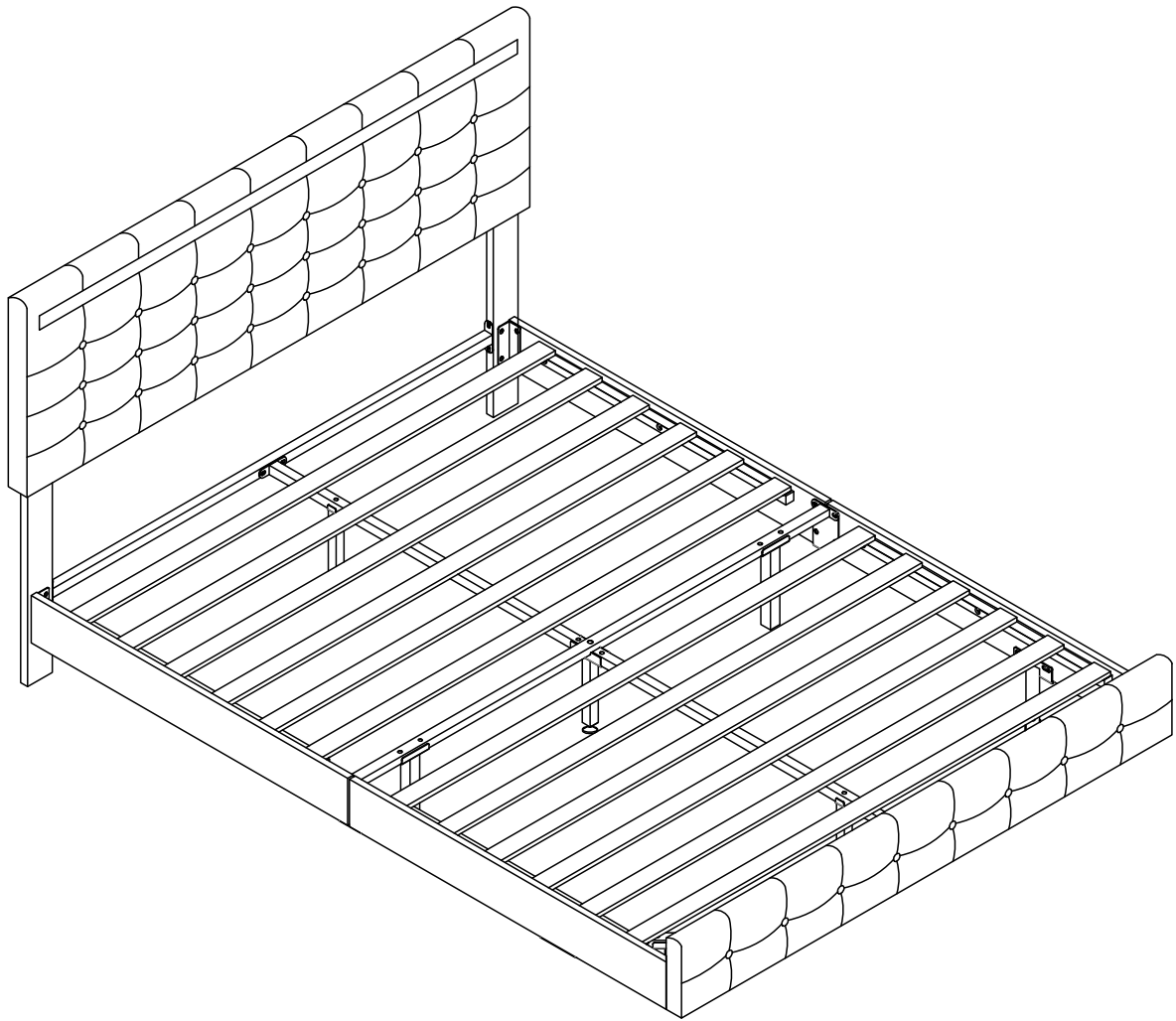


# User's Manual

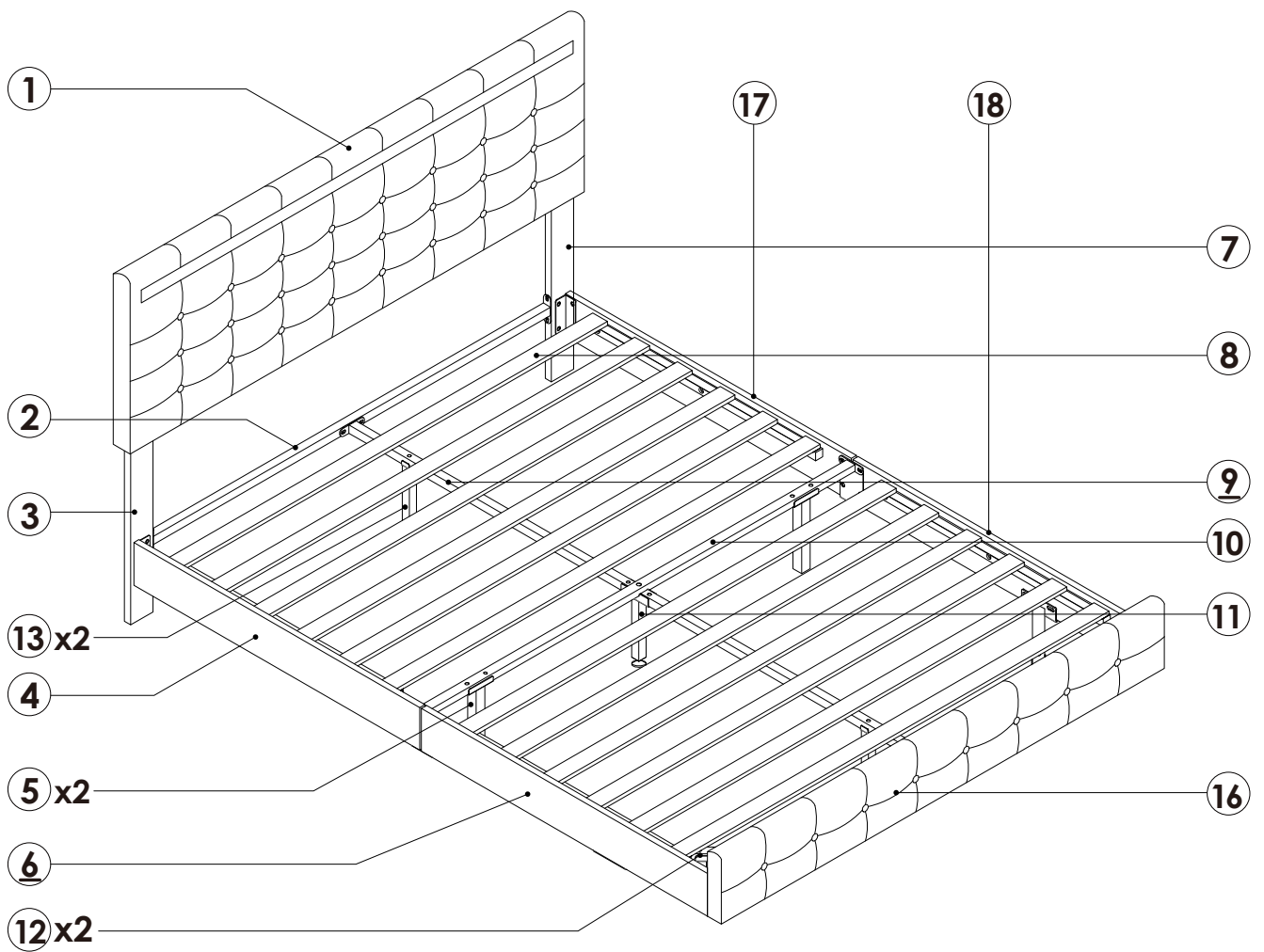
---

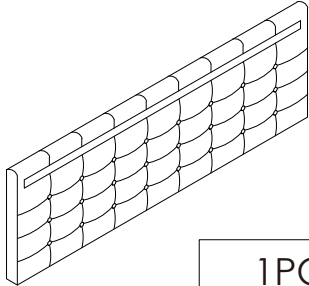
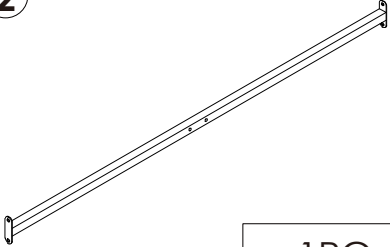

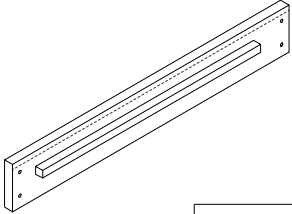
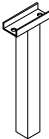
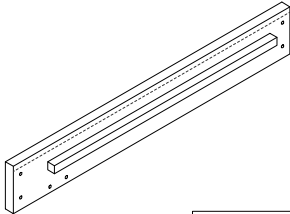

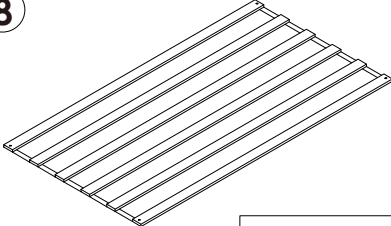
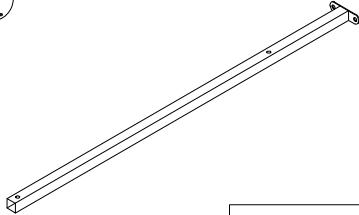
## Bed Frame with Headboard



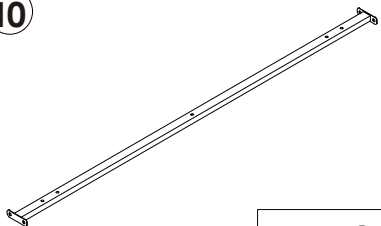
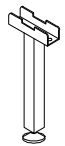
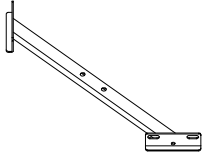

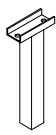
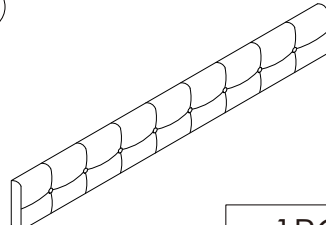
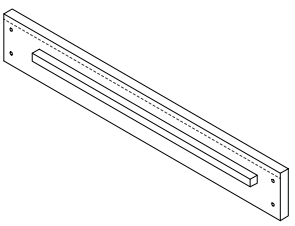
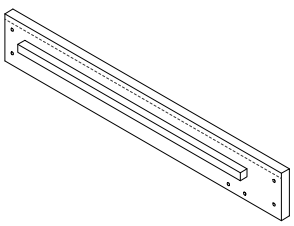
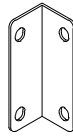
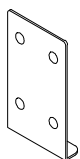
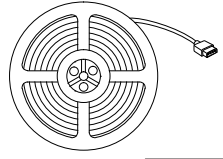
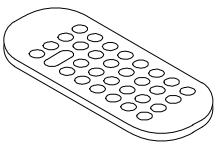
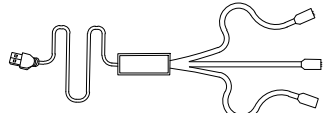
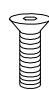
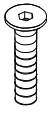
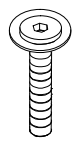
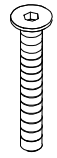

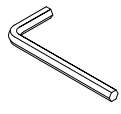
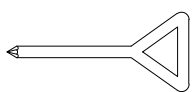

Full / Queen Size

# Assembly Instruction of (Bed)



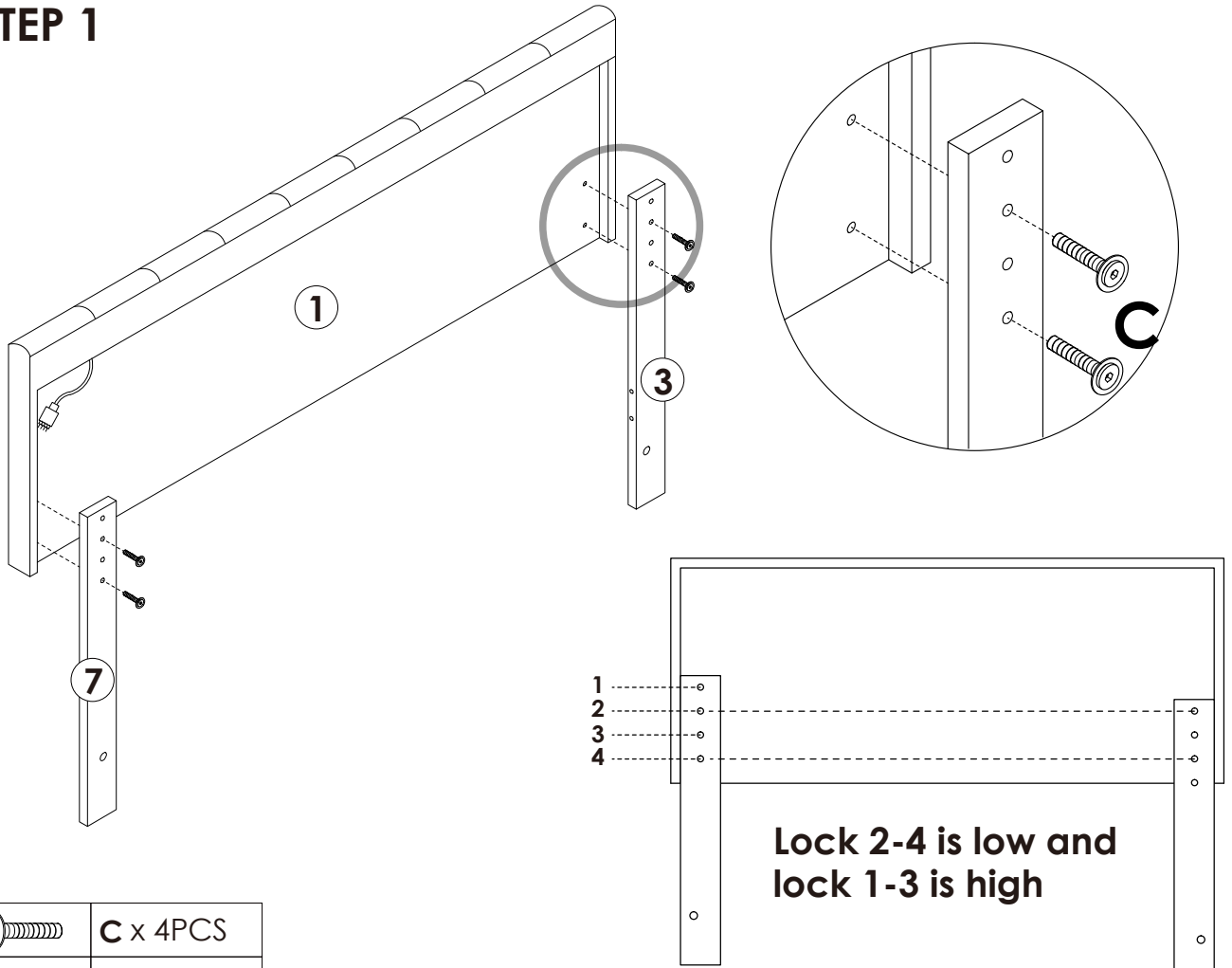
<p>①</p>  <p>1PC</p>	<p>②</p>  <p>1PC</p>	<p>③</p>  <p>1PC</p>
<p>④</p>  <p>1PC</p>	<p>⑤</p>  <p>High</p> <p>2PCS</p>	<p>⑥</p>  <p>1PC</p>
<p>⑦</p>  <p>1PC</p>	<p>⑧</p>  <p>2PCS</p>	<p>⑨</p>  <p>2PCS</p>

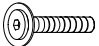

## Assembly Instruction of (Bed)

<b>10</b>  <div style="text-align: right; border: 1px solid black; padding: 2px;">1PC</div>	<b>11</b>  <div style="text-align: right; border: 1px solid black; padding: 2px;">1PC</div>	<b>12</b>  <div style="text-align: right; border: 1px solid black; padding: 2px;">2PCS</div>	
<b>13</b>  <div style="text-align: right; border: 1px solid black; padding: 2px;">2PCS</div>	<b>15</b>  Short <div style="text-align: right; border: 1px solid black; padding: 2px;">2PCS</div>	<b>16</b>  <div style="text-align: right; border: 1px solid black; padding: 2px;">1PC</div>	
<b>17</b>  <div style="text-align: right; border: 1px solid black; padding: 2px;">1PC</div>	<b>18</b>  <div style="text-align: right; border: 1px solid black; padding: 2px;">1PC</div>	<b>19</b>  <div style="text-align: right; border: 1px solid black; padding: 2px;">4PCS</div>	
<b>20</b>  <div style="text-align: right; border: 1px solid black; padding: 2px;">2PCS</div>	<b>22</b> Light bar  <div style="text-align: right; border: 1px solid black; padding: 2px;">2PCS</div>	<b>23</b> Remote control  <div style="text-align: right; border: 1px solid black; padding: 2px;">1PC</div>	
<b>24</b> Power cord  <div style="text-align: right; border: 1px solid black; padding: 2px;">1PC</div>			
<b>A</b>  M8×20mm <div style="border: 1px solid black; padding: 2px;">40+2PCS</div>	<b>B</b>  M8×35mm <div style="border: 1px solid black; padding: 2px;">12+1PCS</div>	<b>C</b>  M8×40mm <div style="border: 1px solid black; padding: 2px;">4PCS</div>	<b>D</b>  M8×60mm <div style="border: 1px solid black; padding: 2px;">1PC</div>
<b>E</b>  M4×25mm <div style="border: 1px solid black; padding: 2px;">8+1PCS</div>	<b>F</b>  M8 <div style="border: 1px solid black; padding: 2px;">1PC</div>	<b>G</b>  <div style="border: 1px solid black; padding: 2px;">1PC</div>	<b>H</b>  Ø8×22mm <div style="border: 1px solid black; padding: 2px;">5+1PCS</div>

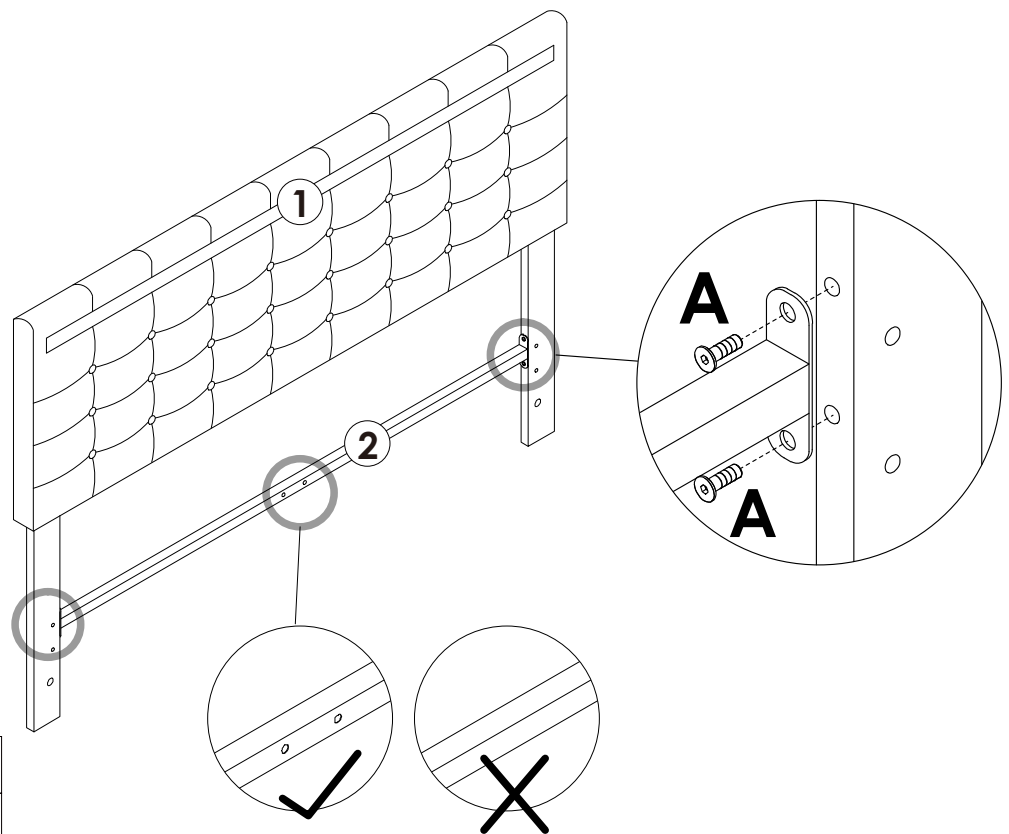
# Assembly Steps(EN) / Montageschritte(DE)



## STEP 1



	<b>C x 4PCS</b>
	<b>F x 1PC</b>

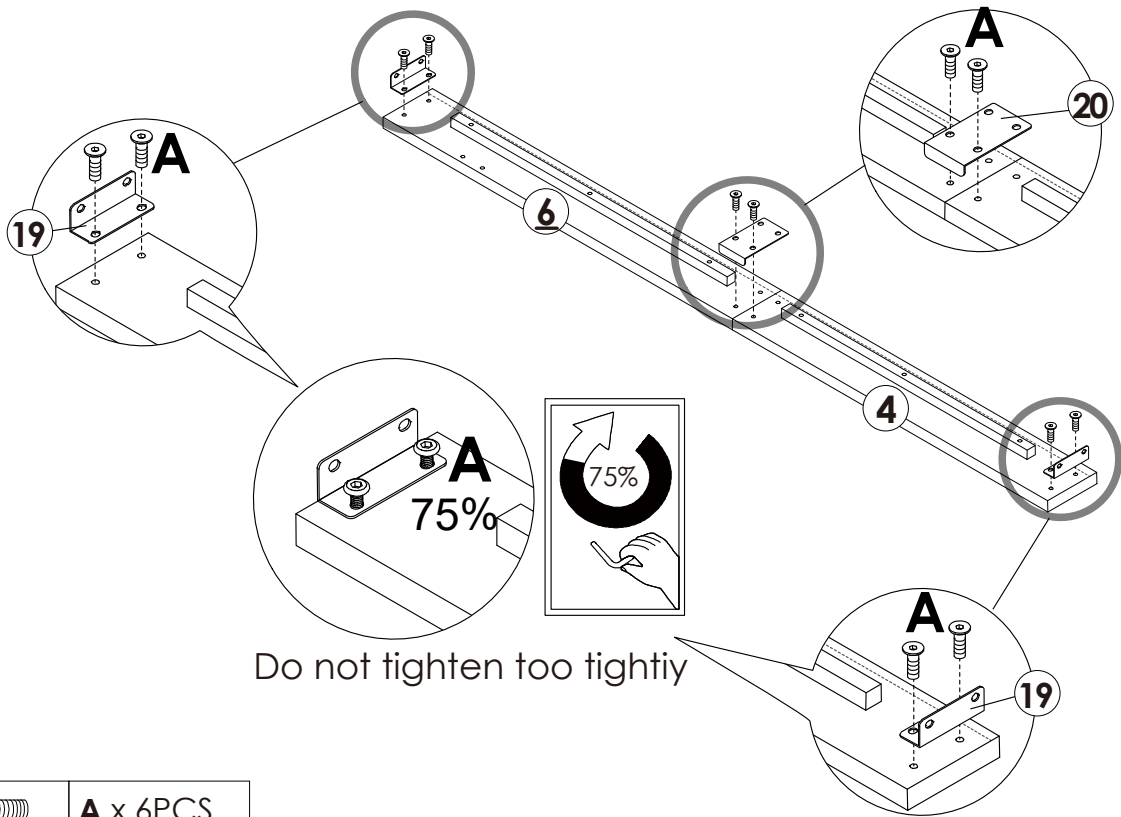
## STEP 2





	<b>A x 4PCS</b>
	<b>F x 1PC</b>

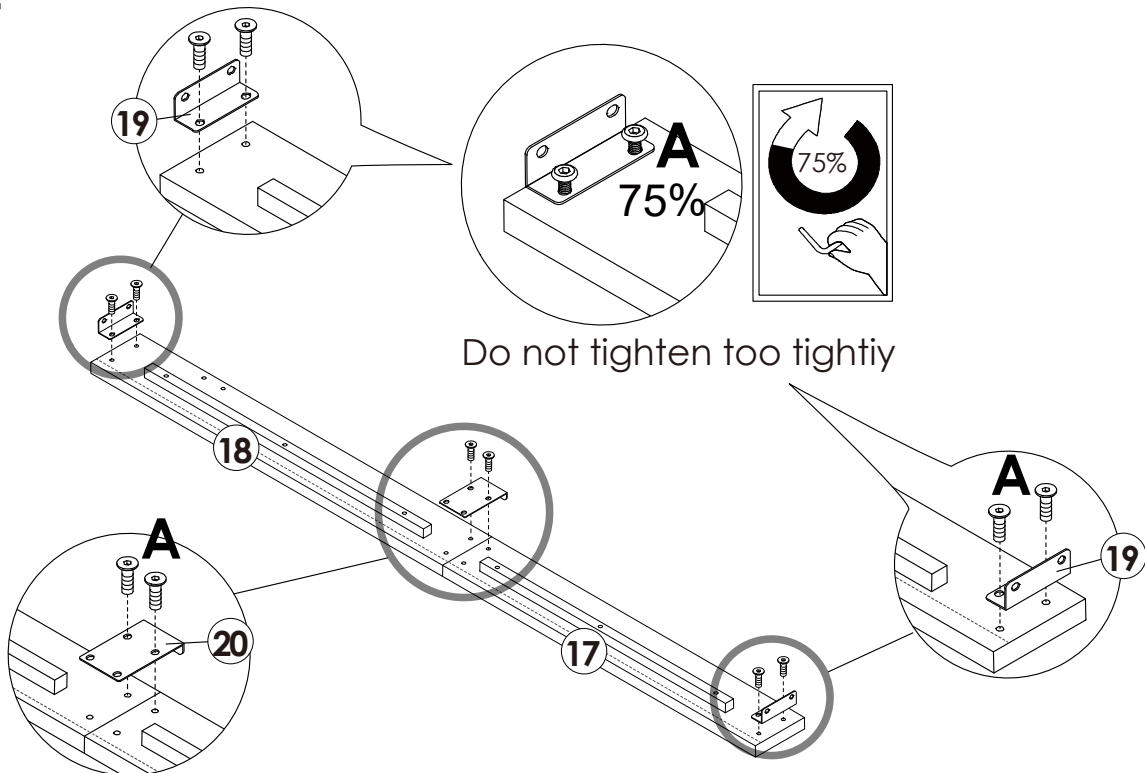
# Assembly Steps(EN) / Montageschritte(DE)

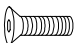

## STEP 3



	A x 6PCS
	F x 1PC

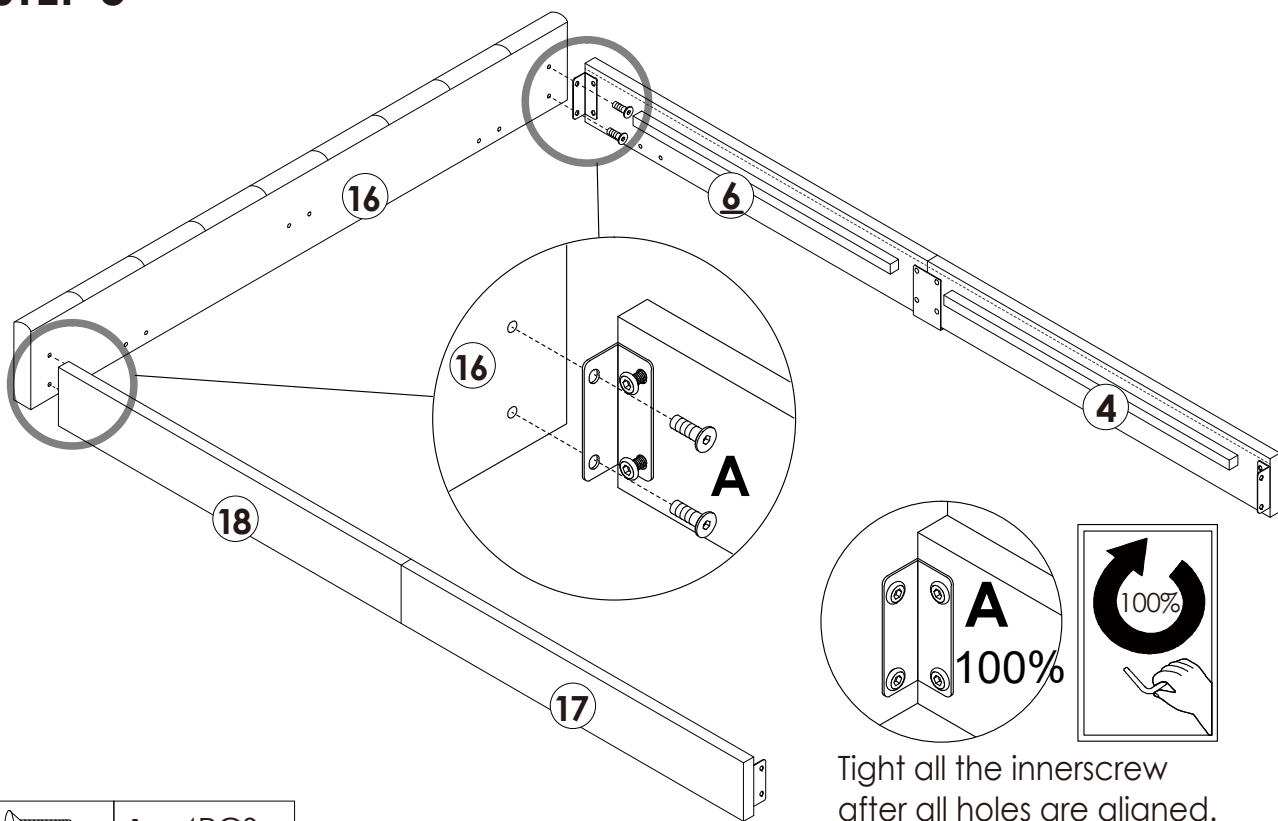
## STEP 4



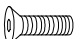
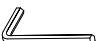
	A x 6PCS
	F x 1PC

# Assembly Steps(EN) / Montageschritte(DE)

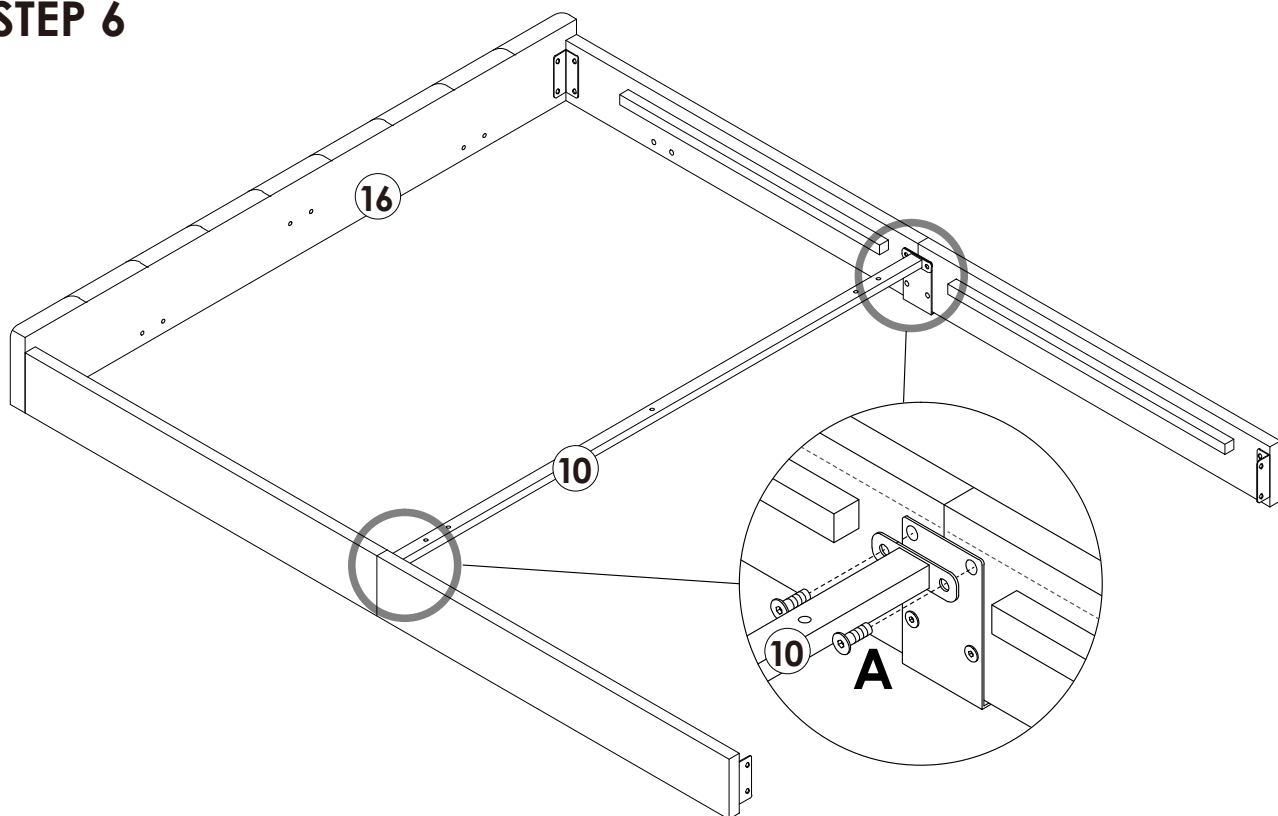
## STEP 5





Tight all the innerscrew after all holes are aligned.

	<b>A</b> x 4PCS
	<b>F</b> x 1PC

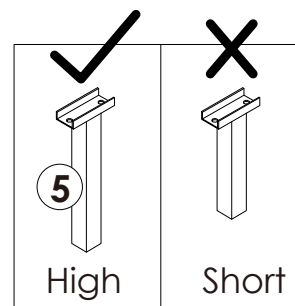
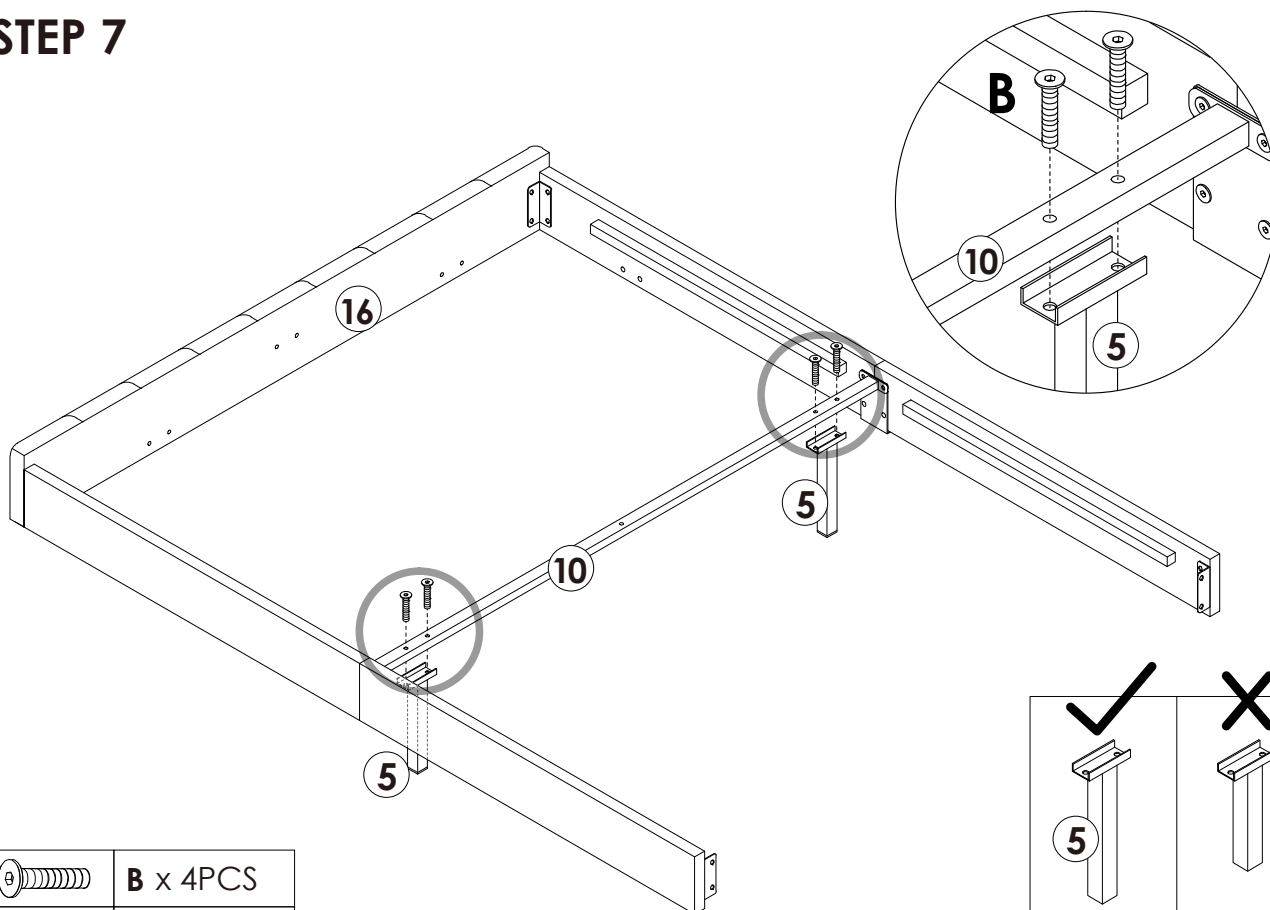
## STEP 6





	<b>A</b> x 4PCS
	<b>F</b> x 1PC

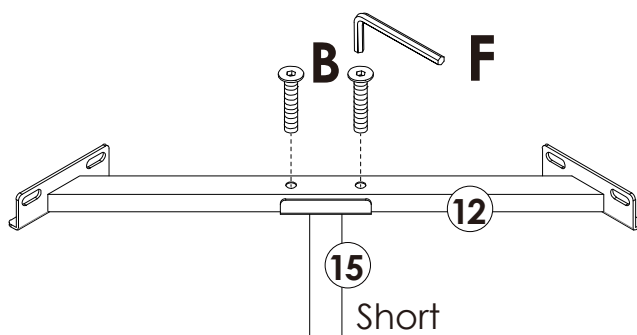
# Assembly Steps(EN) / Montageschritte(DE)

## STEP 7

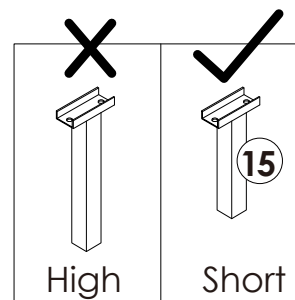


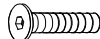

	<b>B</b> x 4PCS
	<b>F</b> x 1PC

## STEP 8



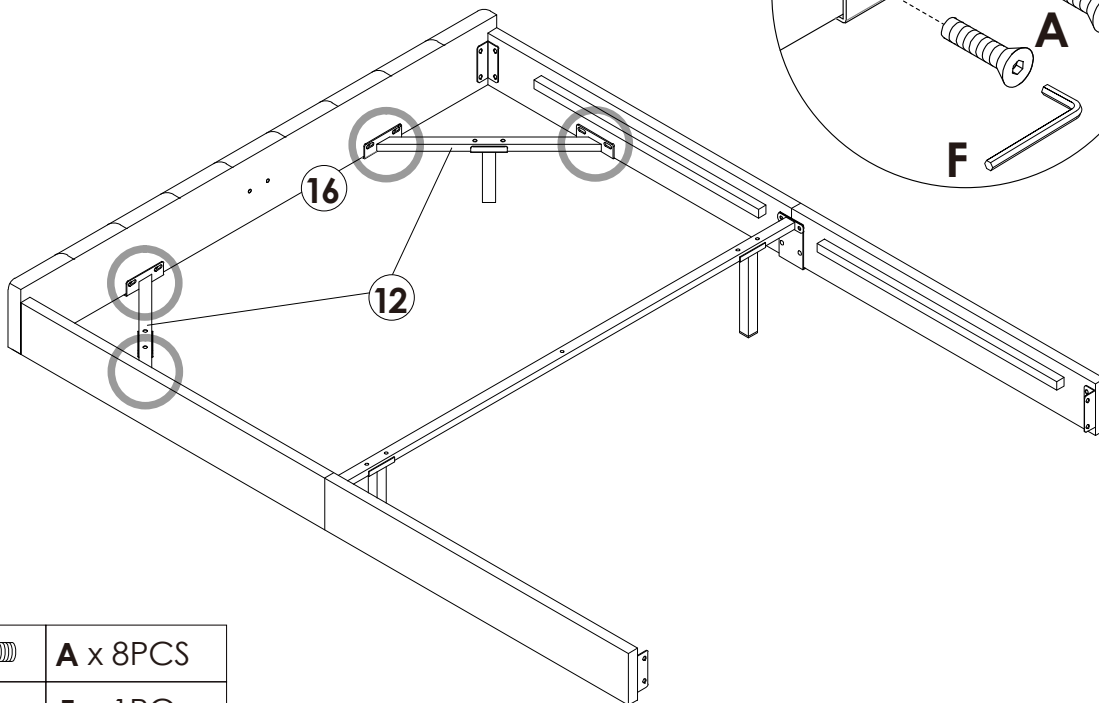
**x2**

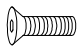



	<b>B</b> x 4PCS
	<b>F</b> x 1PC

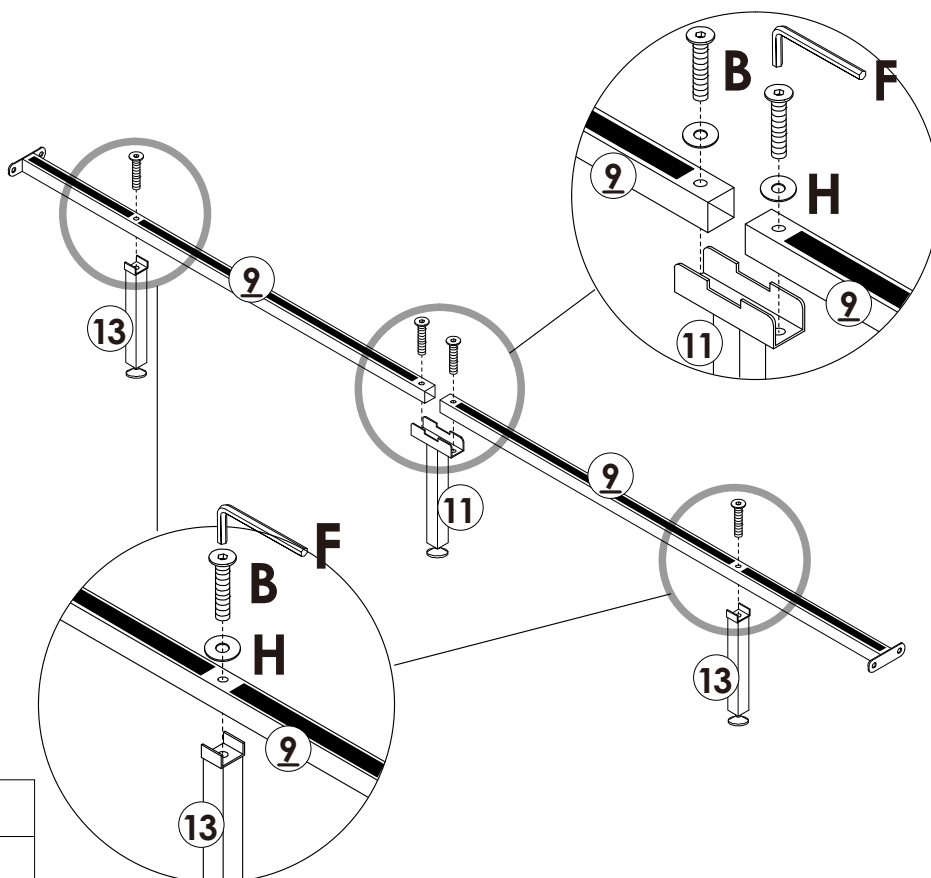
# Assembly Steps(EN) / Montageschritte(DE)

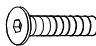


## STEP 9



	<b>A</b> x 8PCS
	<b>F</b> x 1PC

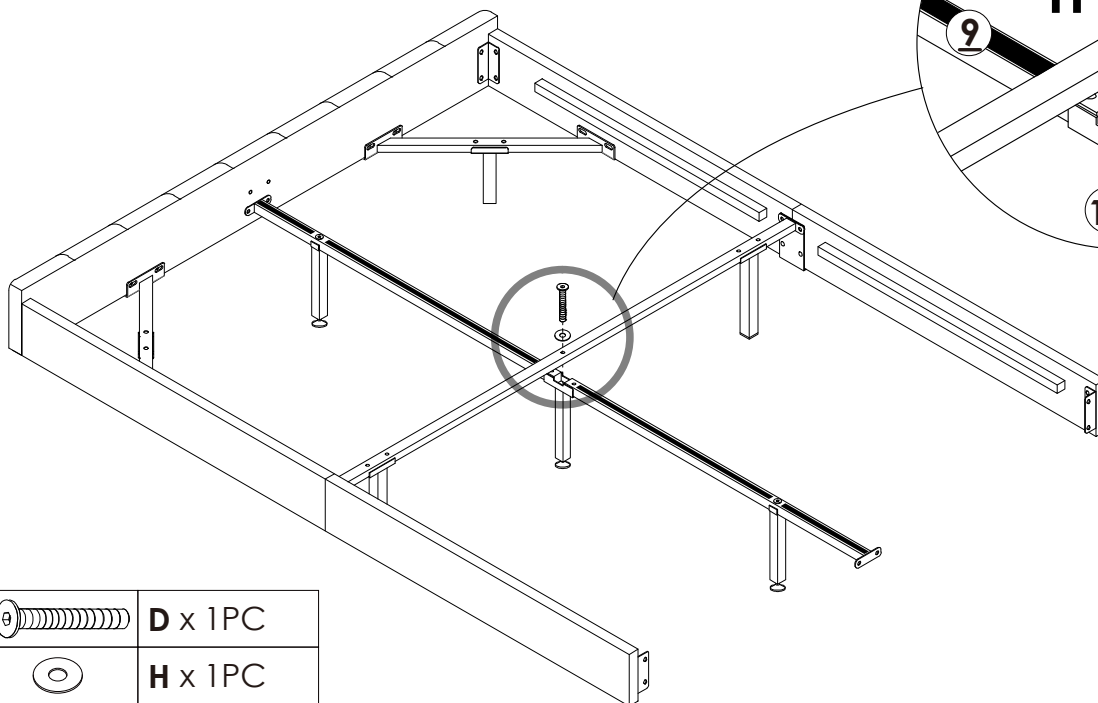
## STEP 10

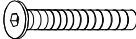




	<b>B</b> x 4PCS
	<b>H</b> x 4PCS
	<b>F</b> x 1PC

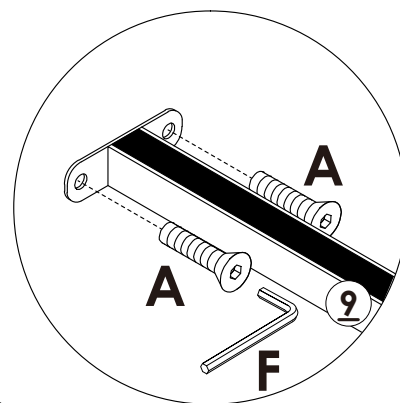
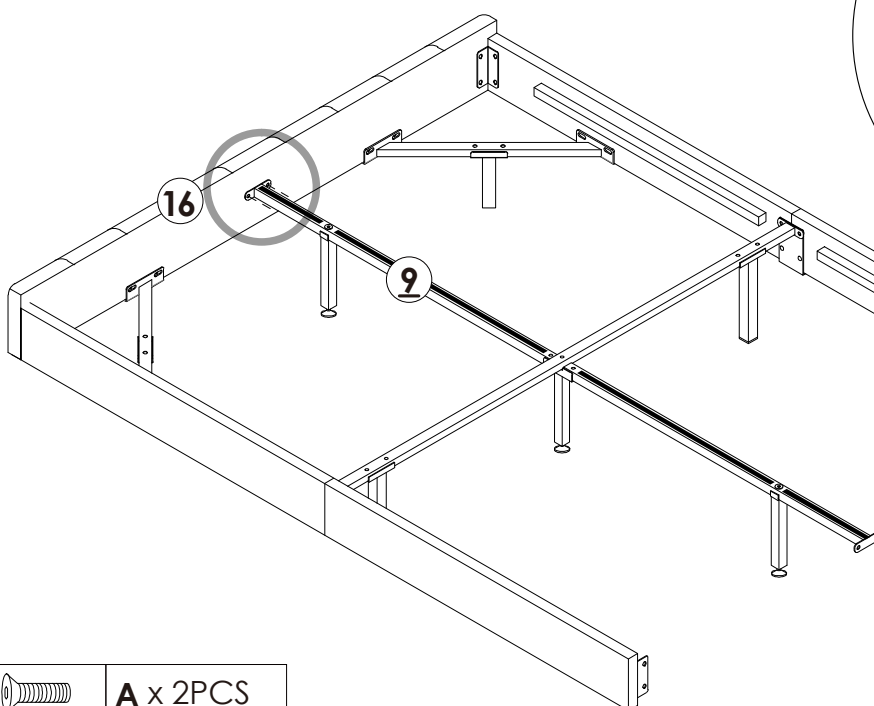
# Assembly Steps(EN) / Montageschritte(DE)

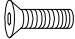

## STEP 11



	<b>D</b> x 1PC
	<b>H</b> x 1PC
	<b>F</b> x 1PC

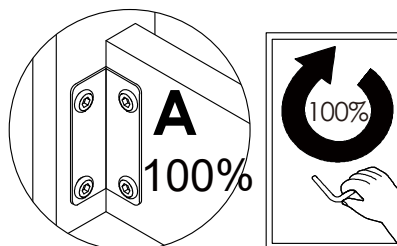
## STEP 12



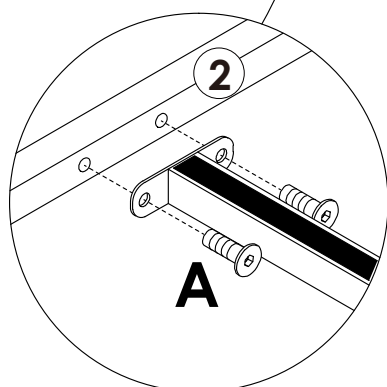
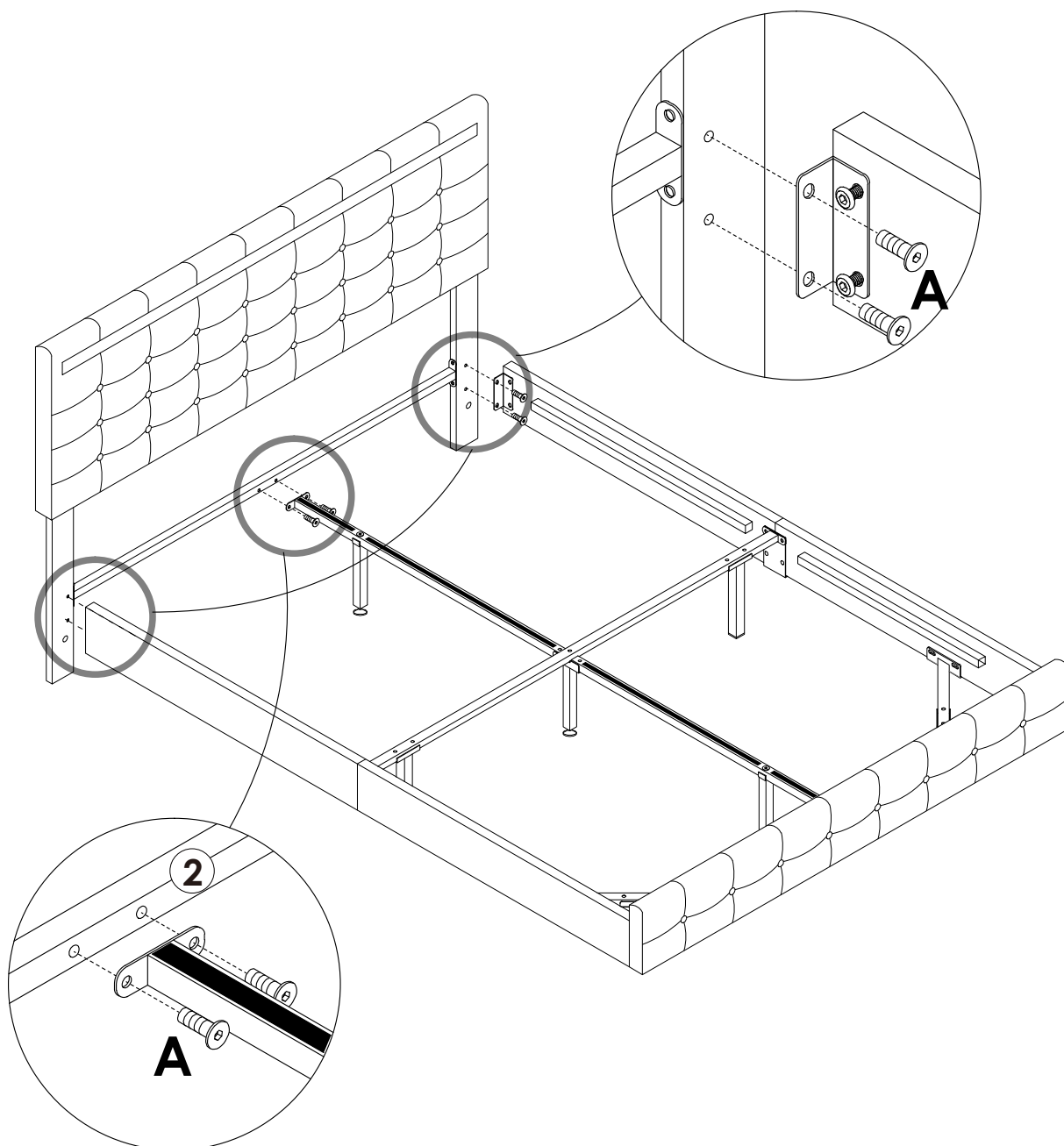
	<b>A</b> x 2PCS
	<b>F</b> x 1PC



# Assembly Steps(EN) / Montageschritte(DE)

## STEP 13



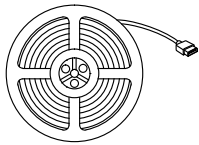
Tight all the innerscrew after all holes are aligned.



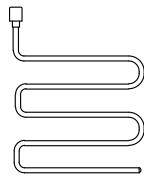
	<b>A</b> x 6PCS
	<b>F</b> x 1PC

# Assembly Steps(EN) / Montageschritte(DE)

## STEP 14

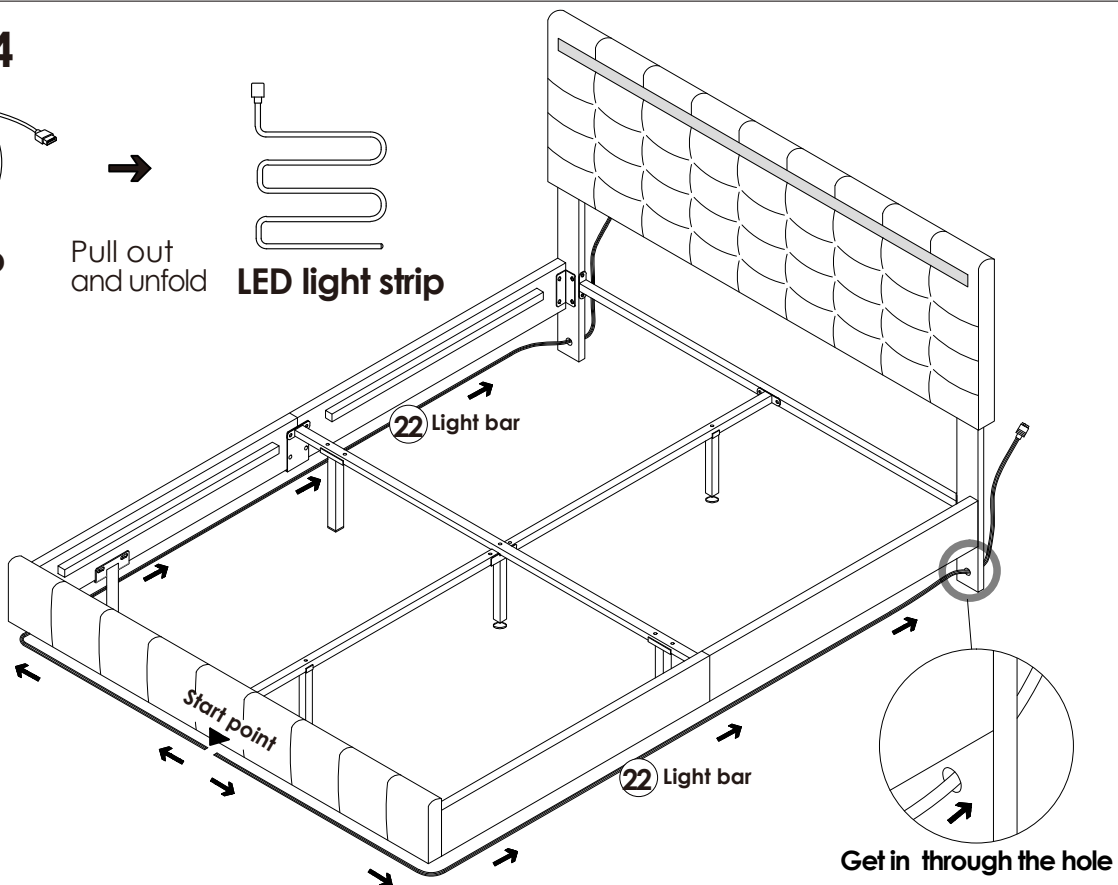


light strip  
x2

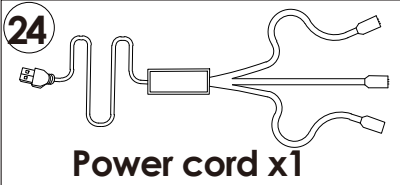


Pull out  
and unfold

LED light strip

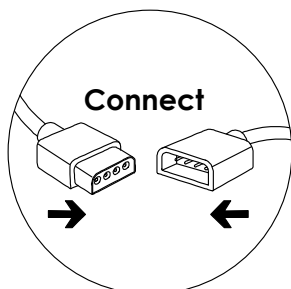


1. One side of the light strip is the luminous surface, and the other side is the **Velcro A**.
2. There are corresponding **Velcro B** on the side and bottom of the bed, which can be firmly bonded.
3. Start attaching the light strip from the middle of the bed end.



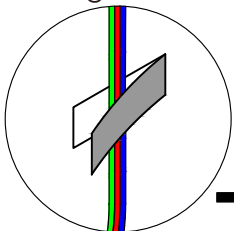
Power cord x1

The usb socket must be connected to a power source to use the light

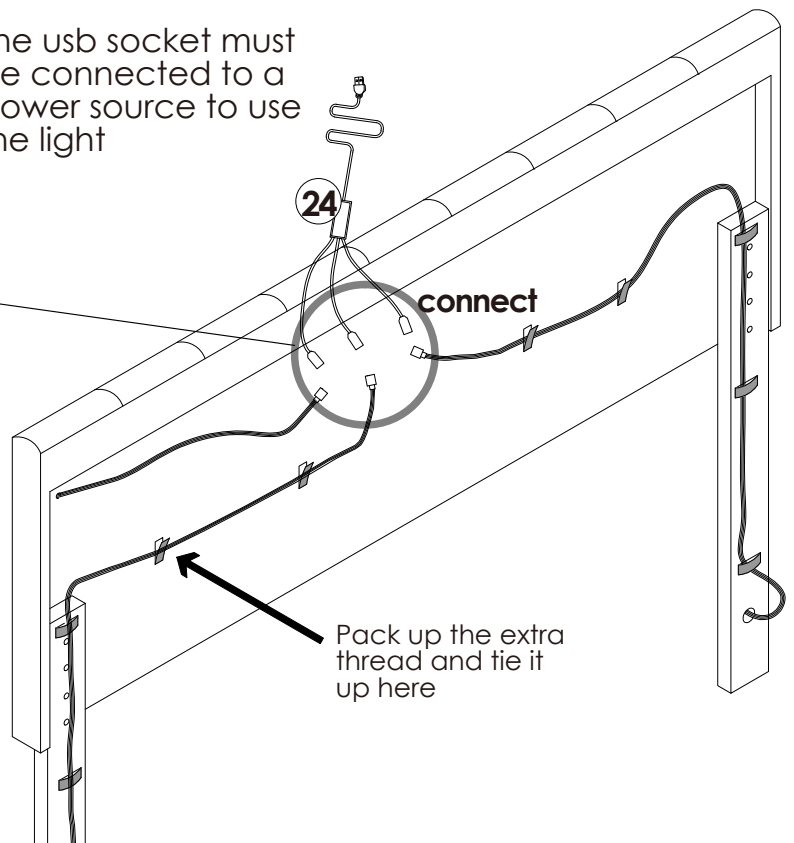
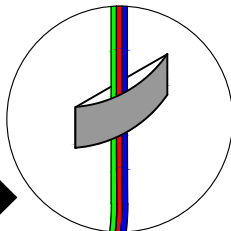


The arrow should be facing the arrow

Clip in the harness  
Magic Band

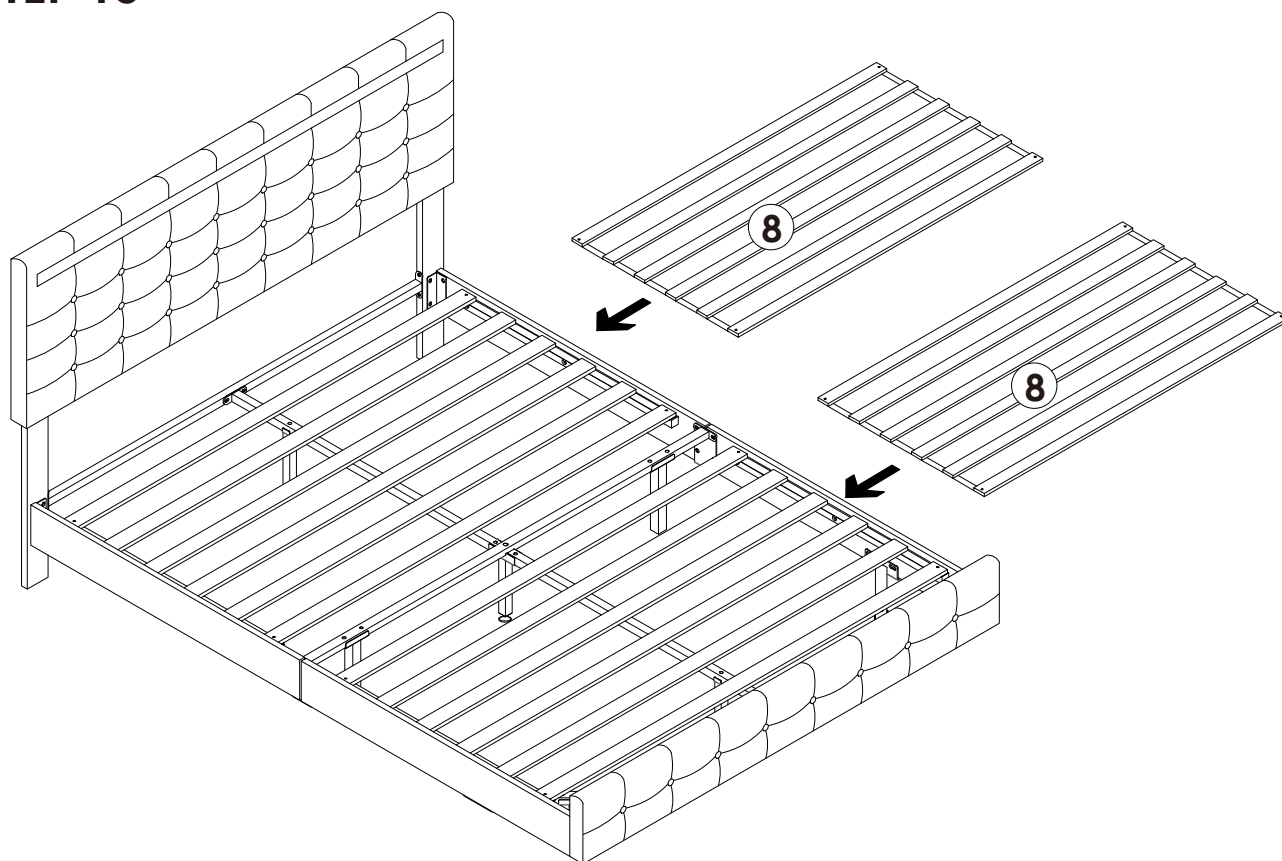


Stick to

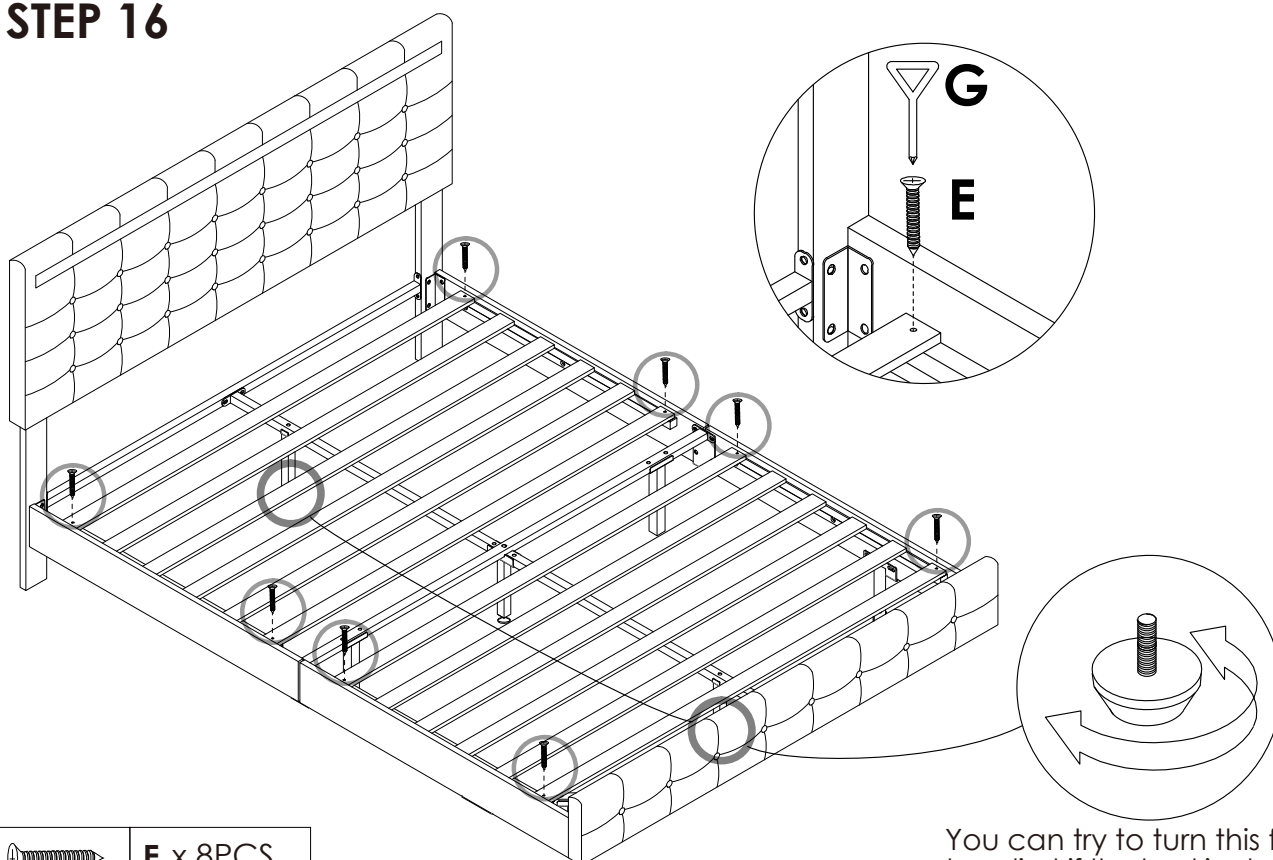


# Assembly Steps(EN) / Montageschritte(DE)

## STEP 15



## STEP 16

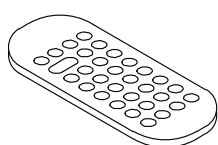
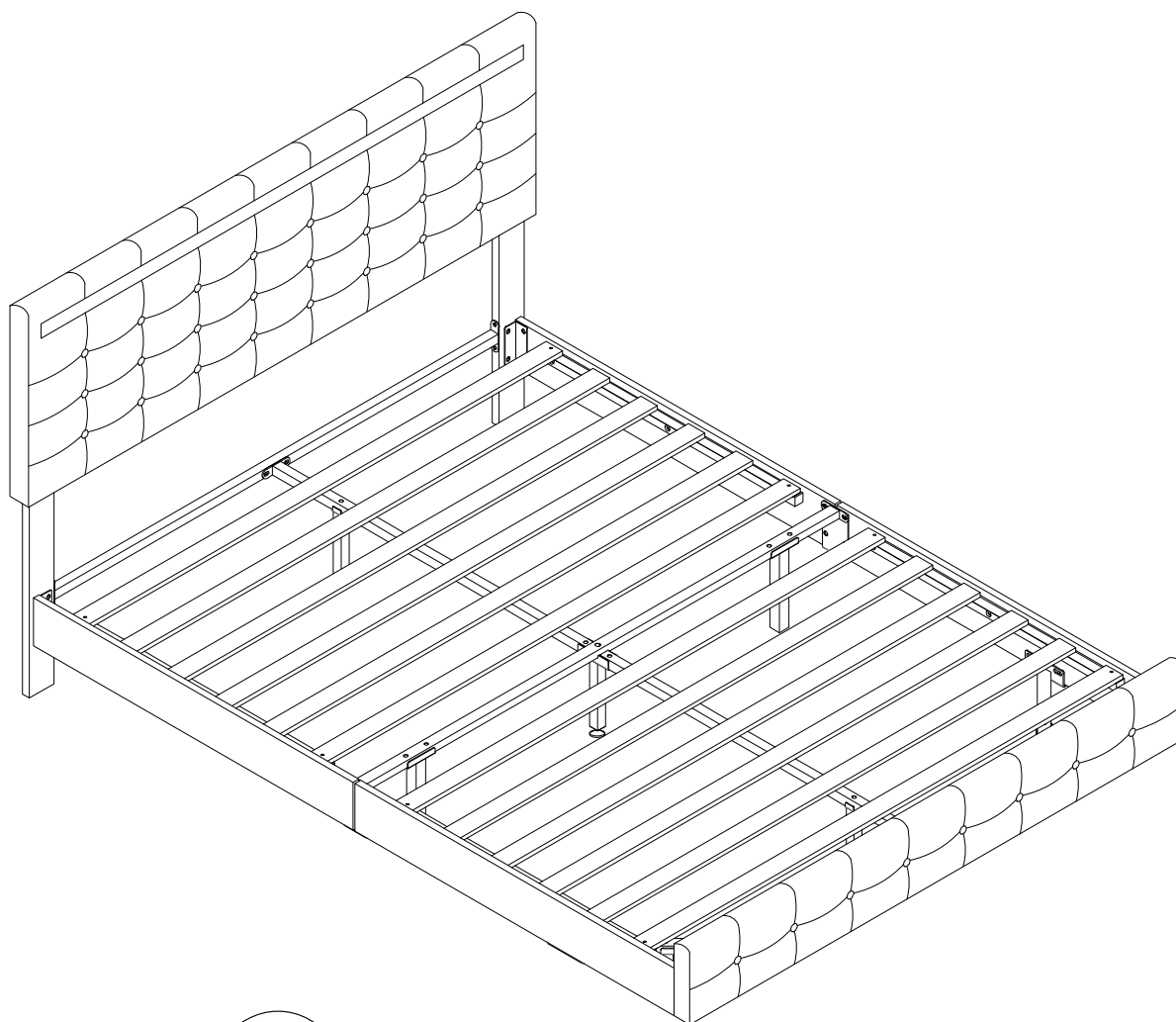


 **E x 8PCS**

 **G x 1PC**

You can try to turn this foot to adjust if the bed is placed on an uneven floor.

## STEP 17



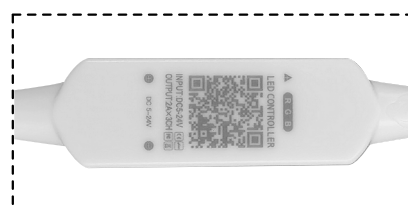
### Remote control

You can use the remote control to control the light. The LED lamp can only be used after the power supply is connected

Please scan the QR code on the manual/controller and install the application.

Step1: Please make sure your phone has Bluetooth enabled.

Step2: The LED light will automatically connect to the APP.



*Thanks Gracias!*