






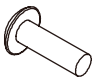













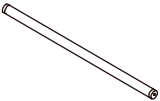
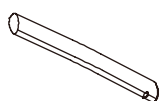
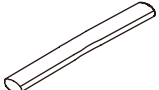

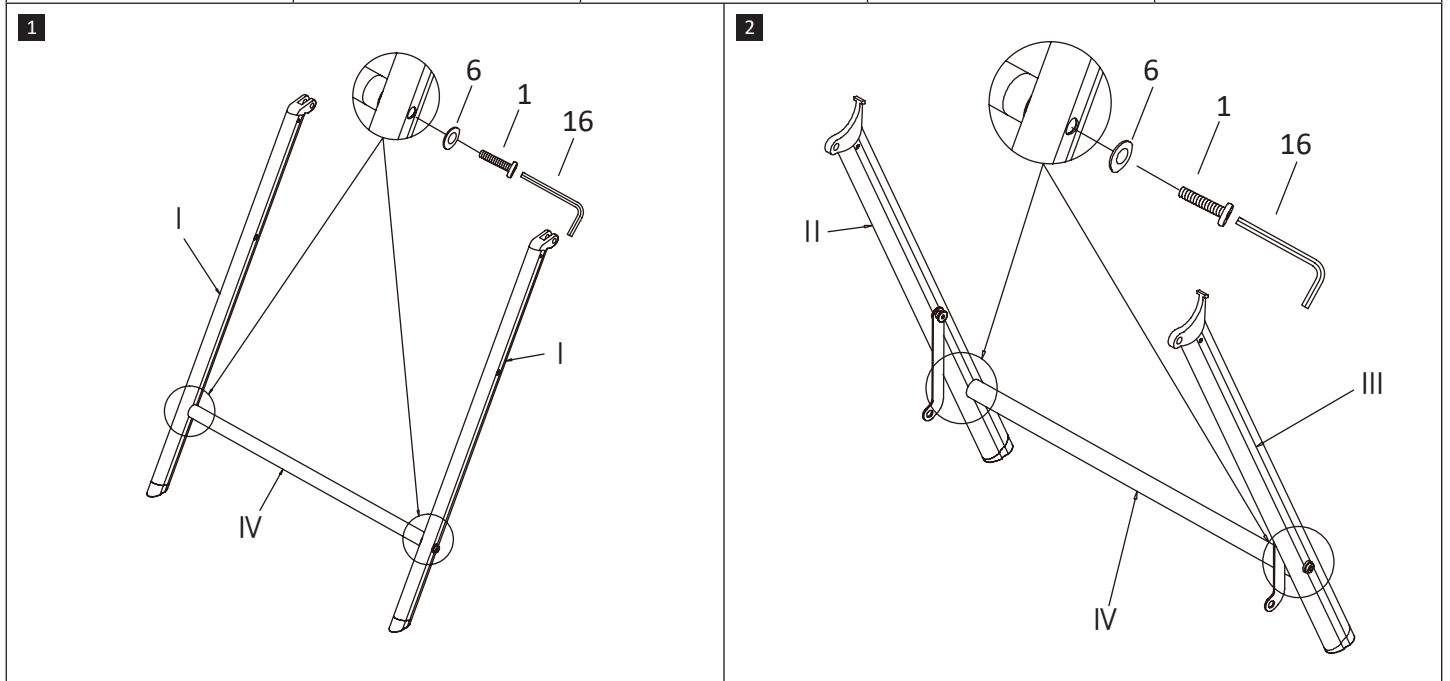
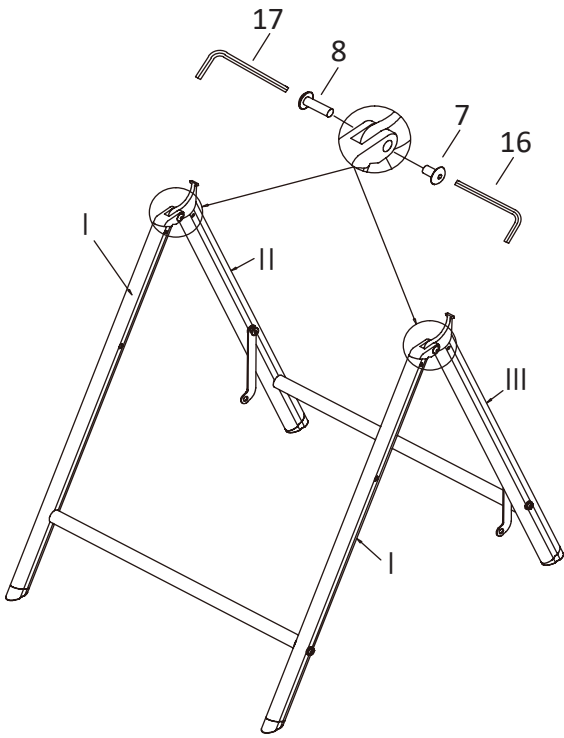


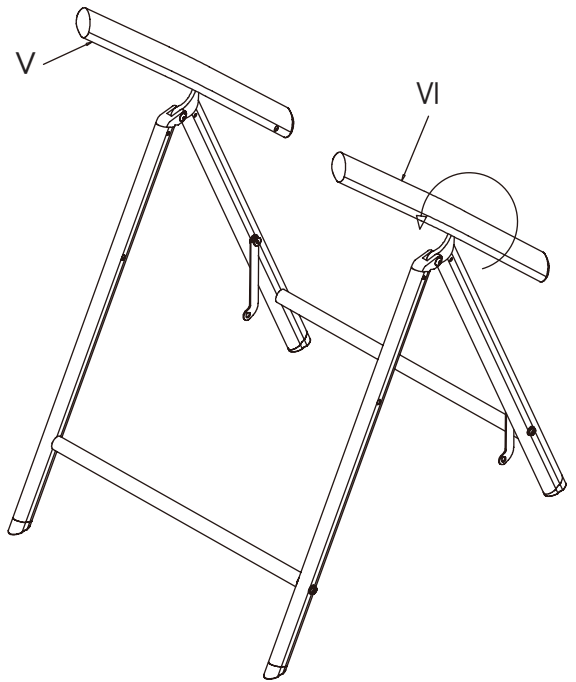
1 4pcs  M6x $\frac{30}{1.2}$	2 2pcs  M8x $\frac{80}{3.1}$	3 2pcs  M6x $\frac{70}{2.8}$	4 2pcs  M8x $\frac{60}{2.4}$	5 2pcs  $\Phi 8.4 \times \Phi 16 \times \frac{1}{0.04}$
6 6pcs  $\Phi 6.4 \times \Phi 12 \times \frac{1}{0.04}$	7 2pcs  M6x $\frac{10}{0.4}$	8 2pcs  $\Phi 8 \times M6 \times \frac{19}{0.7}$	9 2pcs  $\Phi 24.3 \times \frac{23.5}{0.9}$	10 2pcs  M8
11 2pcs  $\Phi 8.5 \times \Phi 16 \times \frac{16.5}{0.6}$	12 2pcs  $\Phi 8.5 \times \Phi 16 \times \frac{4}{0.2}$	13 2pcs  	14 2pcs  $\Phi 15.5 \times \frac{5}{0.2}$	15 2pcs  $\Phi 6.5 \times \Phi 16 \times \frac{7}{0.3}$
16 1pc  M6	18 1pc 	I 2pcs 	II 1pc 	III 1pc 
17 1pc  M8		IV 2pcs 	V 1pc 	VI 1pc 
				VIII 1pc 



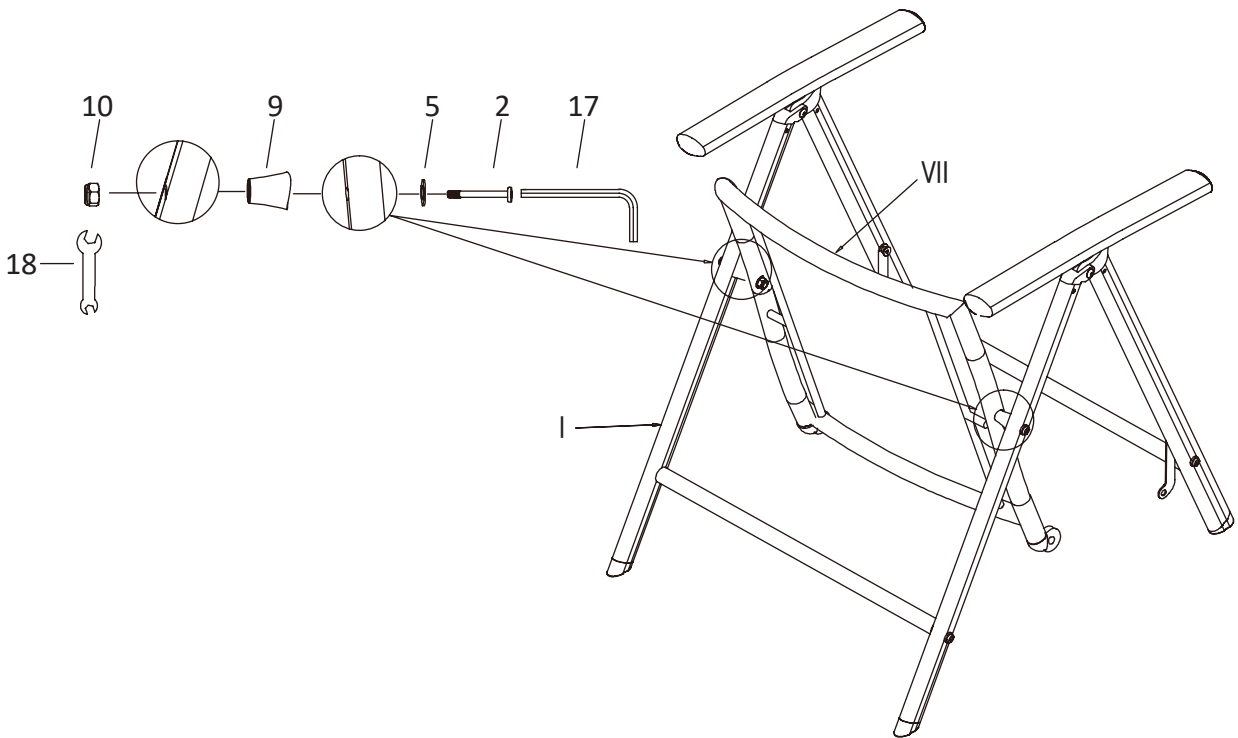
3



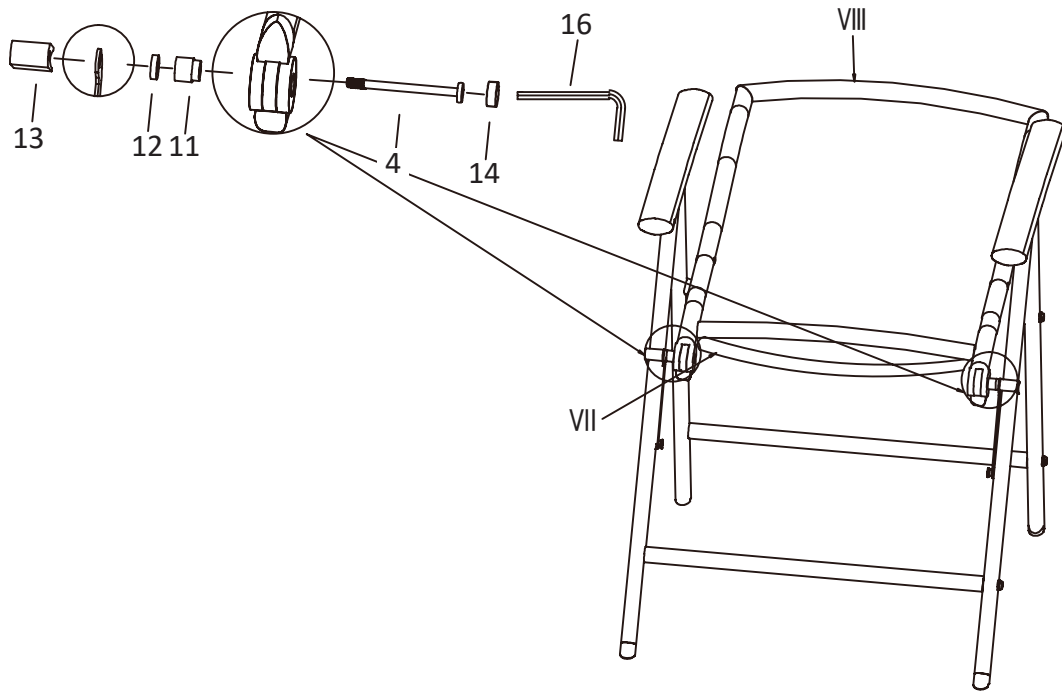
4



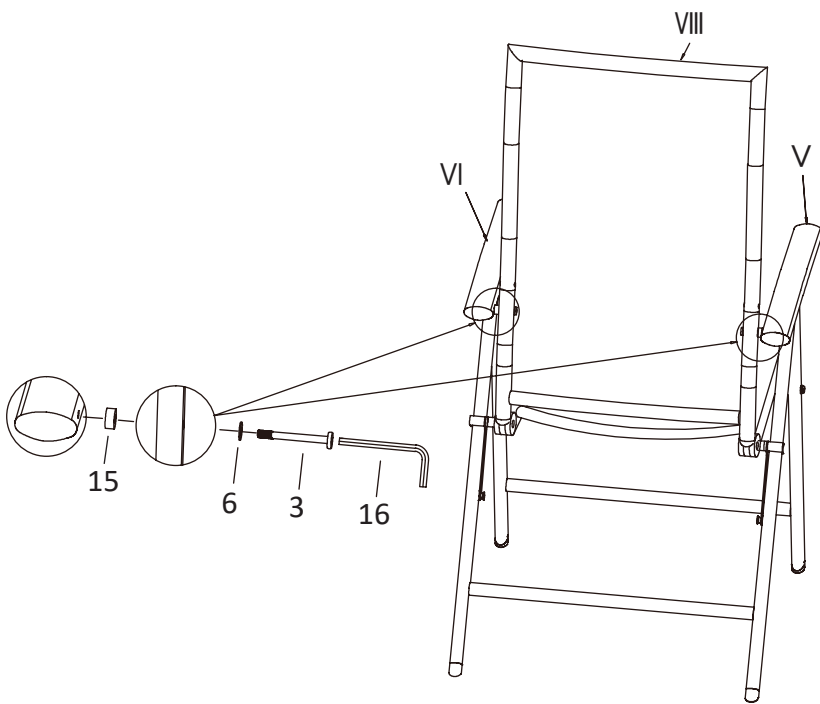
5



6



7



8

