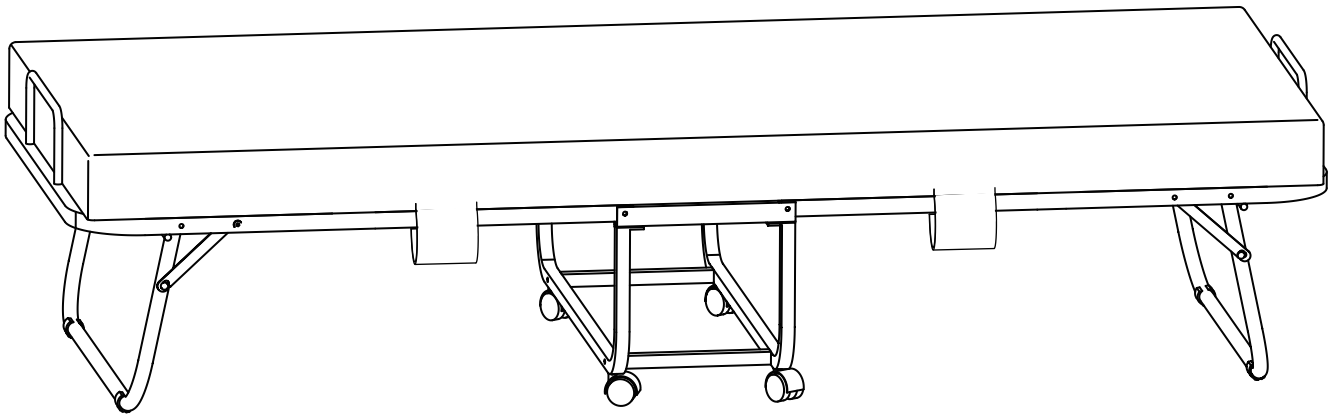


# ASSEMBLY INSTRUCTIONS

---

SKU# DJ1047WTBK



**⚠ SAFETY TIPS:**

Static charge may cause dust on foam-clean with a dry or damp cloth. Small foam strands may be present-handle gently and dispose of properly. Do not burn or incinerate. Check local recycling guideline.

安装视频二维码

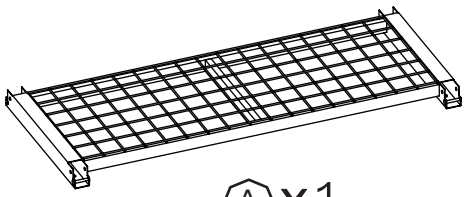
Have an assembly question or need a replacement part?  
Please contact with our customer service.

# Warnings

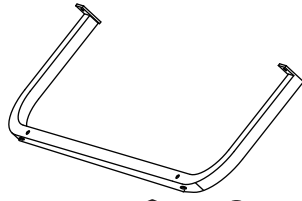
## Important reminder:

- ⚠ Please sort and check all accessories before assembly.
- ⚠ Place the product on an empty cardboard box or on carpet to prevent scratches.
- ⚠ Please use proper tools for assembly. Using an electric screwdriver can accelerate the assembly speed, but please do not overtighten the screws.
- ⚠ Please follow the assembly steps and do not skip any of them.
- ⚠ If possible, please find a partner to help you with assembly, which can accelerate assembly.
- ⚠ Keep all small parts of this product away from children. They may cause serious injury.
- ⚠ We hope you can retighten the screws 2 weeks after assembly, and check the tightening procedure of the screws every 3 months.  
If you meet any difficulty, our friendly customer team are always ready to help you.

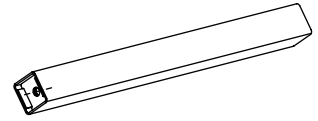
# Parts List



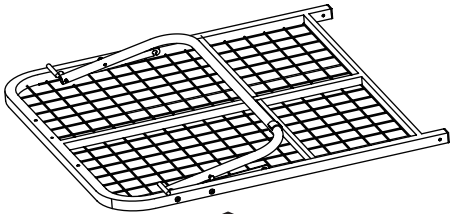
A X1



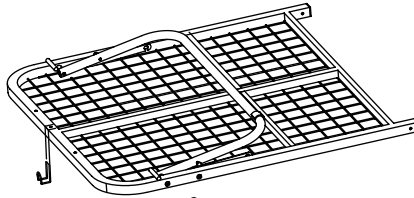
B X2



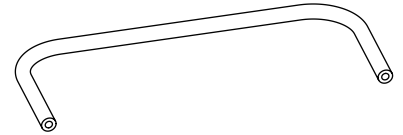
C X2



D X1



E X1



F X2

Open packing bag, leave the mattress to expand. Sometimes it only takes a few hours, but other times it can take up to 48 hours to fully expand.

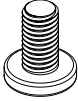

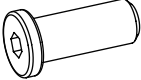
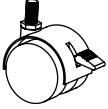
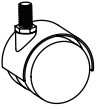
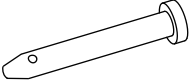







G X1

## Mattress recovery schedule

Recovery time	Recovery ratio
1 hour	90 %
3 hours	94 %
24 hours	97 %
48 hours	98 %

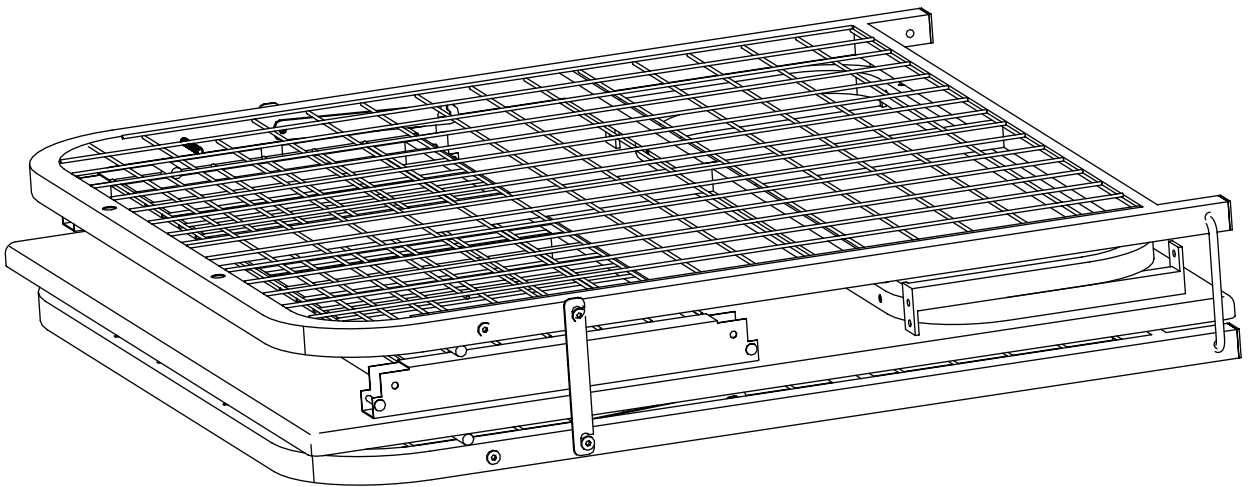
## Hardware List

No.	Code	Diagram	Description	Quantity	Spare
1	①		M6 x 12	8	1
2	②		M6 x 35	4	1
3	③		M6 x 16	2	1
4	④			2	
5	⑤			2	
6	⑥			4	
7	⑦			4	1
8	T		4mm	1	
9	T		5mm	1	
10	T			1	
11	T		12-14	1	

**THE SPARE BAG INCLUDED EXTRA HARDWARE FOR DAMAGED OR MISSING SMALL HARDWARE WHILE YOU ARE ASSEMBLING**

# Assemble

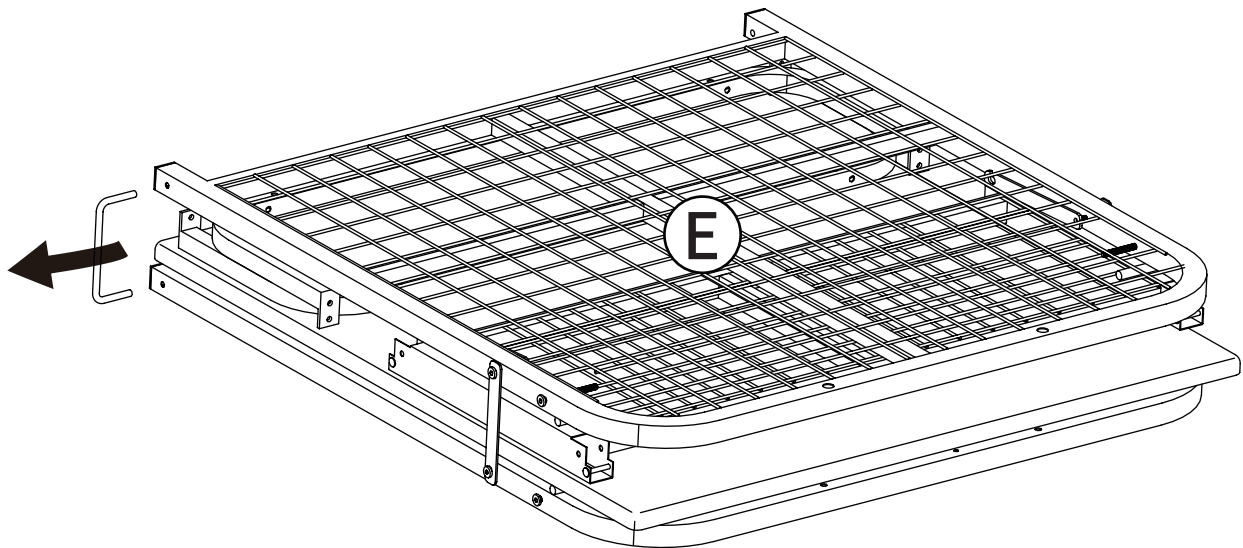
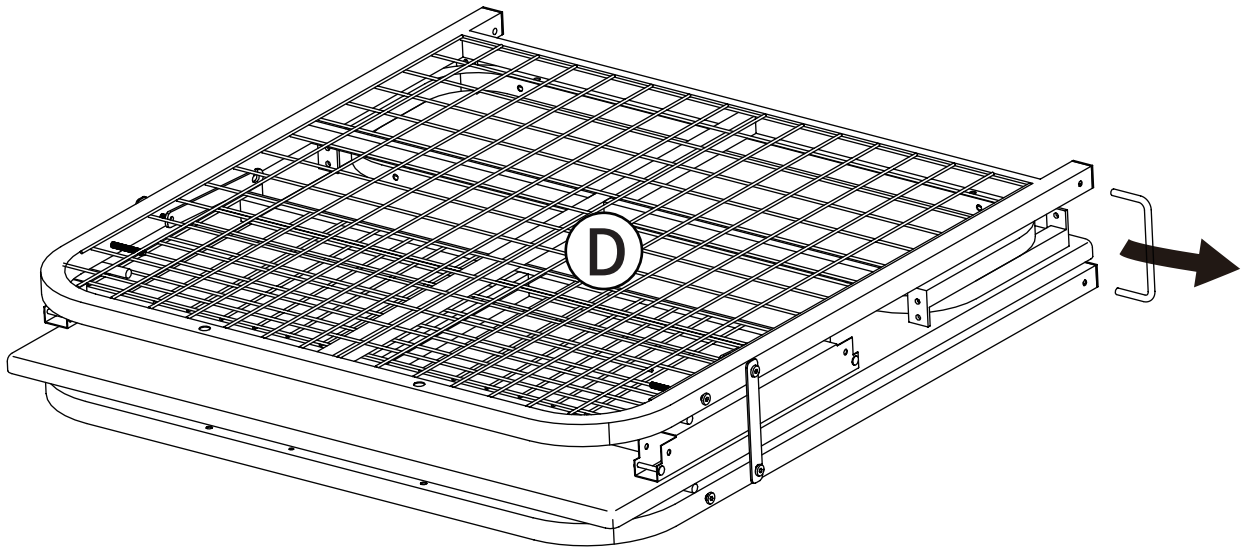
## Step 1



Open the cardboard box and remove the components.  
The components removed from Step 2 to Step 4 are only  
used for fixing the package.

# Assemble

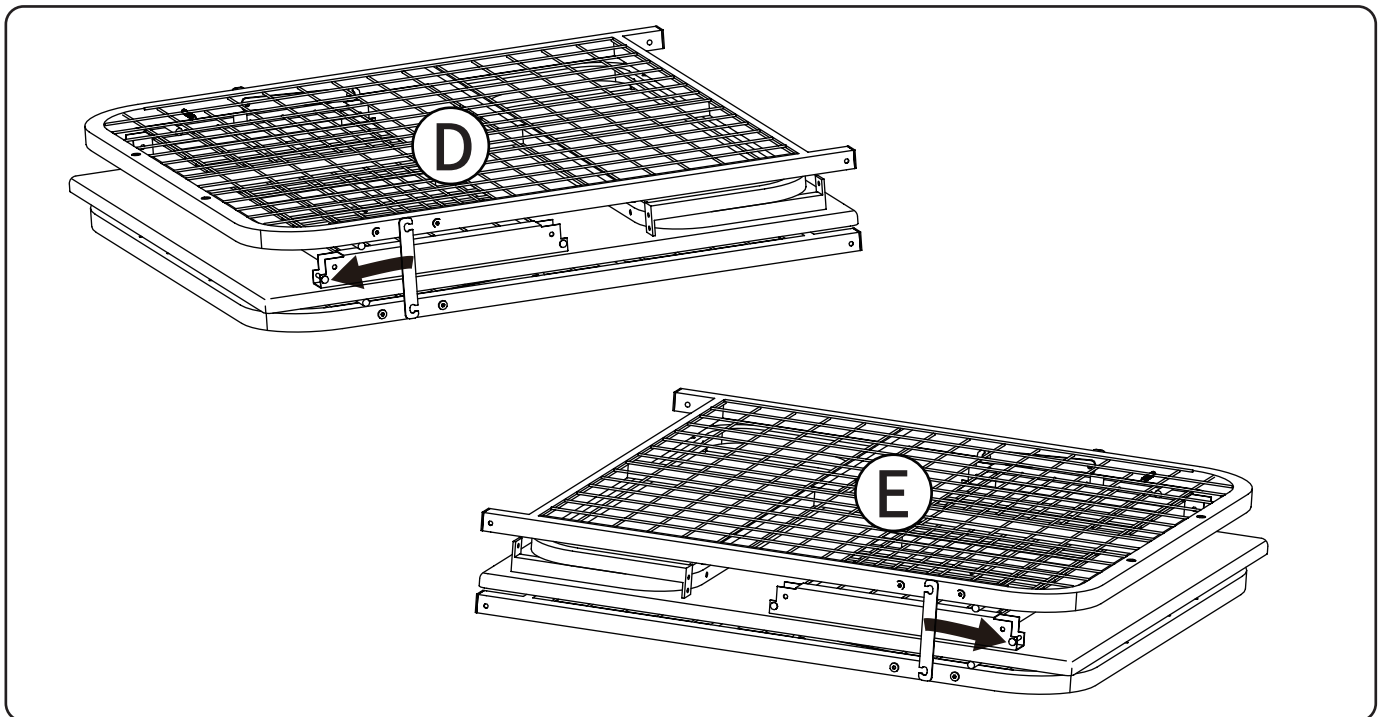
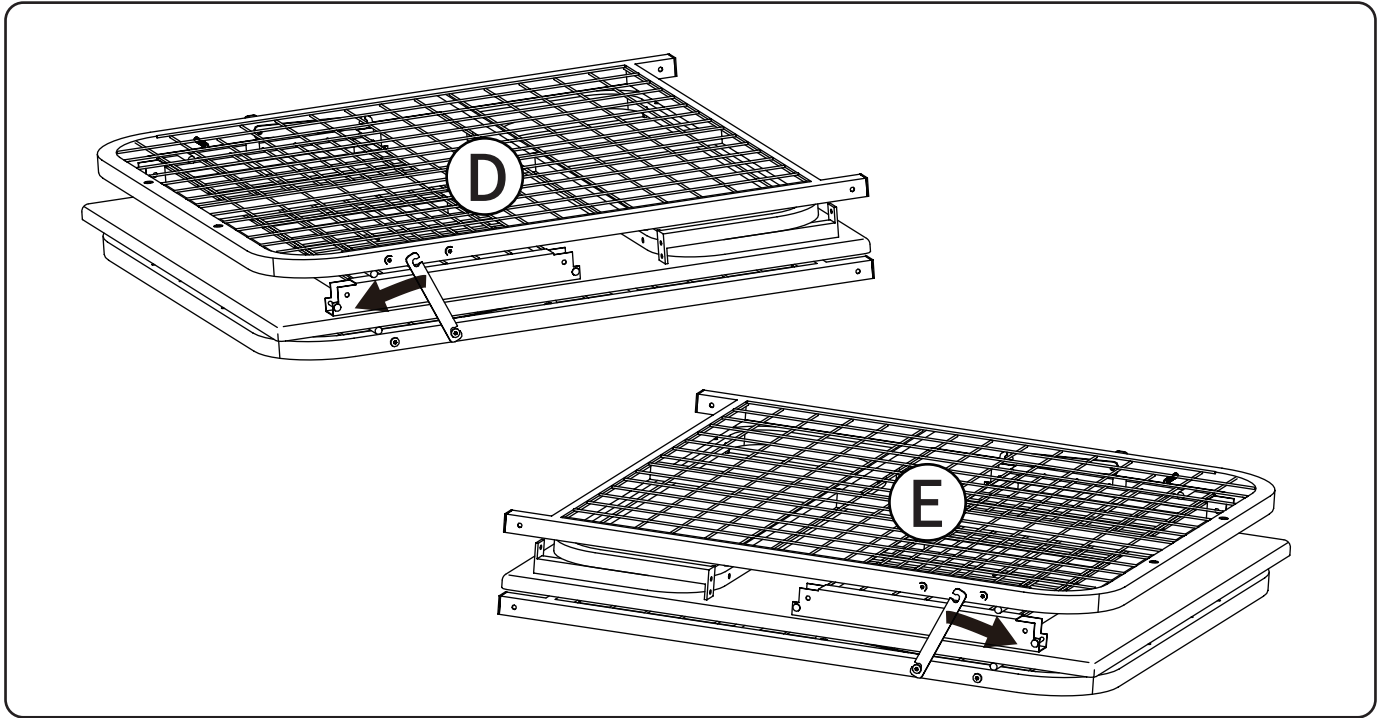
## Step 2



As shown in the figure, pull out the metal parts holding Part "D" and Part "E" firmly in the direction of the arrow.

# Assemble

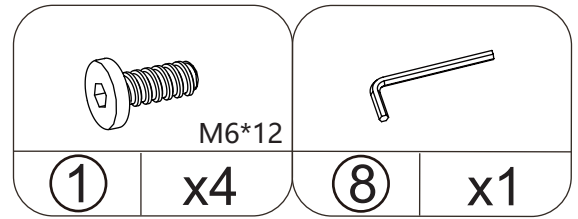
## Step 3



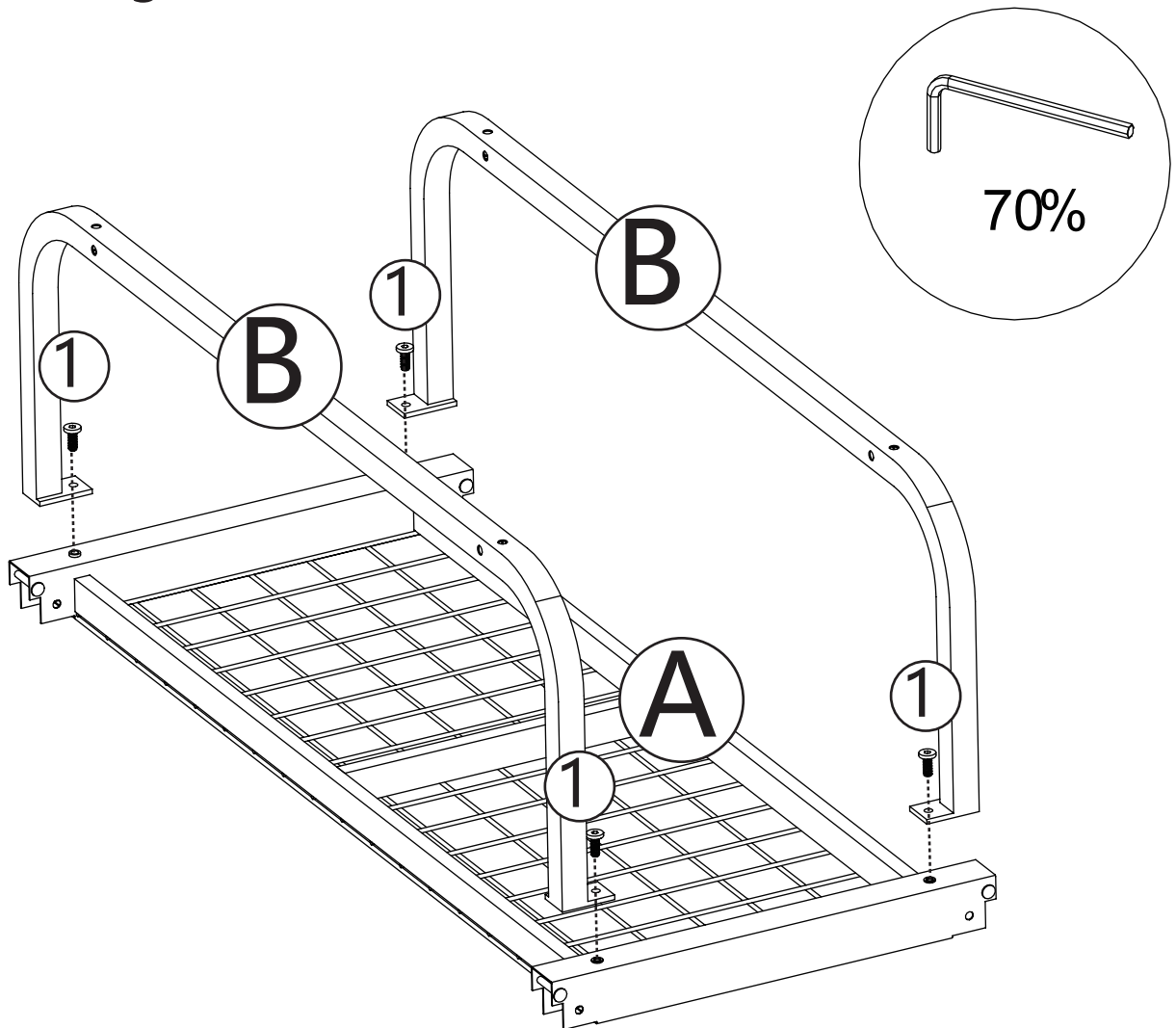
As shown in the picture, remove the metal pieces holding the sides of Part "D" and Part "E" in the direction of the arrows.

# Assemble

## Step 4

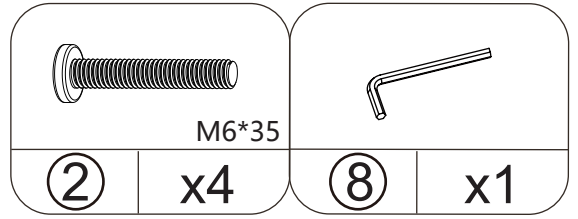


Connect Part "B" to Part "A" and fixing them with four Screws "1", tightening level is about 70%.

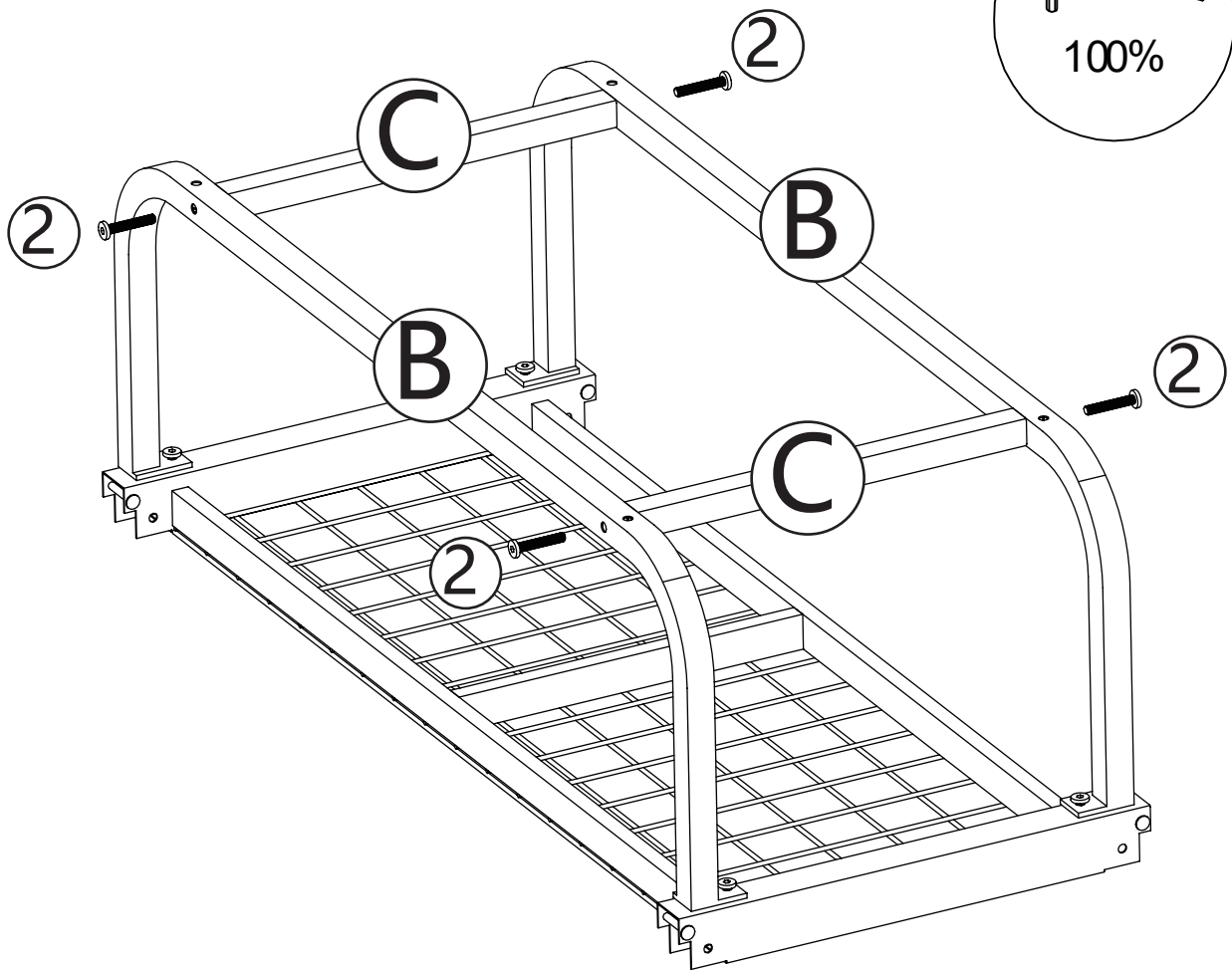


# Assemble

## Step 5

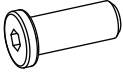
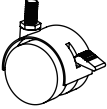
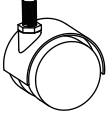
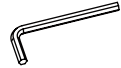



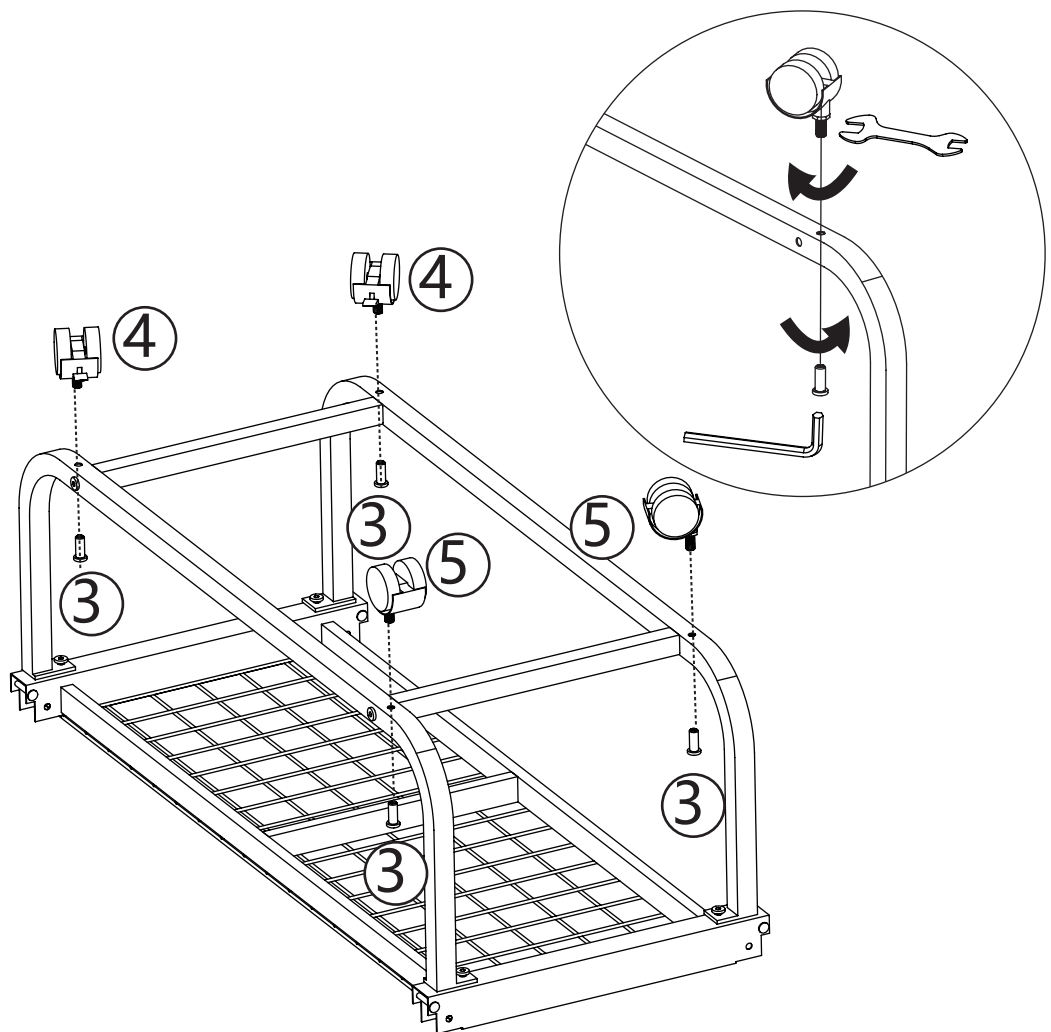
Tighten all the screws used in step 4, connect Parts "C" to Parts "B" and fixing them with four Screws "2".



# Assemble

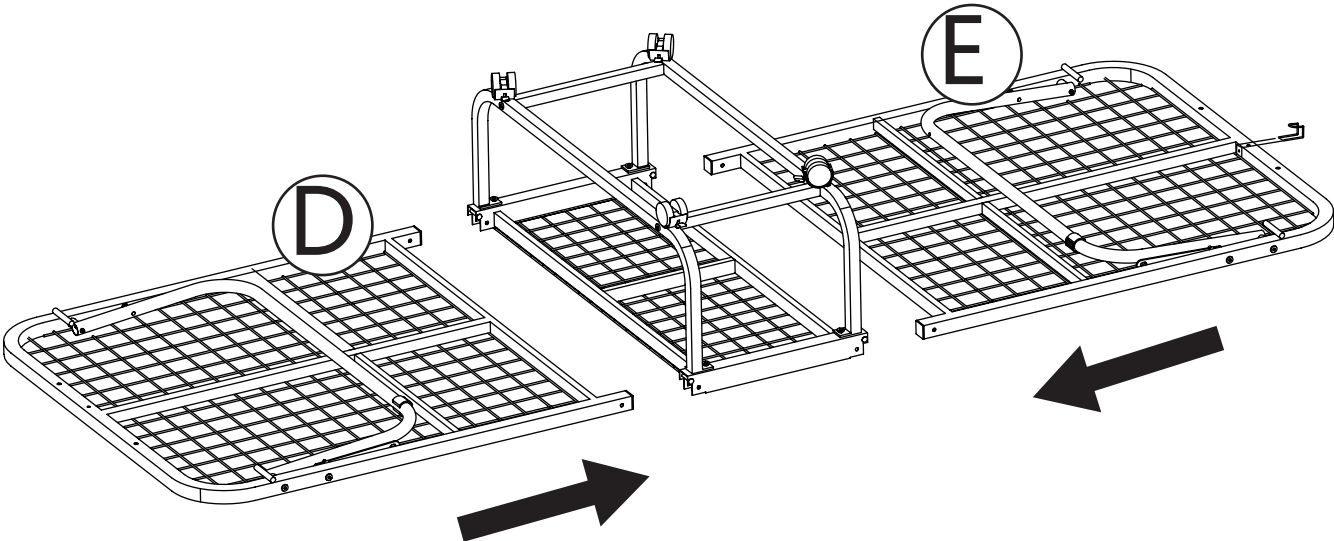
Step 6

									
③	x4	④	x2	⑤	x2	⑧	x1	⑪	x1



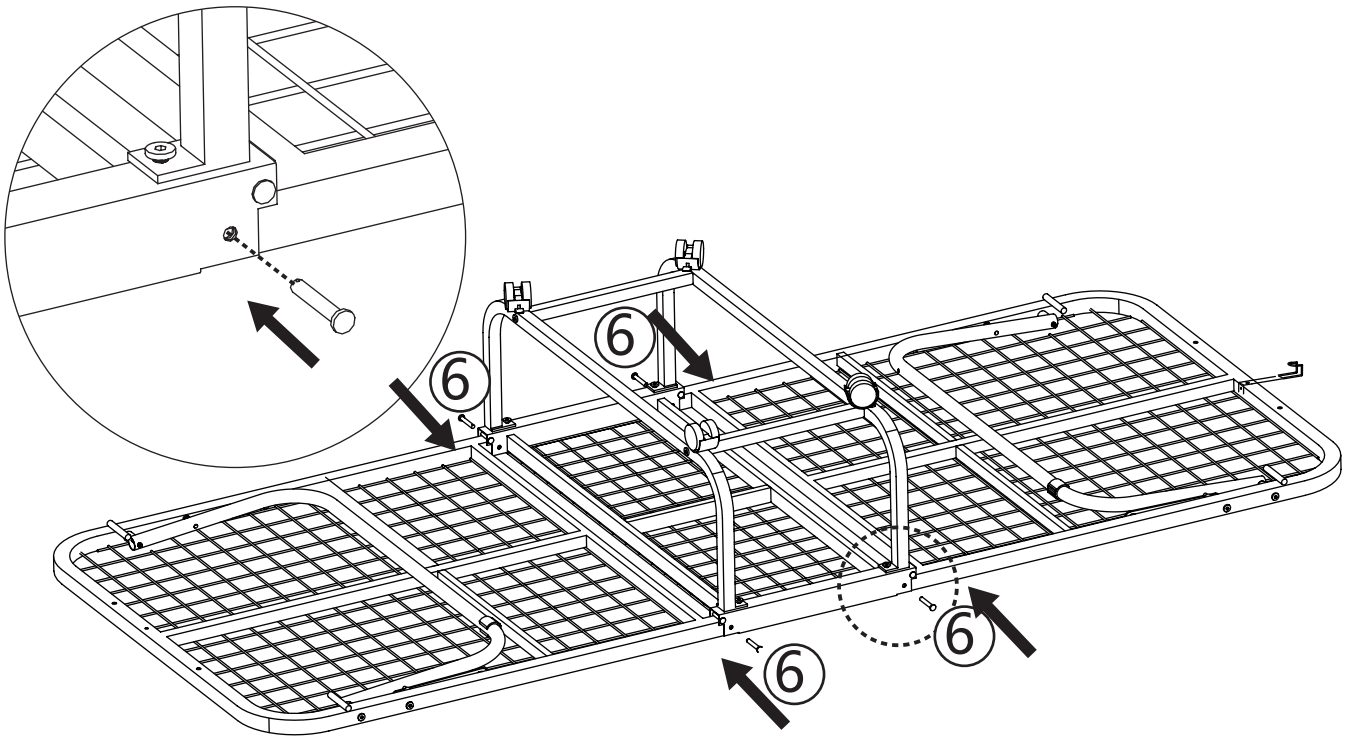
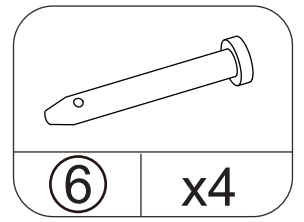
# Assemble

## Step 7



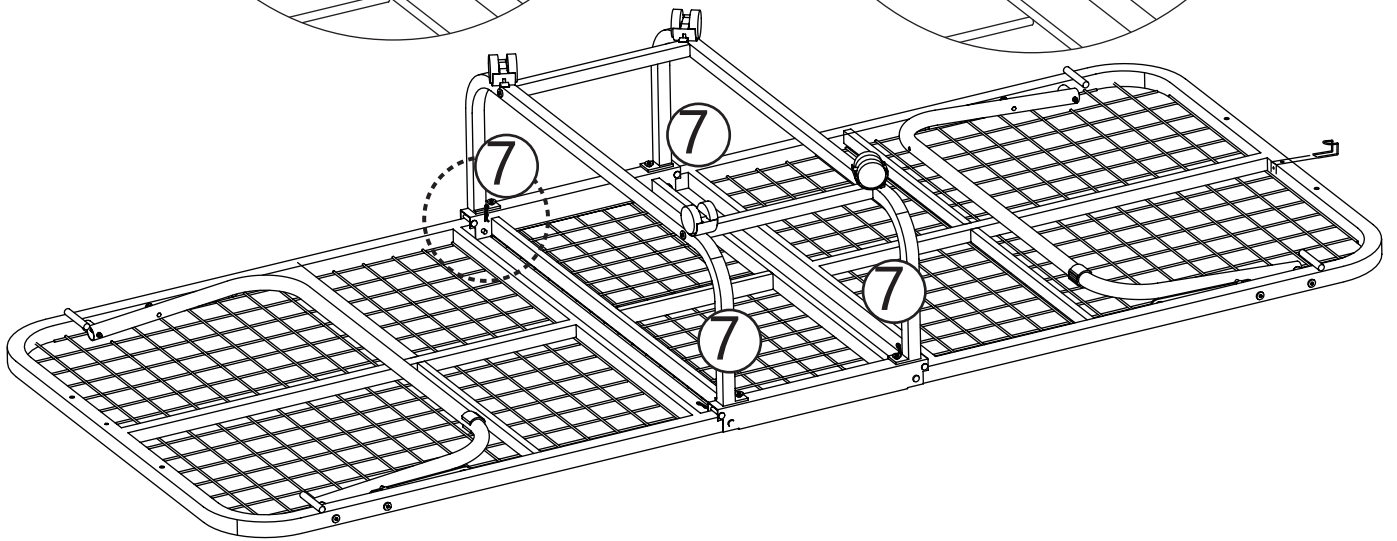
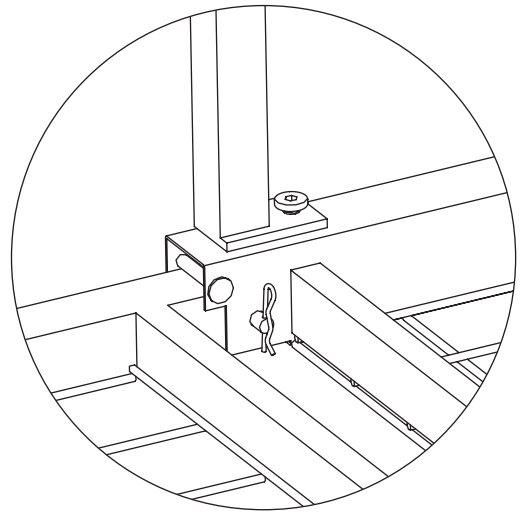
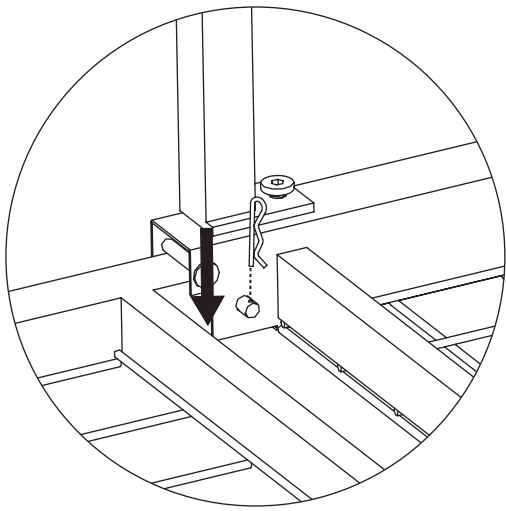
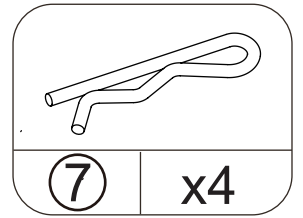
# Assemble

## Step 8



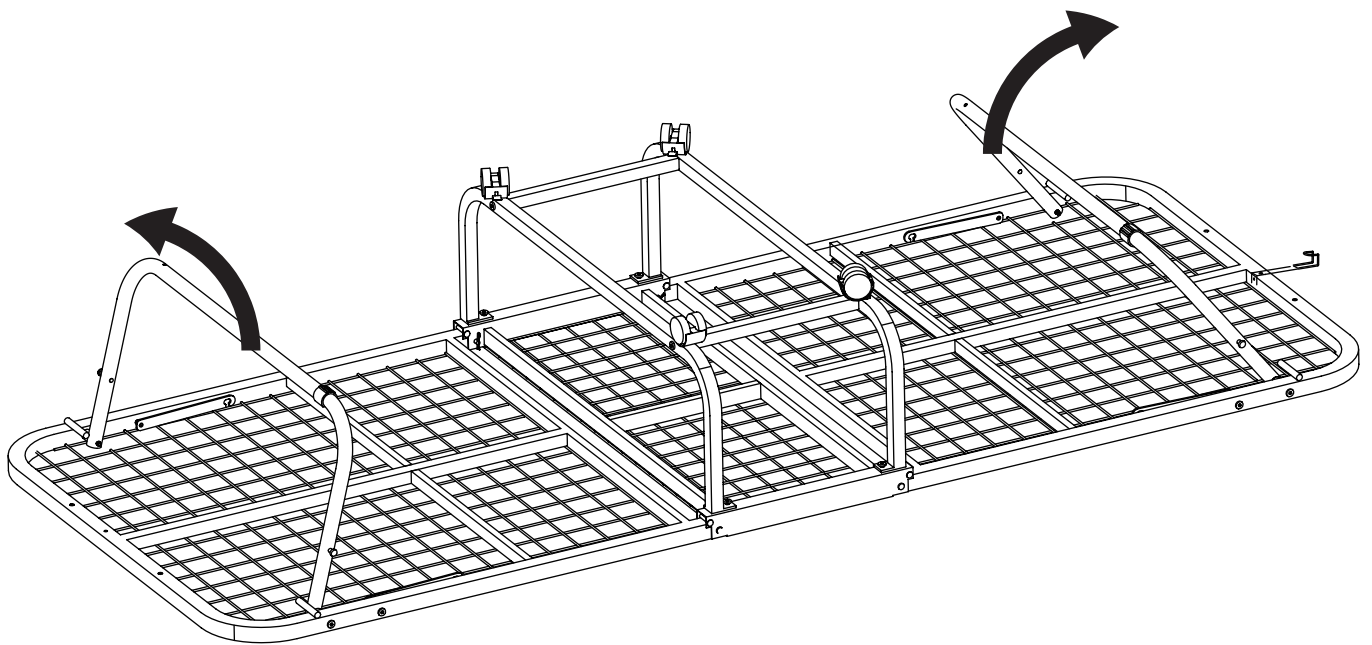
# Assemble

Step 9



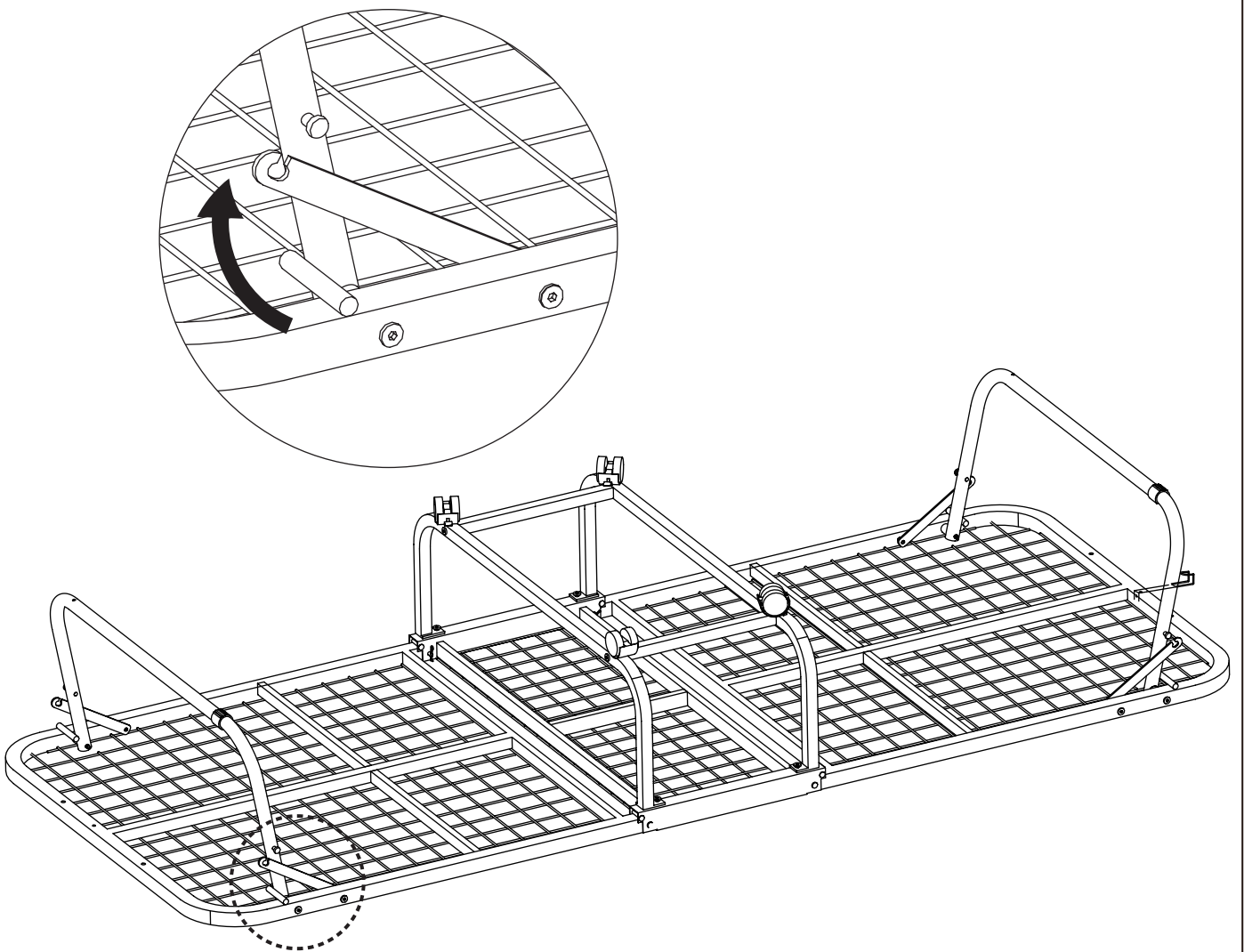
# Assemble

## Step 10



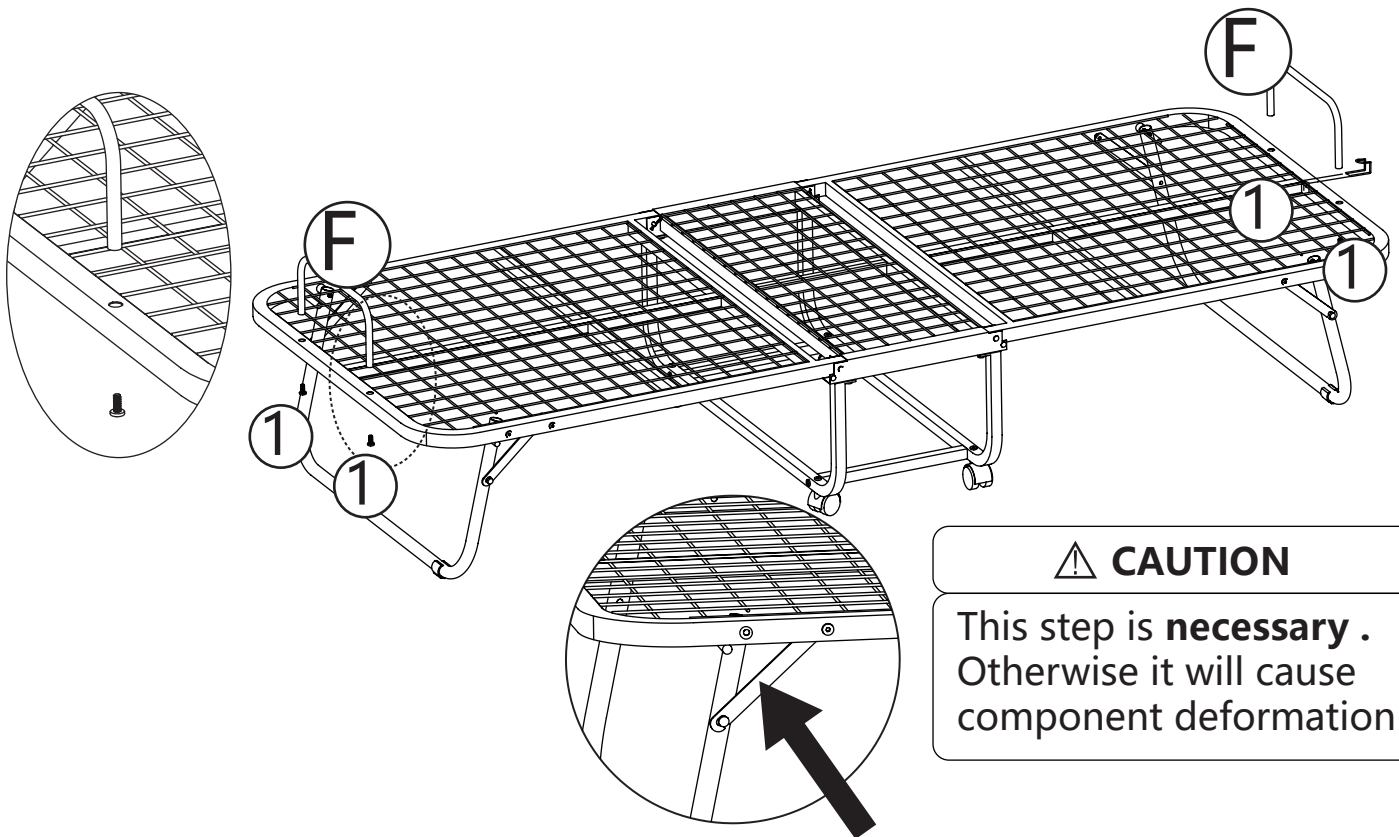
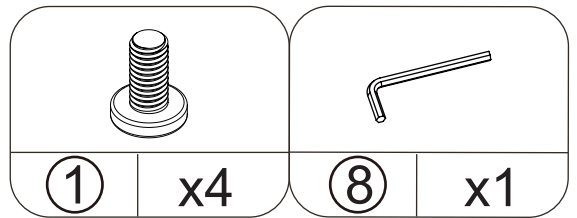
# Assemble

## Step 11



# Assemble

## Step 12



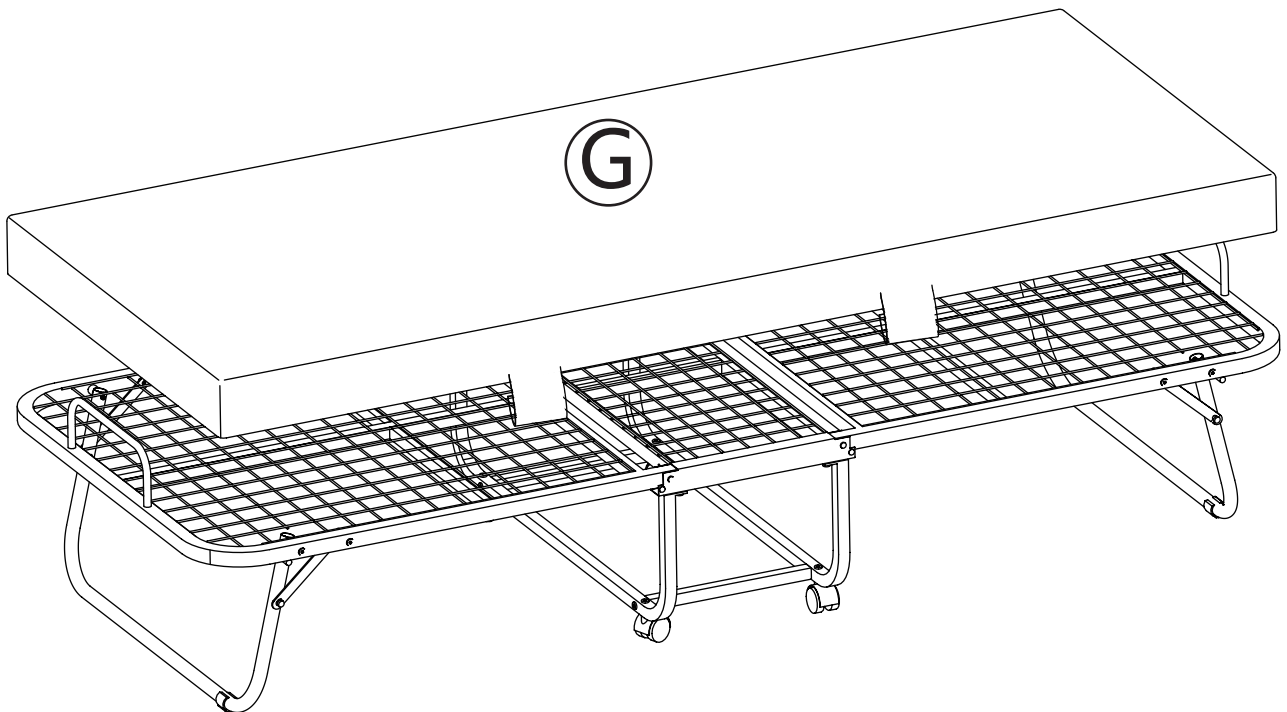
## Step 13

### Mattress

Open packing bag, leave the mattress to expand. Sometimes it only takes a few hours, but other times it can take up to 48 hours to fully expand.

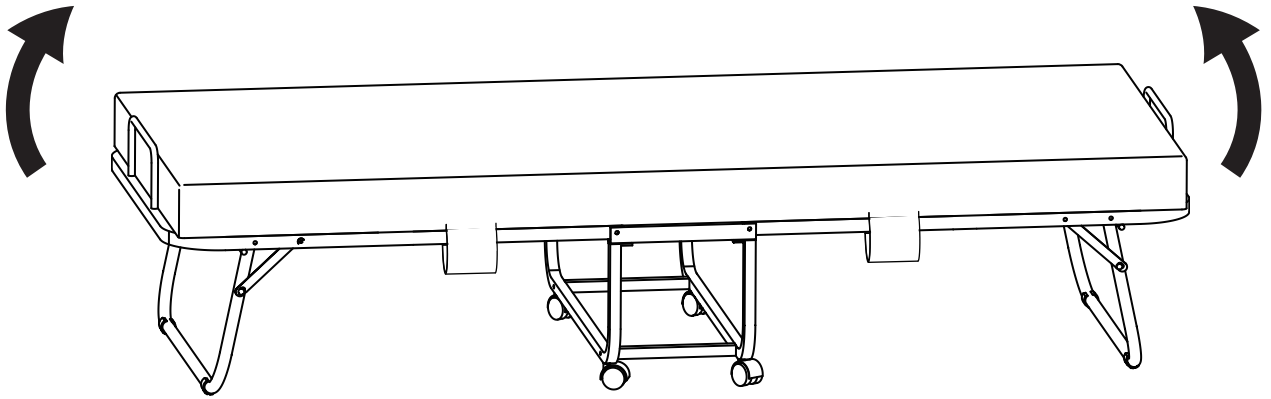
#### Mattress recovery schedule

Recovery time	Recovery ratio
1 hour	90 %
3 hours	94 %
24 hours	97 %
48 hours	98 %

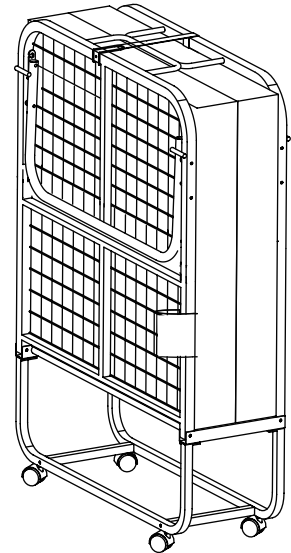
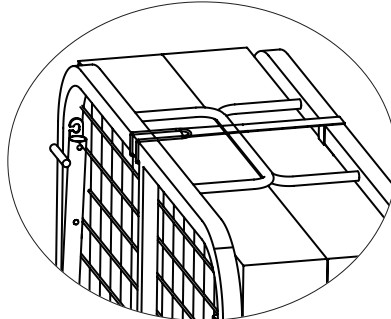
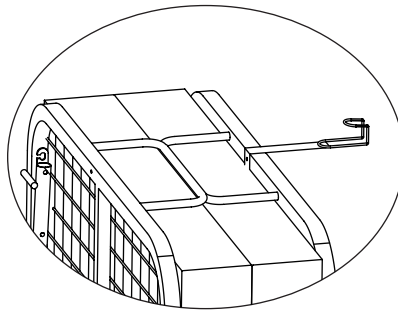
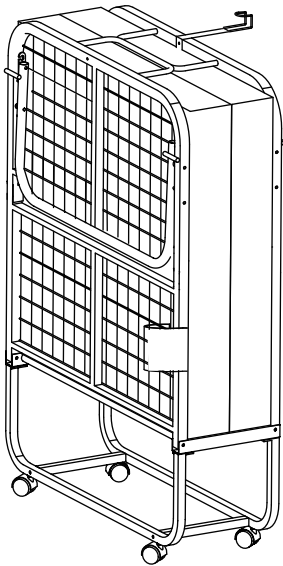


# Assemble

## Step 14

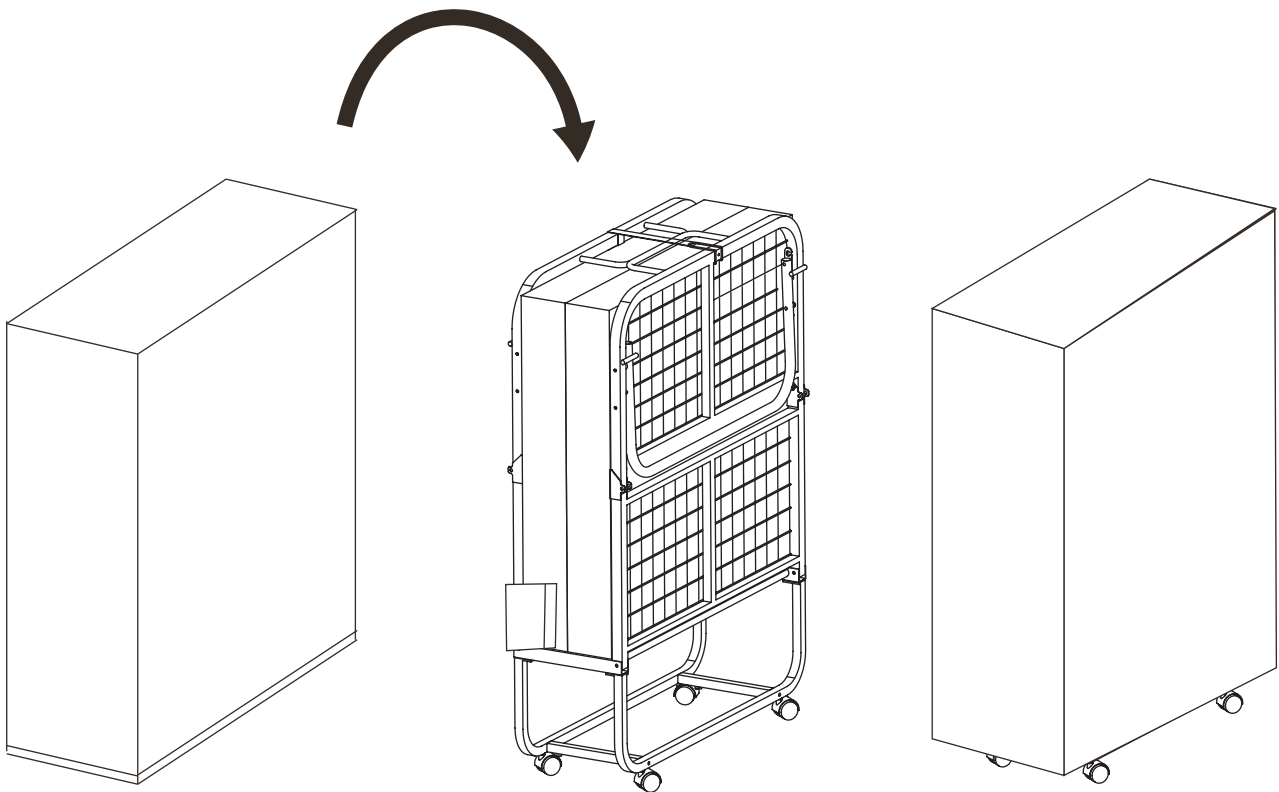
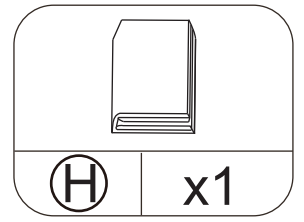


When moving the folding bed ,  
please do NOT pull the strap .



# Assemble

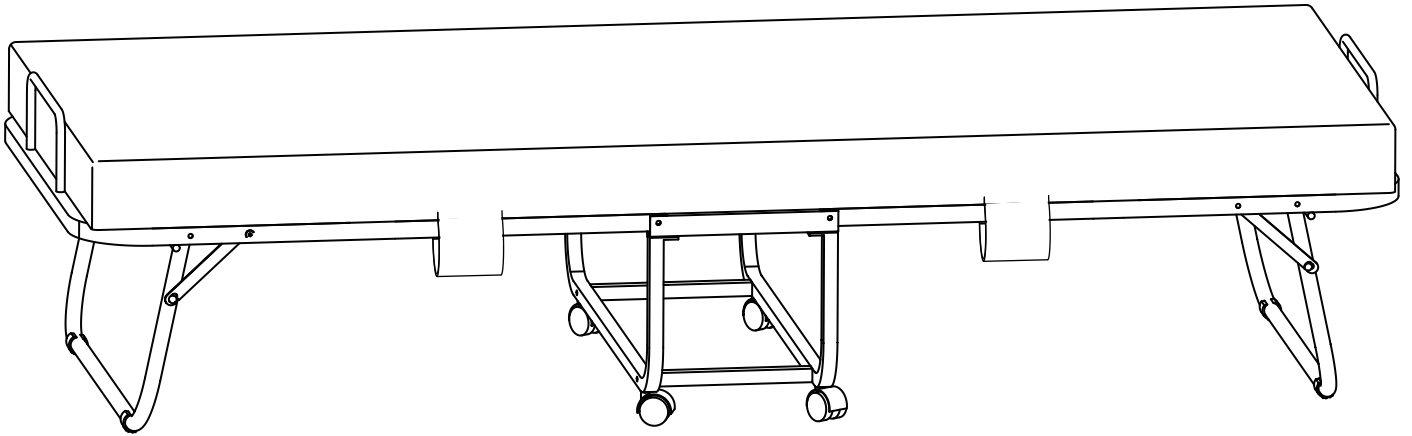
## Step 15



Attach Part "H" to the bed that have been folded in step 14 can effectively keep out dust.

# Assemble

## Step 16



### **WARNING**

Manufacturer and seller expressly disclaim any and all liability for personal injury, property damage or loss, whether direct, indirect, or incidental, resulting from the incorrect attachment, improper use, inadequate maintenance, or neglect of this product.