
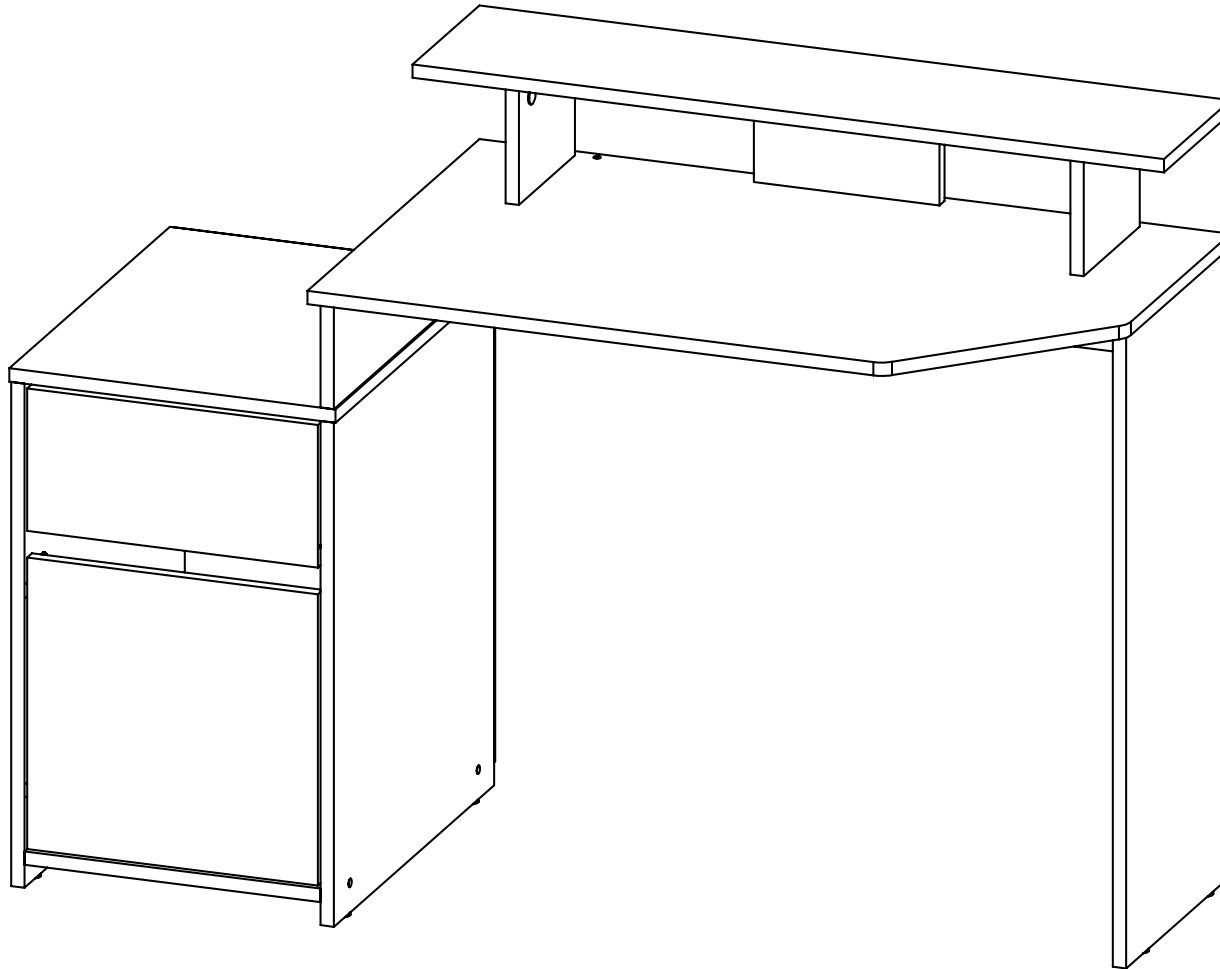
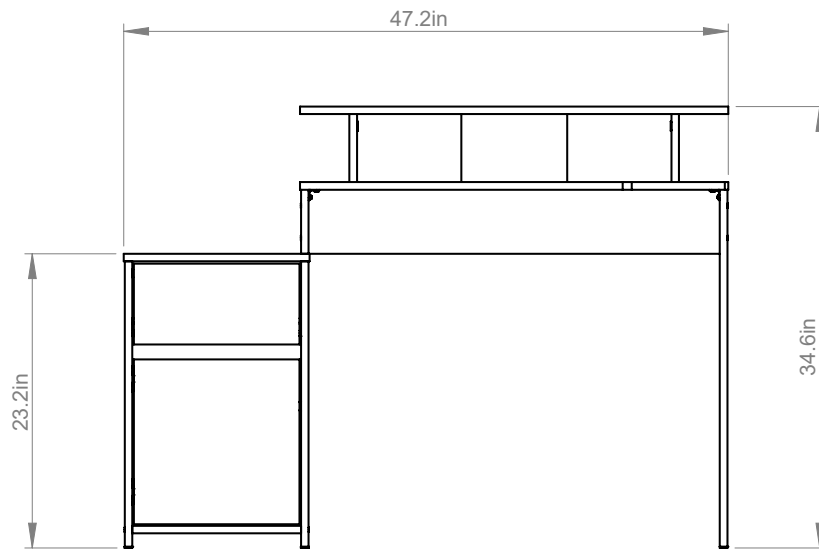
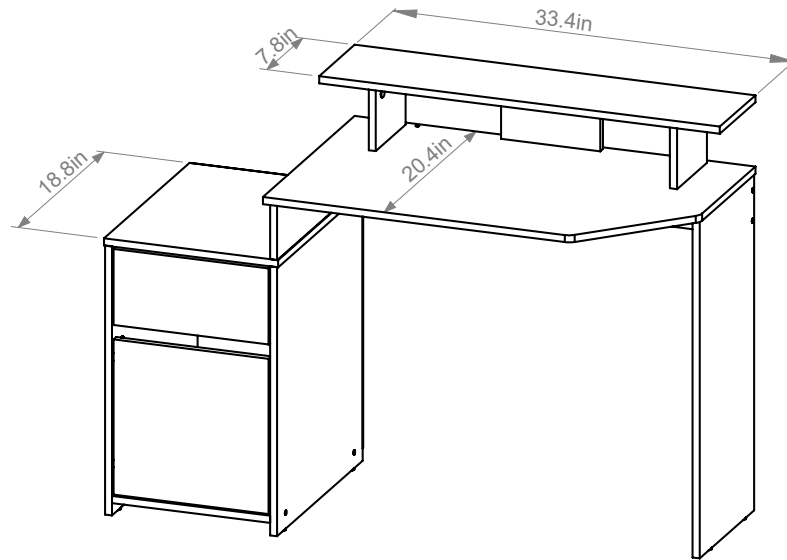


GAMER DESK
M01772ES
Revisión:00/2/11/2022

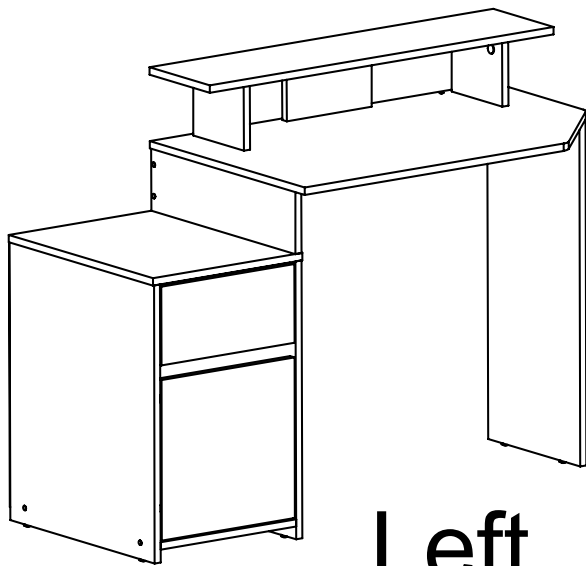
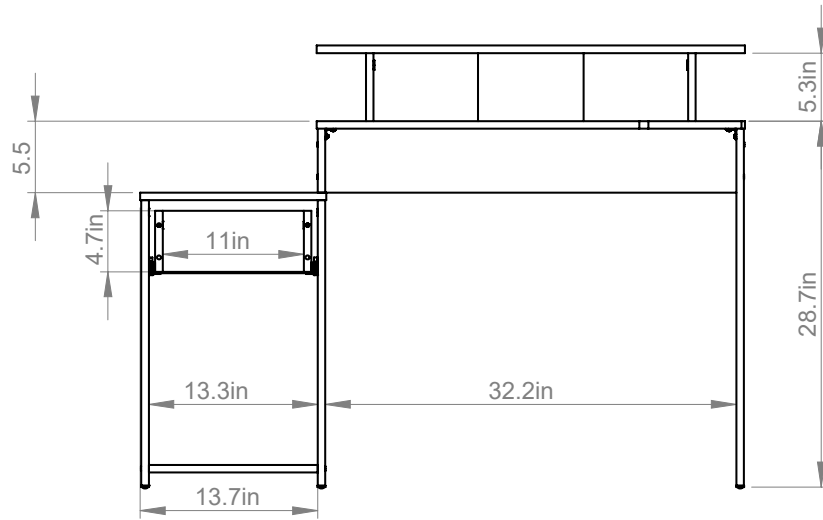
room  smart



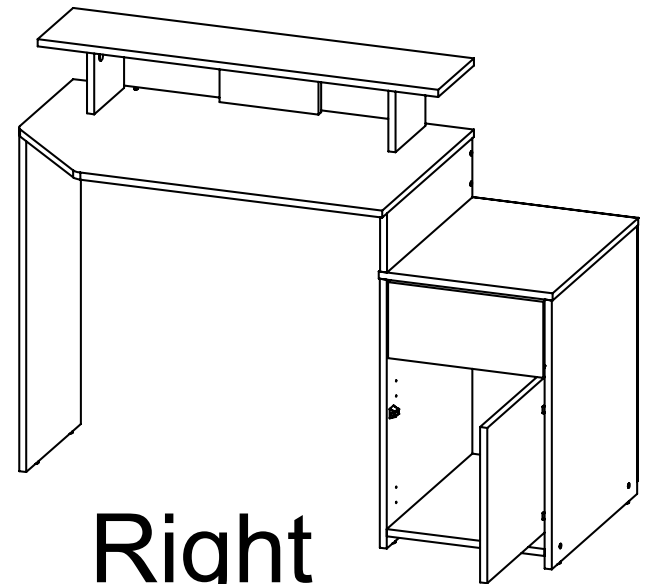
Desk with monitor loft one drawer and one bottom compartment with hinged door without handle



Depth: 20.4in



Left



Right

ACCESSORIES

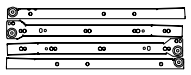
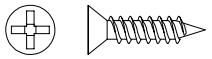
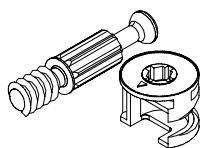

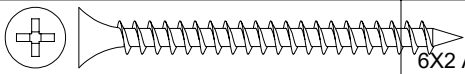
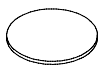
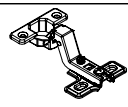

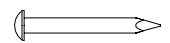
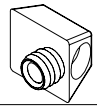
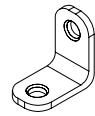

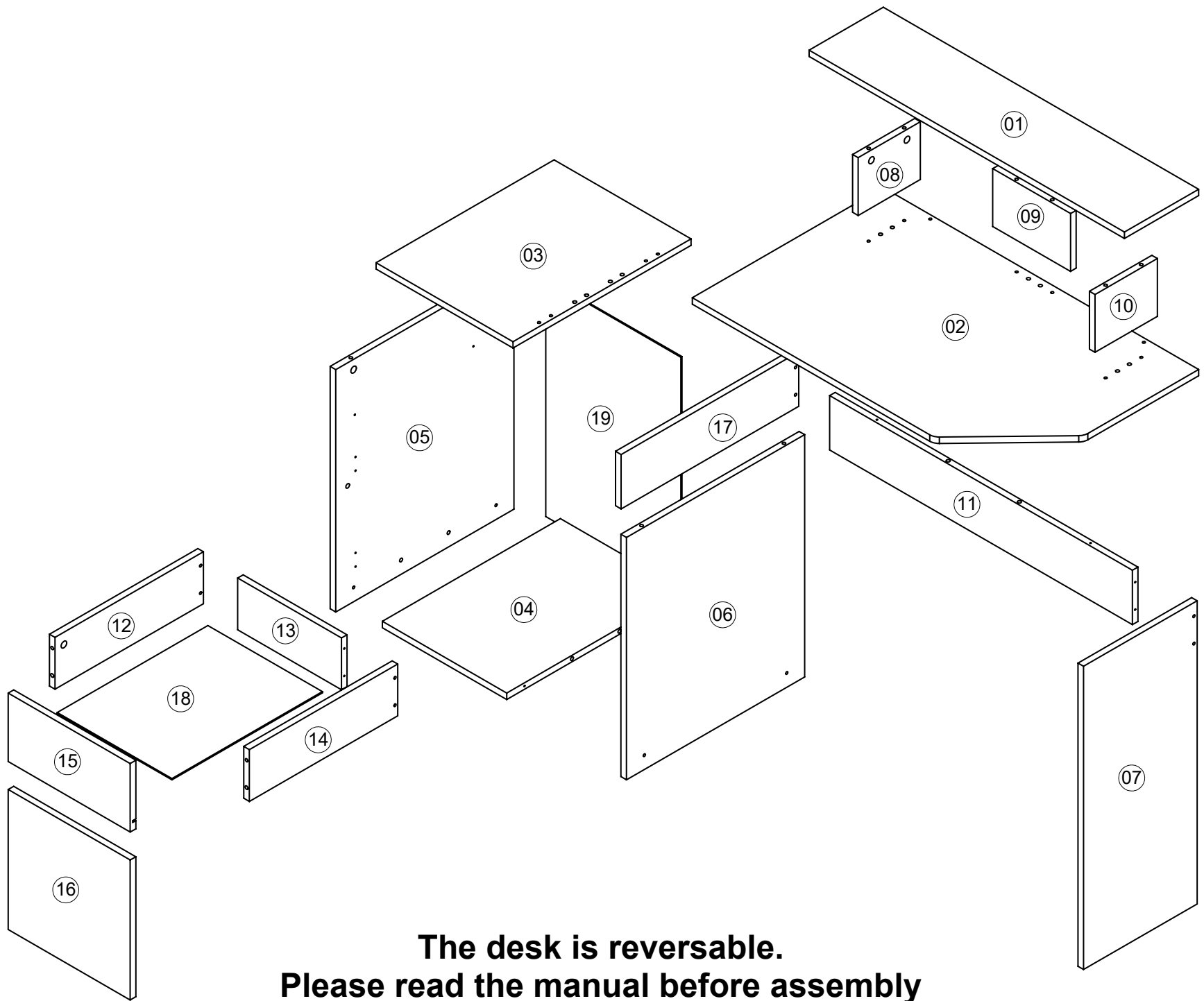
ILLUSTRATION	NAME	Q-TY	PART NUMBER
	400MMBLACK DRAWER RUNNER	1	20080033
	6X5/8 AVE SCREW	28	0004705
	MINIFIX 15MM CONNECTOR BOLT	12	0002715
	8X30 WOODEN PLUG	16	20030001
	6X2 AVE PHI SCREW	22	0000152
	ADHESIVE SCREW COVER	8	WE 012557

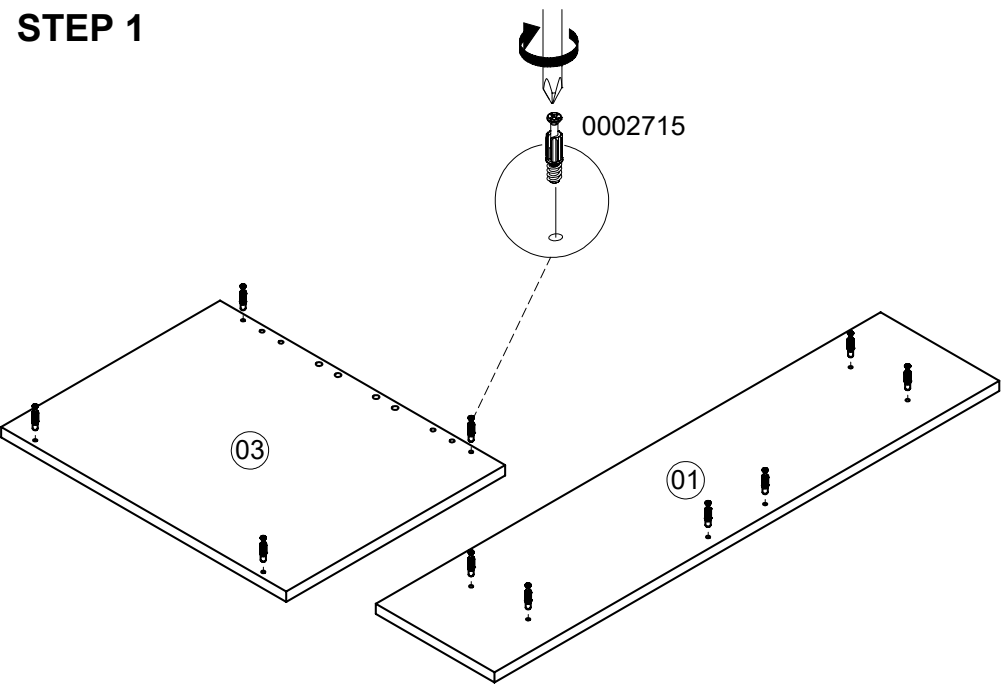
ILLUSTRATION	NAME	Q-TY	PART NUMBER
	CONCEALED HINGE INSET OVERLAY 35MM	2	20040014
	LACE SLIPPER	6	20080050
	3/4 STEEL NAIL	18	20020006
	SHELF SUPPORT	1	005895
	CND1912 STEEL CORNER	2	0004637
	8X1/2 PAN PHI ZINC SCREW	4	0004627

The information and characteristics of accessories that appear in this ASSEMBLY MANUAL may be subject to change depending on their effective availability and may vary according to the marketed version. MADERKIT S.A. reserves the right to make changes at any time and without prior notice. This information is based on the latest update provided by the manufacturer, and the definitive characteristics of the furniture will be those known and accepted by the buyer. Valid until a new factory update. The parts and/or accessories that must be replaced for warranty purposes will be made by the equivalent version available at the time of the item to be replaced.

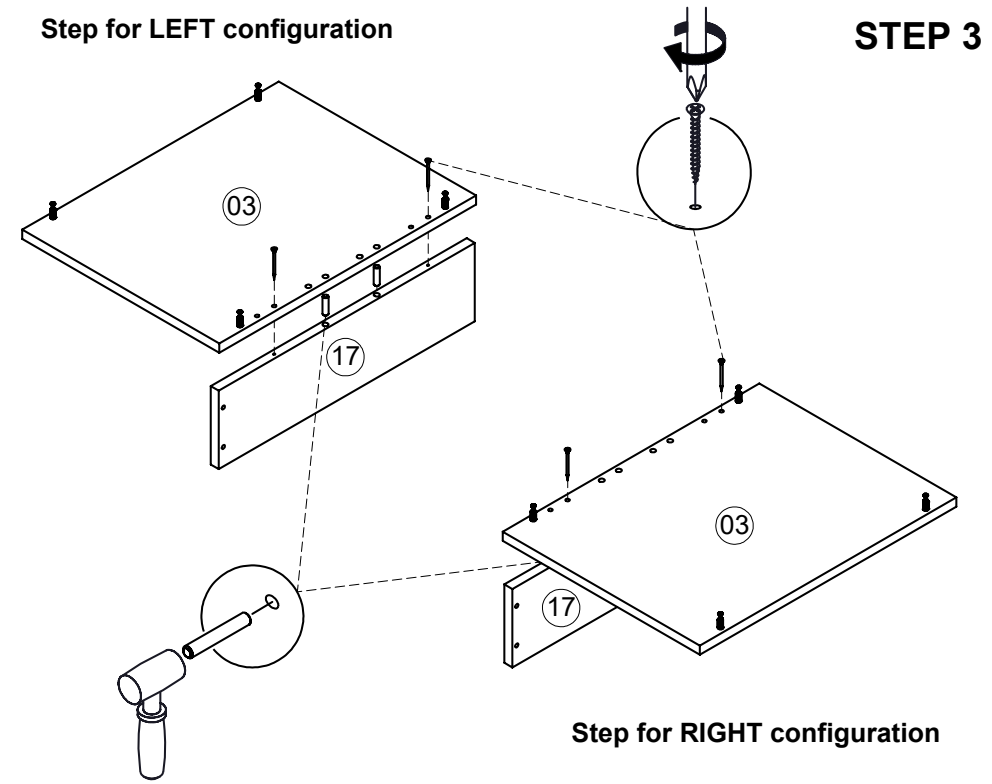


**The desk is reversible.
Please read the manual before assembly**

STEP 1



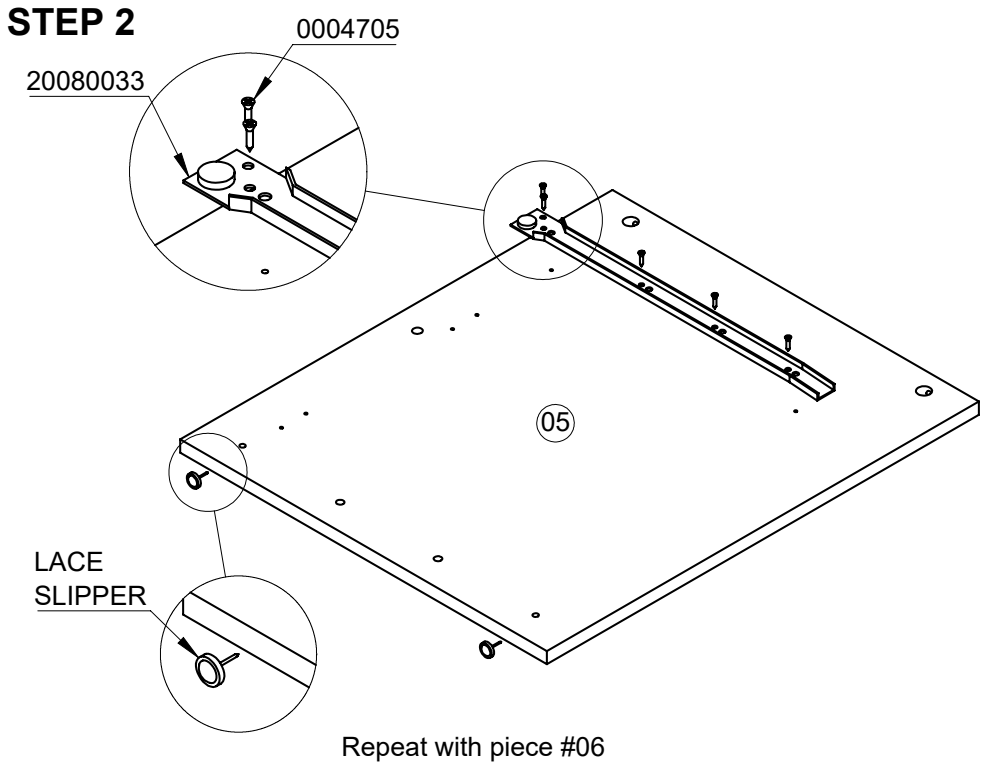
Step for LEFT configuration



STEP 3

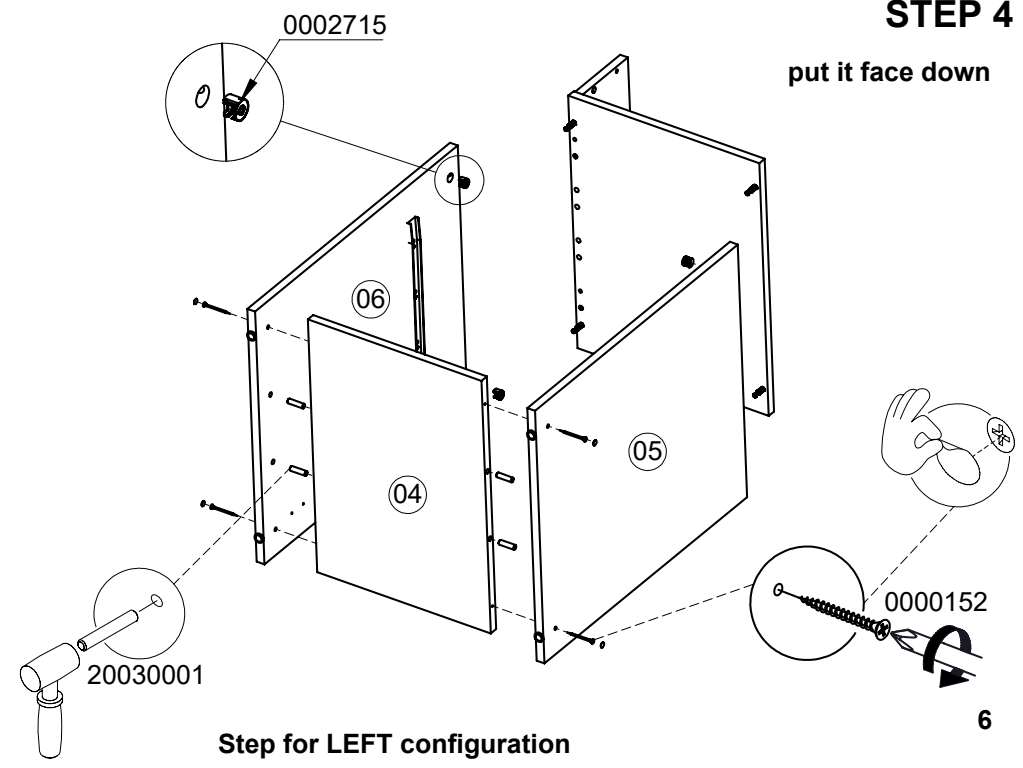
Step for RIGHT configuration

STEP 2



STEP 4

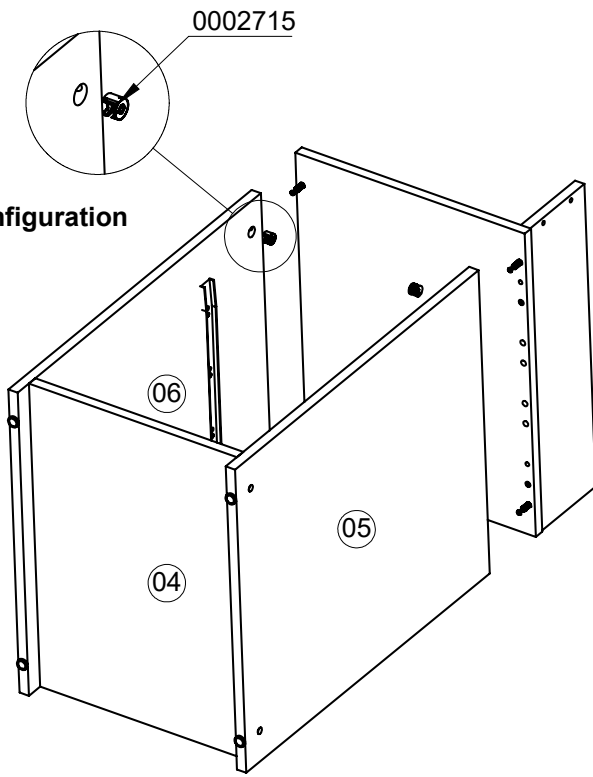
put it face down



Step for LEFT configuration

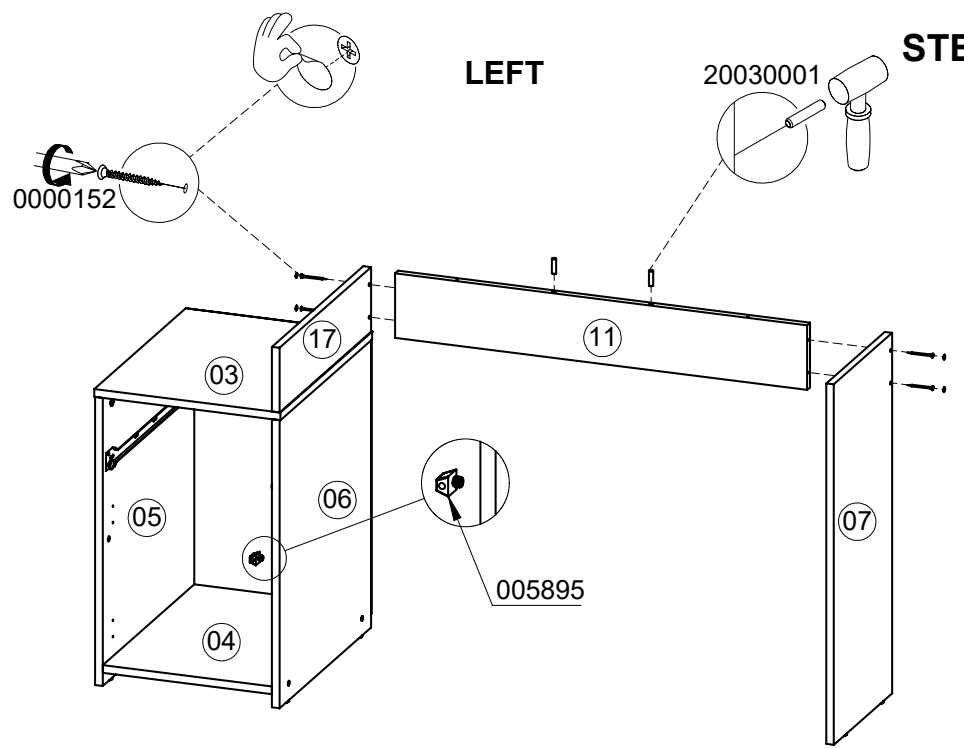
STEP 5

Step for RIGHT configuration

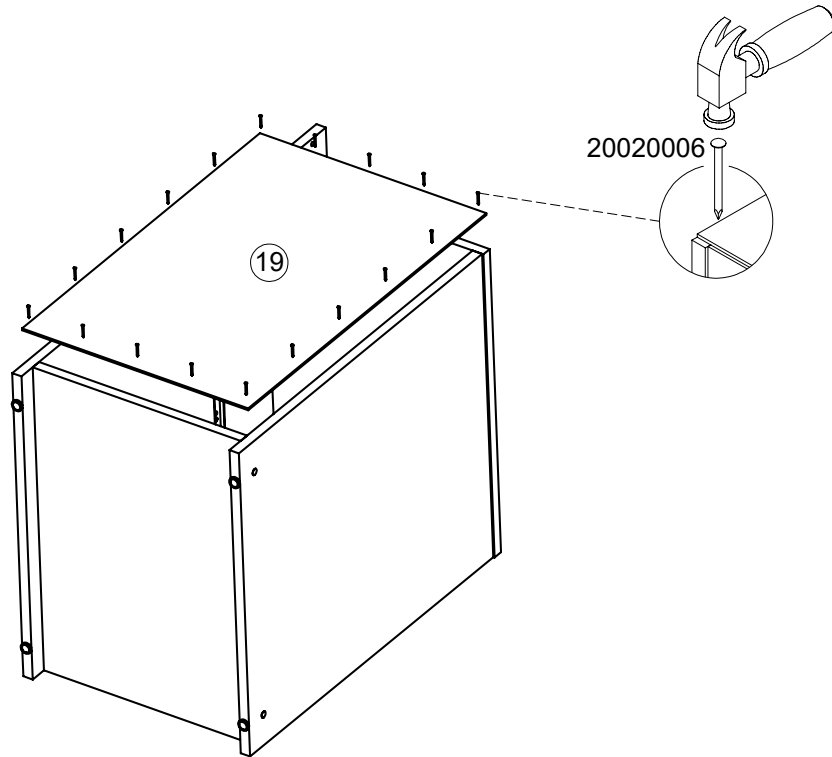


STEP 7

LEFT

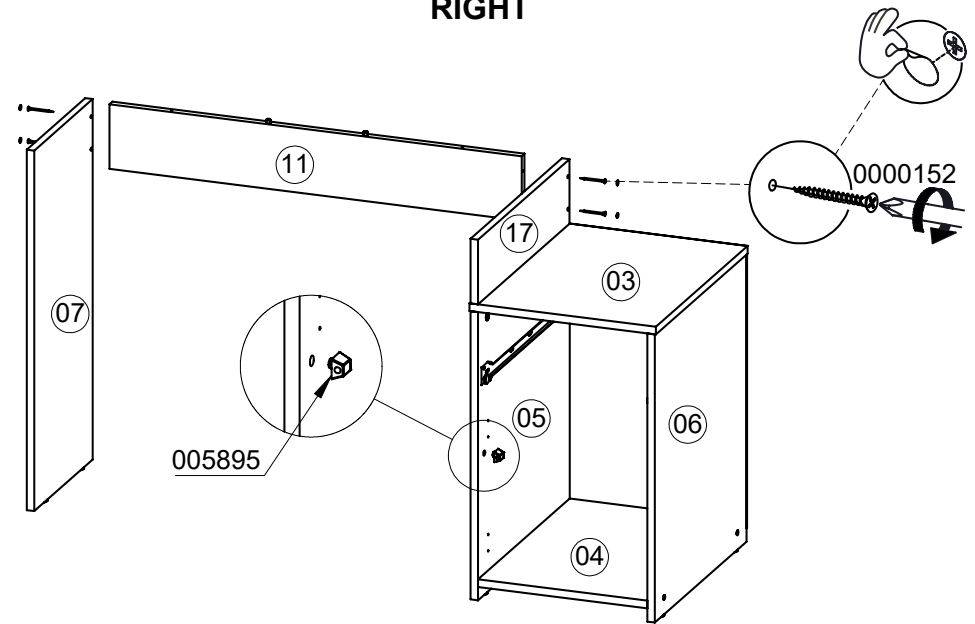


STEP 6

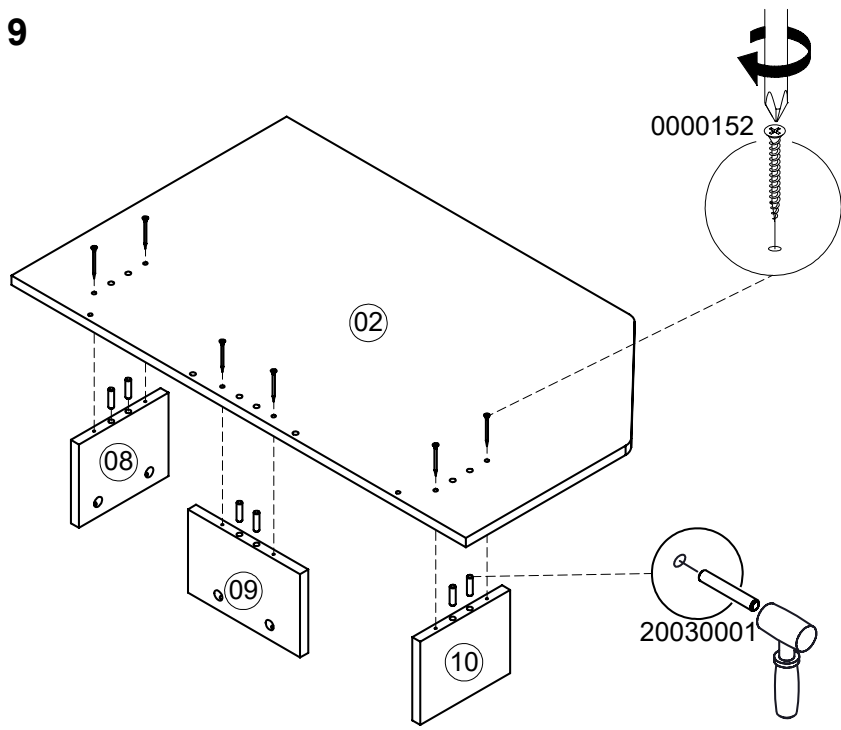


STEP 8

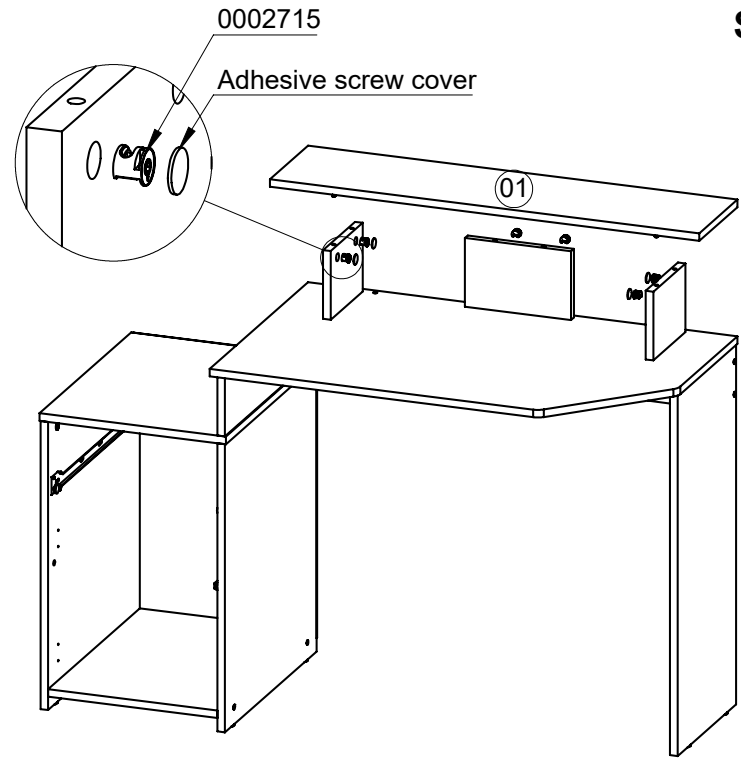
RIGHT



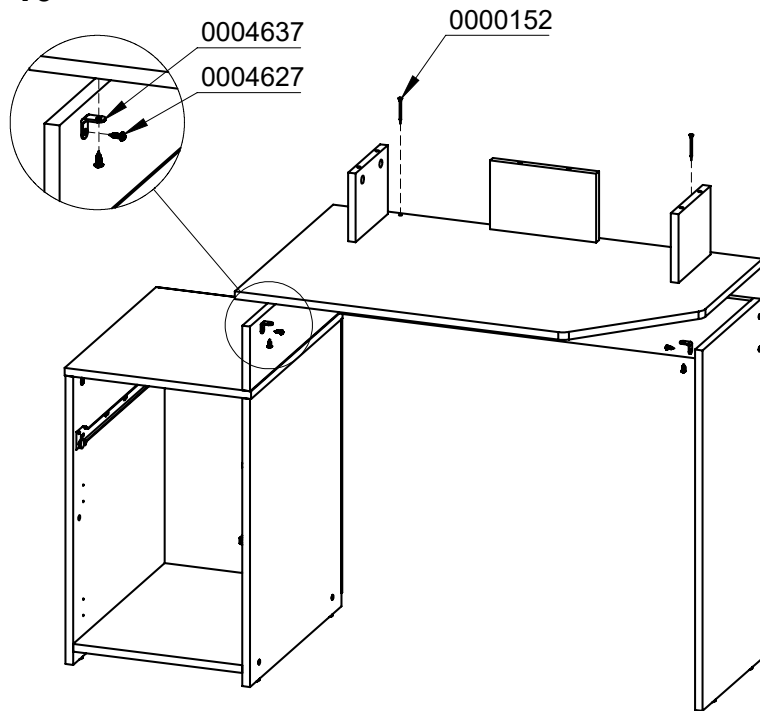
STEP 9



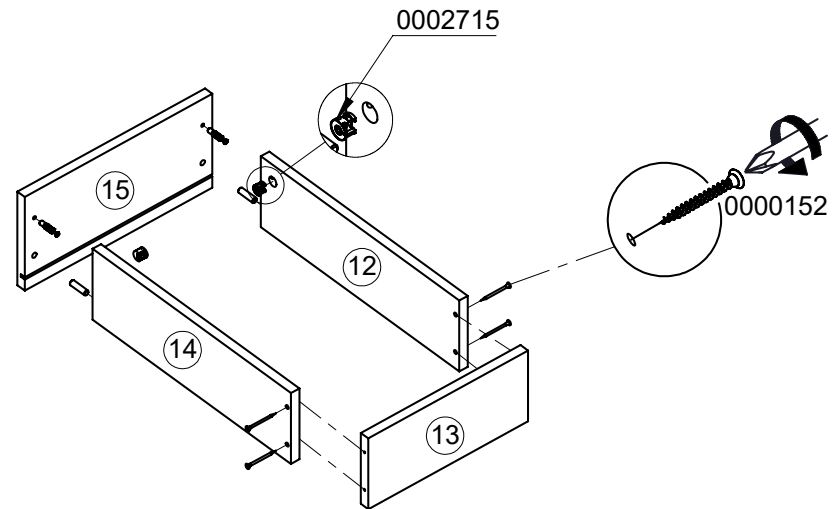
STEP 11



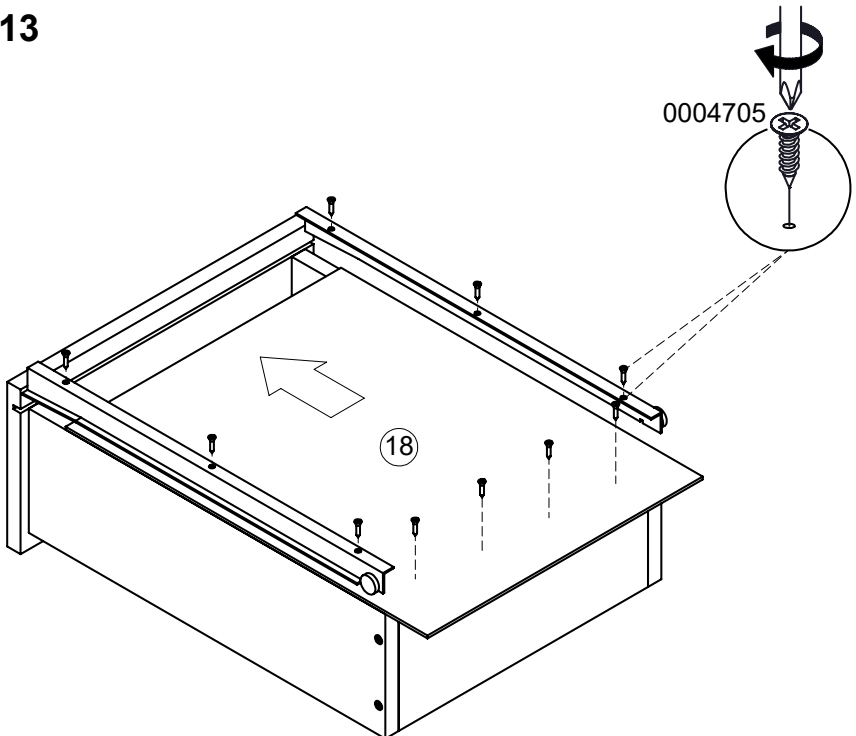
STEP 10



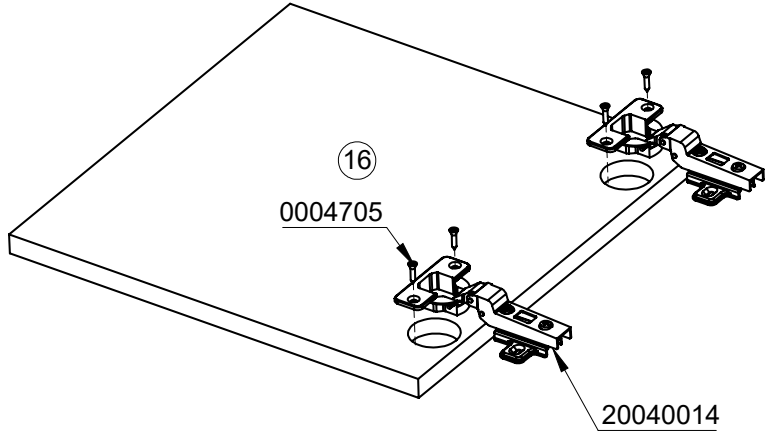
STEP 12



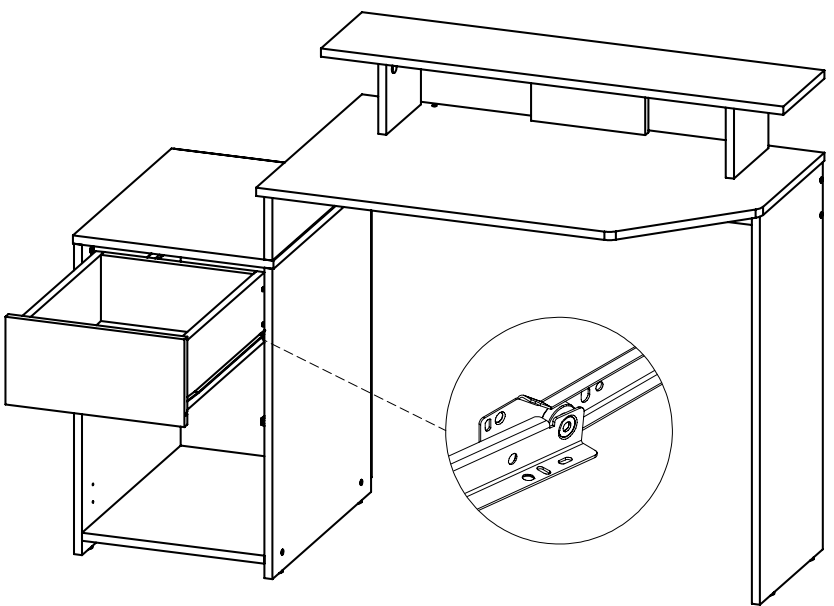
STEP 13



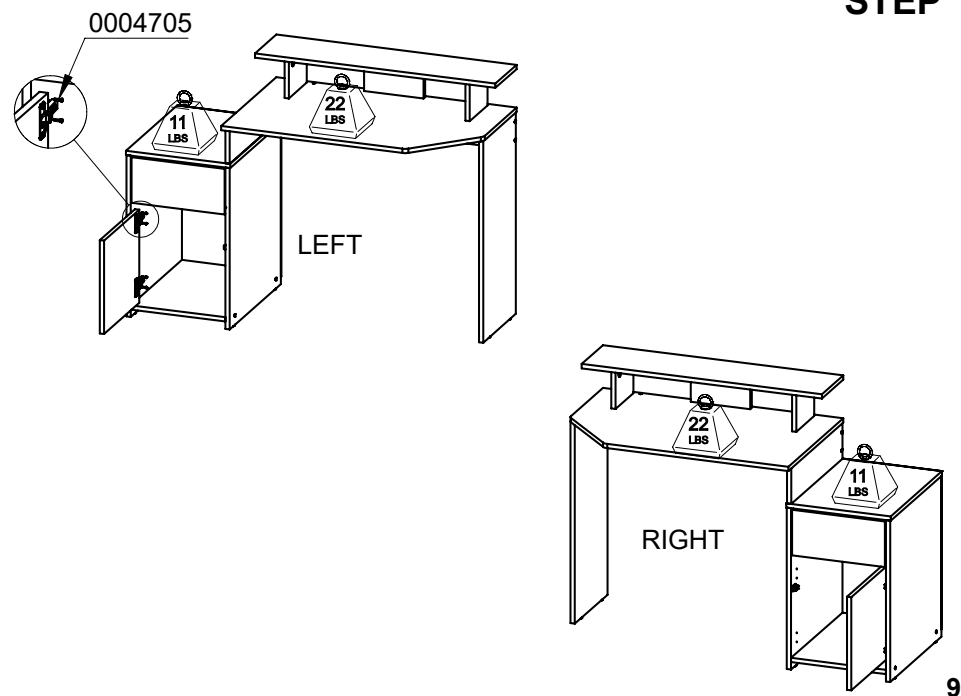
STEP 15

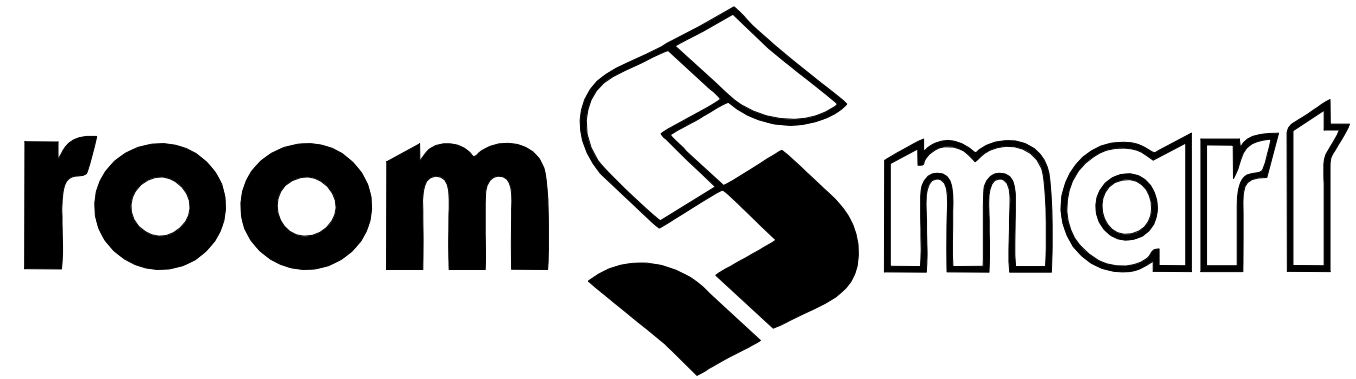


STEP 14



STEP 16





THANK YOU
ASSEMBLY MANUAL
DOWNLOAD FROM:
ROOMSMART.COM
FURNITURE4LESS.STORE