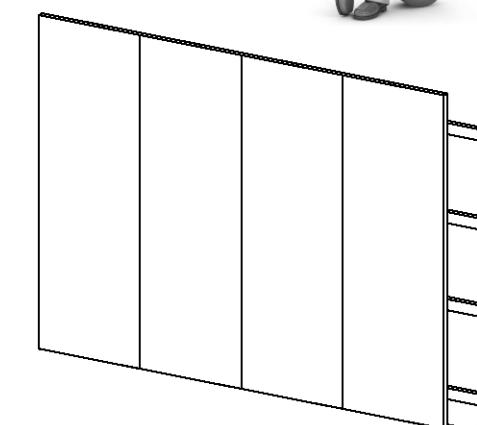
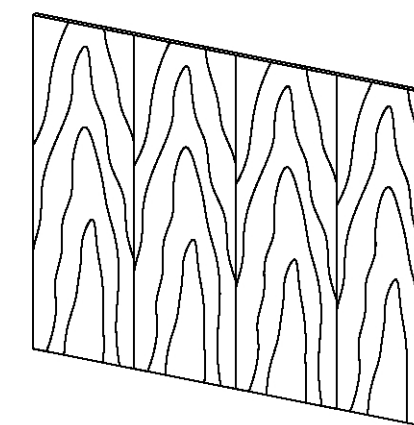
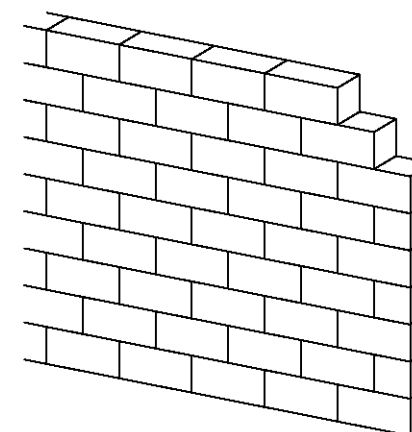
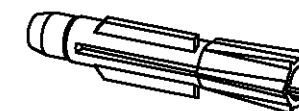
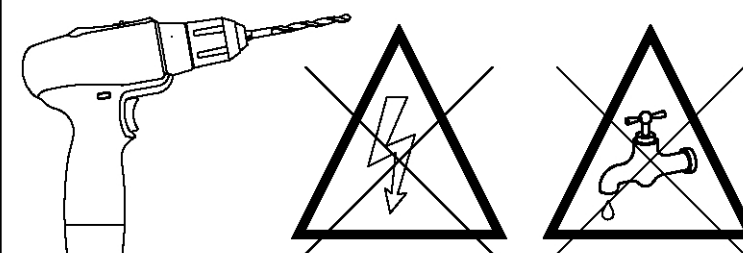
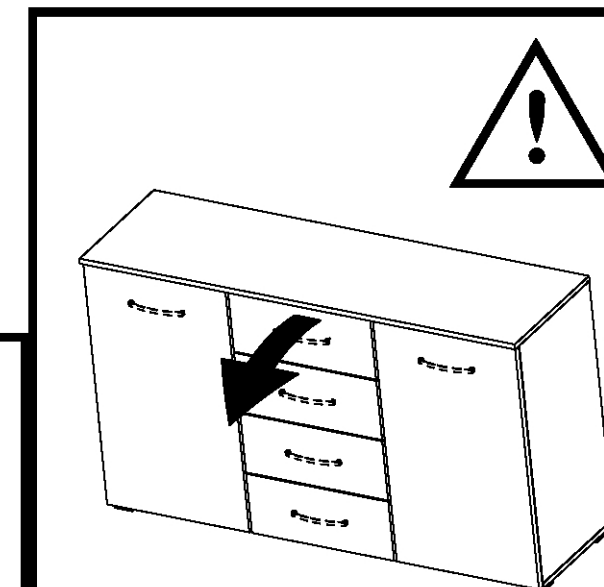
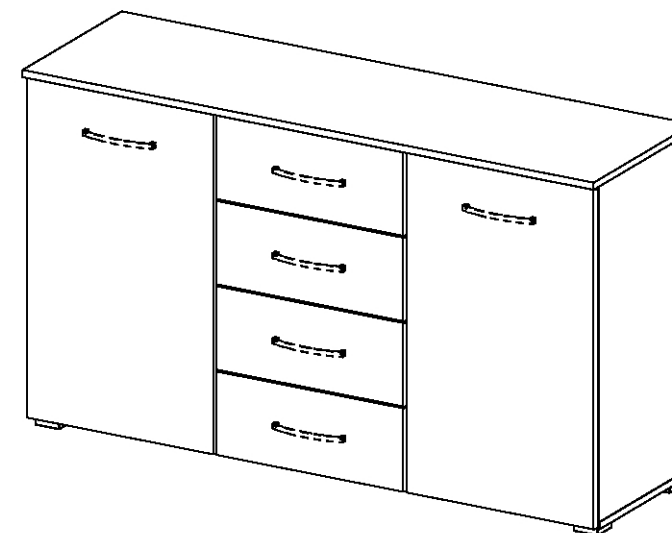
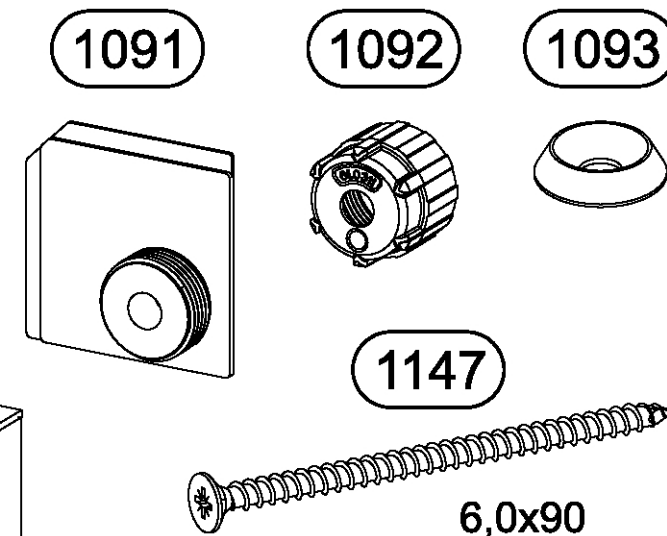
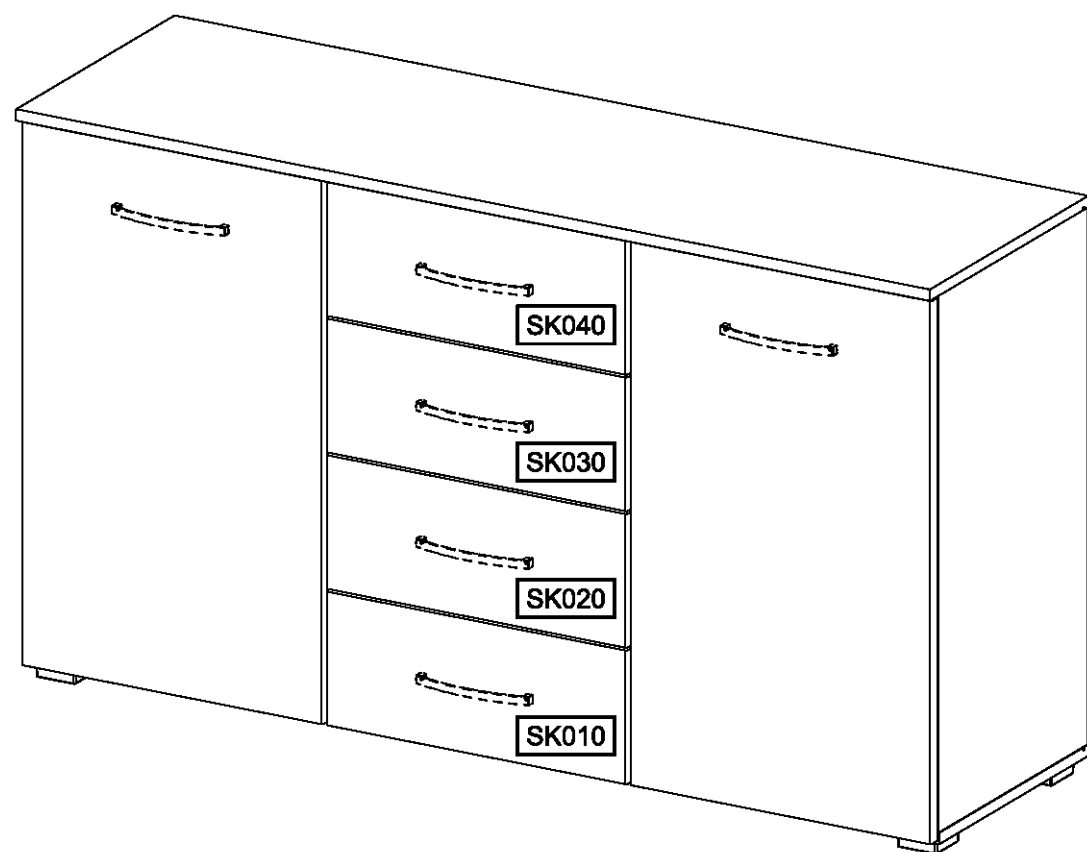
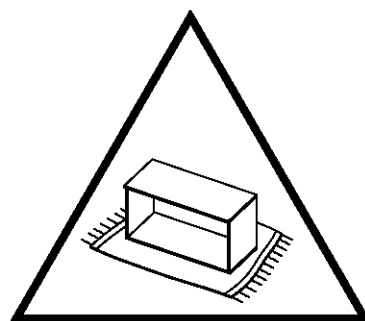
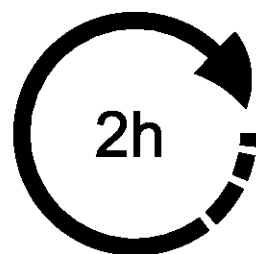
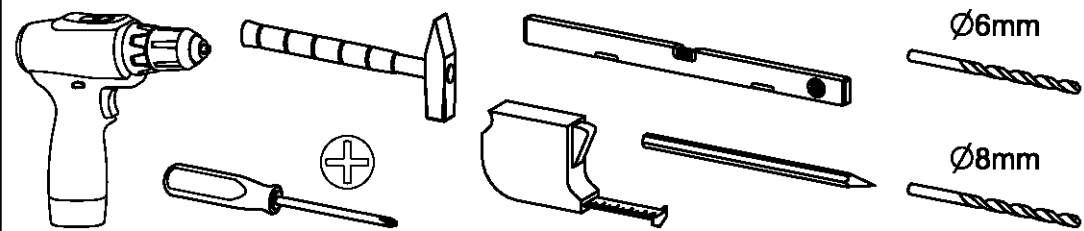
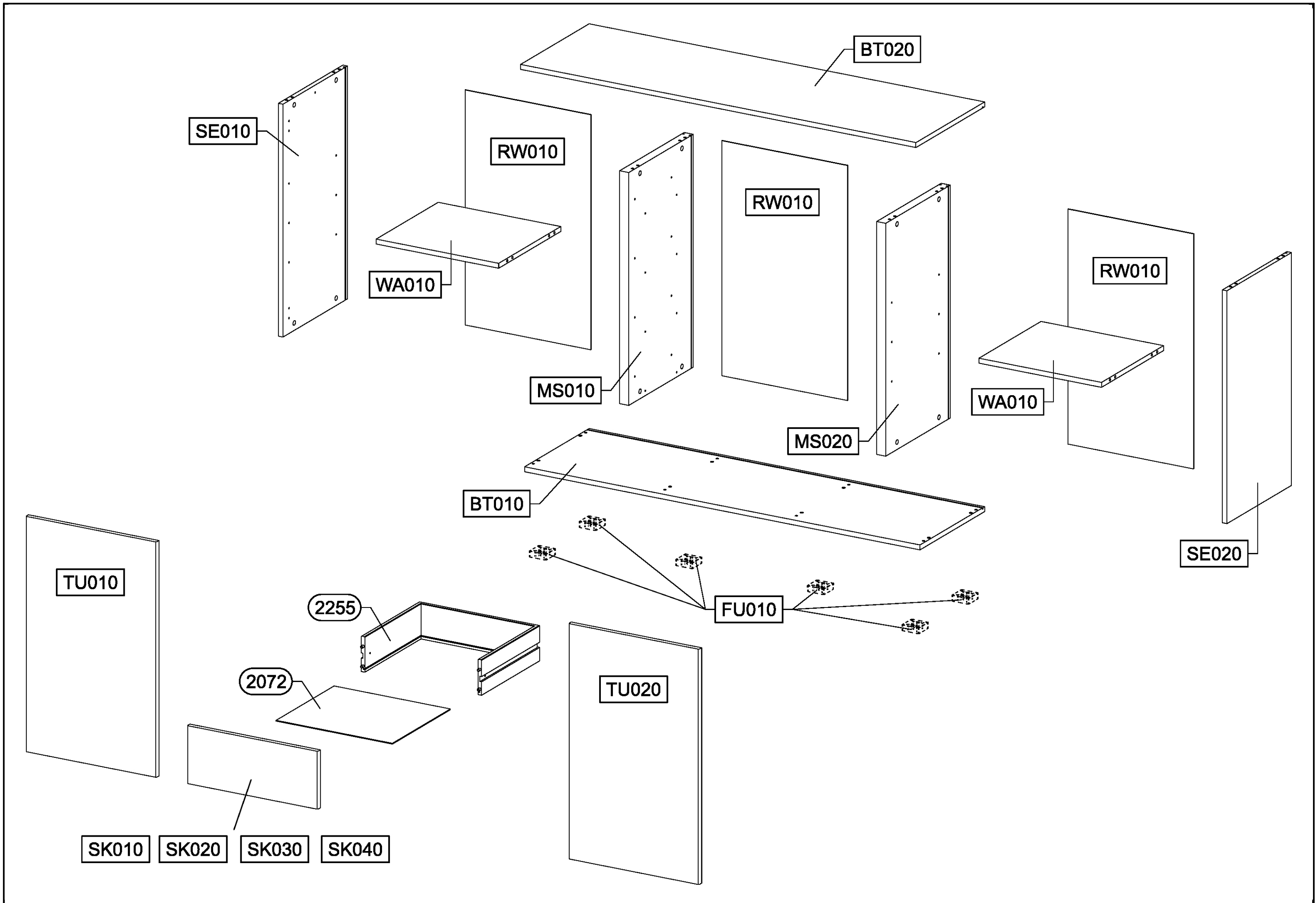
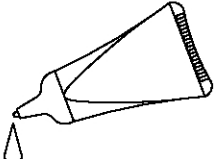

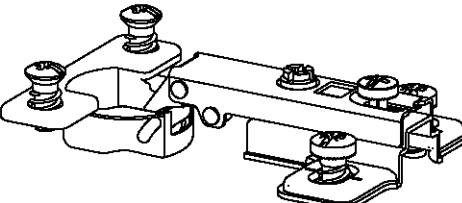

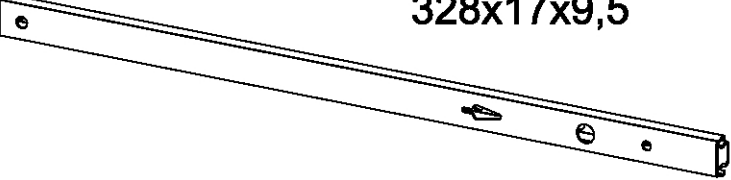

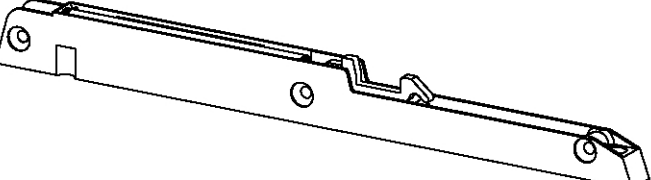


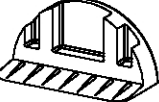

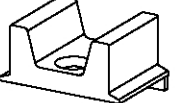
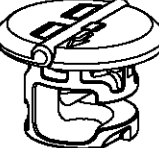

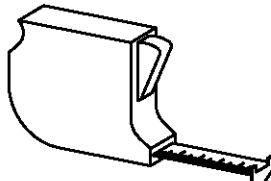
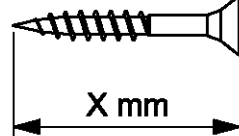
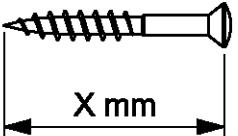
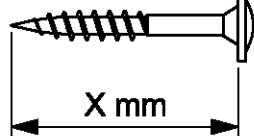


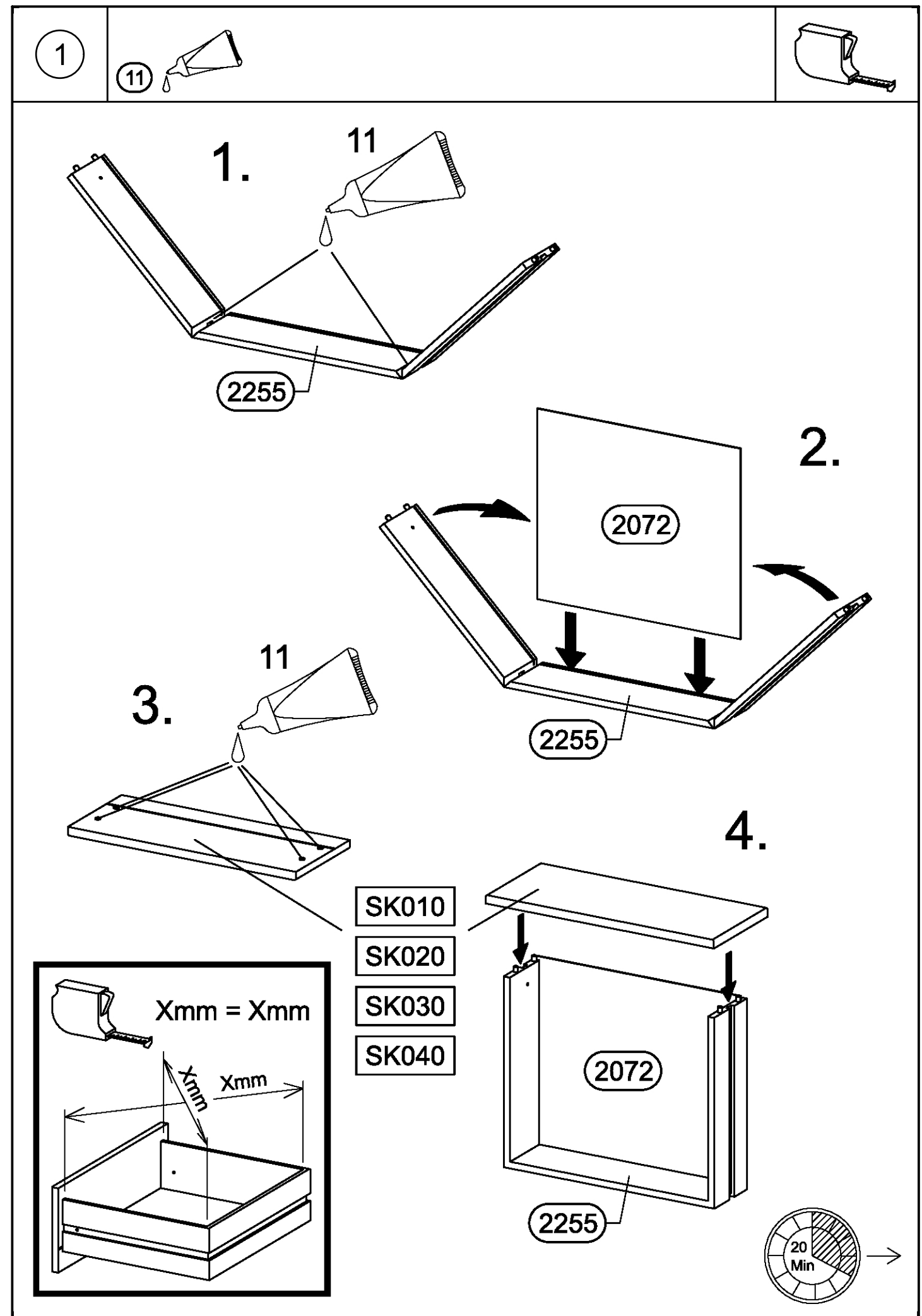
M2613\_01

rauch

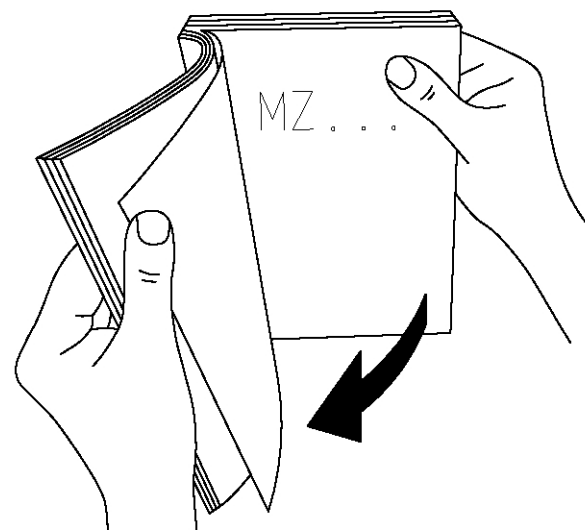
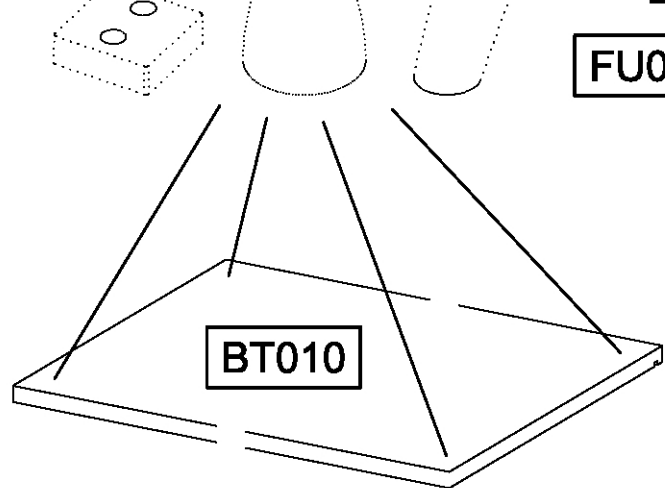
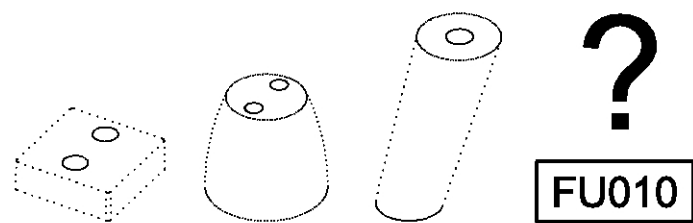
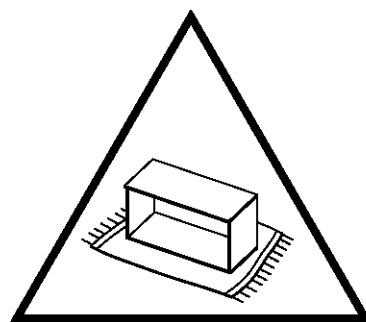
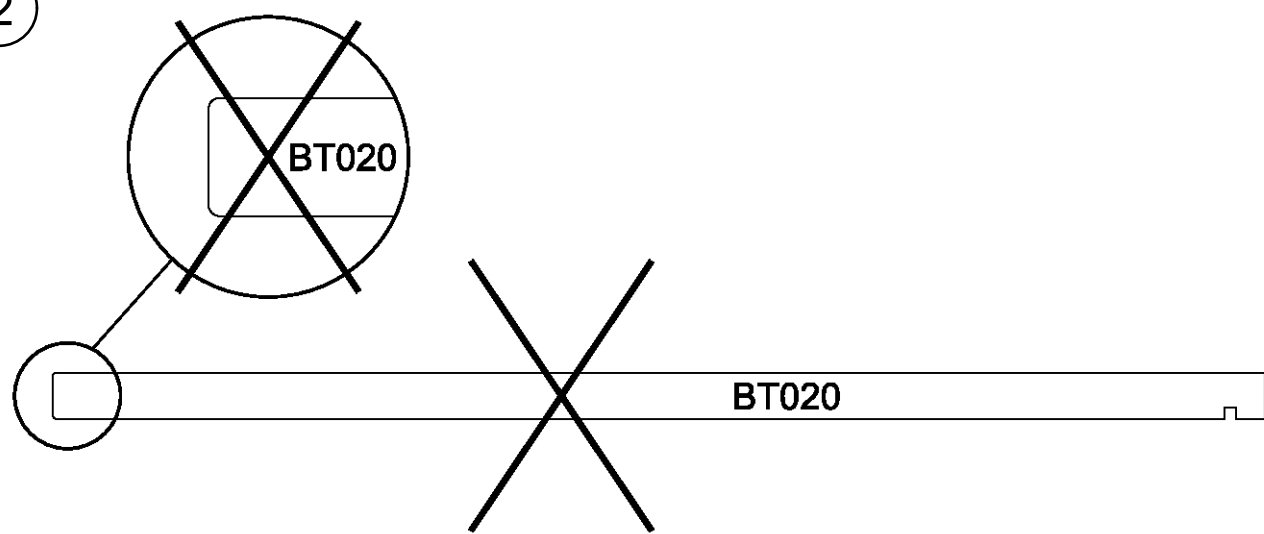




<p>11</p> 	<p>16x</p> <p>8x30</p> <p>18</p> 	<p>4x</p> <p>130</p> 
<p>16x</p> <p>6x10,5</p> <p>227</p> 	<p>8x</p> <p>328x17x9,5</p> <p>251</p> 	
<p>8x</p> <p>M4x9</p> <p>568</p> 	<p>8x</p> <p>1000</p> 	
<p>32x</p> <p>3,5x20</p> <p>1002</p> 	<p>16x</p> <p>6x12</p> <p>1003</p> 	<p>12x</p> <p>1090</p> 
<p>8x</p> <p>1105</p> 	<p>8x</p> <p>1187</p> 	<p>16x</p> <p>1188</p> 
<p>16x</p> <p>1189</p> 		
		
 X mm  X mm  X mm		

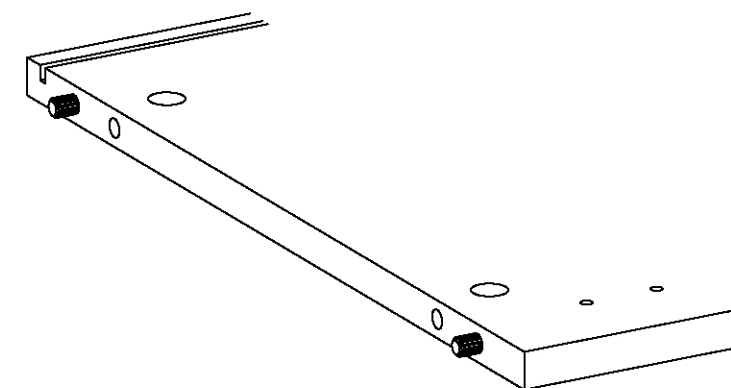
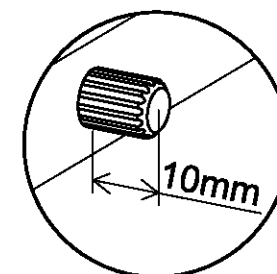
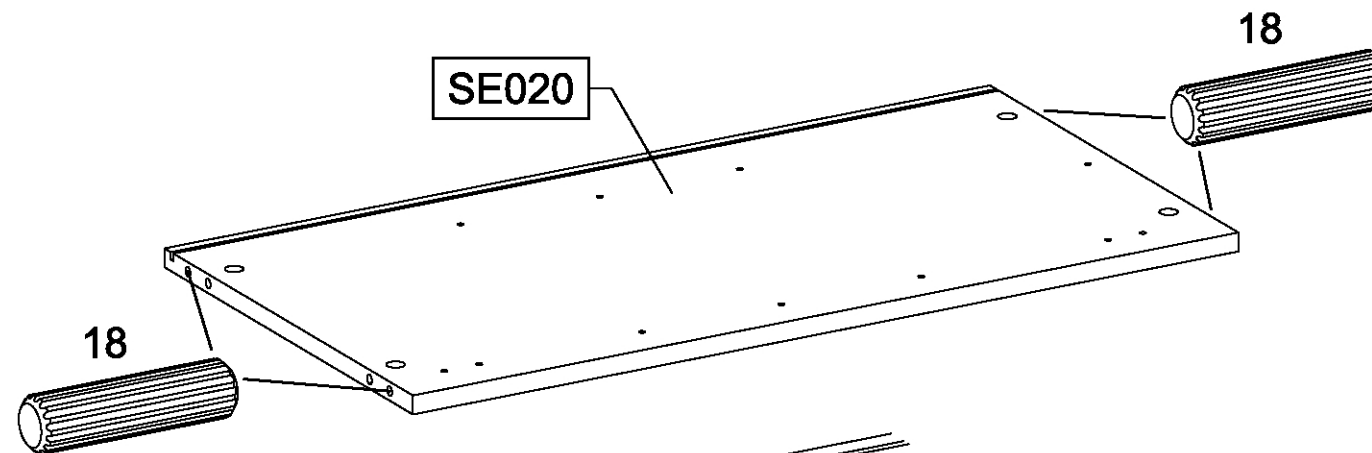
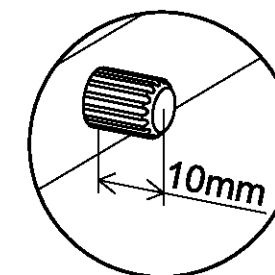
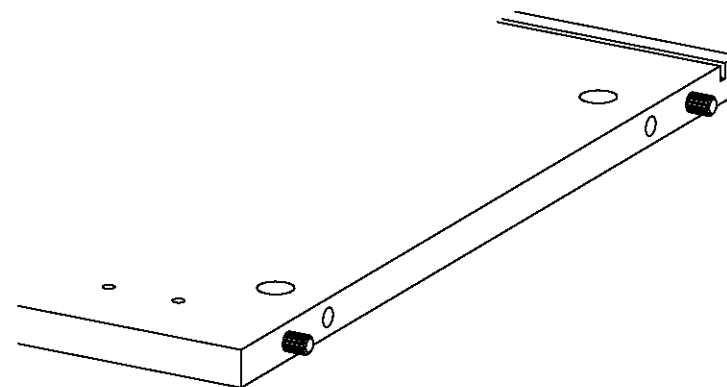
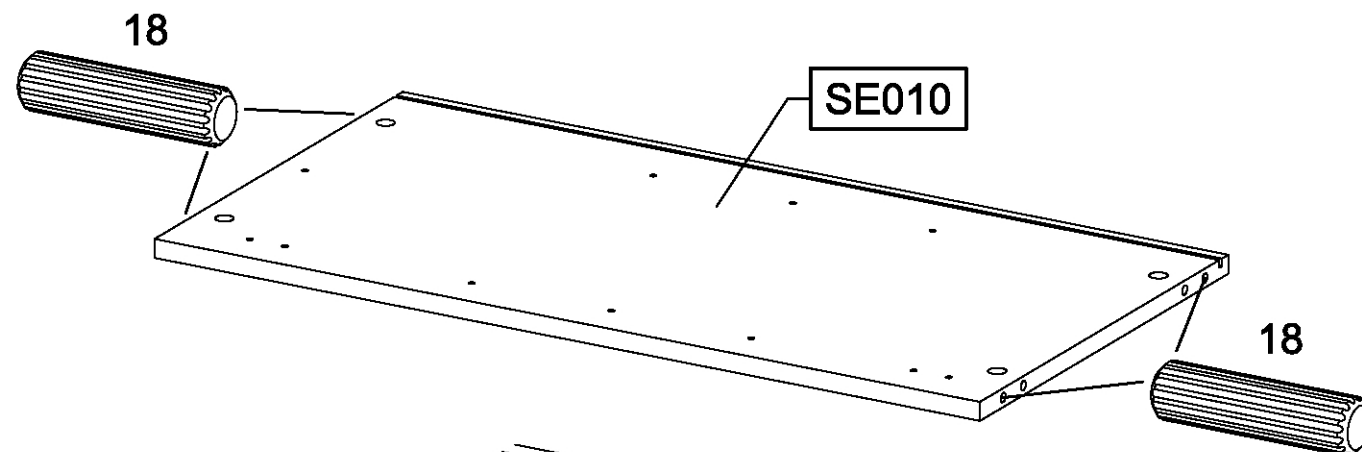
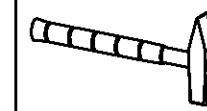


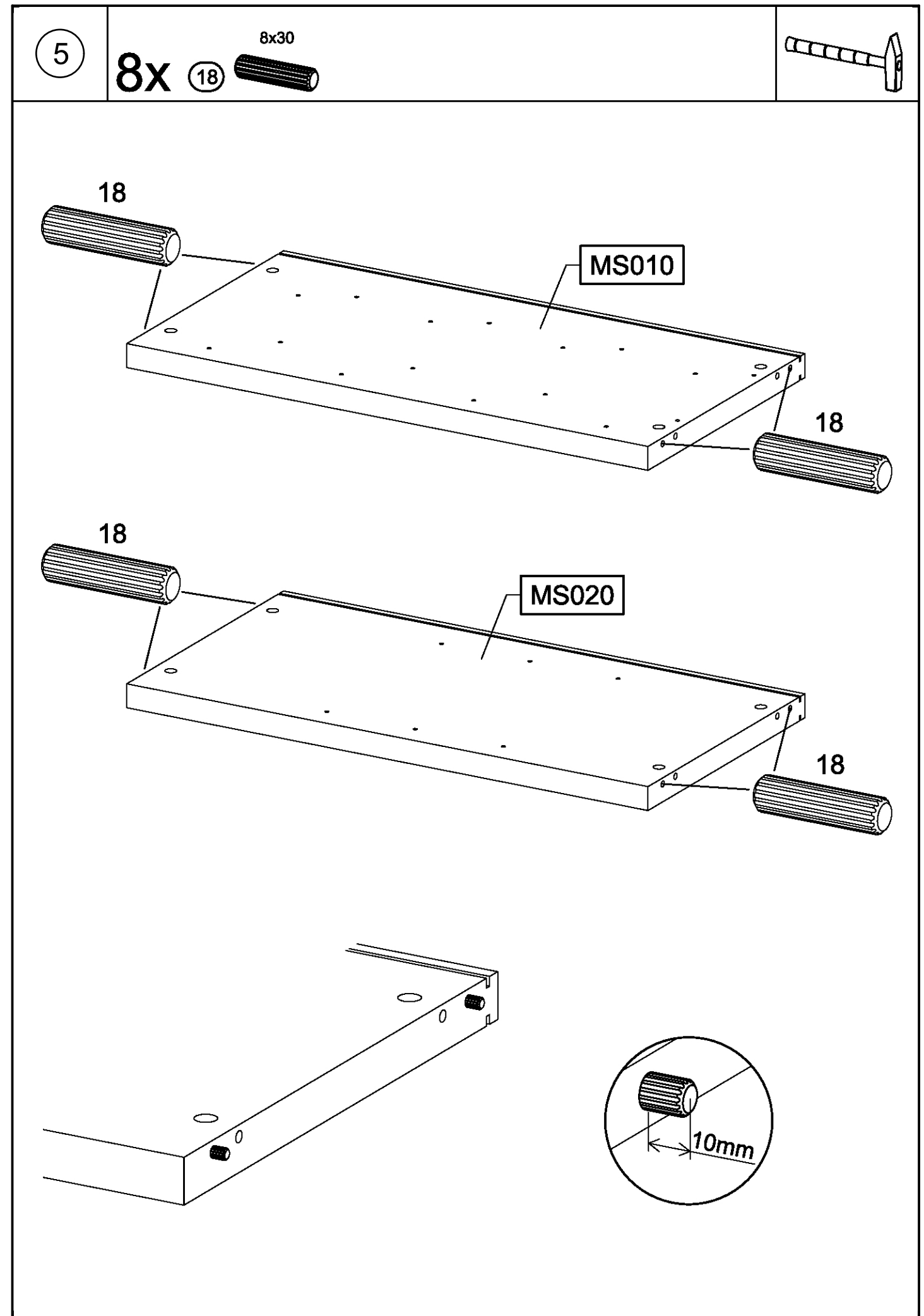
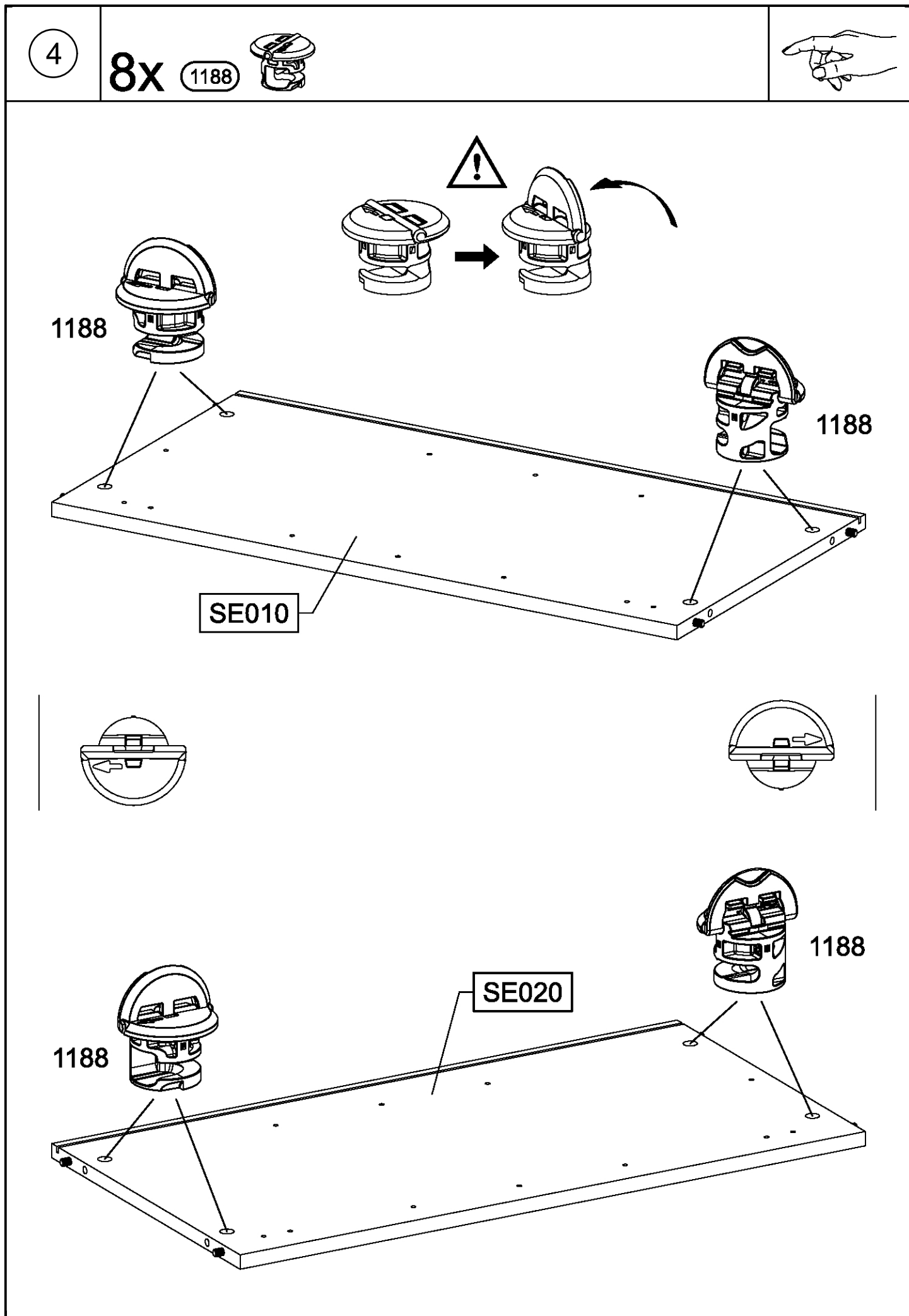
2

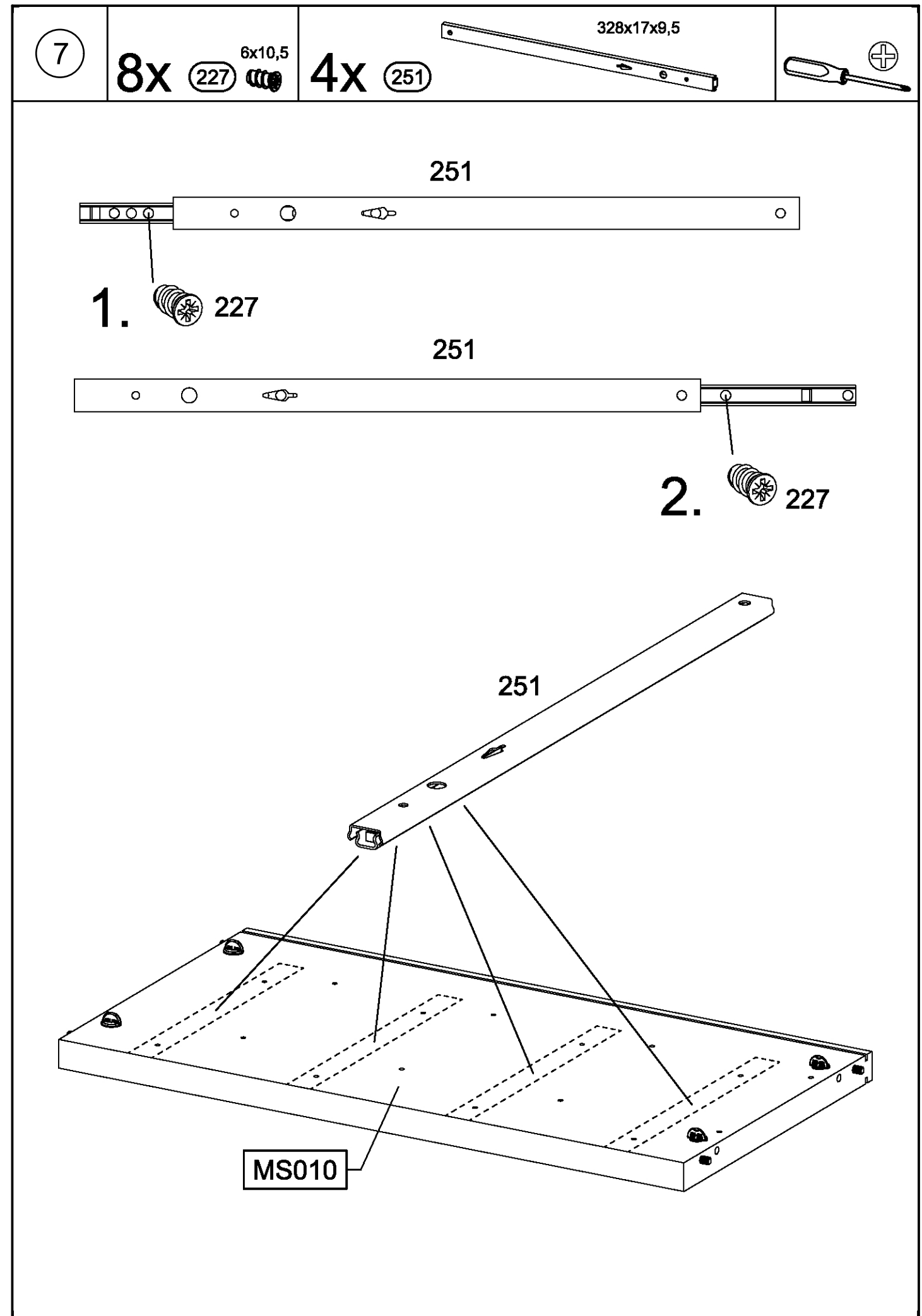
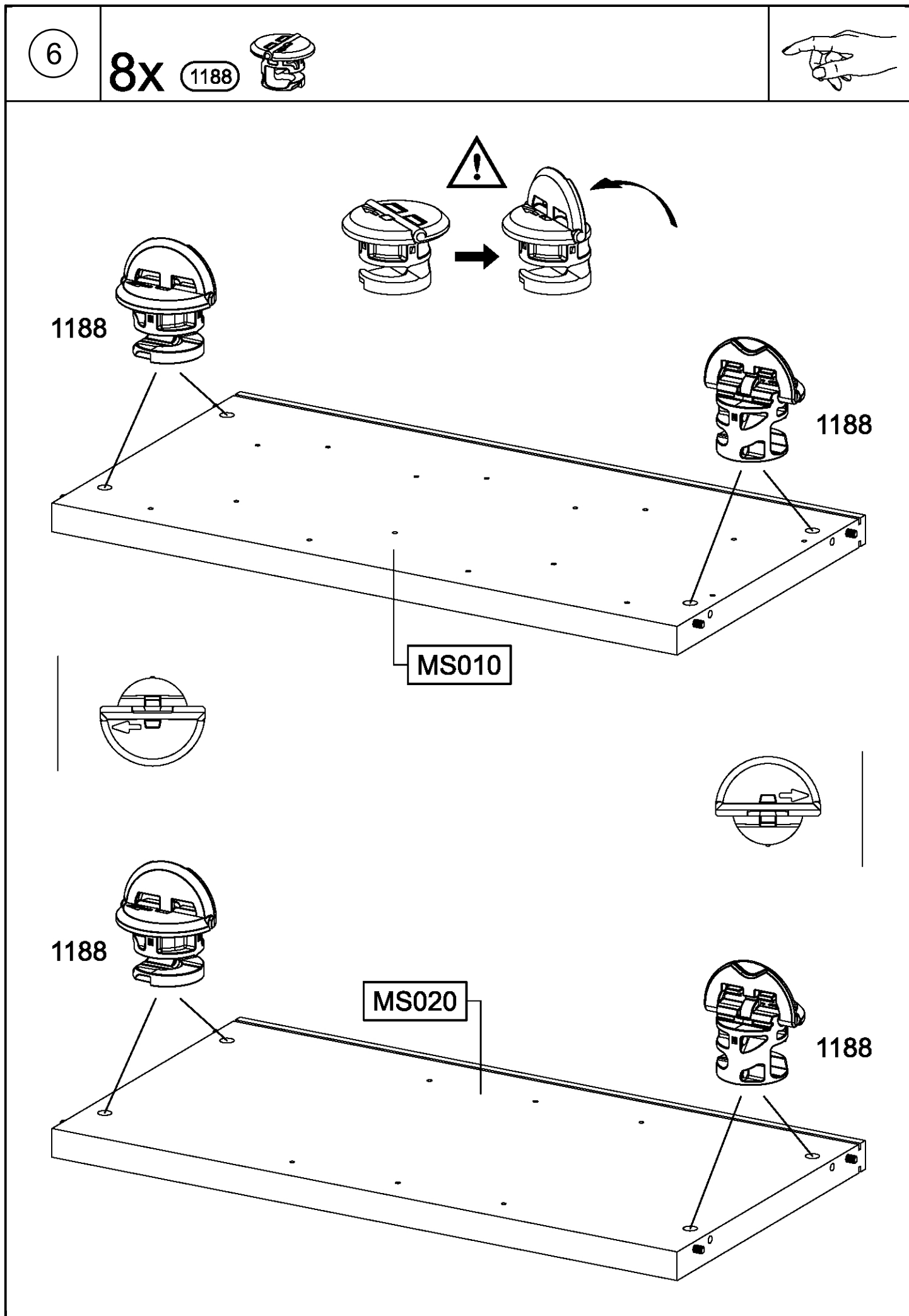


3

8x 18 8x30





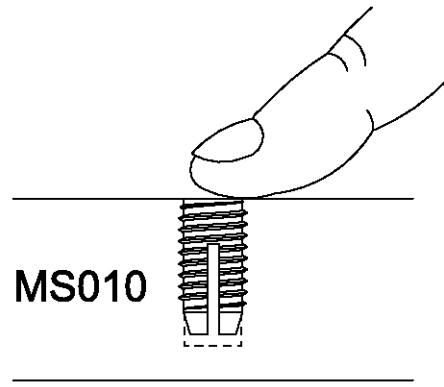
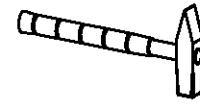


8

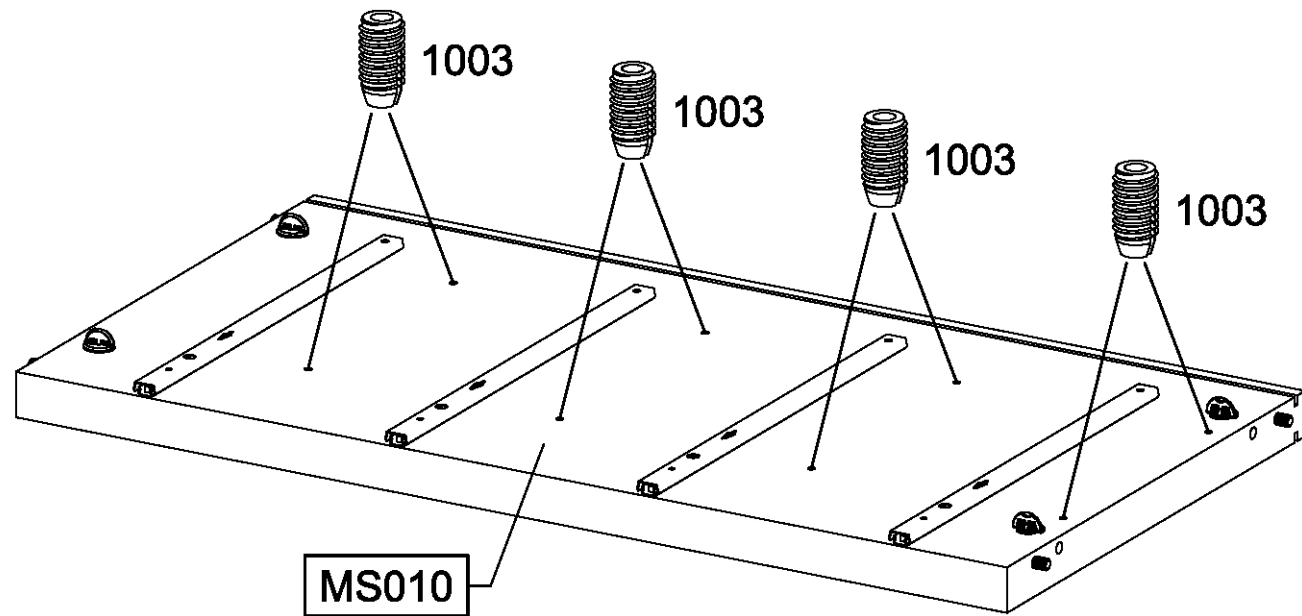
8x

1003

6x12



MS010

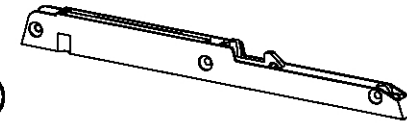


MS010

9

4x

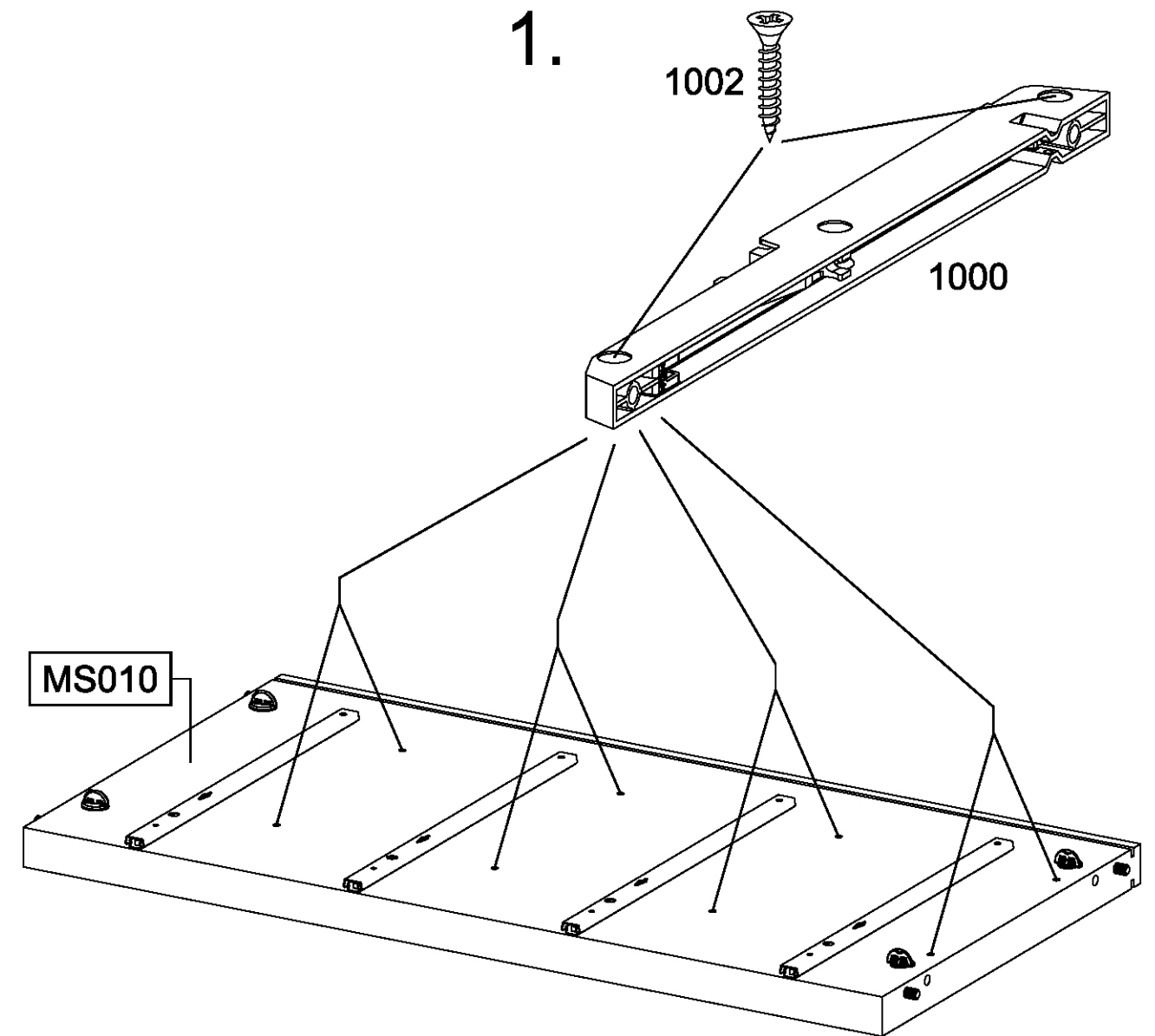
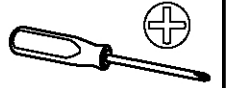
1000



12x

1002

3,5x20



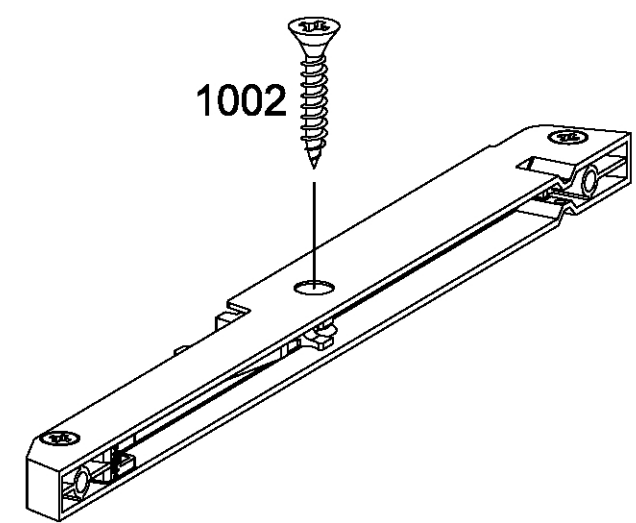
1.

1002

1000

MS010

2.



1002

10

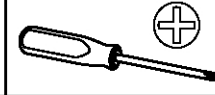
8x

227 6x10,5

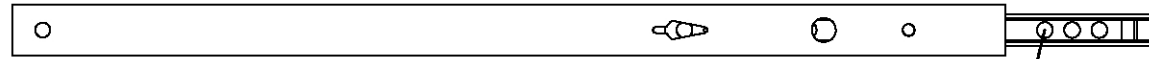
4x

251

328x17x9,5



251



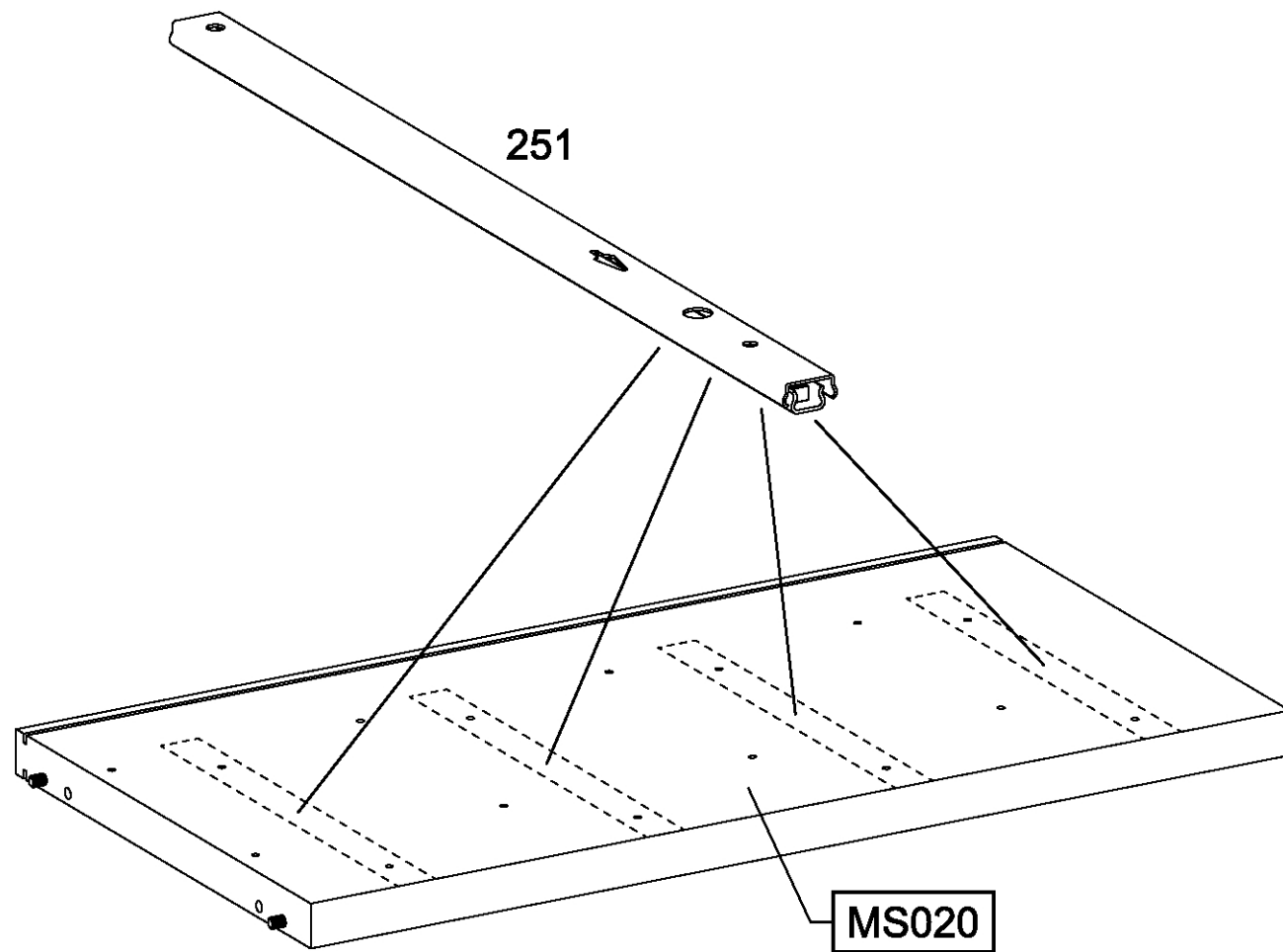
227 1.

251



227 2.

251

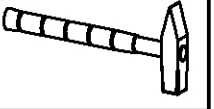


MS020

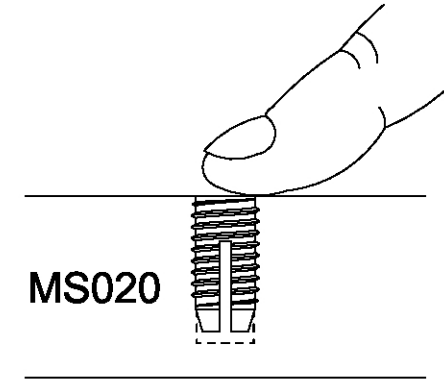
11

8x

1003 6x12



MS020

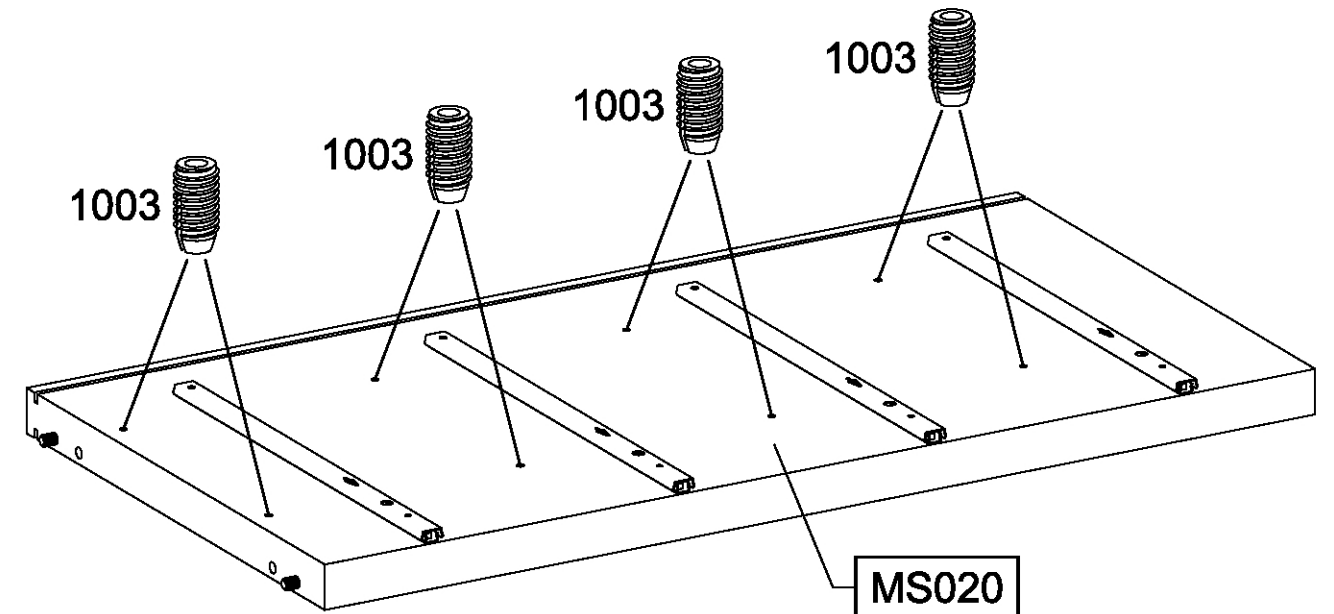


1003

1003

1003

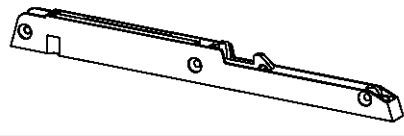
1003



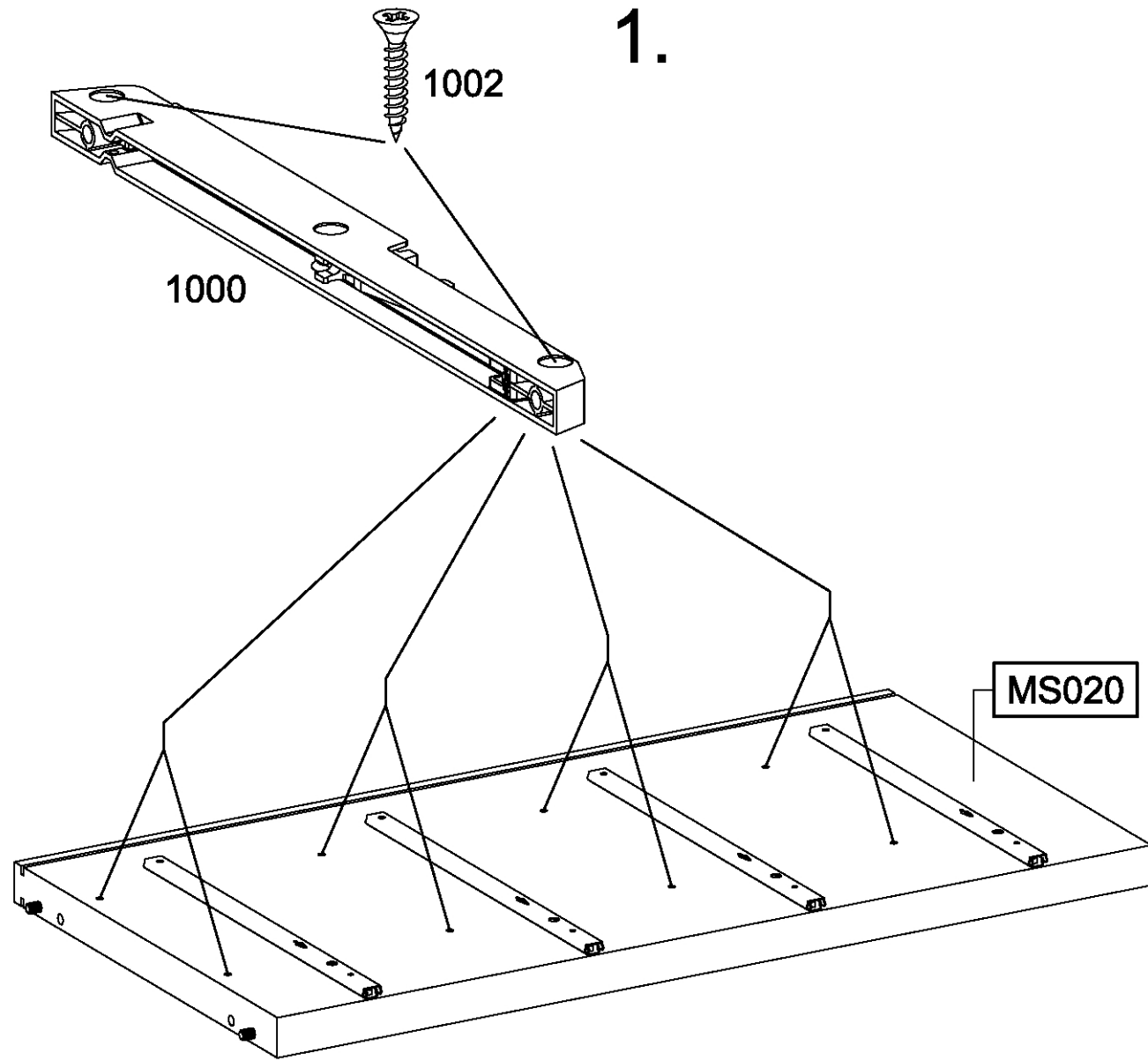
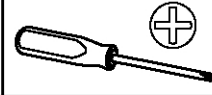
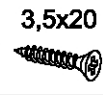
MS020

12

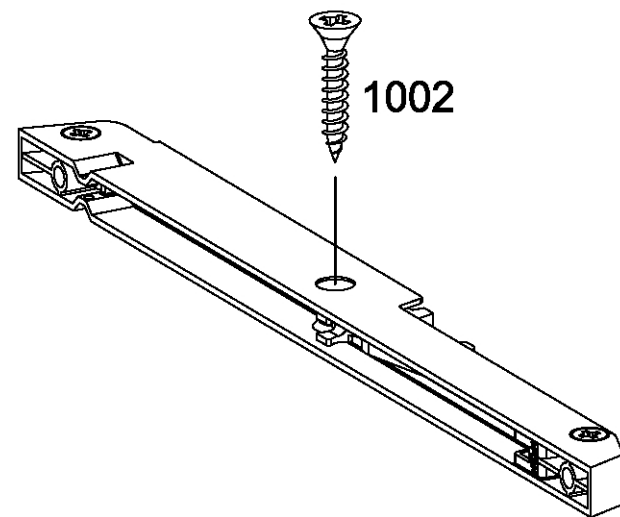
4x 1000



12x 1002

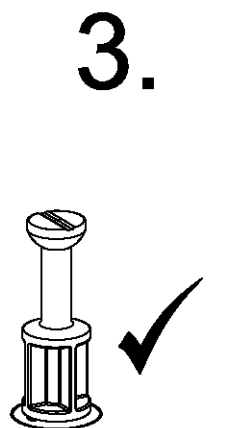
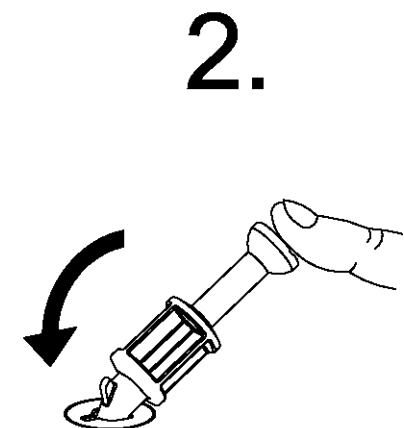
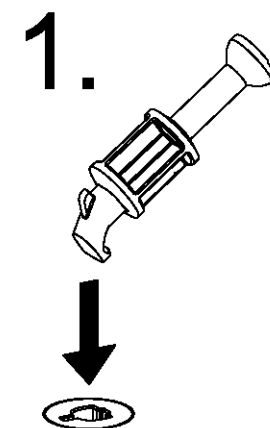
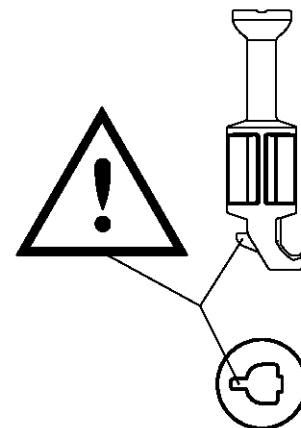
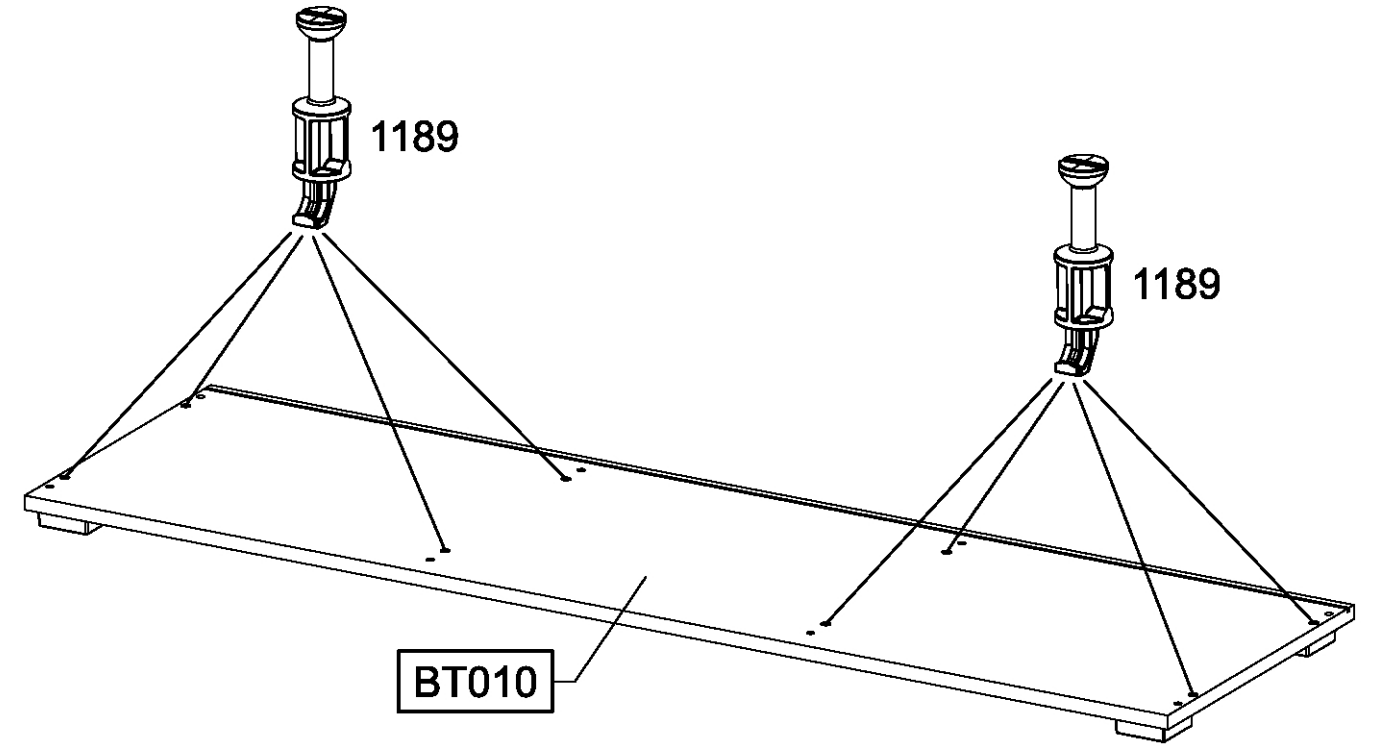


2.

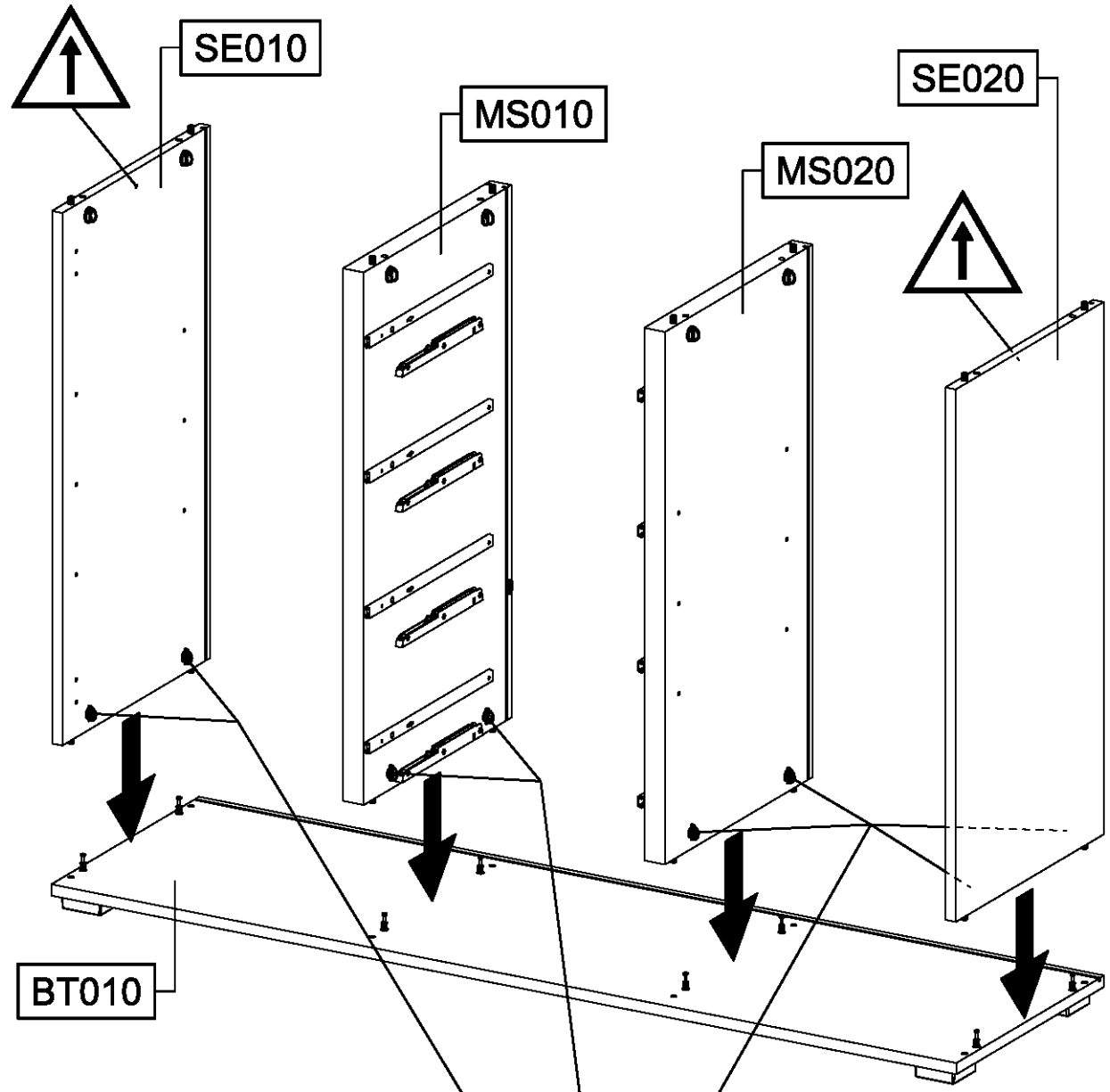


13

8x 1189

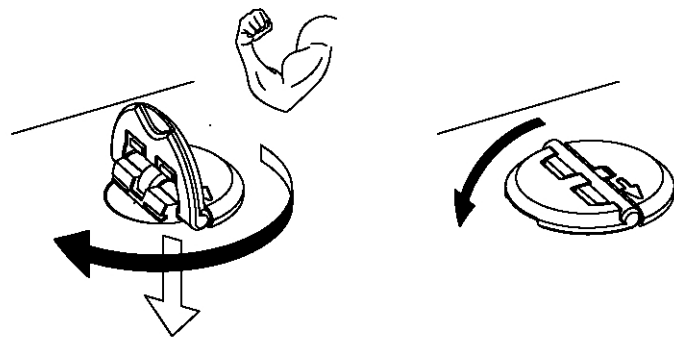


14

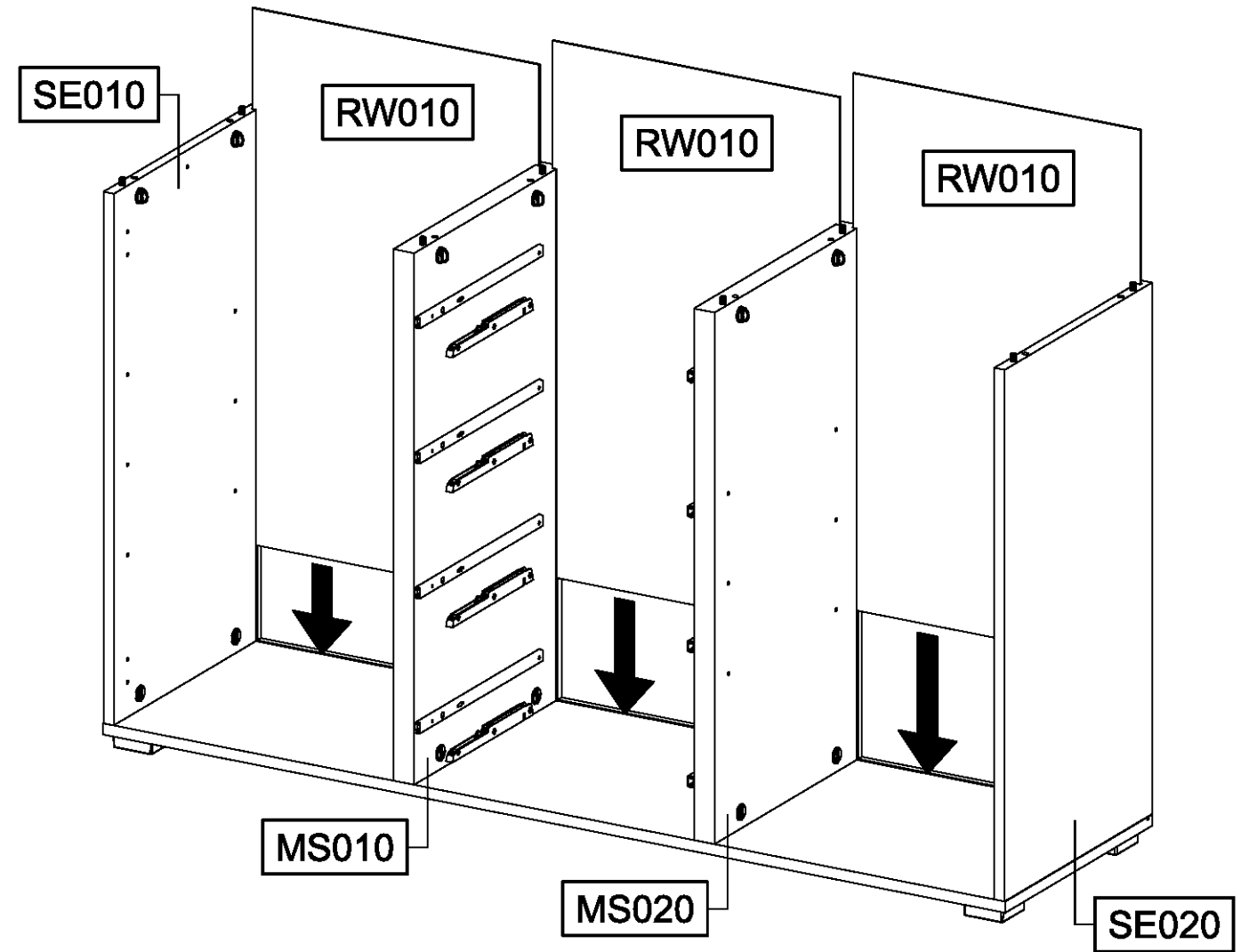


1.

2.

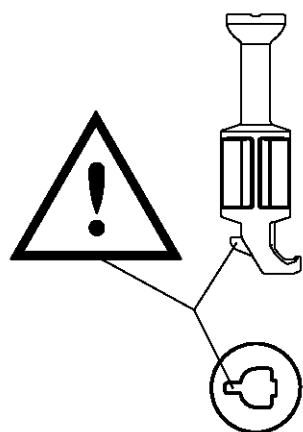
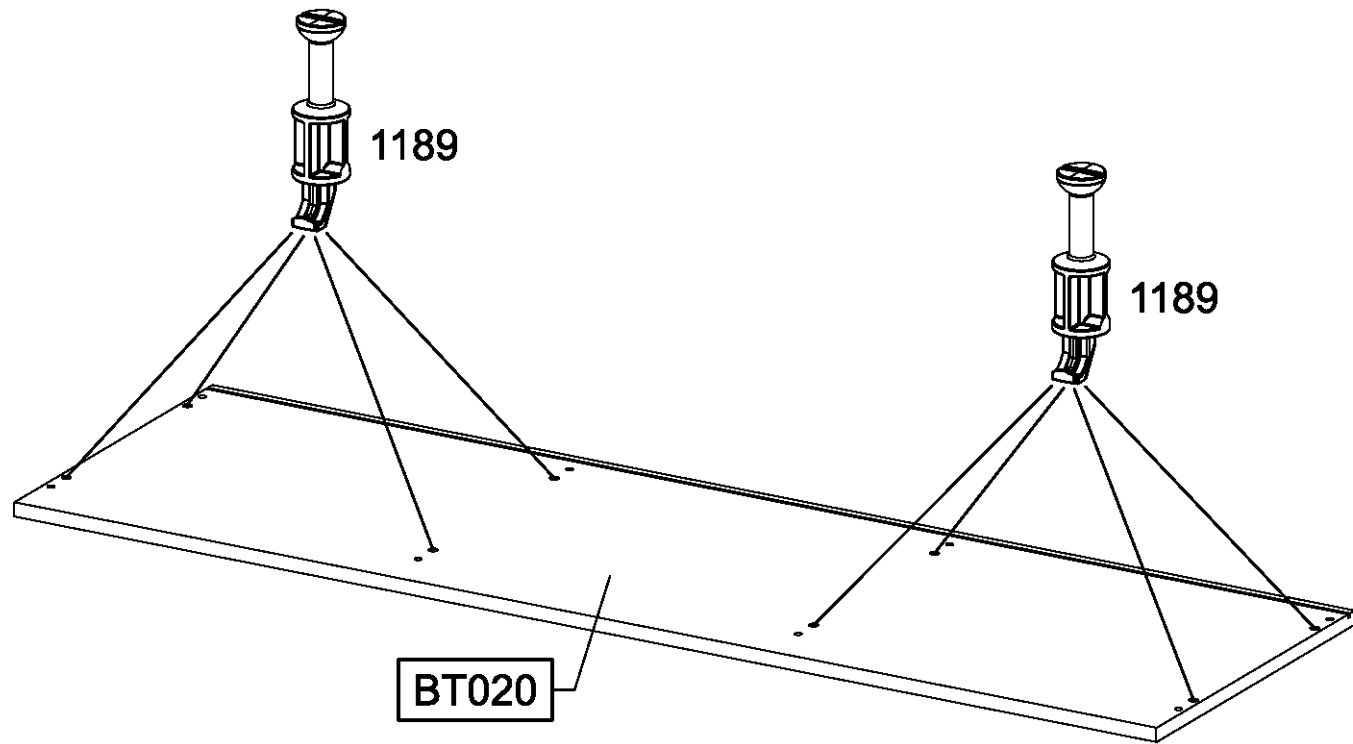


15

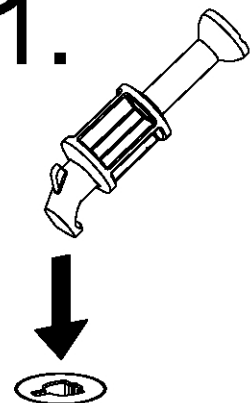


16

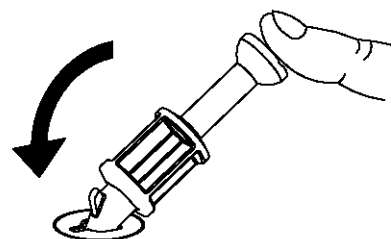
8x 1189



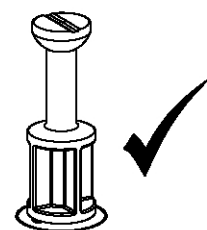
1.



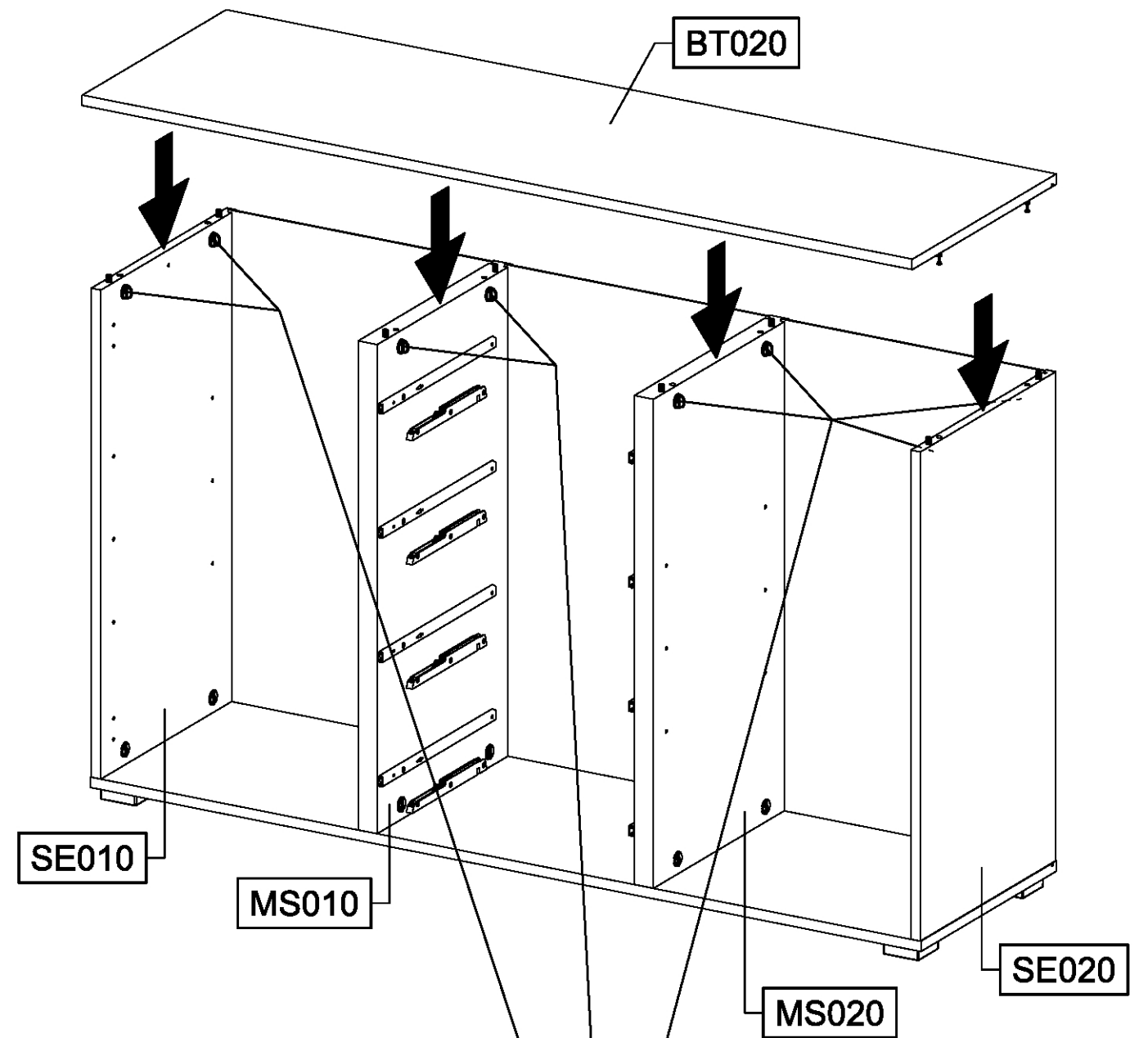
2.



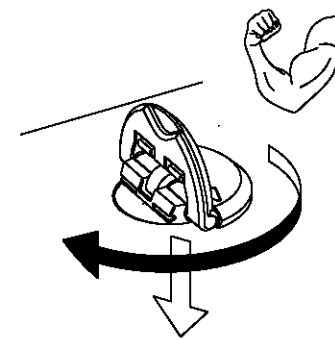
3.



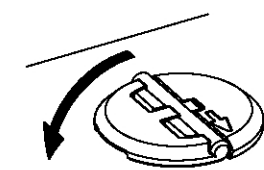
17



1.



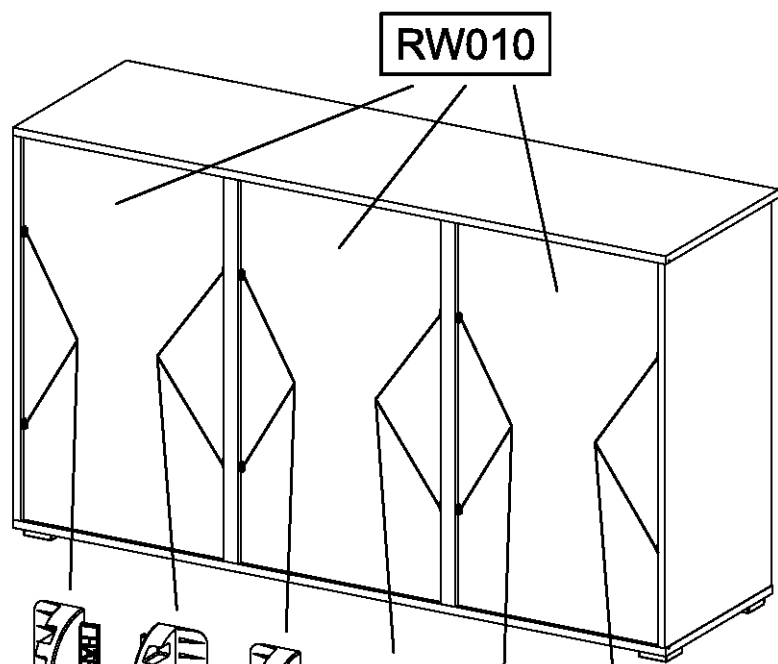
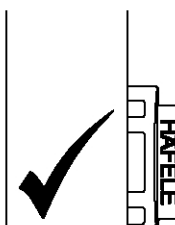
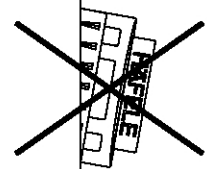
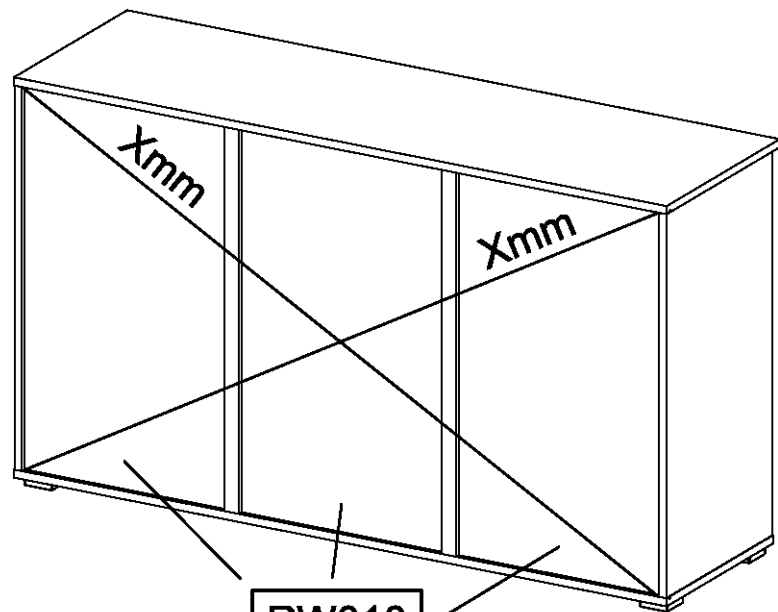
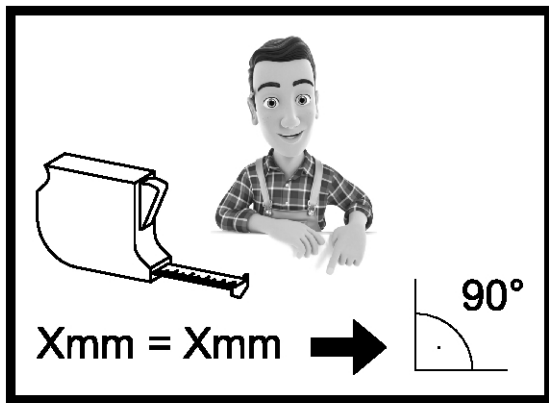
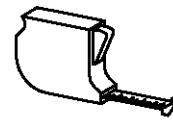
2.



18

12x

1090



SE010  
SE020  
MS010  
MS020

1090

1090

1090

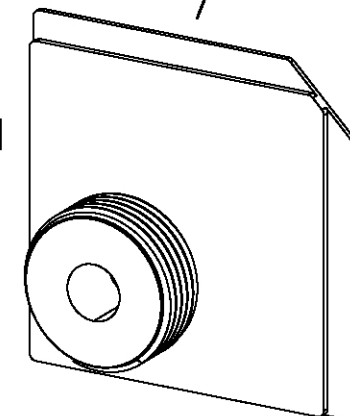
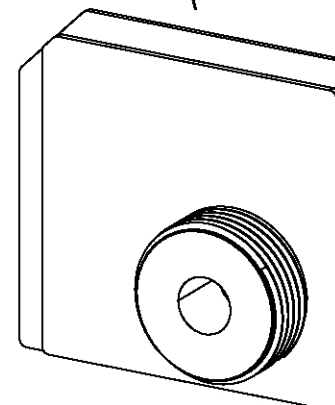
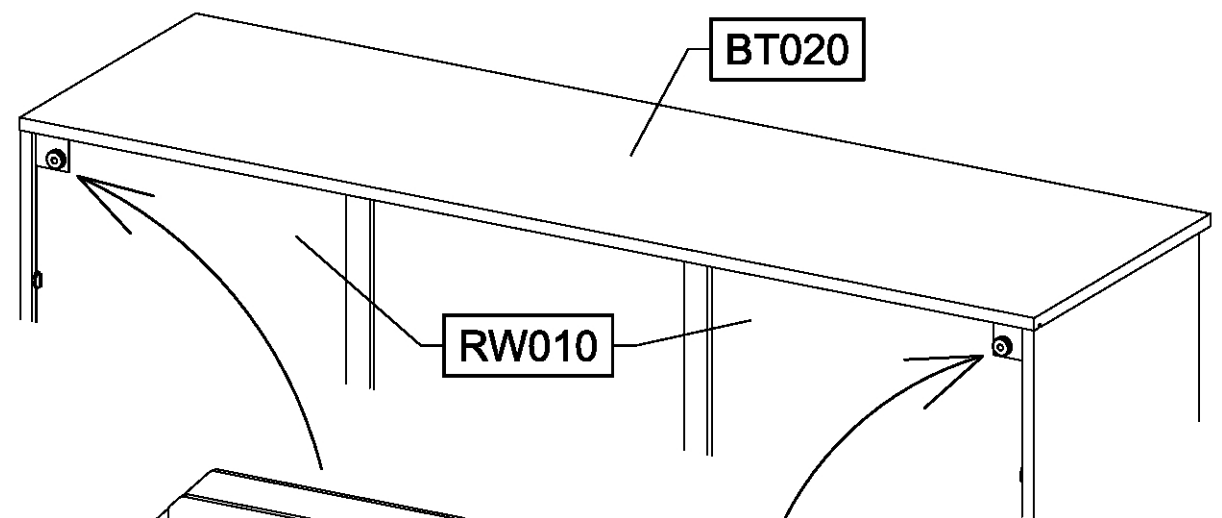
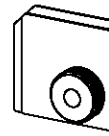
RW010

1090

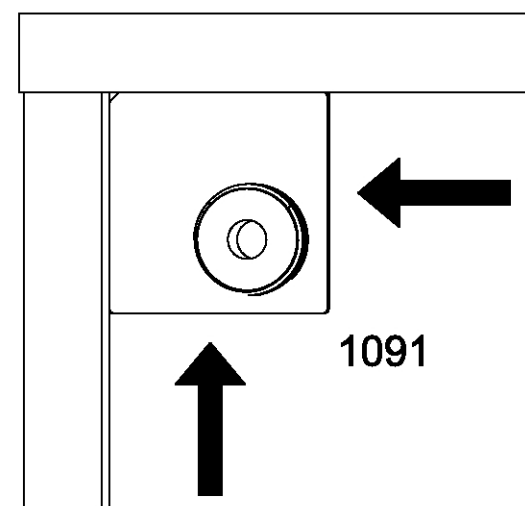
19

2x

1091

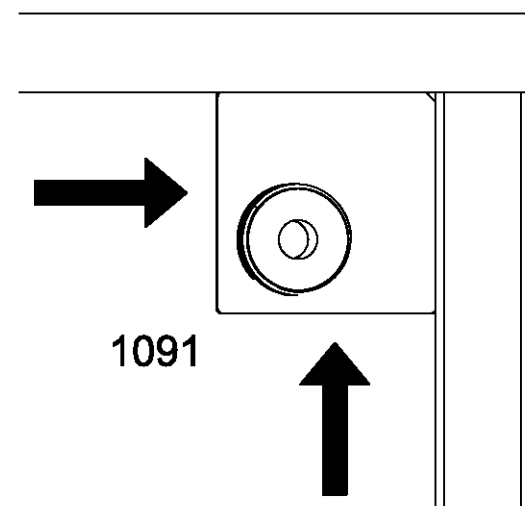


1091



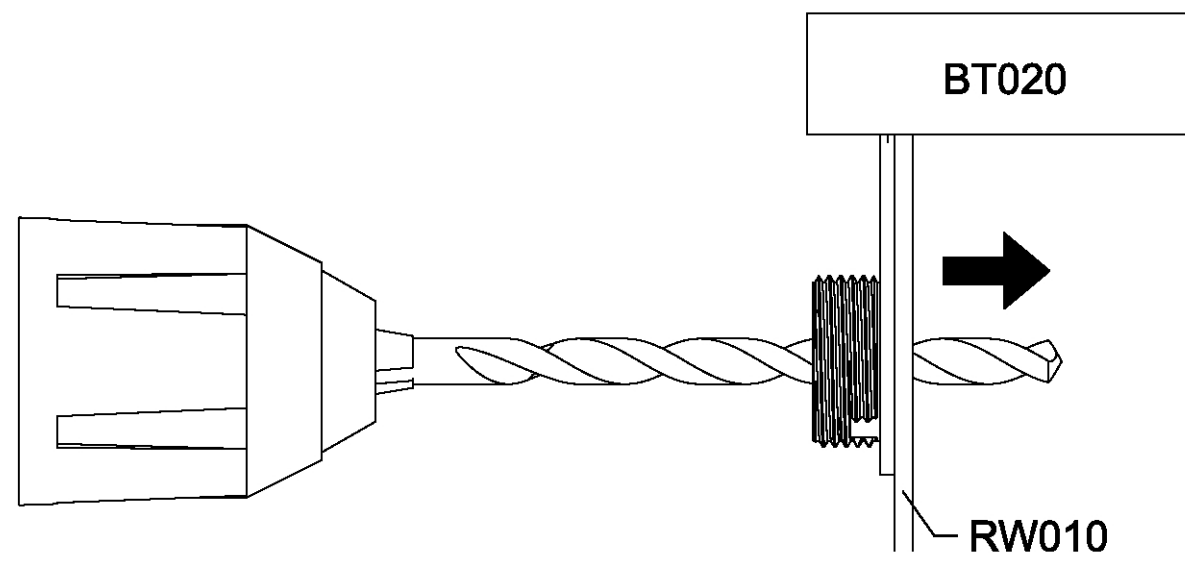
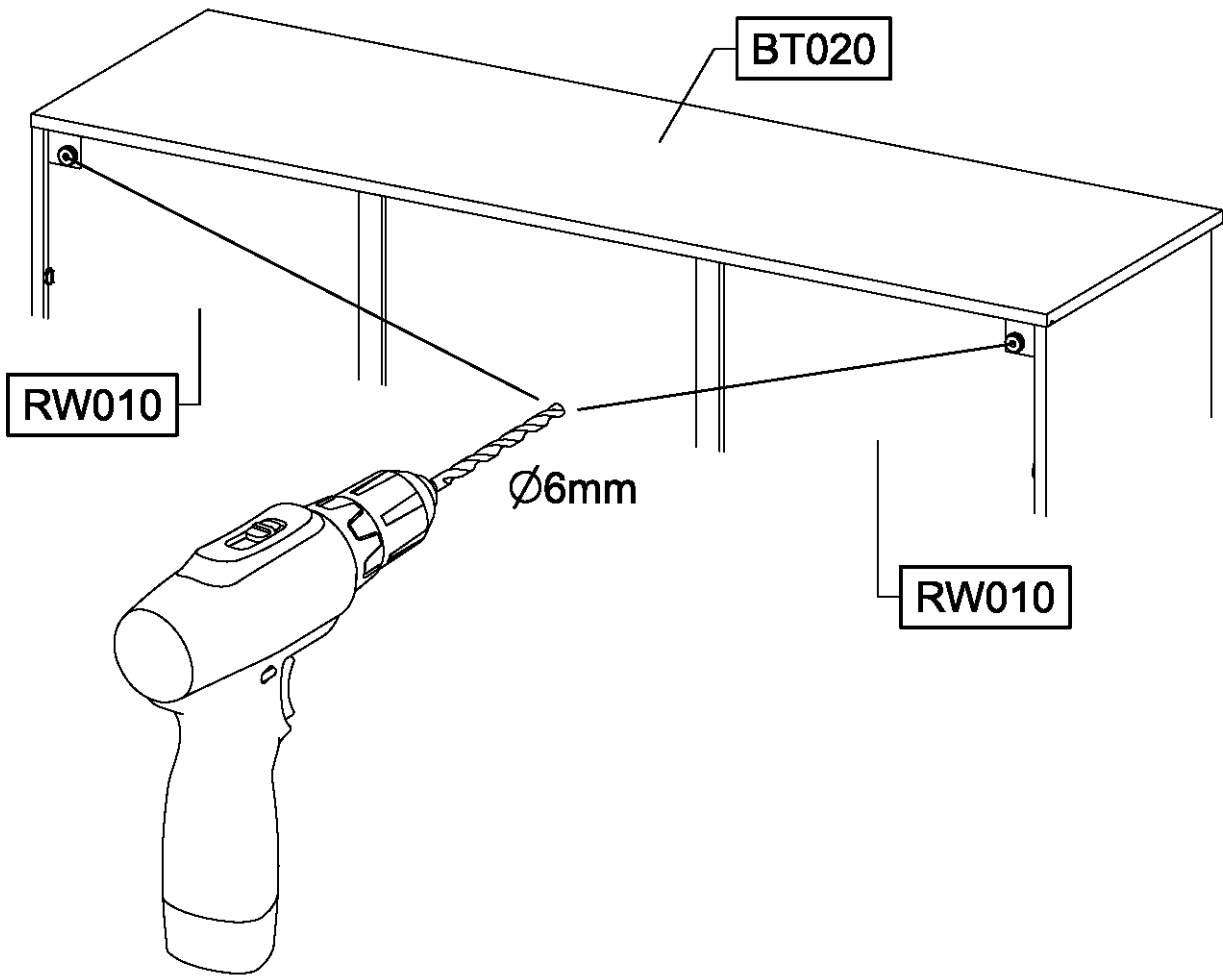
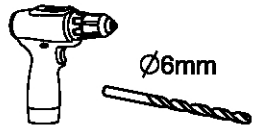
RW010

1091

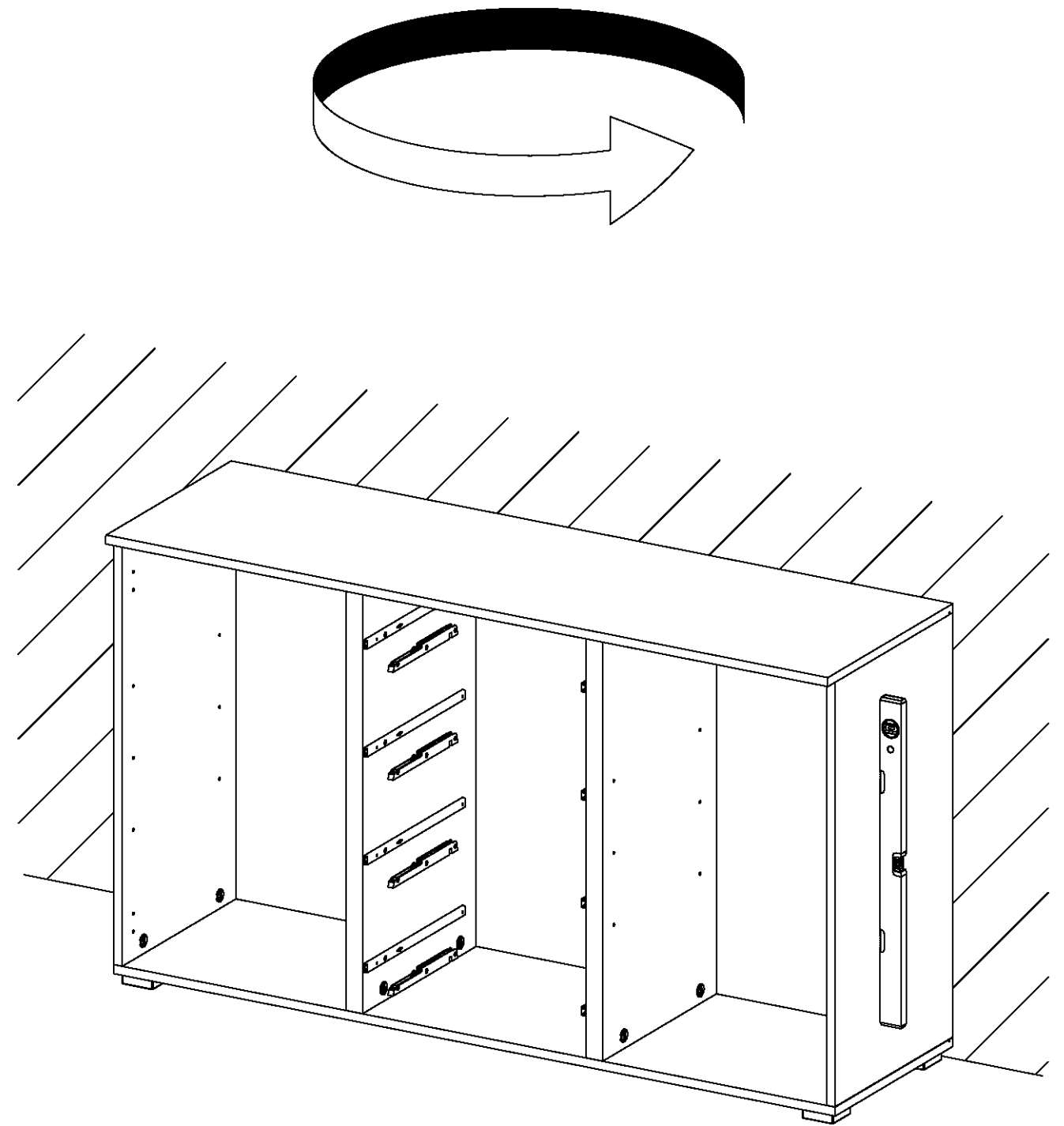


1091

20



21



22

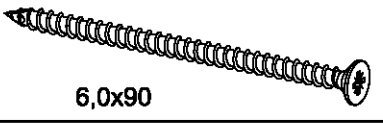
2x

1093

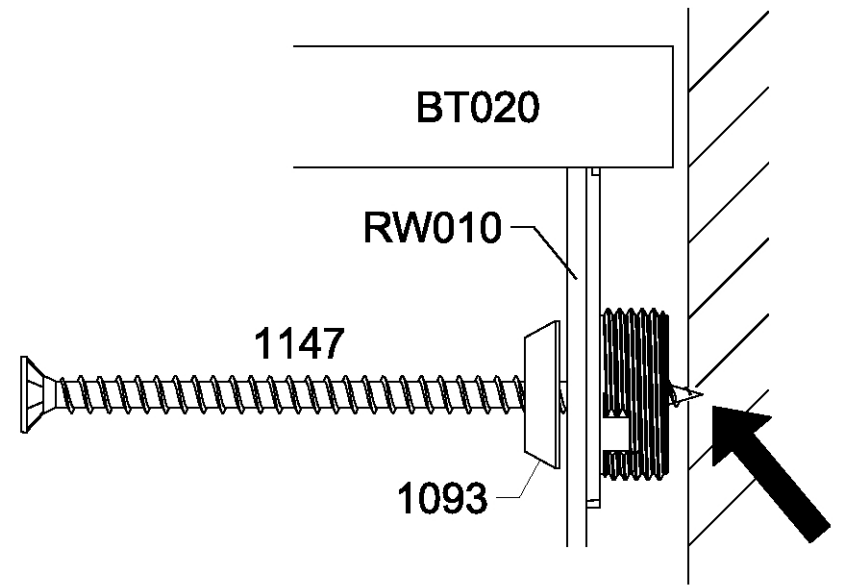
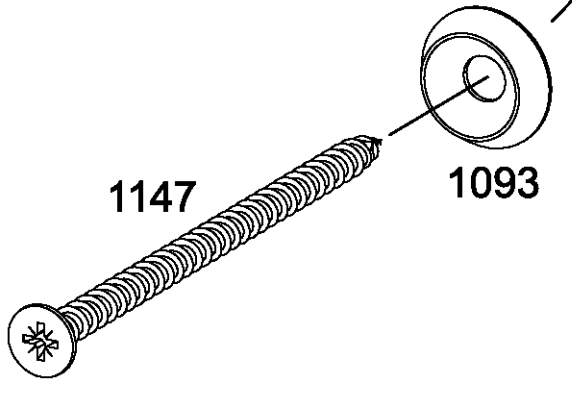
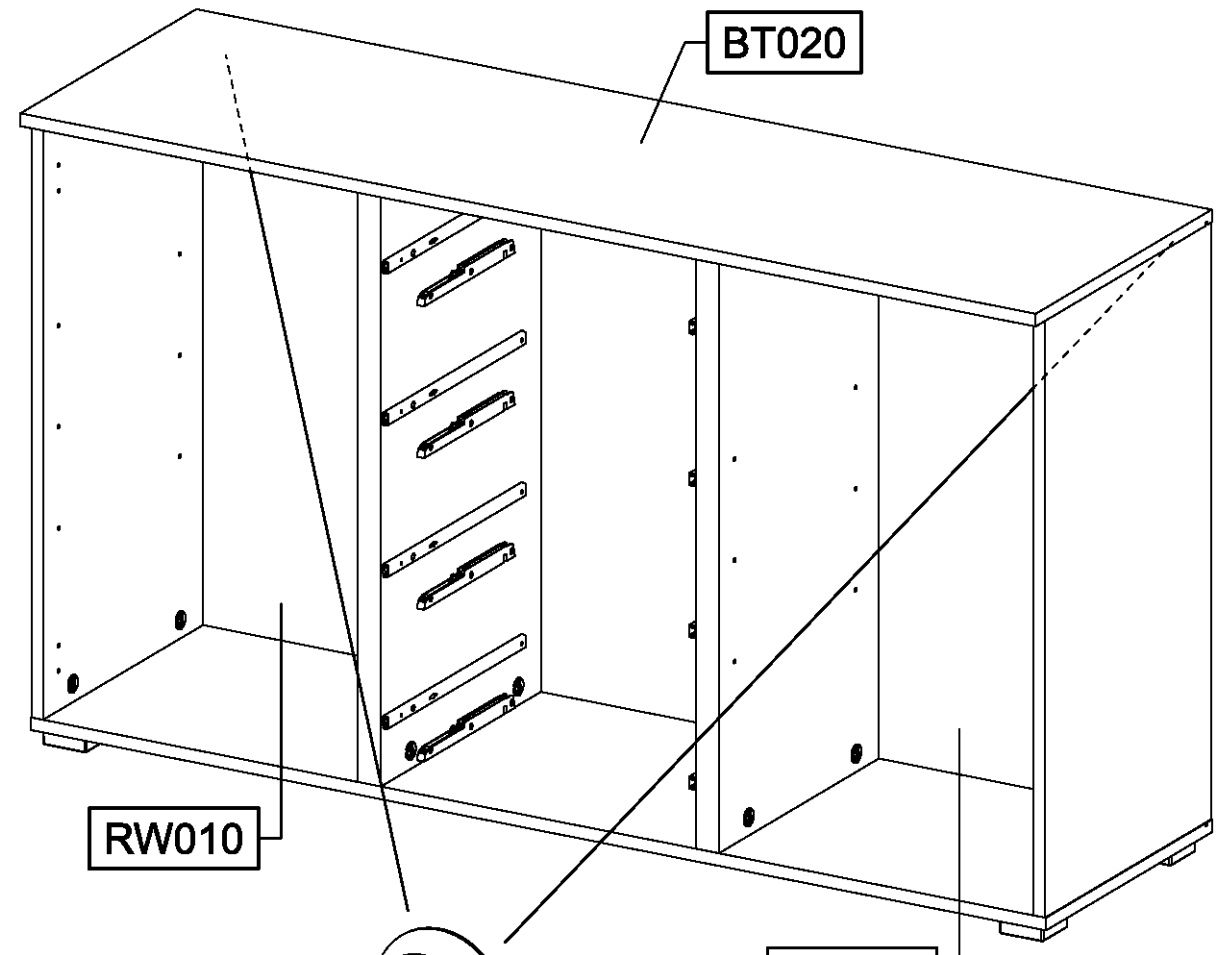
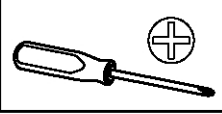


2x

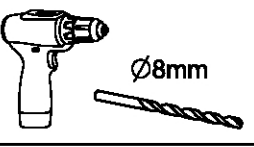
1147



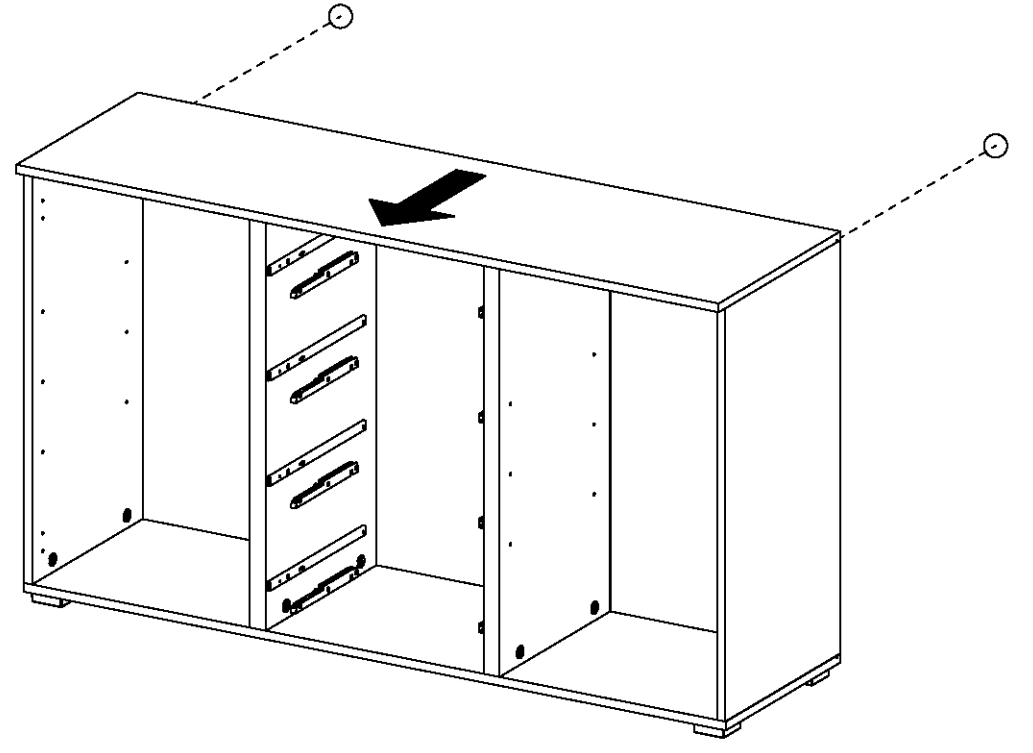
6,0x90



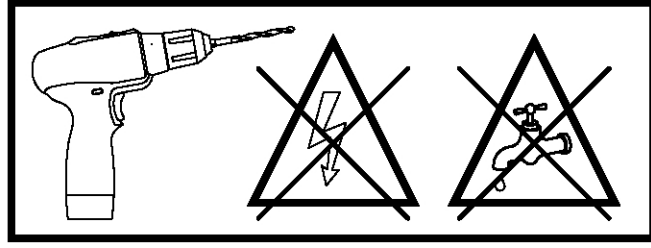
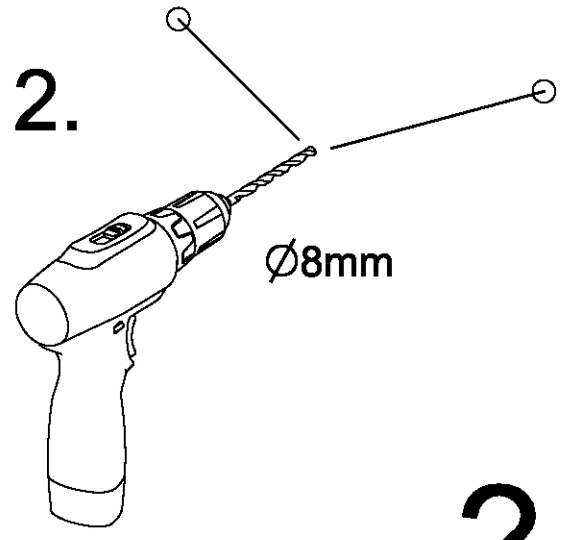
23



1.

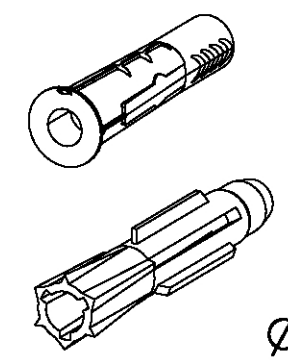


2.



?

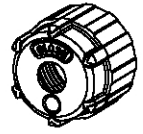
3.



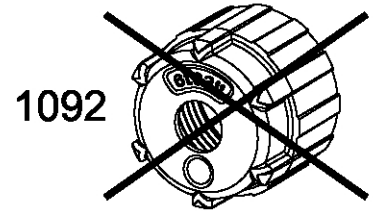
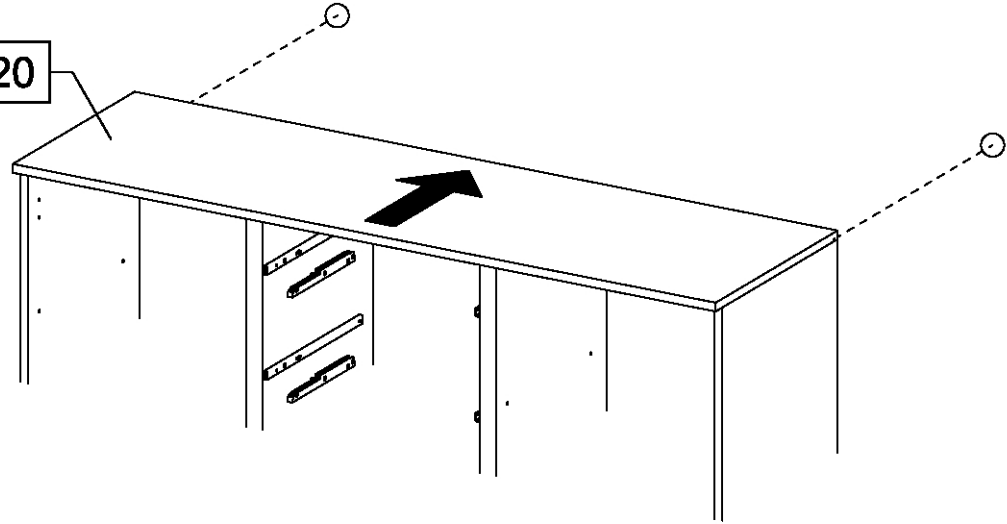
Ø8mm

24

2x 1092



BT020



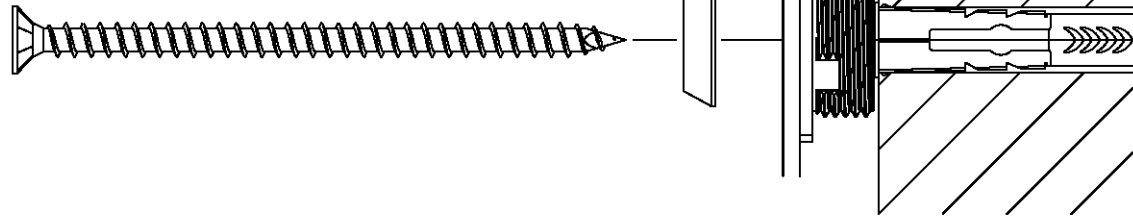
1092



BT020

1093

1147



10-15mm

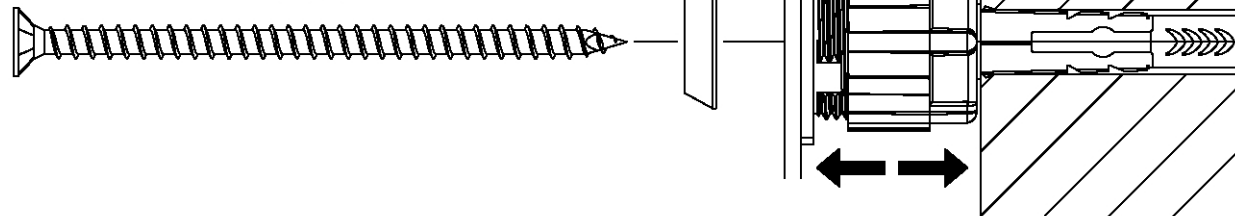


BT020

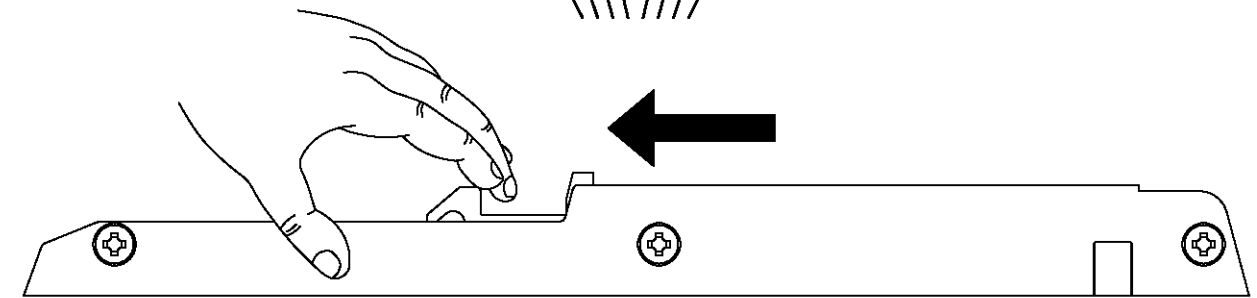
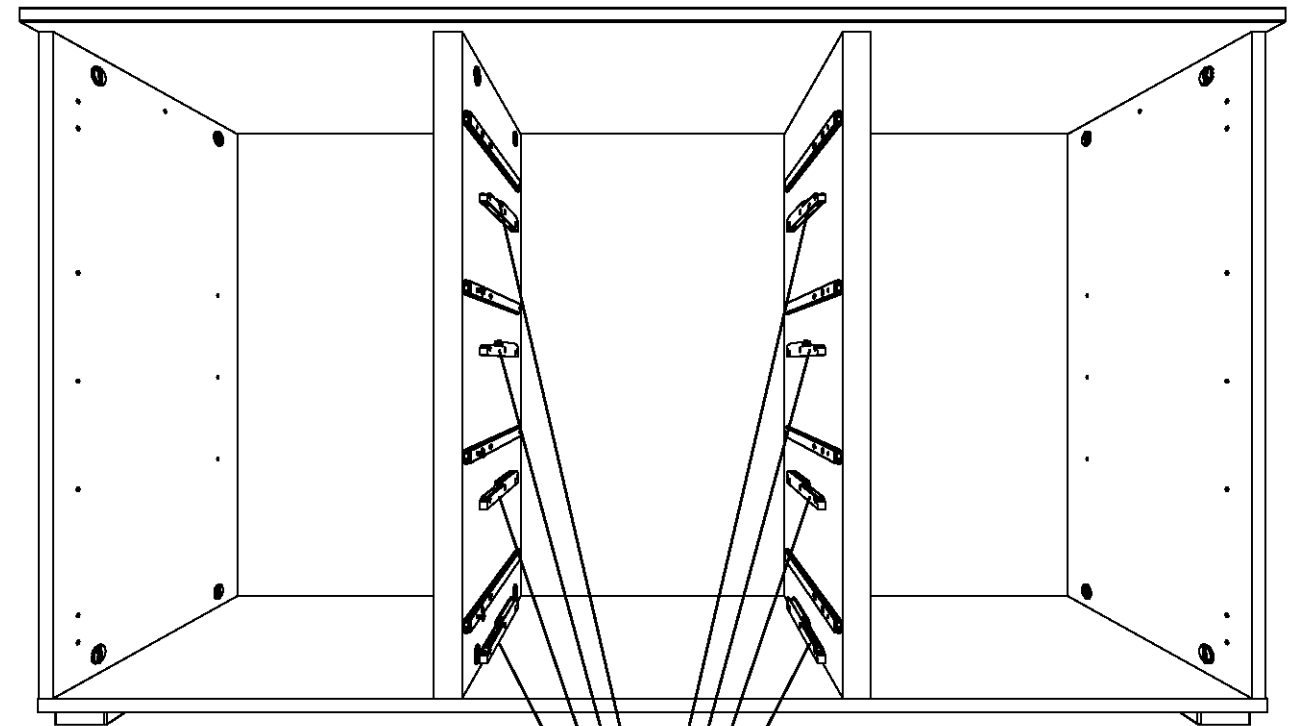
1093

1092

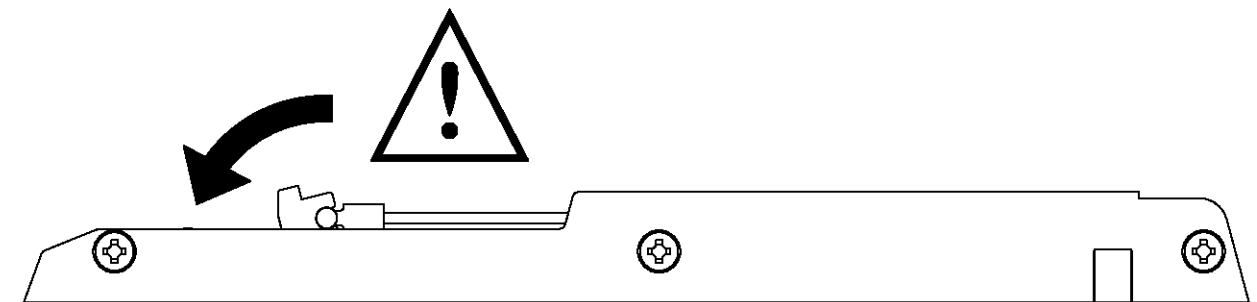
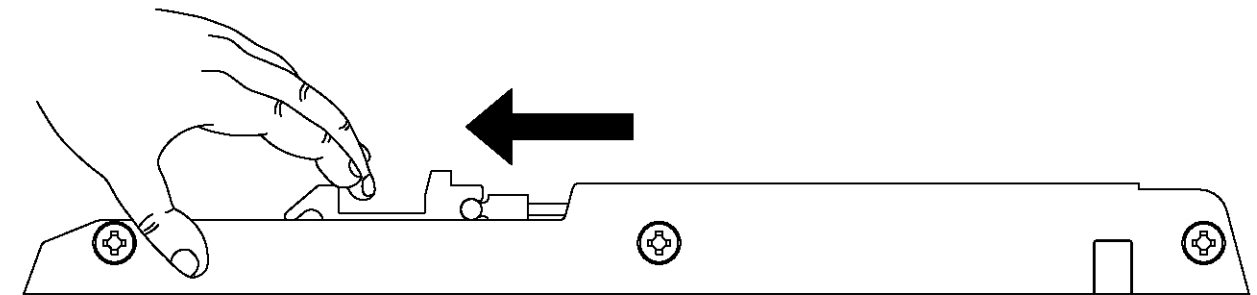
1147



25



1000



26

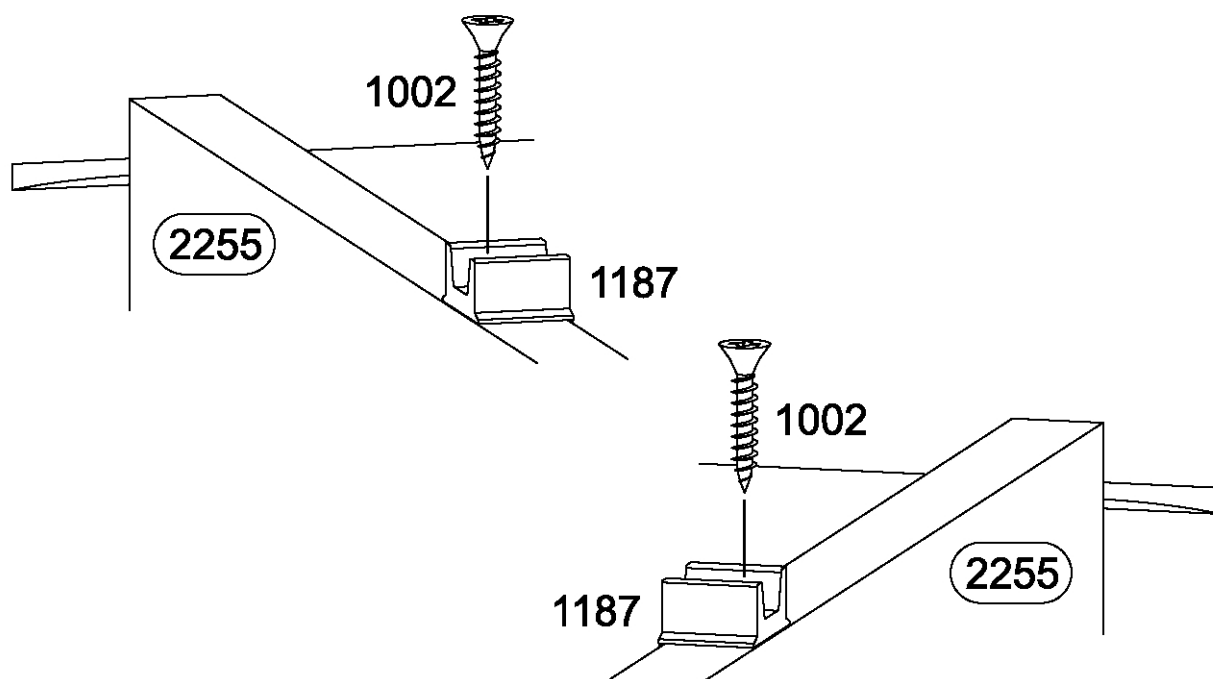
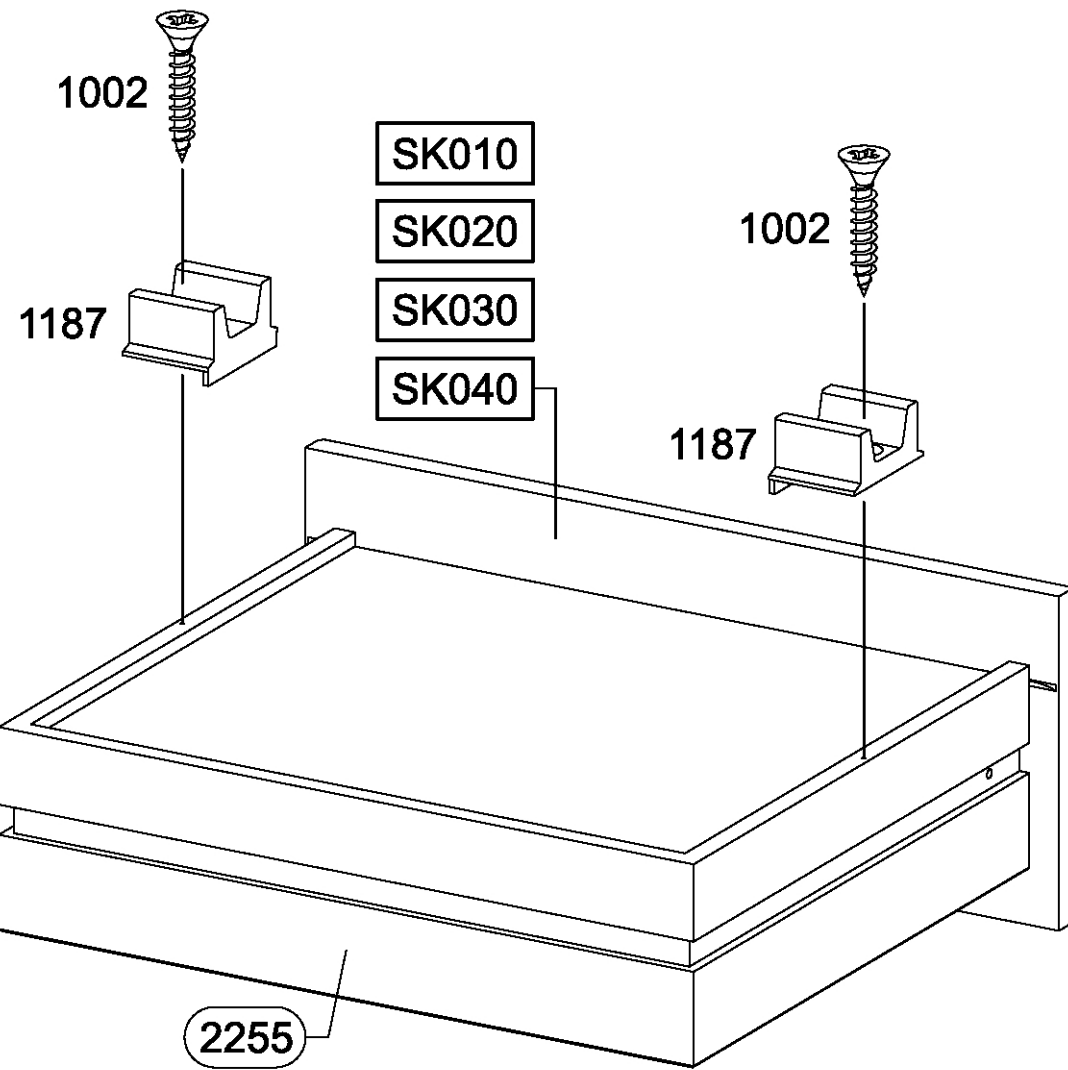
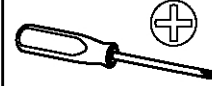
8x

1002



8x

1187

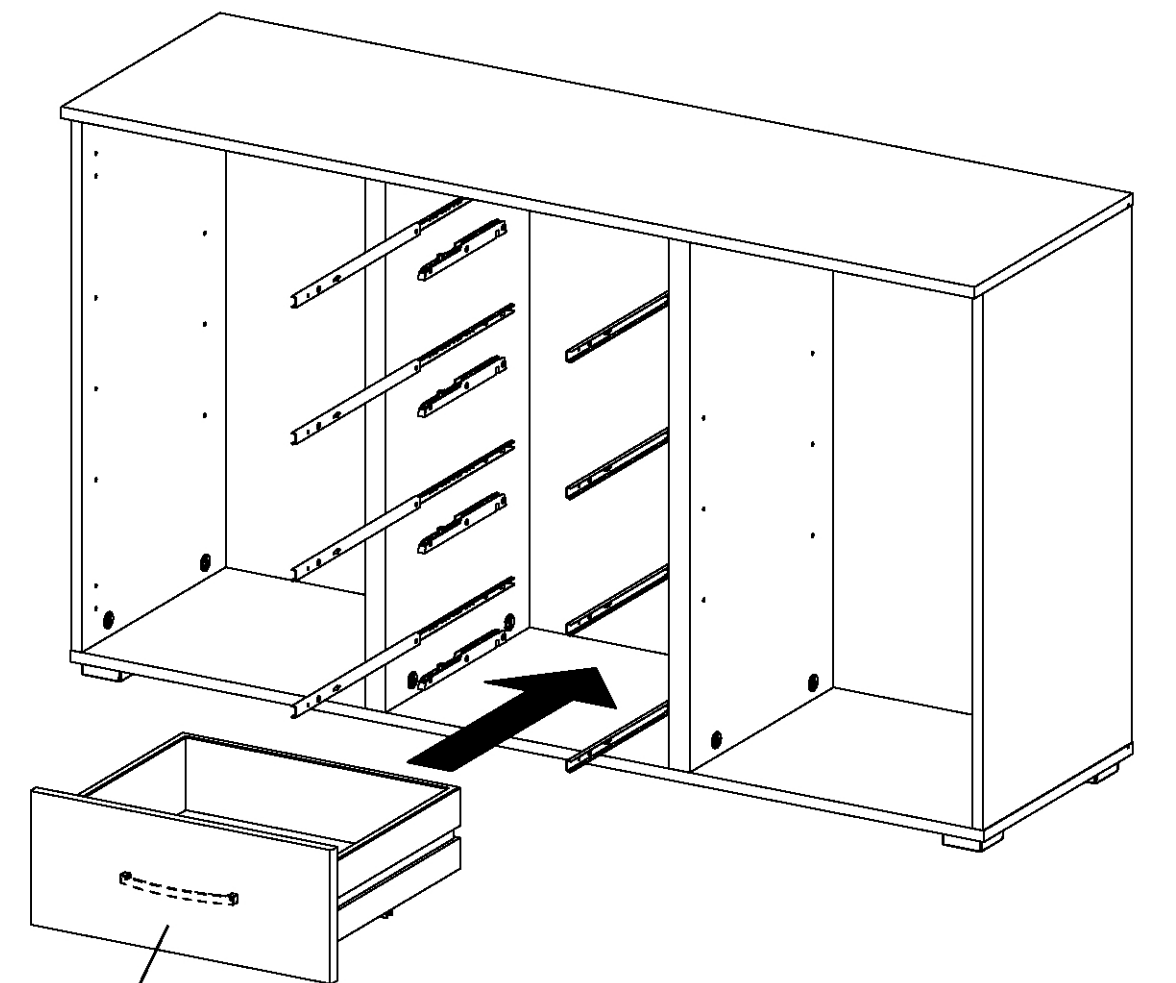
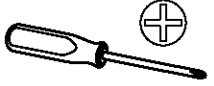


27

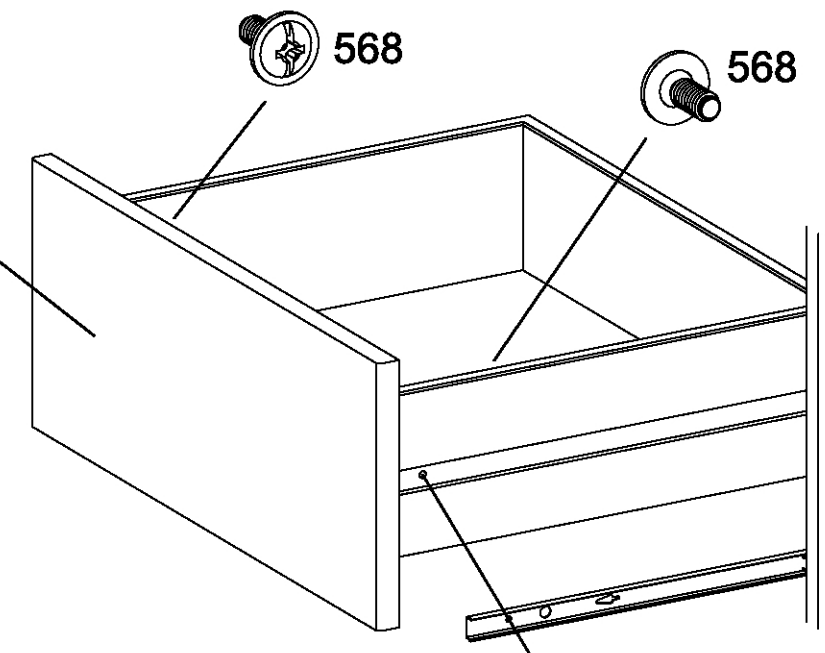
8x

568

M4x9

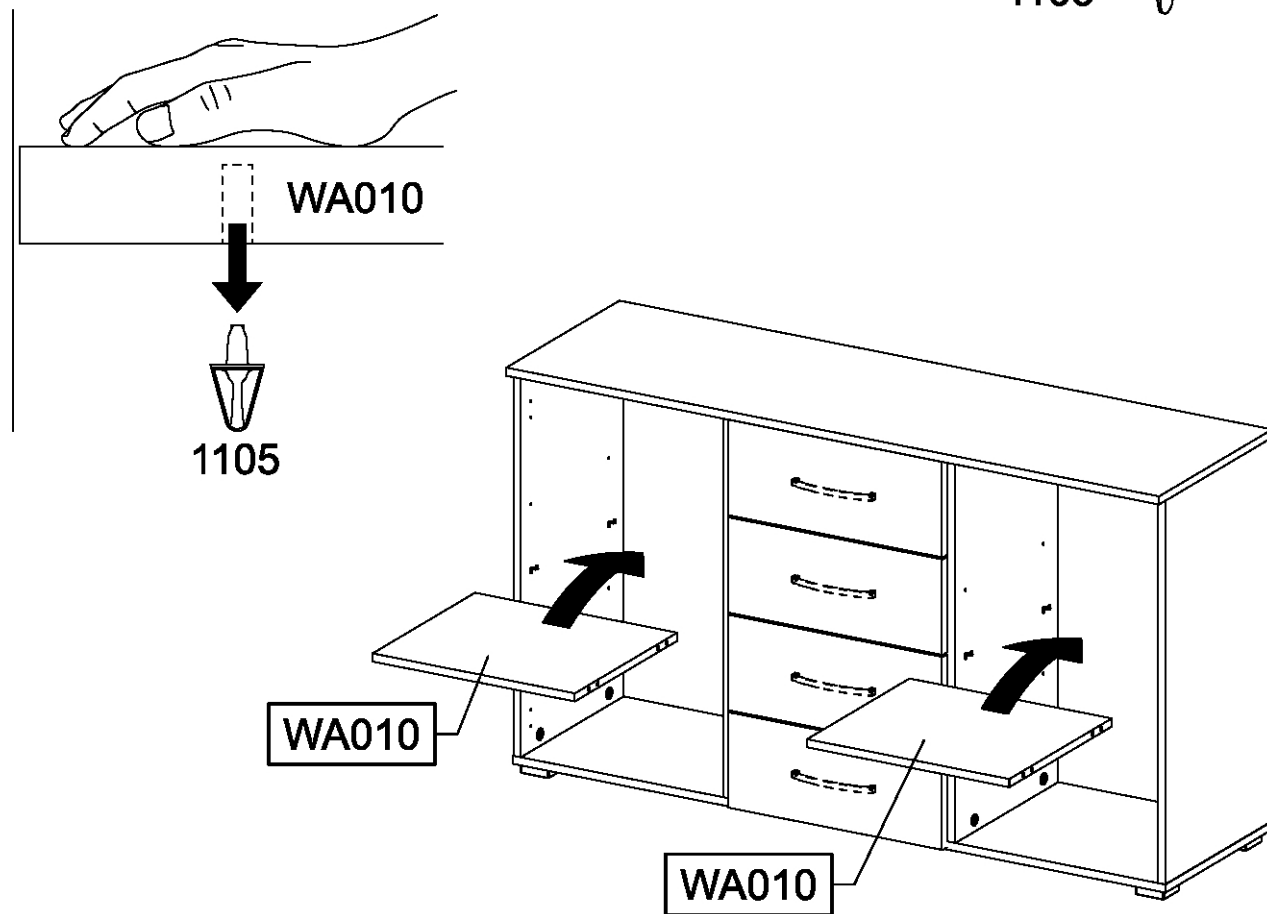
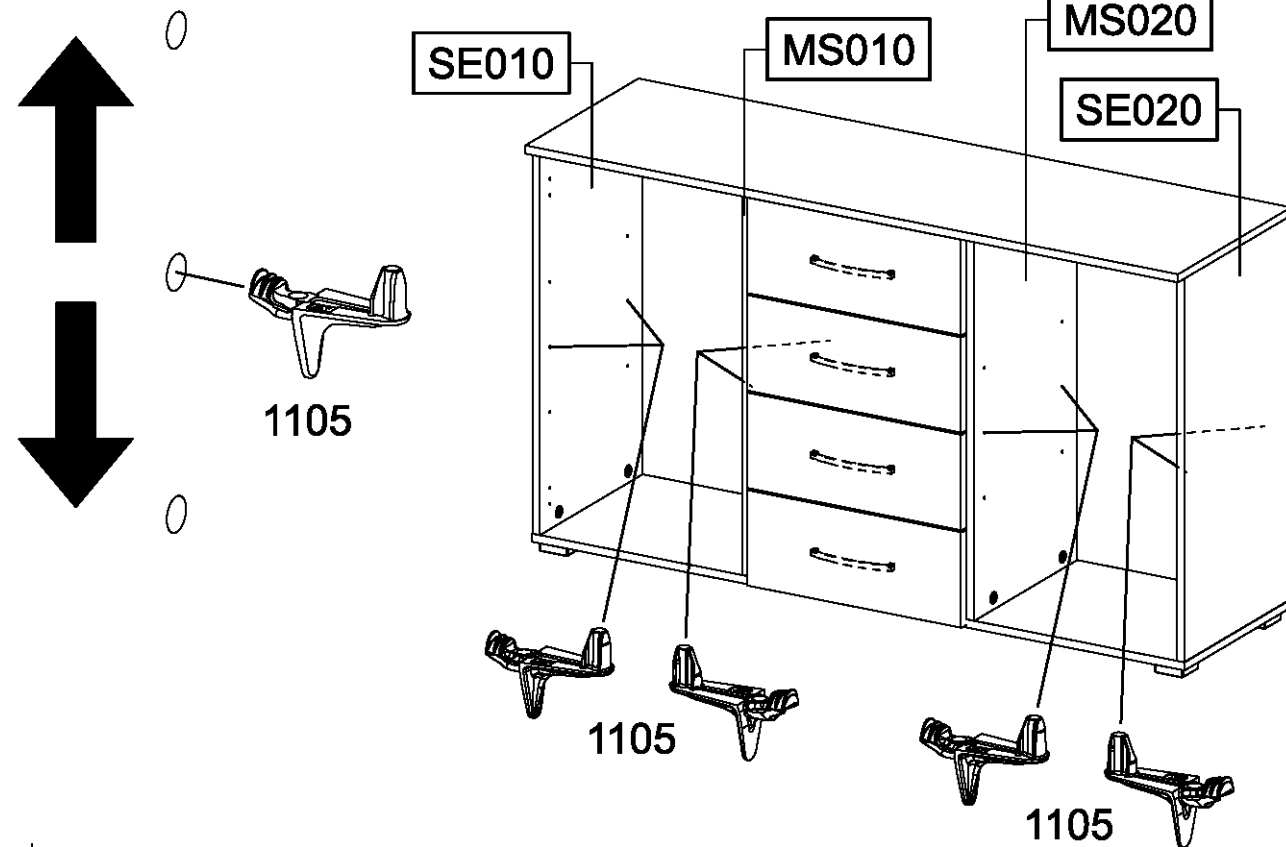


- SK010
- SK020
- SK030
- SK040



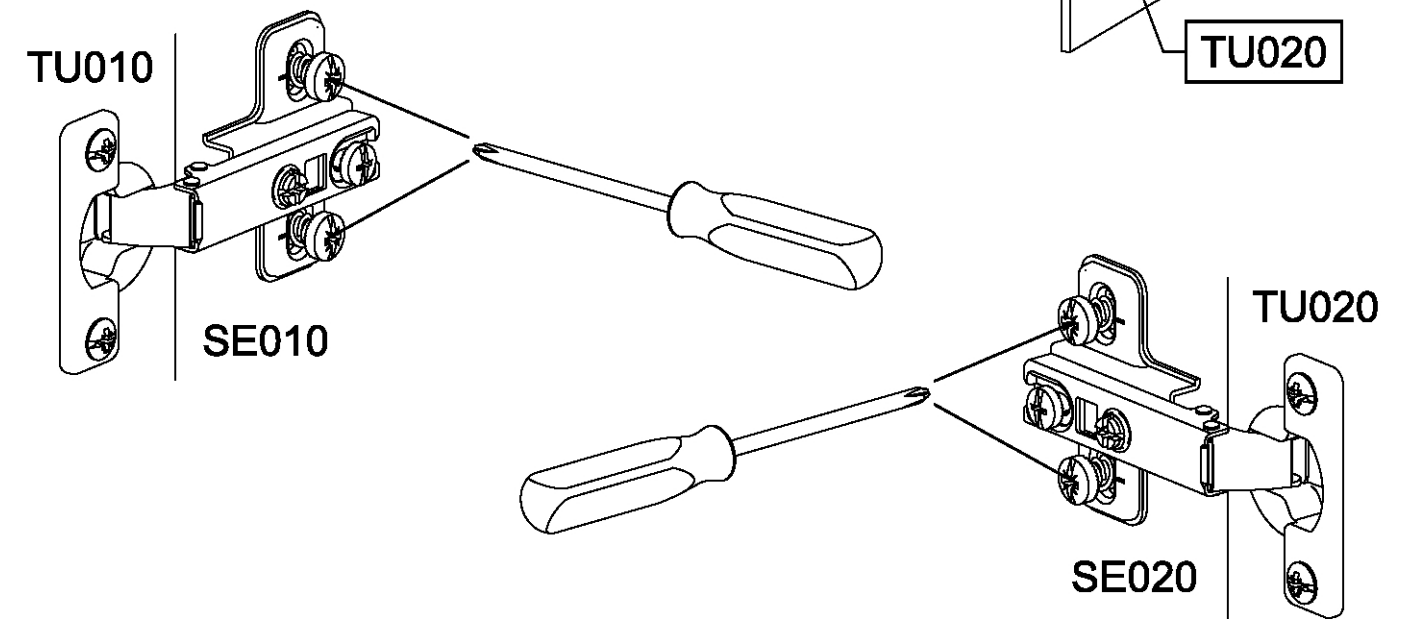
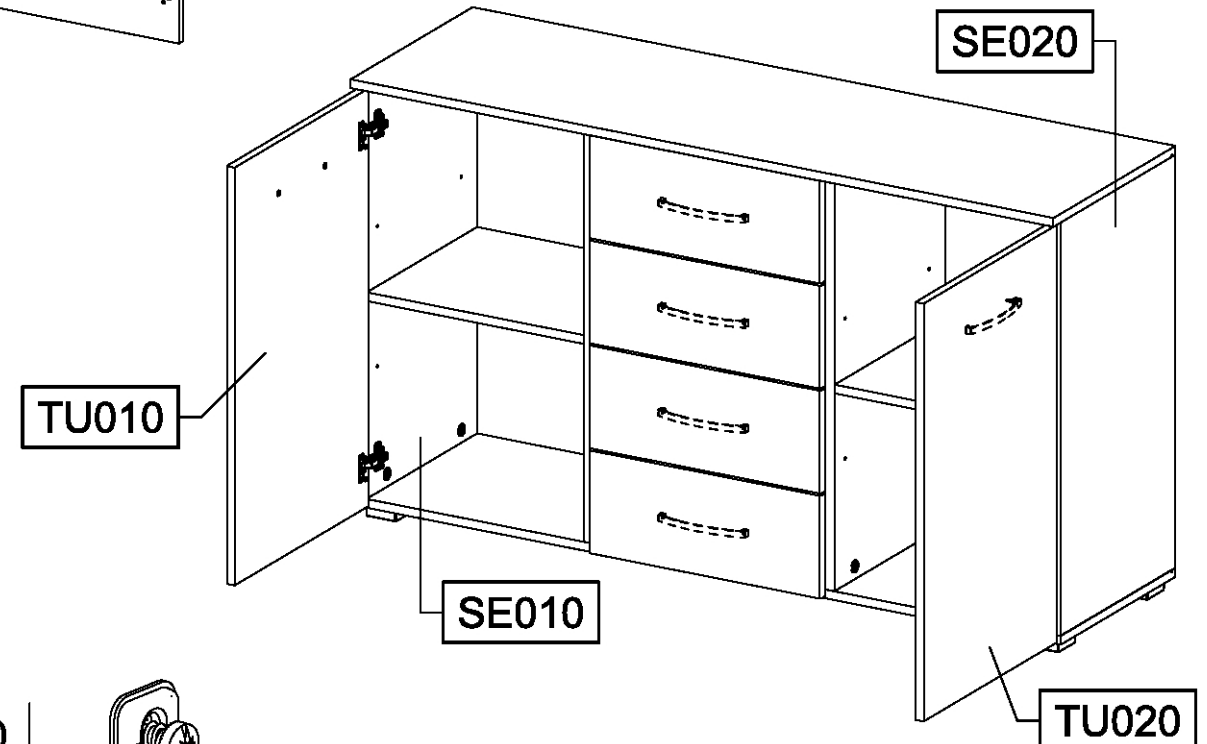
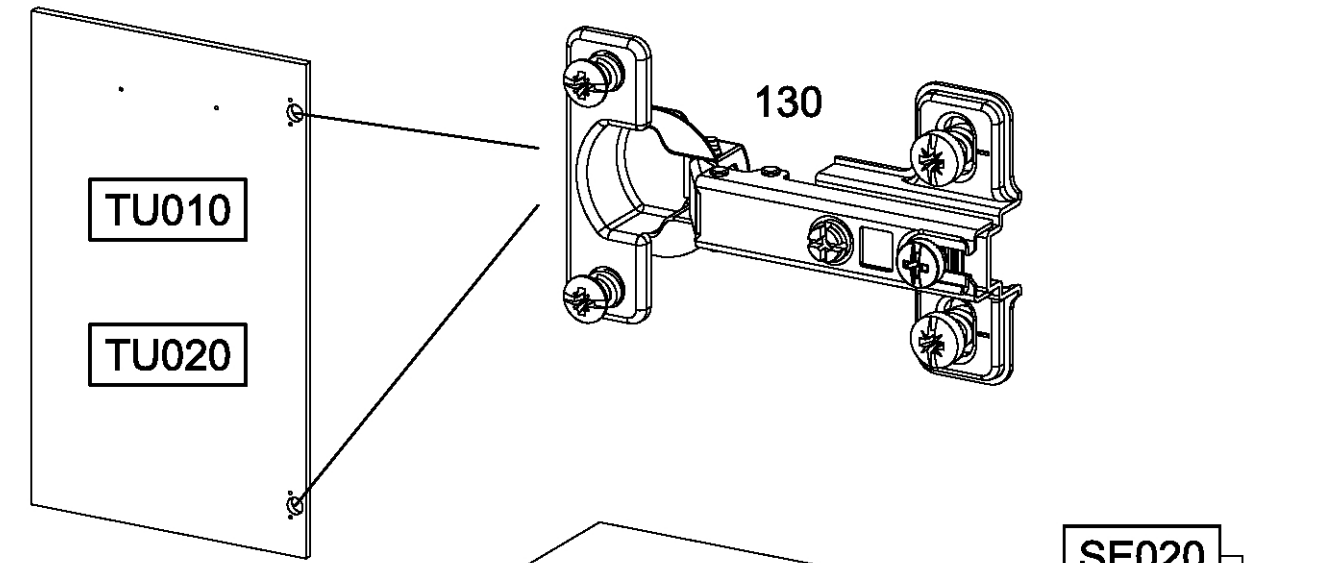
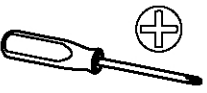
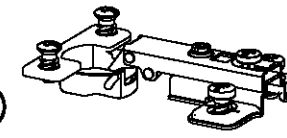
28

8x 1105

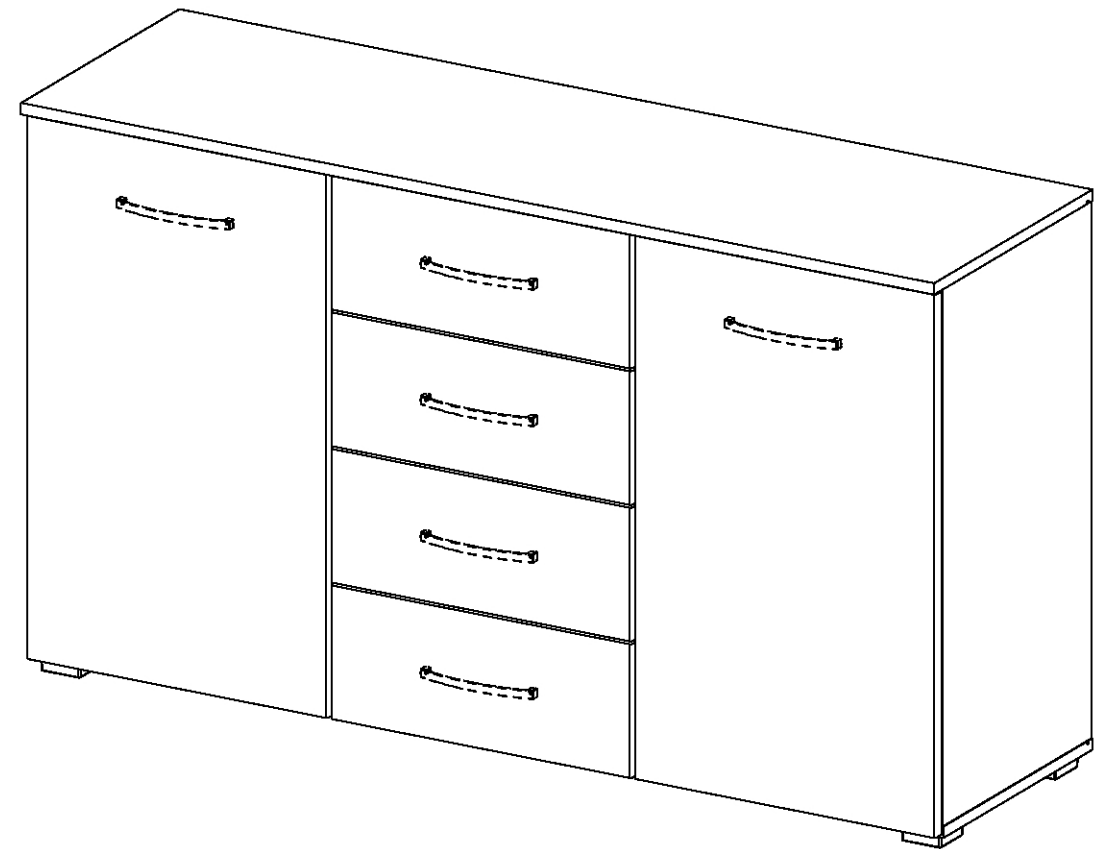
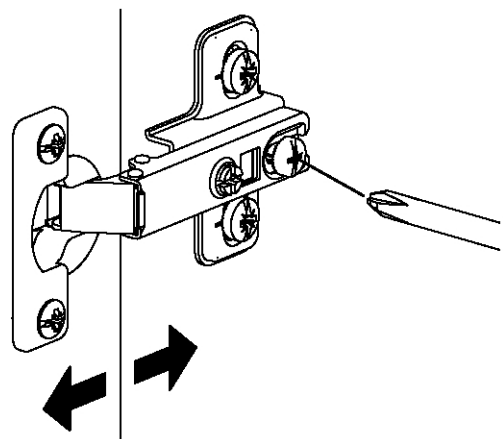
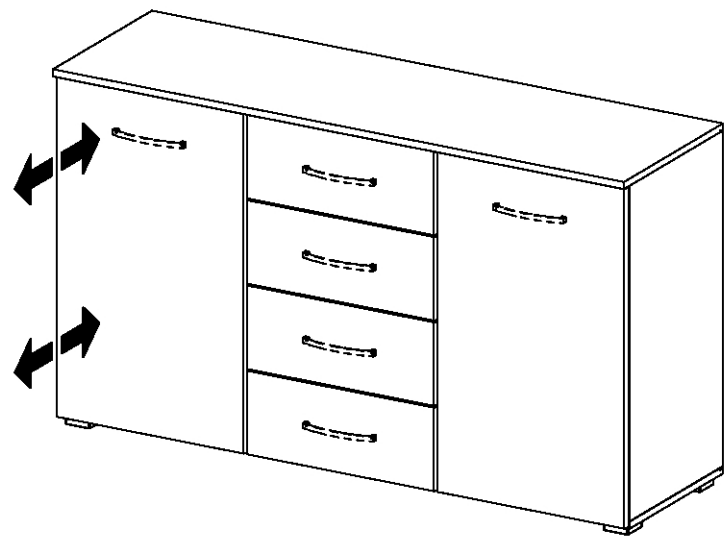
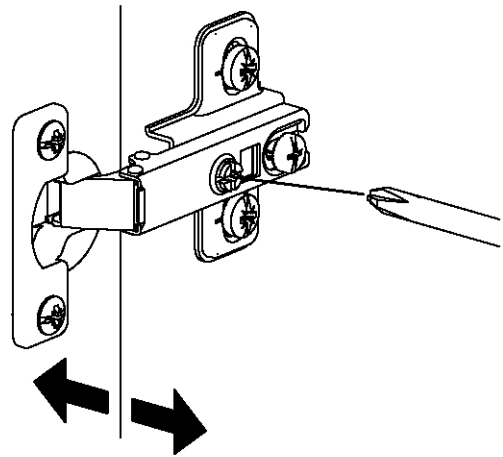
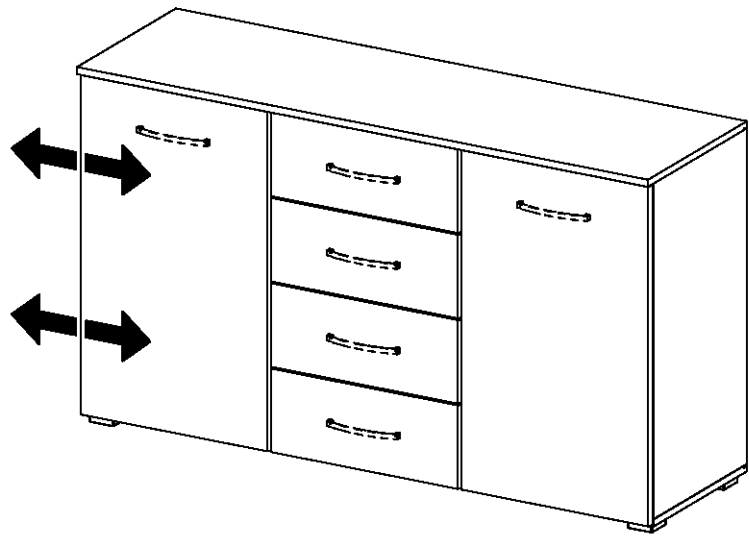
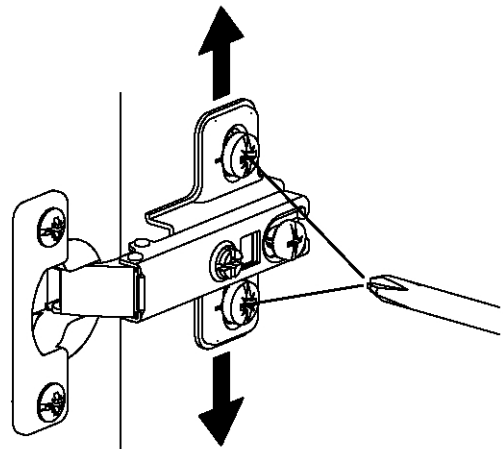
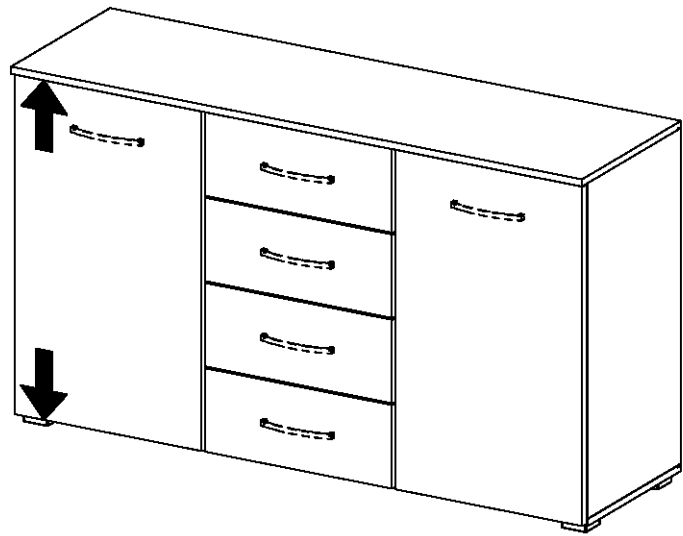
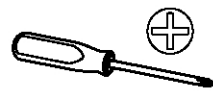


29

4x 130

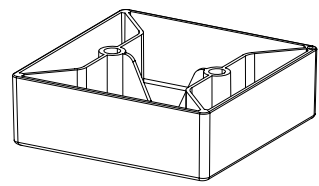


30



MZ044\_02

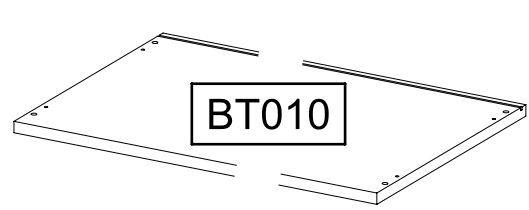
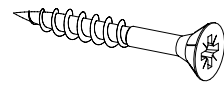
rauch



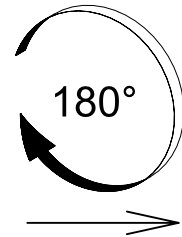
FU010

4x30

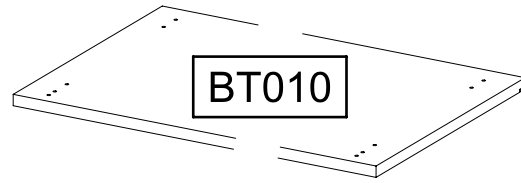
213



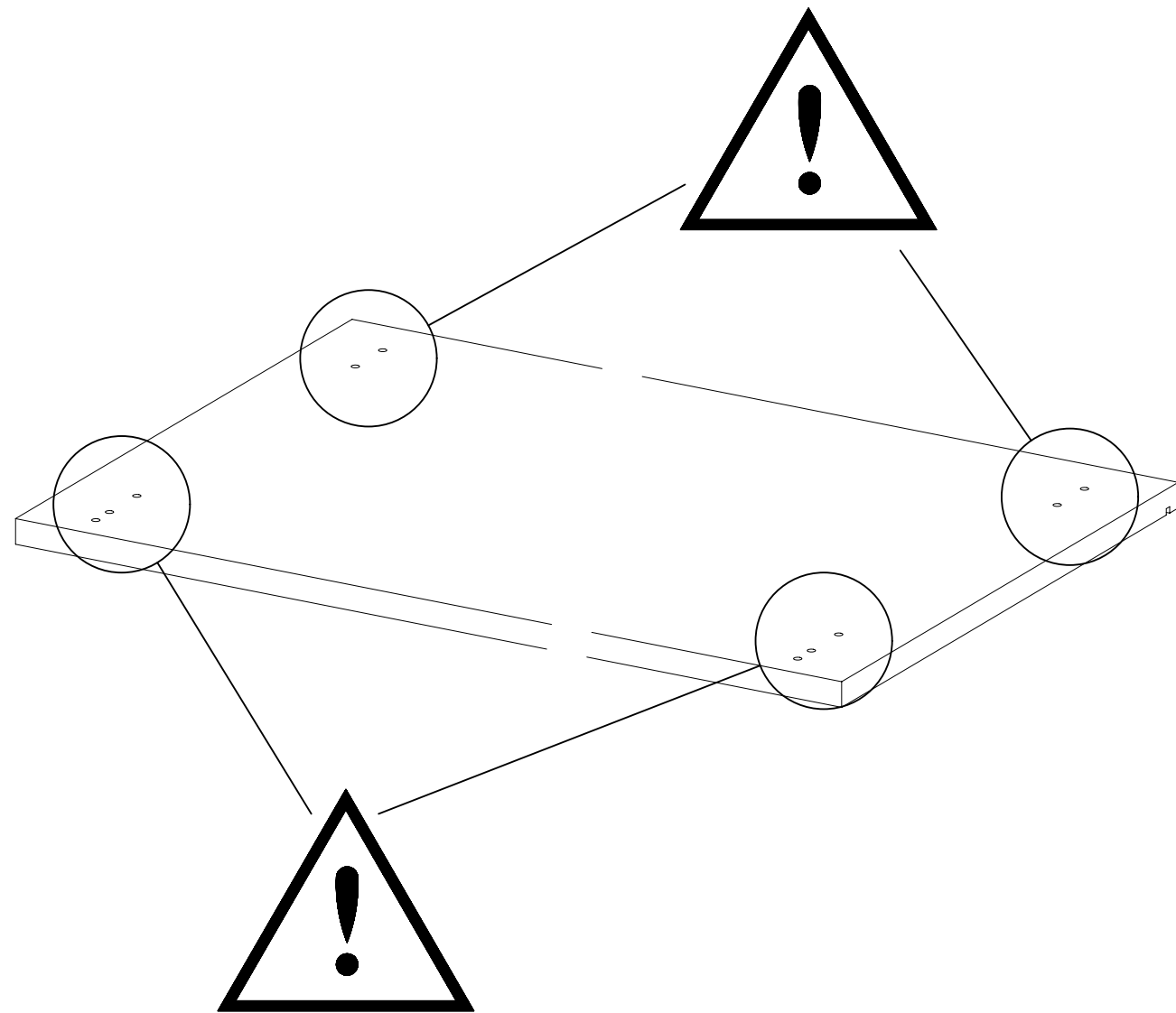
BT010



180°



BT010

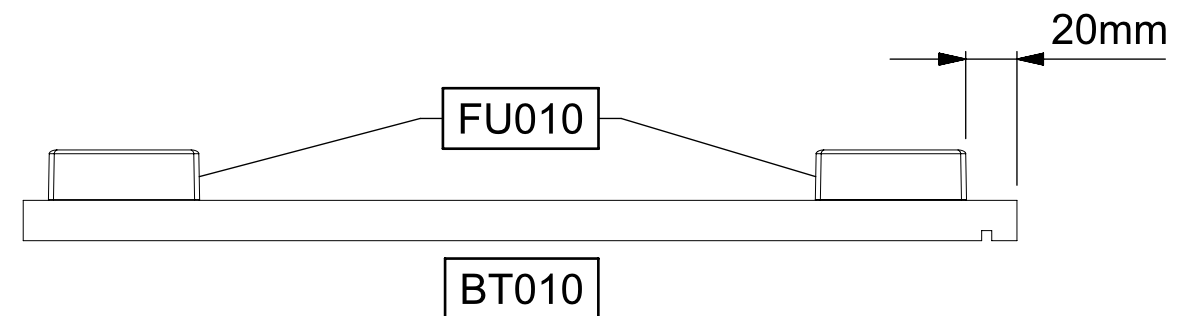
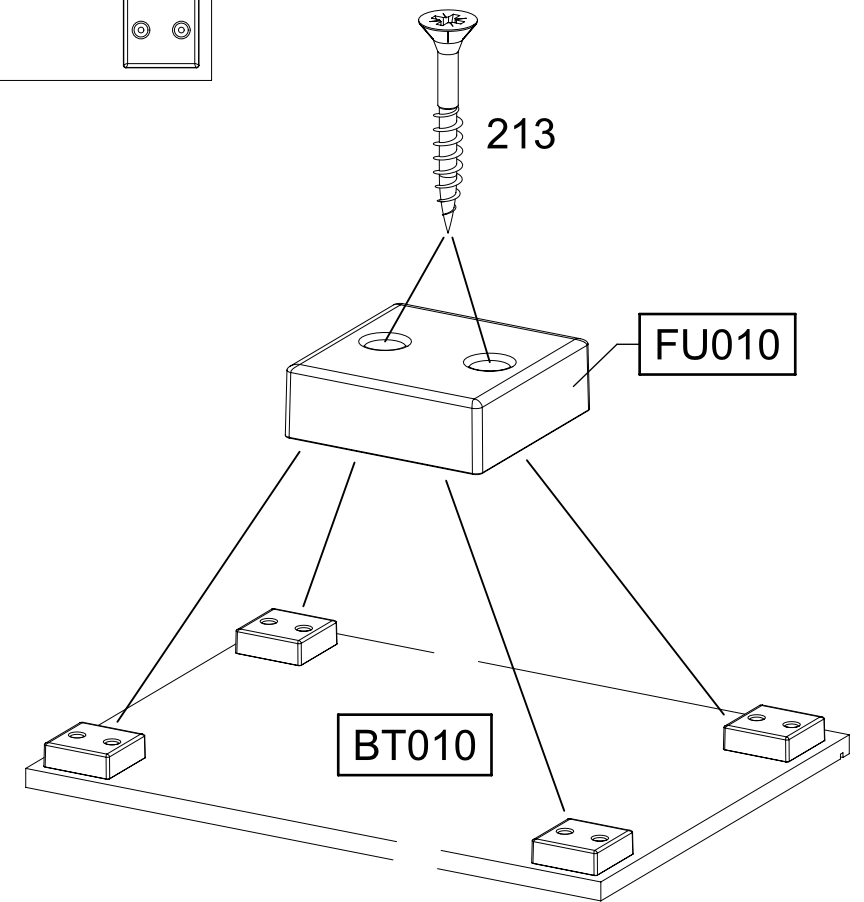
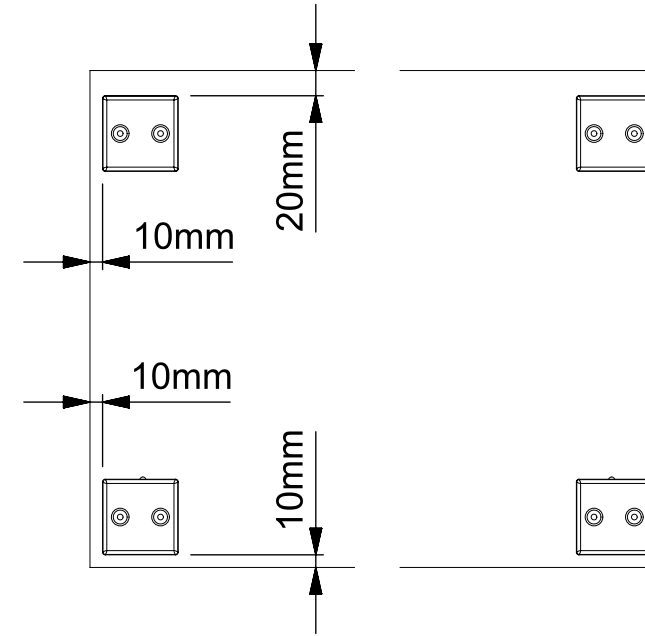
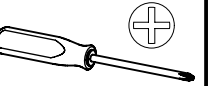
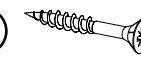


1

8x

213

4x30



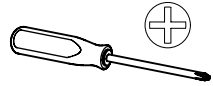
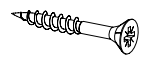
3.

2

2x

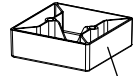
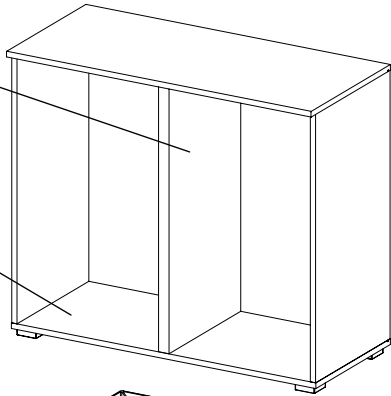
213

4x30



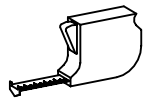
MS010

BT010

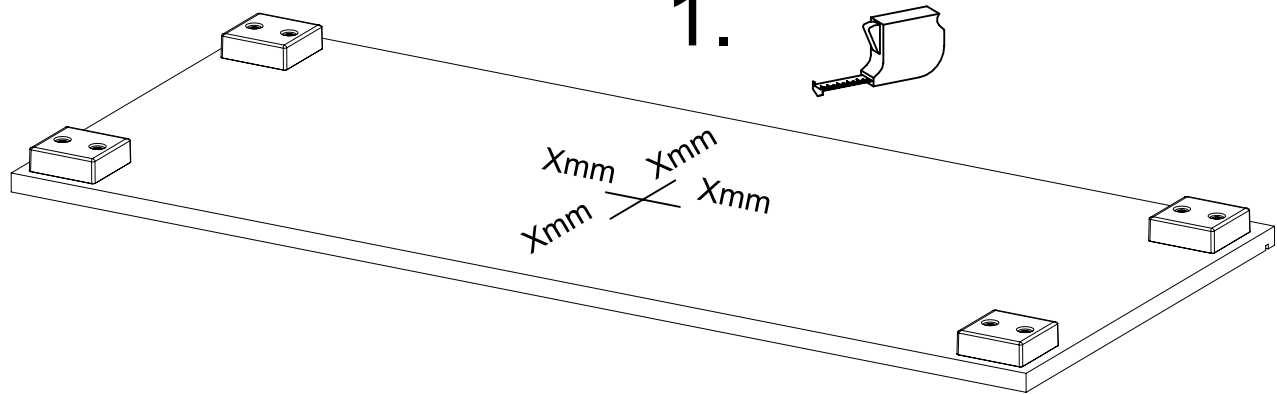


FU010

1.



Xmm Xmm  
Xmm Xmm

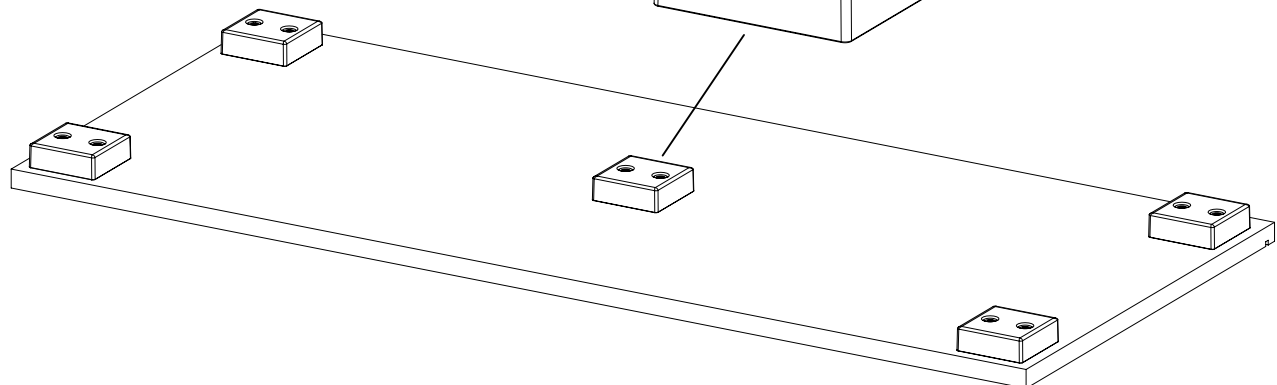
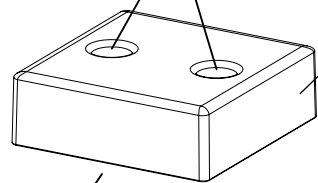


2.



213

FU010



MZ044

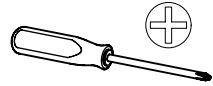
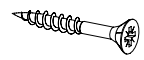
4.

3

2x

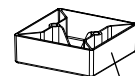
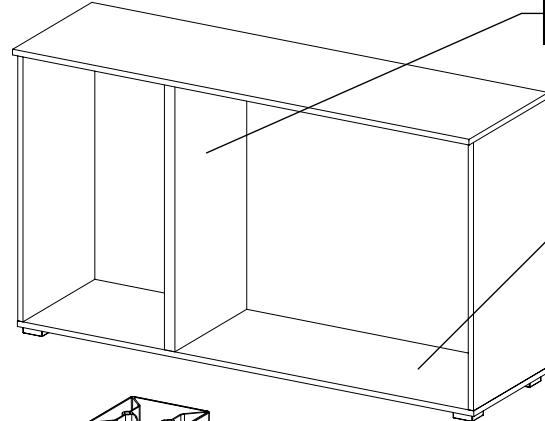
213

4x30

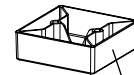


MS010

BT010

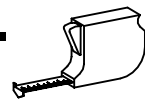


FU010



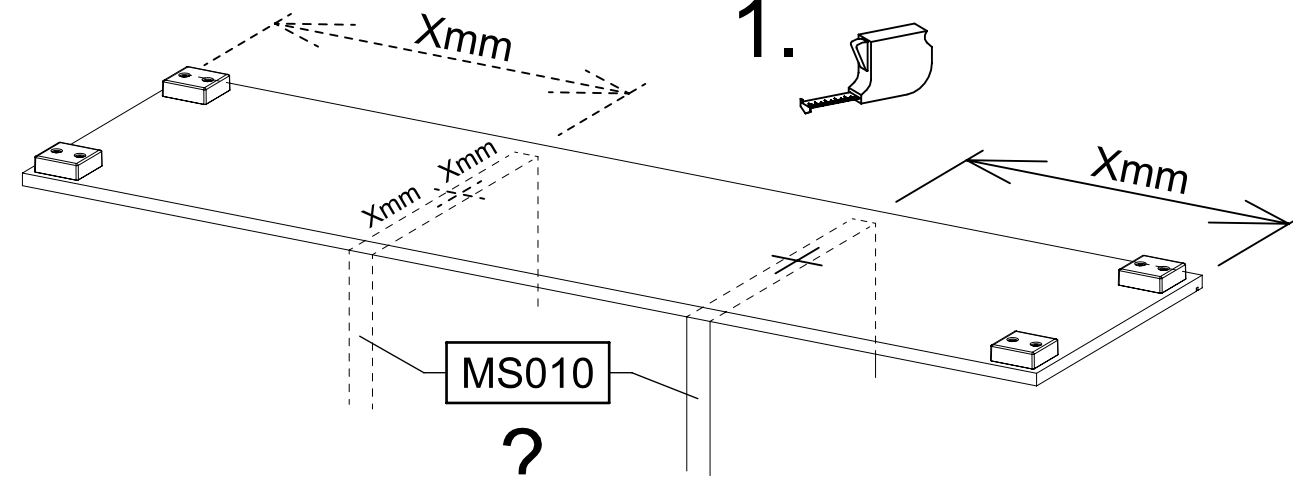
FU010

1.



Xmm  
Xmm Xmm

Xmm



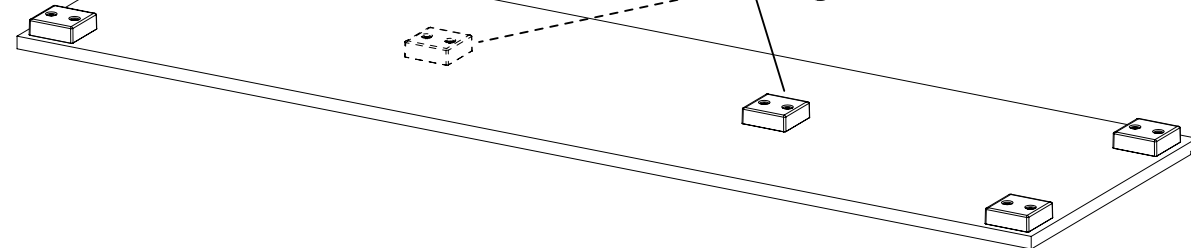
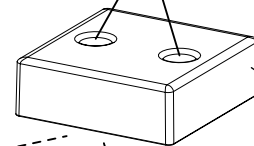
?

2.



213

FU010



MZ044

4

4x

213

4x30

