

Please check that all fittings are available and in good condition before assembly.
If you have any questions, please contact us , we will solve your problem in the first time.

PARTS LIST

Ax1



Bx1



Cx1



Dx1

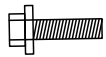


Ex8



M6x18mm

Fx1



M6x30MM

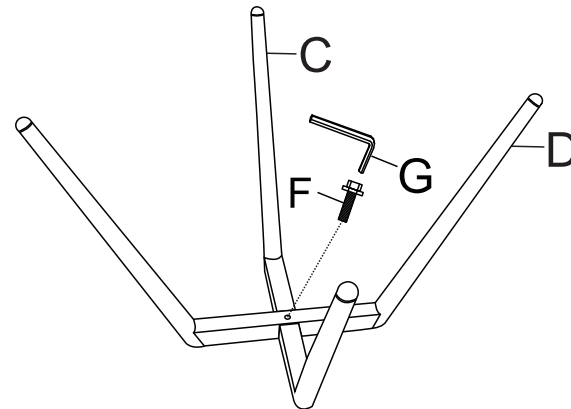
Gx1



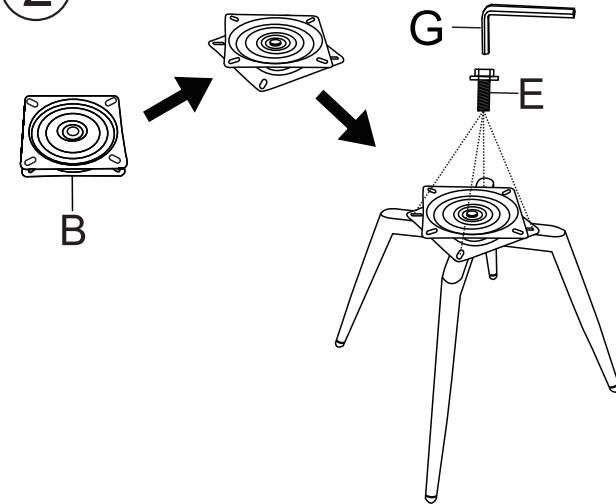
M6

ASSEMBLE INSTRUCTION

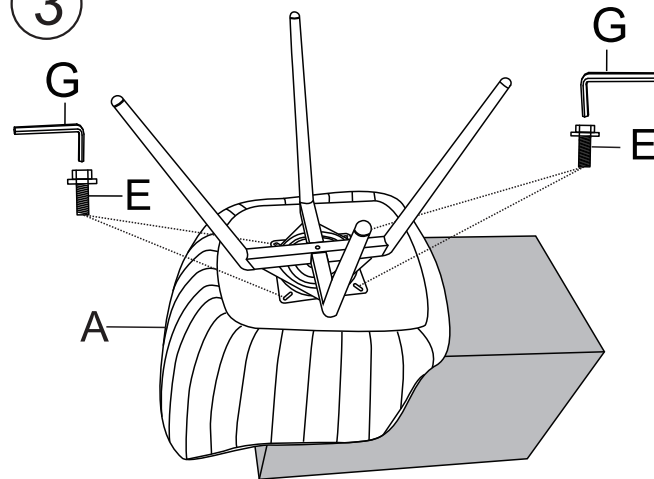
①



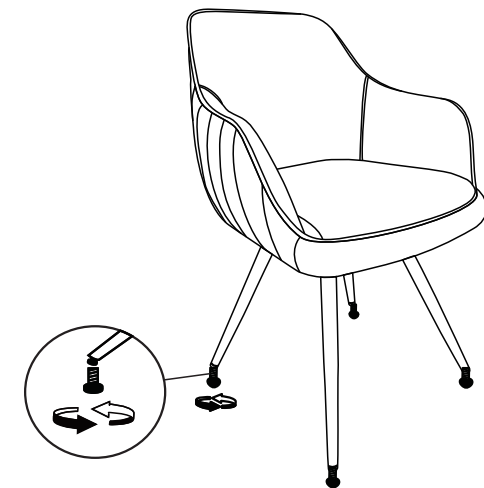
②



③



④



Adjust foot nails to make chair stable.