

ASSEMBLY INSTRUCTIONS



Fine Furniture for every stage of life

ASSEMBLY INSTRUCTIONS

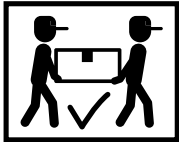
ASSEMBLY TIPS:

1. Remove hardware from box and sort by size.
2. Please check to see that all hardware and parts are present prior to start of assembly.
3. Please follow attached instructions in the same sequence as numbered to assure fast & easy assembly.



WARNING !

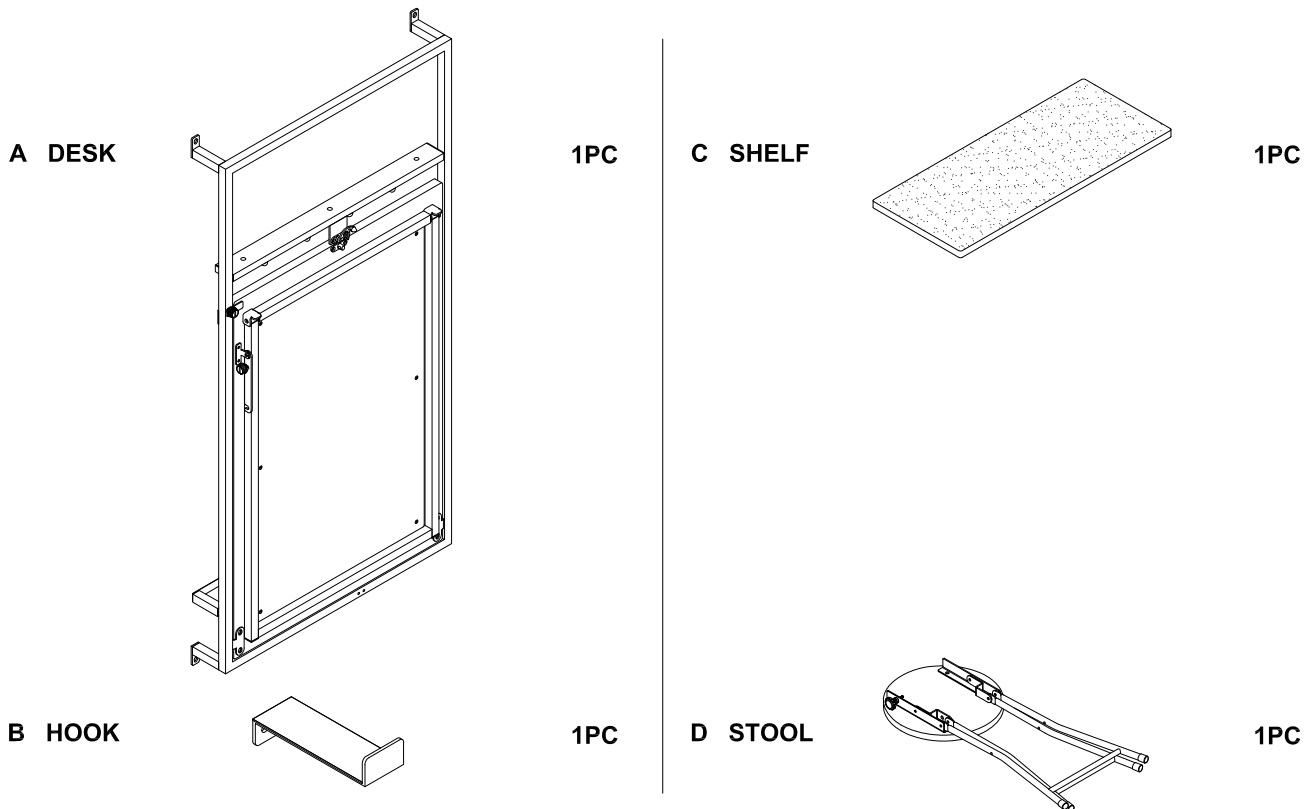
1. Don't attempt to repair or modify parts that are broken or defective. Please contact the store immediately.
2. This product is for home use only and not intended for commercial establishment.








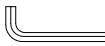

ASSEMBLY TIME

20 MINUTE

PARTS IDENTIFICATION

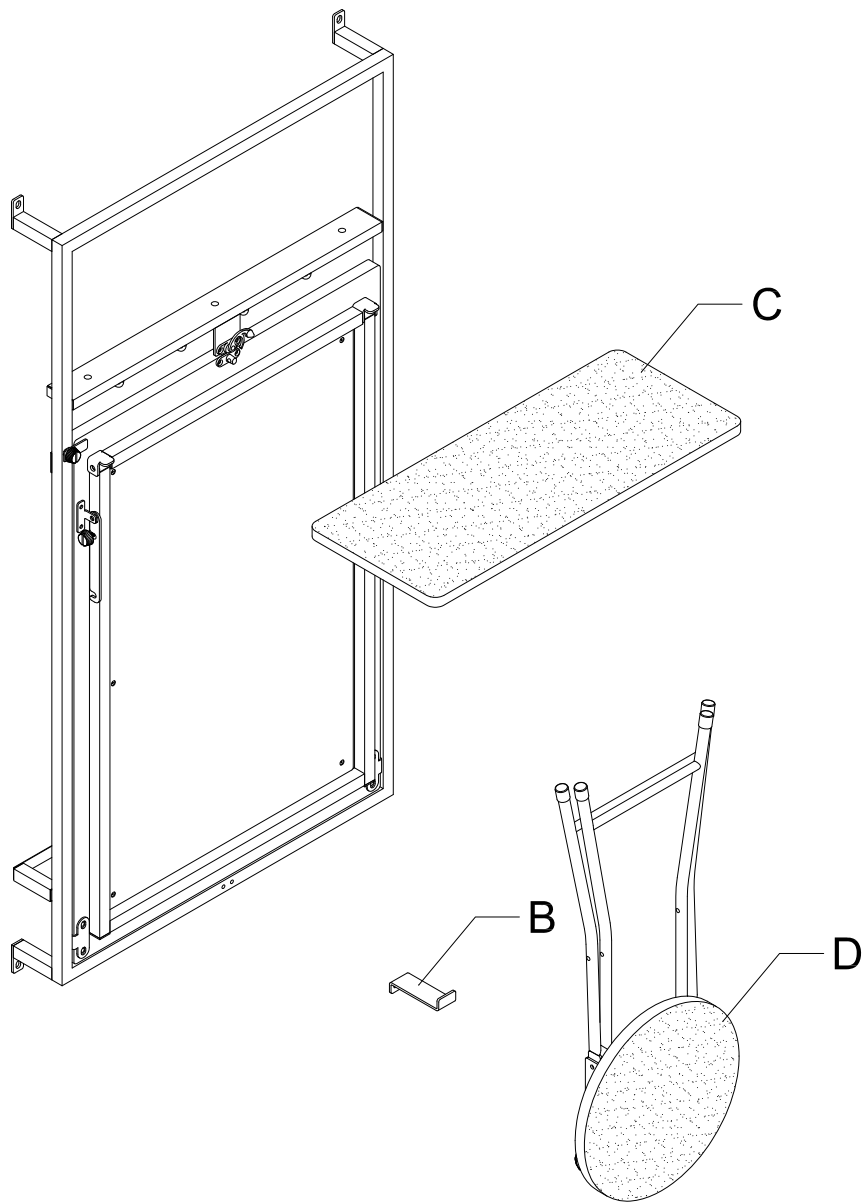


HARDWARE IDENTIFICATION

1	BOLT (1/4"x1" - BLK)		3PCS	5	SCREW (ϕ 4 x 26mm - BLK)		4PCS
2	BOLT (3/16"x1/2" - BLK)		2PCS	6	PLASTIC DOWEL		4PCS
3	WASHER (ϕ 16mm - BLK)		3PCS	7	ALLEN KEY (4x22x60mm - BLK)		1PC
4	WASHER (ϕ 12mm - BLK)		2PCS				

NOTE:

Phillips head screw driver is required in the assembly process; however, manufacturer does not provide this item.






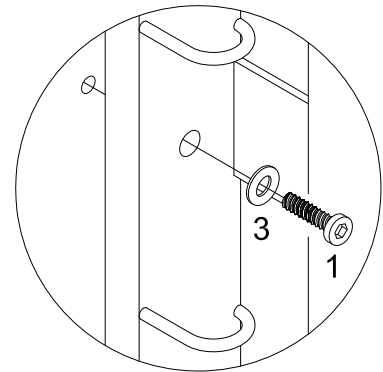
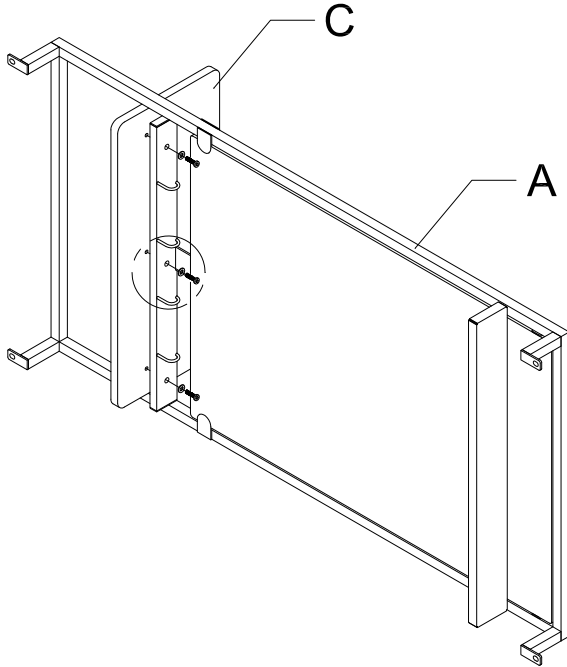
ASSEMBLY INSTRUCTIONS

STEP 1:



ASSEMBLY

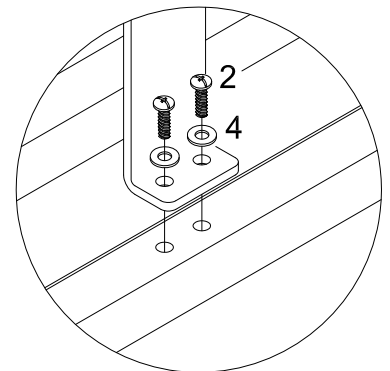
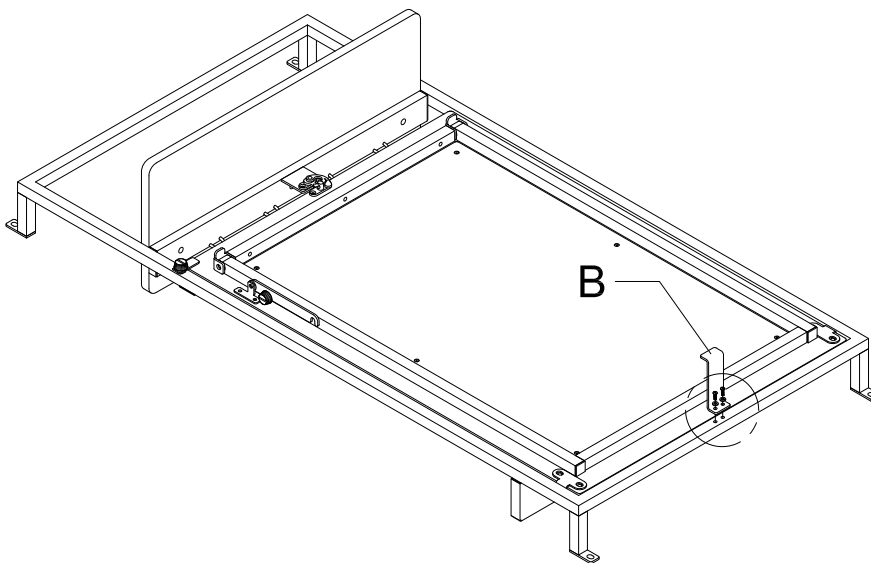
Do not fully tighten all bolts until assembly is complete.
This will help all parts to assemble properly.

1		3PCS
3		3PCS
7		



STEP 2:




2		2PCS
4		2PCS

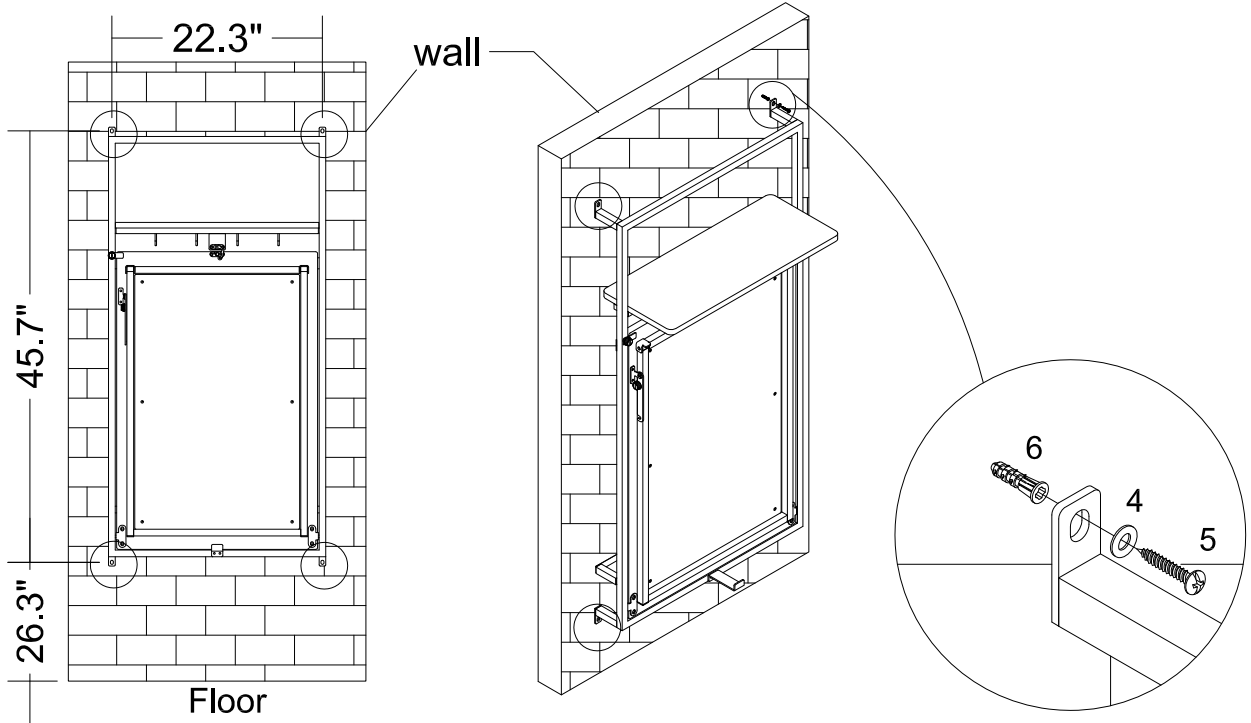


STEP 3:

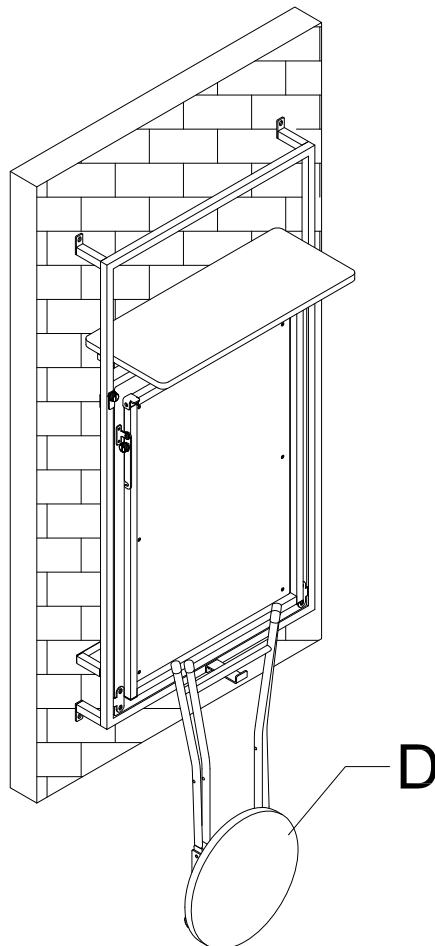
Remark:

Before assembling this step, please drill 4 holes on the wall in advance, and the positions of the 4 holes are as indicated below.

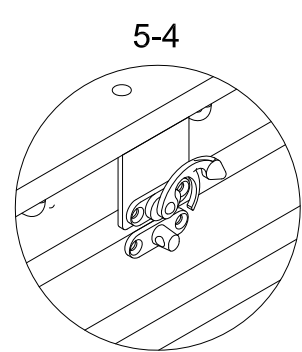
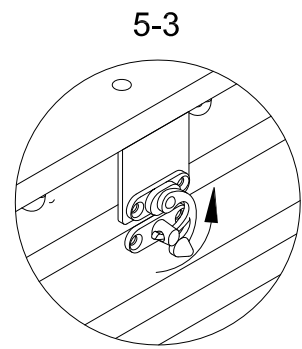
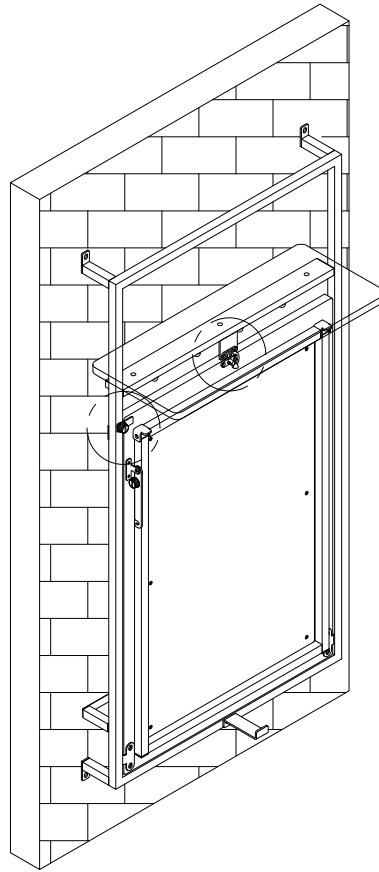
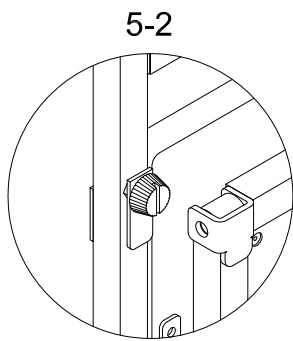
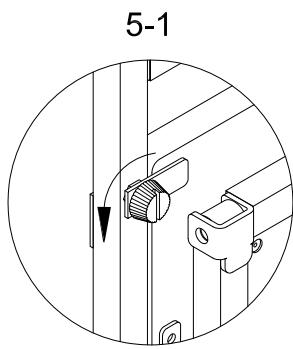
4		4Pcs
5		4Pcs
6		4Pcs



STEP 4:



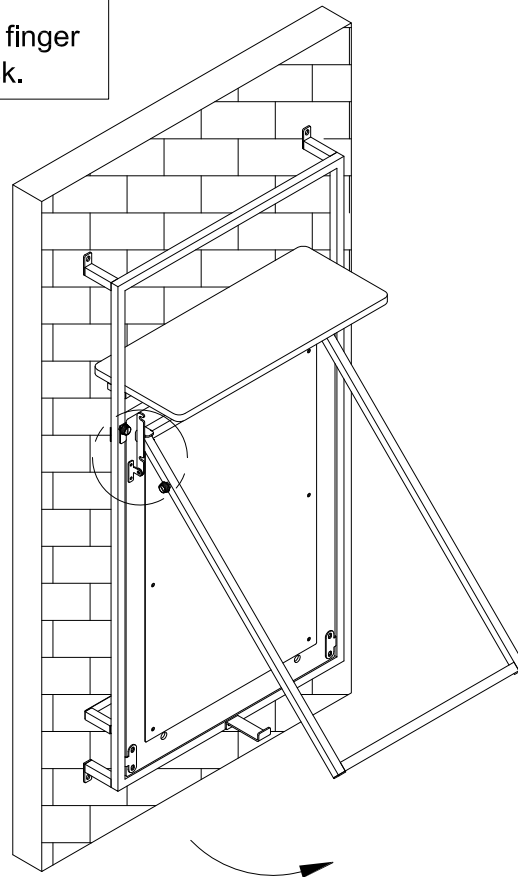
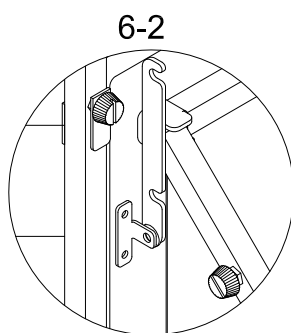
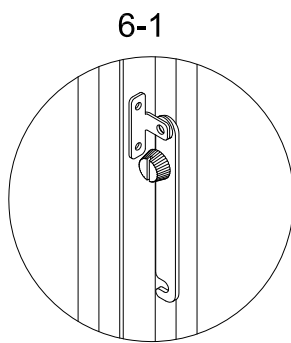
STEP 5:



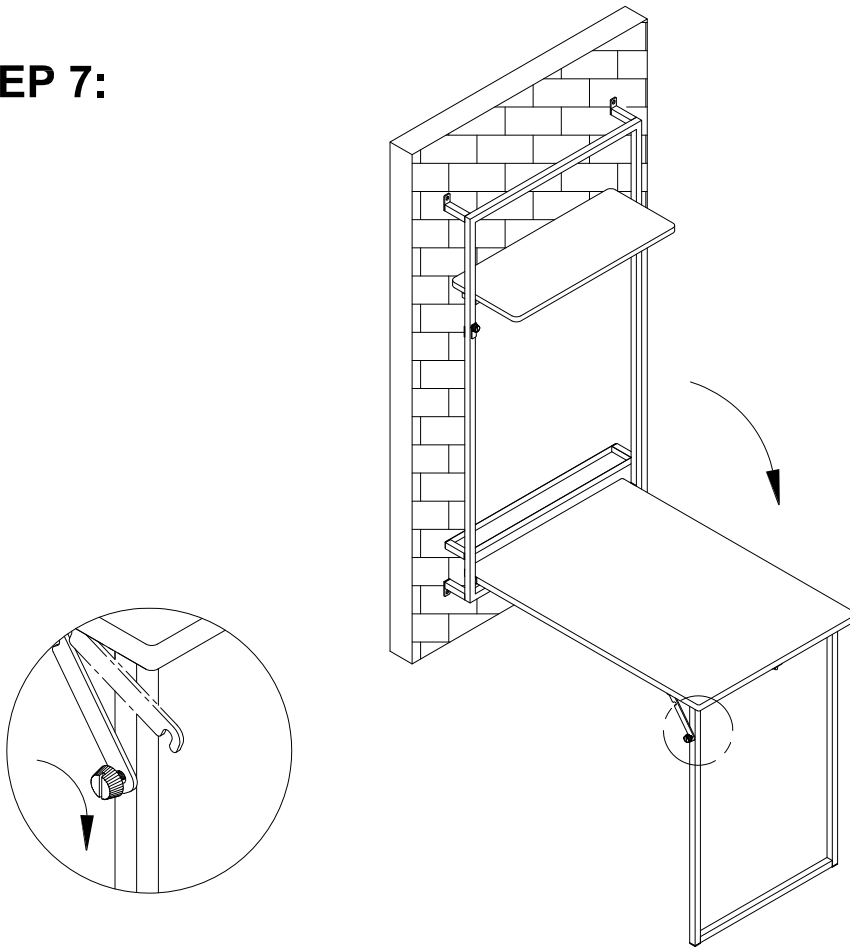
Warning!
Please be careful with your finger
while you unfolding the desk.

STEP 6:

Warning!
Please be careful with your finger
while you unfolding the desk.

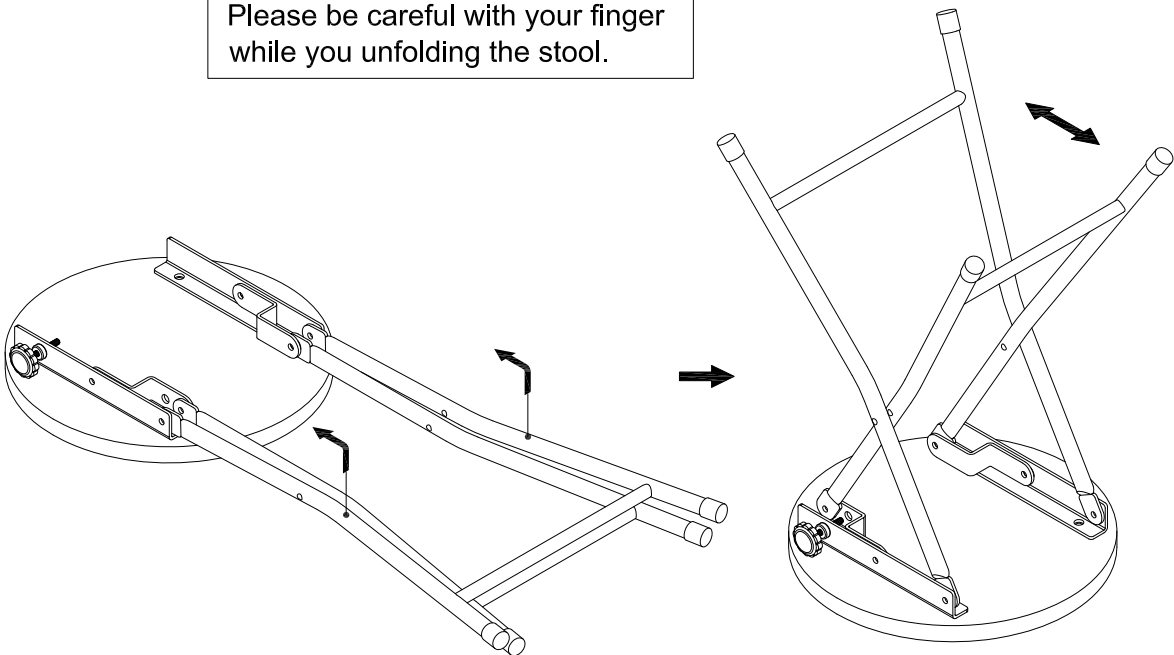


STEP 7:

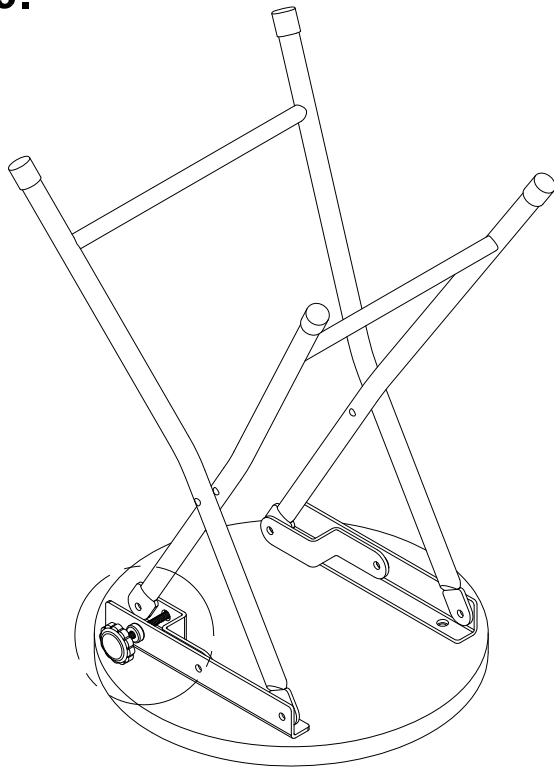


STEP 8:

Warning!
Please be careful with your finger
while you unfolding the stool.

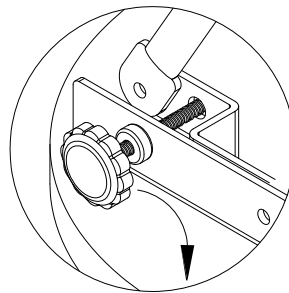


STEP 9:

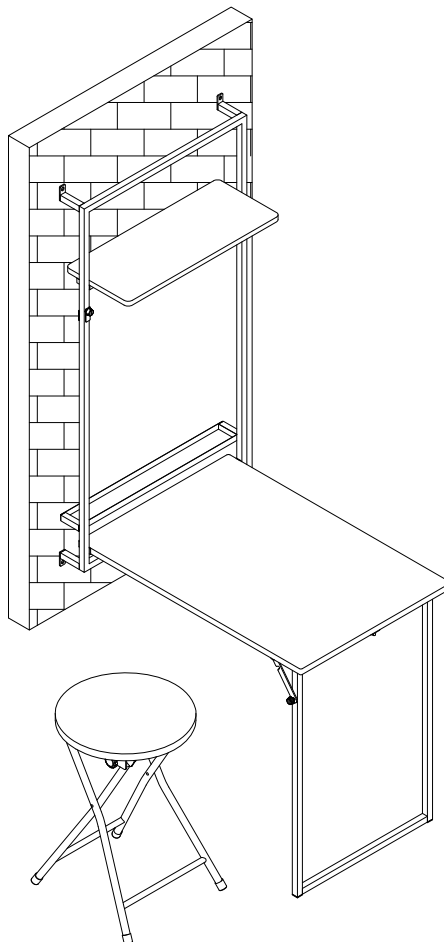


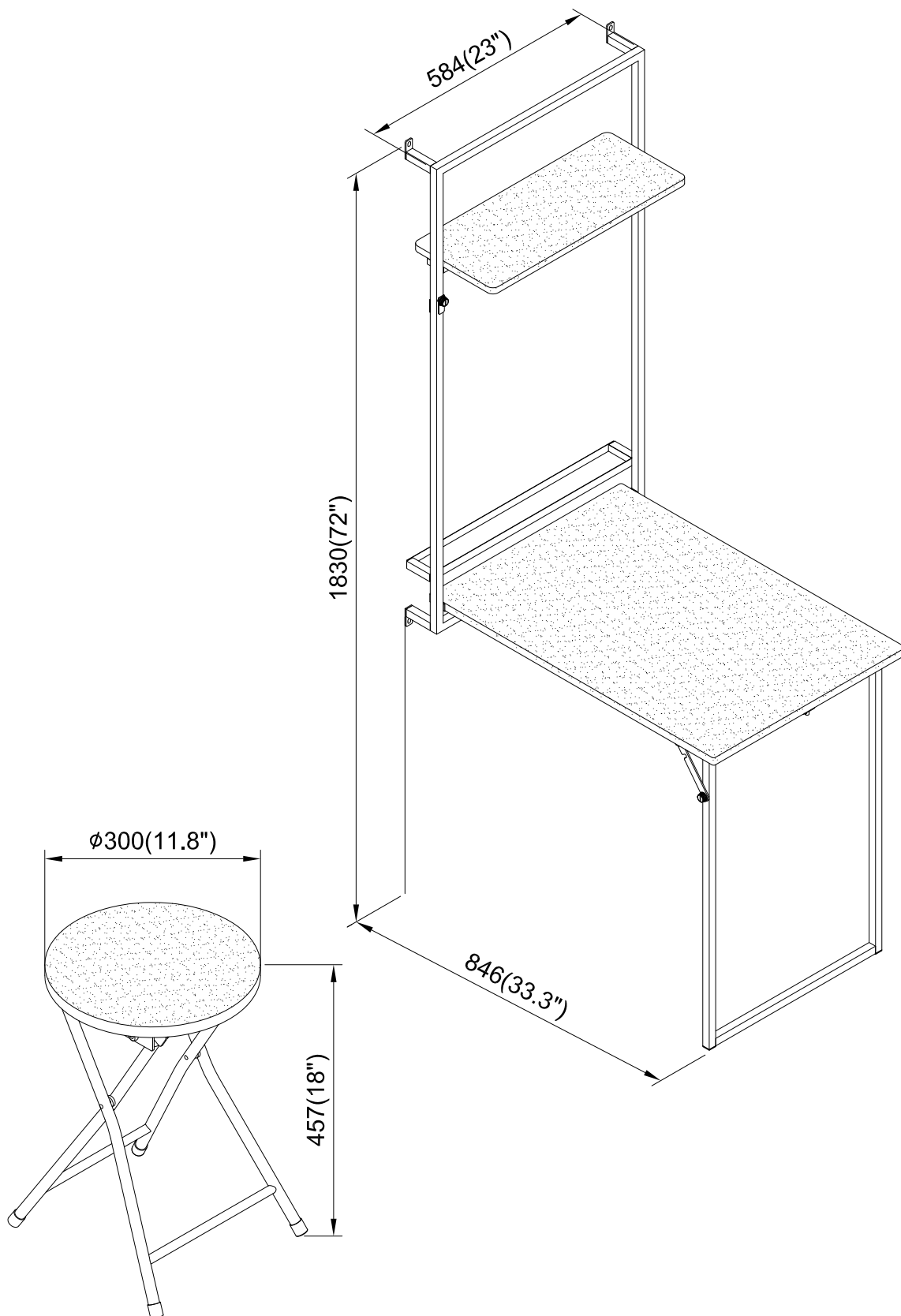
Warning!

Please fasten the adjusting knob on the back of the stool before using the stool



STEP 10:





Note : Dimension tolerance $\pm 5\%$