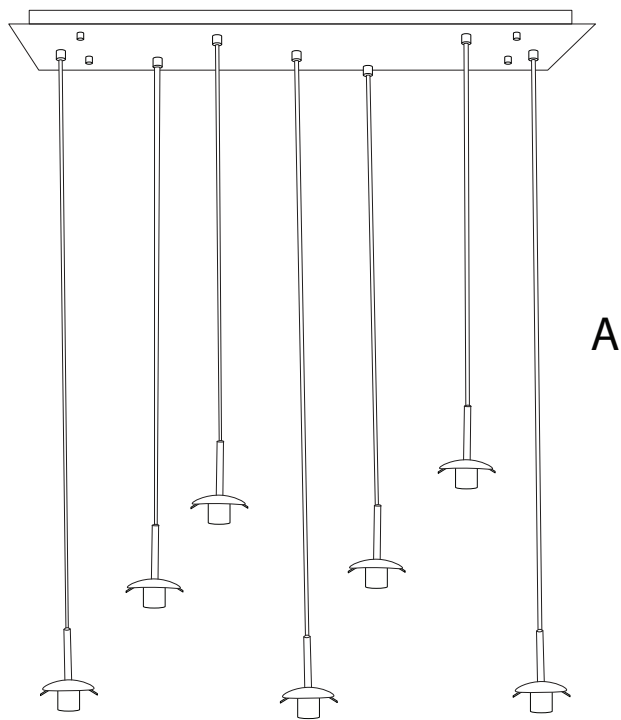
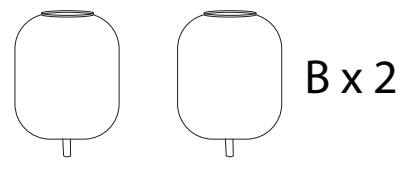


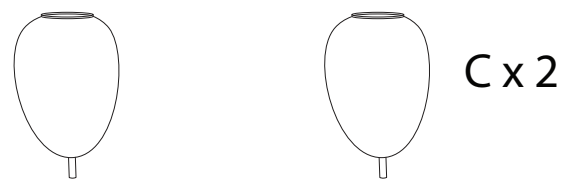
1/5



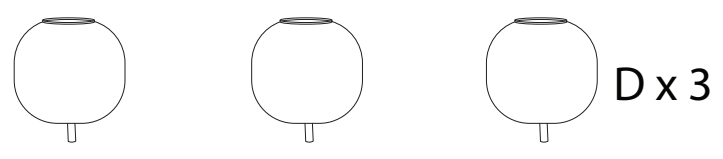
A



B x 2



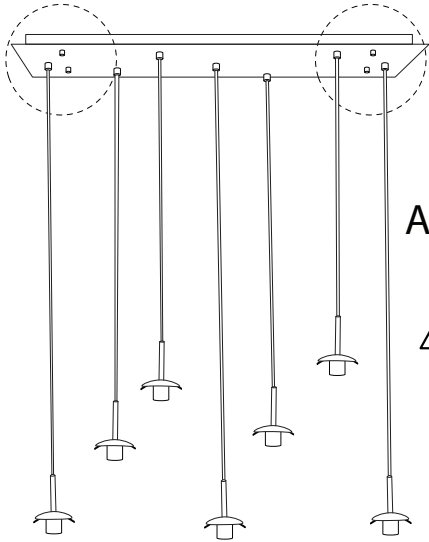
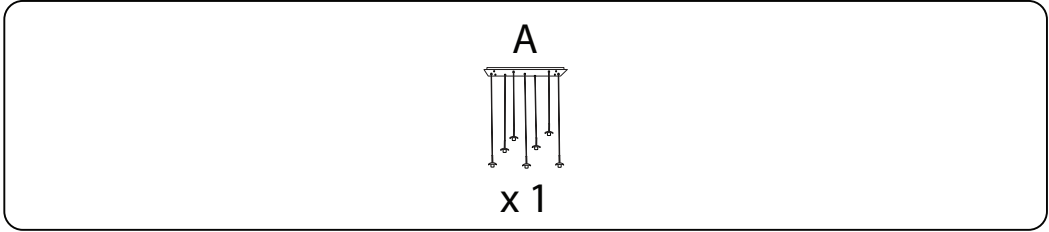
C x 2



D x 3

A	B	C	D	E	F
x 1	x 2	x 2	x 3	x 4	x 4

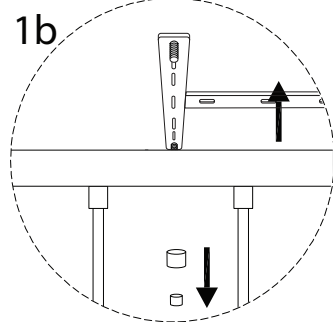
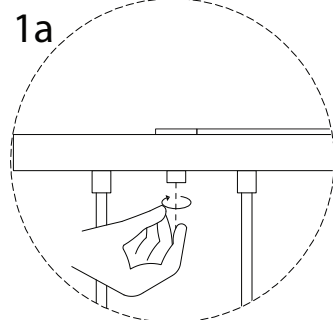
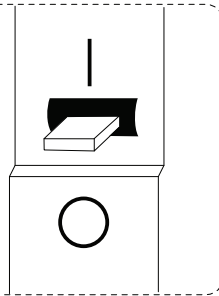
1



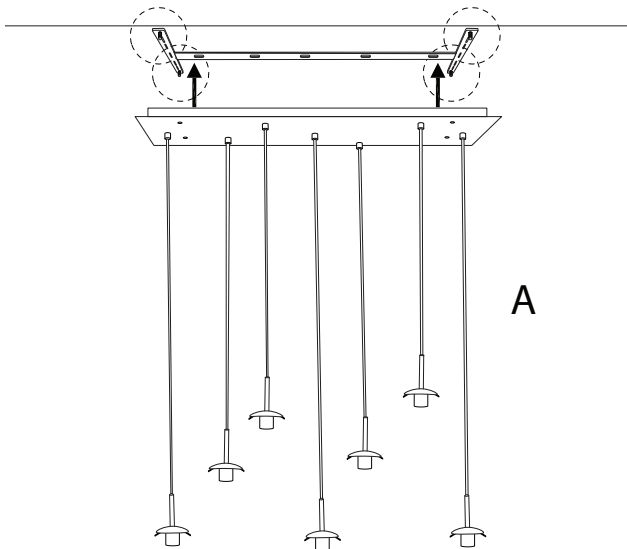
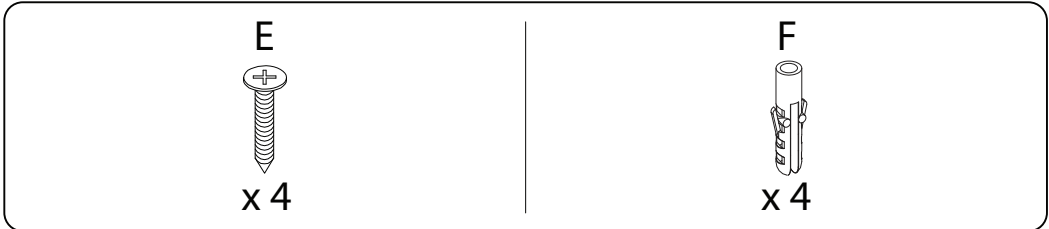
A



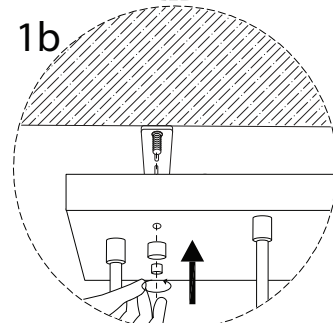
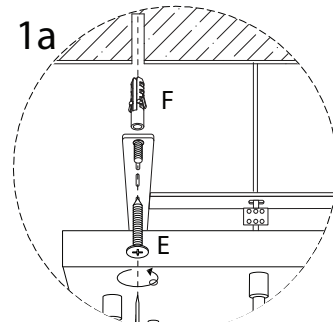
OFF



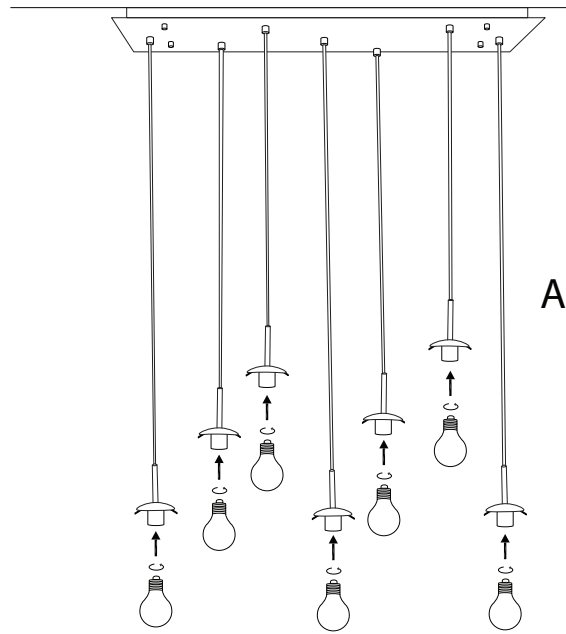
2



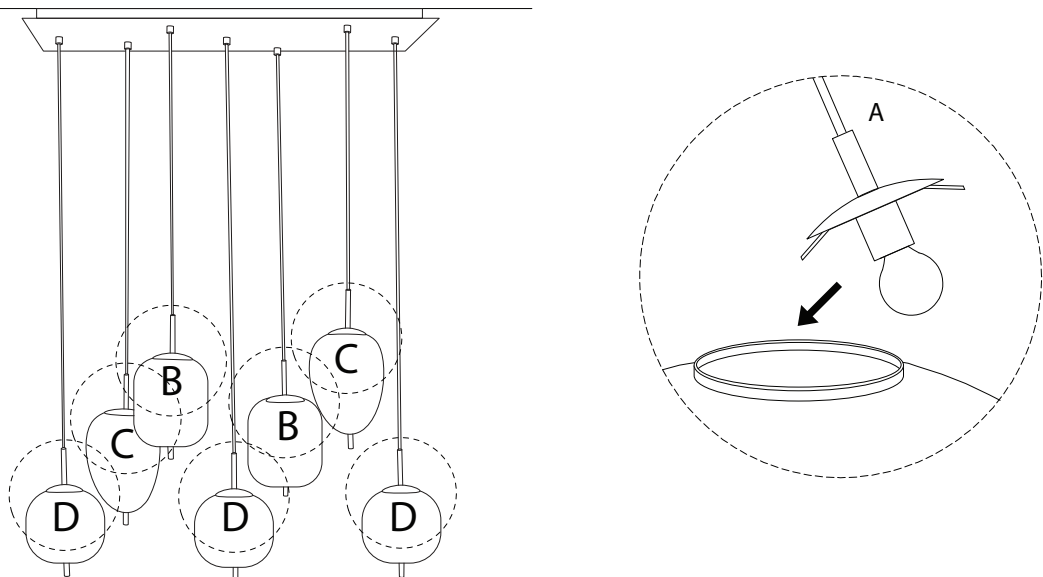
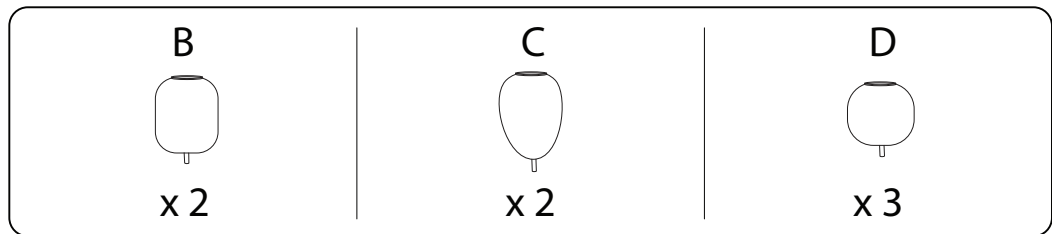
A



3



4



!

