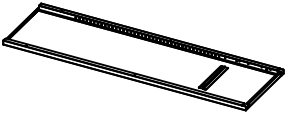
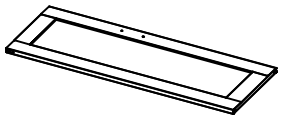

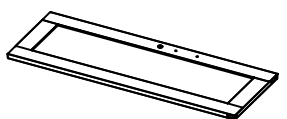
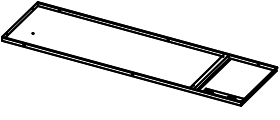
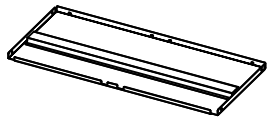
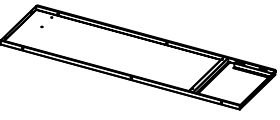

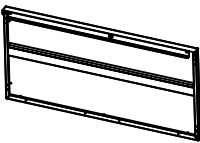
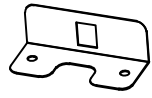
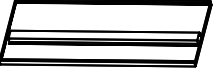


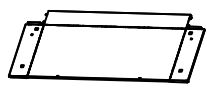
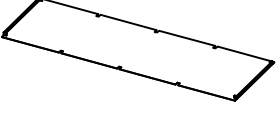

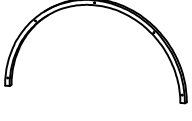
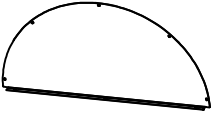






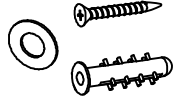


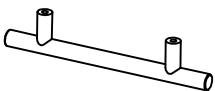

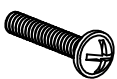



Accessories

Name		Picture	Qty	Name		Picture	Qty
1	Side panel		2	12	Left glass door		1
2	Kick plate		2	13	Right glass door		1
3	Left back panel		1	14	Waist plate		1
4	Right back panel		1	15	Waist face		1
5	Top panel		1	16	Guide rail bracket		4
6	Shelf		2	17	Drawer front panel		2
7	Dome front tube		1	18	Drawer bucket		2
8	Dome panel		1	19	Drawer seal		2
9	Dome back tube		1				
10	Dome back panel		1				

Accessories

Name		Picture	Qty	Name		Picture	Qty
A	13/32 Screw		58	G	M4*5 screw		4
B	M5 Nut		3	H-1	Left guide rail		2
				H-2	Right guide rail		2
C	M5*10 Screw		3	I	Expansion screw		2
D	Shelf clasp		8	K	Door pivot		2
E	The doorknob		4	L	Shim		4
F	M4*22 screw		4	M	Shock absorber		4






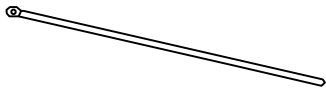
CAUTION

An assistant is required.

If there is any problem, please feel free to contact our customer service team and we are always here to assist with you!

If there is any slight dent or damage, you can try to fix it by pliers or hammers.

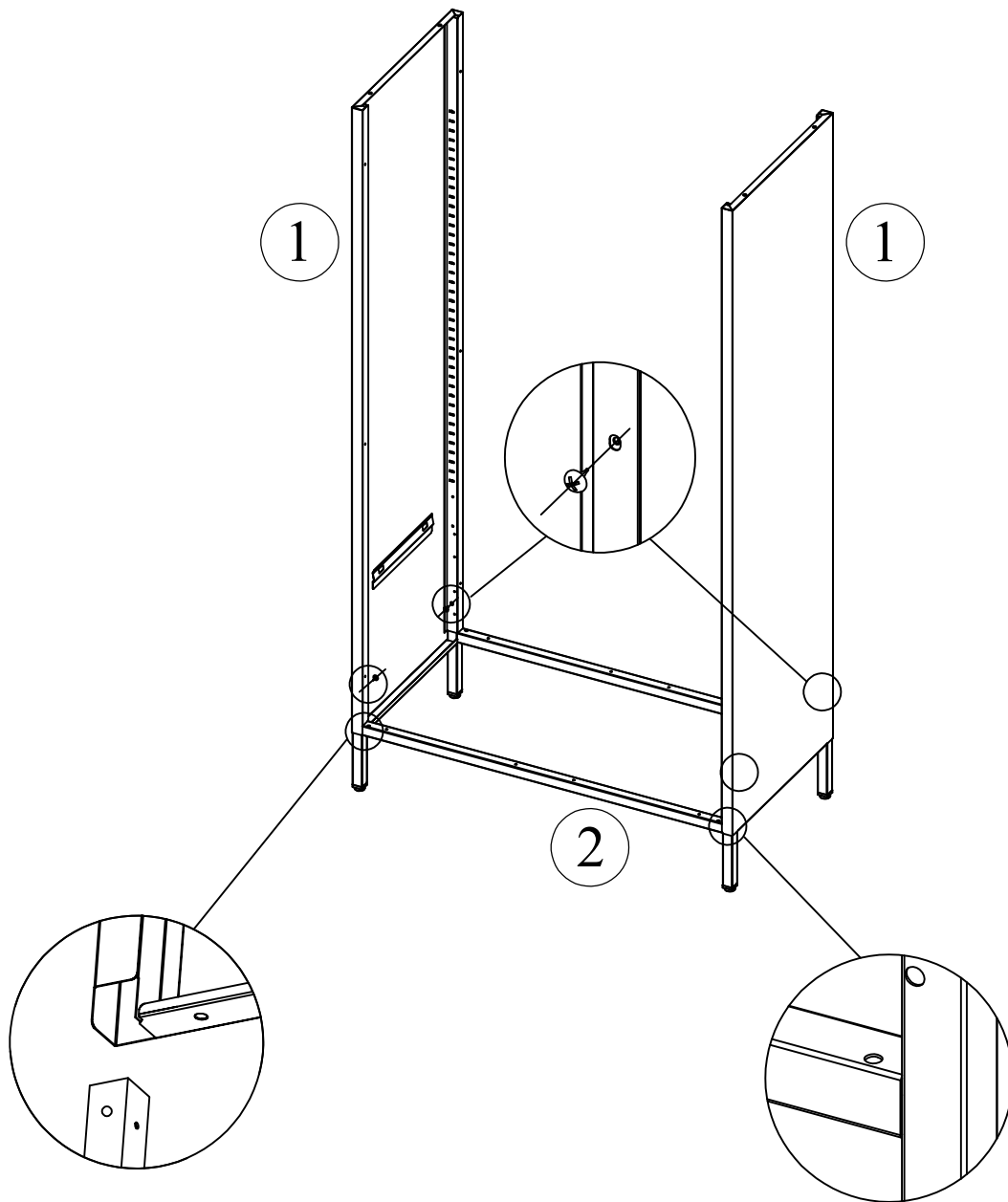
Accessories

Name	Picture	Qty needed
Lock rod cap	 (Already attached on right door 13)	2
Key	 (Already attached on right door 13)	1
Lock	 (Already pre-installed on right door 13)	1
Lock rod	 (Already pre-installed on right door 13)	2

Step 1

Insert side panels 1 into kick plates 2 and fix them with screws A

(A)  × 4

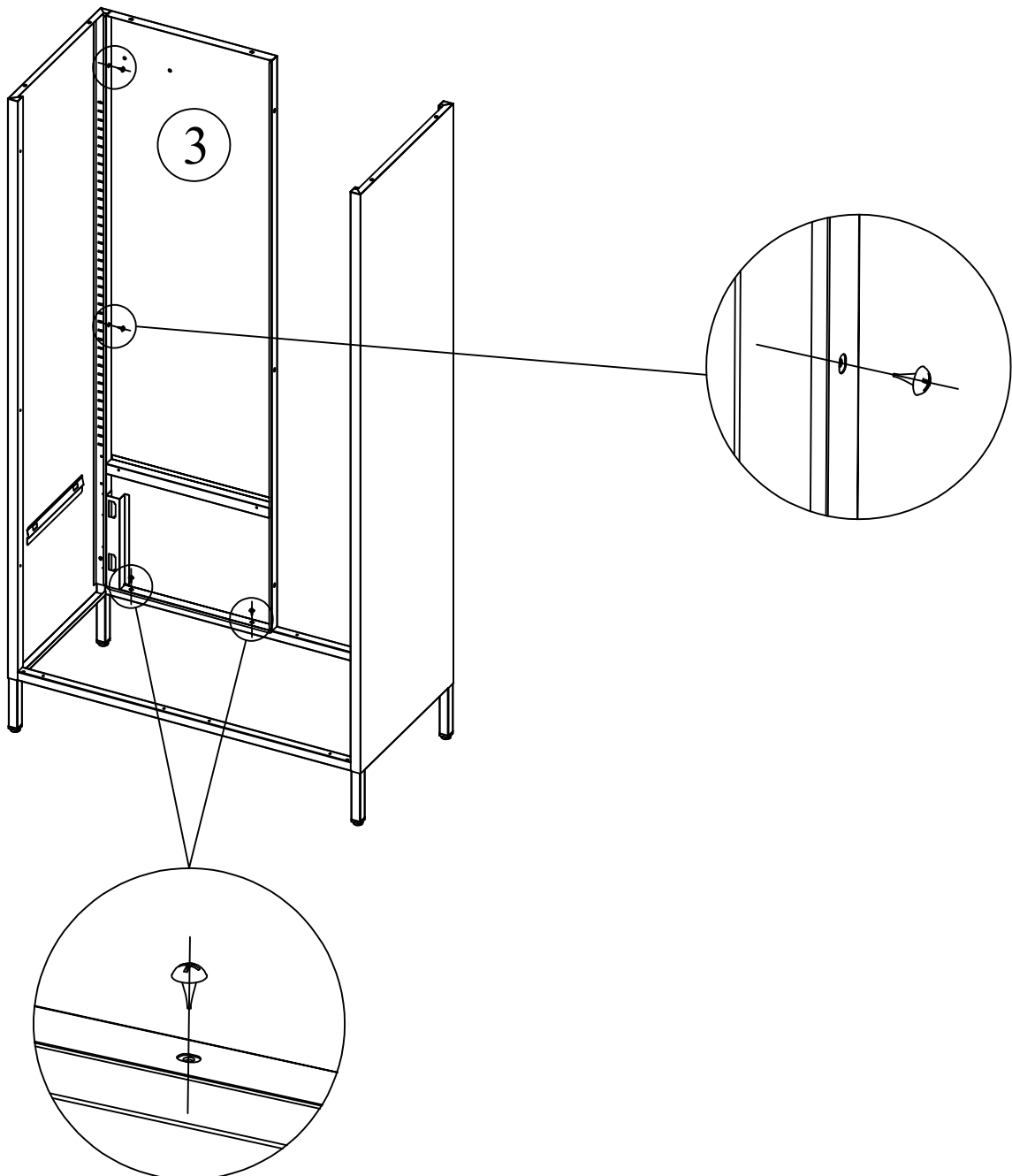


The door shaft hole is in the front

Step 2

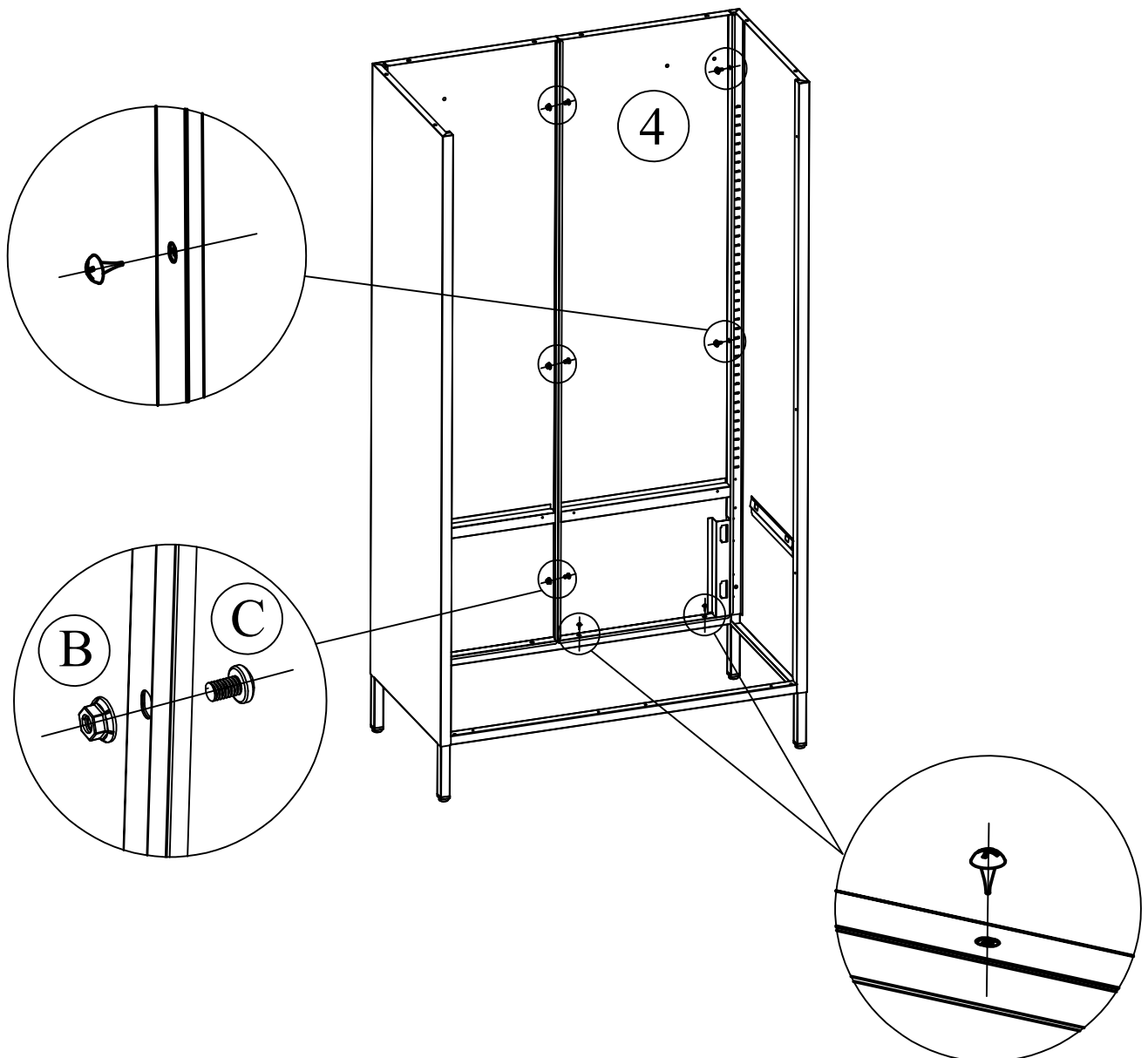
Connect left back panel 3 with side panel 1 and kick plate 2 by screws A

Ⓐ  × 4



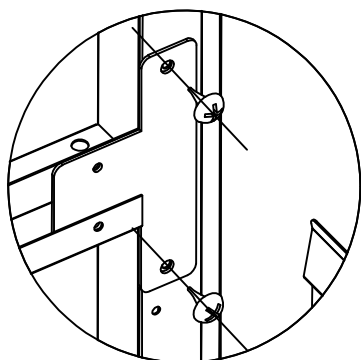
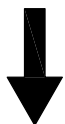
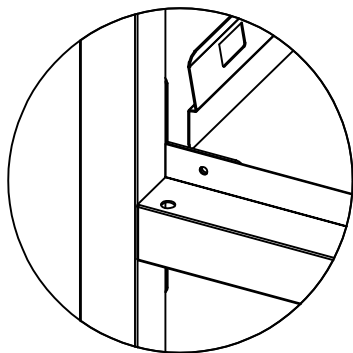
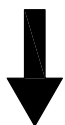
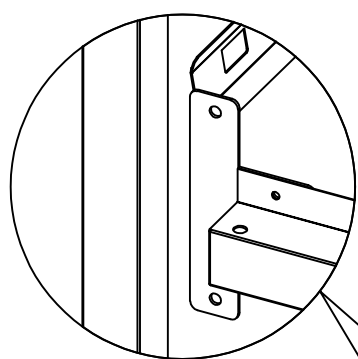
Step 3

Connect right back panel 4 with side panel 1 and kick plate 2 by screws A, then connect two back panels 3 and 4 with nuts B and screws C

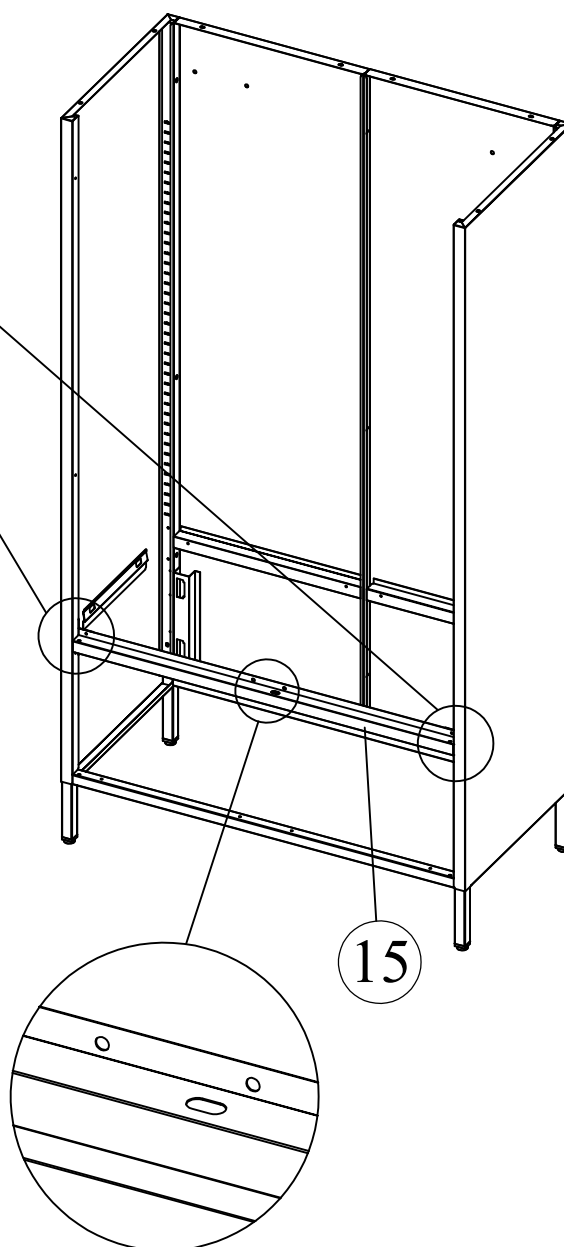


Step 4

Install the waist face 15 on the side panels with screws A



Ensure the left side holes of 15 are aligned with the holes of the left side panel, then fix them with screws A, so is the right side.



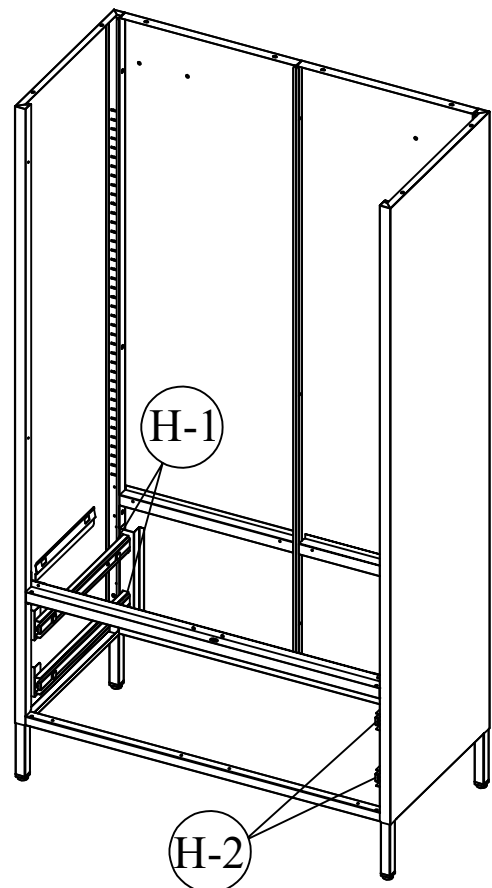
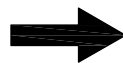
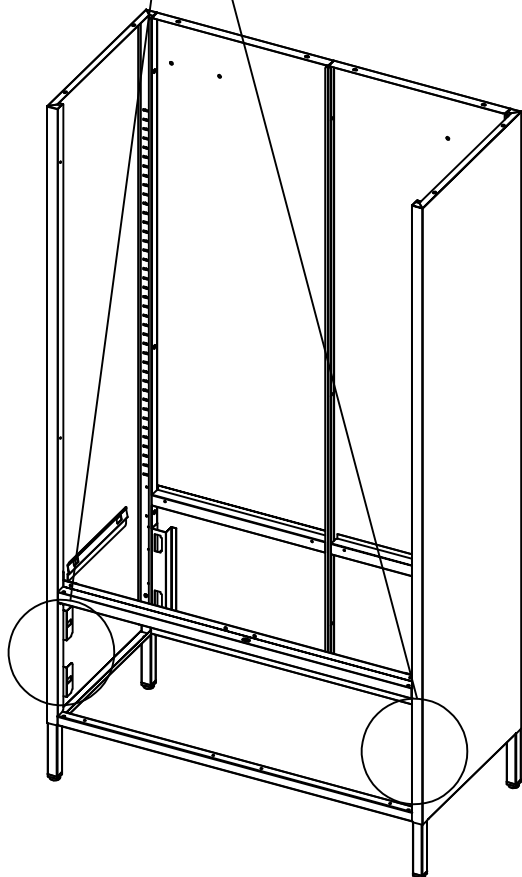
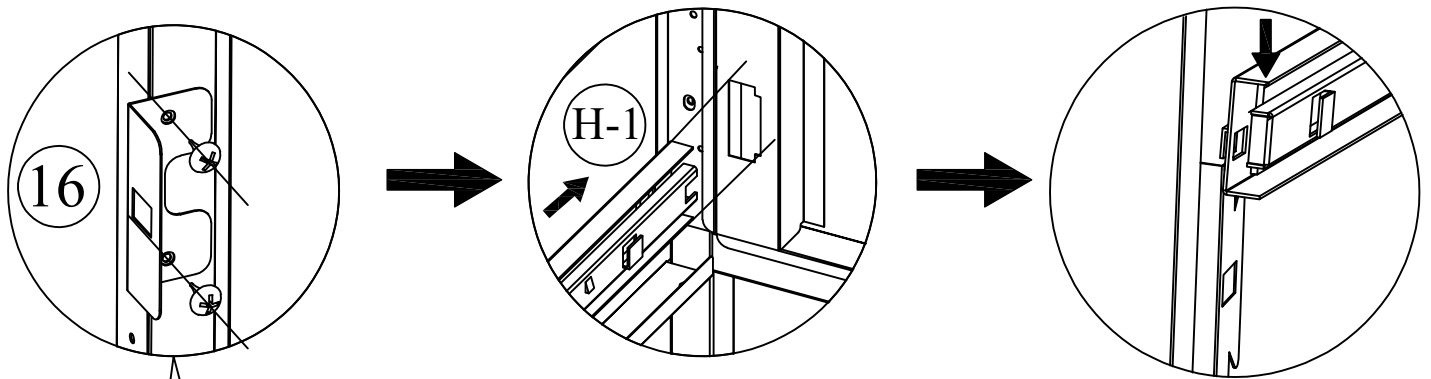
Step 5

Install the guide rail brackets 16 on both side panels with screws A, then install the guide rails H



Attention: the direction!

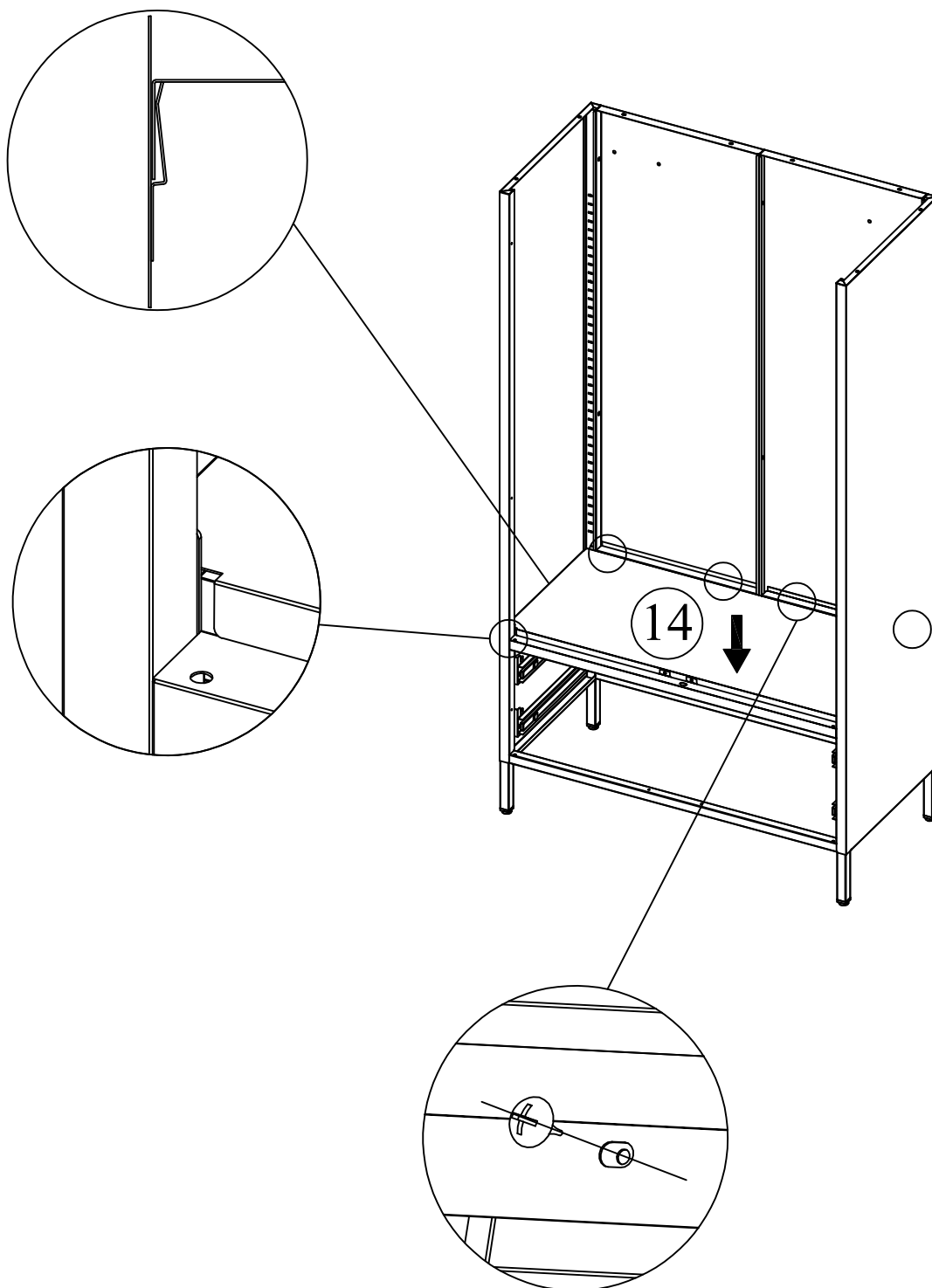
Insert the back of rail to the hole of the back panel, then align the front hook of another side (the slider can be pull out) to the rectangle hole of bracket 16, press down and insert into the hole.



Step 6

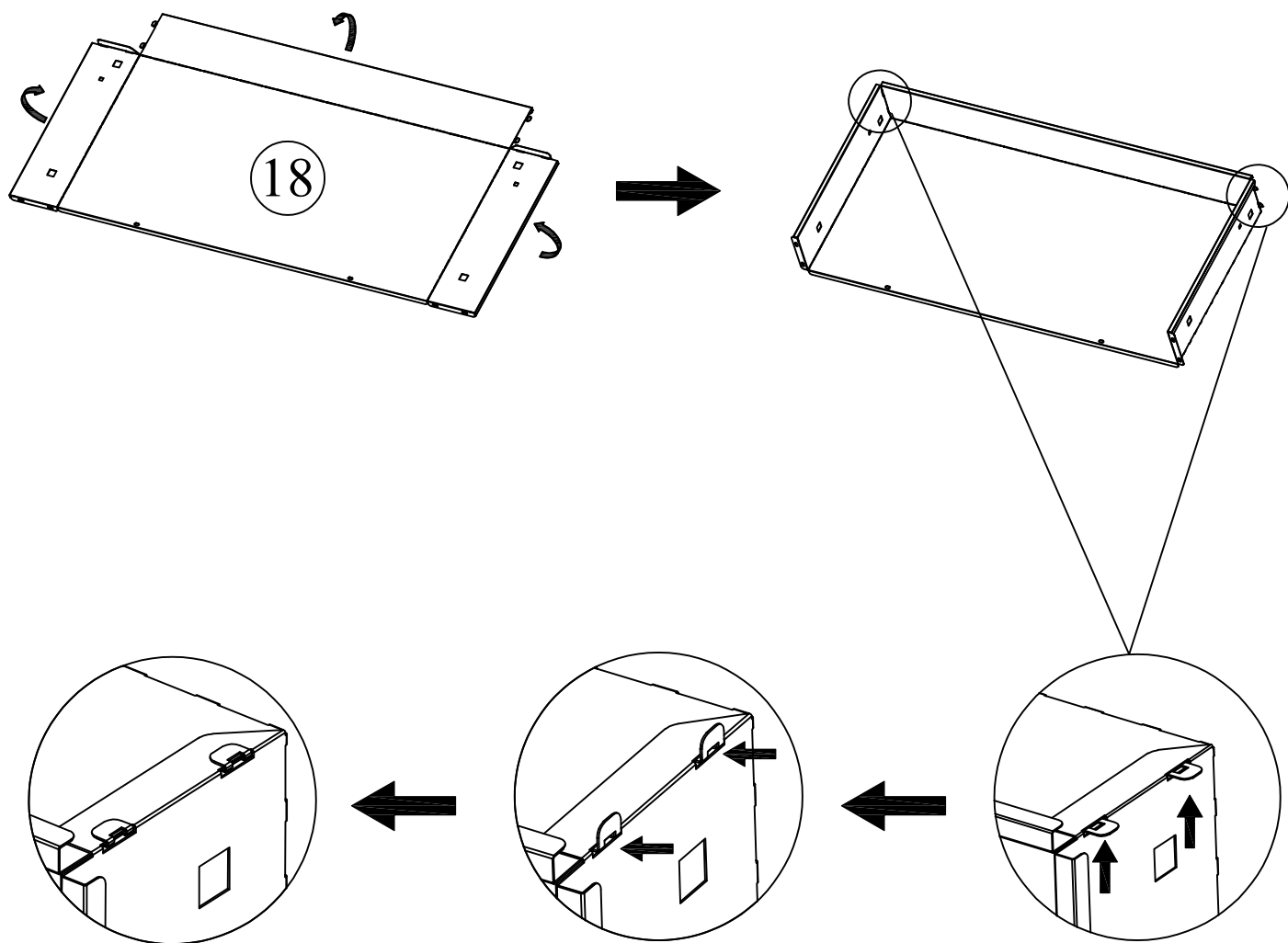
Install waist panel 14 on cabinet with screws A

(A)  × 4




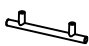

Step 7

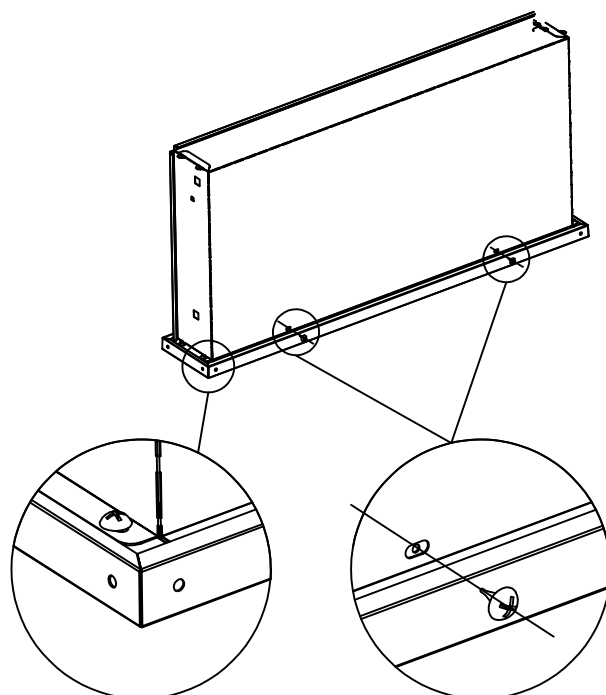
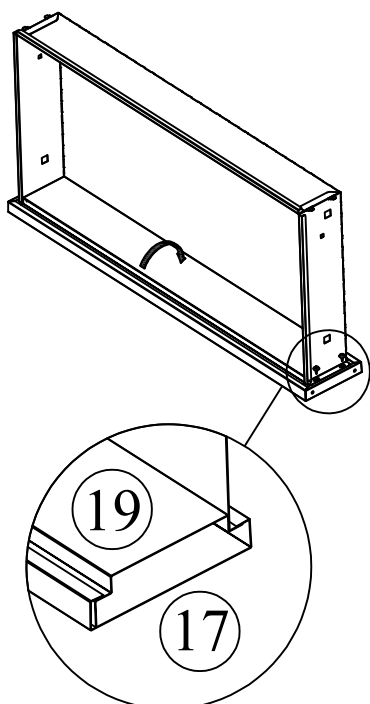
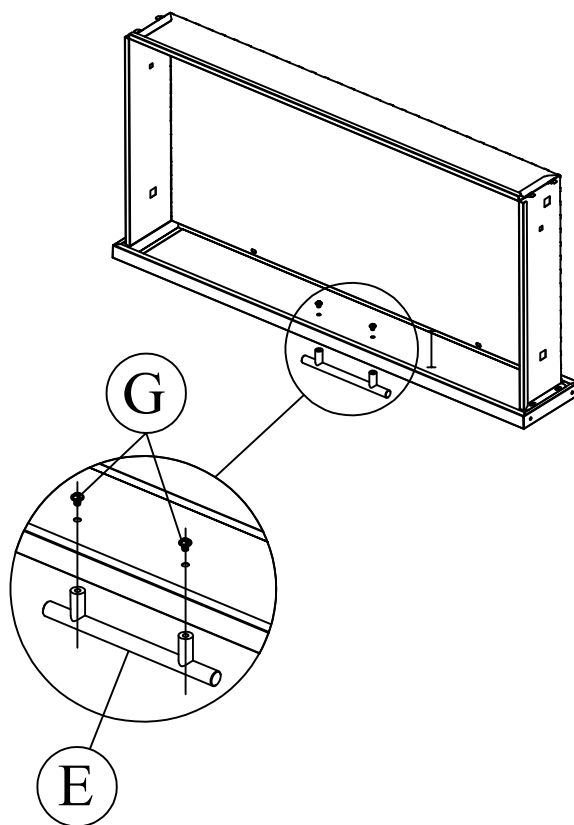
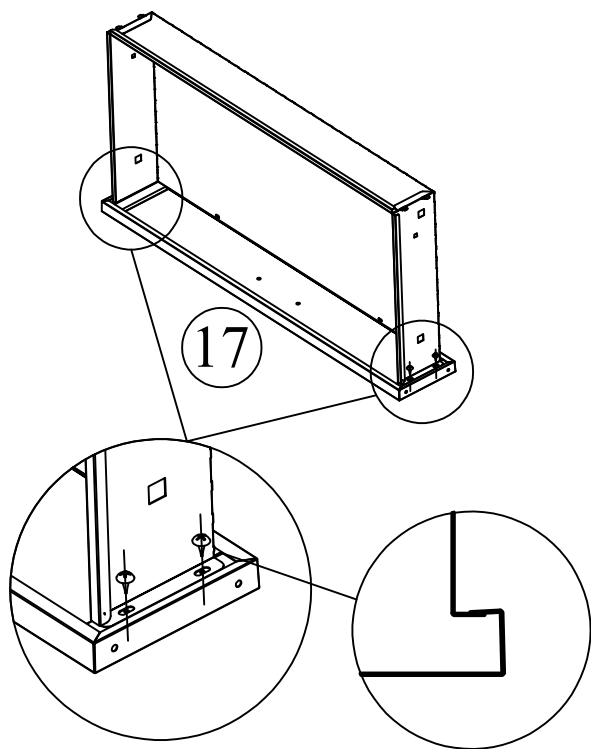
Unfold drawer bucket 18 and fold the small parts



Step 8

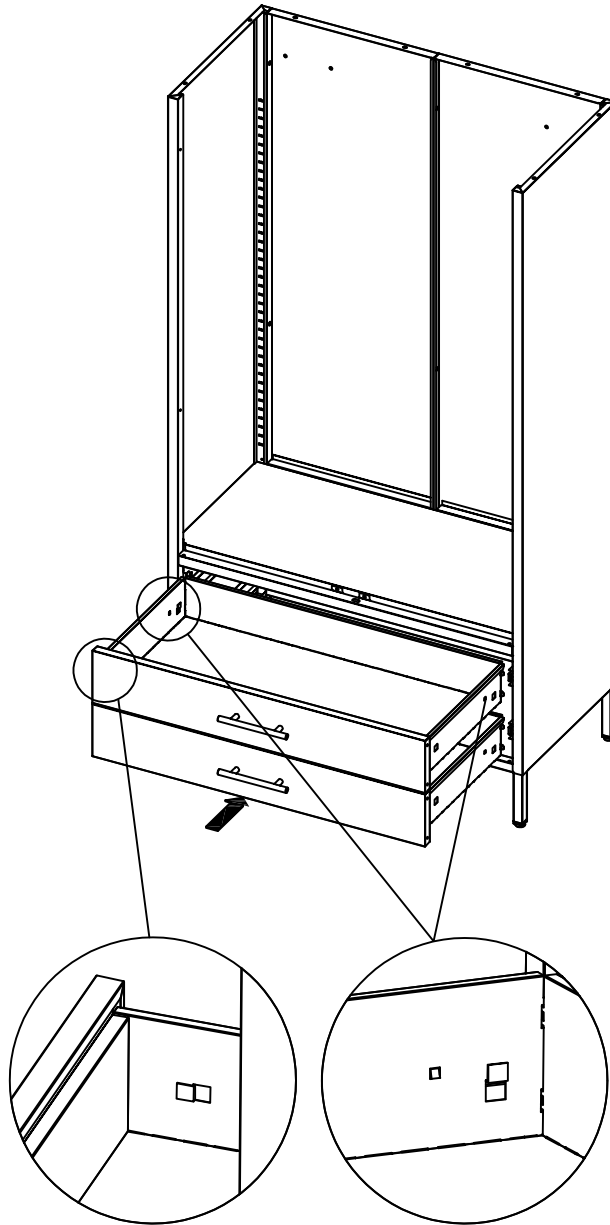
Then install drawer panel 17 with 4 screws A, and install drawer seals 19 with 2 screws A (put in the front of 19 firstly)
Fix the doornob E to the drawer with screws G

- (A)  × 6
- (E)  × 1
- (G)  × 2



Step 9

Install the assembled drawer in the cabinet.



There are 2 ways to install the drawer.

Option 1: First, completely pull out the slide rails of the left and right side panels, and place the drawer above the inner side of the slide rails. Make sure that the hanging holes in the front on both sides of the drawer are aligned with the hooks of the slide rails, connect them first, then press down the end holes to make the hooks fully enter the hanging holes.

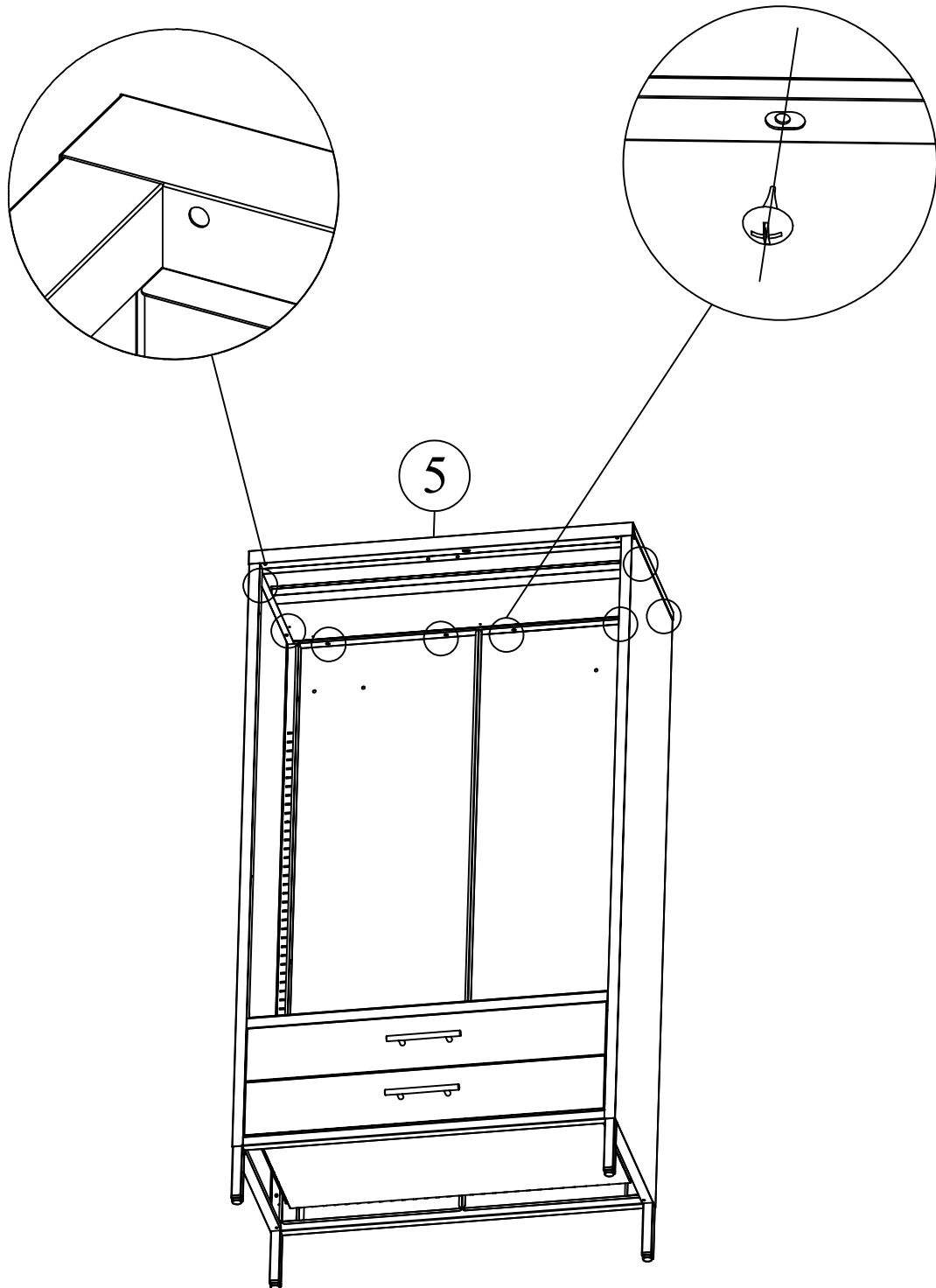
Option 2: Completely pull out the slide rail, find the small black part on the front rail, put it upward or downward to divide the rail to 2 parts. Attach the front part on the drawer side panel, so as the another side. Then align the rails on the side panels A and drawer sides and push it.

Pull out the drawer twice slowly and the lubricating oil inside the slide rails will come out and the drawer will work.

Step 10

Connect top panel 5 with back panels and side panels by screws A

Ⓐ  × 8



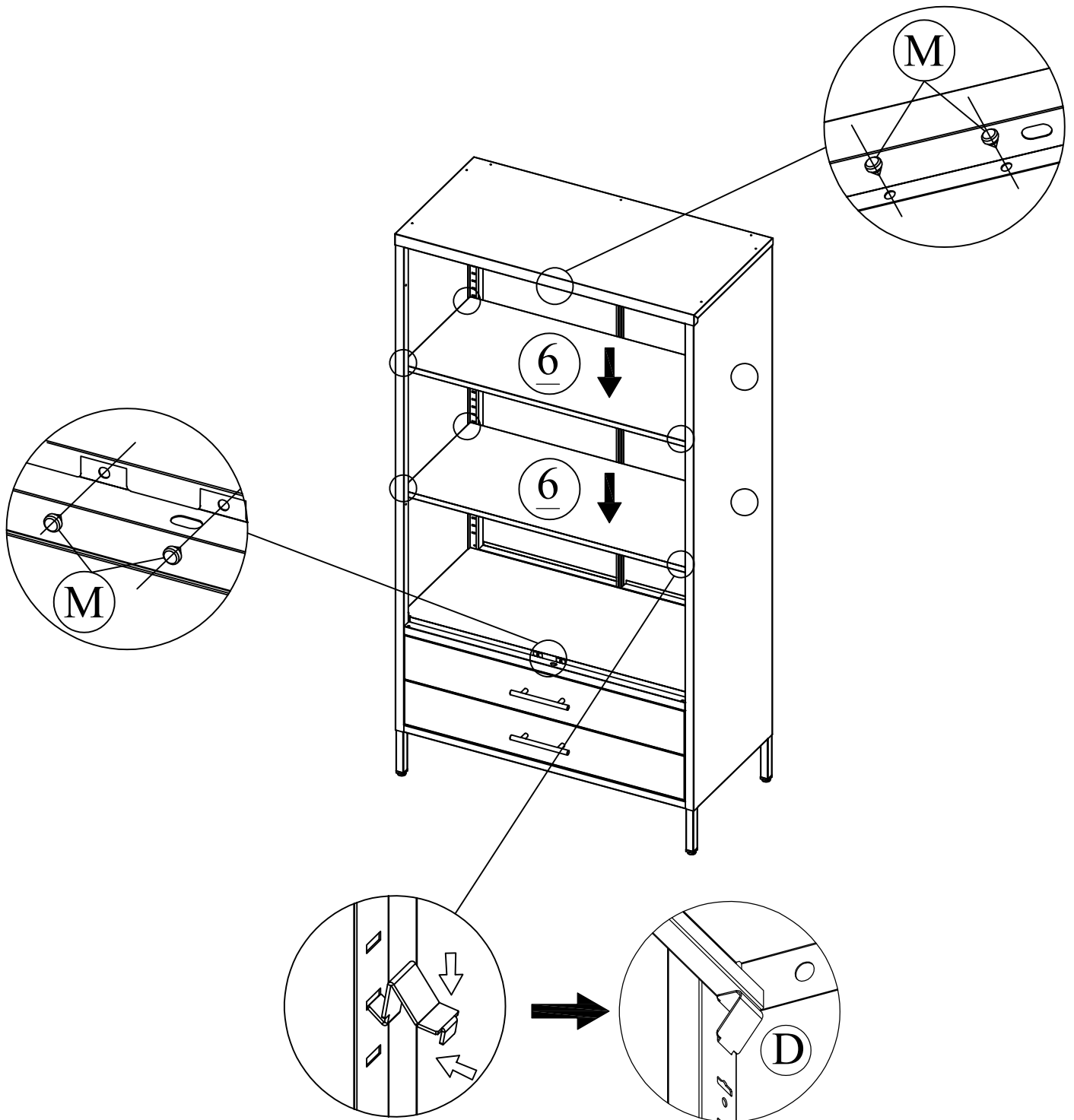
Step 11

Install the shelf clasps D and put the shelves 6 on them

Install 4 shock absorbers M on the top and bottom as shown below

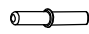


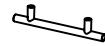
(D)  × 8

(M)  × 4

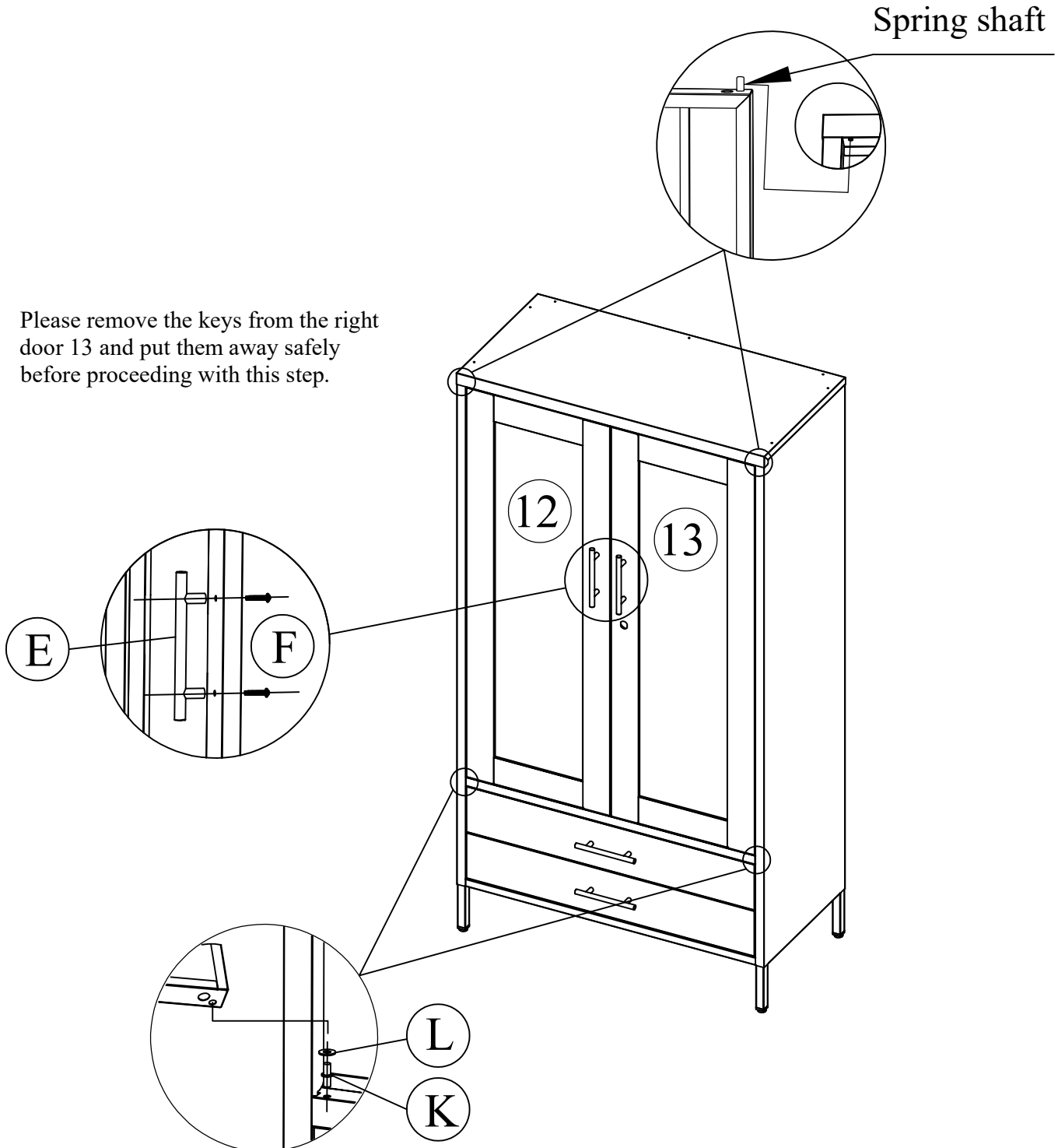


Step 12

Insert the door pivots K into the holes of the both sides of the bottom corner (shims L can be used to adjust), then insert the doors into the door pivots on the bottom and adjust the springs on the top
Install 2 doorknobs E on the doors with screws F

- (K)  × 2
- (L)  × 4
- (F)  × 4
- (E)  × 2

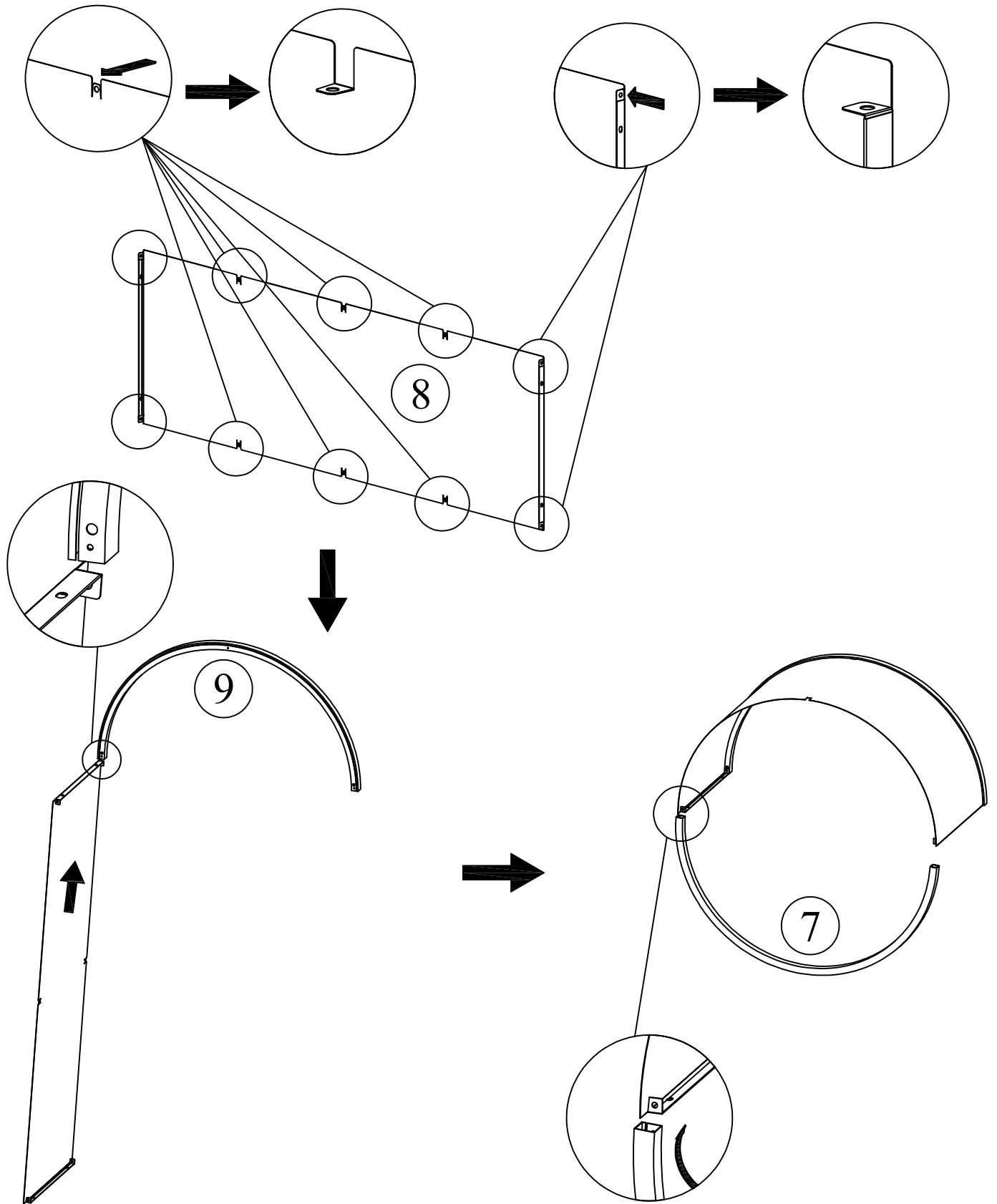
Spring shaft



Step 13

Fold all the small parts on dome panel 8 towards the middle for 90 degree

Insert dome panel 8 into dome back tube 9 and dome front tube 7

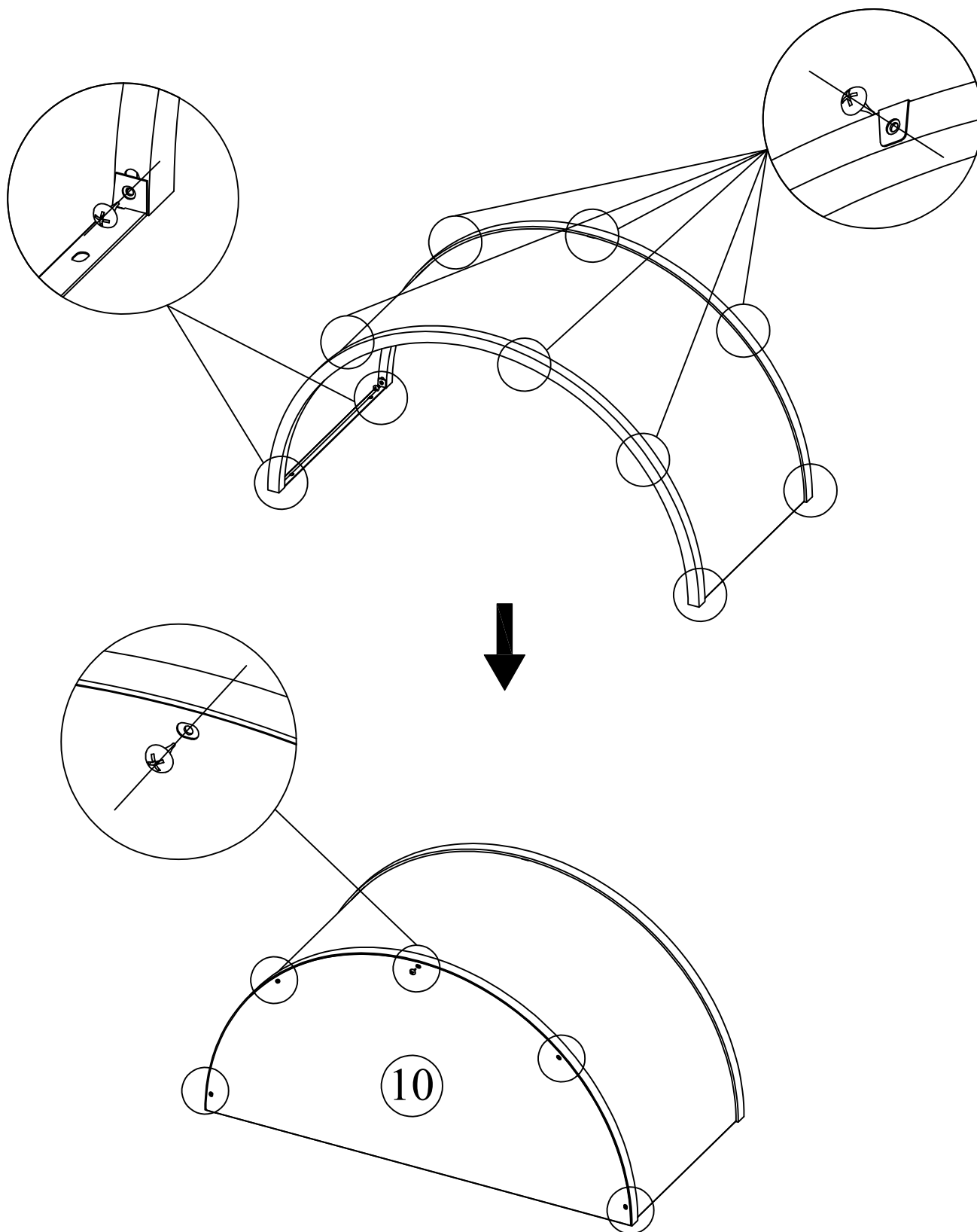


Step 14

Fix the dome panels and tubes with 10 screws
A in the middle and ends

Ⓐ  × 15

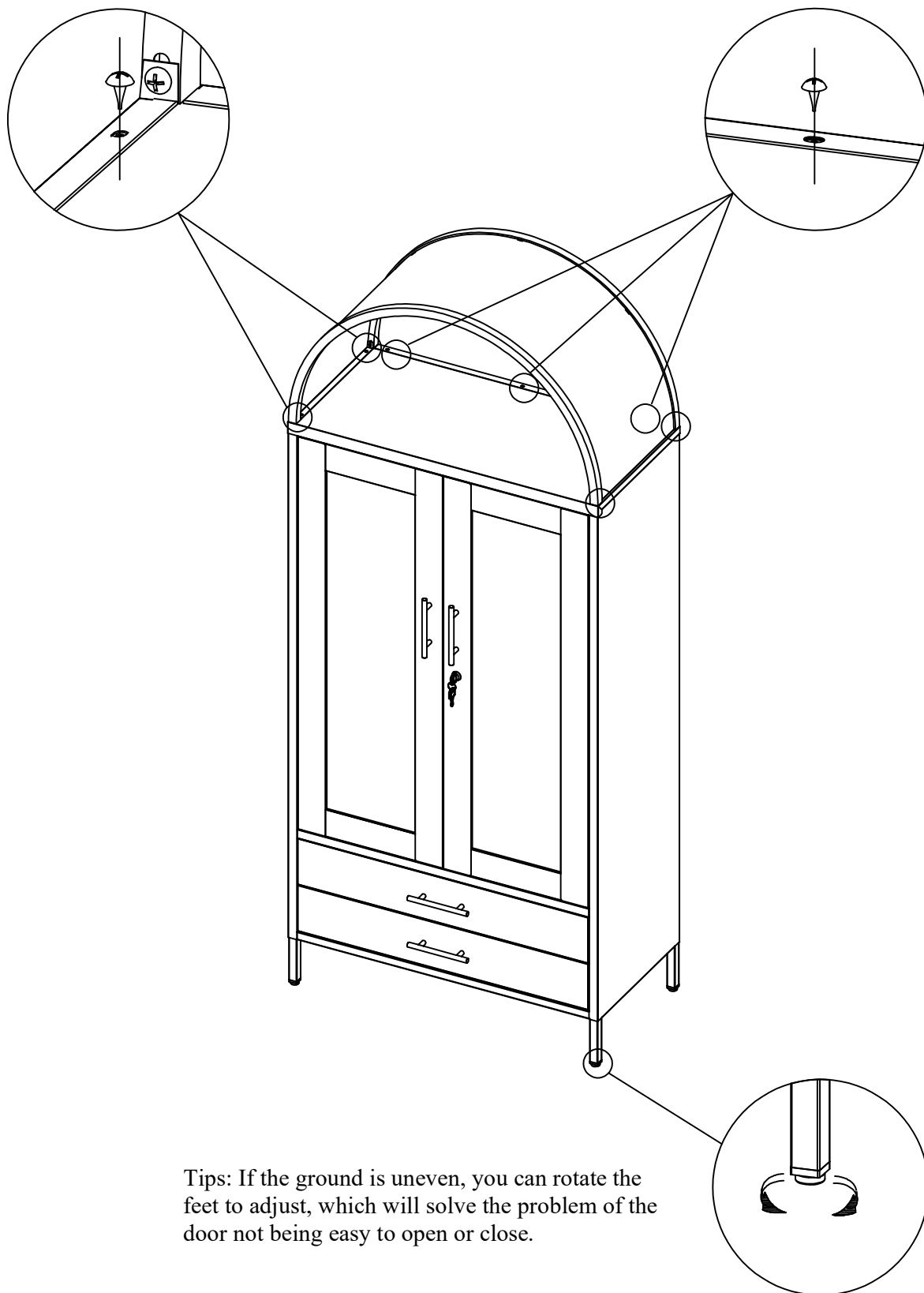
Fix the dome back panel 10 with 5 screws A



Step 15

Fix the dome on the top of the cabinet with screws A, then adjust the feet of the cabinet

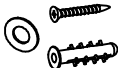
(A)  × 7



Tips: If the ground is uneven, you can rotate the feet to adjust, which will solve the problem of the door not being easy to open or close.

Step 16

Fix the cabinet to the wall with screws
I to prevent tipping

①  × 2

