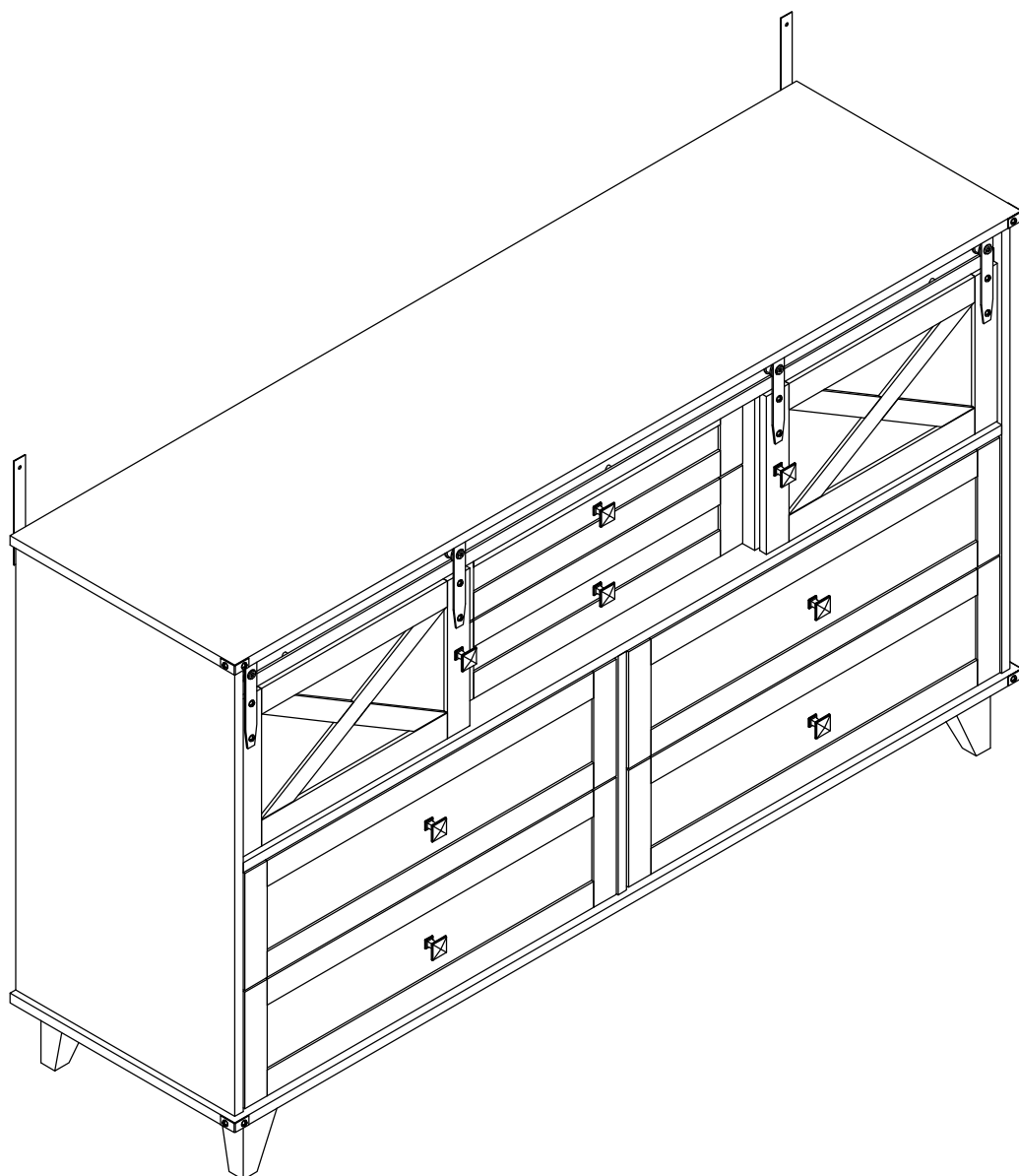
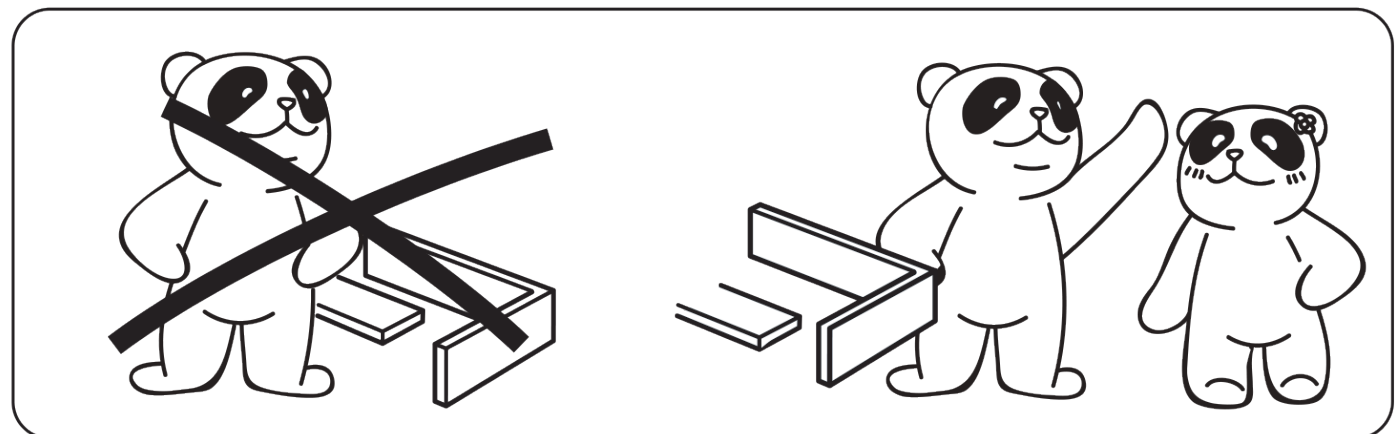
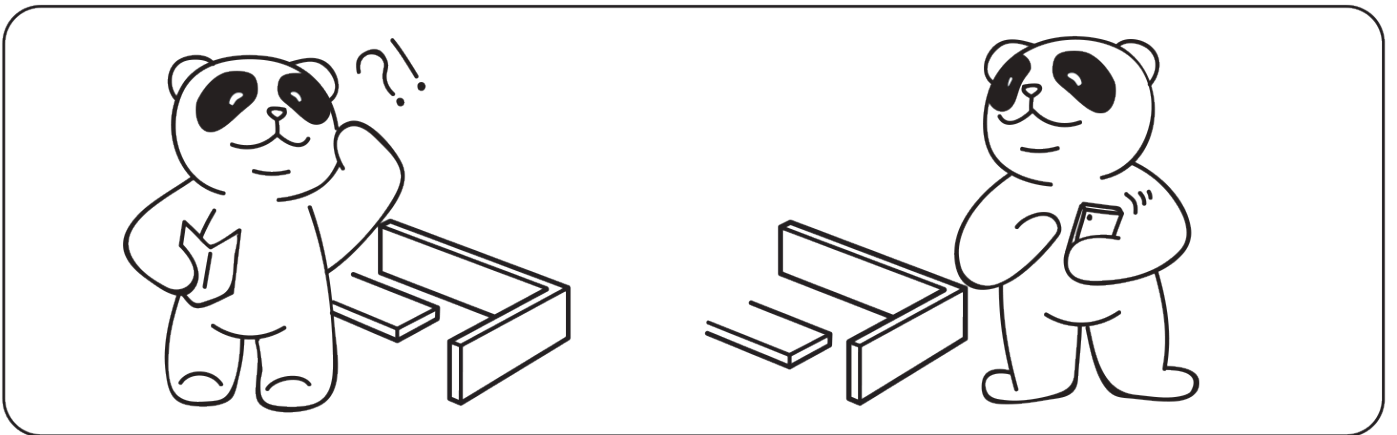
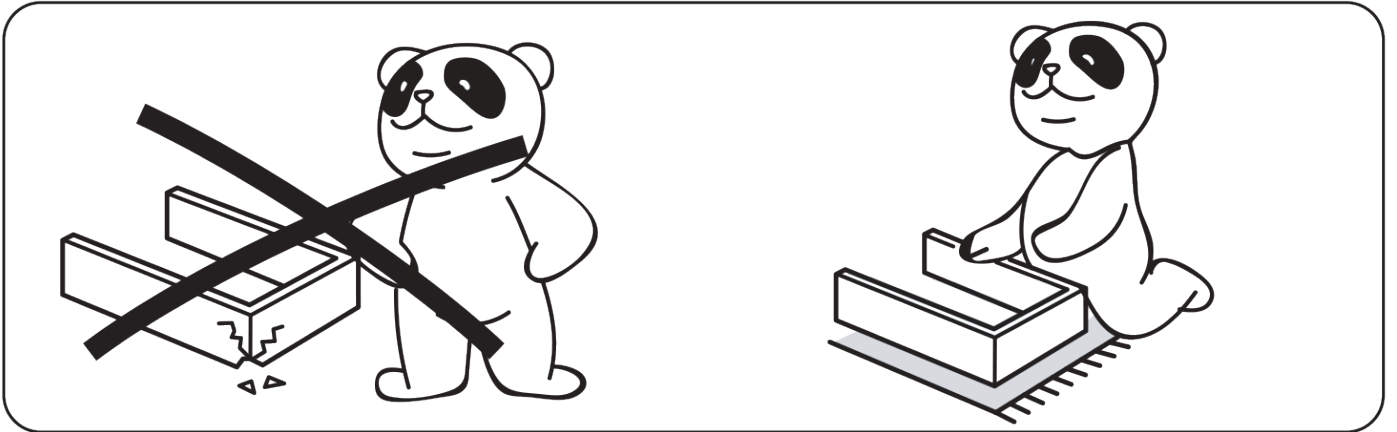
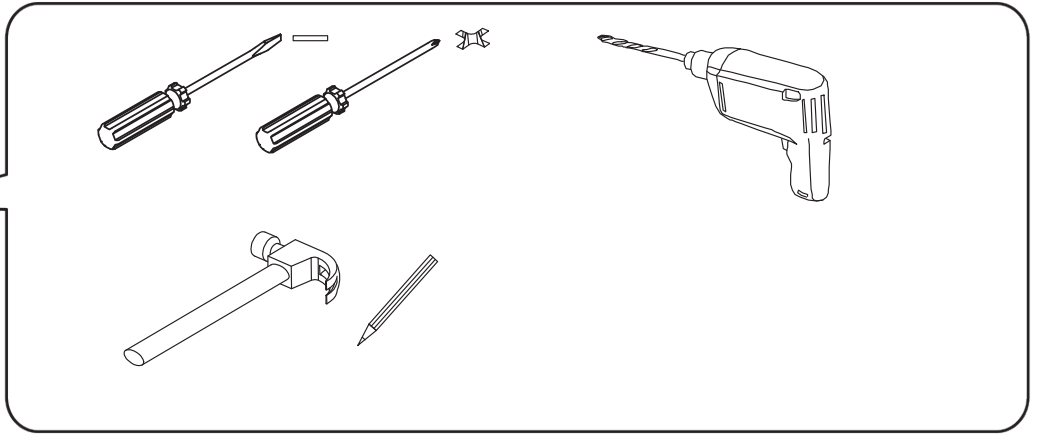


# Chest of drawers





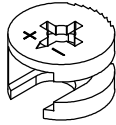
# Installation Parts



**A**

x48(+2)

Ø6x35mm



**B**

x48(+2)

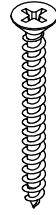
Ø15x10mm



**C**

x24(+2)

Ø6x30mm



**D**

x44(+3)

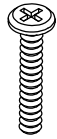
Ø4x35mm



**E**

x72(+5)

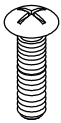
Ø3.5x12mm



**F**

x3

Ø6x25mm



**G**

x4

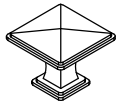
Ø4x16mm



**H**

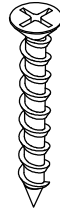
x6

Ø4x10mm



**I**

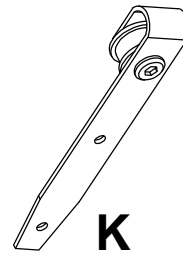
x8



**J**

x8

Ø5x40mm



**K**

x4



**L**

x4



**M**

x1



**N**

x8

Ø4x12mm



**O**

x2



**P**

x2

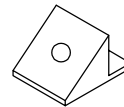
Ø6x30mm



**Q**

x14

Ø3x16mm



**R**

x14



**S**

x2

Ø4x14mm



**CL-1**

x2

L300mm



**CR-1**

x2

L300mm



**DL-1**

x2

L300mm



**DR-1**

x2

L300mm



**CL-2**

x4

L350mm



**CR-2**

x4

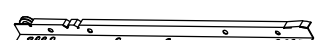
L350mm



**DL-2**

x4

L350mm

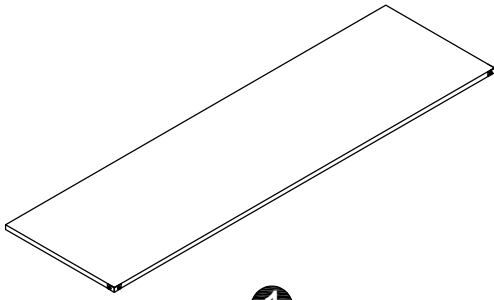


**DR-2**

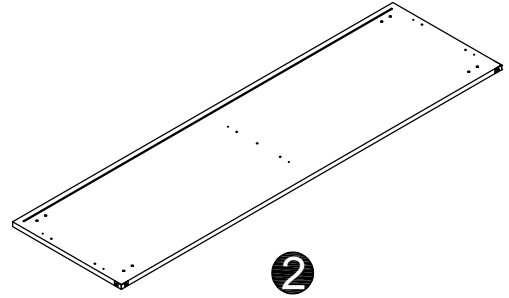
x4

L350mm

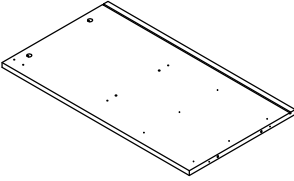
# Mounting frame



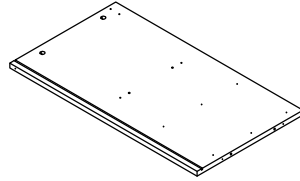
1  
x1



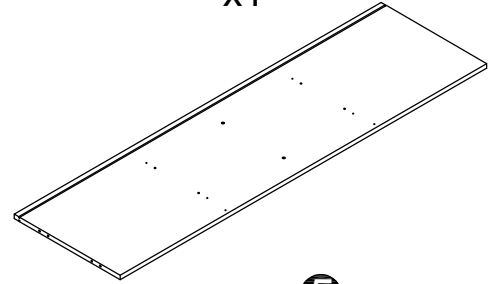
2  
x1



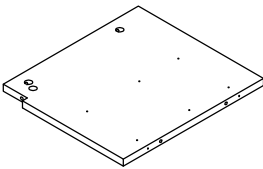
3  
x1



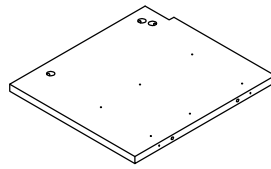
4  
x1



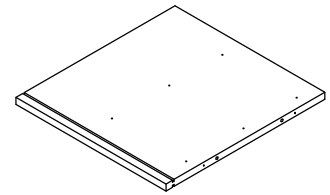
5  
x1



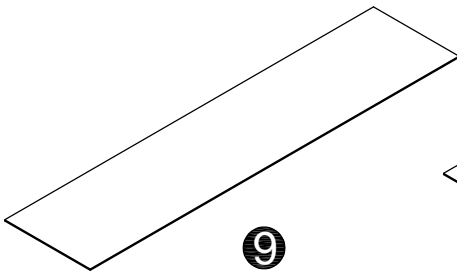
6  
x1



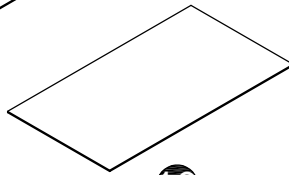
7  
x1



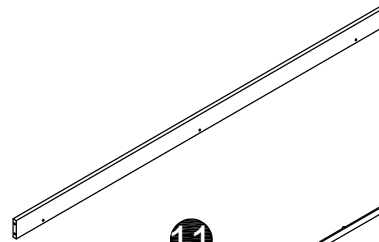
8  
x1



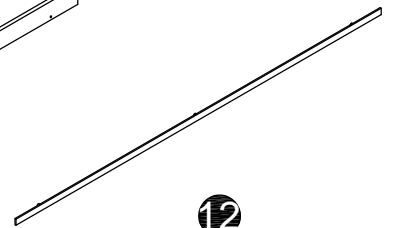
9  
x1



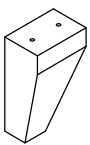
10  
x2



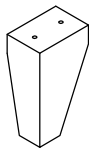
11  
x1



12  
x1



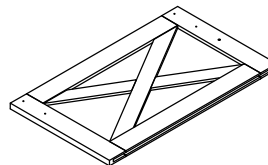
13  
x2



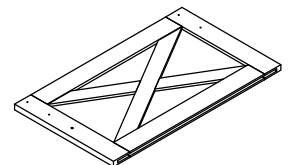
14  
x2



15  
x1

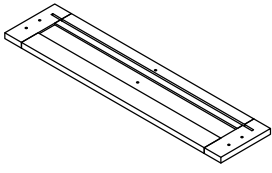


16  
x1

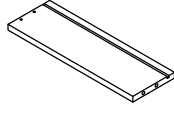


17  
x1

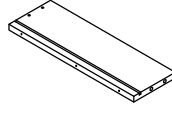
# Drawer



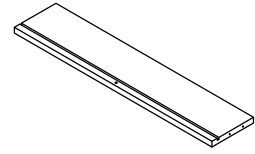
18  
x2



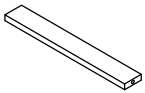
19  
x2



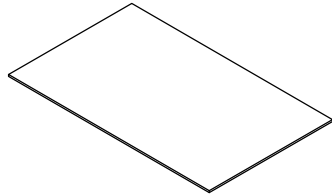
20  
x2



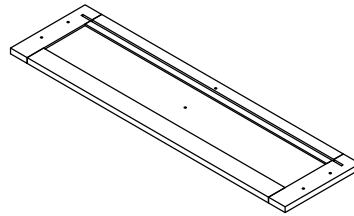
21  
x2



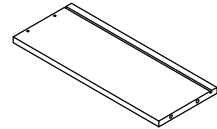
22  
x2



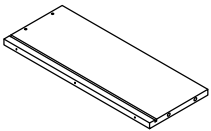
23  
x2



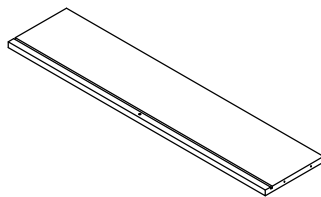
24  
x4



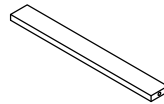
25  
x4



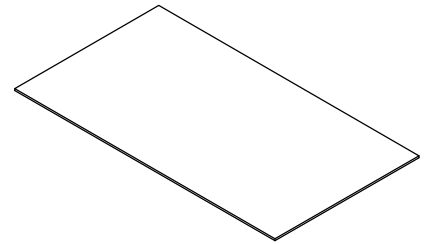
26  
x4



27  
x4

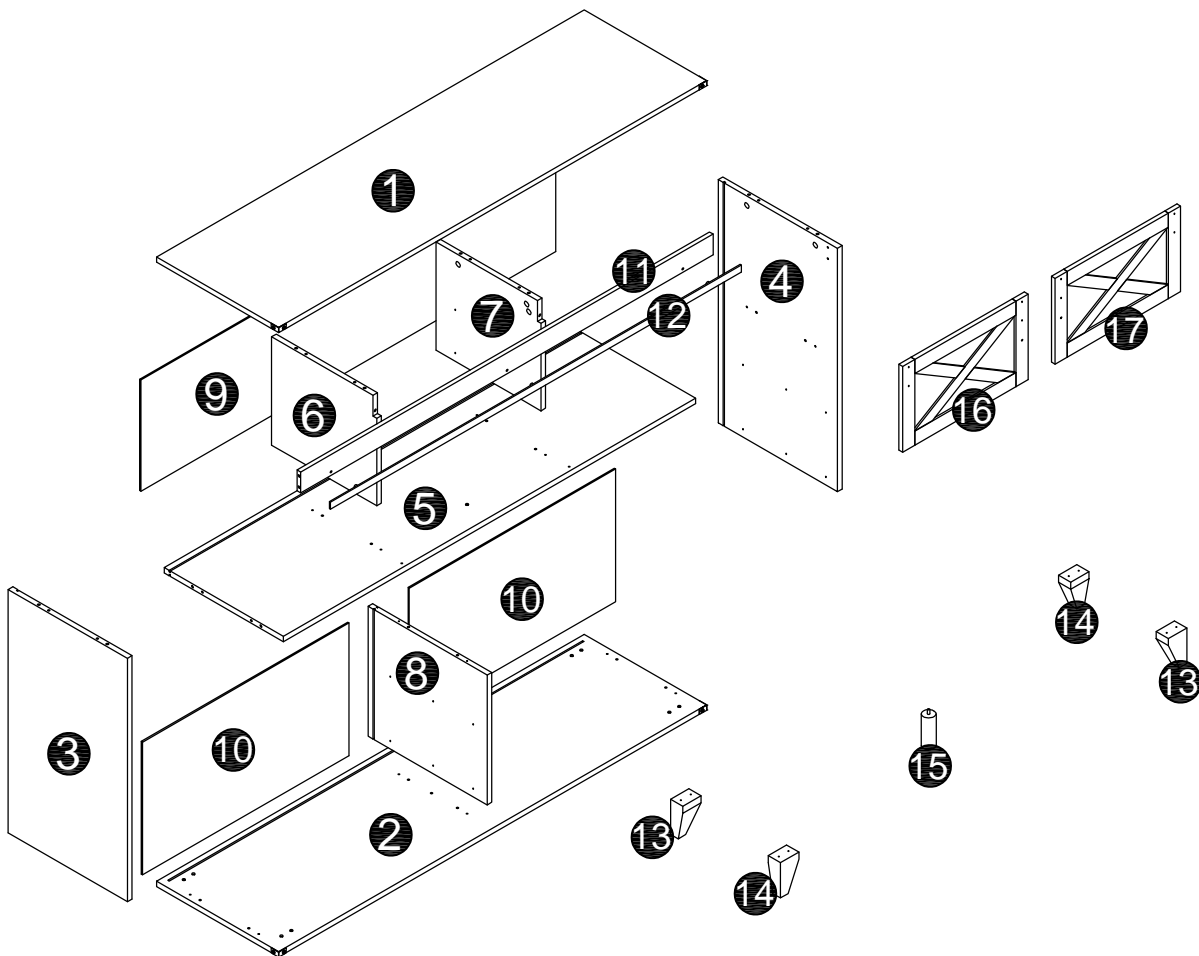
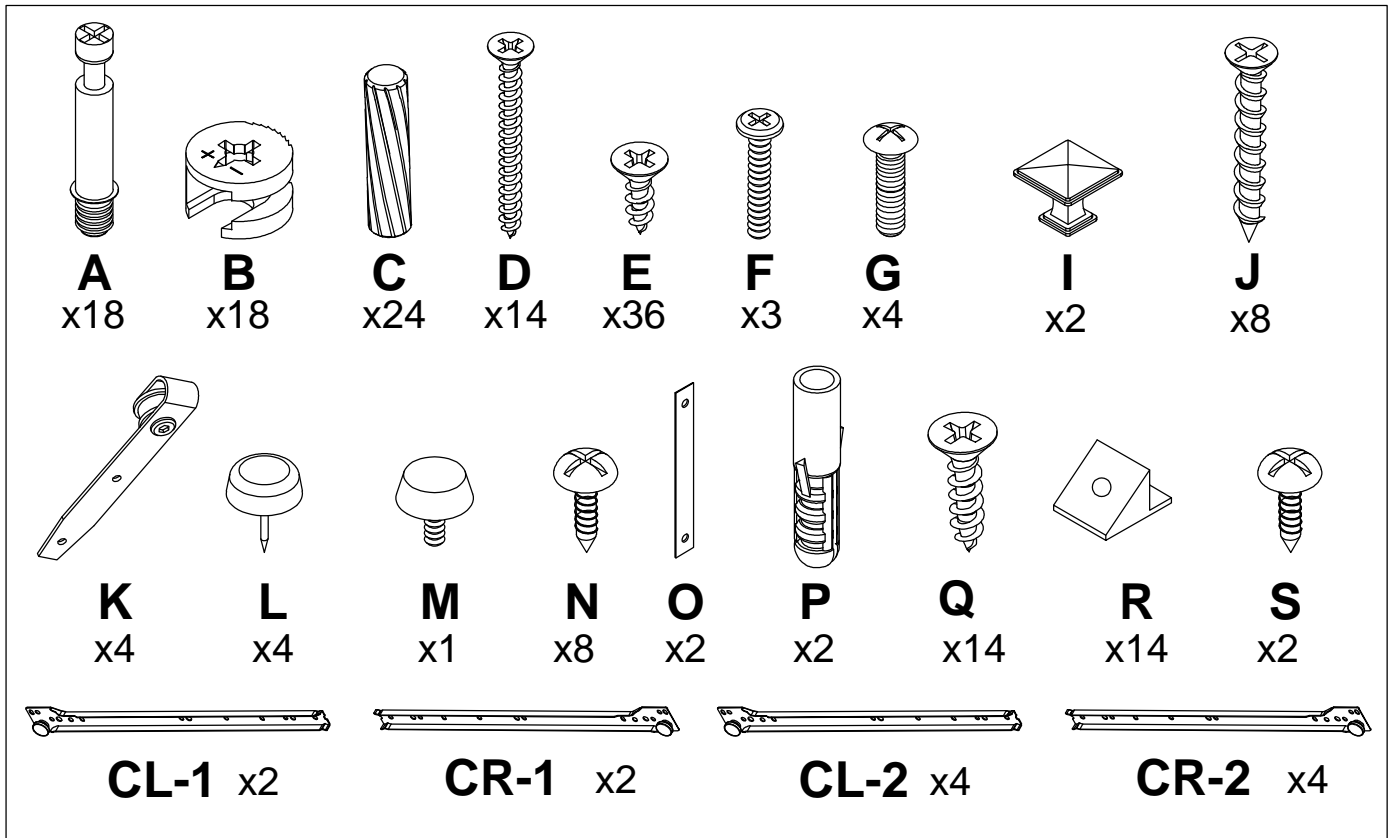





28  
x4

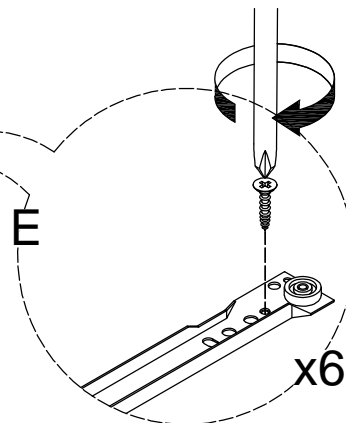
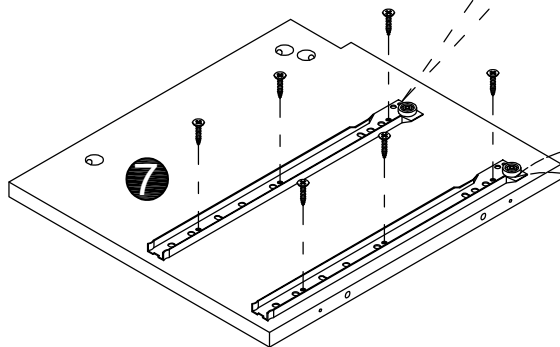
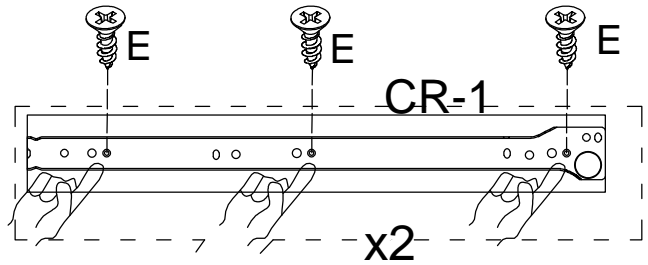
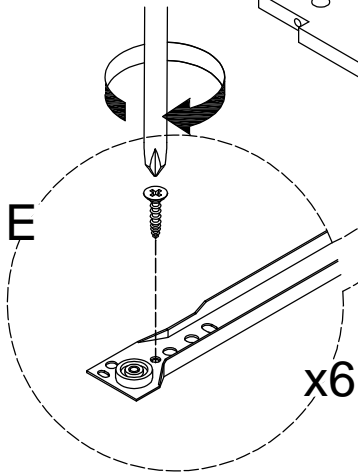
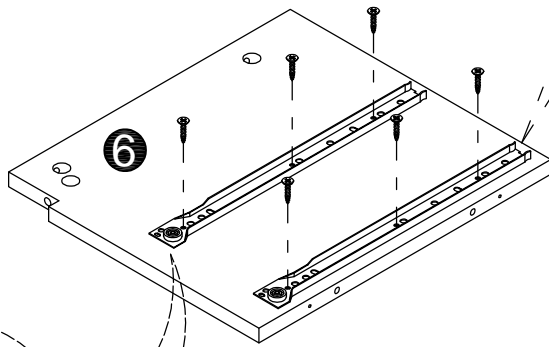
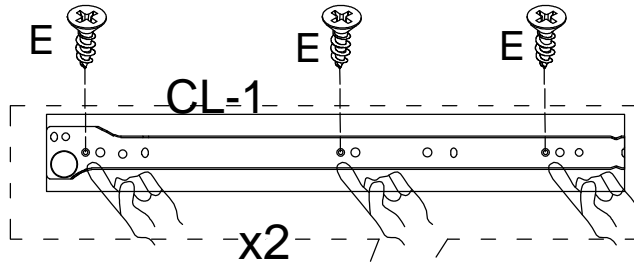


29  
x4

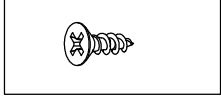
# Mounting frame



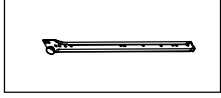
E	x12
	
CL-1	x2
	
CR-1	x2
	



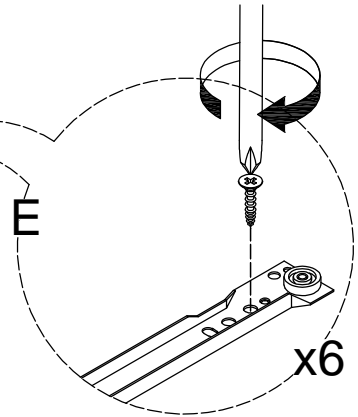
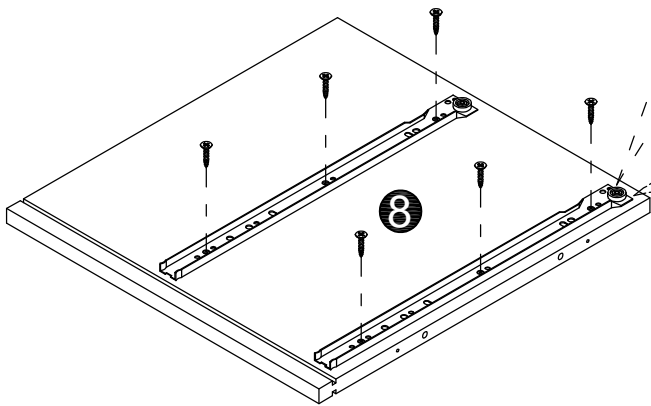
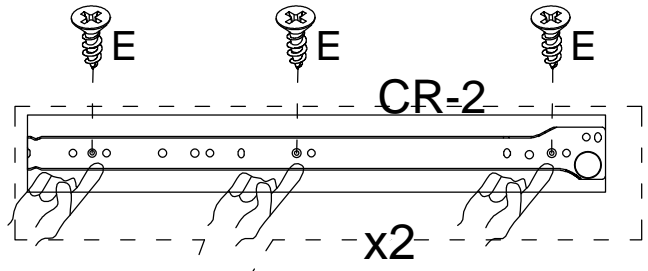
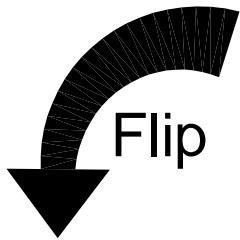
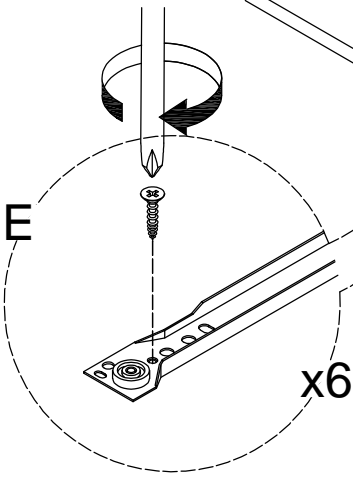
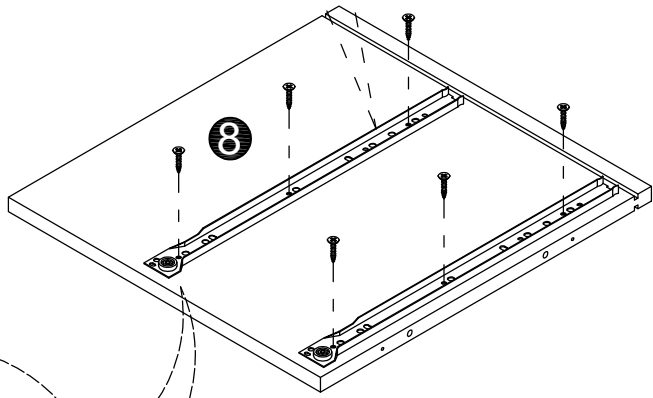
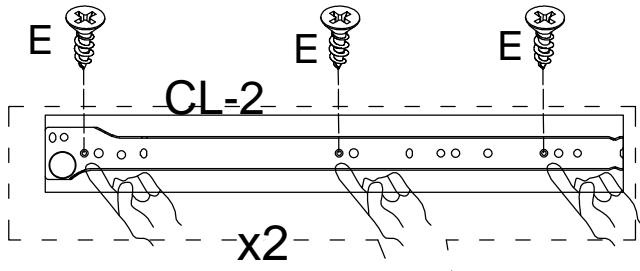
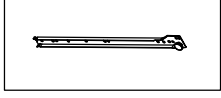
E x12

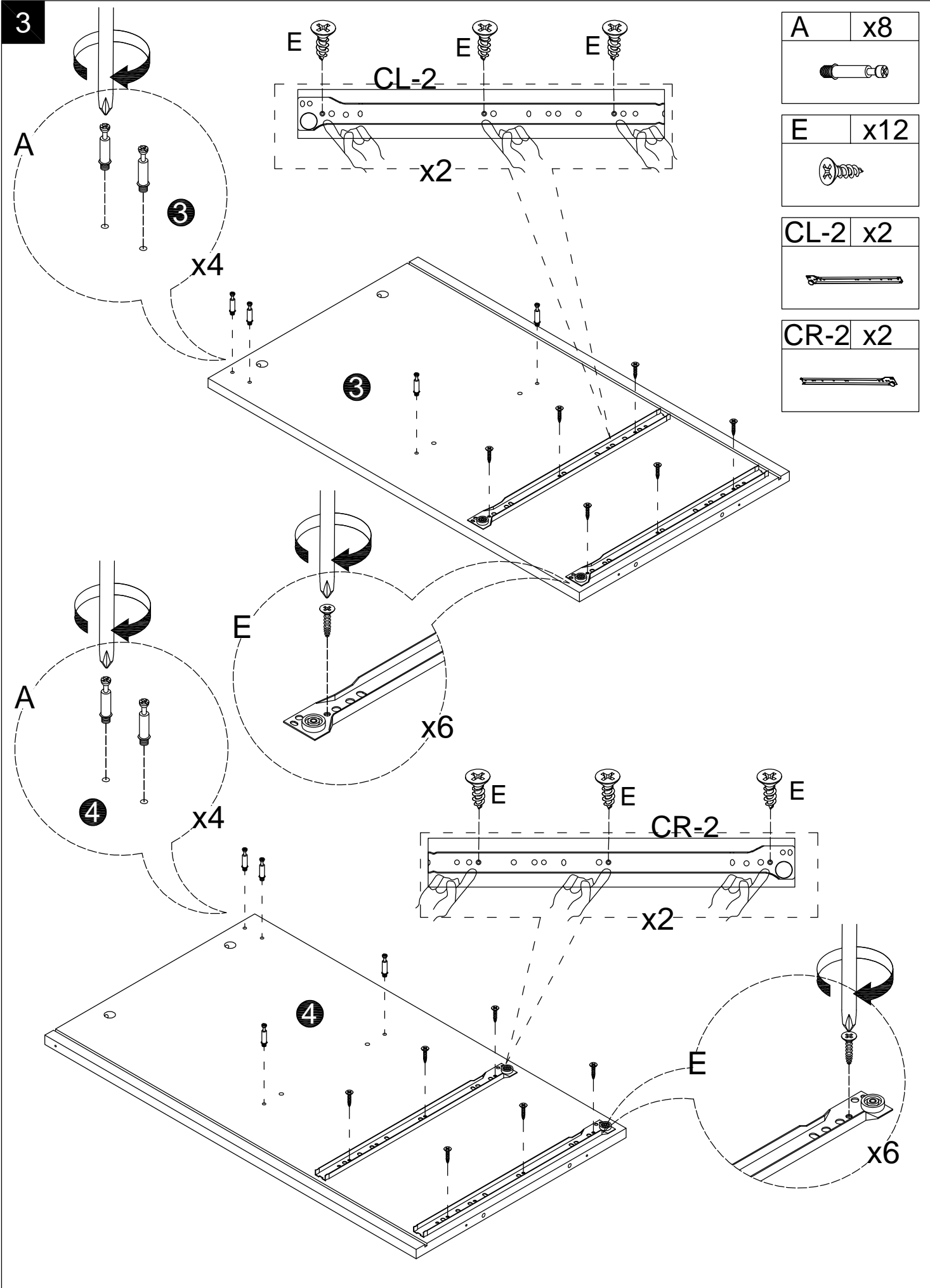


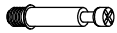



CL-2 x2



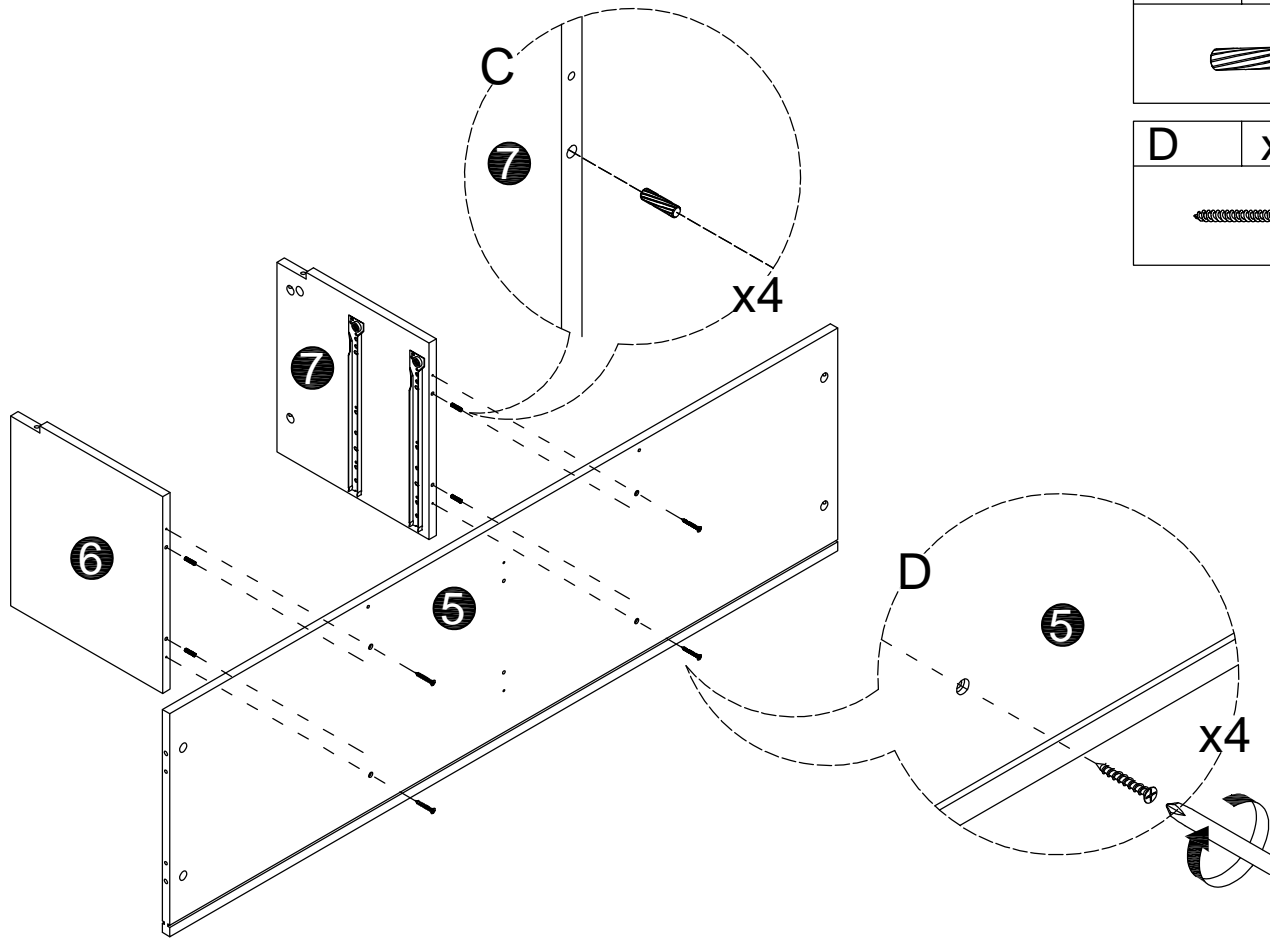
CR-2 x2







A	x8
	
E	x12
	
CL-2	x2
	
CR-2	x2
	

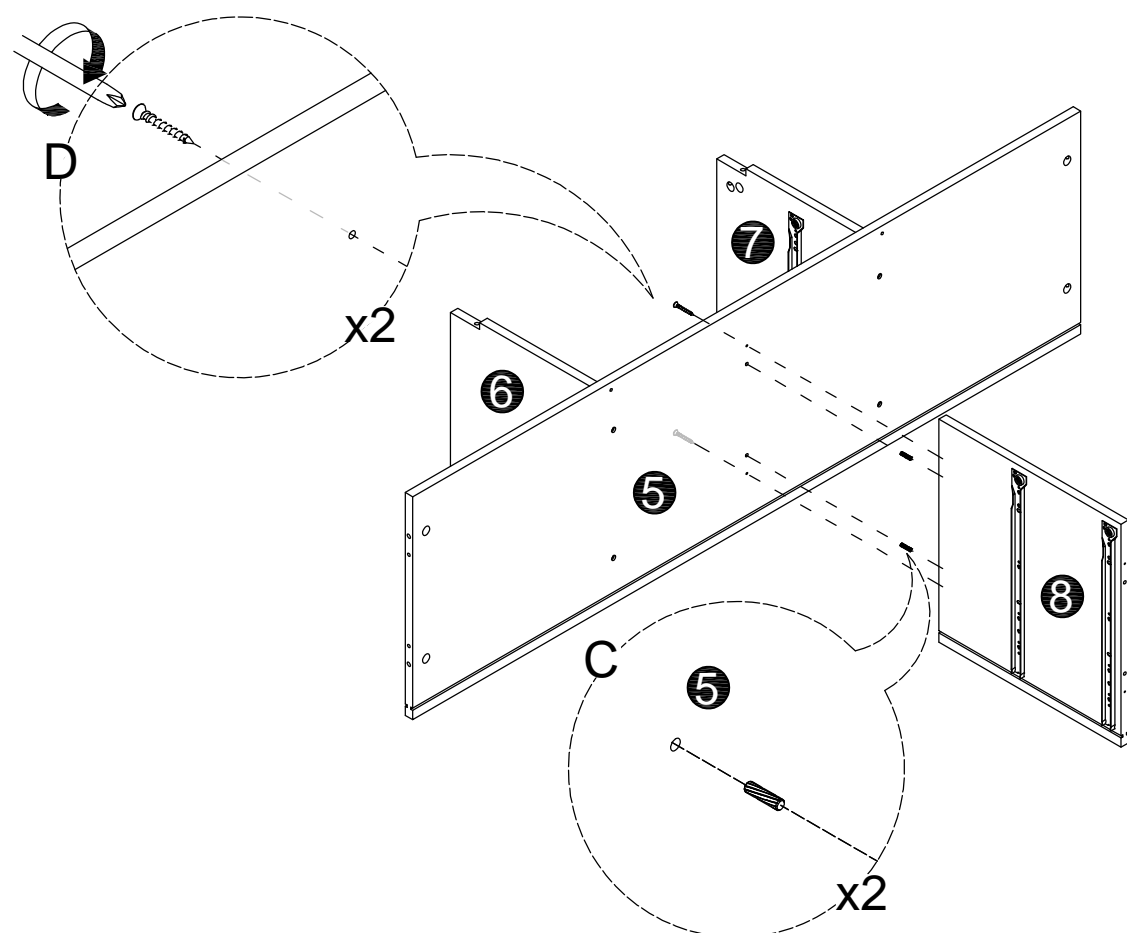
4





C	x4
	

D	x4
	

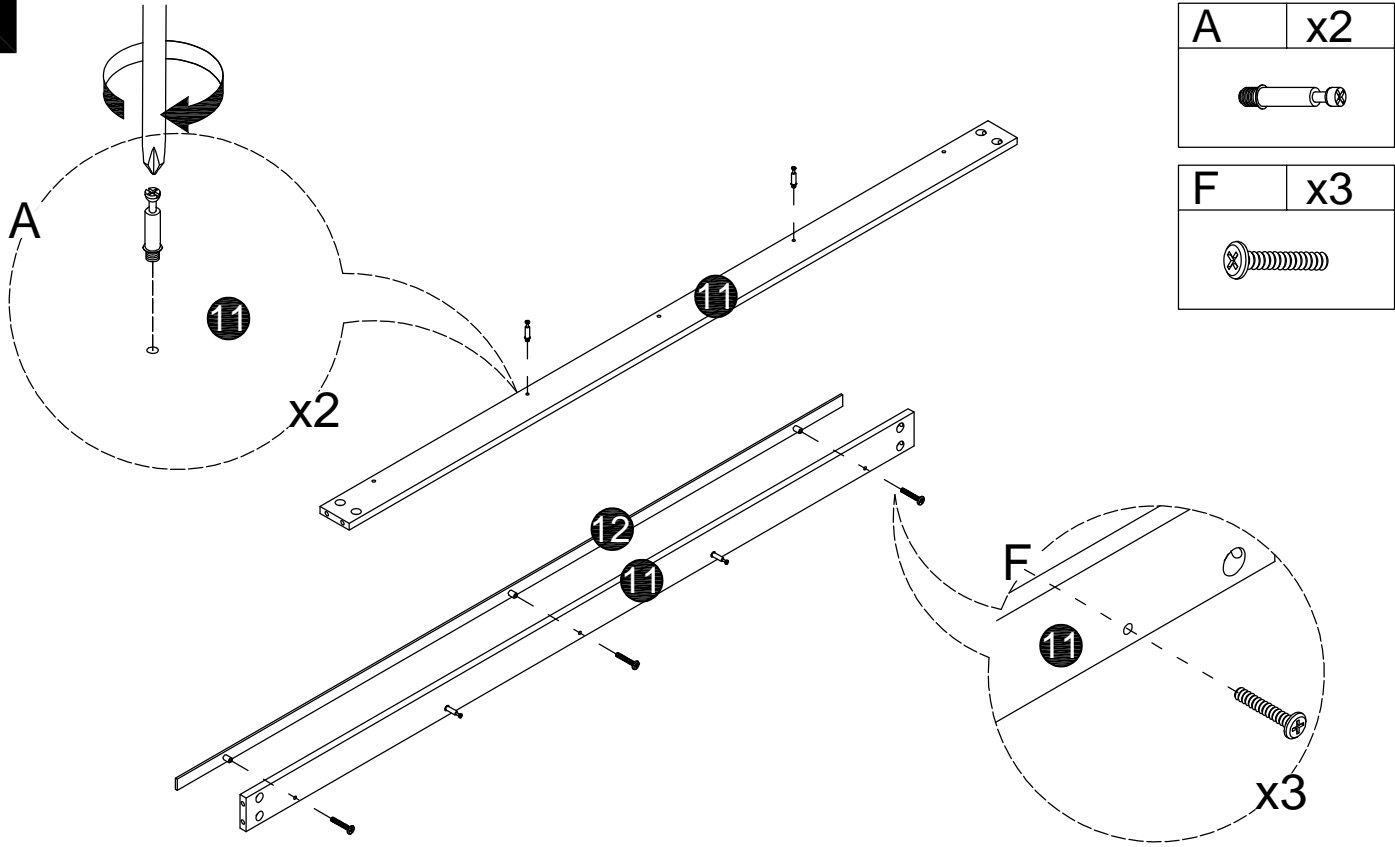
5

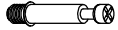


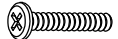
C	x2
	

D	x2
	

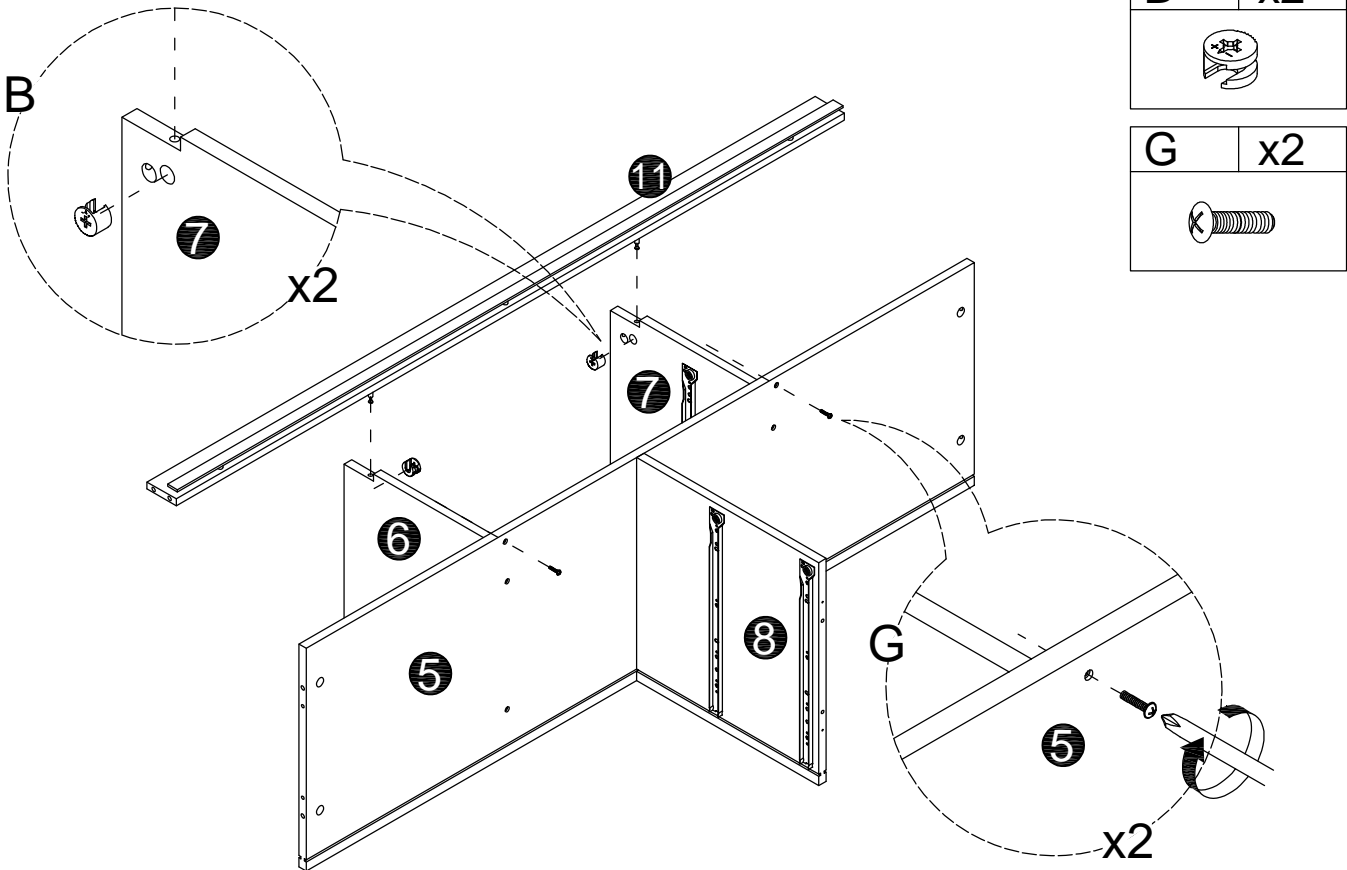
6




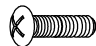
A	x2
	

F	x3
	

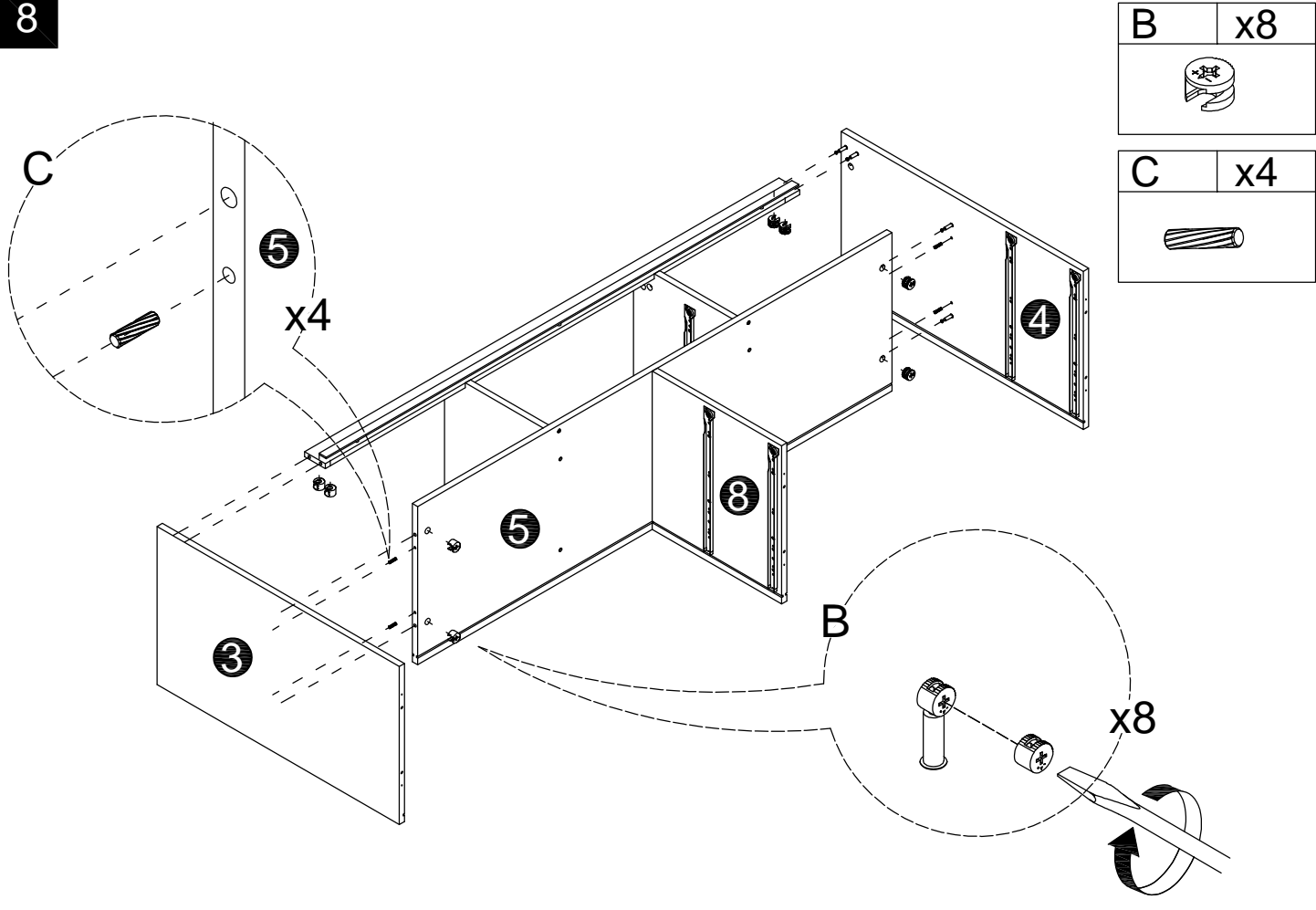
7



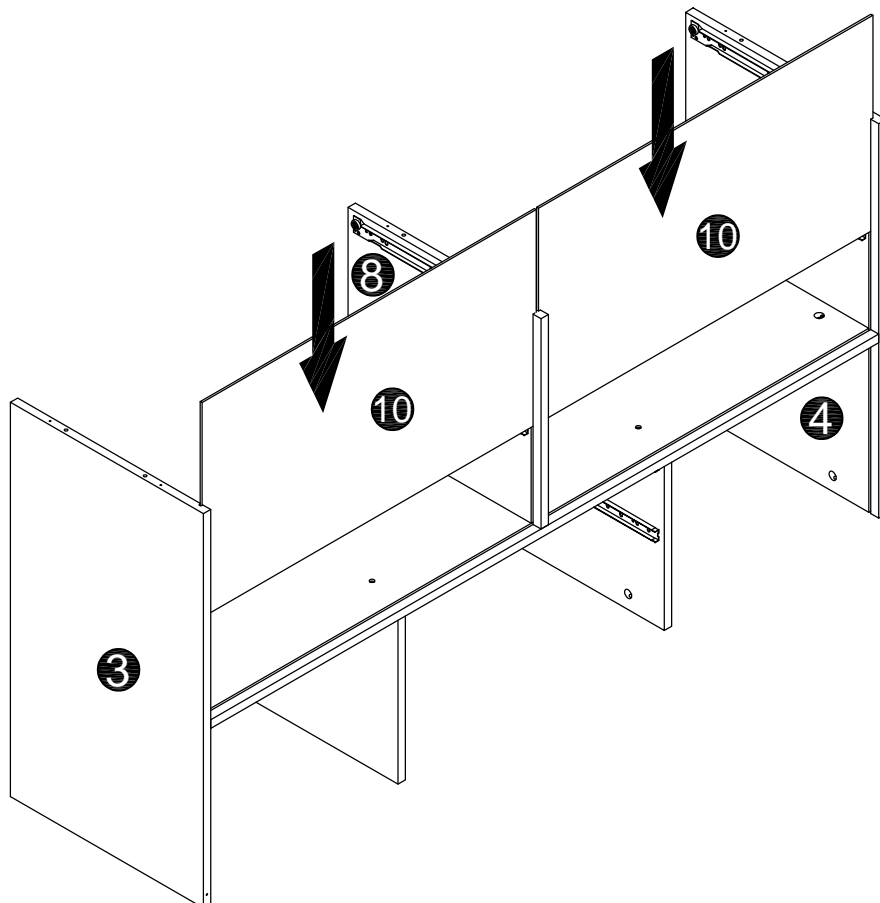
B	x2
	

G	x2
	


8

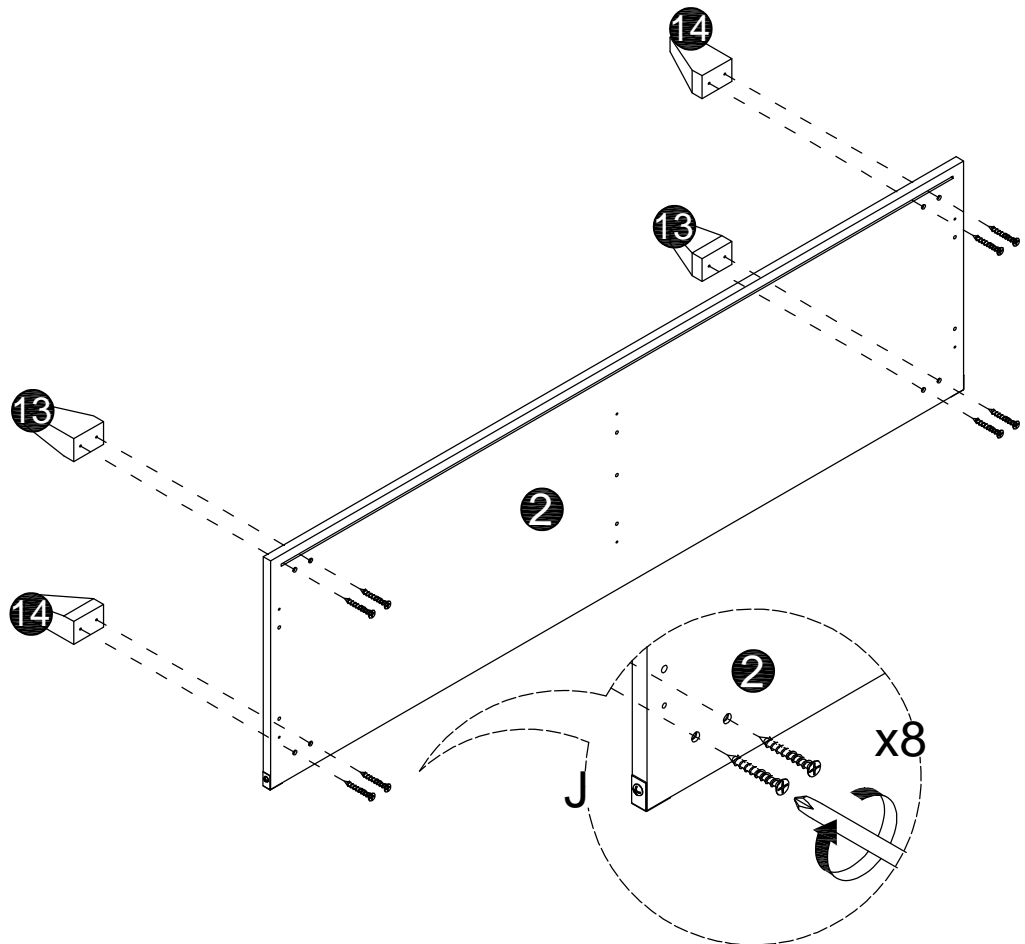


9

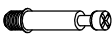


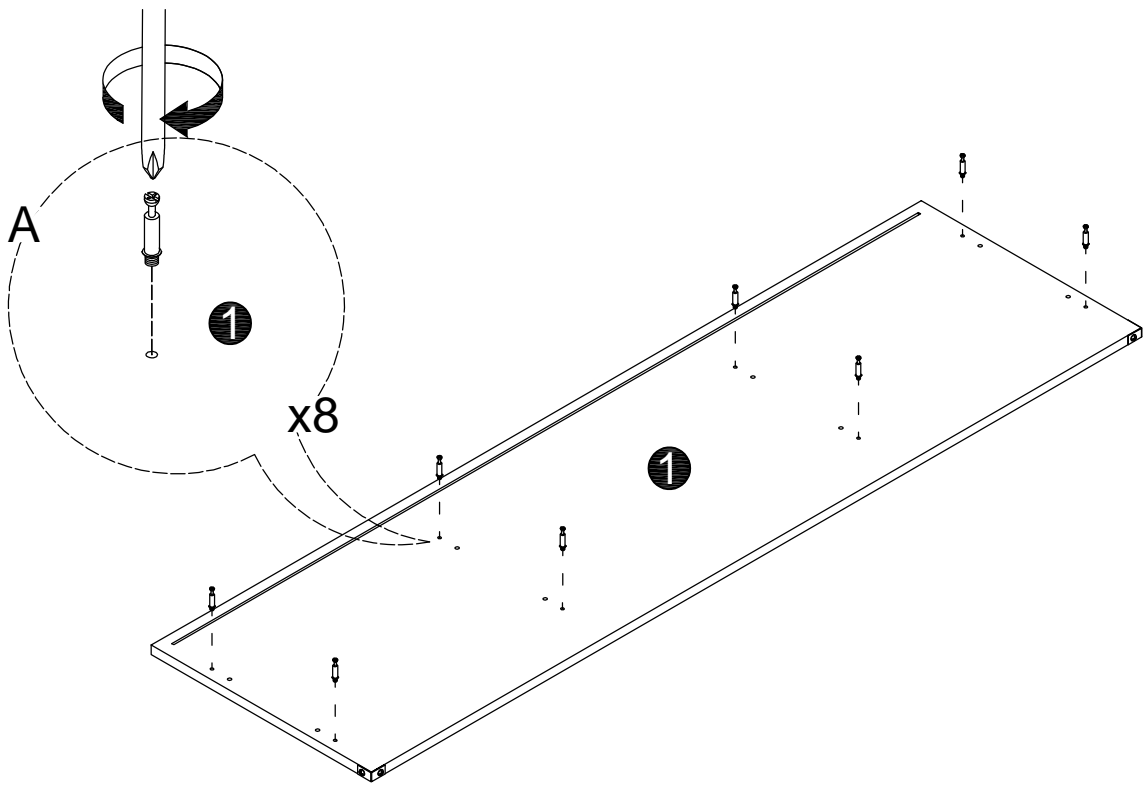
10



J	x8
	

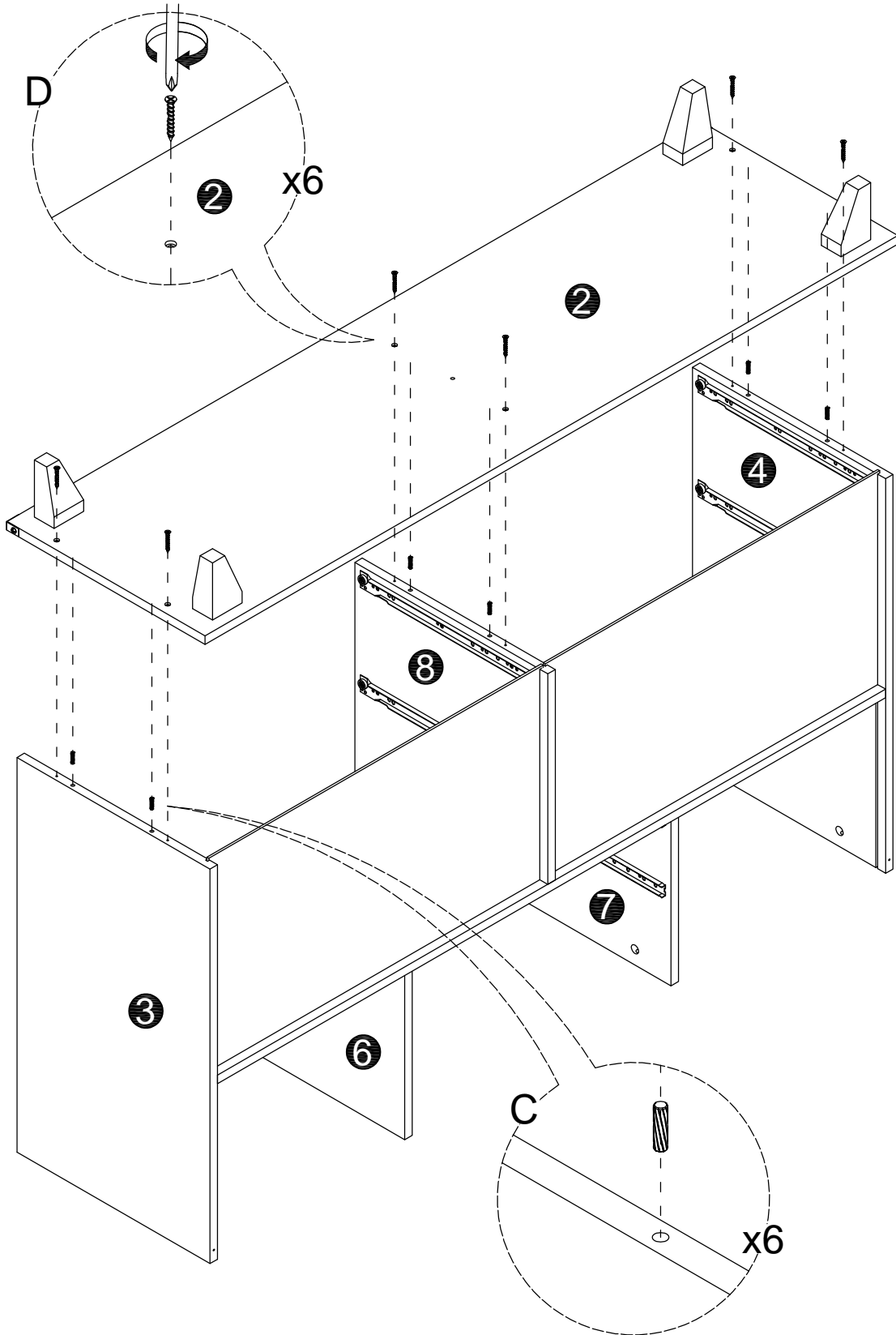


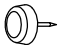
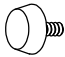
11

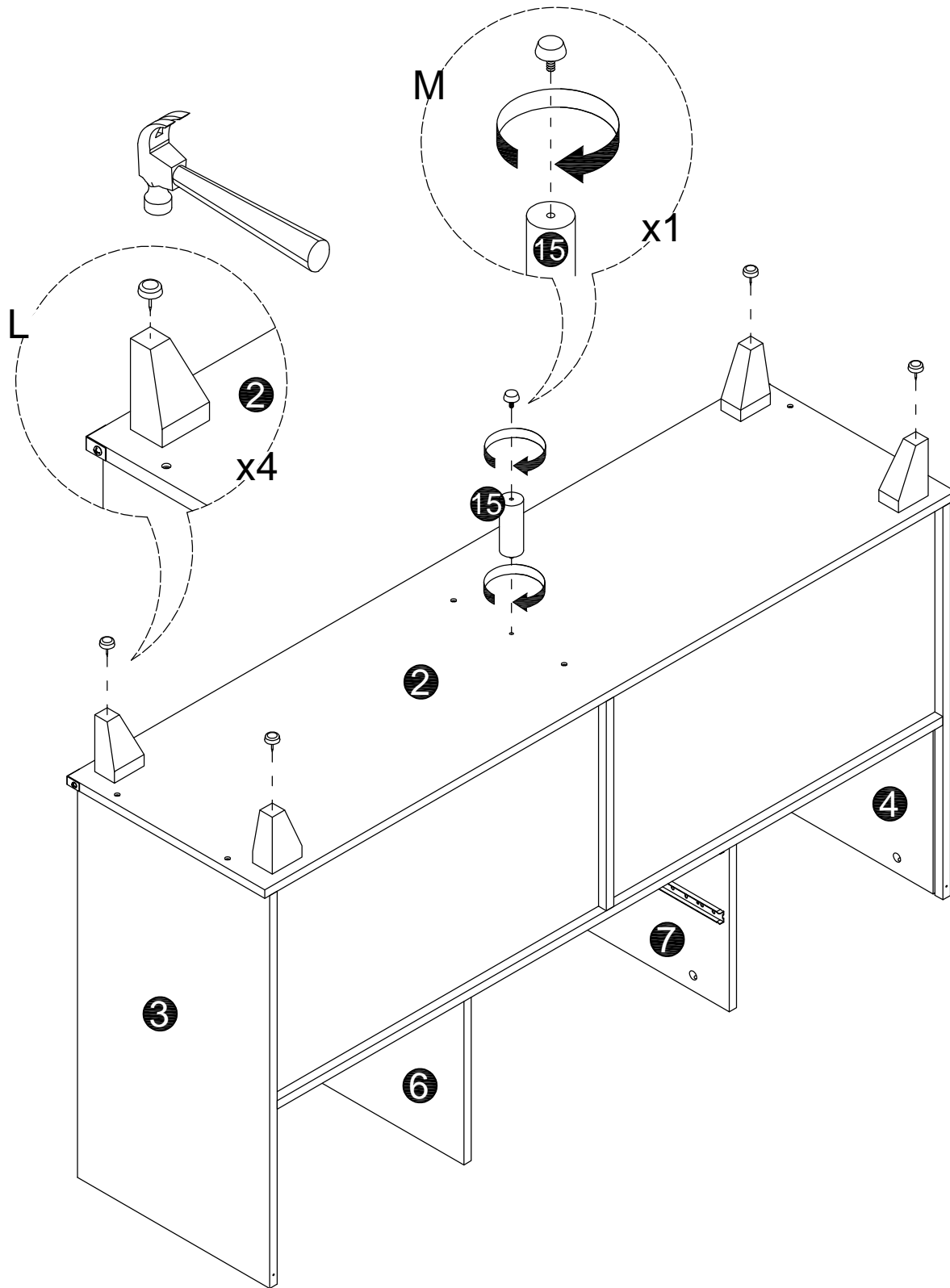
A	x8
	




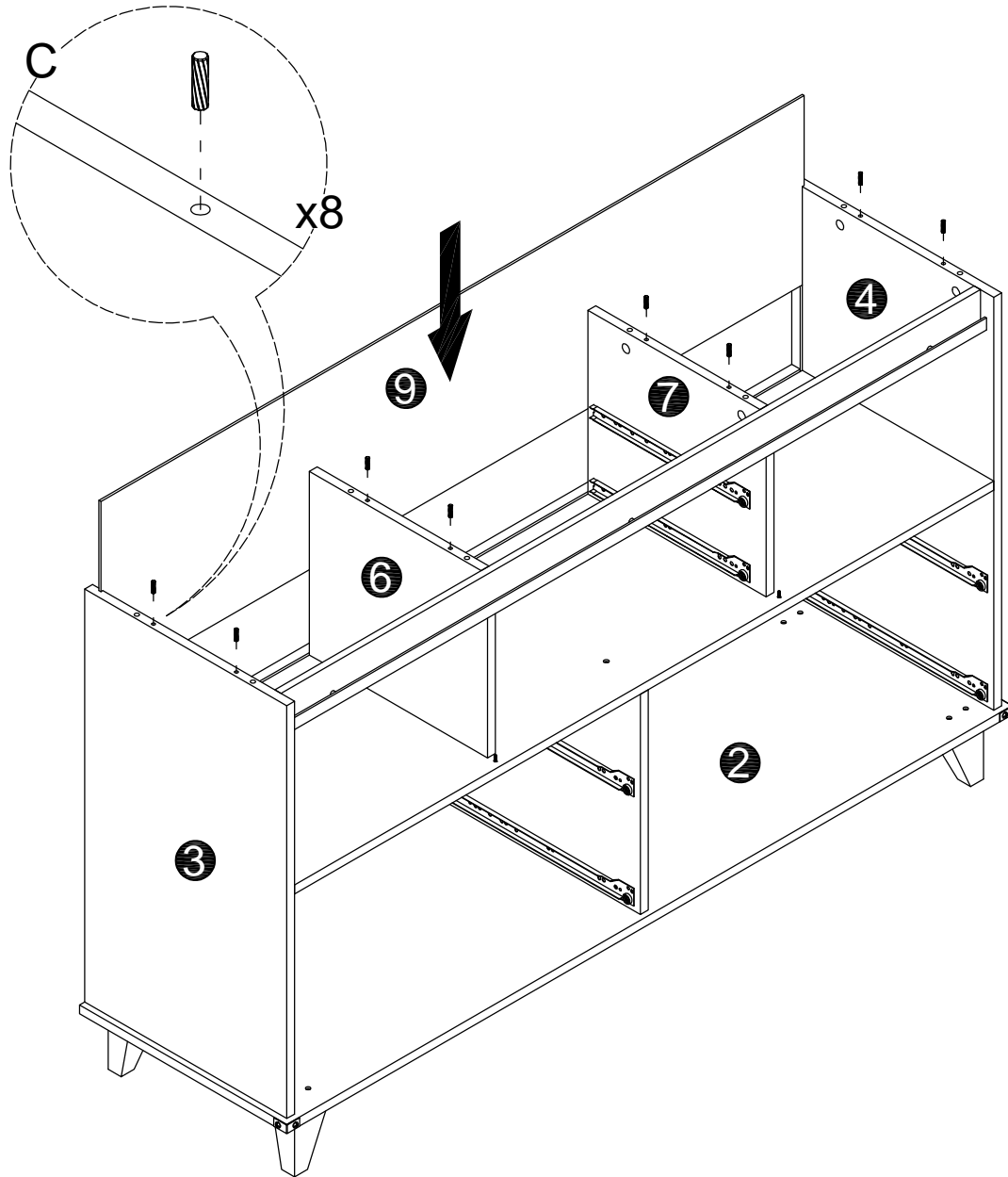
C	x6
	
D	x6
	




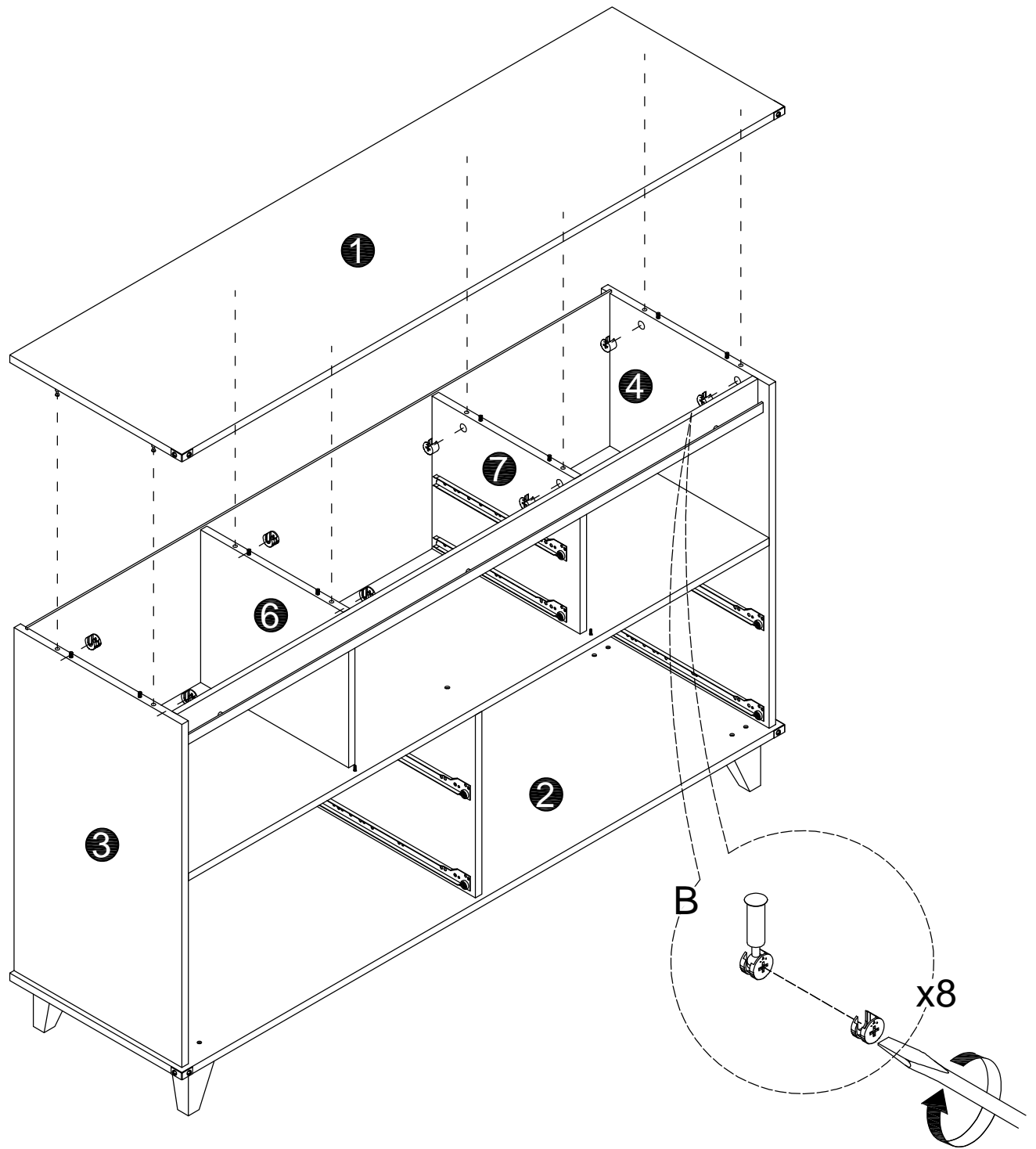
L	x4
	
M	x1
	



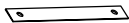
C	x8
	




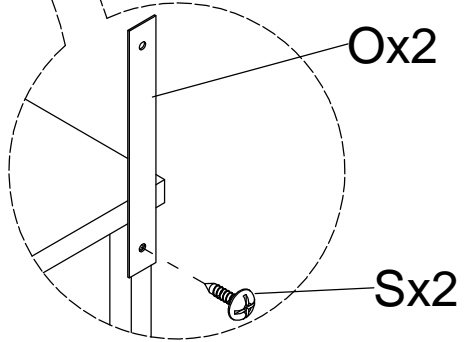
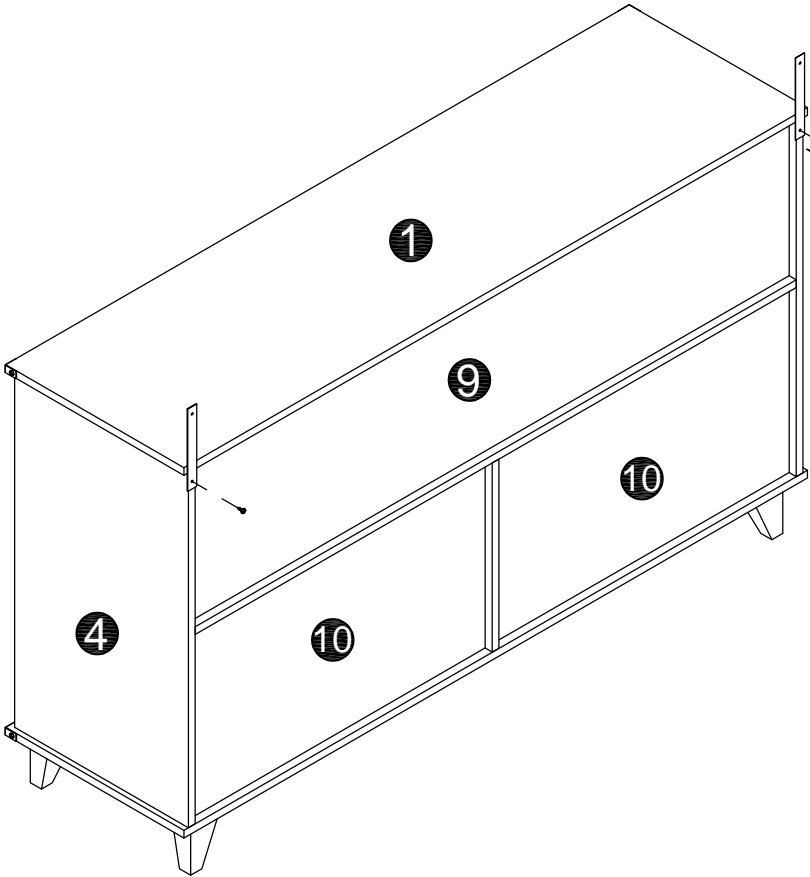
B	x8
	



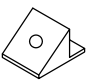
16


O	x2
	

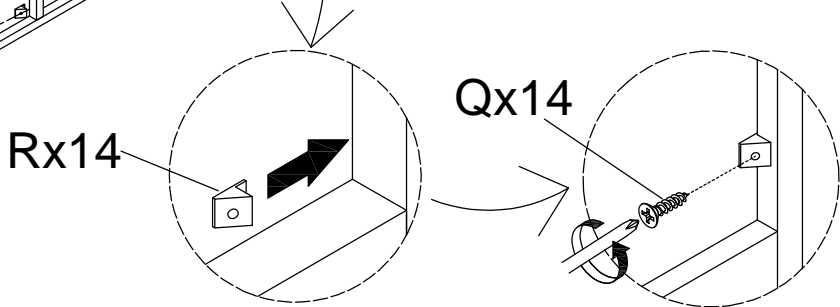
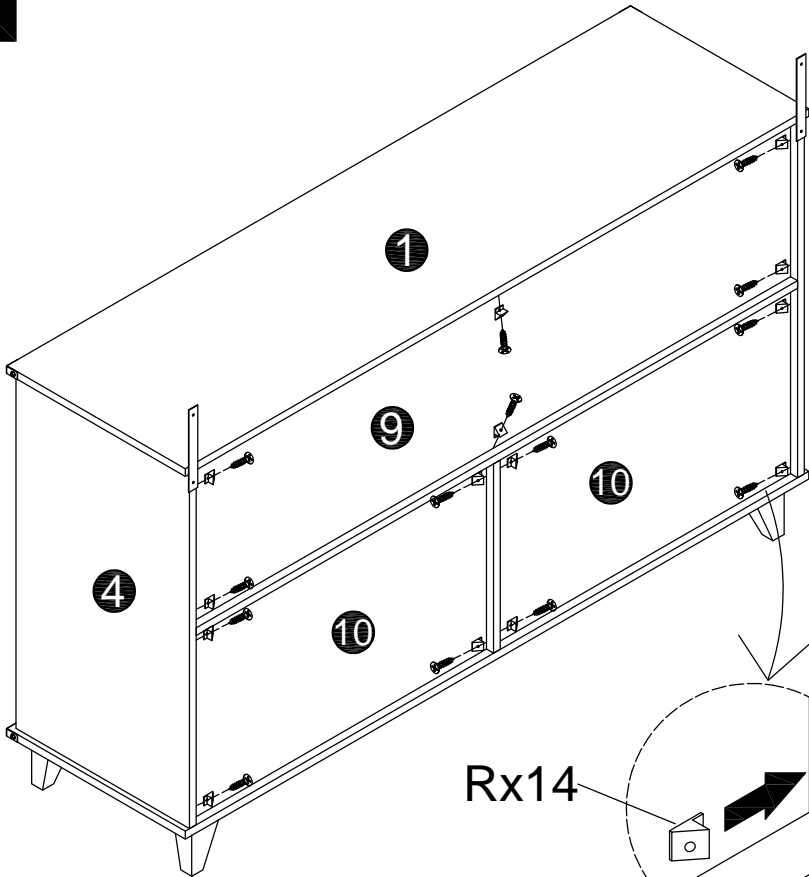
S	x2
	



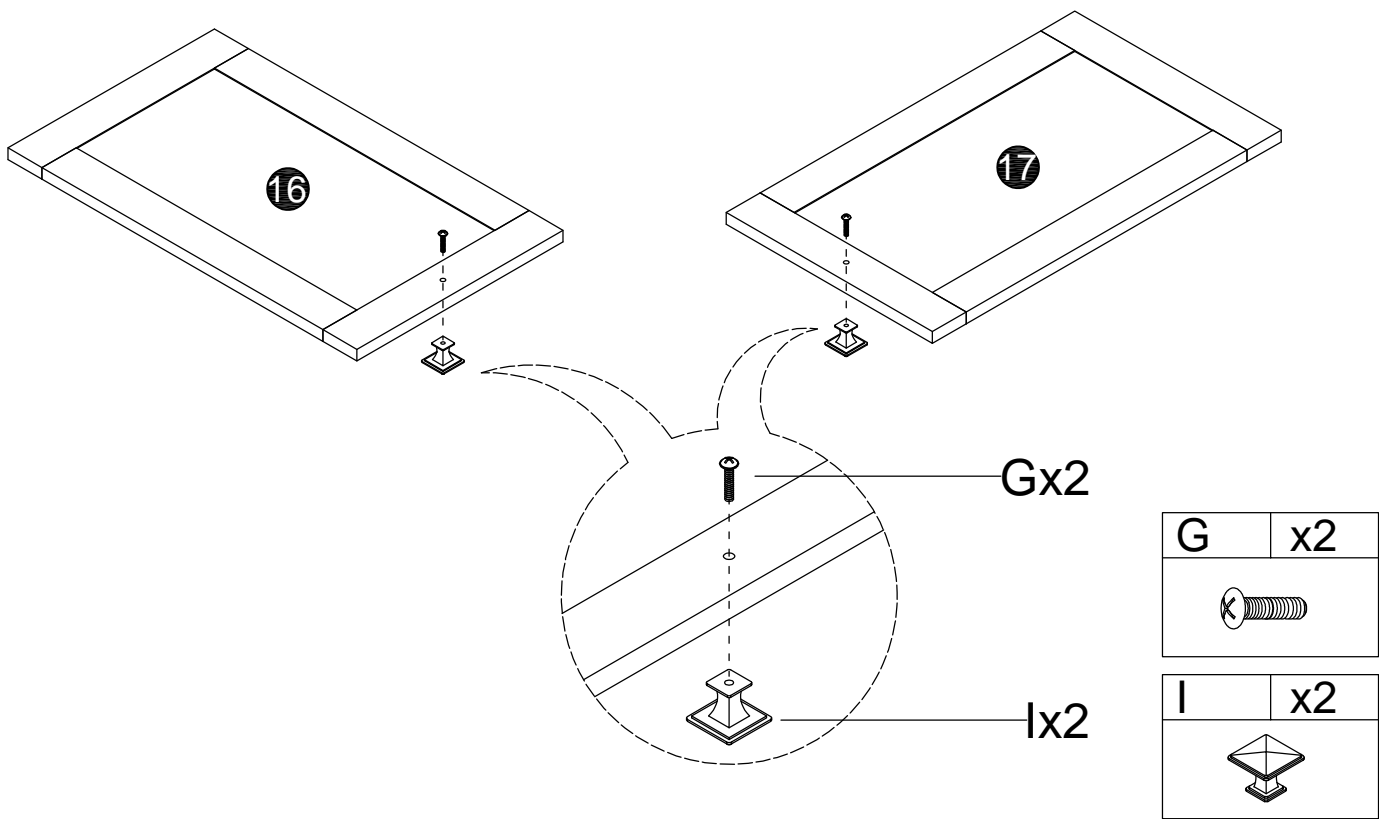
17

R	x14
	

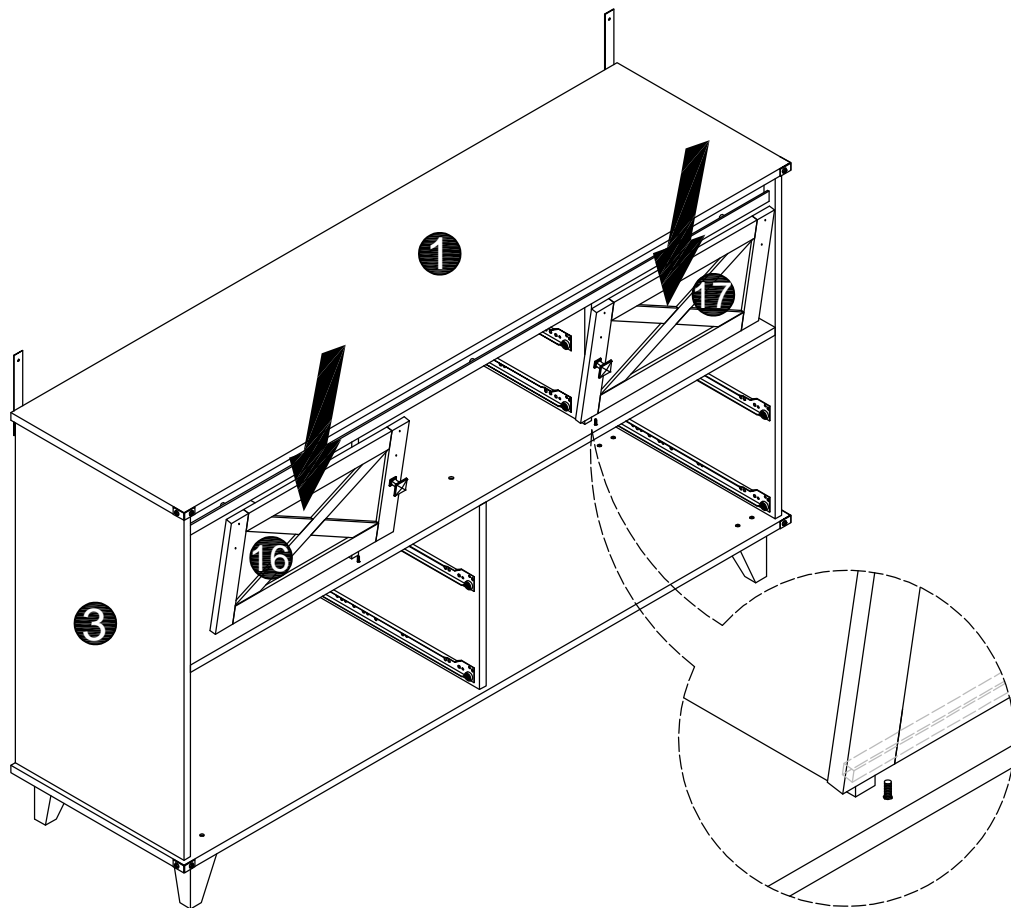
Q	x14
	





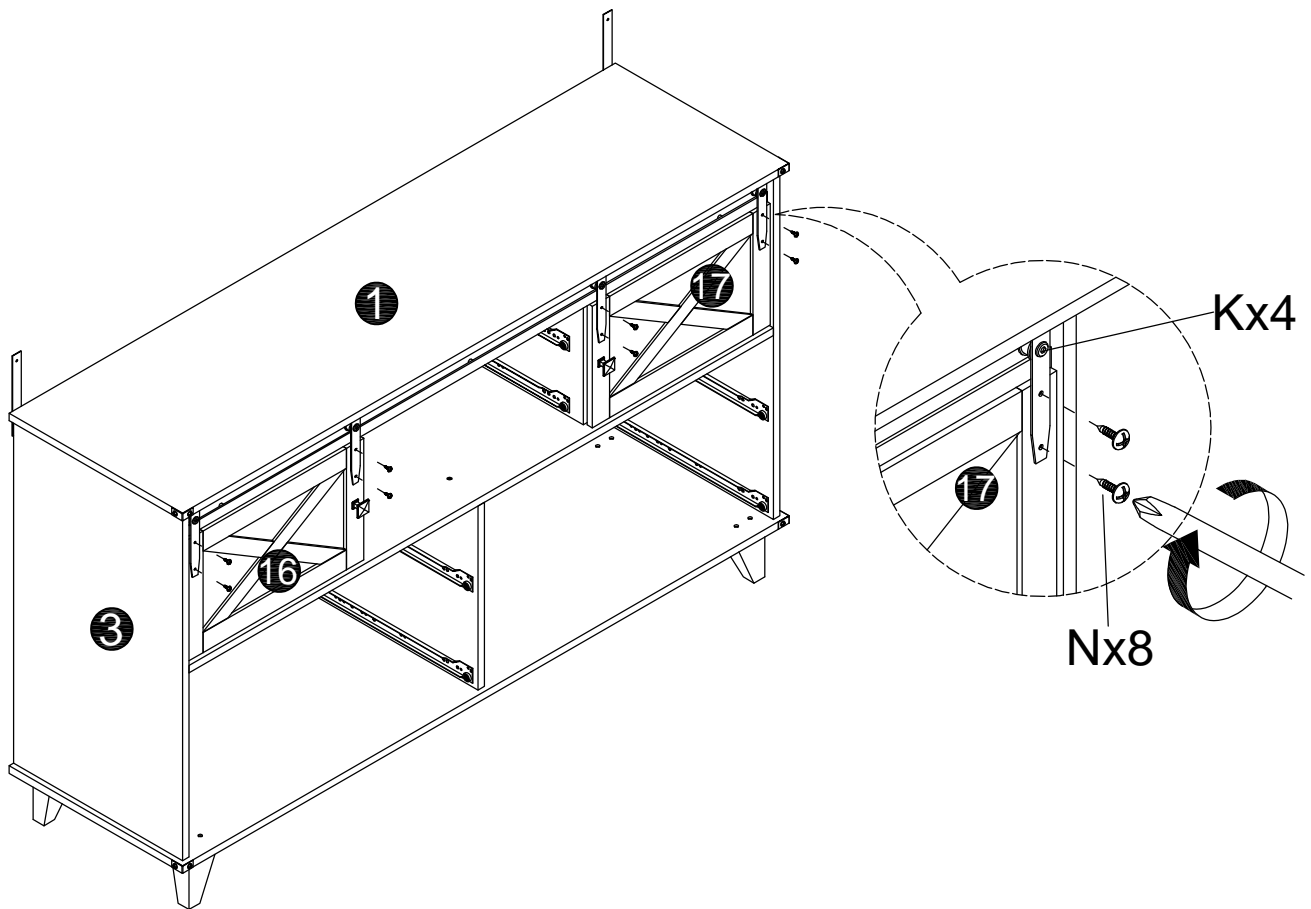
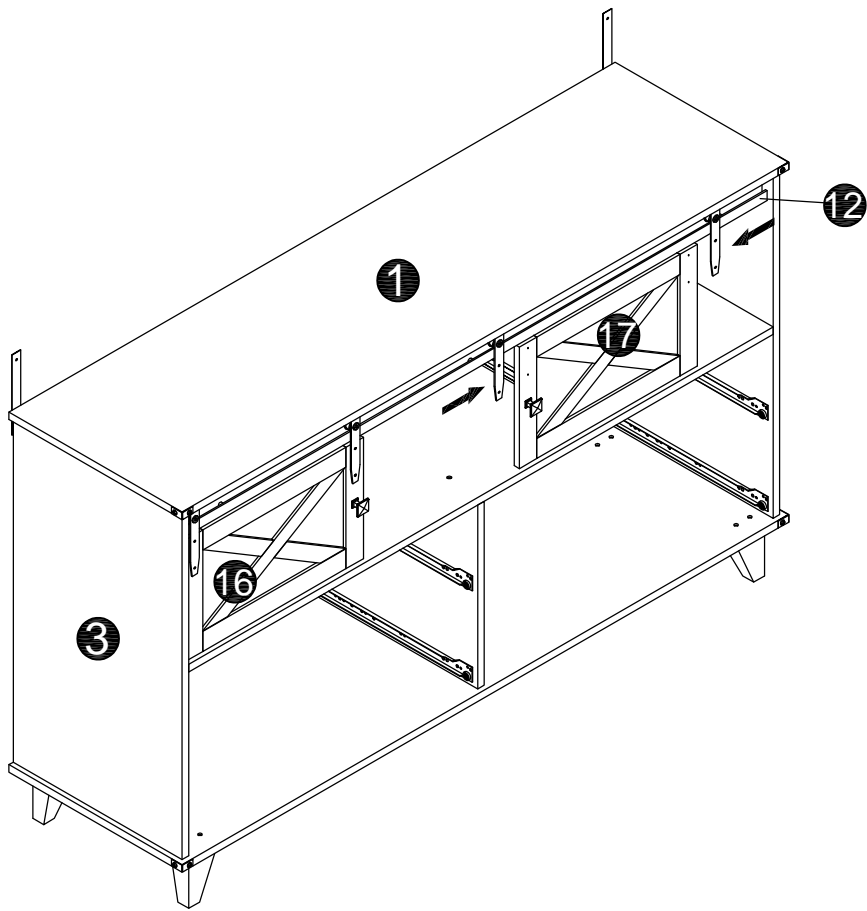
18



19



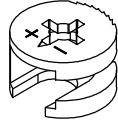
K	x4
	
N	x8
	



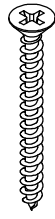
# Drawer



**A**  
x30



**B**  
x30



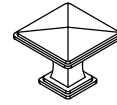
**D**  
x30



**E**  
x36



**H**  
x6



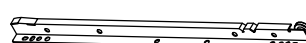
**I**  
x6



**DL-1** x2



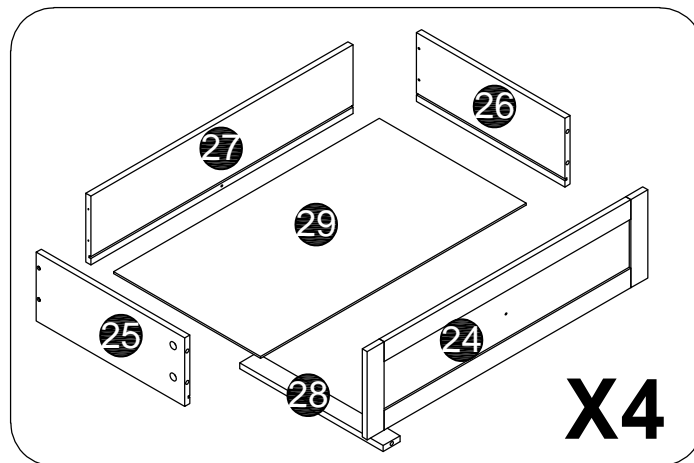
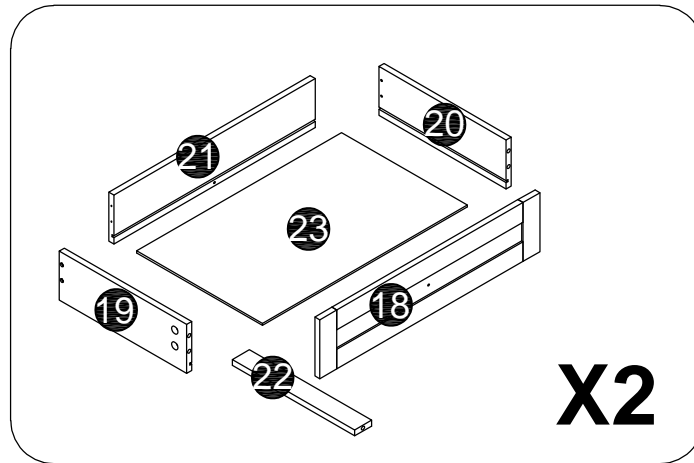
**DR-1** x2




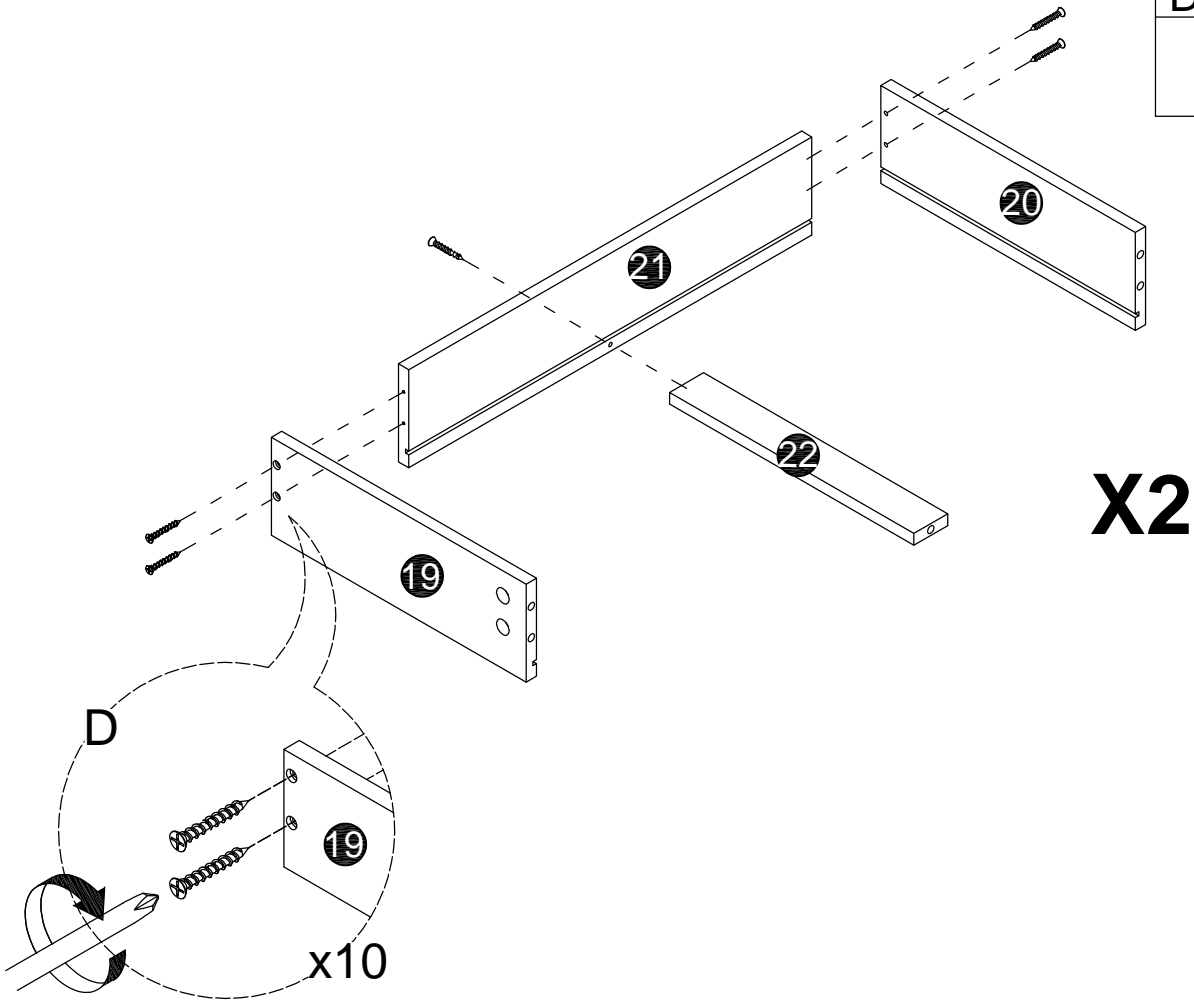
**DL-2** x4



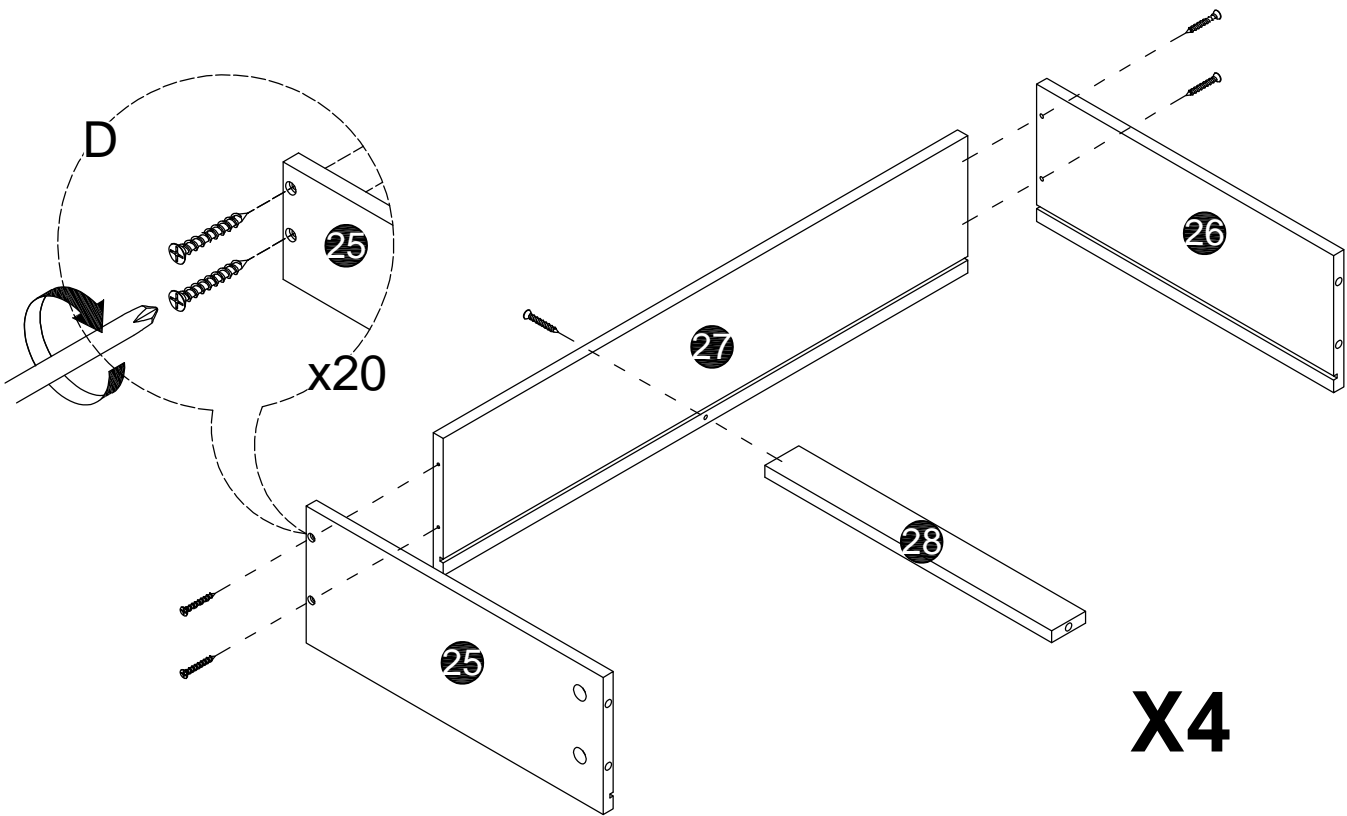
**DR-2** x4



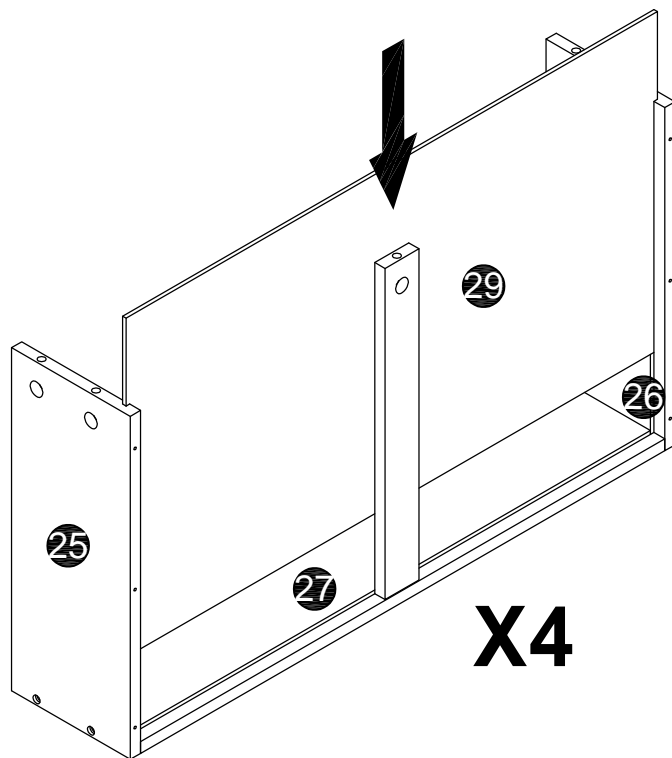
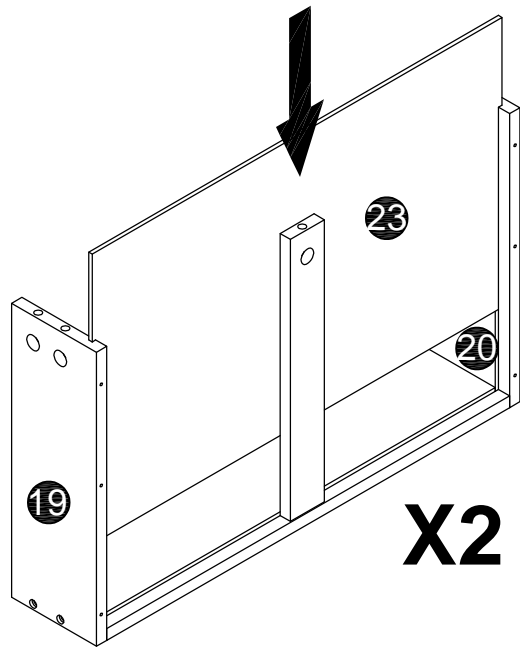
D	x30
	

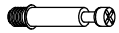
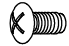
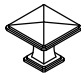


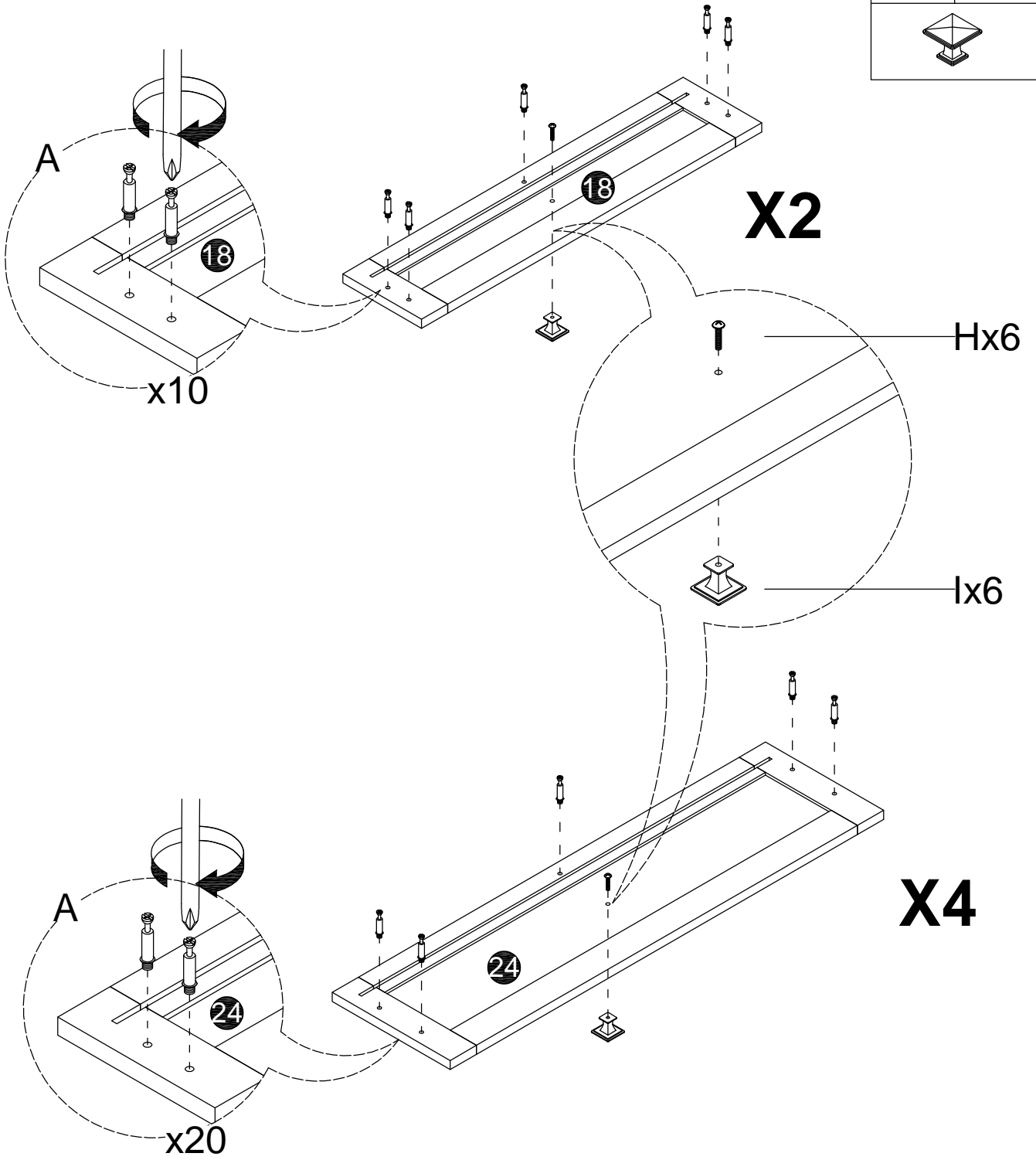
**X2**



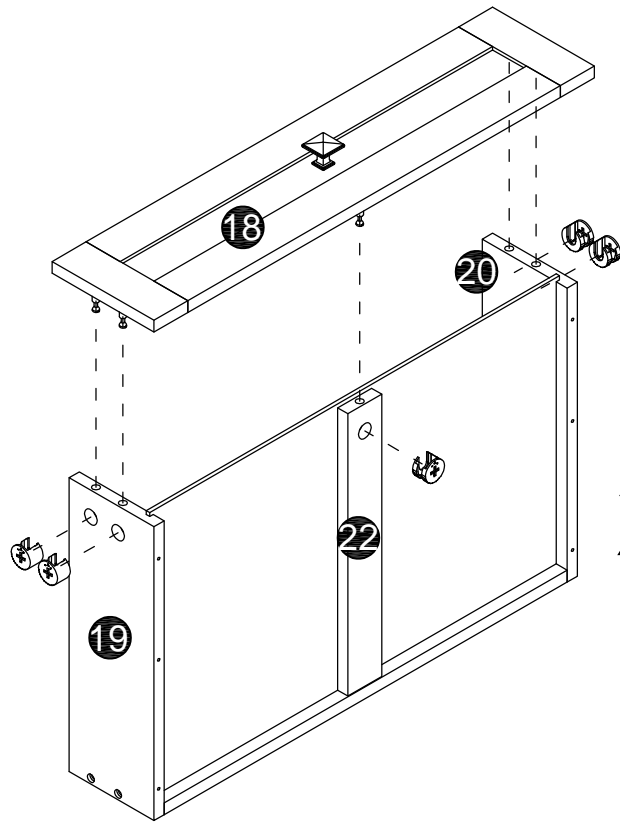
**X4**



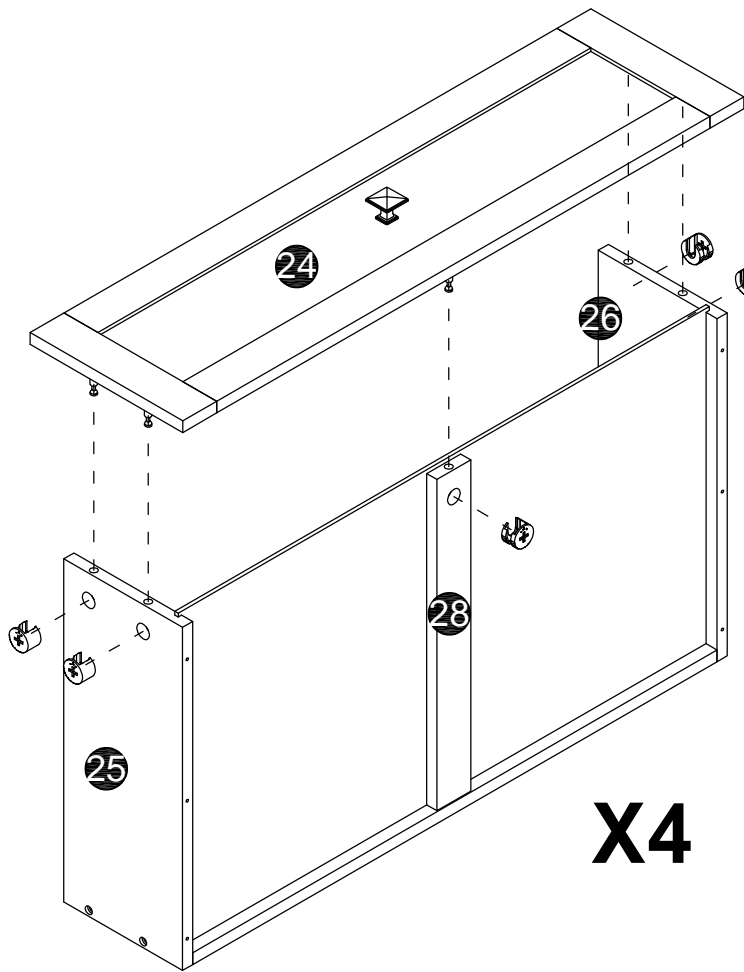
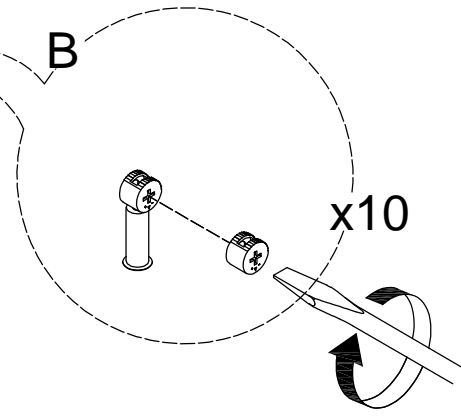
A	x30
	
H	x6
	
I	x6
	



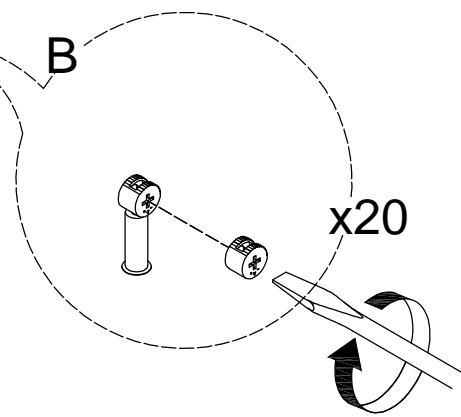
B	x30

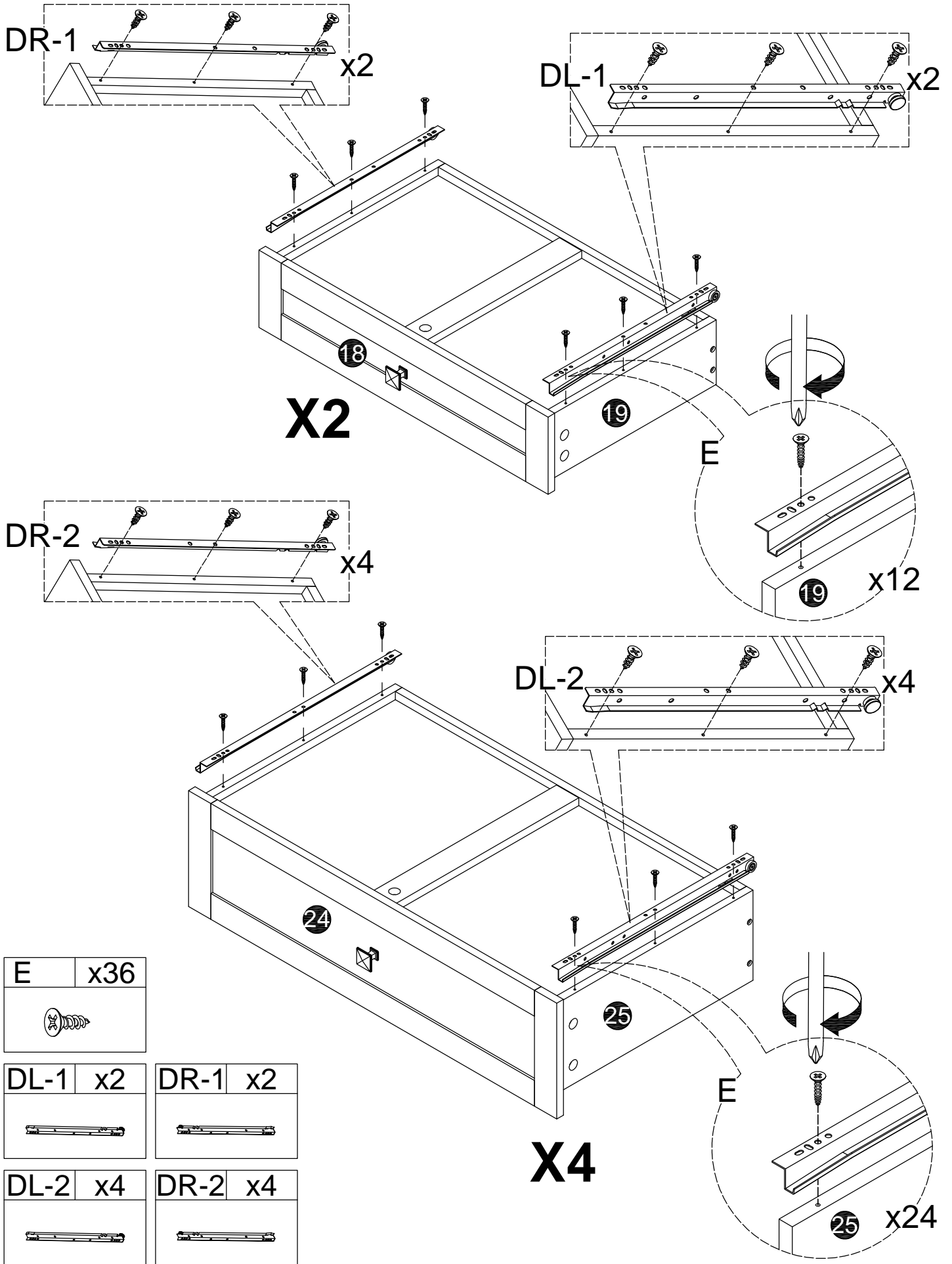



**X2**




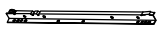
**X4**







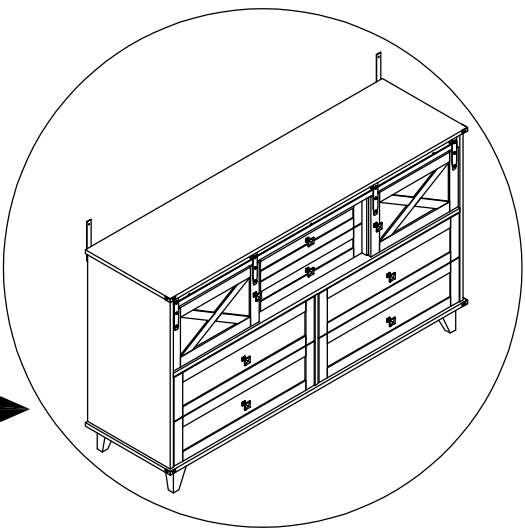
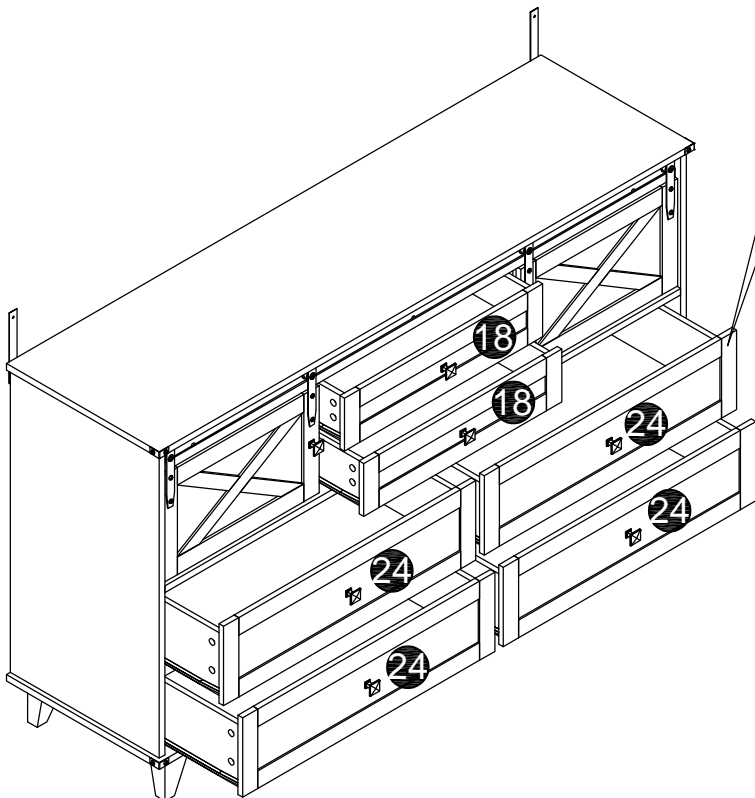
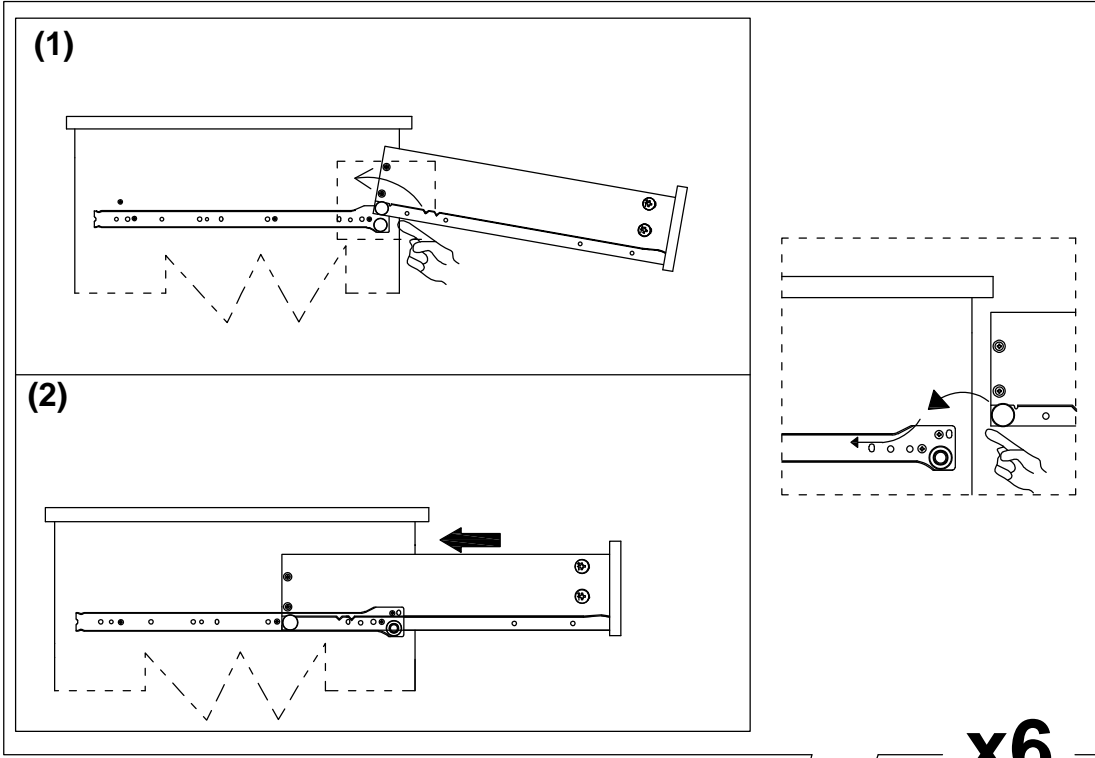
E	x36
	

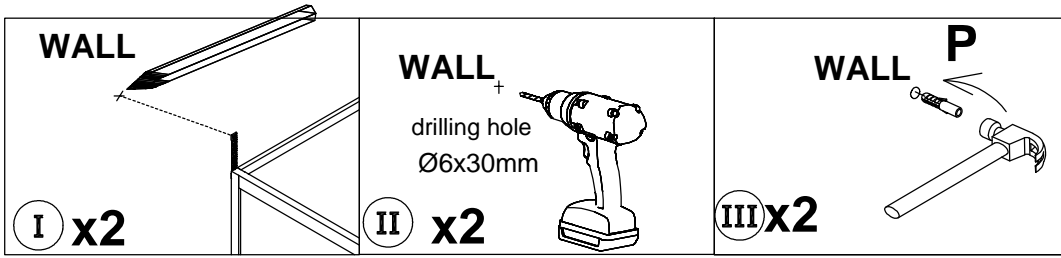
DL-1	x2
	

DR-1	x2
	

DL-2	x4
	

DR-2	x4
	





D	x2

P	x2

