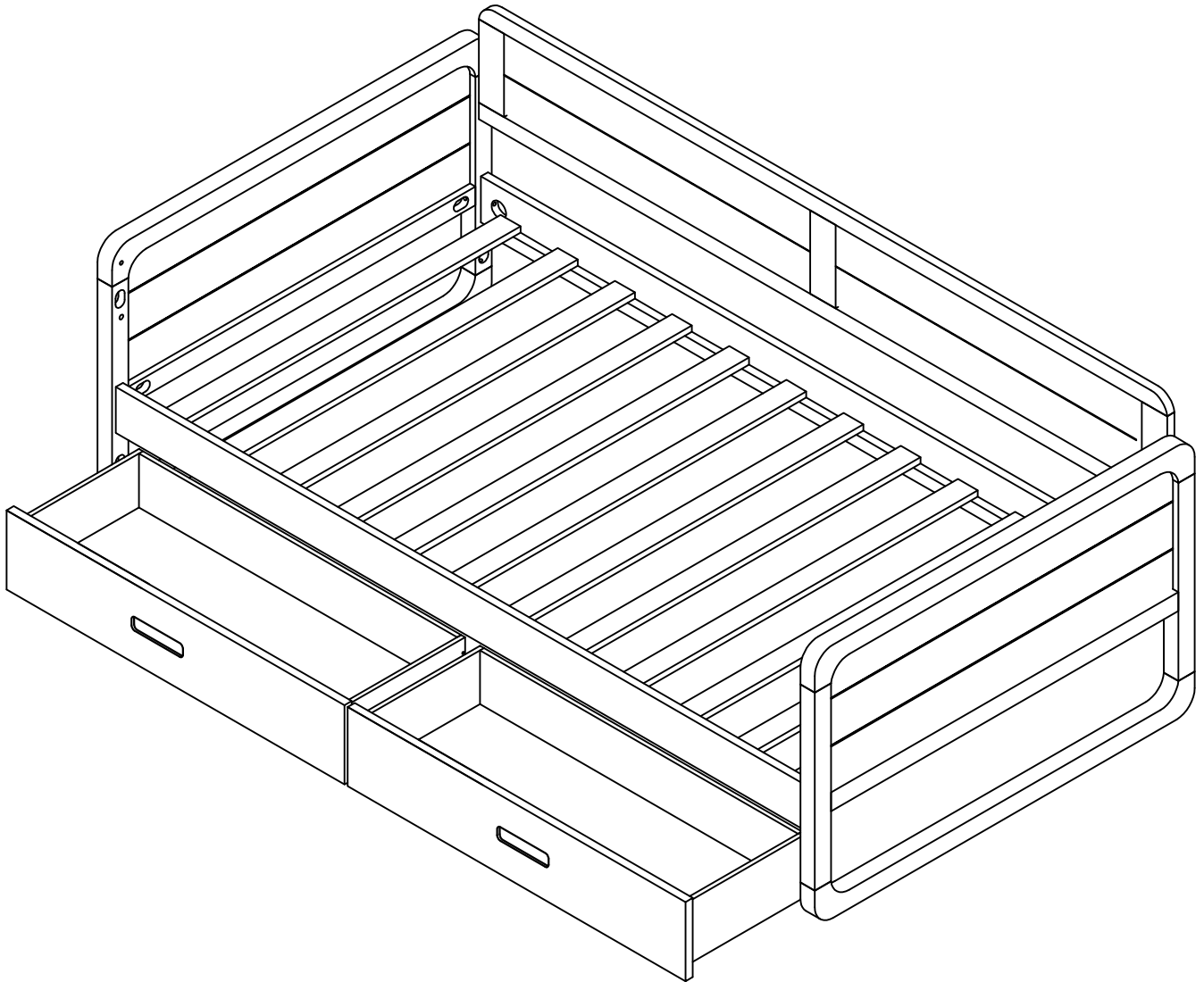
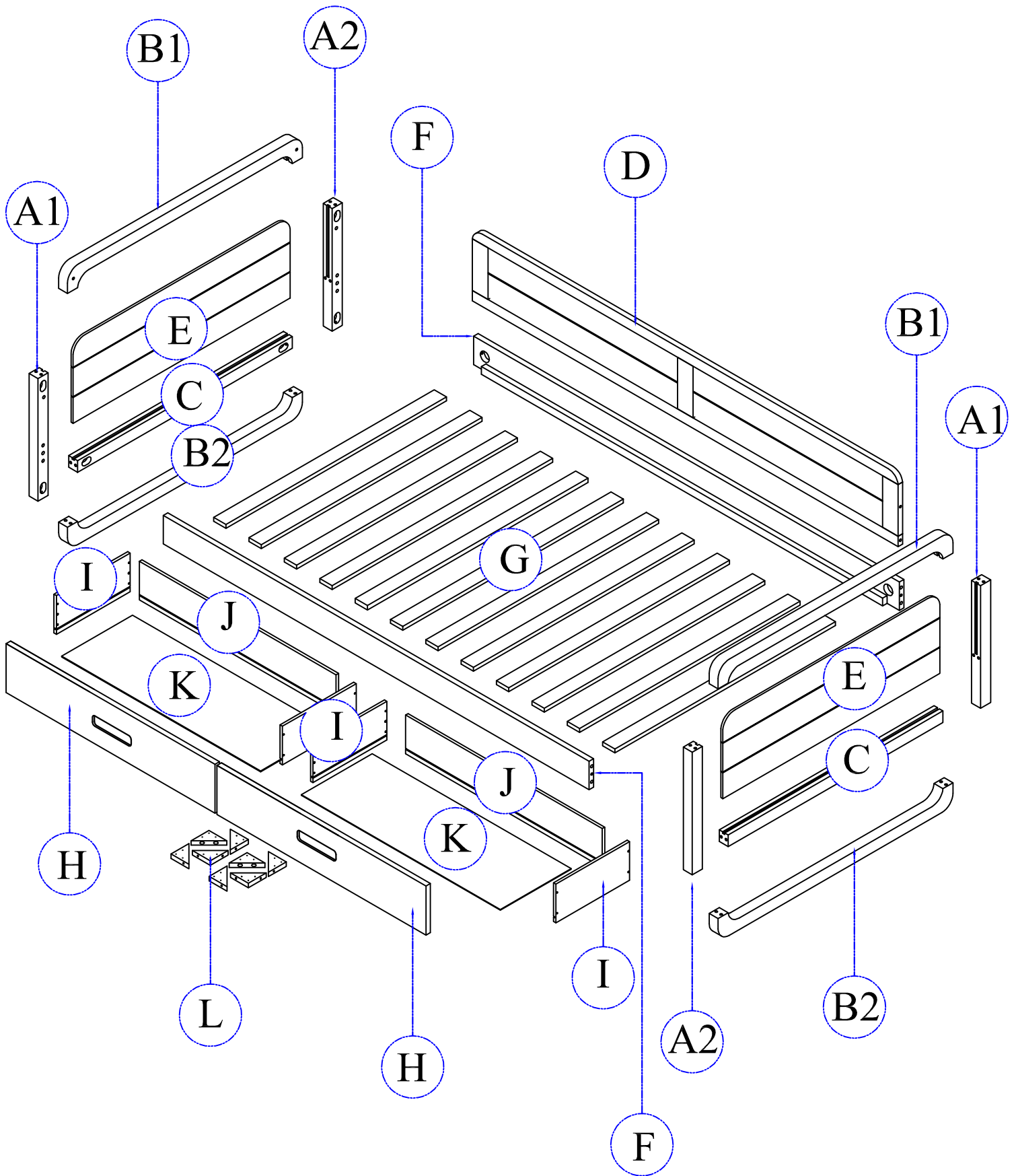


Assembly Instructions

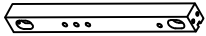

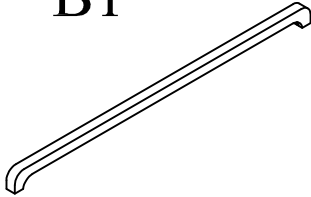
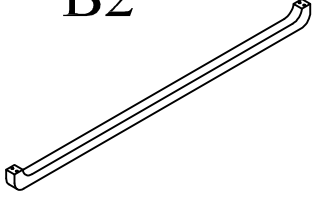
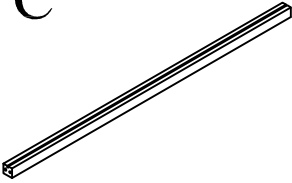
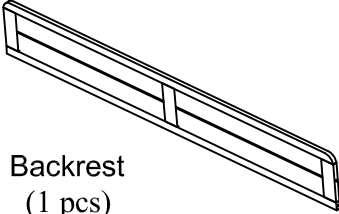
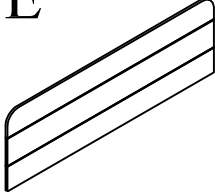
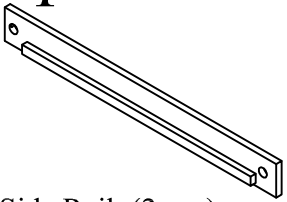
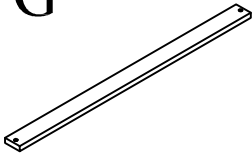
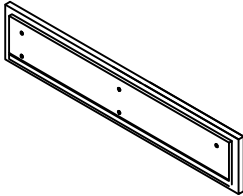
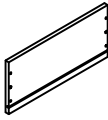
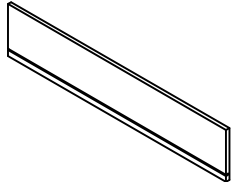
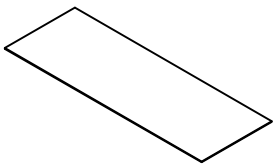
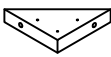
ITEM CODE: WF530452



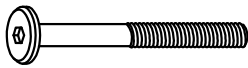








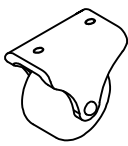
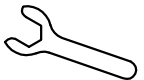


DETAIL VIEW

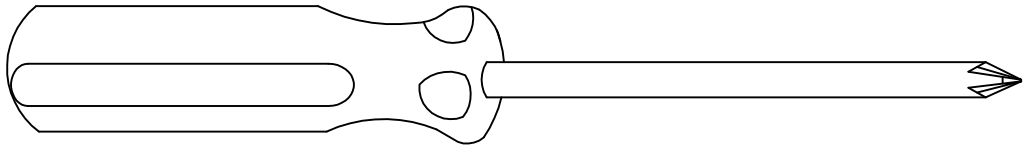


BOX : WF530452

<p>A1</p>  <p>Post (2 pc)</p>	<p>A2</p>  <p>Post (2 pc)</p>	<p>B1</p>  <p>Top slat (2 pcs)</p>	<p>B2</p>  <p>Bottom slat (2 pcs)</p>
<p>C</p>  <p>Middle slat (2 pcs)</p>	<p>D</p>  <p>Backrest (1 pcs)</p>	<p>E</p>  <p>Panel (2 pcs)</p>	<p>F</p>  <p>Side Rail (2 pcs)</p>
<p>G</p>  <p>Slat (12 pcs)</p>	<p>H</p>  <p>Drawer Front side (2 pcs)</p>	<p>I</p>  <p>drawer side left/right (4 pcs)</p>	<p>J</p>  <p>Drawer Back side (2 pcs)</p>
<p>K</p>  <p>Bottom panel (2 pcs)</p>	<p>L</p>  <p>wooden Triangle= (8 pcs)</p>		

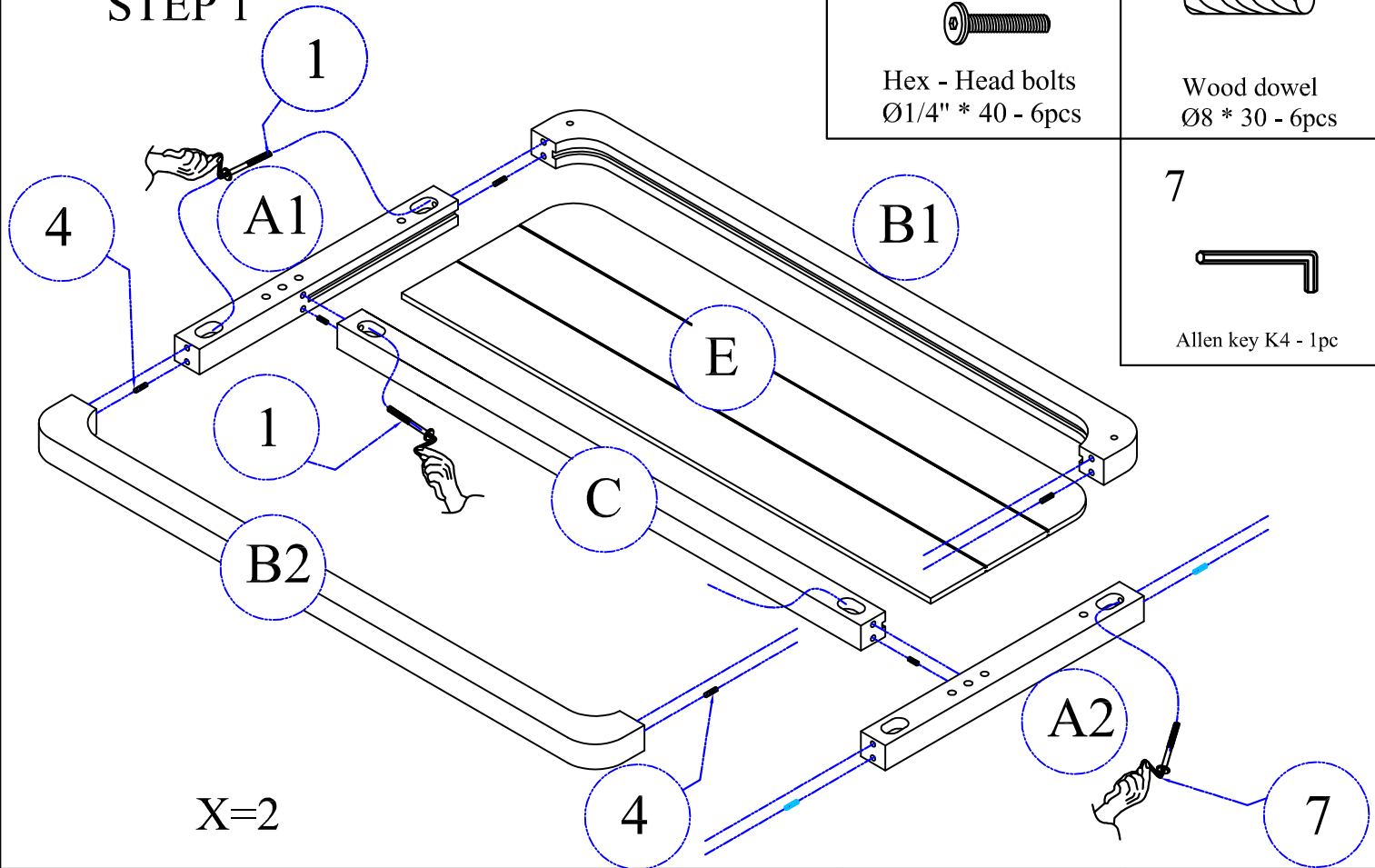
HARDWARE LIST : WF530452

<p>1</p>  <p>Hex - Head bolts Ø1/4" * 40 - 14pcs</p>	<p>2</p>  <p>Wood crews M4 * 30 - 16pcs</p>	<p>3</p>  <p>connecting rod -4 pcs</p>	<p>4</p>  <p>Wood dowel Ø8 * 30 - 12pcs</p>
<p>5</p>  <p>Wood dowel Ø10 * 40 - 10pcs</p>	<p>6</p>  <p>Hexanon nut =4 pcs</p>	<p>7</p>  <p>Allen key M4*100 - 1pc</p>	<p>8</p>  <p>Wood crews M3.5 * 15 - 16pcs</p>
<p>9</p>  <p>Wood crews M4 * 30 - 40pcs</p>	<p>10</p>  <p>Wheel= 8 pcs</p>	<p>11</p>  <p>Wrench Metal =1 pc</p>	<p>12</p>  <p>Stud bolt Ø5/16" * 75 - 4pcs</p>
<p>13</p>  <p>Wood dowel Ø6 * 30 - 8pcs</p>			

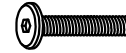


Assembly Tools Required (Not Included)

STEP 1

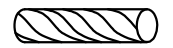


1



Hex - Head bolts
Ø1/4" * 40 - 6pcs

4



Wood dowel
Ø8 * 30 - 6pcs

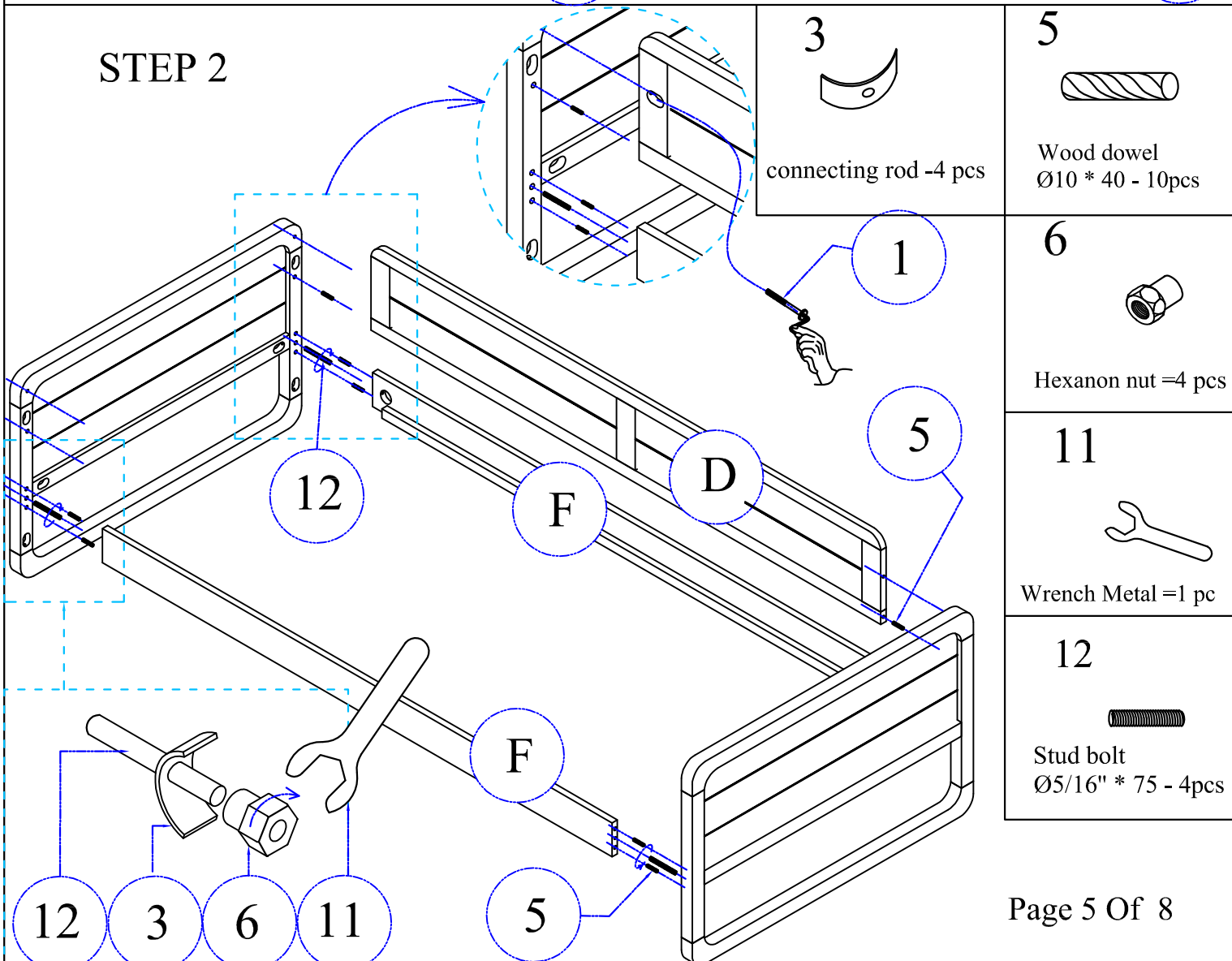
7



Allen key K4 - 1pc

X=2

STEP 2

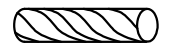


3



connecting rod -4 pcs

5



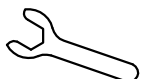
Wood dowel
Ø10 * 40 - 10pcs

6



Hexanion nut =4 pcs

11



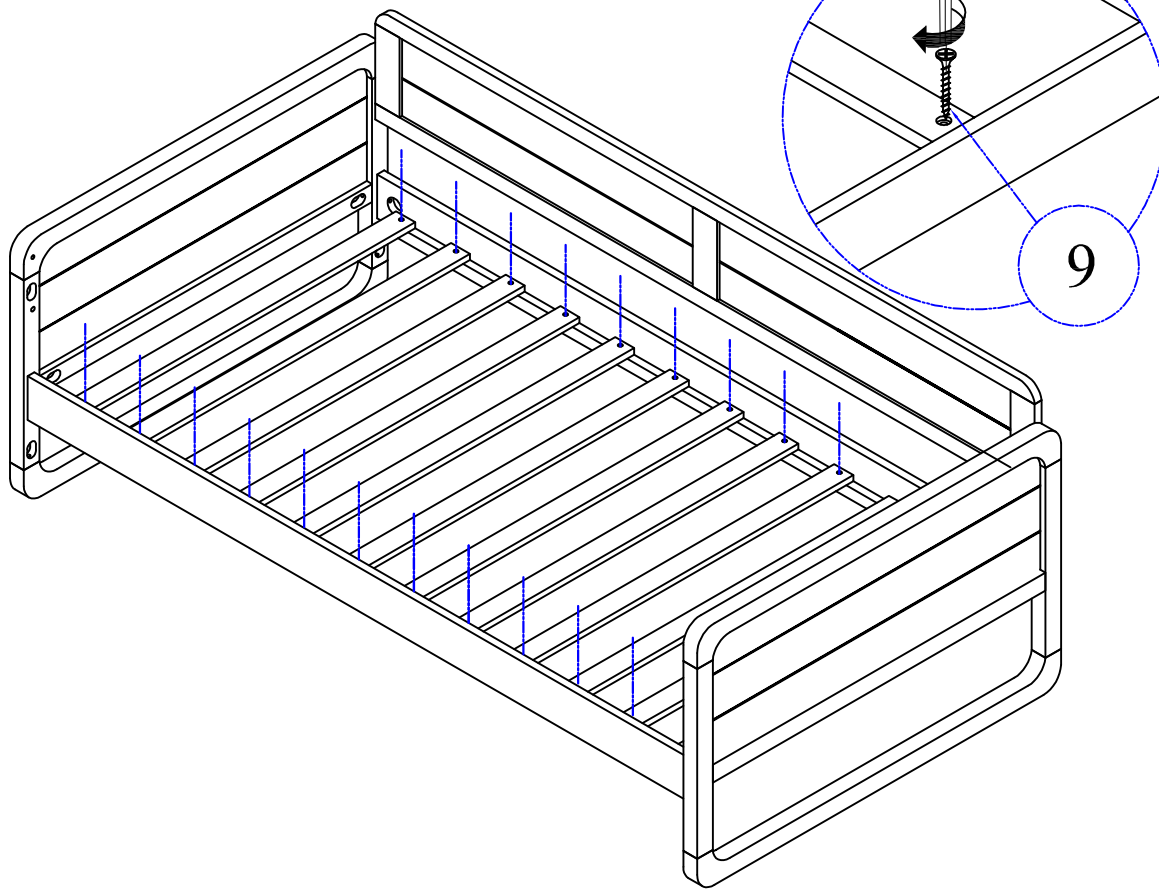
Wrench Metal =1 pc

12



Stud bolt
Ø5/16" * 75 - 4pcs

STEP 3



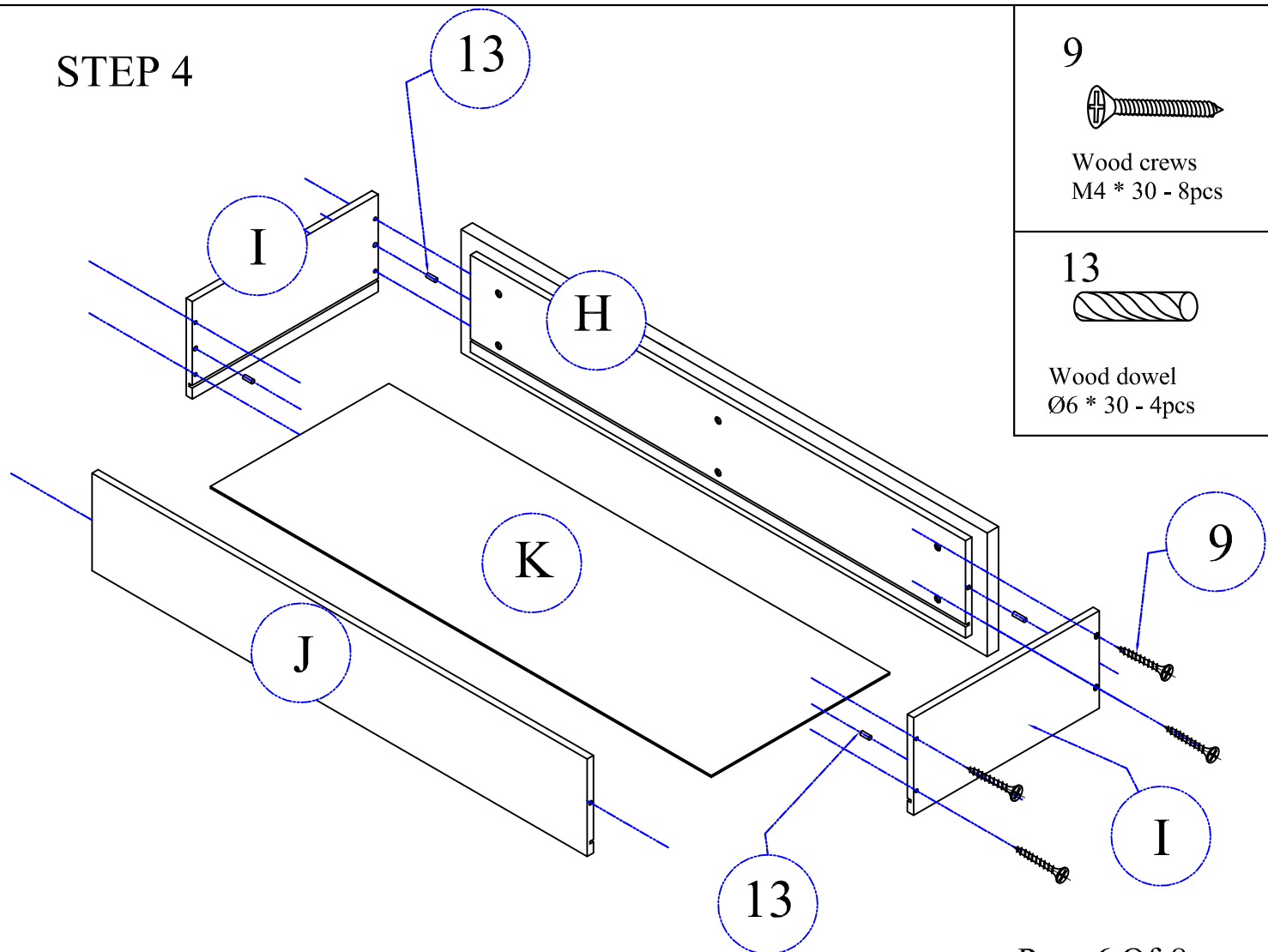
9



Wood crews
M4 * 30 - 24pcs

9

STEP 4



9



Wood crews
M4 * 30 - 8pcs

13



Wood dowel
Ø6 * 30 - 4pcs

9

I

13

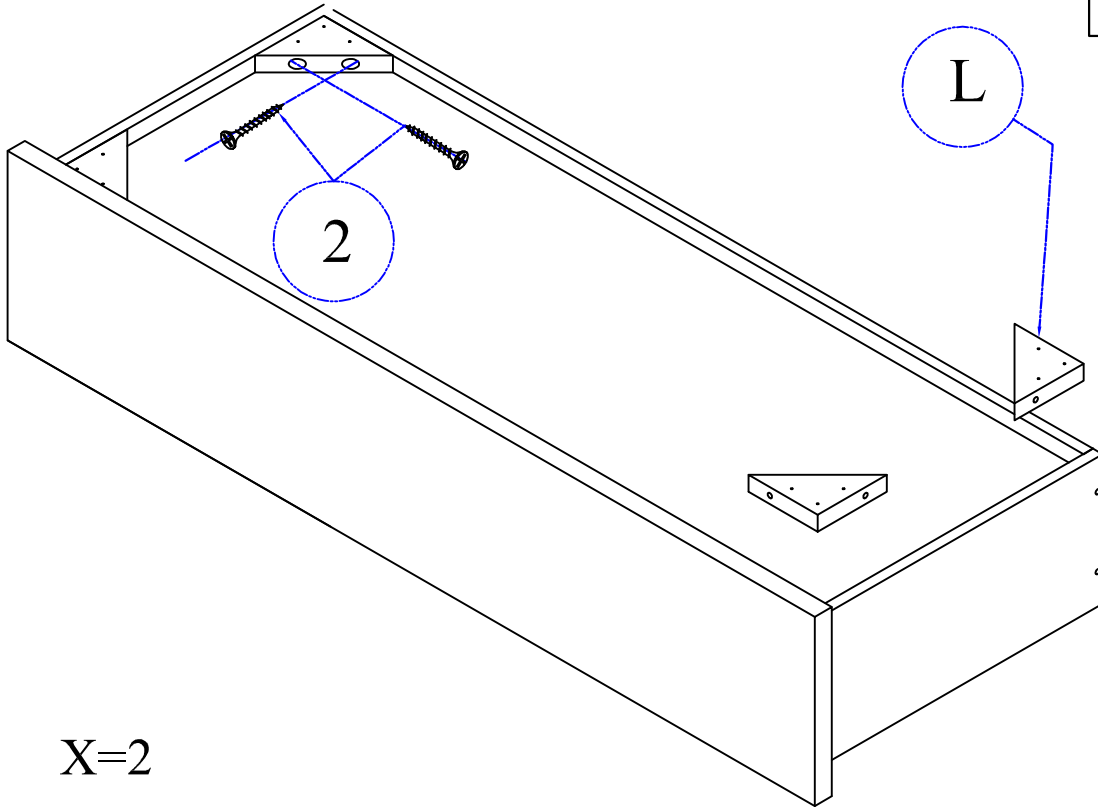
X=2

STEP 5

2



Wood crews
M4 * 30 - 8pcs



X=2

STEP 6

10

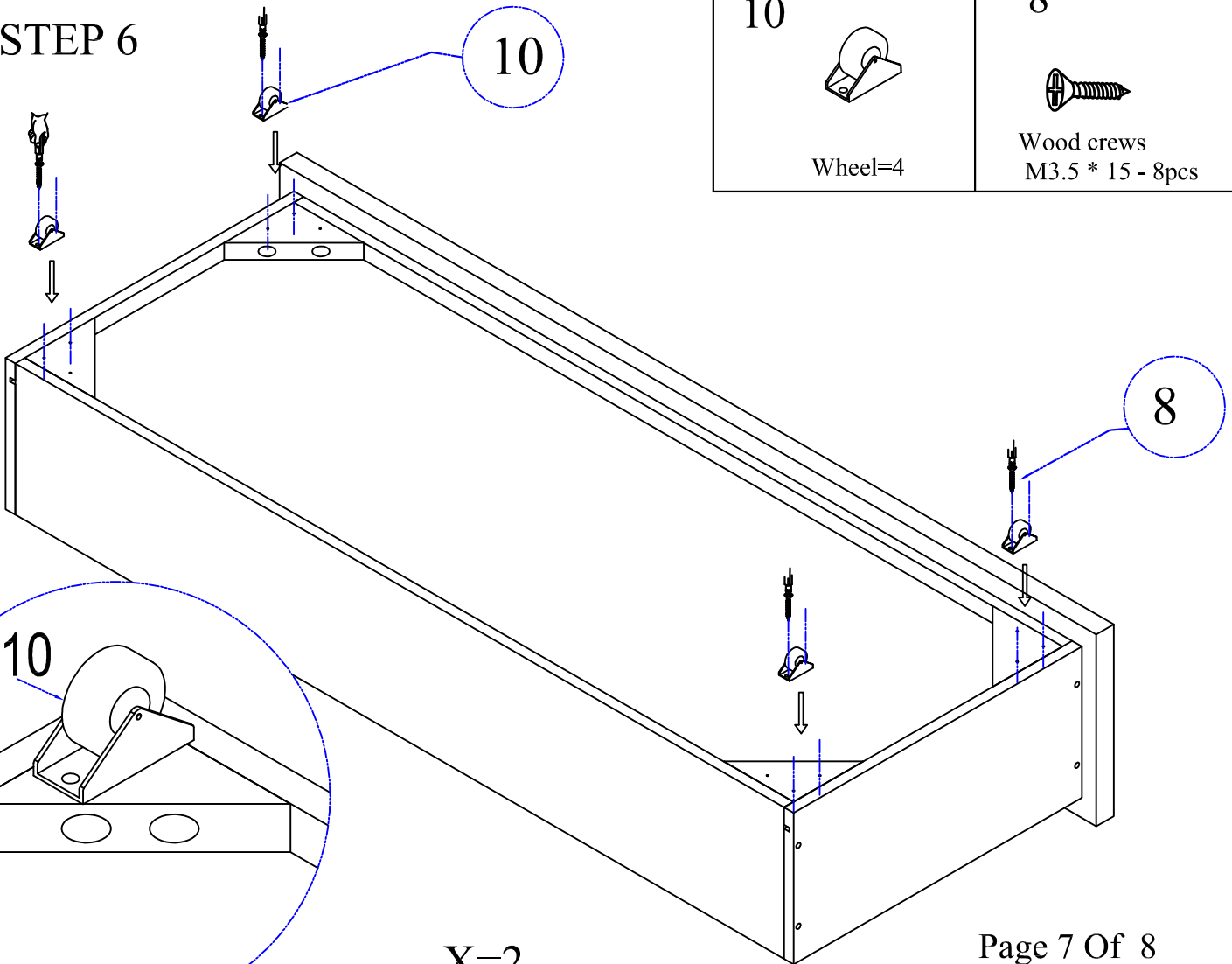


Wheel=4

8

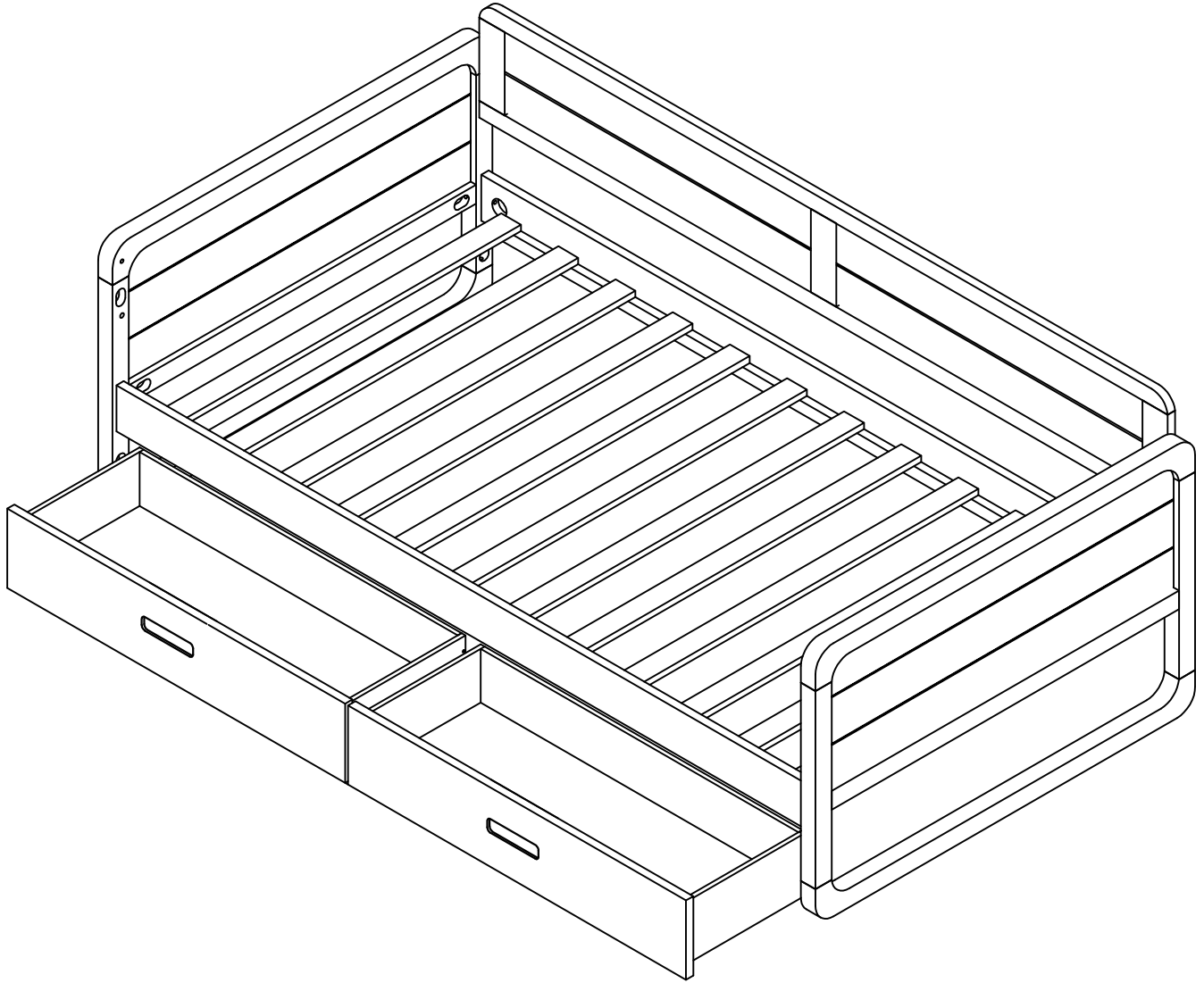


Wood crews
M3.5 * 15 - 8pcs



X=2

STEP 7



COMPLETED