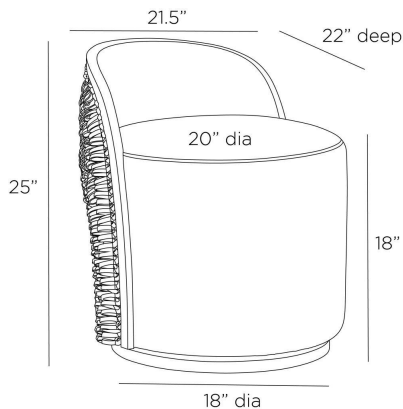


ARTERIOS

GRETEL CHAIR



FRI25

H: 25 IN, W: 21.5 IN, D: 22 IN,
Black Suede

From the front, this tone-on-tone seat in black suede and ebony beech wood is clean and minimalist. From the back, a supportive arch is adorned with black leather loops for a textural twist. Scaled to perfectly fit smaller spaces, this detailed swivel chair can serve as an extra dining chair, vanity chair, or accent piece. Suede and leather will vary.

APPEARANCE

Material	Suede, Leather, Wood
Material Type	Beech
Finish	Black, Ebony
Finish Will Vary	Yes
Top Coat/Sealant	Yes
Textile Contract Suitability	High Traffic/Public Spaces

DIMENSIONS

Base	Dia: 18.00 IN
Foot Print	Dia: 18.00 IN
Seat	H: 18 IN, Dia: 20.00 IN
Clearance	1.5 IN

SHIPPING

Product Weight	42 lbs
Gross Weight 1	55 lbs
Shipping Box 1	H: 27.5 IN, L: 24.5 IN, W: 24.5 IN

ADDITIONAL INFO

Swatch Number	T48SW
Fabric Content	100% Leather
Fabric Cleaning Code	S - dry clean only
Leg Or Foot Application	360 Swivel Mechanism

CONTRACT

Contract Suitable	Yes
Fabric Composition	100% Leather