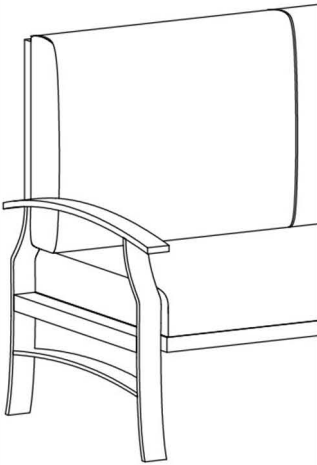


# Owner Manual



# WARRANTY

We strive to offer high quality product and we also try our best to satisfy each customer that order from us, no matter on products or services as needed. Each customer receives a record of their order, such as the order number or item receipt. For any items that are out of warranty period, you may still be able to purchase the replacement parts from our company if they are available.



# MAINTENANCE AND WARNING

Please read the manual thoroughly  
before you start installing.

Please keep the product away from  
sharp object.

Packaging and small parts may have  
chocking hazard, please keep them away  
from children and pets.

Please clean the product according to each  
clean code, check the product description  
for more information.

Please keep the product away from  
fire.

If you have any other questions, please  
contact us, we will be glad to help you out.

If the product is placed under direct  
sunlight, the pattern or color might fade  
away overtime.

Check the product periodically to make  
sure everything is secured and tightened.

Always use proper tools for installation.

Do not jump on the product.



Around 45 min

# PRODUCT DESCRIPTION

Metal structure is very stable, allowing for two person to use at the same time.

Soft cushions provide ultimate comfort, designed for long time sitting.

Hollow caved design adding aesthetic to the overall appearance.

Metal made chair has quality of weather resistant, perfect for harsh outdoor environments.

Easy to install, the instruction is very clear.

Dream

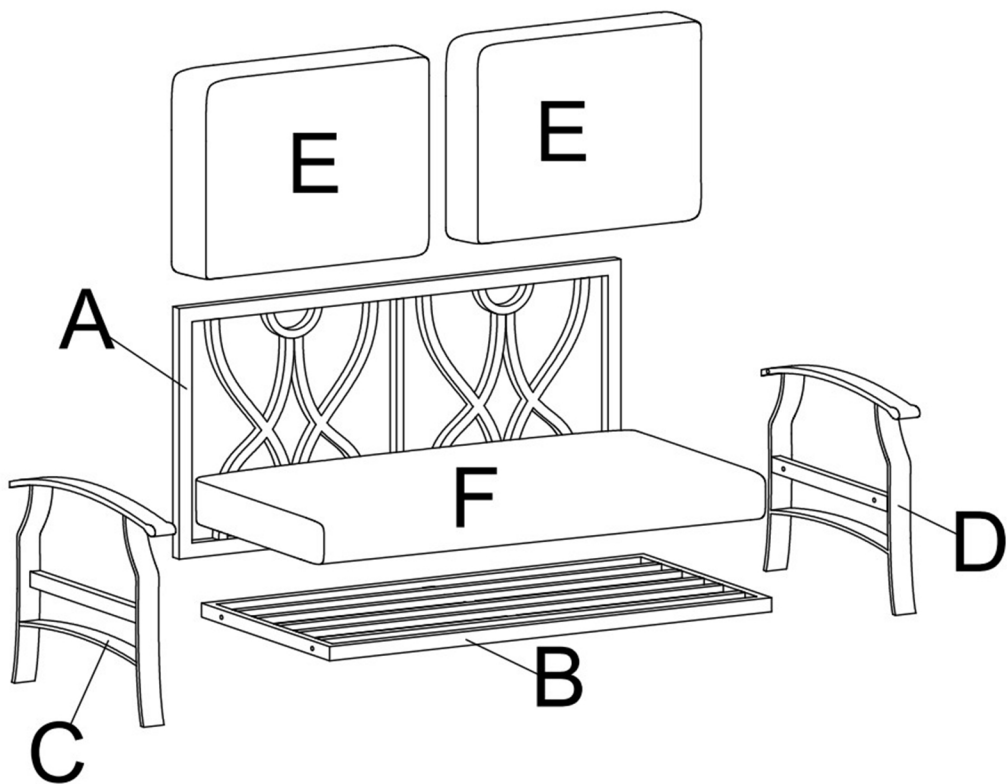


House

# EXPLODED VIEW

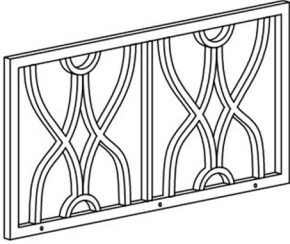


The product's left and right are determined by sitting posture



# PARTS

A\*1



Backrest

B\*1



Seat frame

C\*1



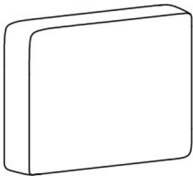
Right arm

D\*1



Left arm

E\*2



Back cushion

F\*1



Seat cushion

# HARDWARE

## TOOL LIST

NOTE: Designated with (★) We provide additional spare parts in the hardware package

①\*2



★M6X40mm  
Bolt

②\*7



★M6X30mm  
Bolt

③\*9



★Flat washer

④\*1

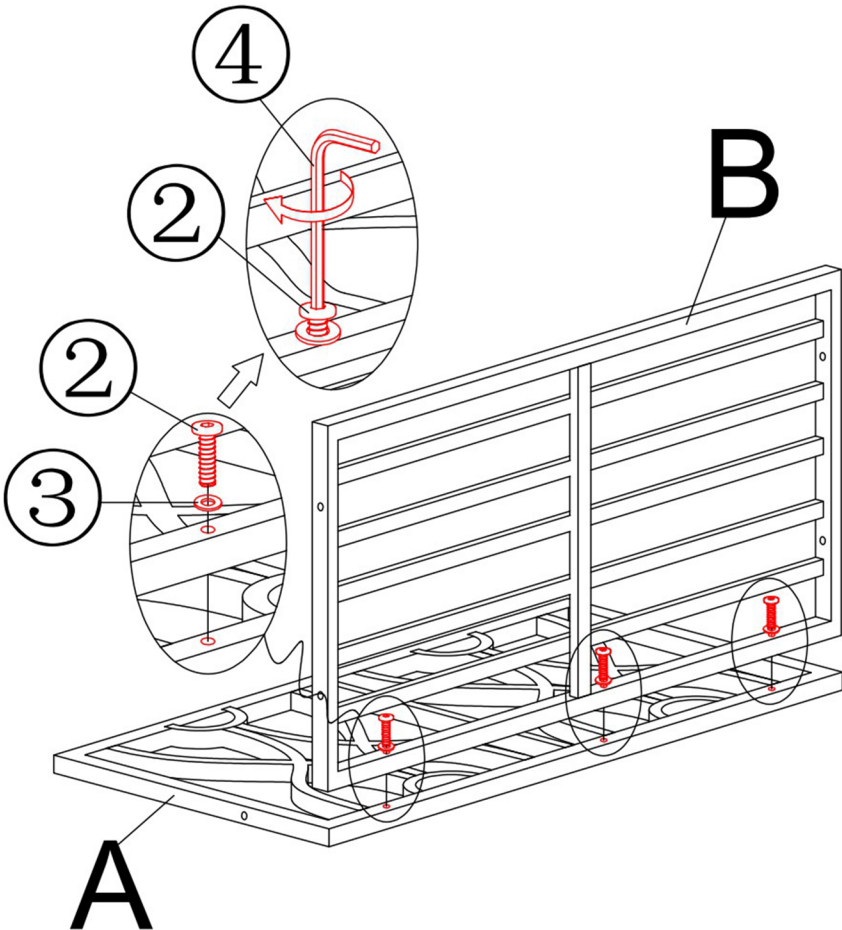


Allen key

Please make sure all hardware&packing material fitting the list.  
Especially some small accessories may be missing during transportation. Please contact us if you have any question.

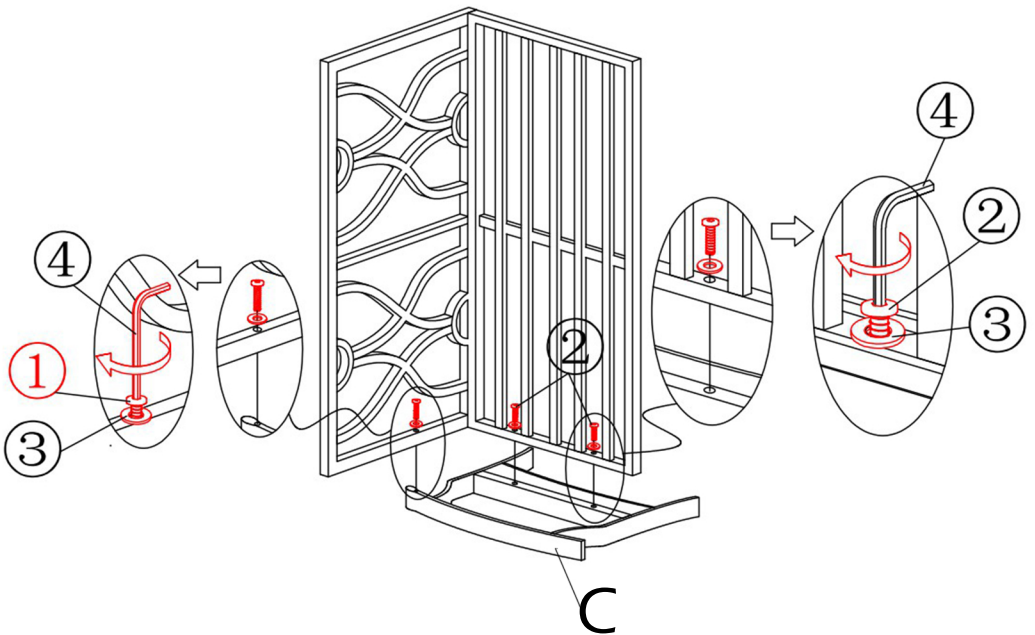
# step 1

Align the predrilled holes on backrest (B) with the seat frame (A), then use the allen wrench (4) provided to tighten the bolts (2), you need to place a washer (3) onto the bolts before tighten, then make sure all the bolts are tightened before next step.



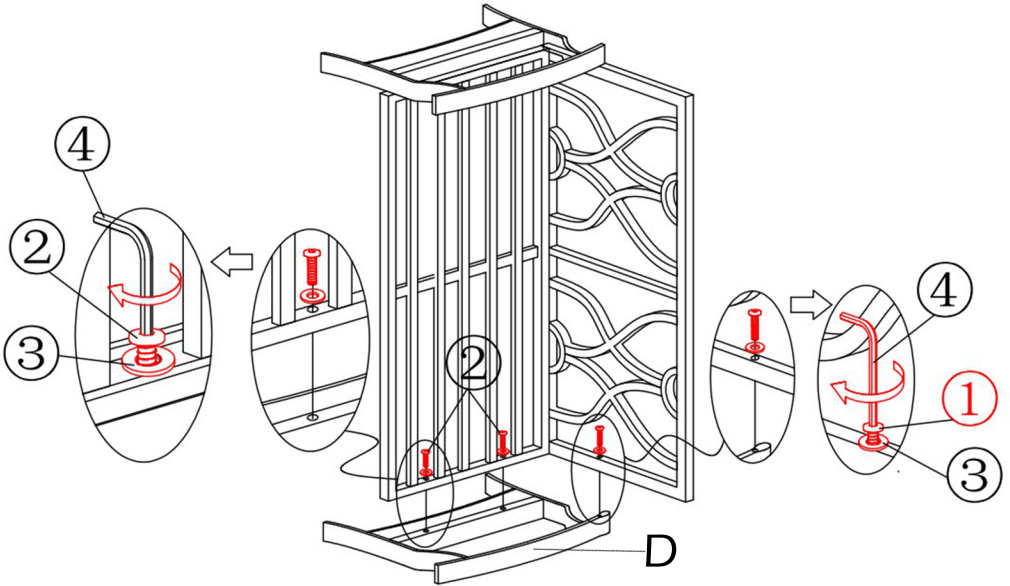
# step 2

Install the right armrest (C) onto the frame, Add one flat washer (3) on each bolt (1&2) as shown, then align the bolt (1) holes on both backrest and armrest, align the bolt (2) holes on both seat frame and armrest, then use the allen wrench (4) to tighten all bolts by 30%-50% at first, ensuring that all bolts are aligned correctly before tightening all bolts. There are two bolts (2) used on seat frame, and one bolt (1) used on backrest.



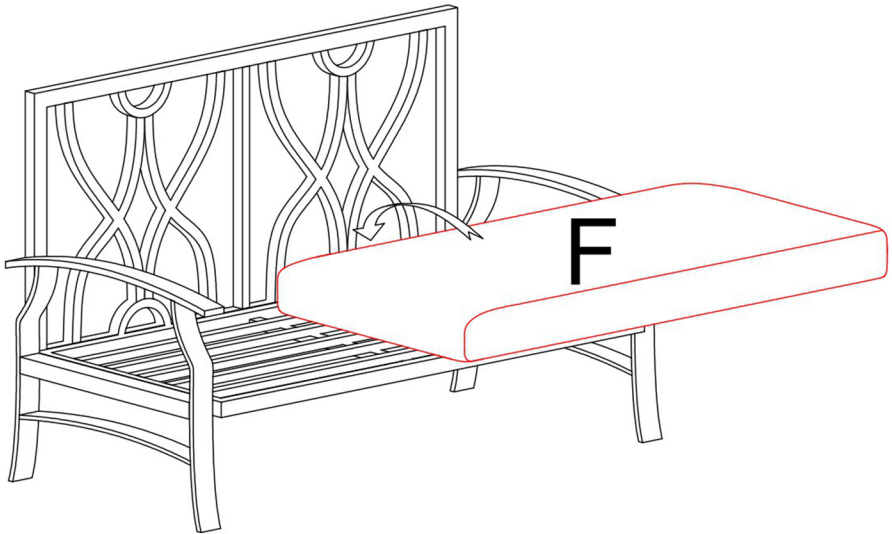
# step 3

Install the left armrest (D) onto the frame, Add one flat washer (3) on each bolt (1&2) as shown, then align the bolt (1) holes on both backrest and armrest, align the bolt (2) holes on both seat frame and armrest, then use the allen wrench (4) to tighten all bolts by 30%-50% at first, ensuring that all bolts are aligned correctly before tightening all bolts. There are two bolts (2) used on seat frame, and one bolt (1) used on backrest.



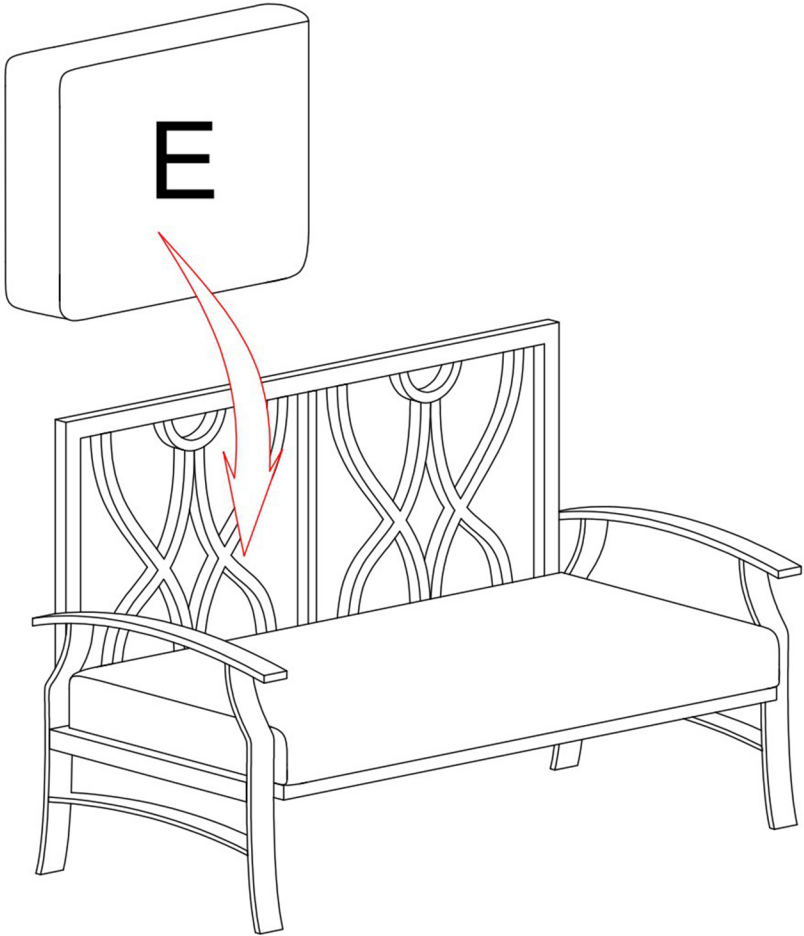
# step 4

Place the seat cushion (F) onto the chair.



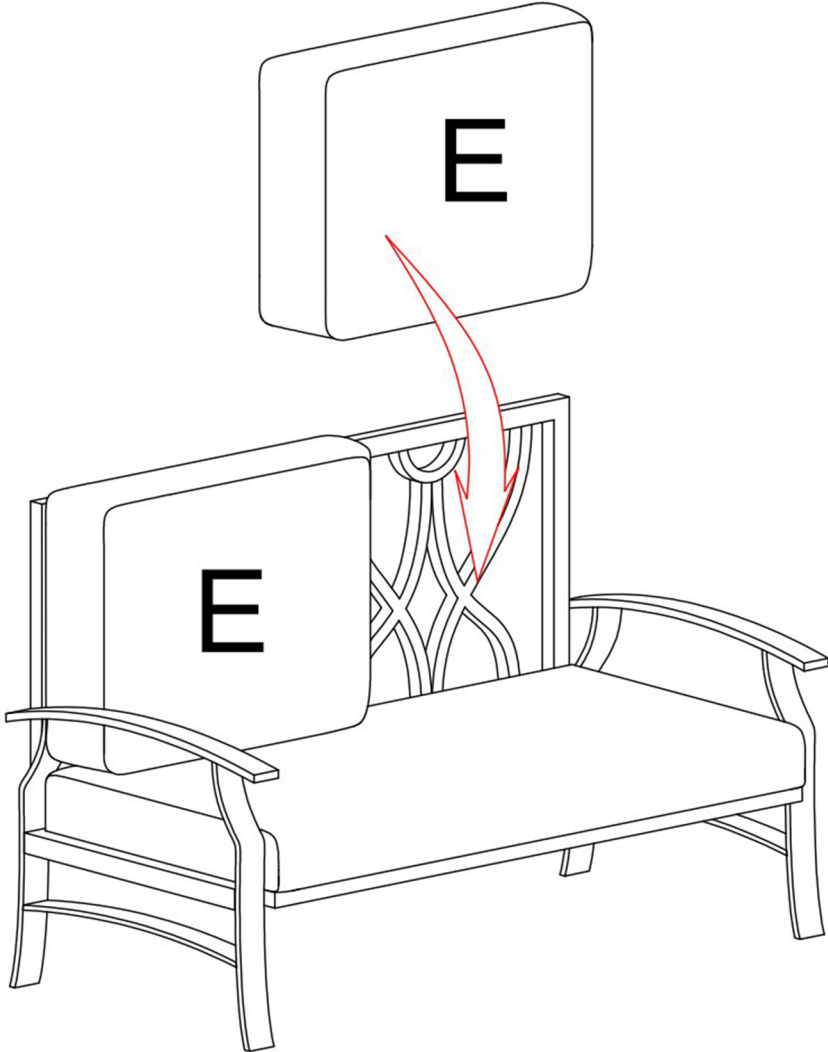
# step 5

Place the back cushion (E) onto the chair.



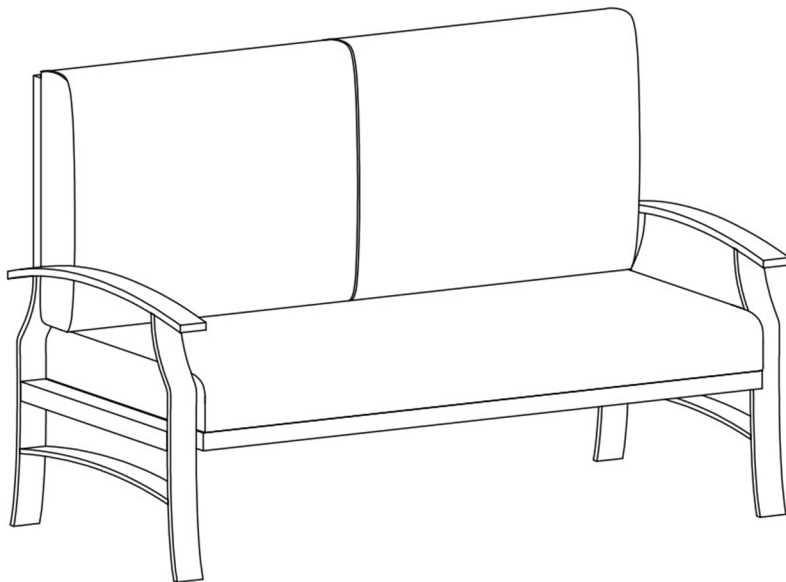
# step 6

Place the back cushion (E) onto the chair.



# step 7

The assembly is complete! Thanks for choosing our product!  
Please Enjoy!



For better user experience, please carefully check all the screws, and make sure they are all fully tightened. (Use the allen wrench to twist each screw until it is fully tightened.)