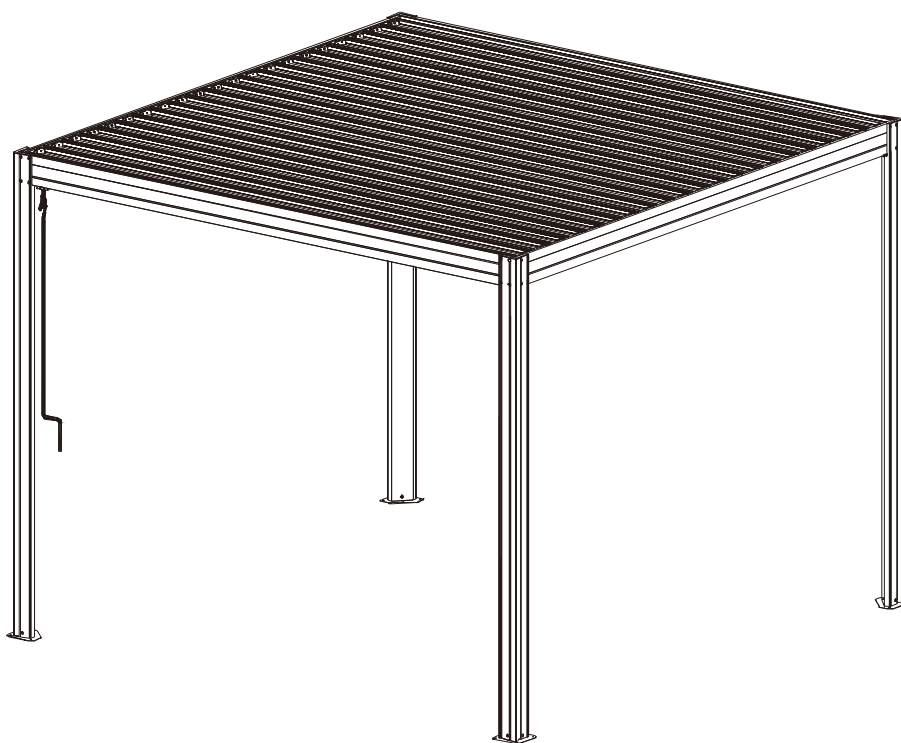


10'x10' ALUMINUM LOUVERED PERGOLA

ASSEMBLY MANUAL



MODEL# : LGMF1693

Missing part? Damaged? Contact us via email at

service@domioutdoorliving.com

www.domioutdoorliving.com

READ ALL INSTRUCTIONS BEFORE USE

Warning & Attention

-This gazebo is not a toy. Children are not allowed to assemble or disassemble. Please take care of children, do not let them play around when assemble or disassemble.

-Adults only for assemble or disassemble this product.

-This product is constructed with heavy duty frame, please do not lean or climb before it finish assembling.

-Even though our hardtop gazebo is sturdy, please do not stand under the gazebo during a lightning storm.

-DO NOT use this gazebo if any parts show signs of instability or damage.

-Maximum weight capacity is 1000 pounds.

-If moderate to heavy snow is forecast, open the lovers to avoid snow accumulating.



Four or more people are needed for assembly.



Find out and use the hex keys in the box.



One or more ladders are necessary.



A Phillips screwdriver is required.



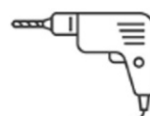
Please wear protective glove before assembly.



Please don't fully tighten the screws prior to complete assembly.

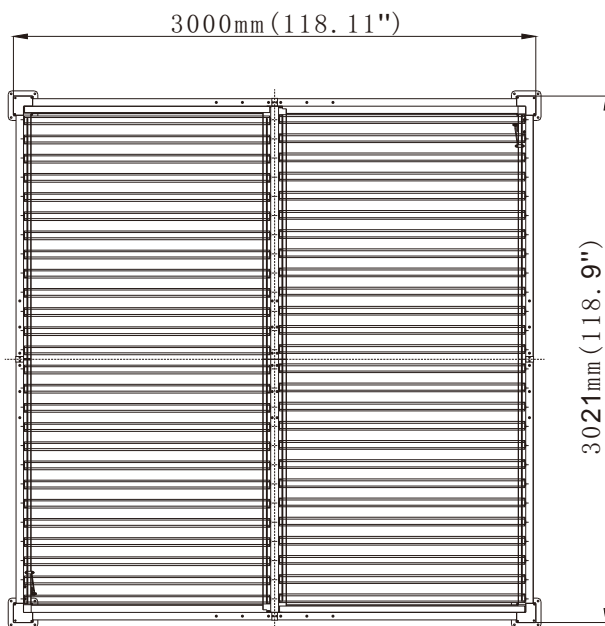
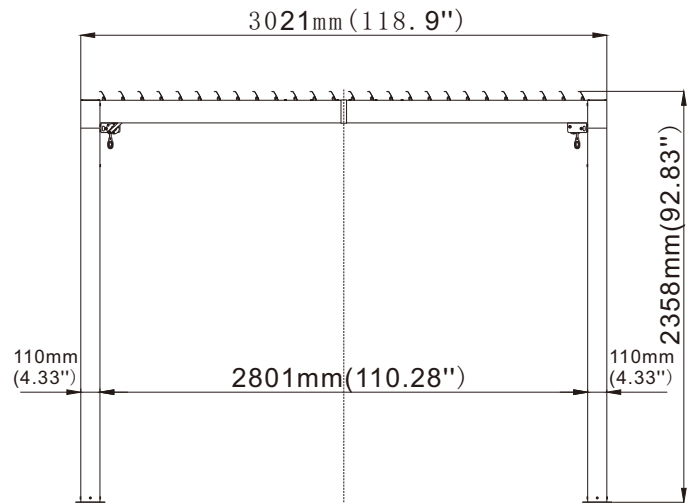
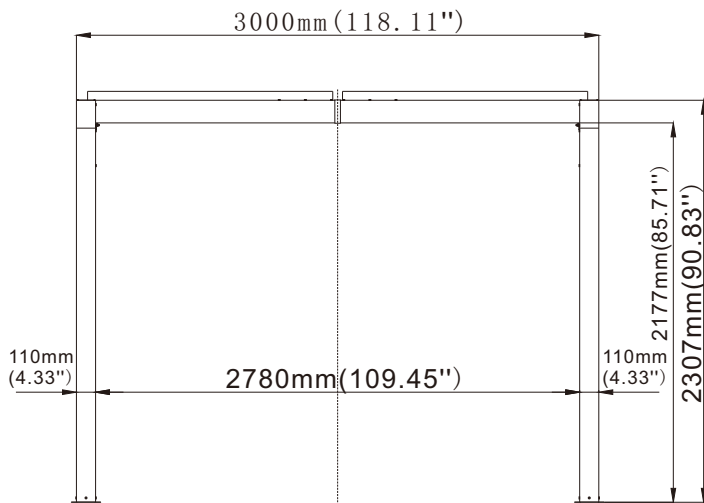


Please wear a safety hat.



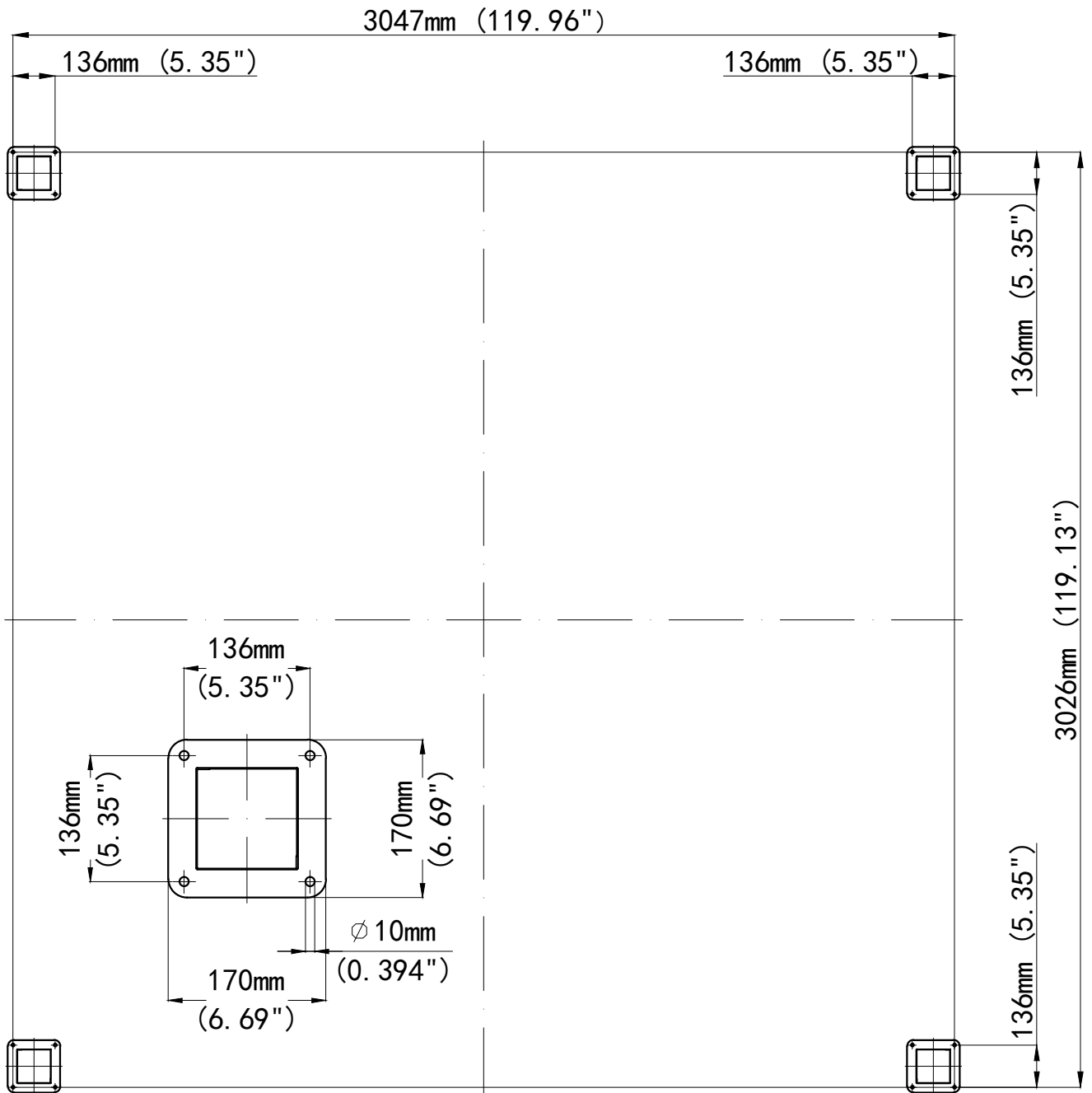
You may need prepare a drill.

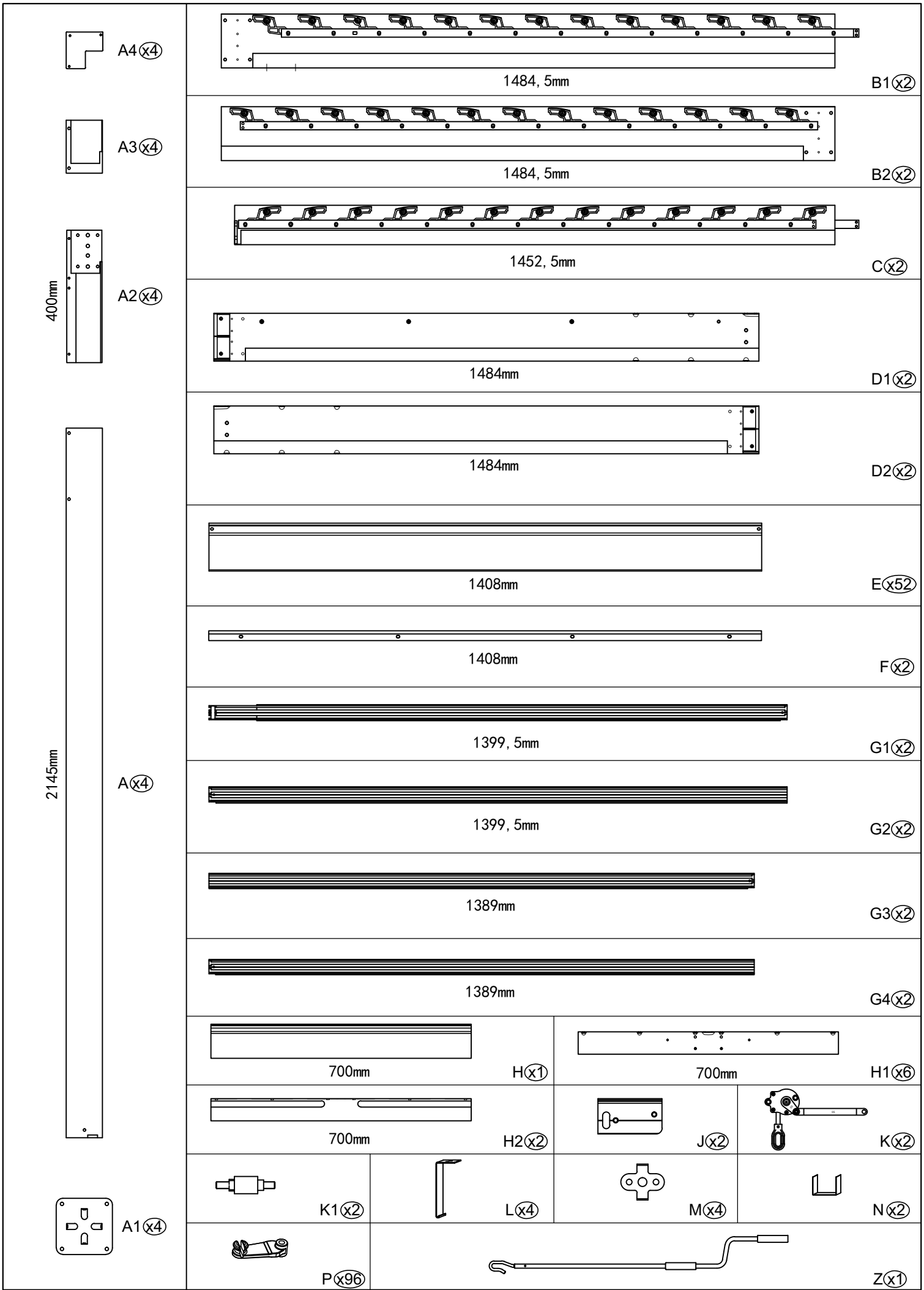
10' x 10' Louvered Pergola Dimension

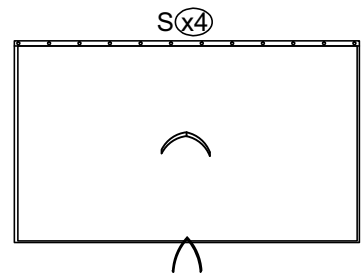
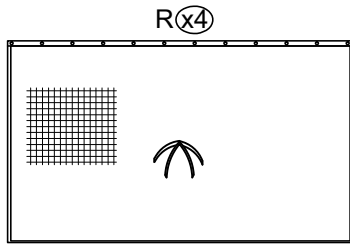


LGFA1693
10' X 10'

MOUNTING BLUEPRINT Pergola 10' x 10'







M6x12

1#
x156



M8x36

5#
x4



M6x16

2#
x8



M6

6#
x4



M5x12

3#
x8



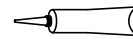
ST4.2x16

7#
x132

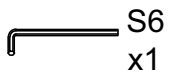


M5x8

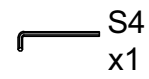
4#
x8



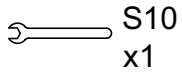
8#
x2



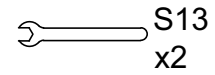
S6
x1



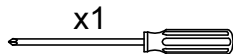
S4
x1



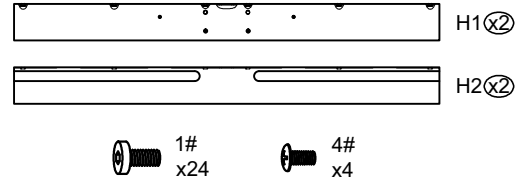
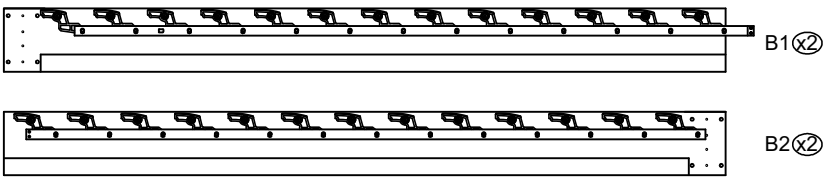
S10
x1



S13
x2

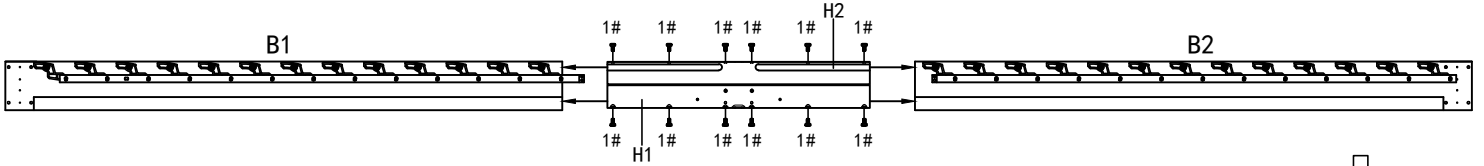


x1



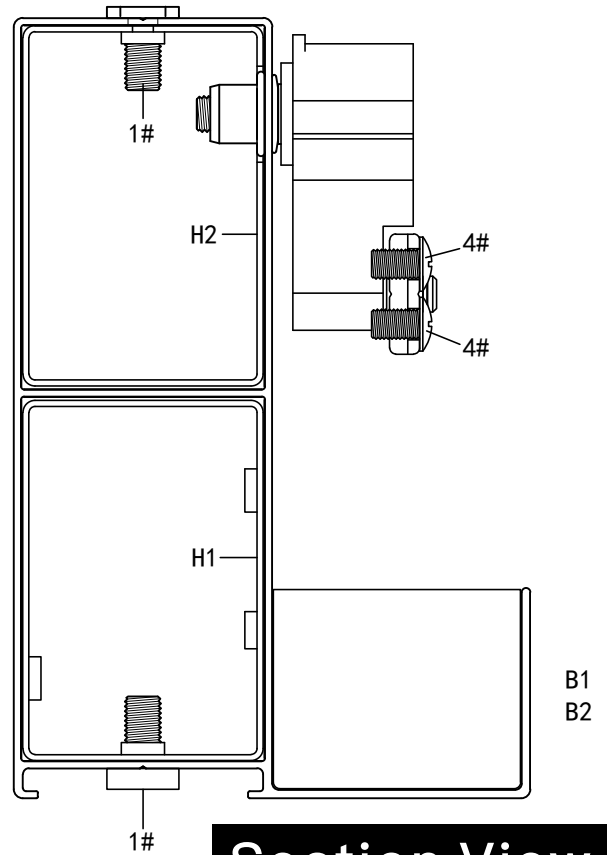
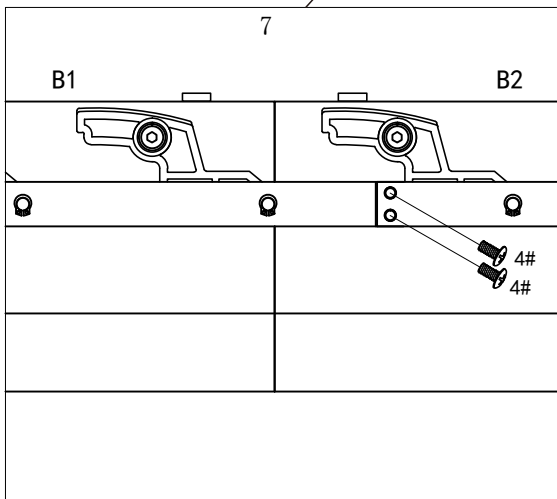
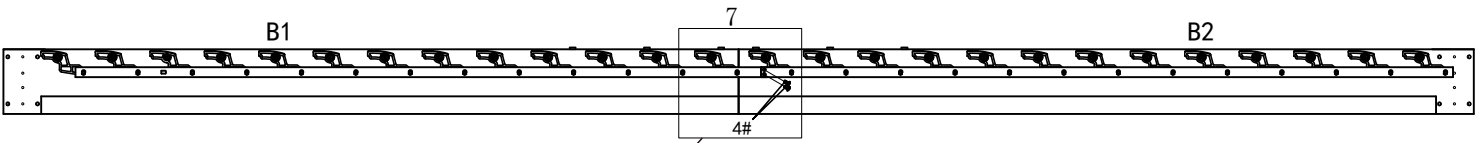
Step 1:

Insert #H2 into the upper position of Beams #B1 and #B2 and #H1 into the lower position, securing both with 6 Bolts 1# each.



Step 2:

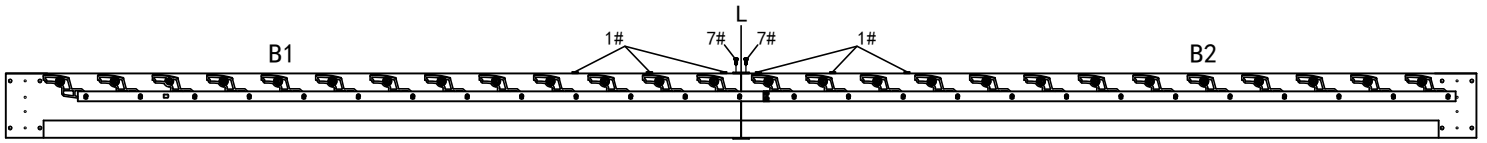
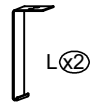
Connect the Linkage Rod on Beams #B1 and #B2 with 2 Bolts 4#.



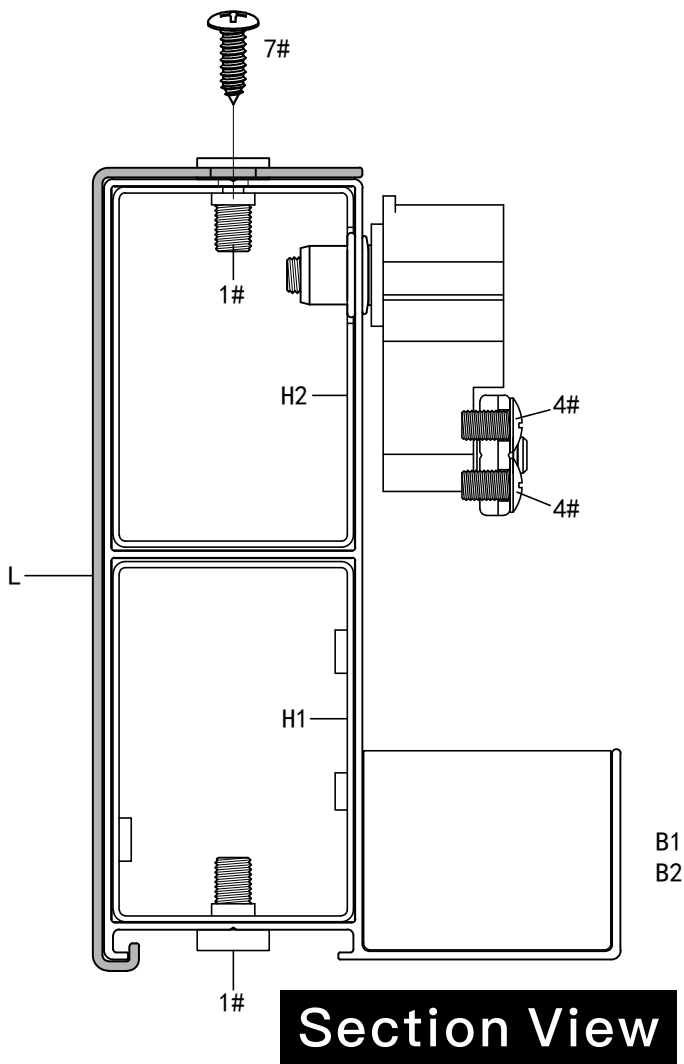
Section View

Step 3:

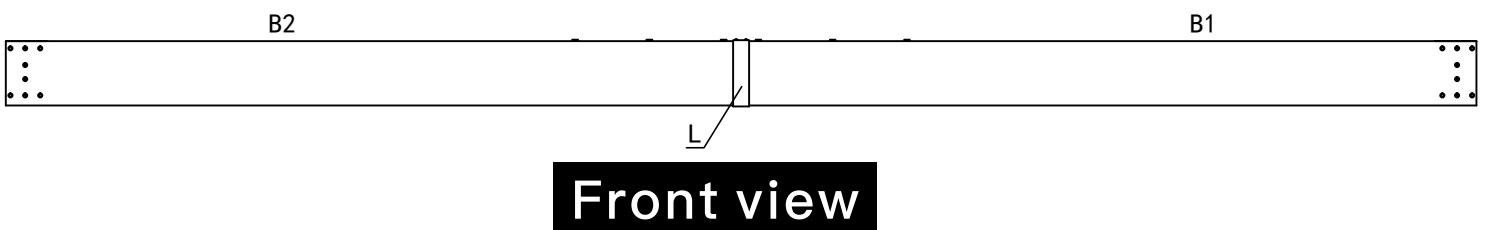
It's normal for there to be a gap between the 2 beams, please use 8# Silicone Sealant to fill the gap.



Step 4:
Connect #B1 and #B2 with #L using Screws 7#.



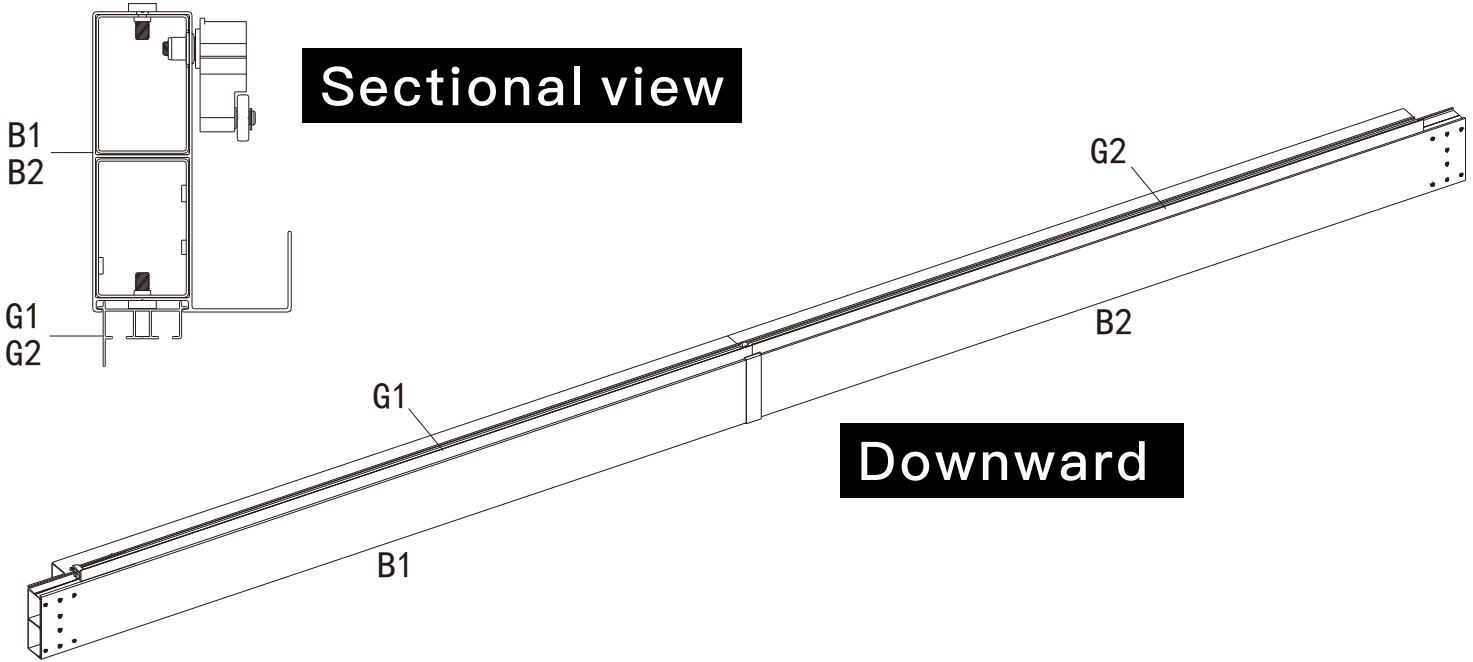
Repeat the above procedure
to connect another beam.





Step 5:

Insert track #G1 into beams #B1 and track #G2 into beams #B2.



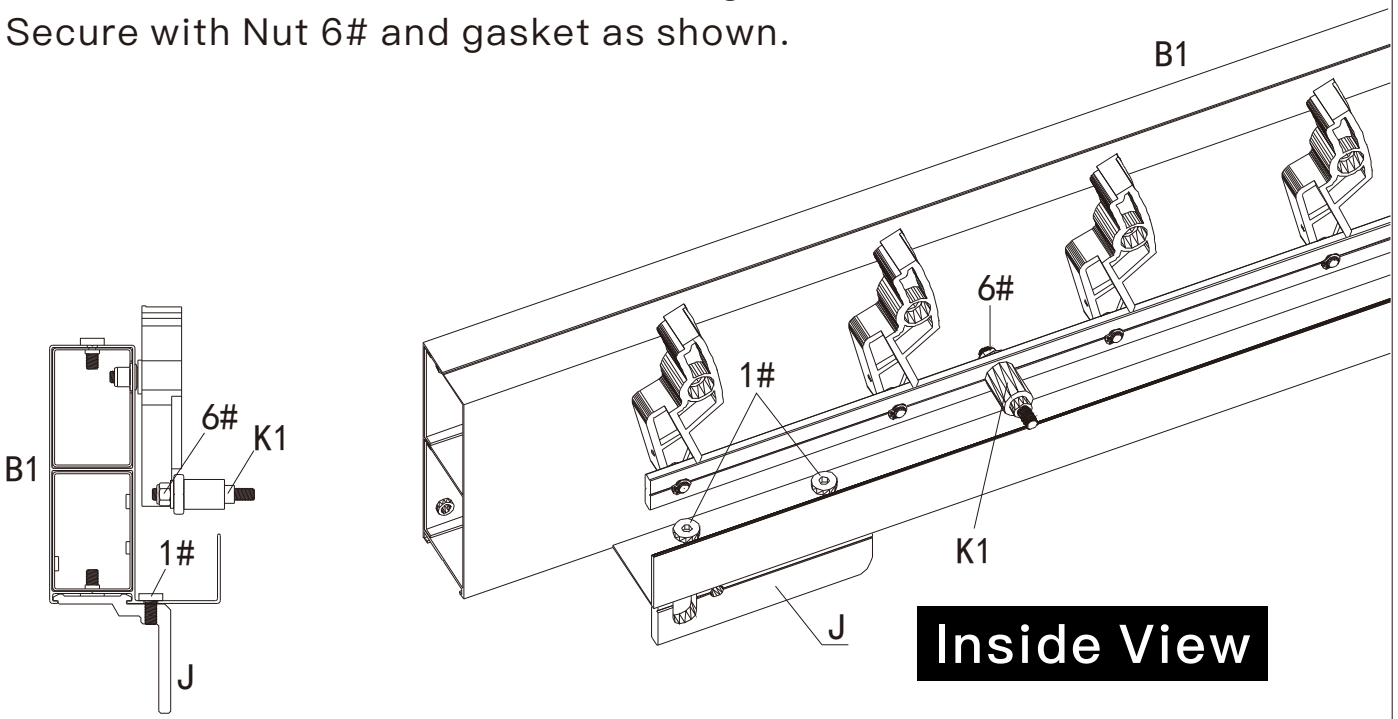
Step 6:

Install Bracket #J onto Beams #B1 and secure with 2 Bolts 1#.

Step 7:

Insert Part #K1 into the hole on Linkage Rod of Beam #B1.

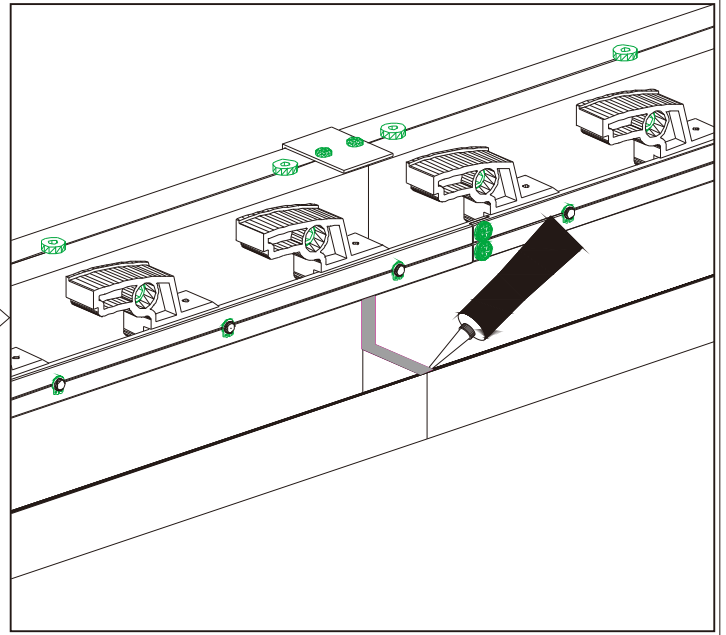
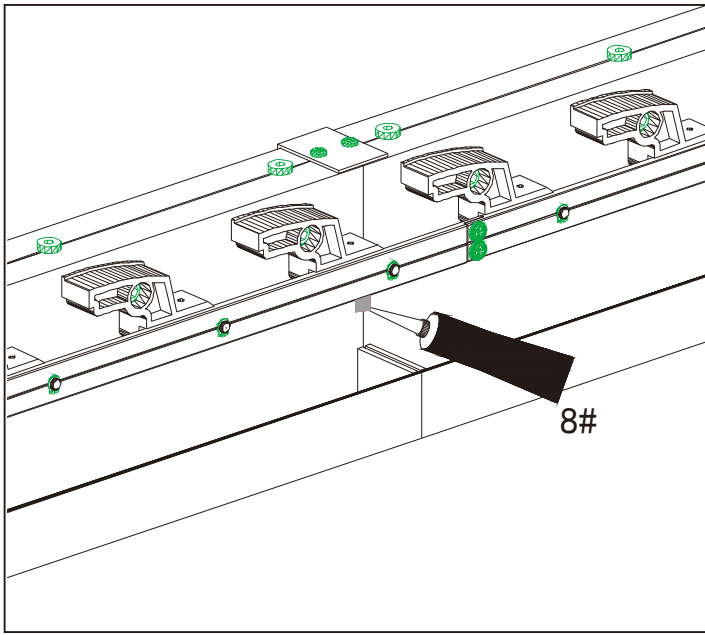
Secure with Nut 6# and gasket as shown.



Sectional view

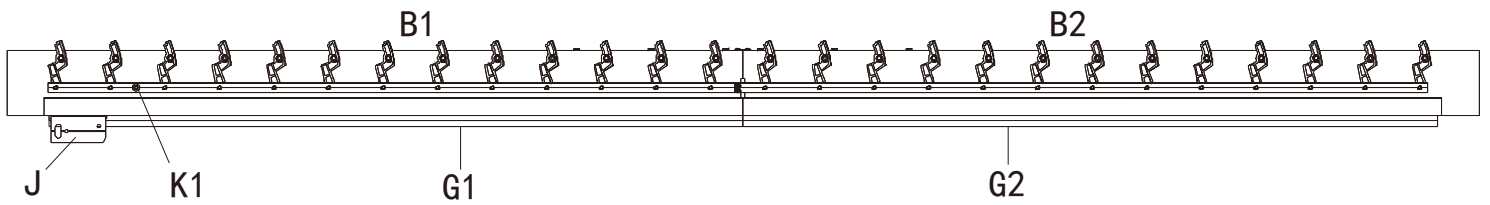
Inside View

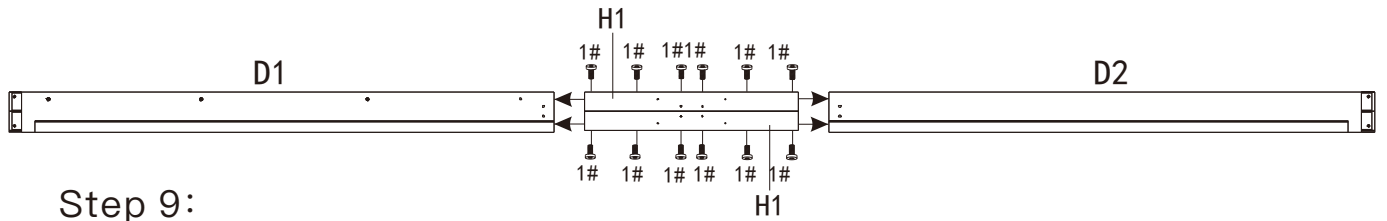
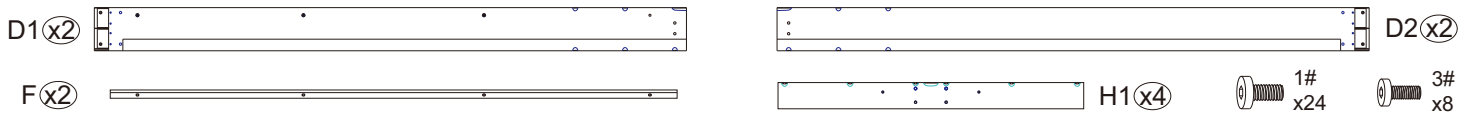
8#



Step 8:

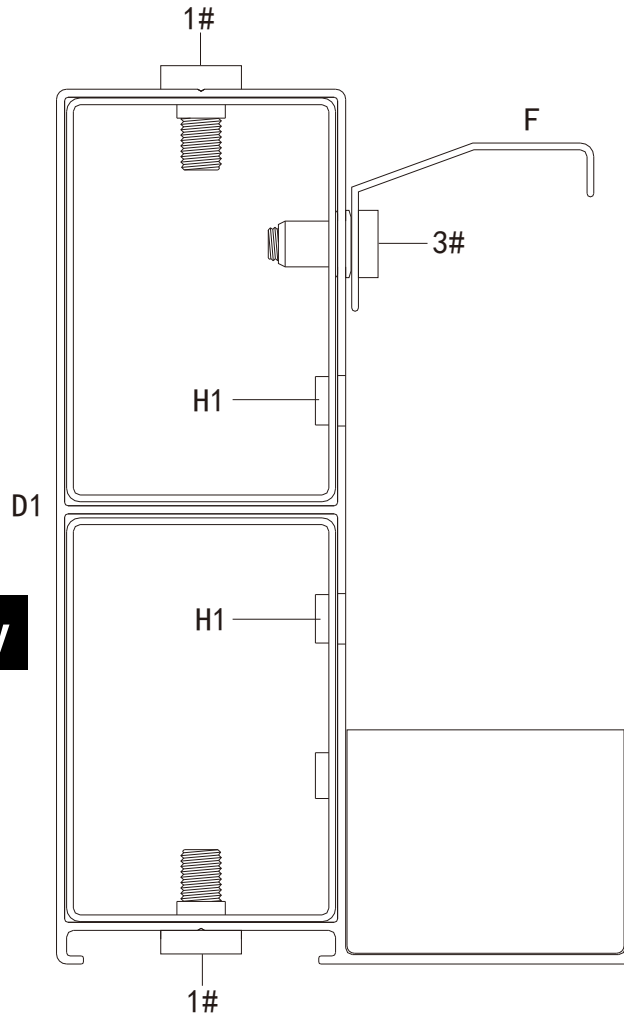
Please use silicone sealant 8# to fill the gap between the 2 beams.





Step 9:

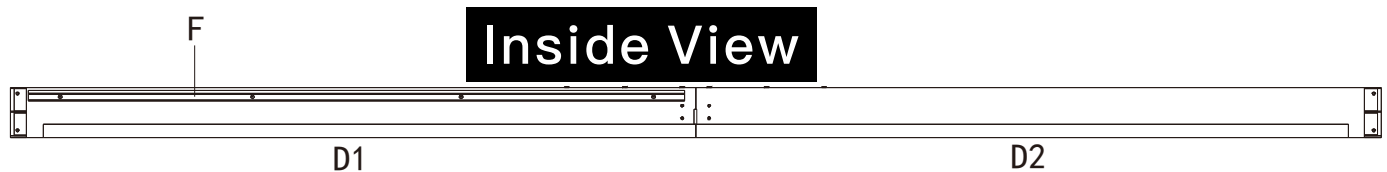
Insert one #H1 into the upper part of Beams #D1 and #D2 and another #H1 into the lower part, securing both with 6 Bolts 1# each.



Sectional view

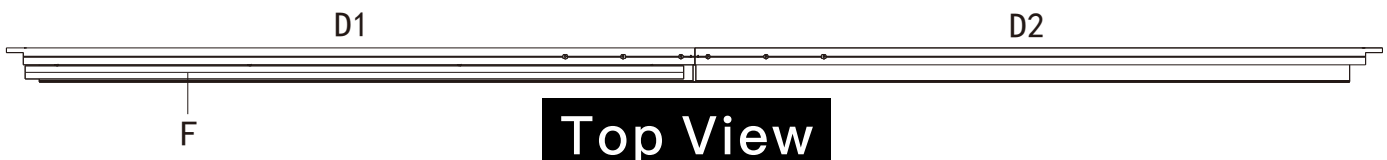
Step 10:

Install #F onto Beams #D1 and secure with 4 Bolts 3#.

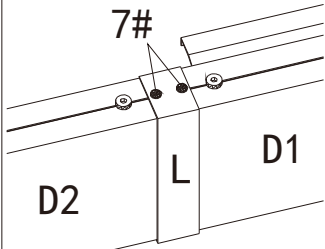
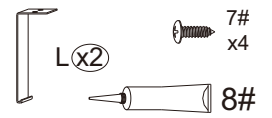
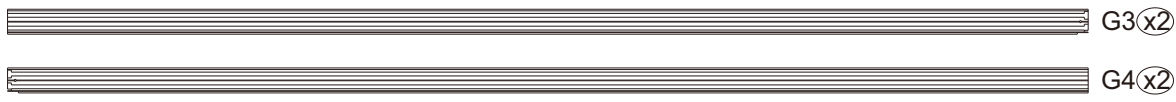


Inside View

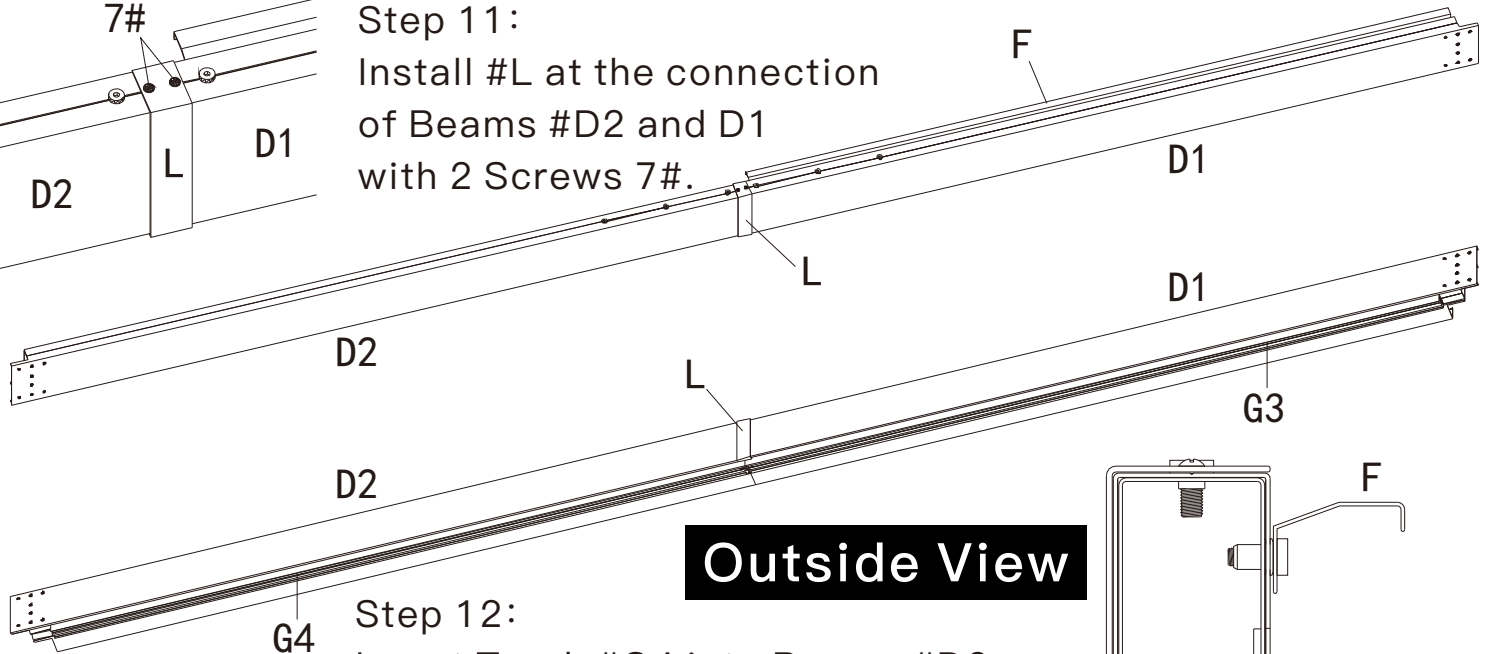
Repeat the above procedures to install the other beams.



Top View

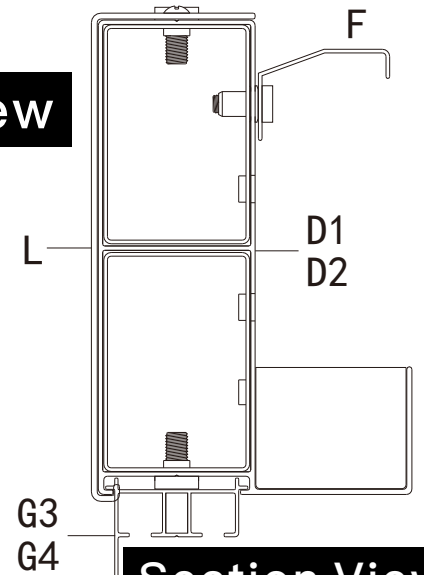


Step 11:
Install #L at the connection
of Beams #D2 and D1
with 2 Screws 7#.



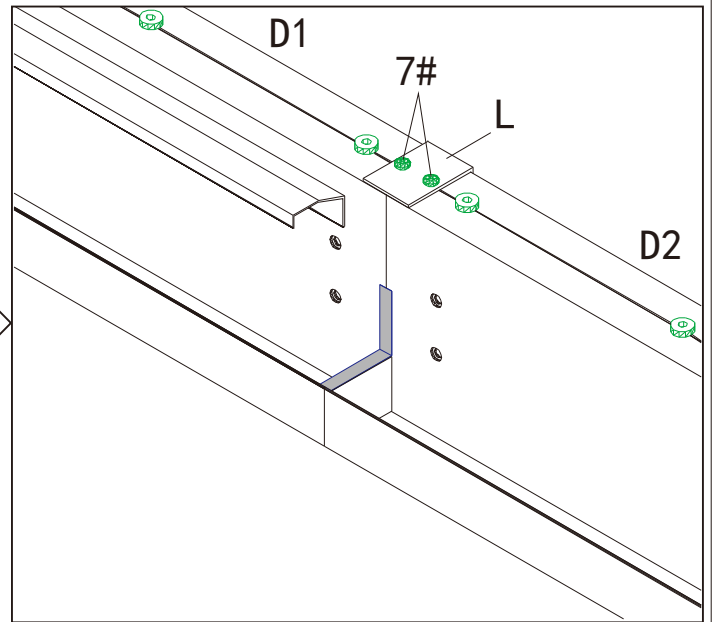
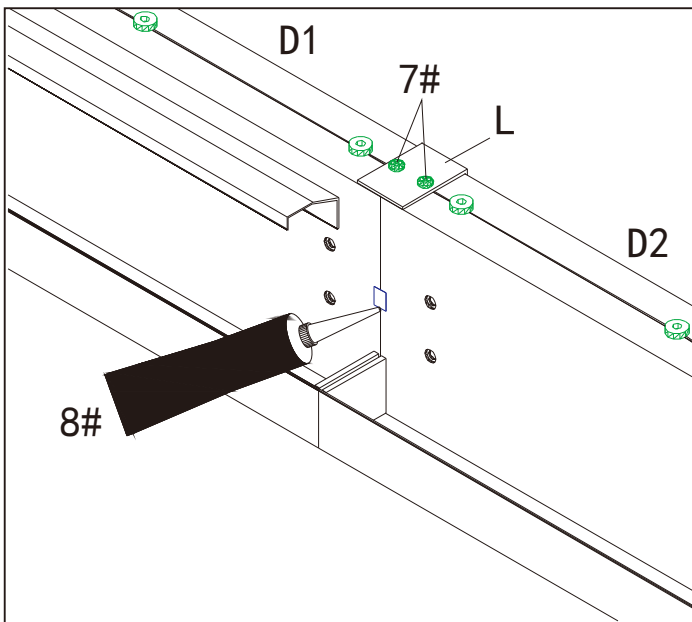
Outside View

Step 12:
Insert Track #G4 into Beams #D2
and Track #G3 into Beams #D1.

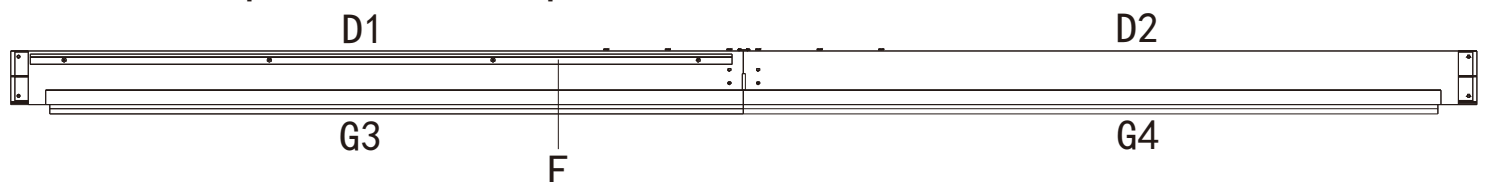


Section View

Step 13:
Use Silicone Sealant 8# to seal
the gap between Beams #D1 and #D2.

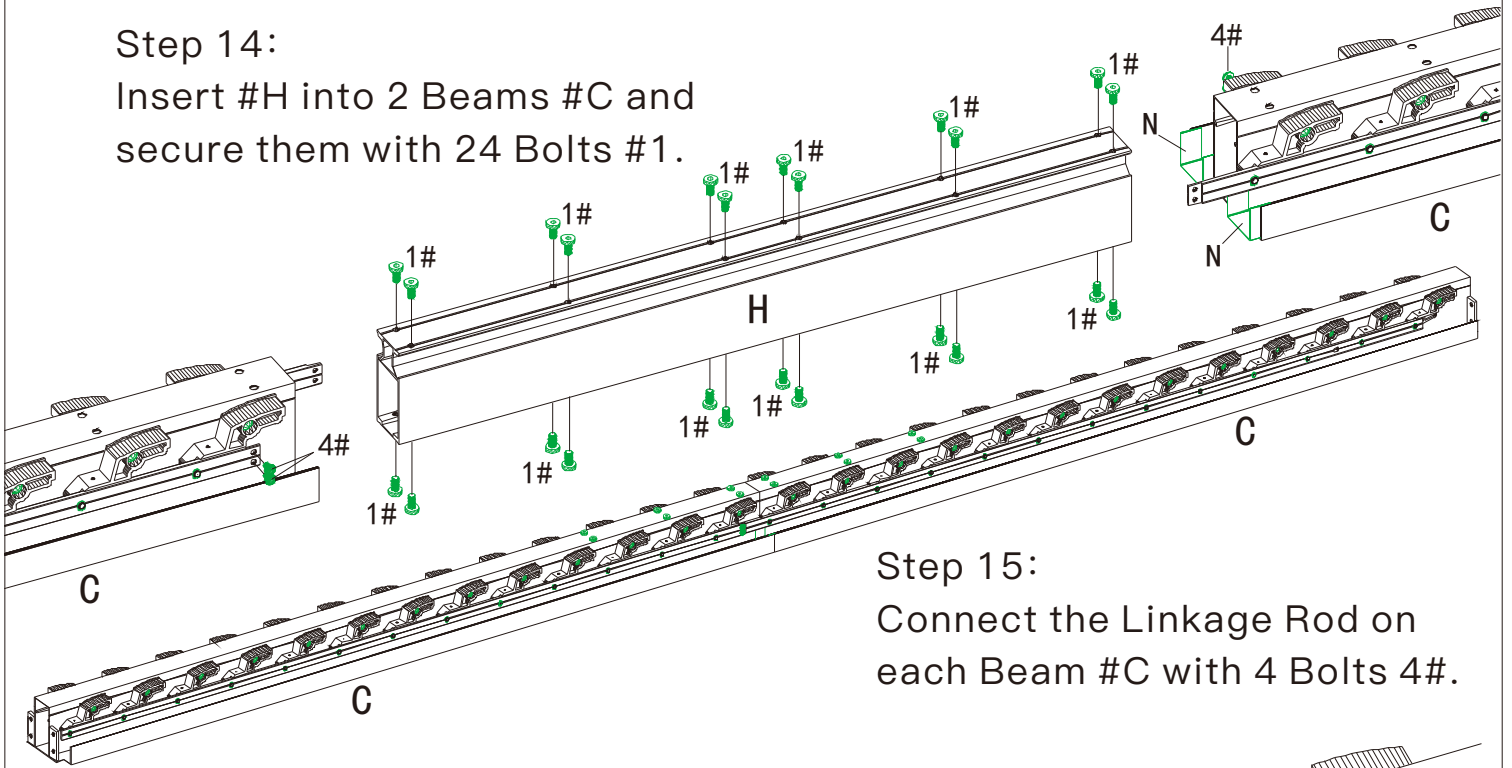


Repeat the above procedures to install the other tracks.



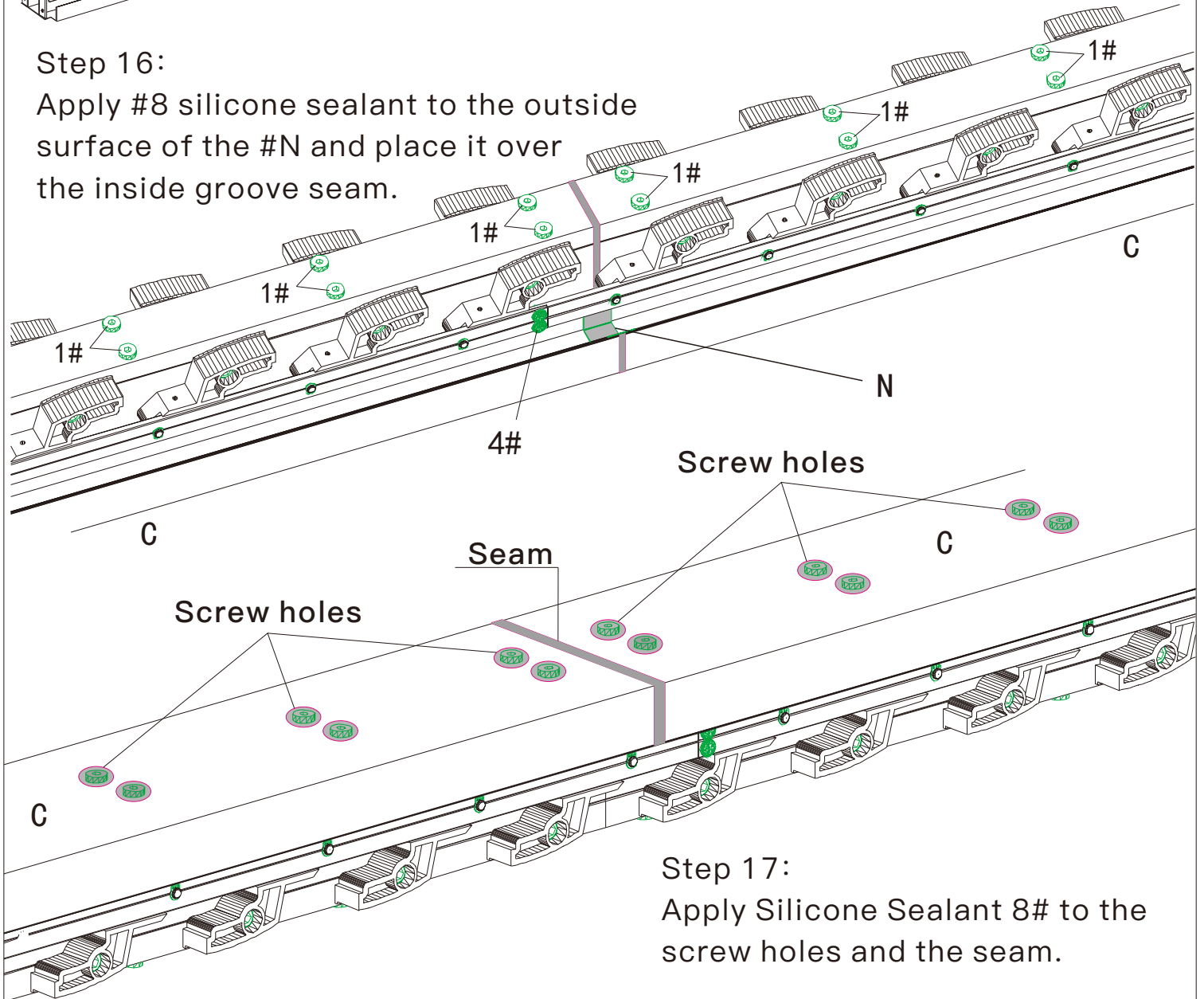


Step 14:
Insert #H into 2 Beams #C and
secure them with 24 Bolts #1.

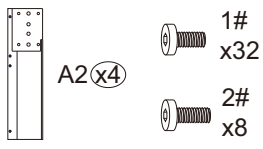


Step 15:
Connect the Linkage Rod on
each Beam #C with 4 Bolts 4#.

Step 16:
Apply #8 silicone sealant to the outside
surface of the #N and place it over
the inside groove seam.



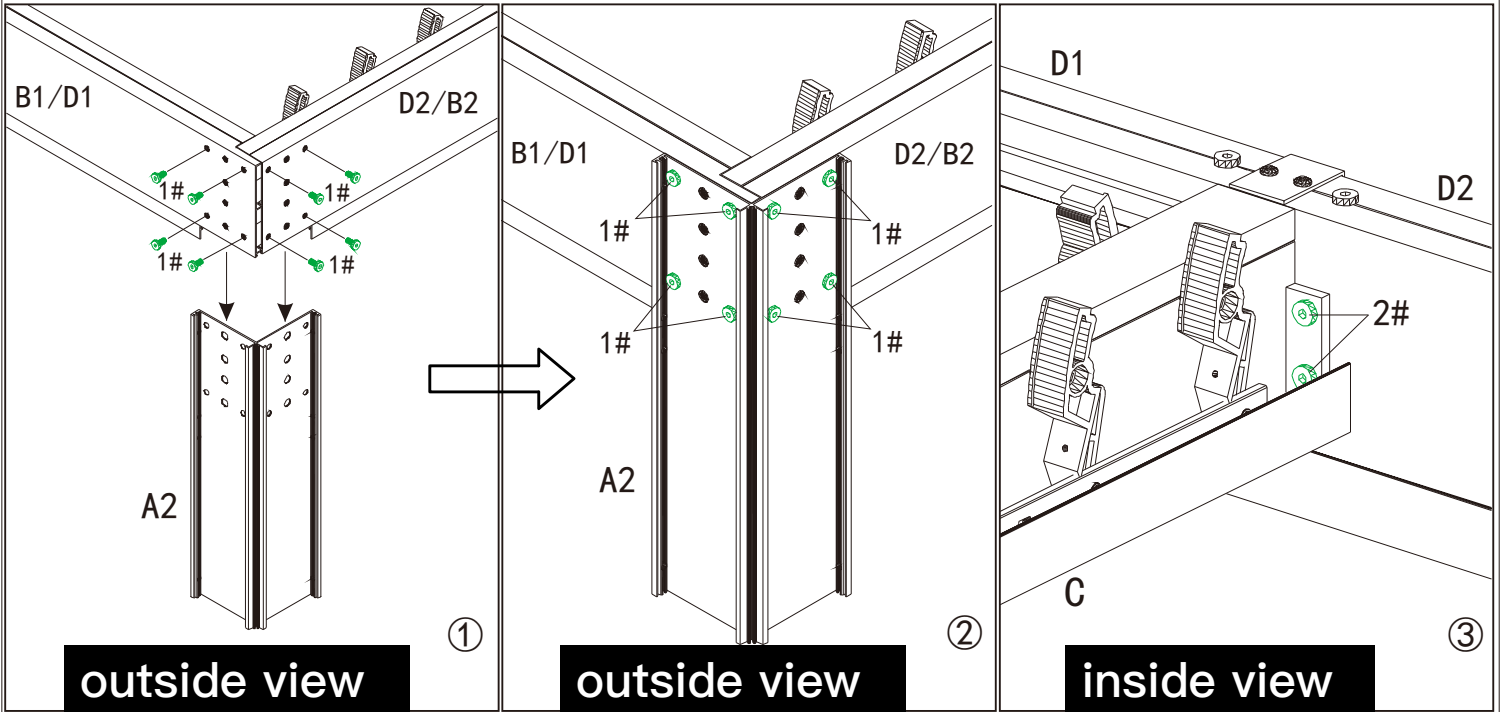
Step 17:
Apply Silicone Sealant 8# to the
screw holes and the seam.



Step 18:

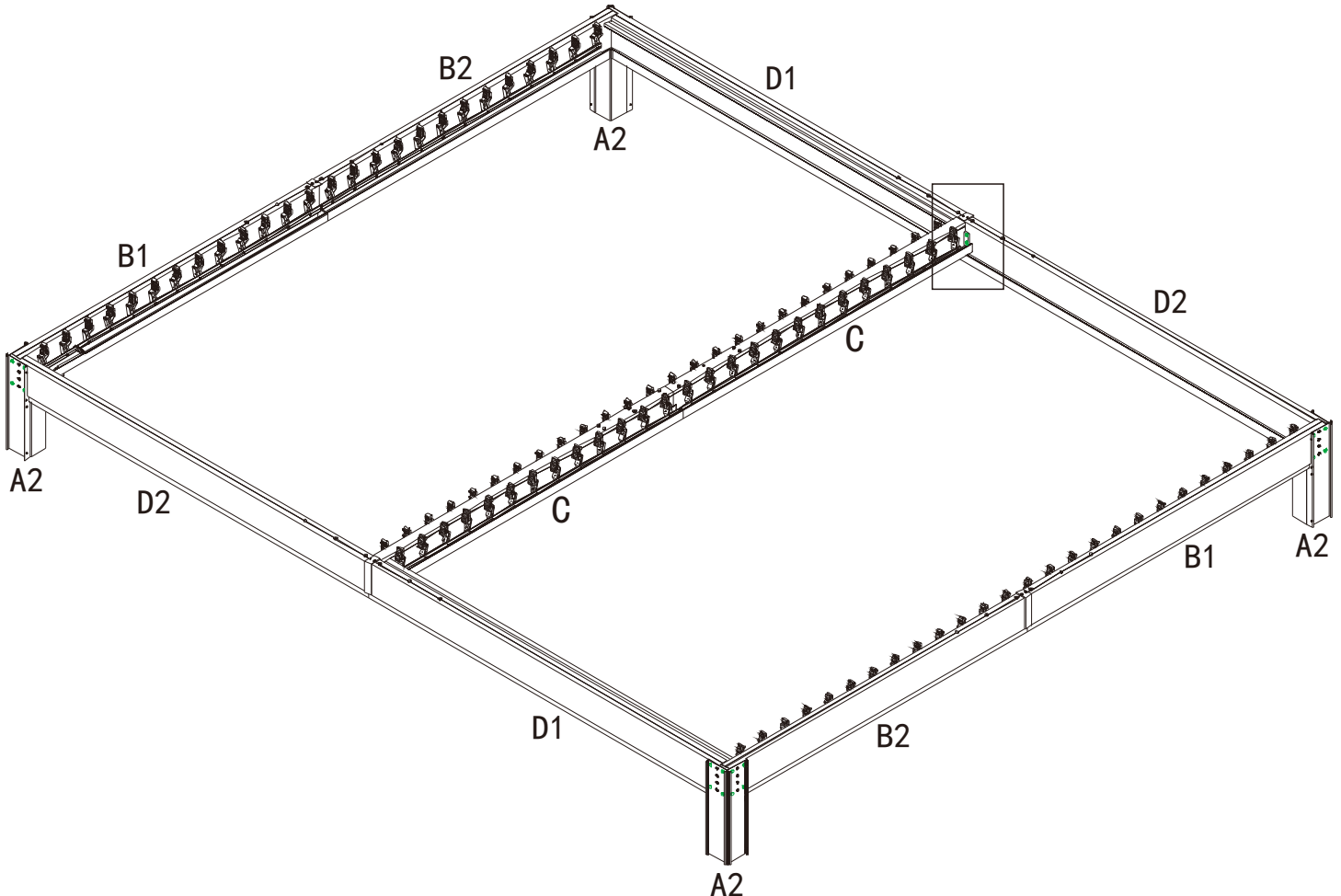
Attention: Before assembling the beams, ensure that all the Linkage Rods are facing down and the Z-shaped plastic pieces are facing up.

Connect all the beams as shown, install #A2 at the 4 corners of the beams, securing each corner with 8 Bolts #1. Please ensure that the installation positions of the Bolts #1 are as shown in Diagram .



Step 19:

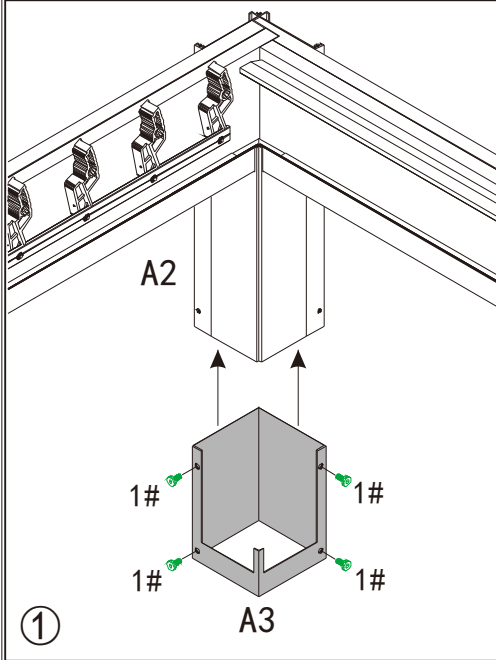
Connect central #C to Beams #D1 and #D2, and secure with 8 Bolts #2 .



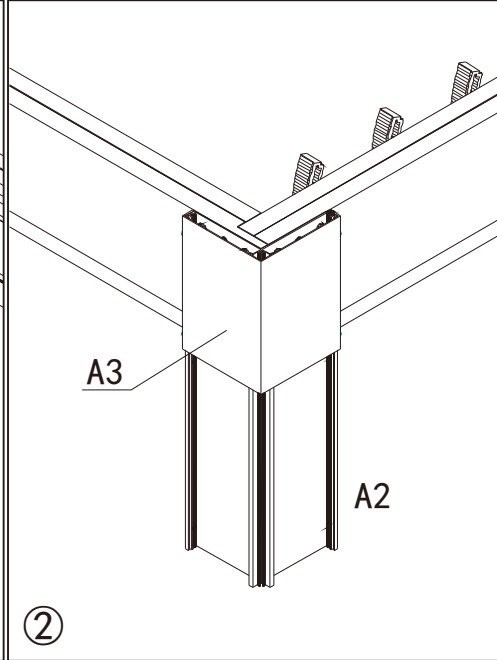


Step 20:

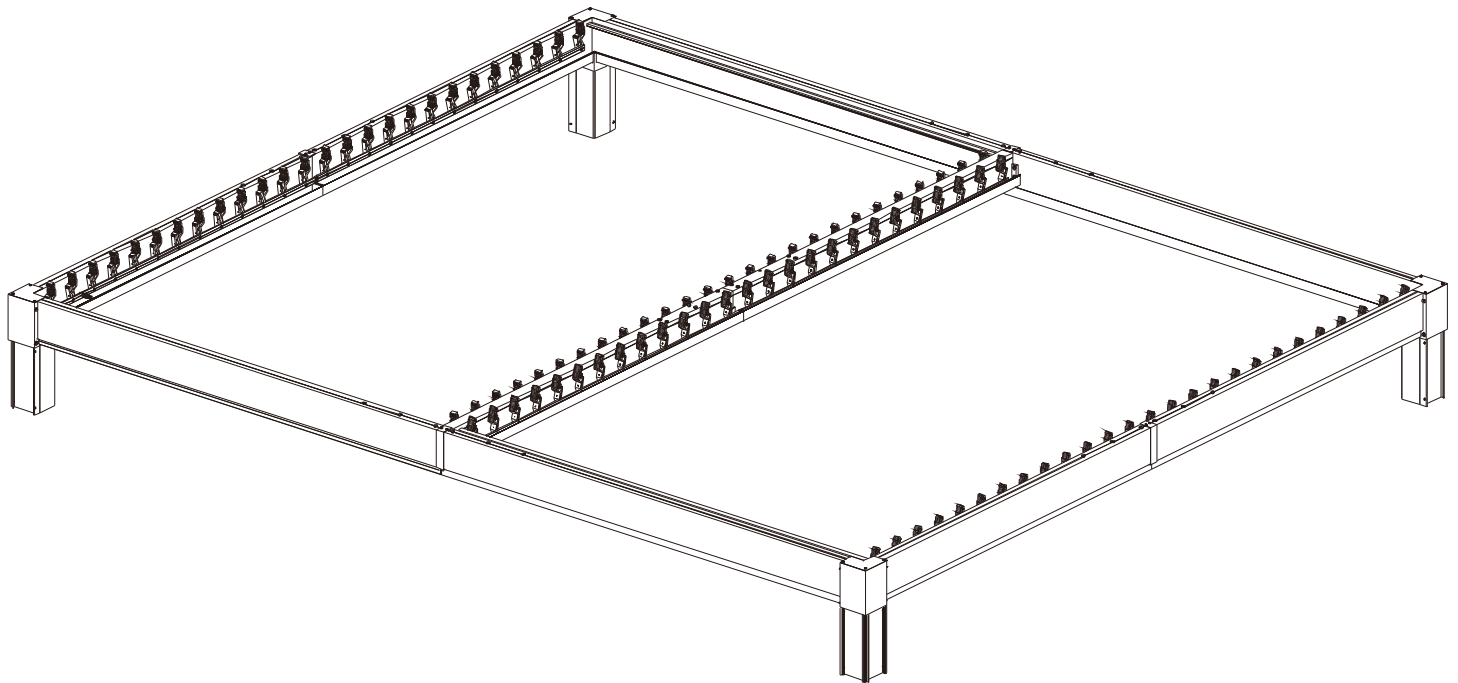
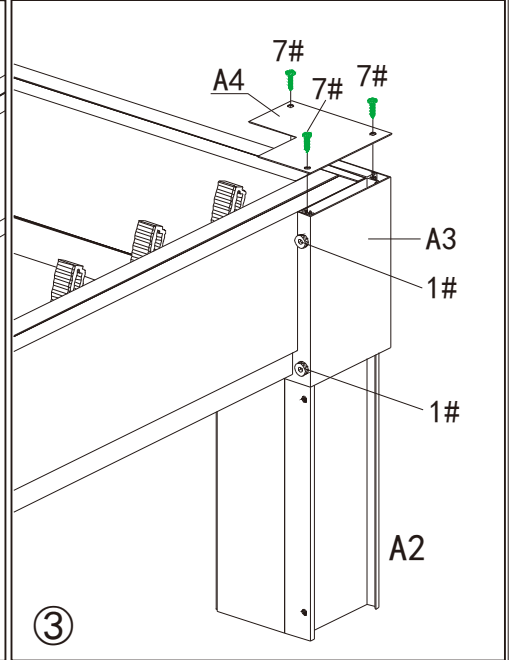
Insert #A3 into #A2 from bottom to top, and secure with 4 Bolts #1;
 Place plate #A4 onto beam corner, and secure with 3 Screws #7;
 Repeat above procedures to assemble the other 3 corners.



inside view



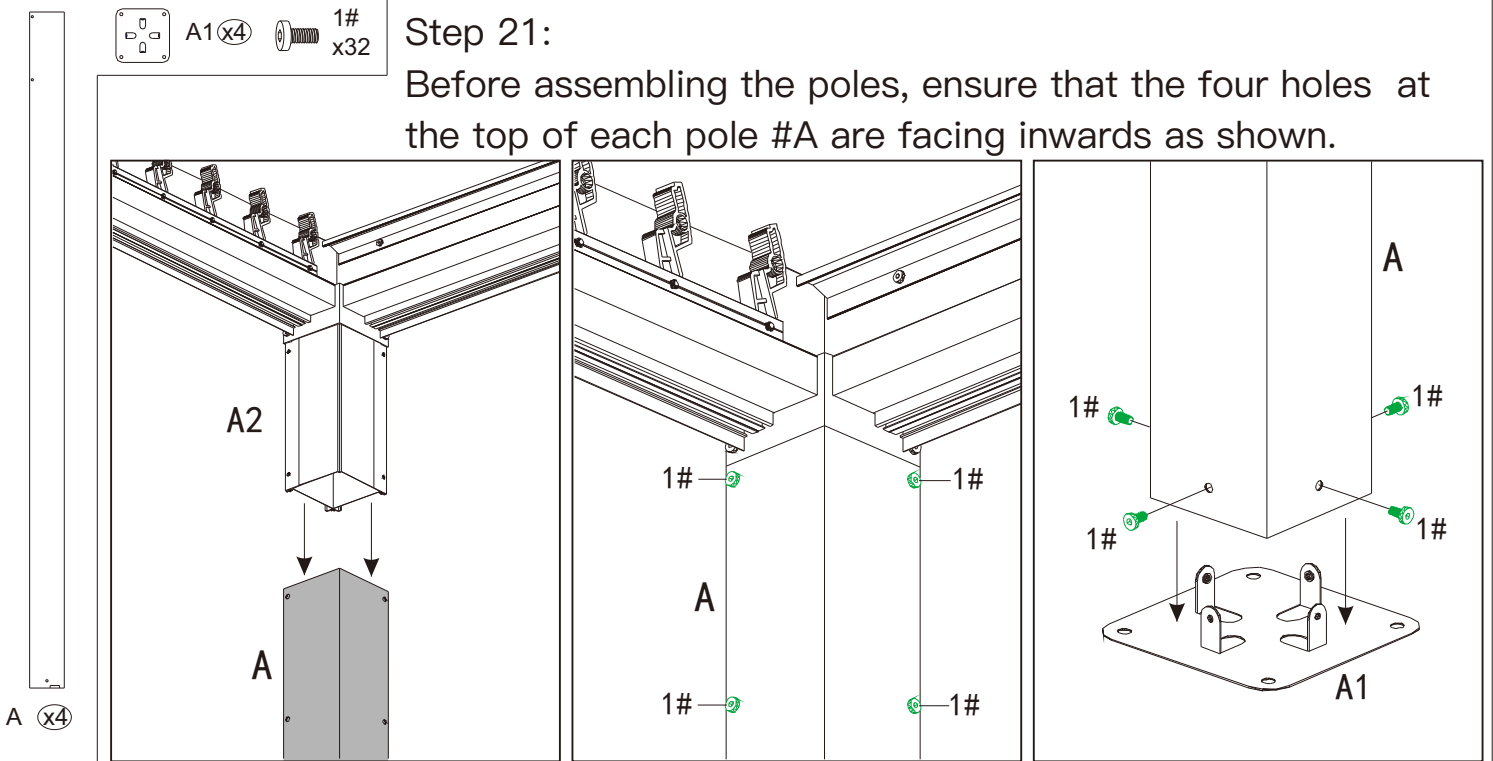
outside view



A1(x4) 1# x32

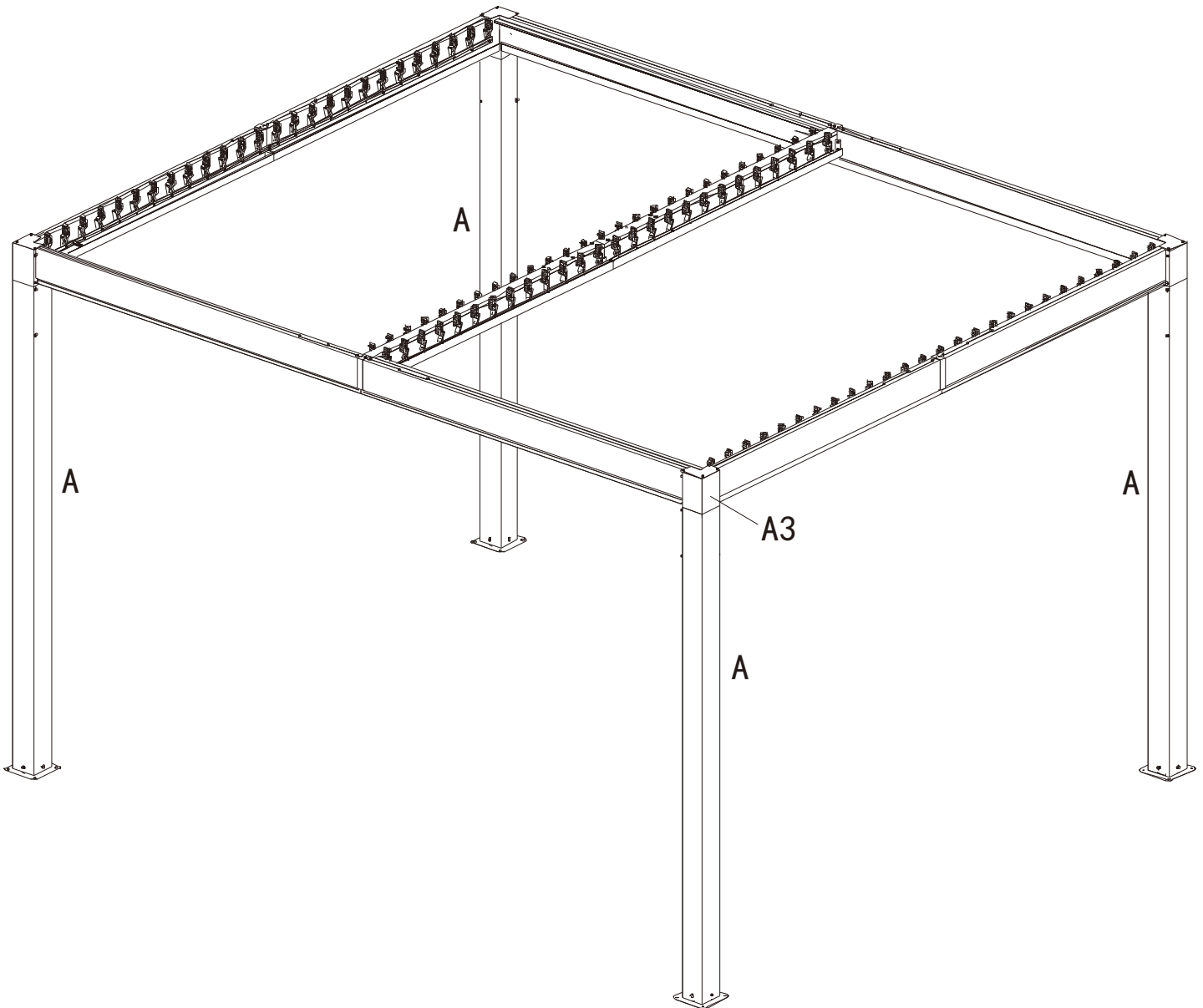
Step 21:

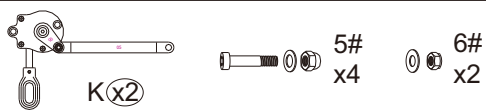
Before assembling the poles, ensure that the four holes at the top of each pole #A are facing inwards as shown.



inside view

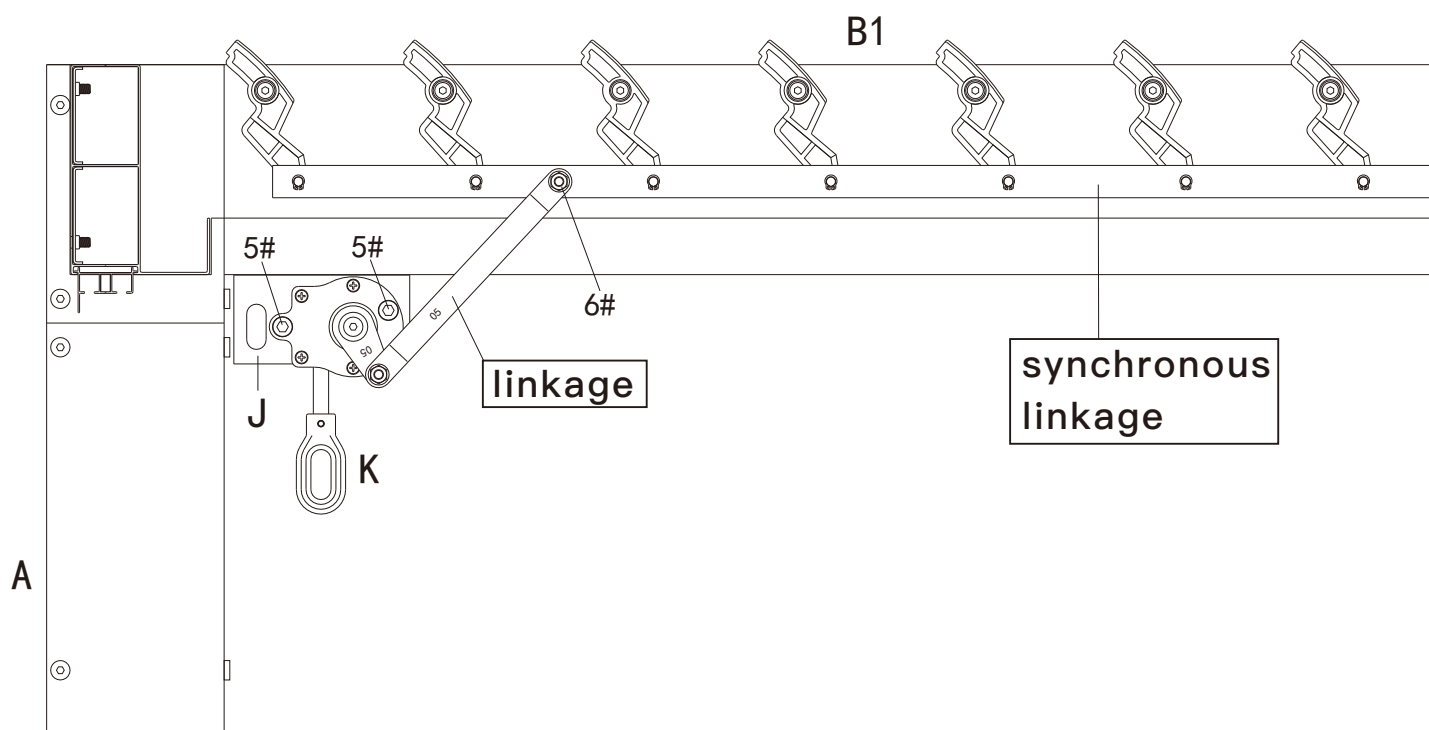
inside view





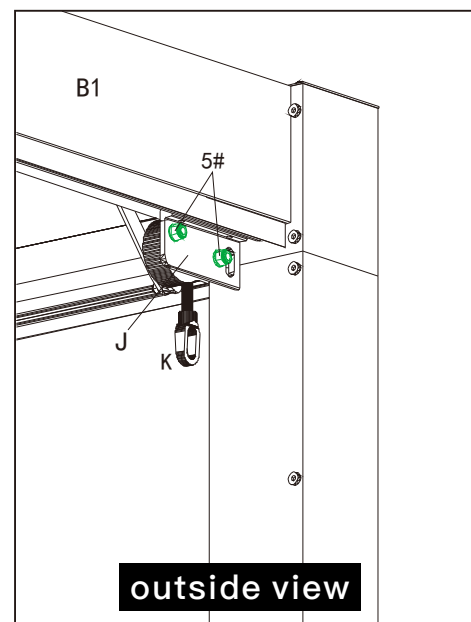
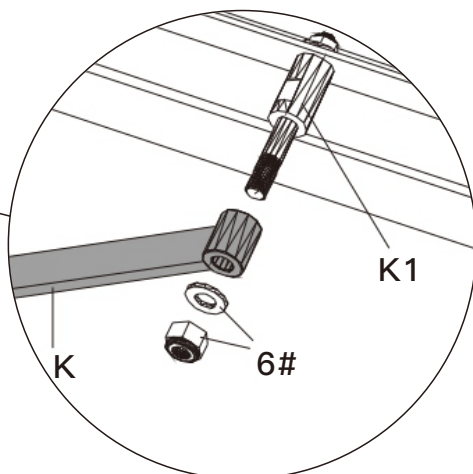
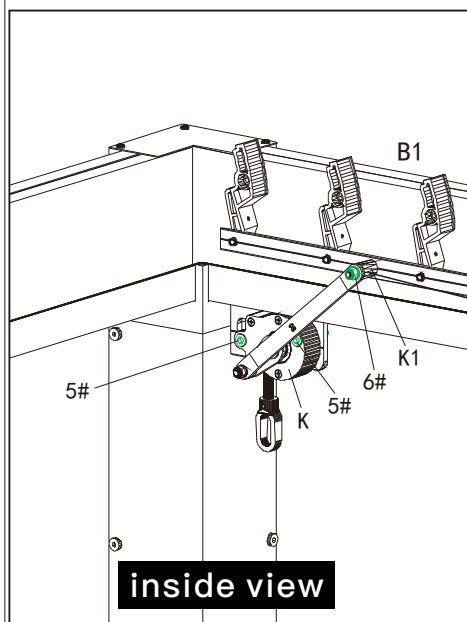
Step 22:

Use 2 bolts #5, gaskets and nuts to fix part #K to Bracket #J.



Step 23:

① Insert the end of connecting rod on Part#K into Part #K1 and secure with 1 Nut 6# and gasket.

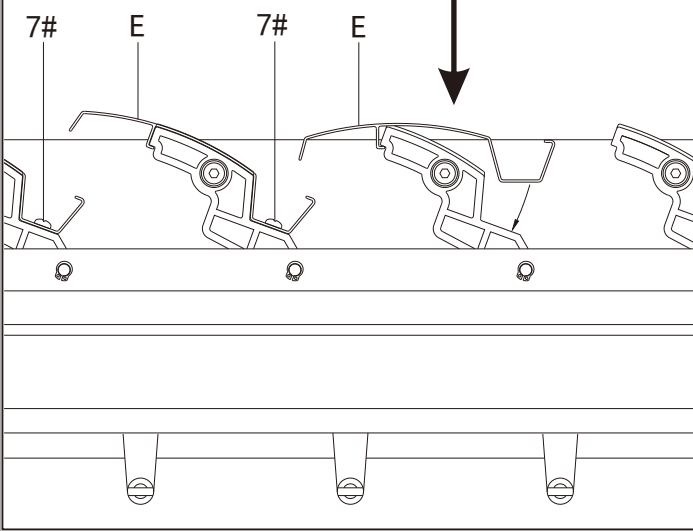


E(x52)

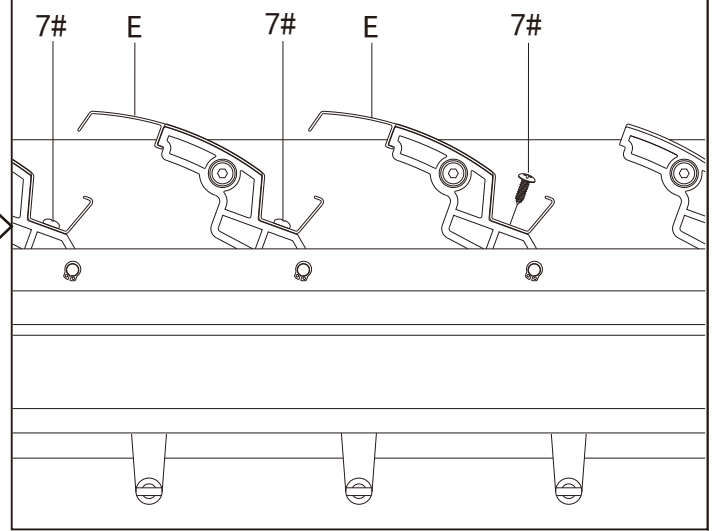
7#
x104

Z(x1)

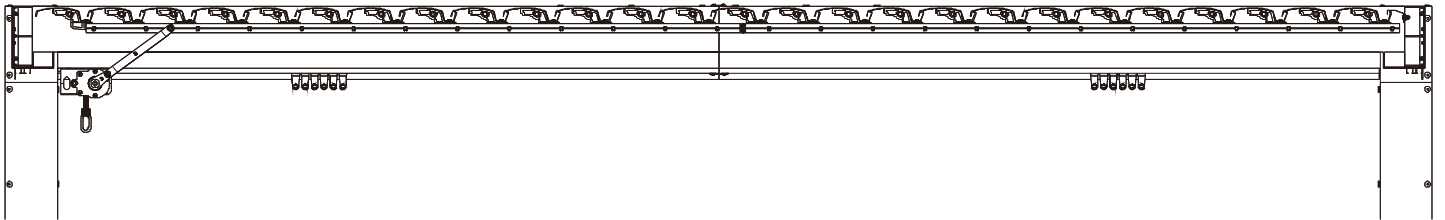
① Attach both ends of Louvered Panel #E to the plastic supports.



② Secure both ends of Louvered Panel #E with Self-Tapping Screws #7.

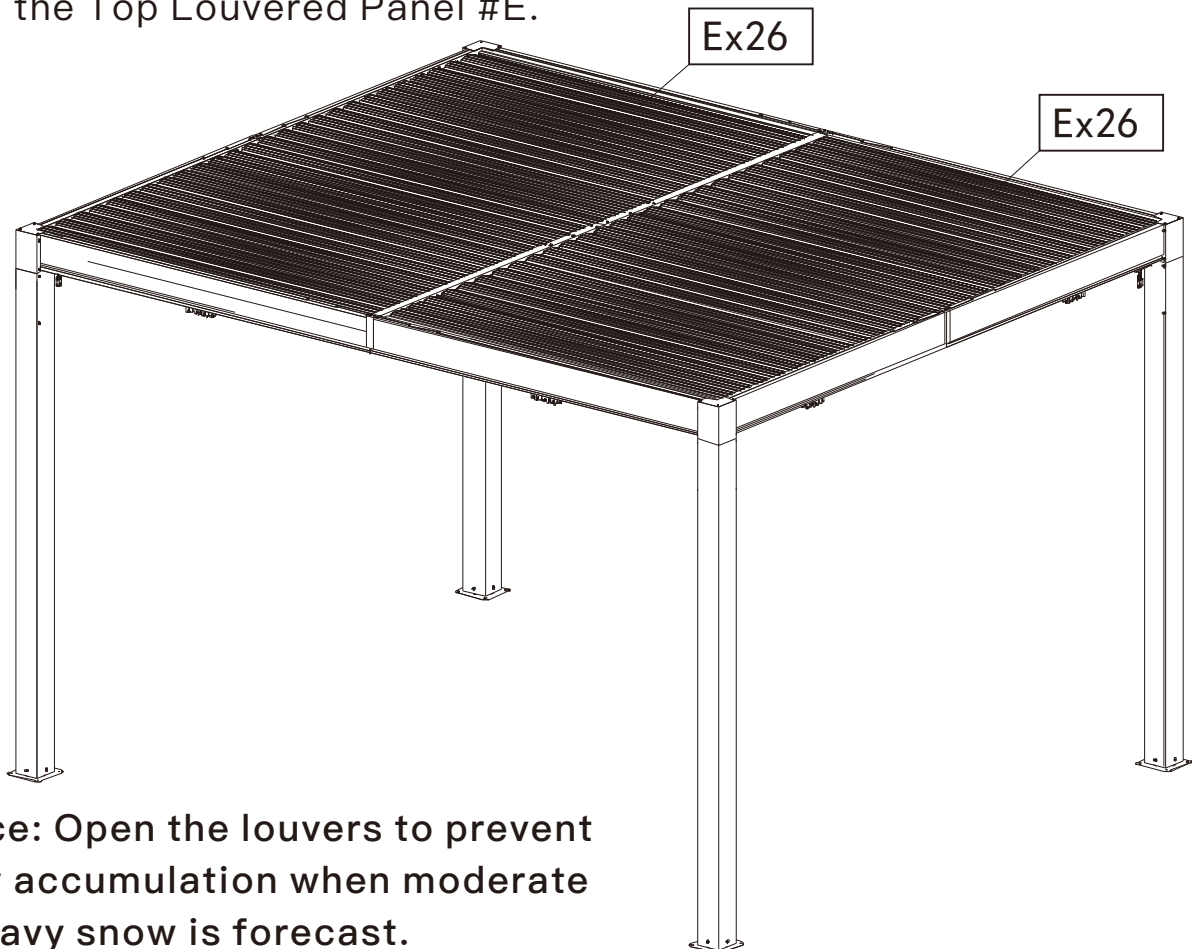


Ex26

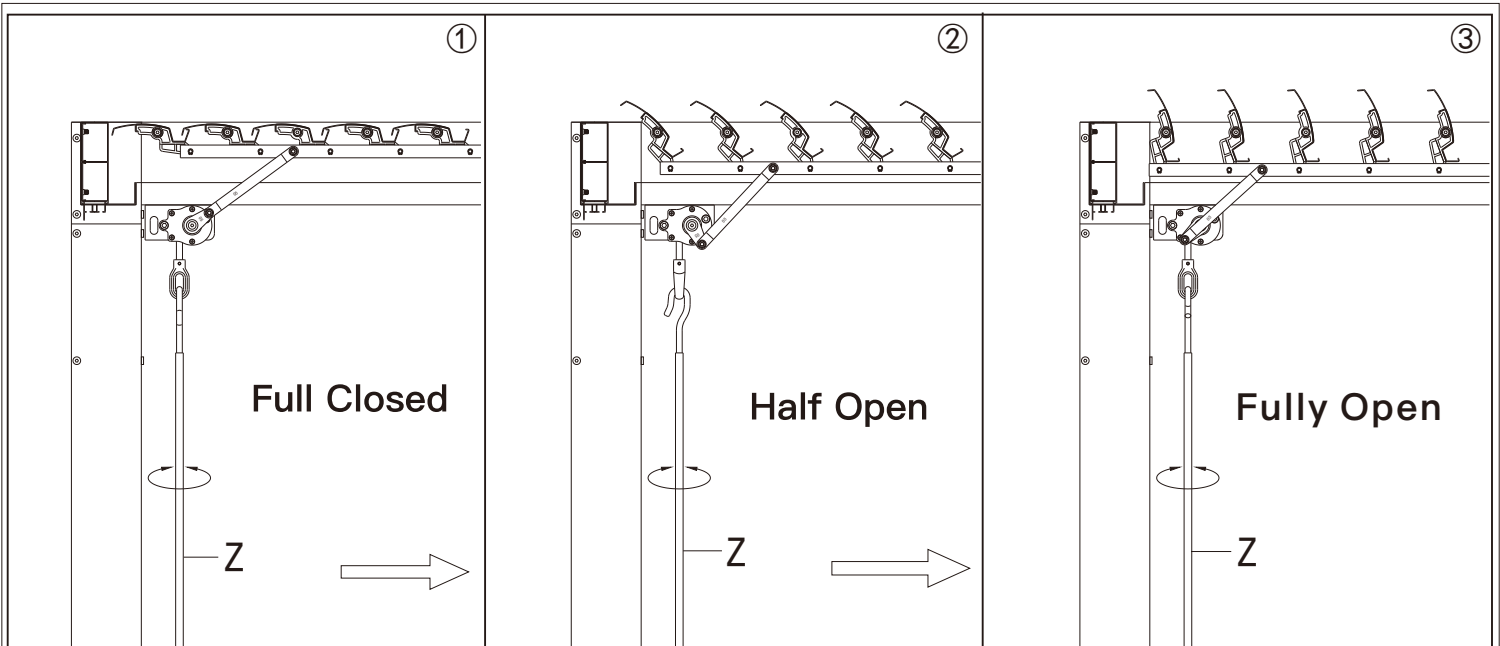


Step 25:

Install the Top Louvered Panel #E.

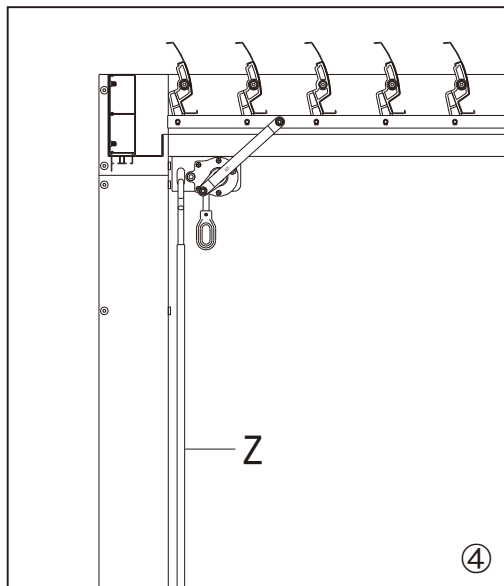
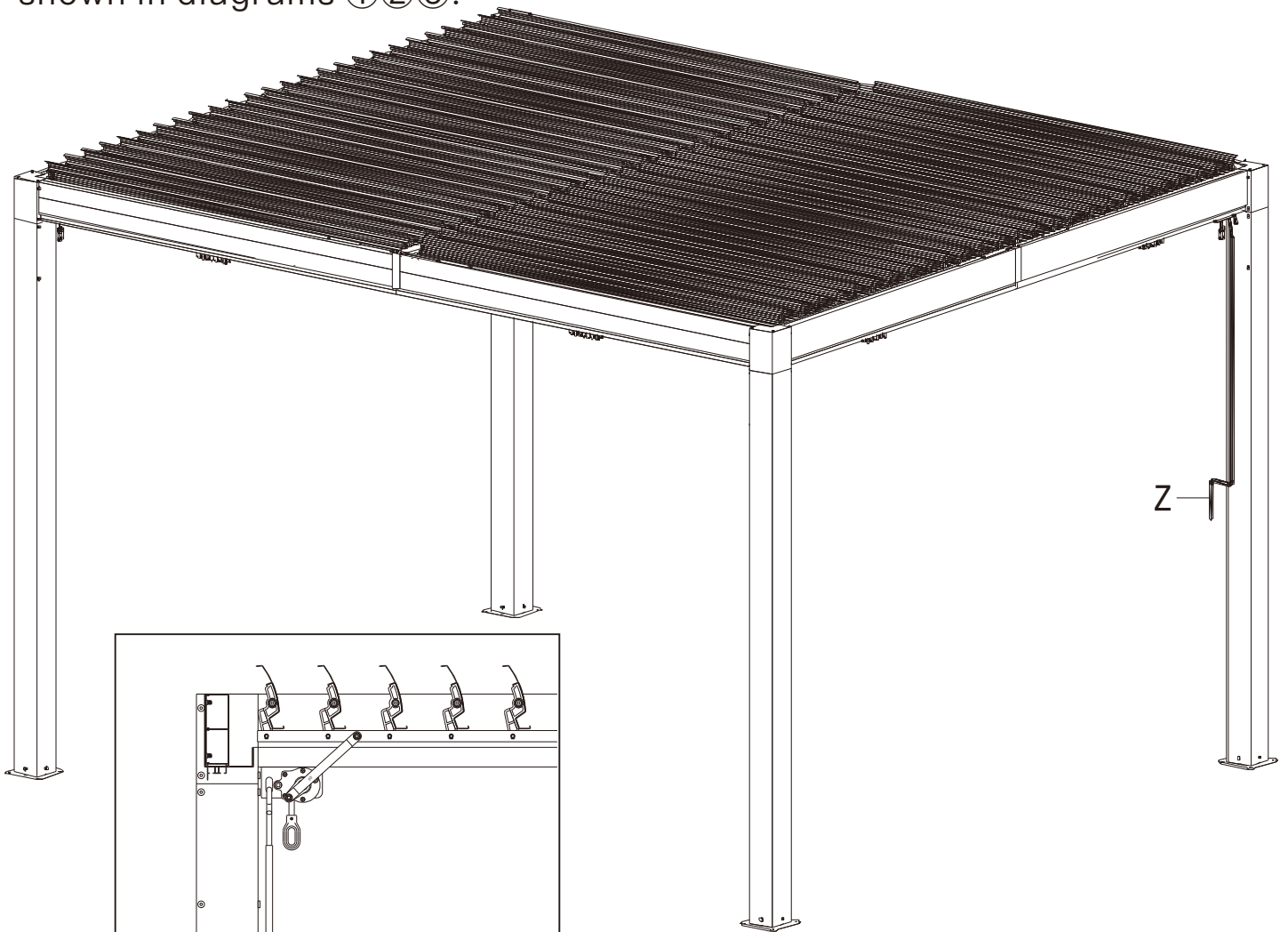


Notice: Open the louvers to prevent snow accumulation when moderate to heavy snow is forecast.



Step 26:

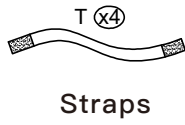
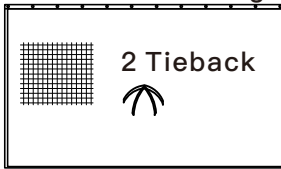
Turn the hand crank #Z to open or close the top louvers, as shown in diagrams ①②③.



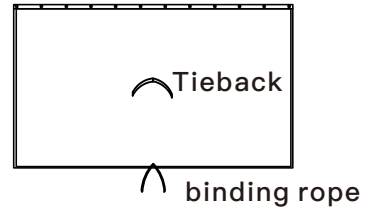
The hand crank #Z can be turned clockwise or counterclockwise. When not in use, #Z can be hung to the side, as shown in diagram ④.

Please confirm the louvers can be fully closed for waterproofness.

R(x4) Netting



S(x4) Curtain

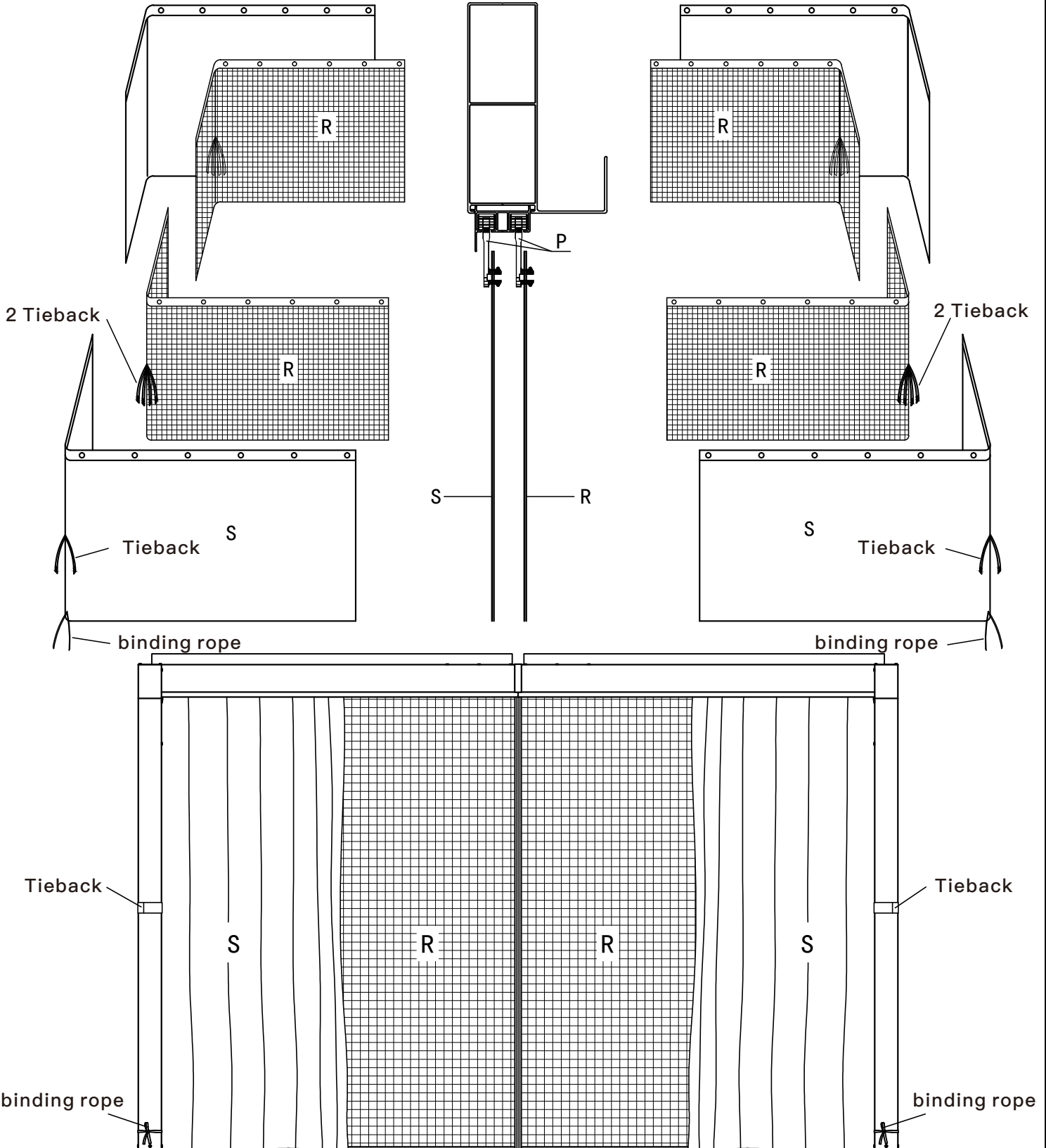


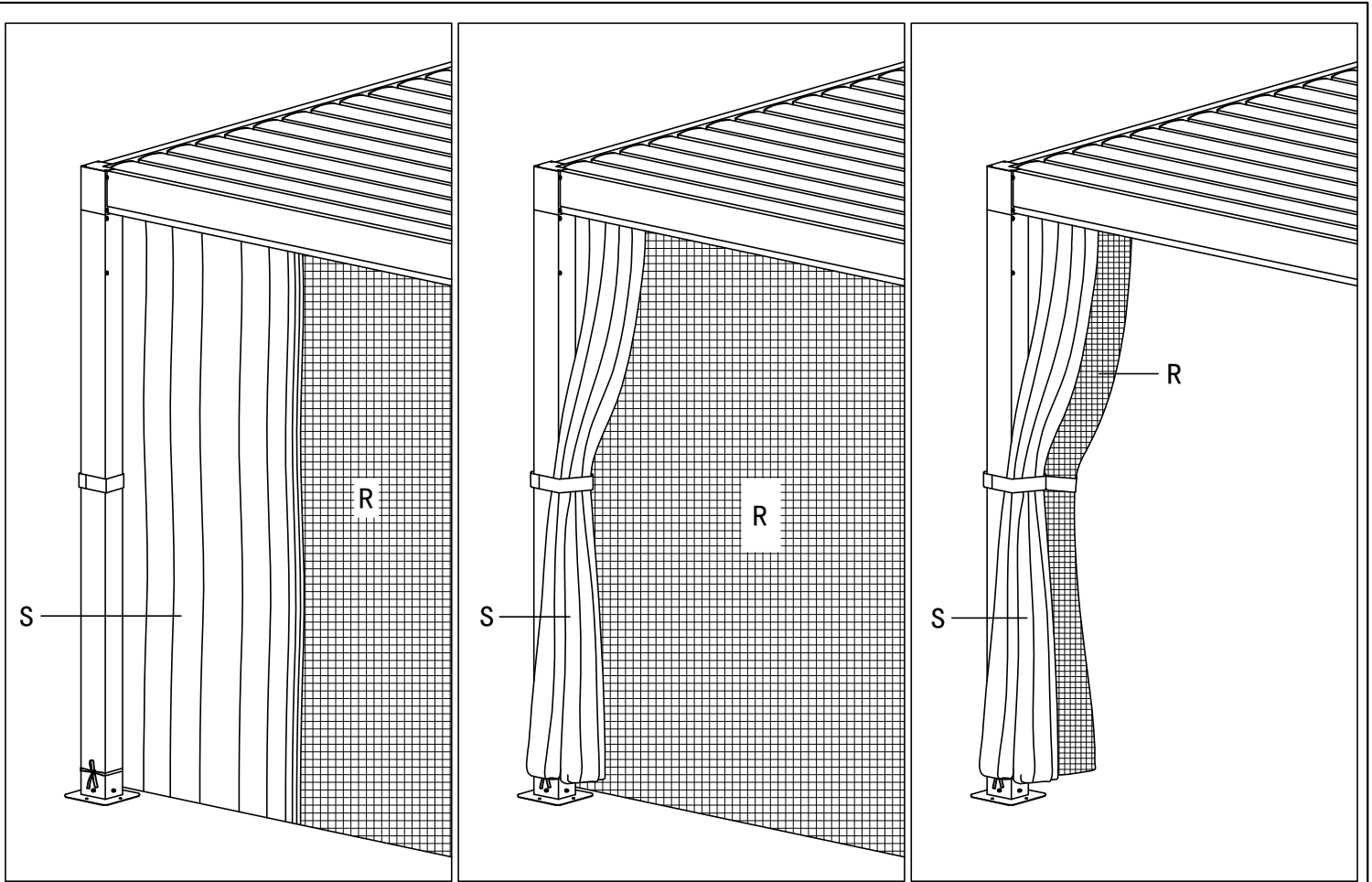
Step 27:

Install the netting on the inside and the curtain on the outside.

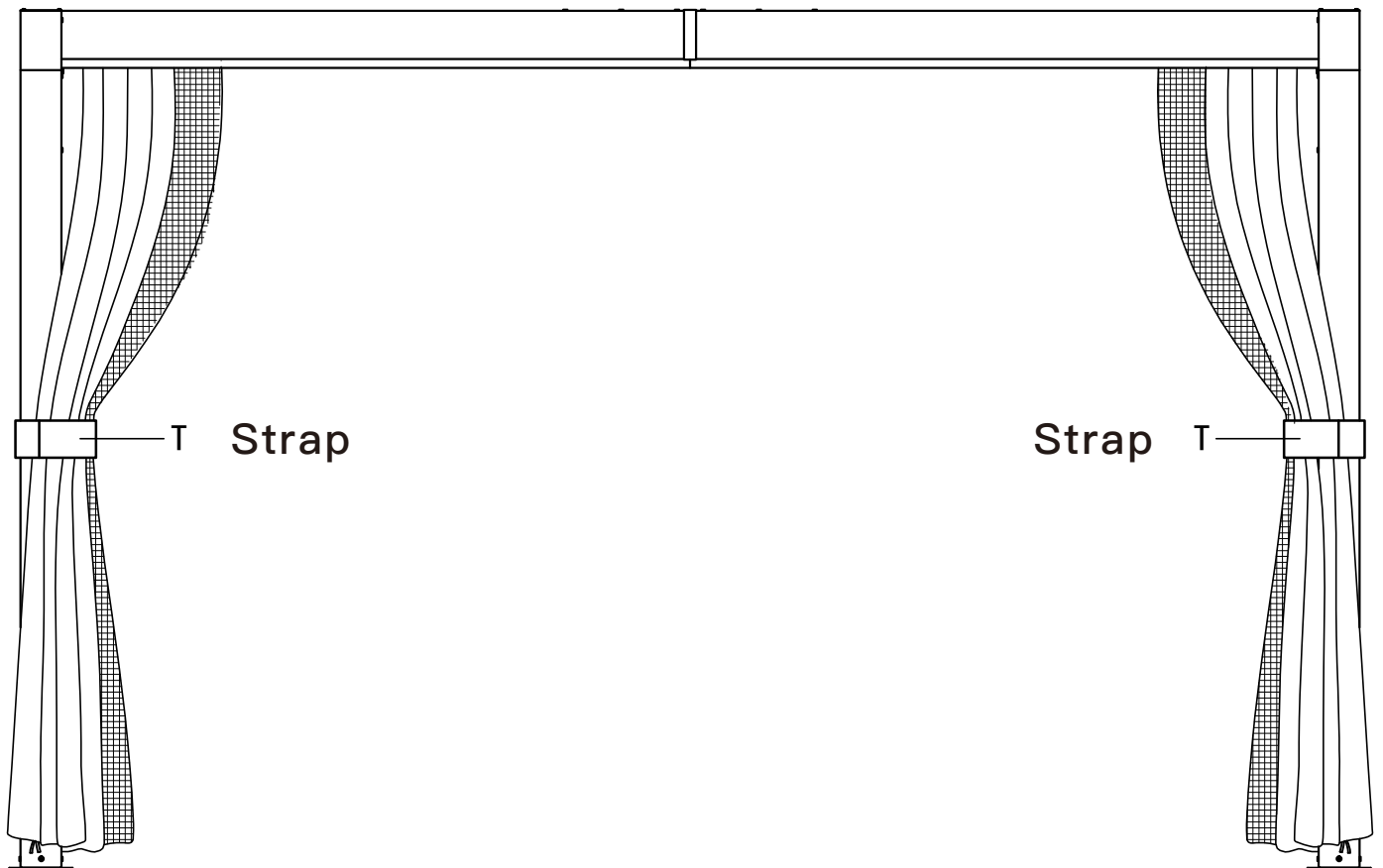
6 hooks each track s

S 6 hooks each track





Please tie the curtains to the poles when the wind speed exceeds 30 mph.





Thanks for your purchase.

At domi outdoor living, we believe in our products.

That's why we provide a 12-month warranty and friendly, easy-to-reach after-sales service. So, if you have any questions about our product or assembly, please feel free to contact us. We are here for you.

Support:  

After-sales contact email:

service@domioutdoorliving.com

Business cooperation contact email:

marketing@domioutdoorliving.com

Please have your order ID available if you reach out for support.

If you have damaged parts or product, please send us photos for an immediate response.