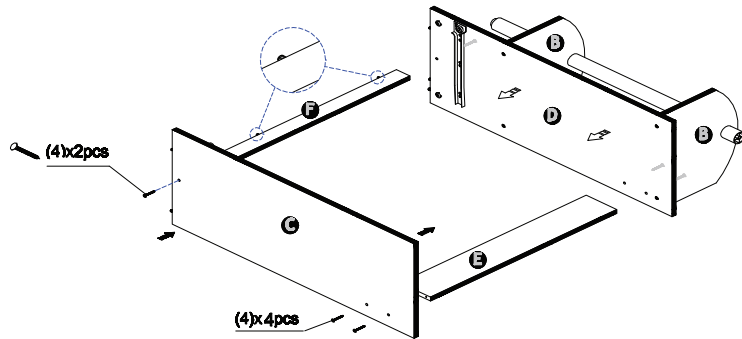


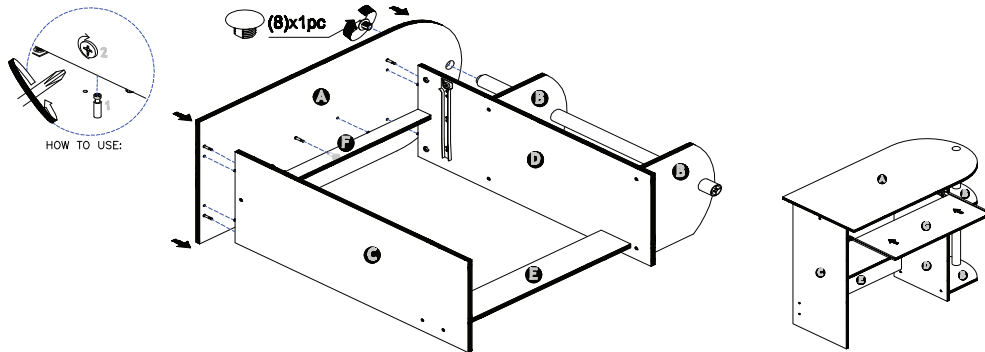
STEP 5

Attach Panel (C, E, F) to the assembled unit in Step 4 using Large Screw(4), as shown:

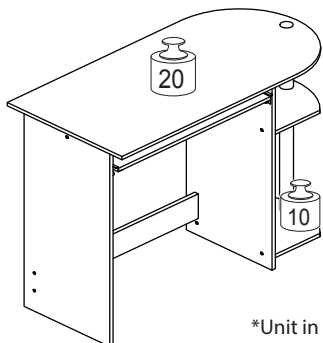


STEP 6

- 6.1 Attach Top Panel (A) to the assembled unit and tighten Mini Fix Cam (2).
- 6.2 Insert Top Cap (8) and slide in Keyboard Panel (G).



Recommended Maximum Weight



WARNING:

>This unit has been designed to support the maximum loads shown. Exceeding these load limits could cause sagging, instability, product collapse, and/or serious injury.

>DO NOT allow children to climb on unit.

>Put heavier items on lower shelves.



Assembly Instruction

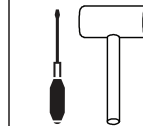
Furinno Computer Desks 14098R1

00:30

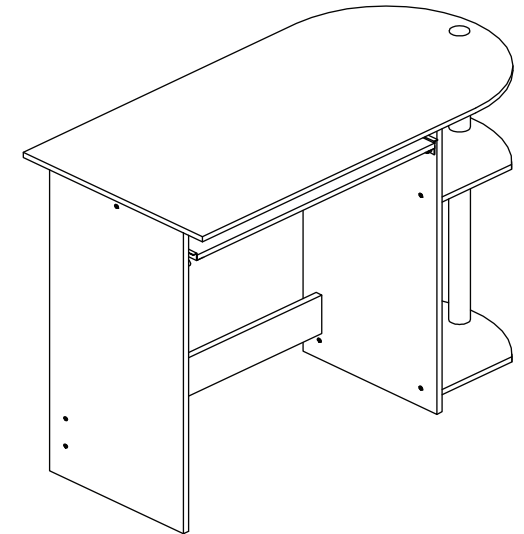
Approx. 30 minutes



Recomm. 2 Person



Tool Required



Customer Service

Tel/Fax: 281.500.9372












Toll Free: 773.299.8111 (Mon - Fri 9am - 5pm)








Email: support@furinno.com

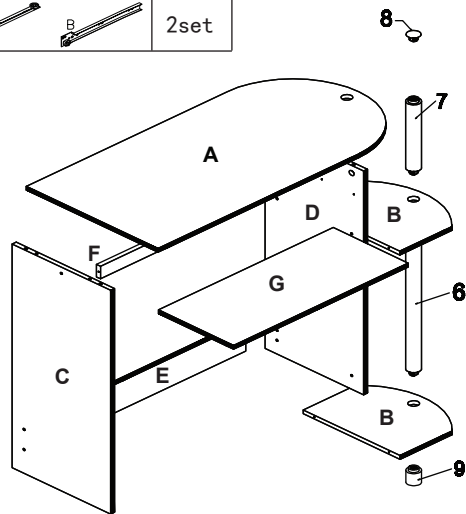
www.furinno.com

Find us on
f Facebook

Pinterest

No	Hardware List	Qty
1	Mini Fix Bolt 	5pcs
2	Mini Fix Cam 	5pcs
3	Small Screw 	10pcs
4	Large Screw 	10pcs
5	Dowel 	6pcs
6	Long Pole 	1pcs
7	Short Pole 	1pcs
8	Top Cap 	1pcs
9	Round Leg 	1pcs
10	Runner  	2set

No	Parts List	Qty
A	Top Panel 	1pcs
B	Shelf Panel 	2pcs
C	Left Side Panel 	1pcs
D	Right Side Panel 	1pcs
E	Back Bar 	1pcs
F	Top Bar 	1pcs
G	Keyboard Panel 	1pcs

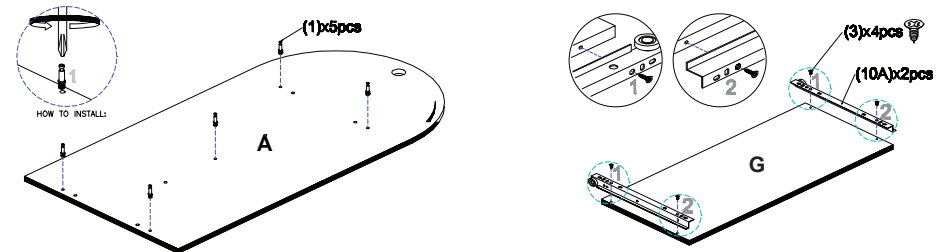


USEFUL HINTS BEFORE YOU START:

1. Read each step carefully before starting.
2. It is important that each step is performed in correct order to avoid difficulties.
3. Identify, sort and count the parts before assembly.
4. Assemble your furniture on packaging cardboard to prevent scratch or damage.
5. Clean the product with mild cleanser using soft damped cloth. Do not use harsh or abrasive cleanser.
6. Using incompatible hardware might cause damage to product.

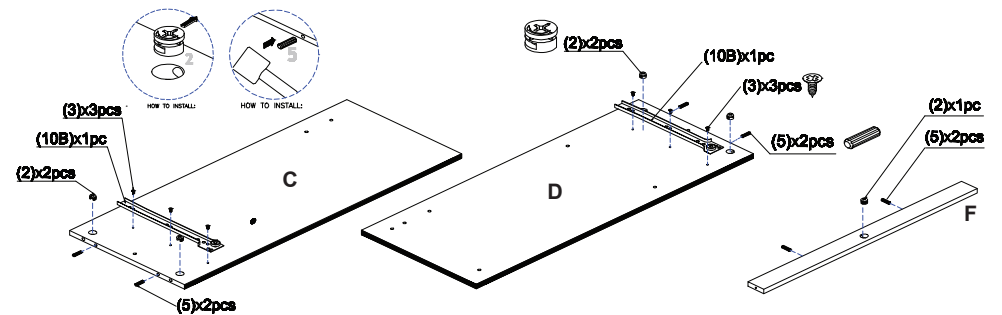
STEP 1

- 1.1 Install Mini Fix Bolt(1) on Panel (A).
- 1.2 Install Runner A(10) on Panel G with Small Screw(3).



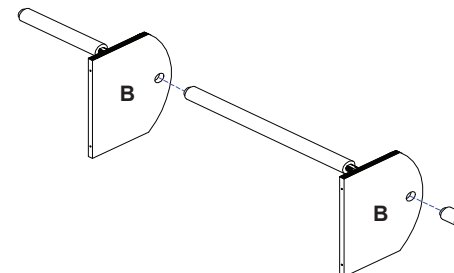
STEP 2

- 2.1 Install Runner B(10) on Panel C,D with Small Screw(3).
- 2.2 Insert Mini Fix Cam(2) and Dowel(5) into pre-drilled holes on Panel C,D & F.
Note: Arrow on Mini Fix Cam(2) should be pointing outward.



STEP 3

Attach Shelf Panel (B) with Pole (6&7) and Round Leg (9), as shown:



STEP 4

Attach Right Side Panel (D) to assembled unit in step 3 using Large screw (4).

