

Hyperion 33in. Double

PRODUCT CODE: TGD 3322 xx
DUAL MOUNT, DOUBLE BOWL
GRANITE KITCHEN SINK

STANDARD COLORS:
(sub code below for xx)
MB= MATTE BLACK
MT= METALLIC BLACK
CG= CONCRETE GRAY
MW= MATTE WHITE



FEATURES

- ❖ Granite Composite: 80% natural organic granite and quartz micro-particles with 20% resin for added strength and durability
- ❖ Sink has a fully finished lip for undermount or drop-in installation
- ❖ 3-1/2" center drains
- ❖ Chrome strainers included
- ❖ Garbage disposal compatible with standard flanges; extenders not required
- ❖ Pre-drilled for a center-set faucet; additional faucet holes are pre-scored from the underside and may be drilled per installation instructions as needed
- ❖ Double bowl with low divide
- ❖ Requires a minimum 36inch wide base cabinet

DIMENSIONS: NOMINAL DIMENSIONS (OUTSIDE) 33" x 22" x 9.5"

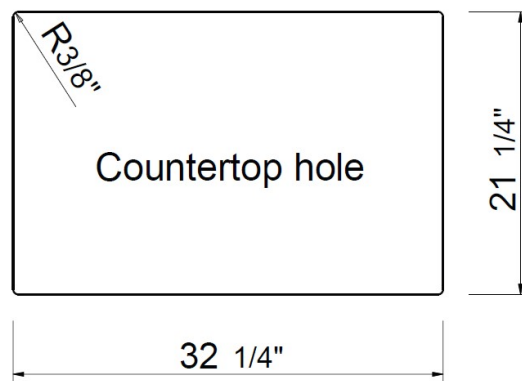
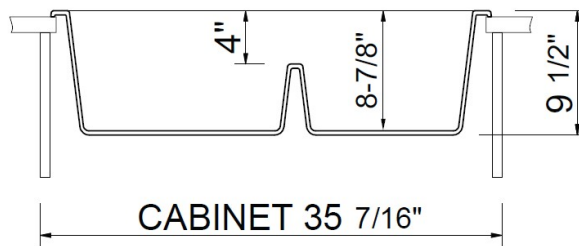
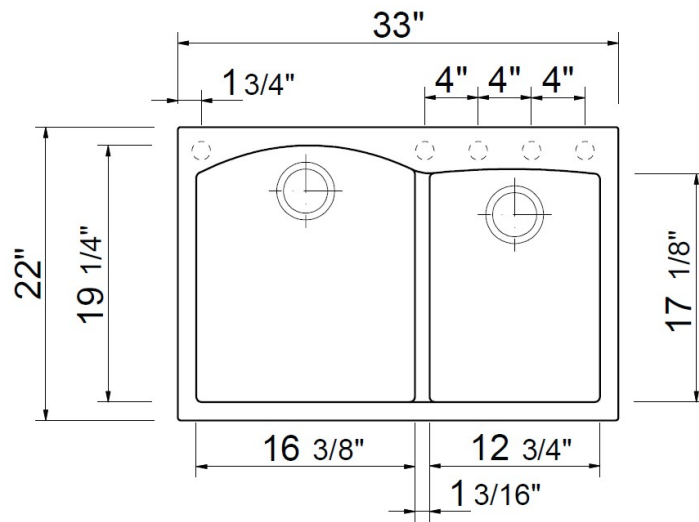
INSIDE BOWL DIMENSIONS
16-3/8" wide (left) / 12-3/4" wide (right)
19-1/4" front-to-back (left) / 17-1/8" front-to-back (right)
8-7/8" depth

COMPONENTS INCLUDED THE BOX: Sink, strainers and installation pack.

COMPLIANCE CERTIFICATIONS: Meets or Exceeds ASME A112.19.15 / CSA B45.5 / ANZI Z124.8

COMPATIBLE ACCESSORIES: Stainless Steel Sink Kitchen Strainer TLST (included)

DIMENSIONS



NOTES:

Refer to installation instructions supplied with kitchen sink for undermount, or drop-in installations. Templates available. Installation packs included.

CAUTION: Sink is heavy! Installer must provide adequate reinforcement for all load-bearing supports in accordance with installation instructions supplied with kitchen sink. Fittings not included with fixture and must be ordered separately.

IMPORTANT: Dimensions of fixtures are nominal and may vary within the range of tolerance established by ANSI standards. These measurements are subject to change or cancellation. No responsibility is assumed for use of superseded or voided pages.