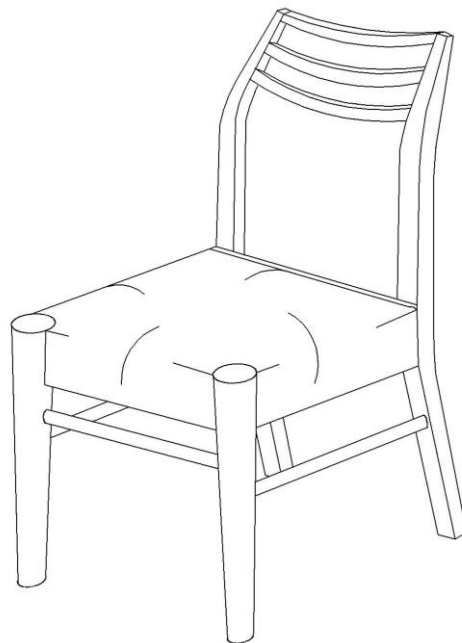


# Assembly Instructions




**Caution : You must read this before you proceed**

## CHAIR



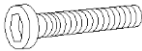
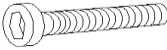


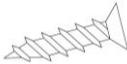



### Parts List

Label	Picture	Description	QTY
A	A line drawing of the chair backrest, showing the three horizontal slats and the curved frame.	Chair Back	1
B	A line drawing of the seat cushion, showing its rectangular shape and a small detail on the bottom edge.	Seat Cushion	1

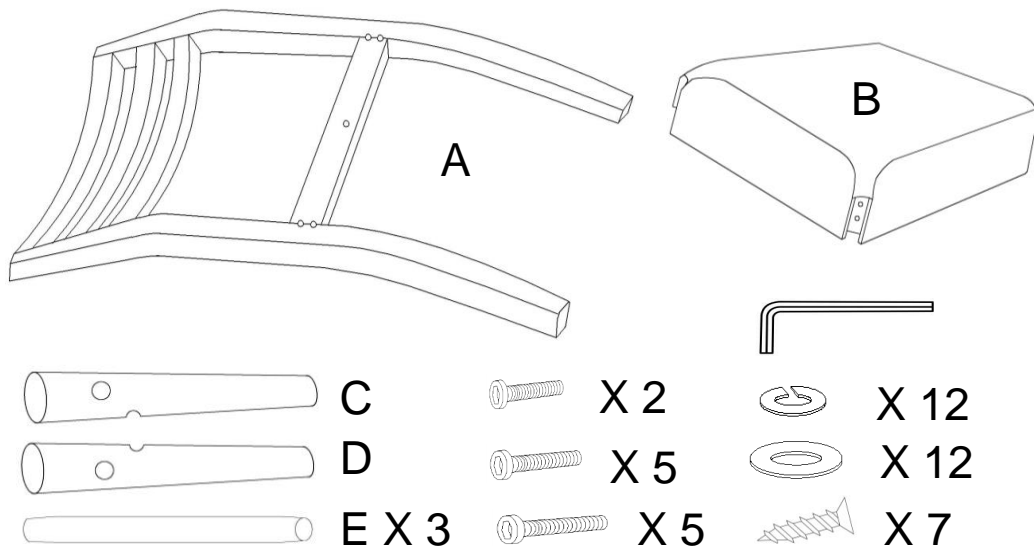
C		Right Leg	1
D		Left Leg	1
E		Connecting Rod	3

## Hardware

Label	Picture	Description	QTY
①		Allen Wrench (5mm)	1
②		Bolt (Φ5/16"x1-3/4")	2
③		Bolt (Φ5/16"x2-1/4")	5
④		Bolt (Φ5/16"x3-1/2")	5
⑤		Spring Washer (Φ5/16")	12
⑥		Flat Washer (Φ5/16"xΦ19x1.5mm)	12
⑦		Screw (Φ8x1-1/2")	7
⑧		Screwdriver (not provided)	1

# Assembly Preparation

Before Beginning Assembly:



- Read instructions, cover to cover-



- Have 2 adults on hand for assembly-



- Do not assemble on flooring or carpet-



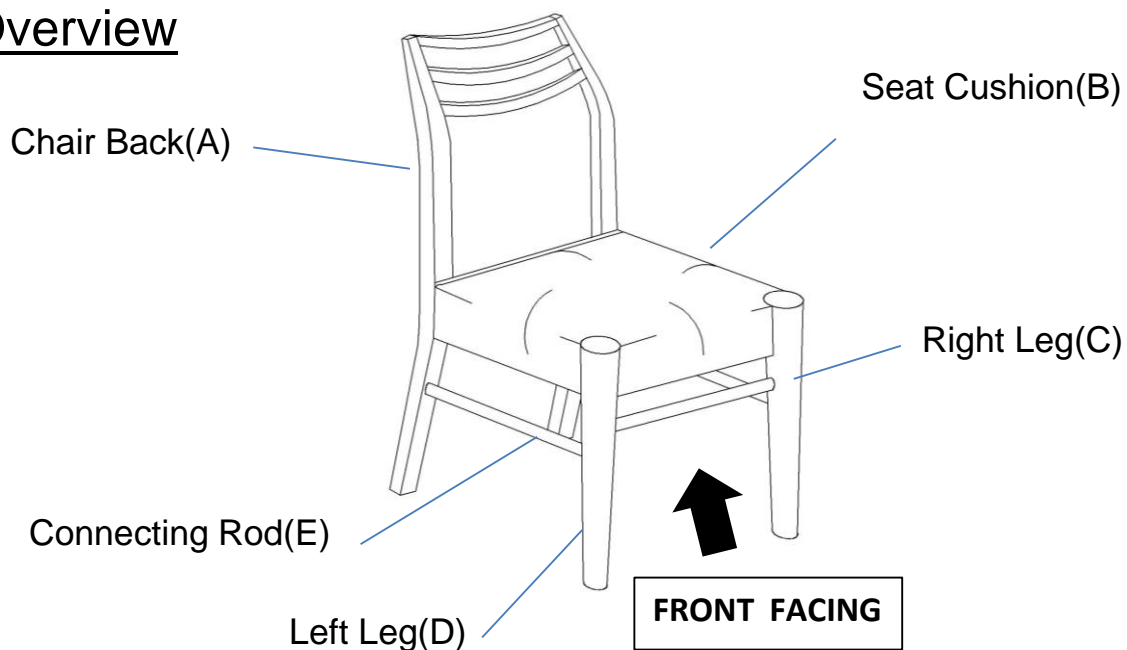
- Assemble on a clean non-marring surface (packing foam)-



- Save all packaging until finished-

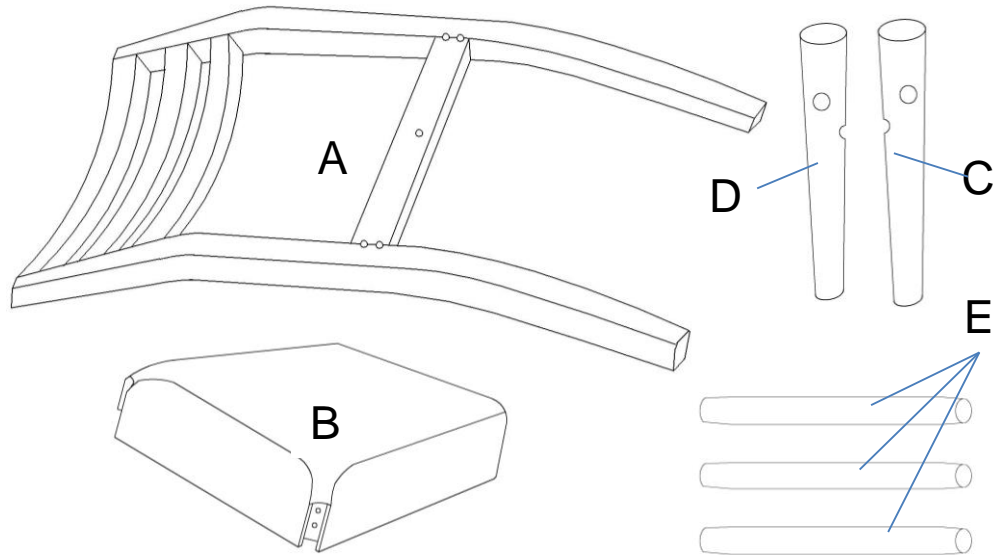
## Assembly Steps

### Overview



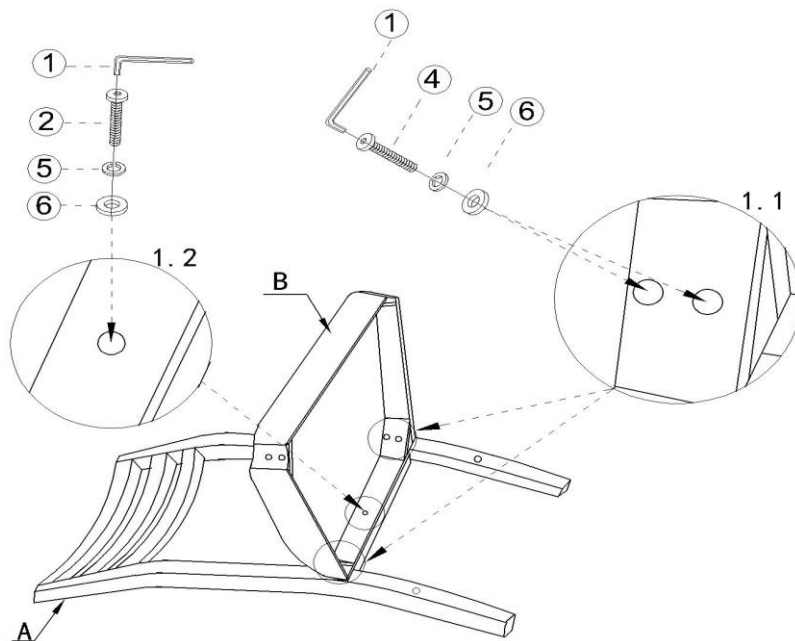
This Chair has multiple parts and may require up to some 30 minutes to assemble. To give you an overview of the chair parts, the above picture is to help you put the various parts into perspective. Please read through the instructions below to familiarise yourself with the parts and steps before assembly.

### Step 1



Place all Parts on a clean and flat surface.

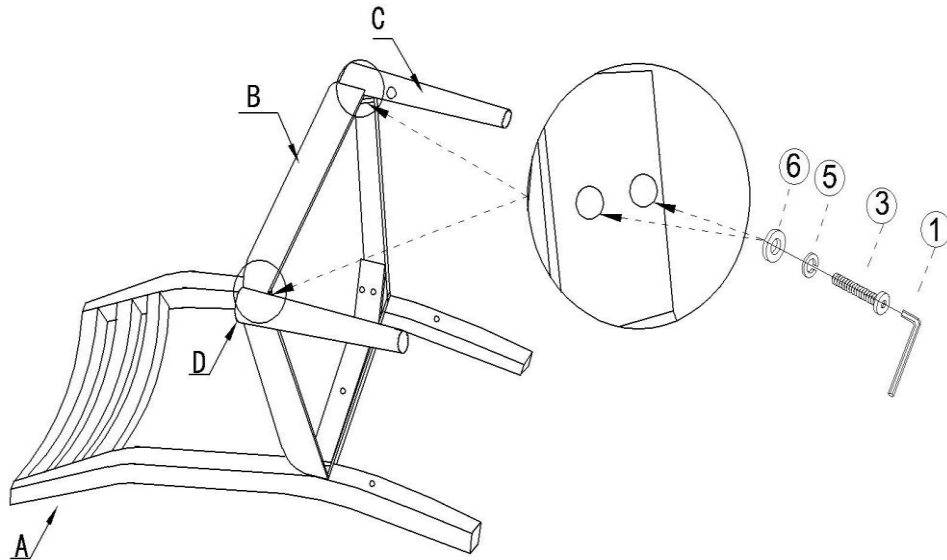
### Step 2



1.1 Install the Seat Cushion (B) using the Allen Wrench (①), Bolts (④), Spring Washers (⑤) and Flat washers (⑥), as pictured above.

1.2 Install the Seat cushion (B) using the Allen Wrench (①), Bolts (②) Spring Washers (⑤) and Flat Washers (⑥), as pictured above.

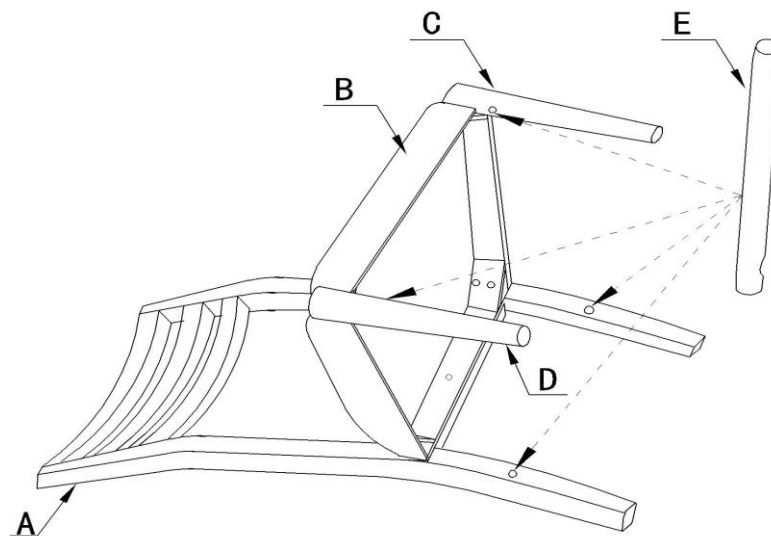
### Step 3



Install the Right Leg (C) and Left Leg(D) using the Allen Wrench (①), Bolts (③), Spring washers (⑤) and Flat washers (⑥), as pictured above.

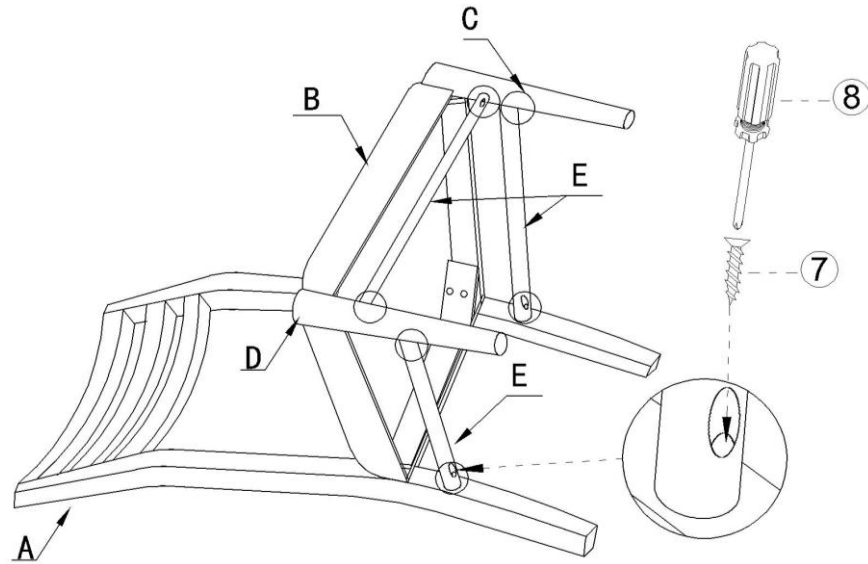
**Do not fully tighten the Bolts at this time.**

### Step 4



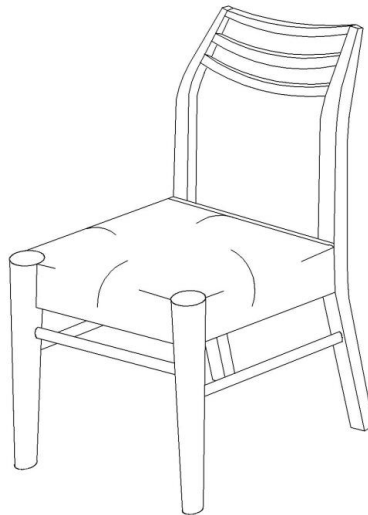
Connect the Connecting Rod(E) to Chair Back(A) & Left Leg(D), Chair Back(A) & Right Leg(C), Right Leg(C) & Left Leg(D) as shown above.

## Step 5



Use the Screwdriver (⑧) and Screws (⑦) to affix the Connecting rods (E), as shown in the picture above.  
Finally, tighten all the bolts and screws sequentially.

## Step 6



**Caution:** When tightening these bolts and screws, tighten sequentially. Do not fully tighten one bolt or screw then move to the next one, as this can lead to unevenness.

If there are any wobbles after tightening, loosen the bolts and screws and proceed to tighten again sequentially.

Ensure all bolts and screws are fully locked into position.

Your Chair is ready for use.

This Chair can only be used on a flat, level surface.

## Care & Maintenance



- Furniture may scratch floors. We recommend using furniture pads to protect your floors.



- Do not put hot items directly on furniture surface.



- Do not clean furniture with harsh cleansers or polish.



- Do not place furniture under direct sunlight.



- Do not place furniture near heating or cooling vents.



- Do not write on furniture without a padded barrier to protect the surface.



- Do not place furniture outside . For indoor use only.



- Not for commercial use. For residential use only.



- Stains may be removed with mild soap solution and damp cloth.



- Children should not climb or jump on the furniture.



- Dust and pick-up spills using a clean, non-colored, lint-free cloth.