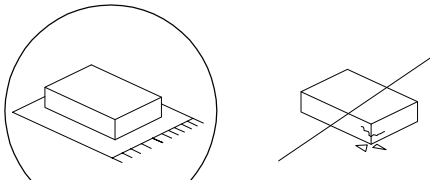

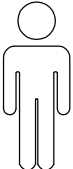
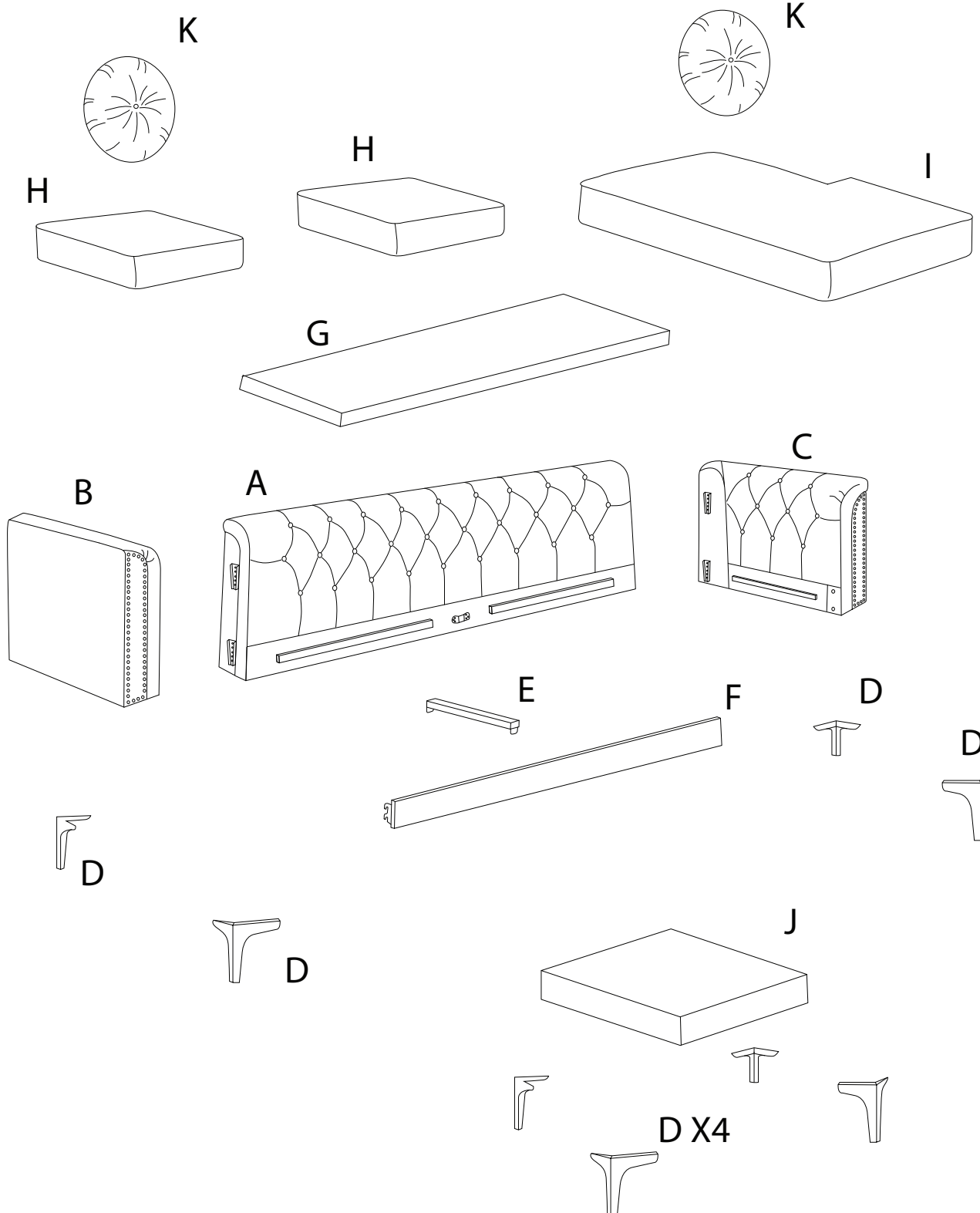
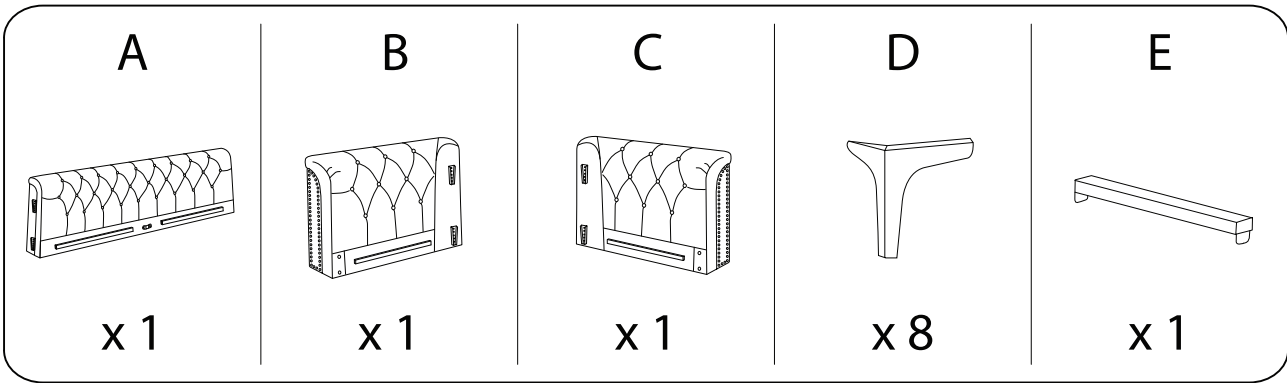
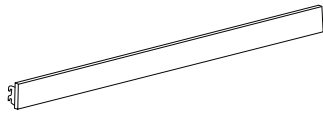

		40'
		
		1

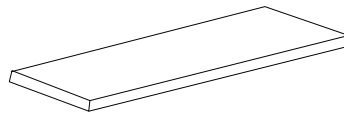


F



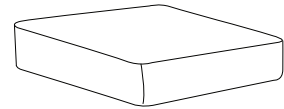
x 1

G



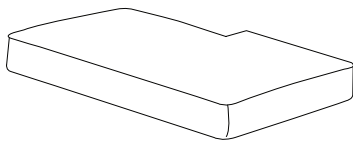
x 1

H



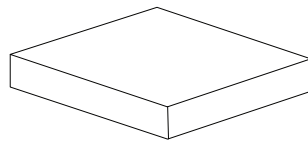
x 2

I



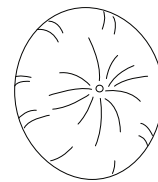
x 1

J



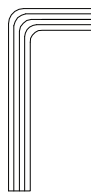
x 1

K



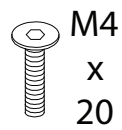
x 2

L



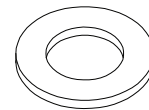
x 1

M



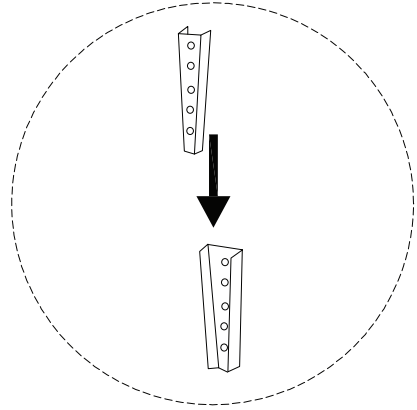
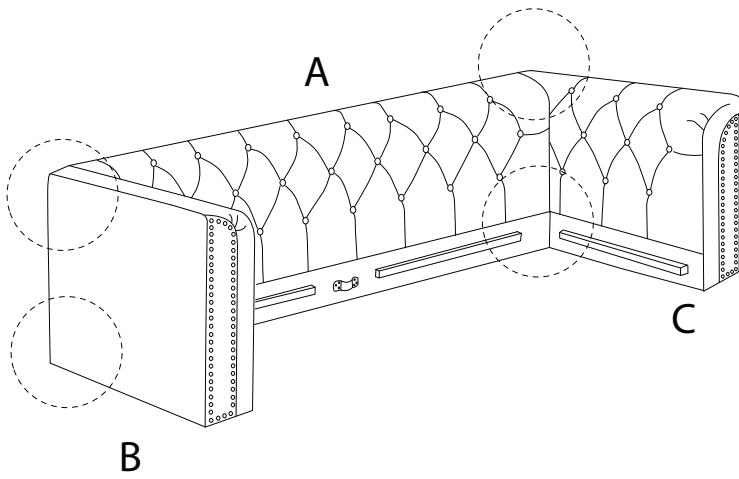
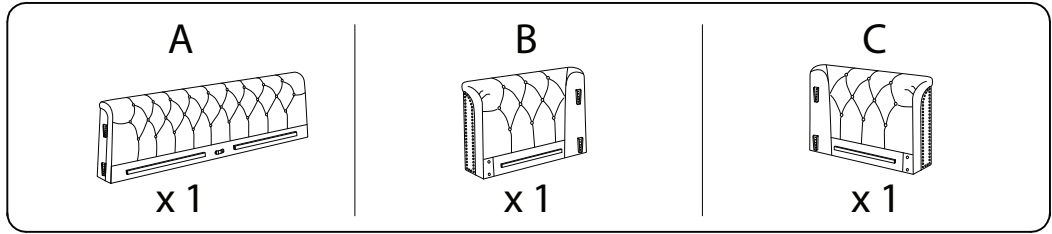
x 16

N

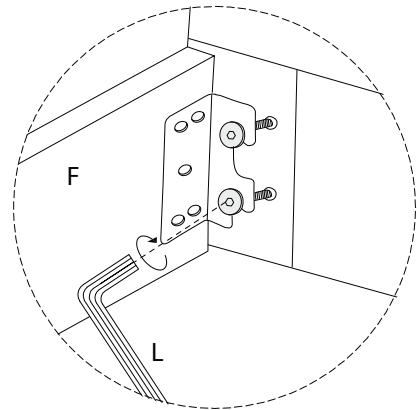
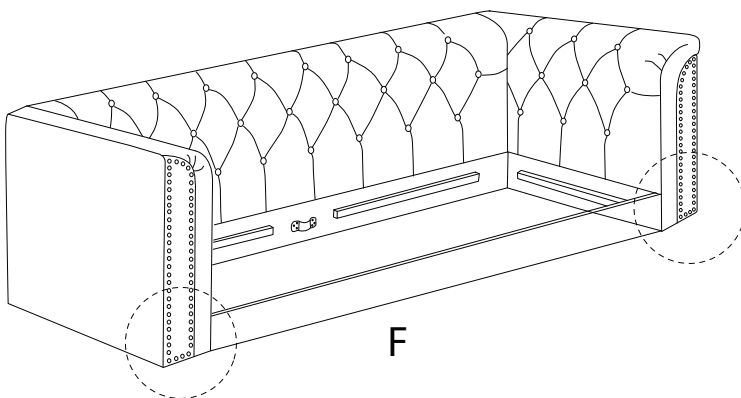
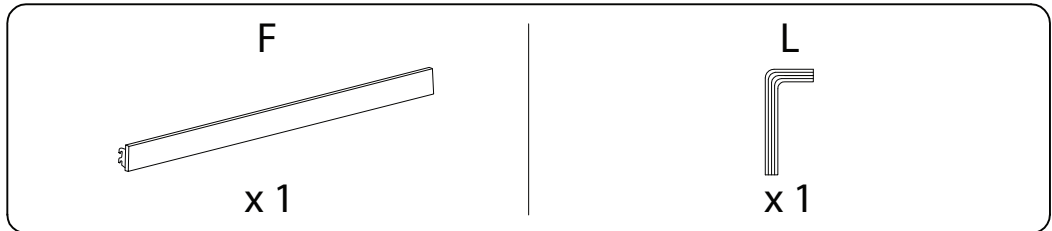


x 16

1

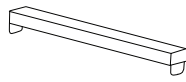


2

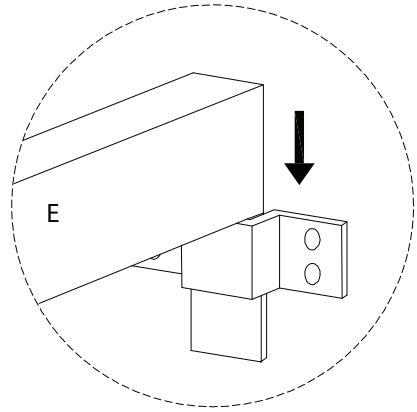
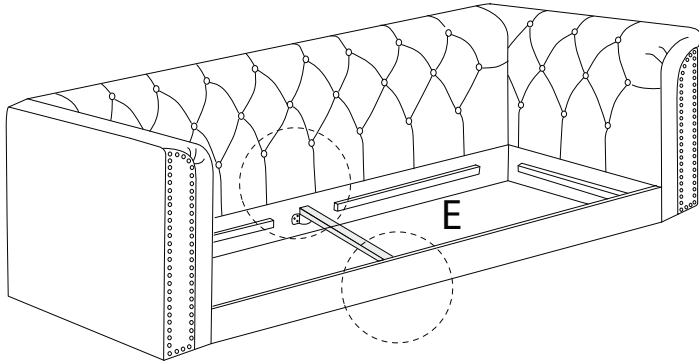


3

E

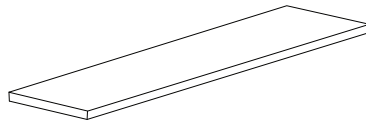


x 1

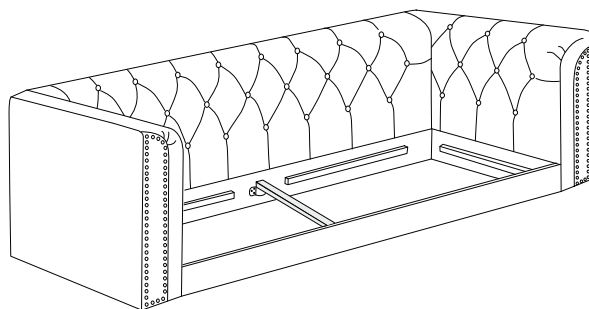
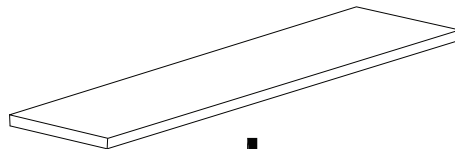


4


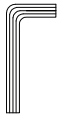
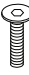
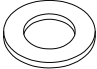
G

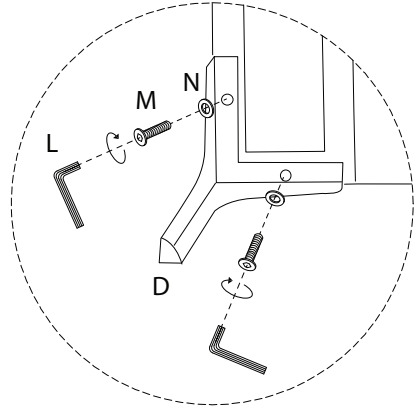
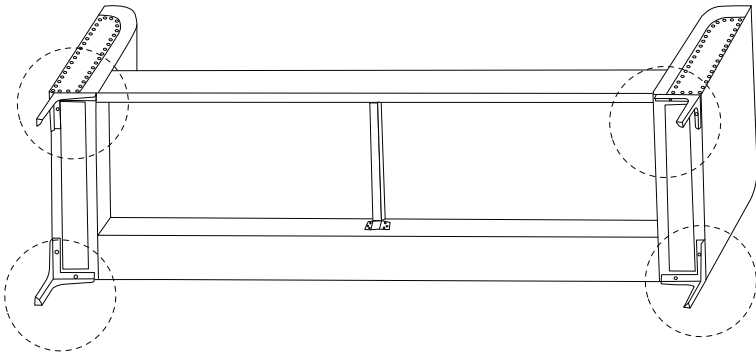


x 1


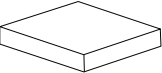


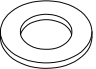


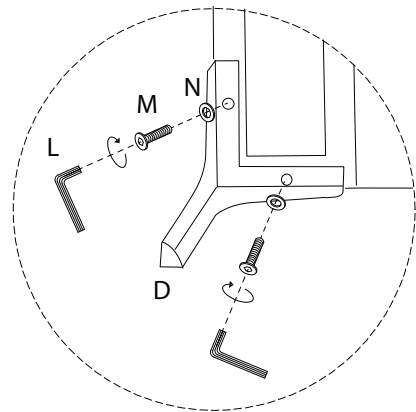
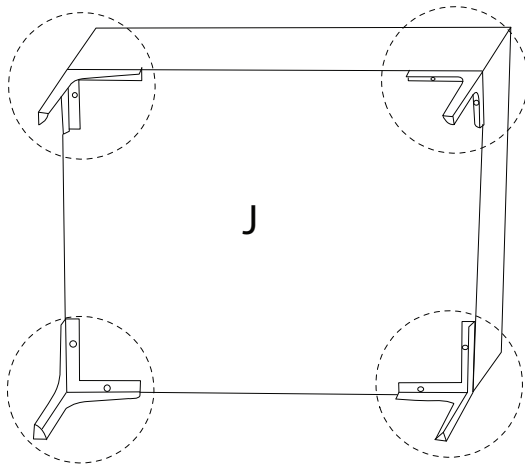
5

D  x 4	L  x 1	M  x 8	N  x 8
---	---	--	---

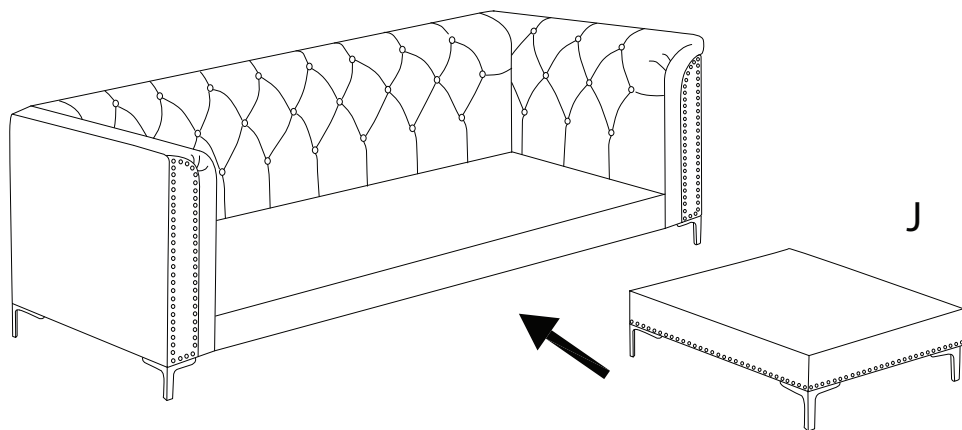


6

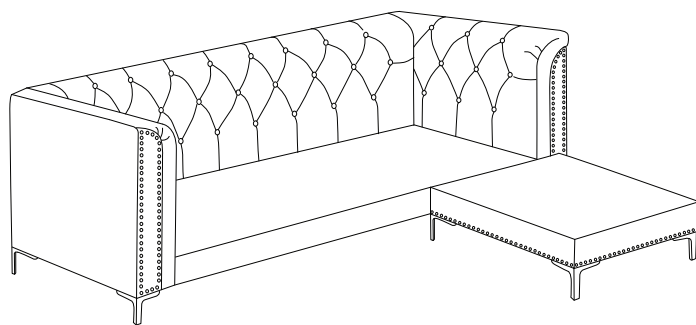
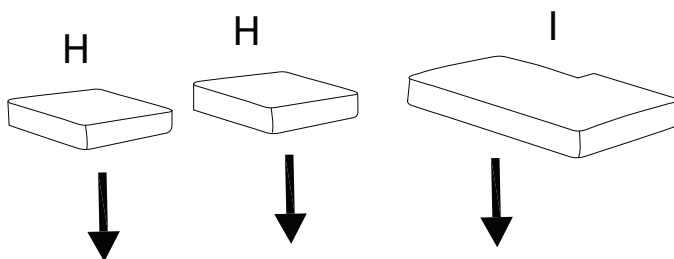
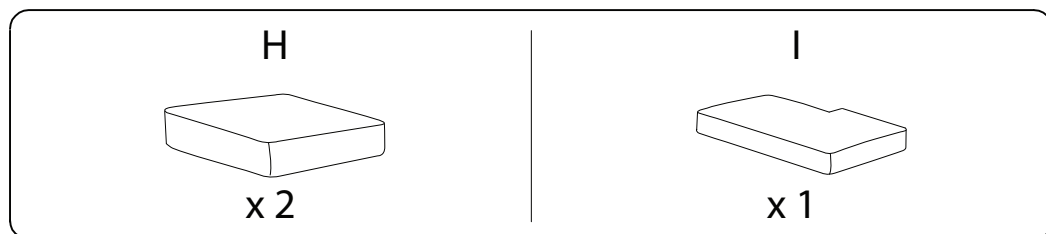
D  x 4	J  x 1	L  x 1	M  x 8	N  x 8
---	---	---	---	---



7

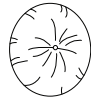


8



9

K

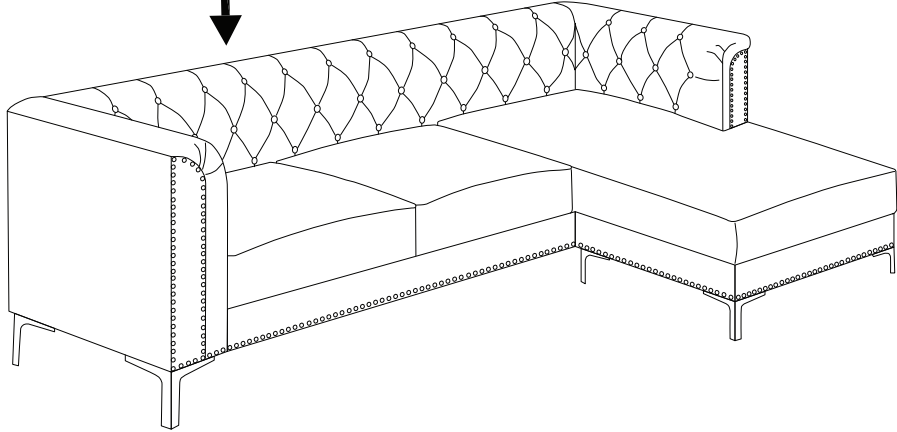


x 2

K



K



!

