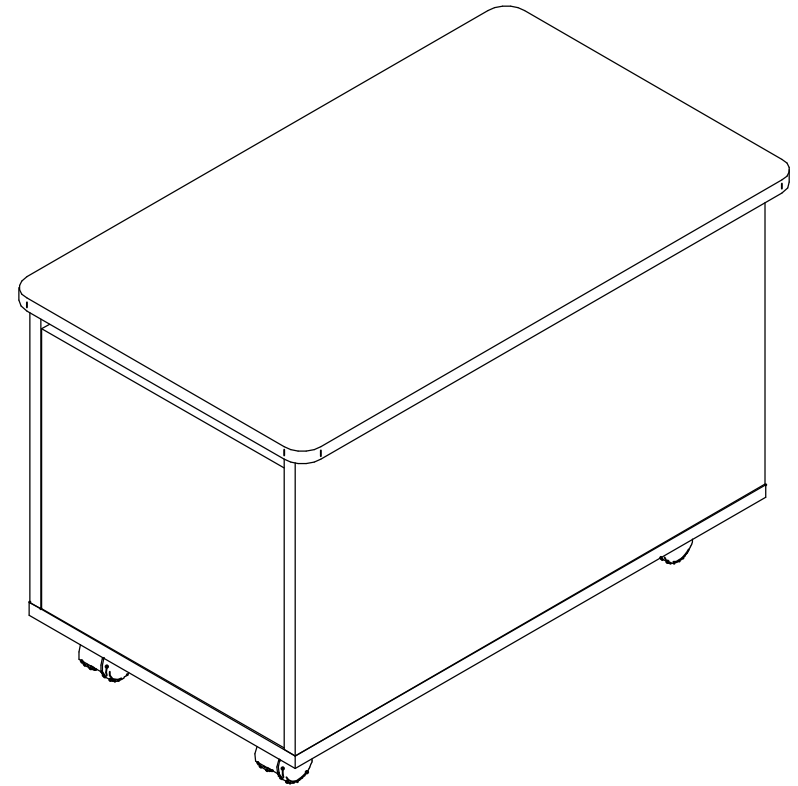


ART *in* FURNITURE

"Creative Solutions for Your Home"

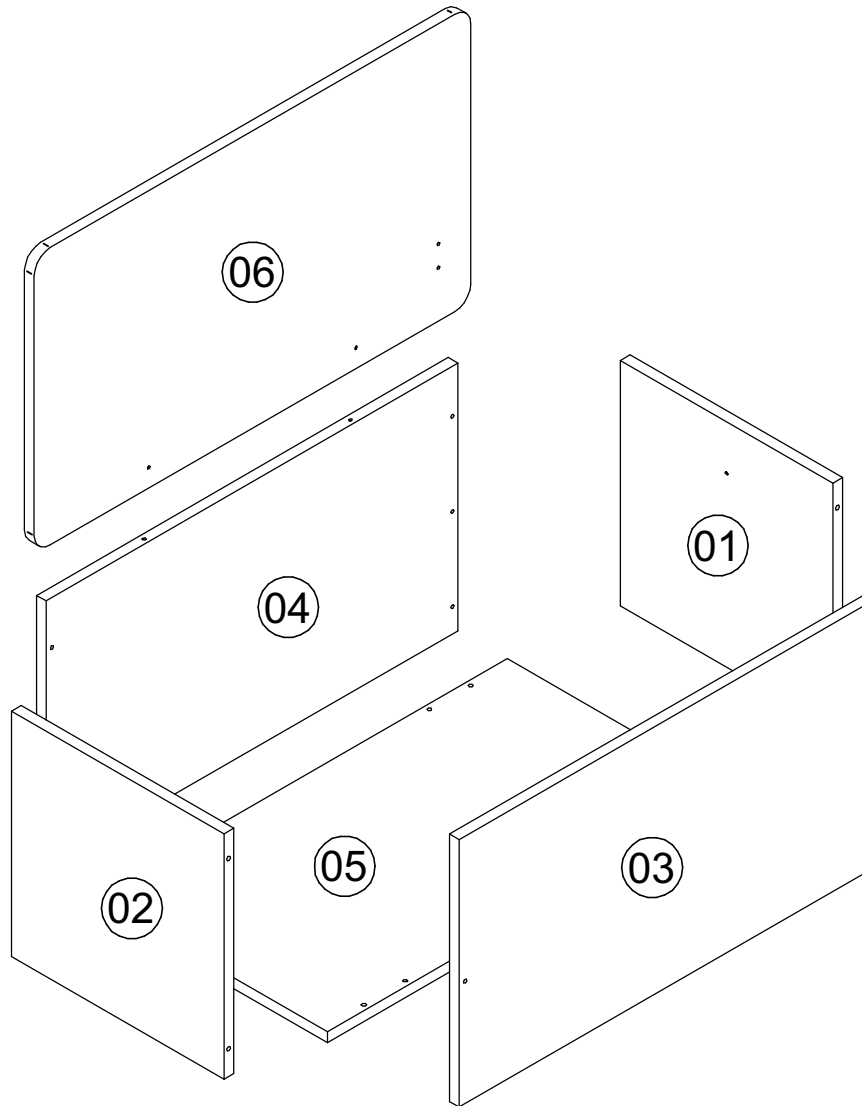


STORAGE CHEST



Thank you for choosing Art in Furniture!

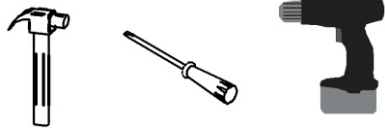
We're thrilled to have you as a customer and to be part of your home.
Your trust means the world to us, and we hope you'll think of us for future home furnishing needs.
Your feedback is incredibly valuable as we continue to design products that bring your dreams to life.
Visit: <https://artinmoveis.com.br/en/home-english/> to share your experience with us!


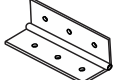
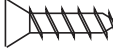
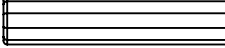


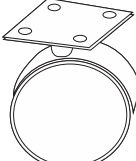



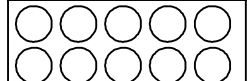
COD	DESCRIPTION	DIMENSIONS	QTY
01	RIGHT SIDE	13"x 13"x 5/8	01
02	LEFT SIDE	13"x 13"x 5/8	01
03	FRONT	25 3/16"x 14 3/16"x 5/8	01
04	BACK	25 3/16"x 14 3/16"x 5/8	01
05	BOTTOM	25 1/4"x 14 1/4"x 5/8"	01
06	TOP	26 11/16"x 15 3/4"x 5/8"	01

IMPORTANT: PLEASE READ THE INSTRUCTIONS CAREFULLY BEFORE ASSEMBLY.

NECESSARY TOOLS:



A		SCREW Ø4X40 CC	08
B		HINGE	02
C		SCREW Ø3,5X14	30
D		WOOD DOWEL Ø6X30	12

E		CASTERS	04
F		LIMITER	01
G		GLUE	01
H		SCREW Ø3,5X16	02
I		STICKER 12MM	04

RECOMMENDATIONS:

- 01** – Carefully check all parts before starting assembly.
- 02** – We strongly recommend assembling this product by following the steps provided in this Instruction Manual.
- 03** – It is the assembler's responsibility to ensure that the furniture is properly assembled according to the instructions.
- 04** – Make sure all bolts, nuts, and screws are securely fastened, but be careful not to overtighten them.

CLEANING:

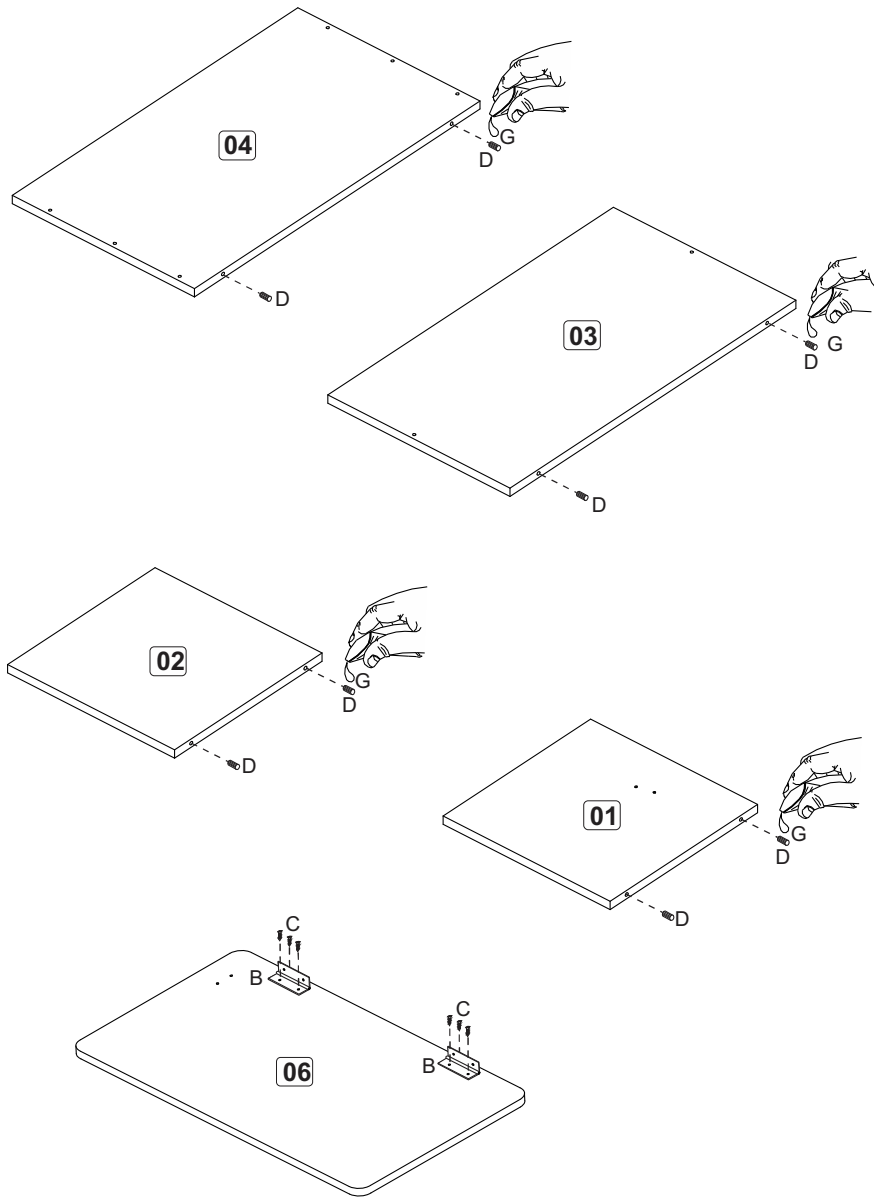
- 01** – Wipe with a cloth slightly dampened with water.
- 02** – Avoid using chemicals or abrasive cleaners.

WARNINGS:

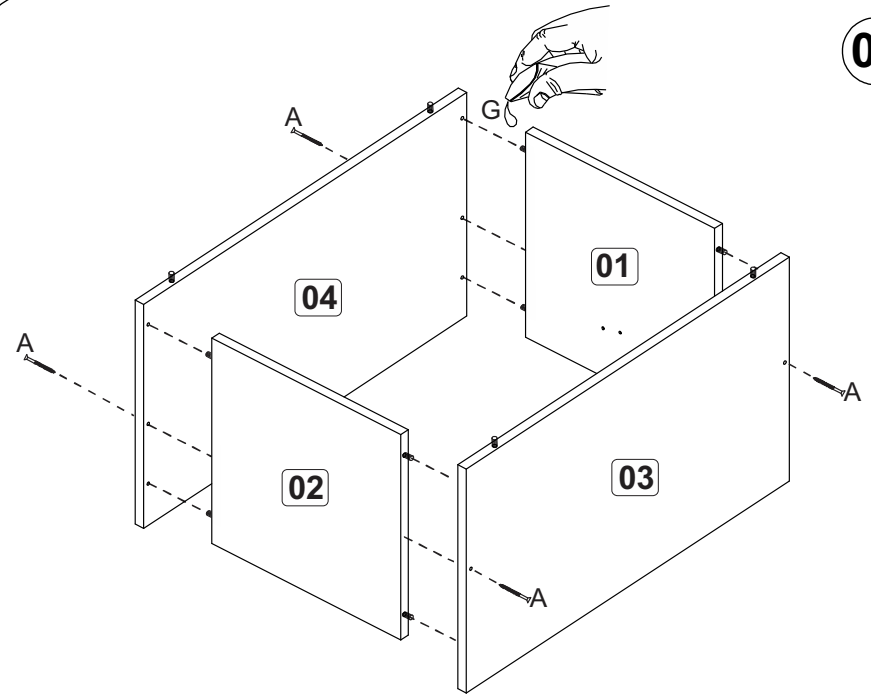
- 01** - Keep the product away from open flames and other heat sources, such as electric or gas heaters.
- 02** - Do not use the product if any parts are broken, torn, or missing. Only use manufacturer-approved replacement parts.

PLACE GLUE "G" ON DOWELS "D".

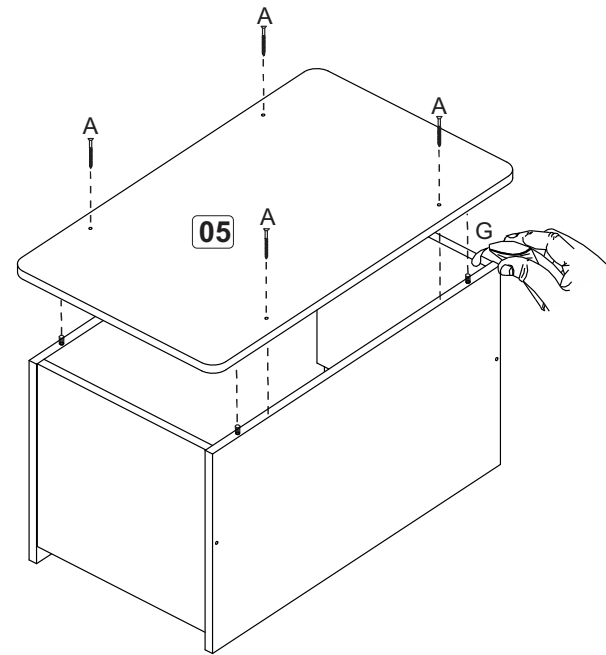
01



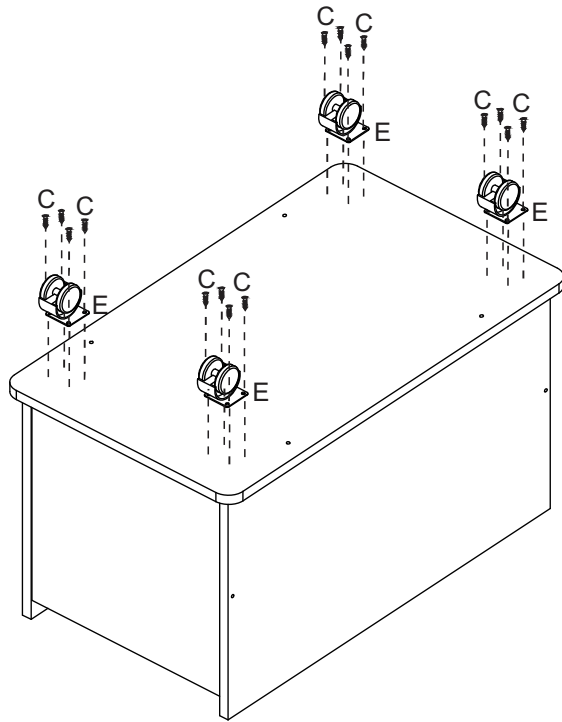
02



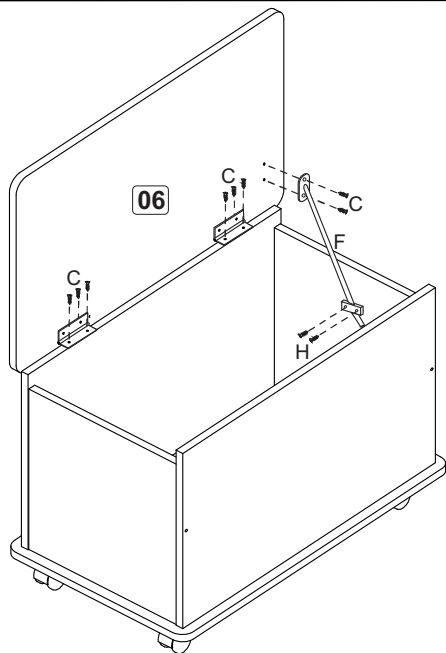
03



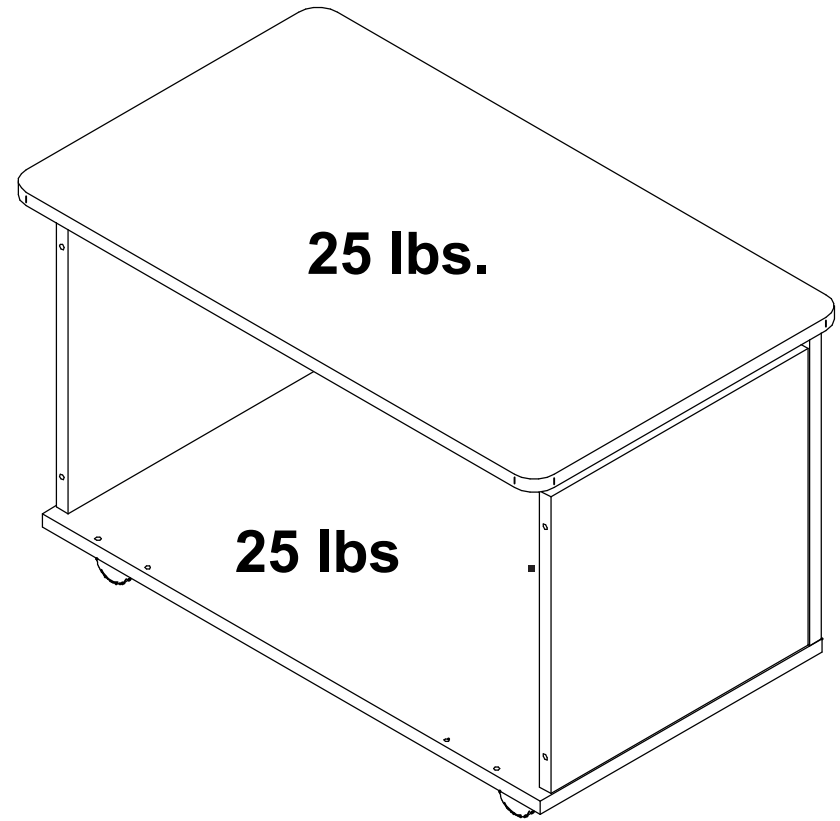
04



05



06



MAXIMUM WEIGHT CAPACITY: 50 lbs