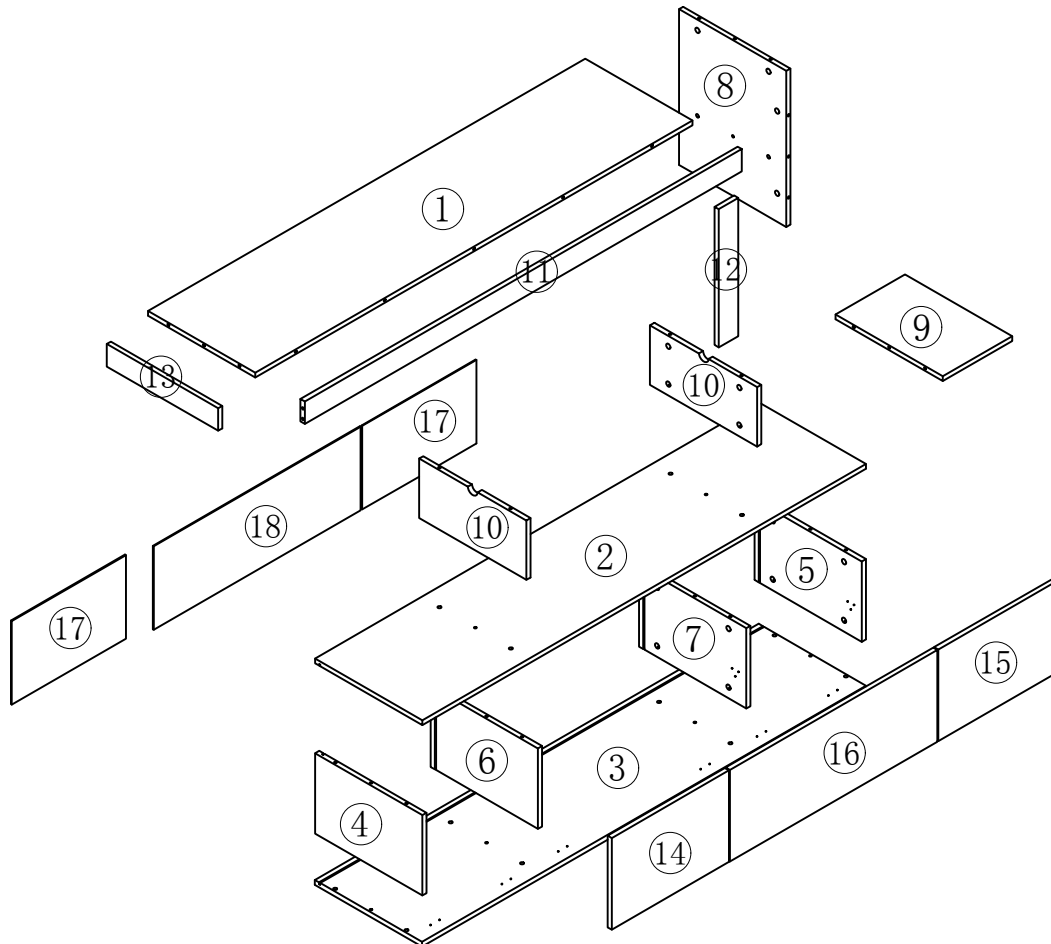
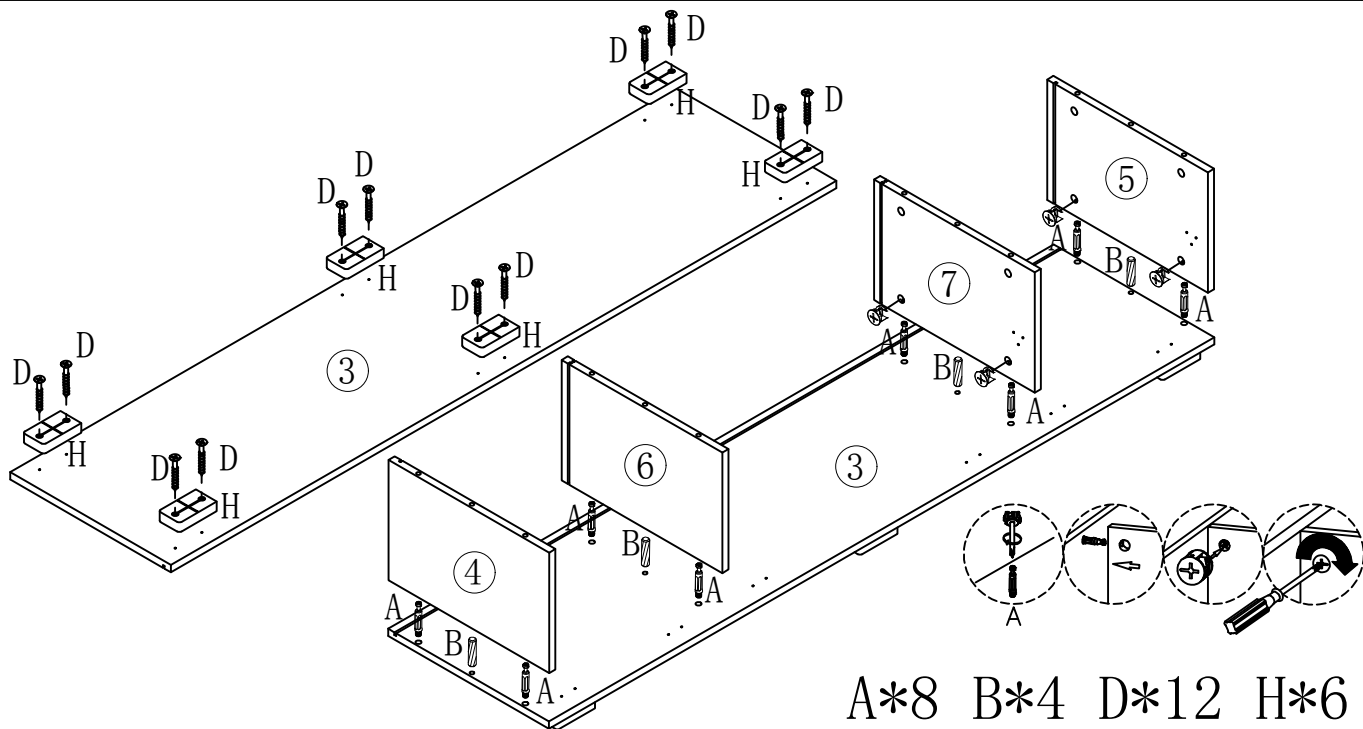


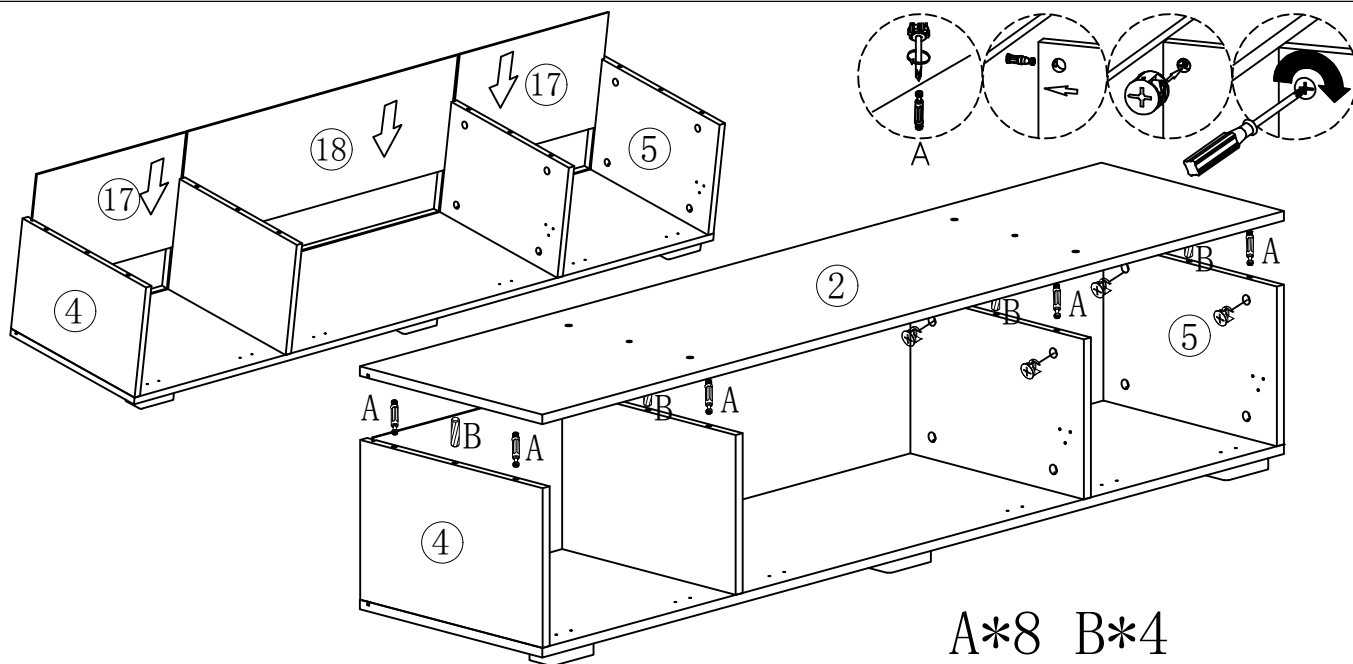
A		38	B		18	C	 φ 3.5*14	60	D	 φ 4*25	12
E		6	F		2	G		4	H		6
L		2	M	 LED	1	N		12			



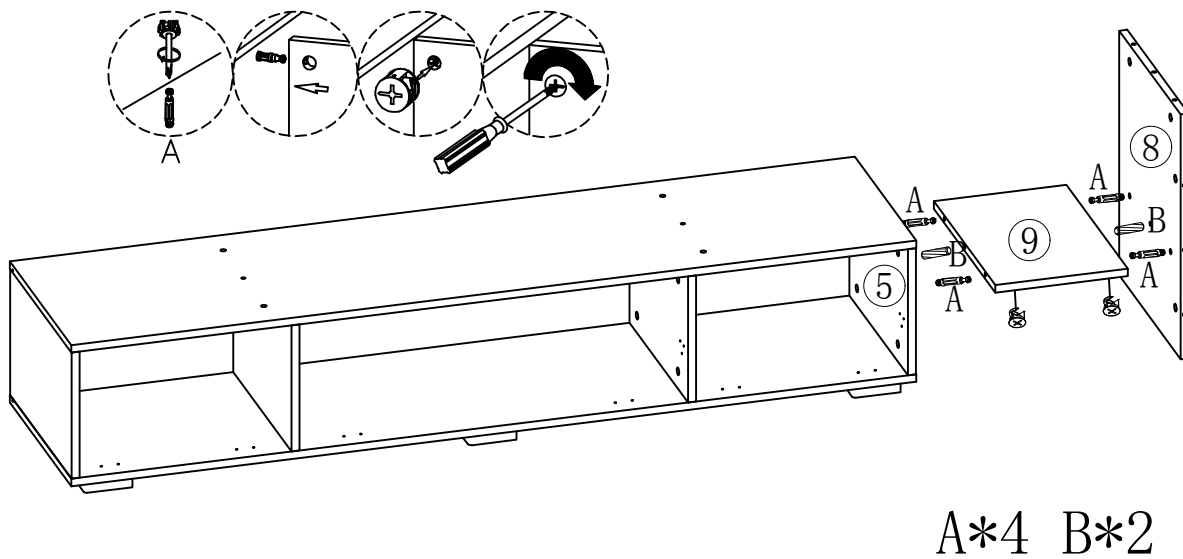
1



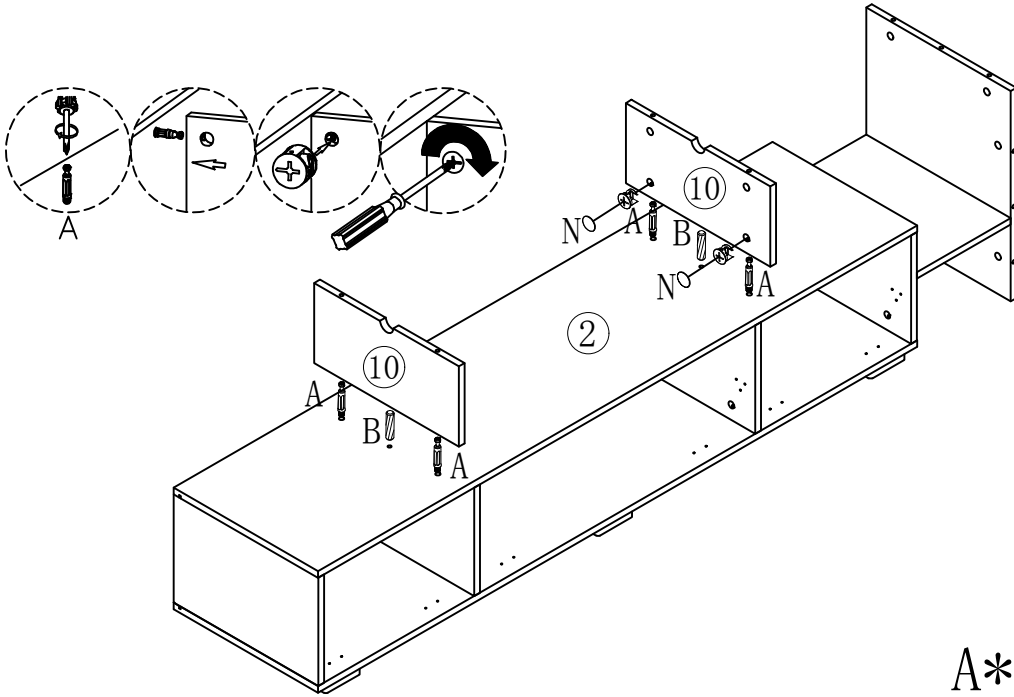
2



3

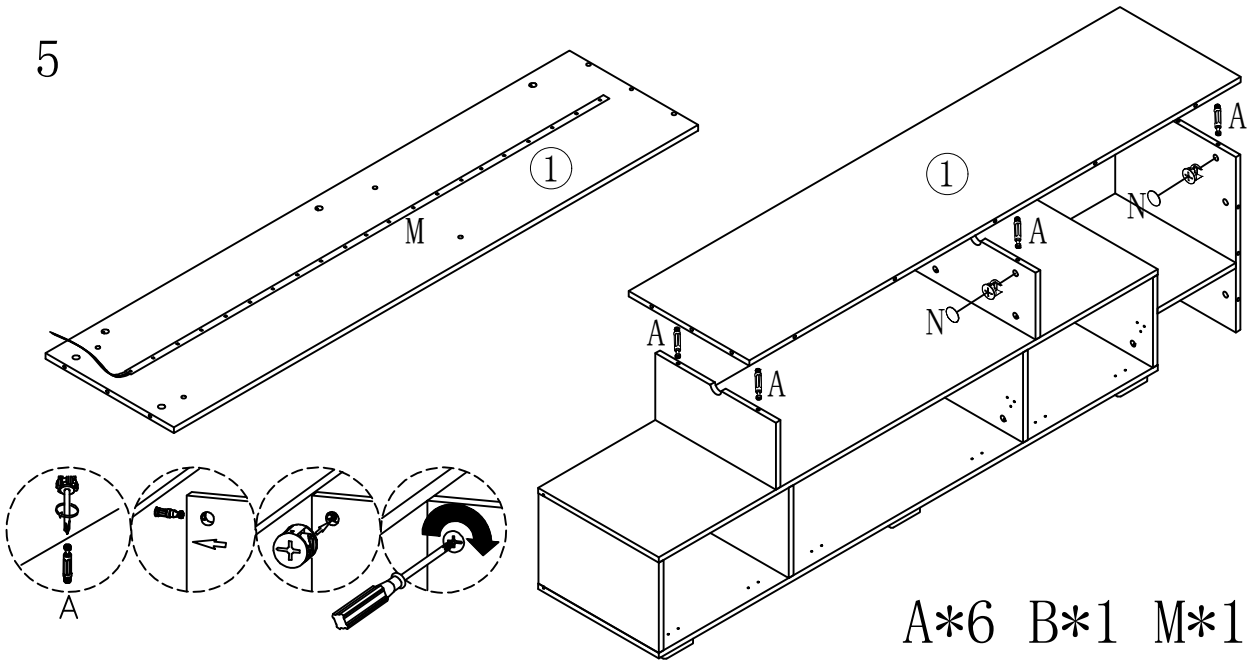


4



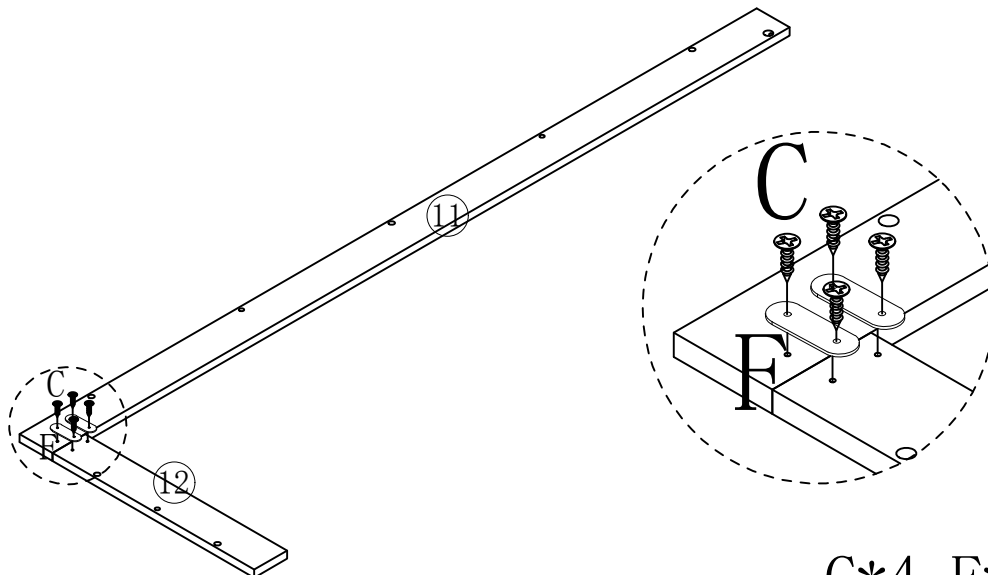
A*4 B*2 N*4

5



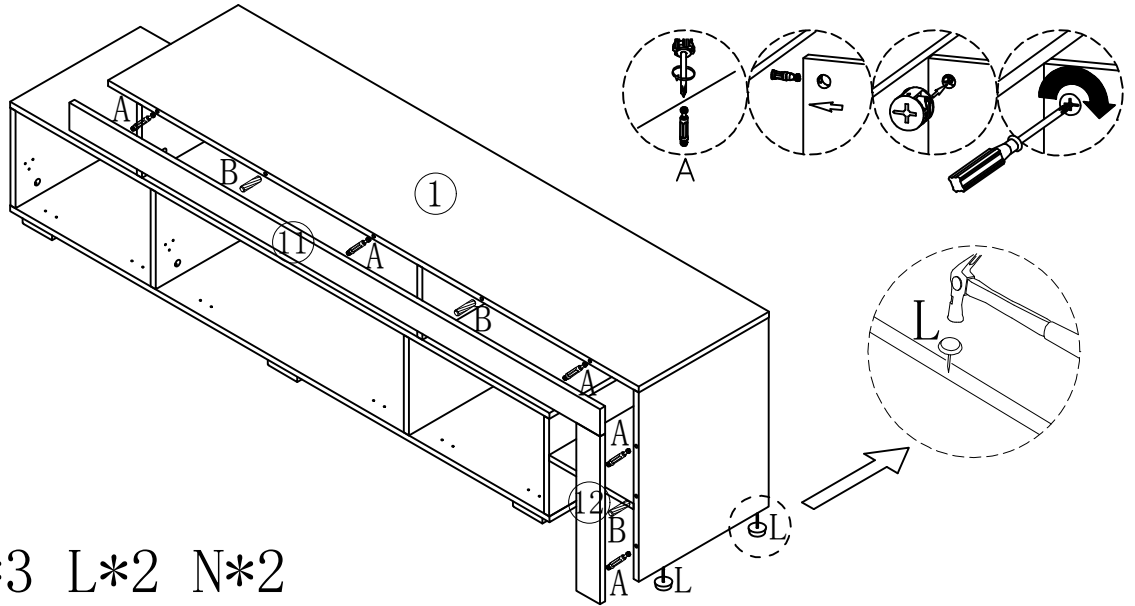
A*6 B*1 M*1 N*6

6

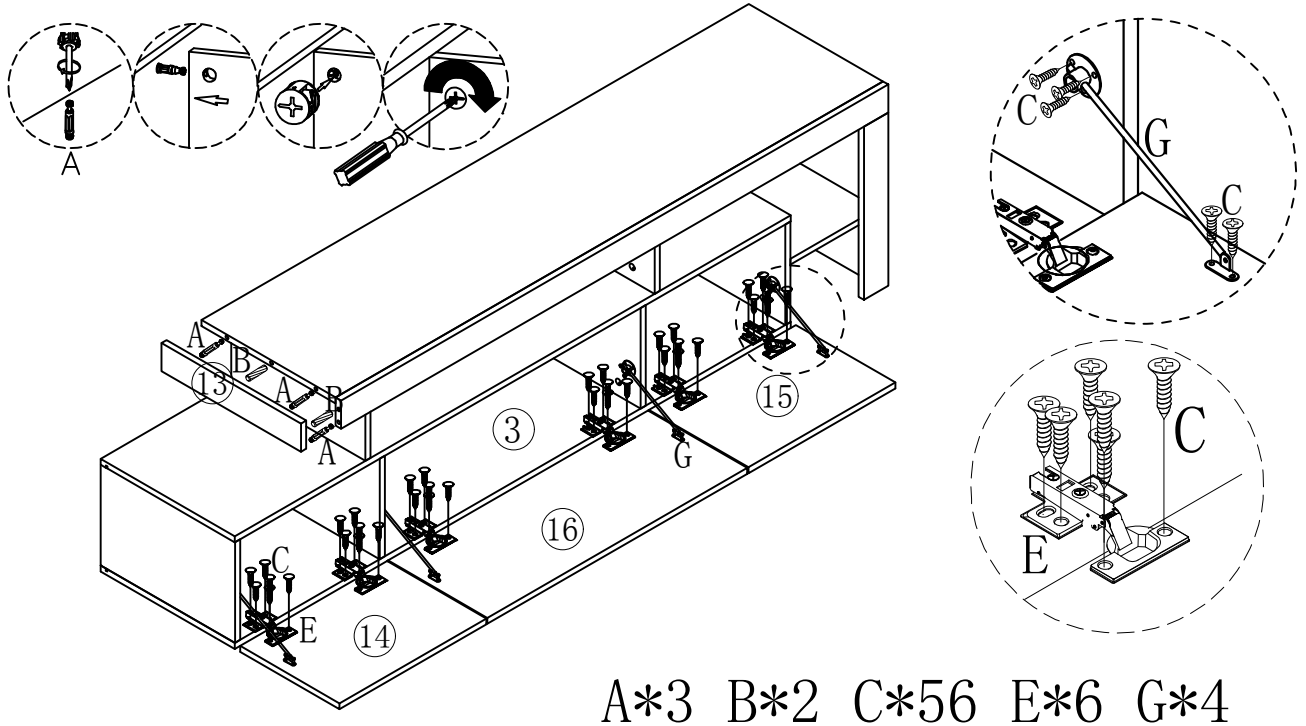


C*4 F*2

7



8



9

