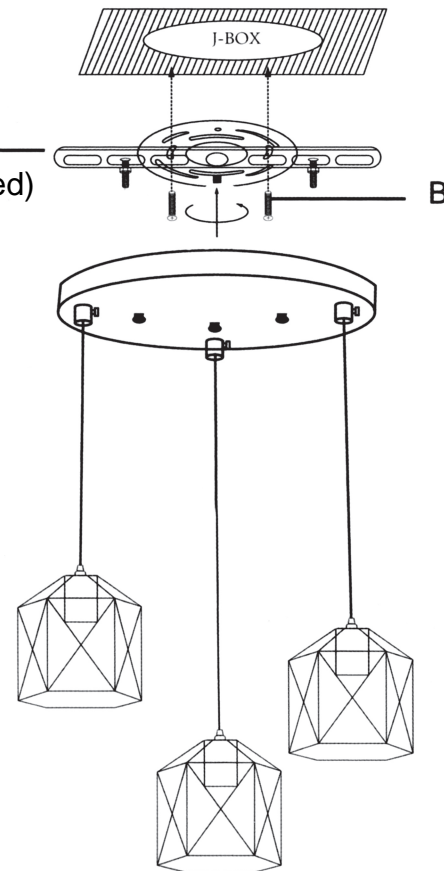


Instruction

TIPS:

- ①. Please turn off the power switch before installation.
- ②. It is suggested to install the bulbs before installation.
- ③. It is better to have a helper to hold the lamp when it is installed.

1

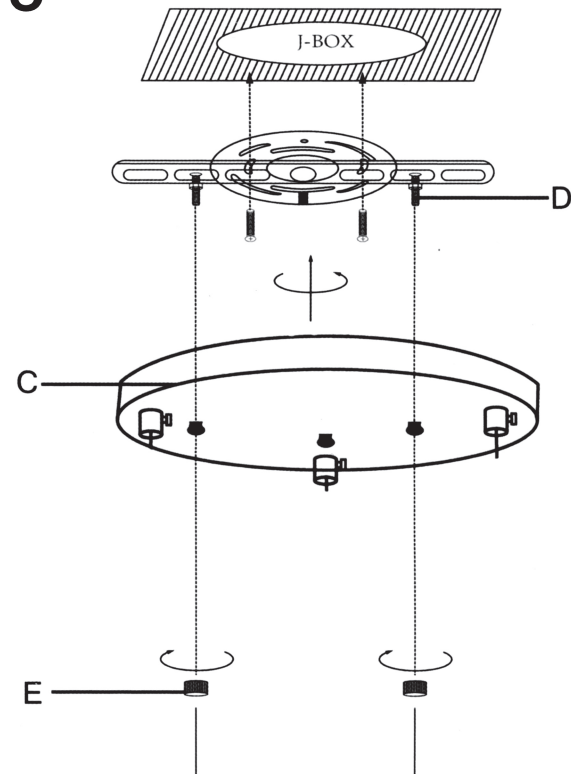


A
(Not included) B

J-BOX

Step ①: Secure the mounting bracket(A) to ceiling junction box by screws(B).

3



J-BOX

D

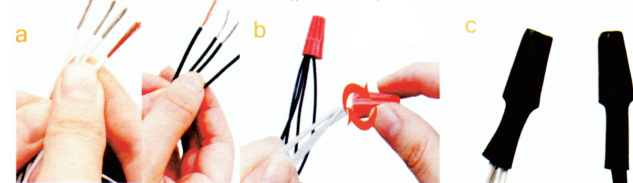
C

E

Step ①: Attach the ceiling canopy(C) to mounting bracket with the screws(D) and mounting nuts(E) provided with your light fixture, then twist on mounting nuts(E) till it is tight.

2

Step ①: a. Attach the white wire from the house and 3 white wires from the light fixture.
 b. Twist on wire nut(provided). Repeat the process to connect the black wires.
 c. Heat the black shrink tube(provided) to contract it.



a b c

Step ②: Attach the bare wire from the house to the bare wire from the light fixture, then twist on a wire nut(provided).

NOTE: If there is not ground wire in your house, attach ground wire to green grounding screw marked GND. WARNING: It is imperative that the outlet box in your home be properly grounded.

Step ③: Gently tuck the wires into the junction box through the center of mounting bracket. Push the white and black wires apart so they won't touch each other.

