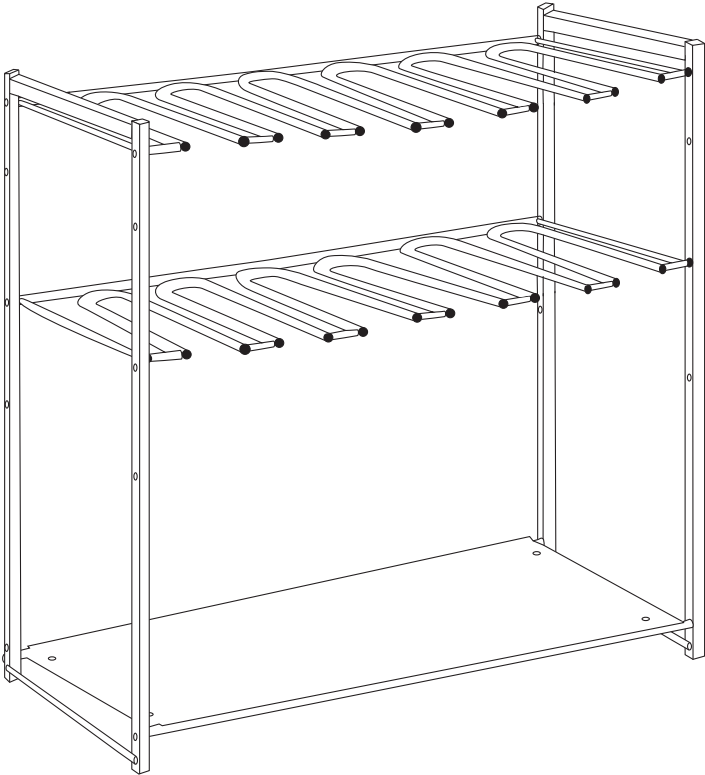

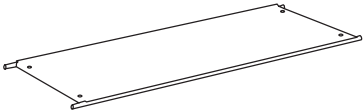


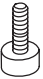


6 pair boot rack
estante para 6 pares de botas
rangement à bottes (6 paires)



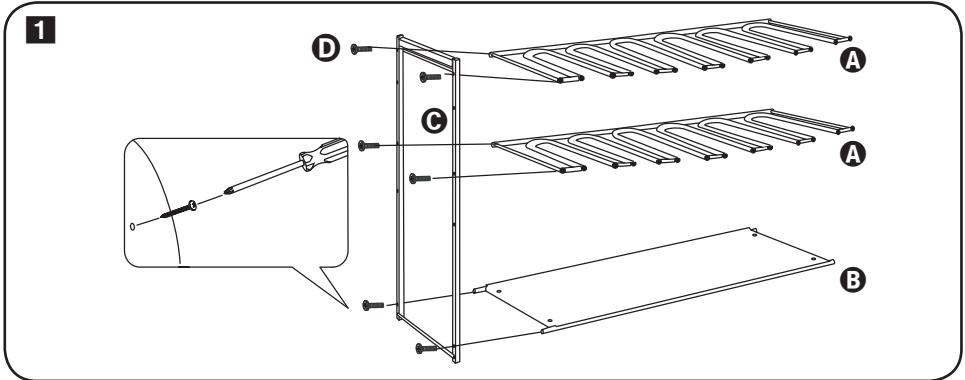
27.5 in L x 10.75 in W x 22.5 in H /69.9 cm L x 27.3 cm W x 57.2 cm H

PARTS LIST

PART/ILLUSTRATION	(QTY)	DESCRIPTION
A 	(2)	racks bastidores étagères
B 	(1)	bottom shelf estante inferior étagère inférieure
C 	(2)	side support soporte lateral support latéral
D 	(12)	screws tornillo hélice
E 	(4)	feet pies pieds

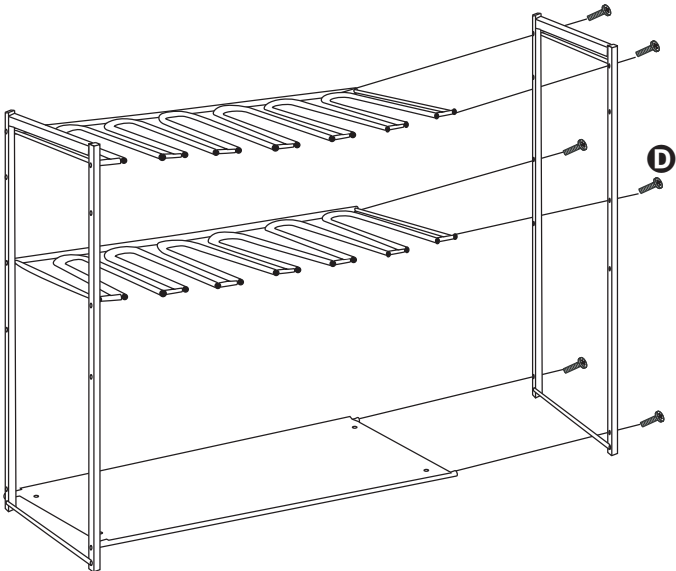
TOOLS NOT INCLUDED

	(1) screwdriver destornillador tournevis
---	---

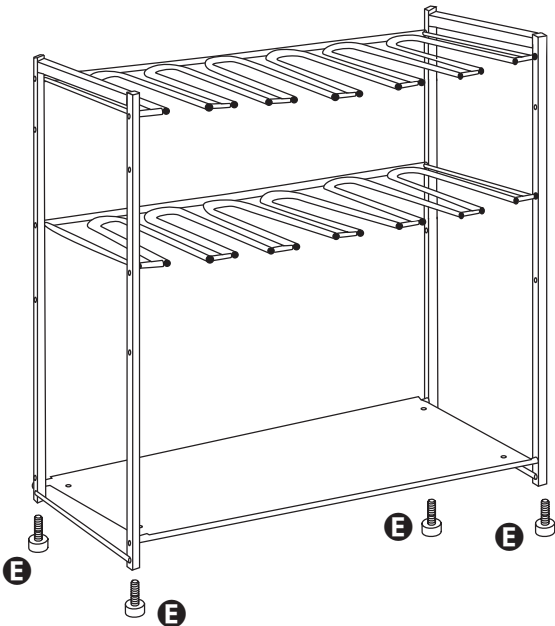


ASSEMBLY

3



4



LIMITED LIFETIME WARRANTY

We warrant our product will be free from defects in materials and workmanship when used for normal personal or household use. Except as provided below us, at its option, may offer a comparable product or offer a replacement part or request that the item be returned to the place of purchase. This warranty DOES NOT apply to damage caused by negligence, misuse, excessive use, improper cleaning, improper assembly, or any circumstances not directly attributable to manufacturing defects. Proof of purchase is required in the form of a receipt (copy or original) to validate warranty. We provide this limited lifetime warranty in lieu of all other warranties, either express or implied. In no event shall us, its affiliates, or subsidiaries be responsible for consequential or incidental damages arising out of a claim of defective product. Some states or provinces do not allow some exclusions or limitations, so the above statement may not apply to you. This warranty gives you specific legal rights. Additional rights vary by state or province.

WARNING:

Keep bags and plastic sheeting away from babies and children. Do not use in cribs, beds, carriages or playpens. The plastic may cling to the nose and mouth and prevent breathing.

All Rights Reserved