

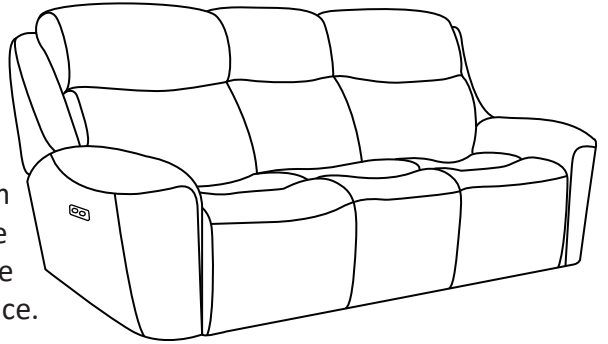
# FLEXSTEEL®

## Power Reclining Sofa with Power Headrests

### IMPORTANT NOTE

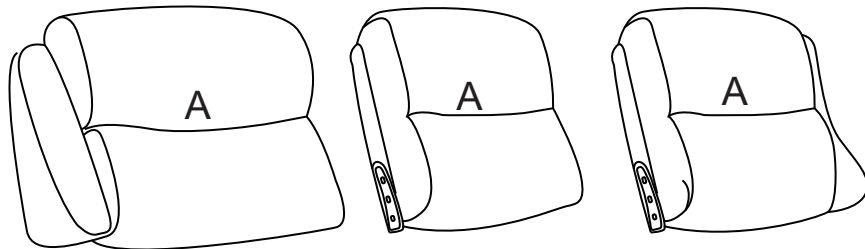
Read these instructions carefully, and familiarize yourself with each procedure before assembling the furniture. Check that you have all the component parts, and familiarize yourself with each part before proceeding.

Take all the fittings out of the plastic bag and separate them into groups. Ensure you have enough space to lay out all the parts before assembly. To prevent damage to the parts, we recommend that you assemble the unit on a soft, level surface.

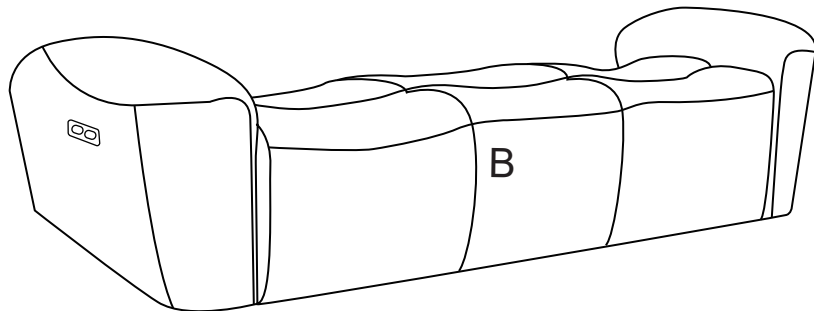


## Part List

- A. Back Cushion  
3 piece



- B. Seat Cushion  
1 piece

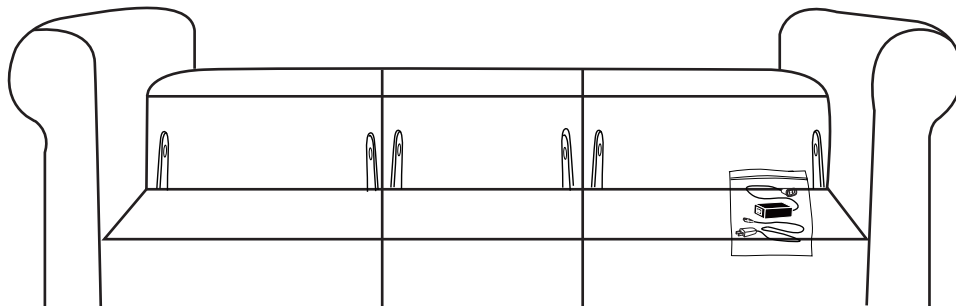


## Assembly Instructions

### STEP 1

Flip up the back flaps, and remove the headrest cables from the Backs (A). Connect the headrest cables to the power button control cables, and place them behind the flaps. (See Figure 3.)

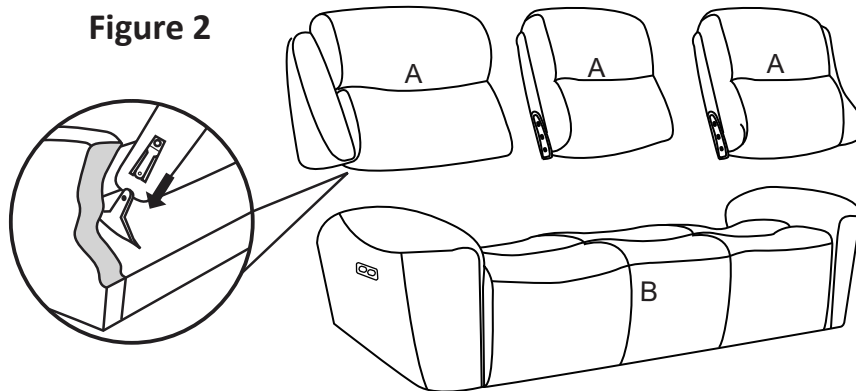
Figure 1



# Assembly Instructions

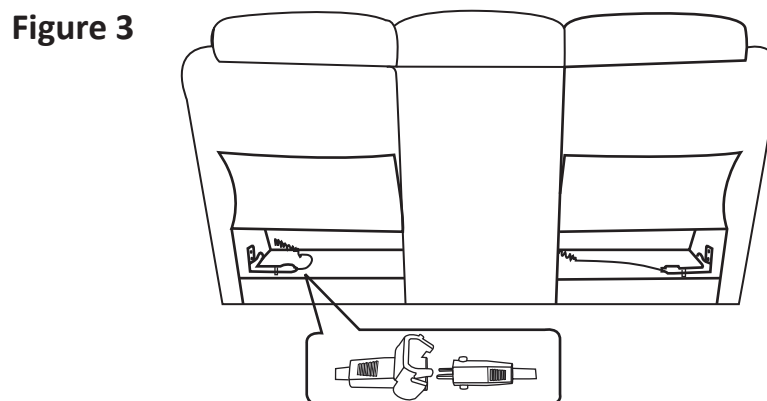
## STEP 2

Flip up the back flaps, and remove the headrest cables from the Backs (A). Connect the headrest cables to the power button control cables, and place them behind the flaps. (See Figure 3.)



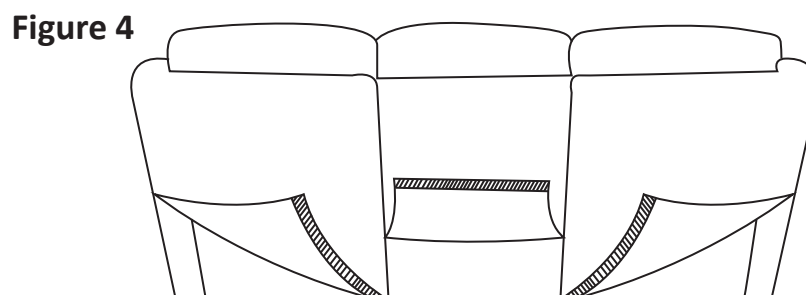
## STEP 3

Flip up the back flaps, and remove the headrest cables from the Backs (A). Connect the headrest cables to the power button control cables, and place them behind the flaps. (See Figure 3.)



## STEP 4

Fasten the back flaps to the bottom of the furniture. (See Figure 4.)



## STEP 5

Plug the transformer into a nearby outlet, still making sure it is clear of the metal base.

## IMPORTANT NOTE

- To avoid any risk of suffocation to children or pets, dispose of all plastic bags immediately.
- To ensure proper performance, occasionally check for loose screws and tighten as needed.
- If the reclining functions are not working properly, check for loose cable connections before contacting the retailer.