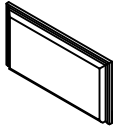


ASSEMBLY INSTRUCTION

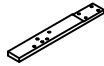
FULL / QUEEN / EASTERN KING HEADBOARD

A Headboard Panel



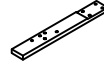
1pc

B Left Leg



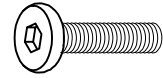
1pc

C Right Leg



1pc

D Bolt
5/16"x1-1/2"



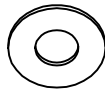
8pcs

E Lock Washer
5/16"x1/2"



8pcs

F Flat Washer
5/16"x3/4"

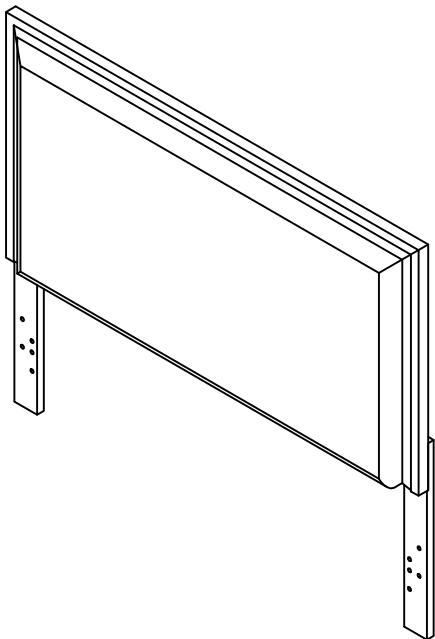


8pcs

G Allen Wrench
5mm

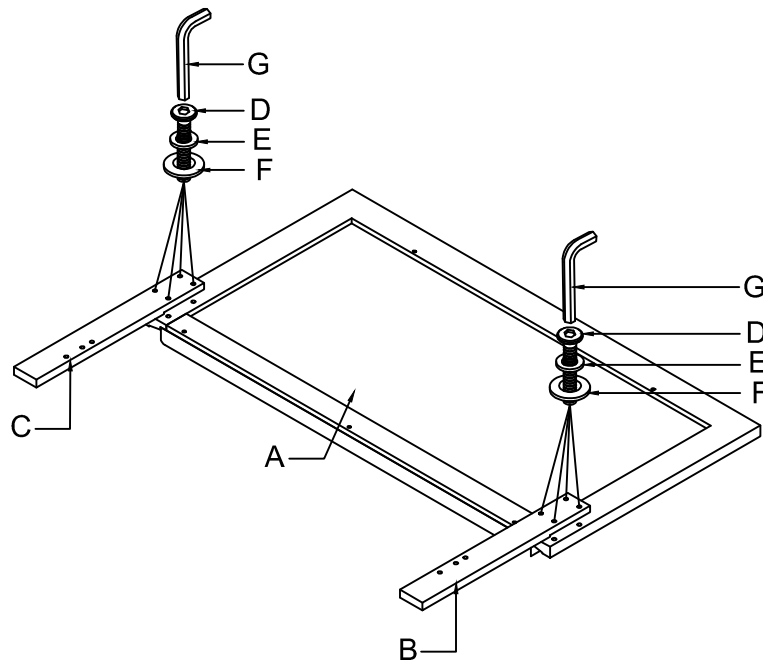


1pc



This page listed all the contents included in the box. Please take the time to identify the hardware as well as the individual components to this product. As you unpack and prepare for assembly, place the contents on a carpeted or padded area to protect them from damage.

-
- 1** Attached Left leg (B) and Right leg (C) to Headboard Panel (A) using hardware Lock washer (E) ,Flat washer (F) , Bolt(D) then tighten with allen Wrench (G).



Cleaning & Care

Treat surface with care. Surface is resistant to scratches but is not scratch resistant. Clean surfaces with a dry or damp soft cloth. Do not use abrasive cleaners. Hardware may loosen over time. Periodically check that all connections are tight.