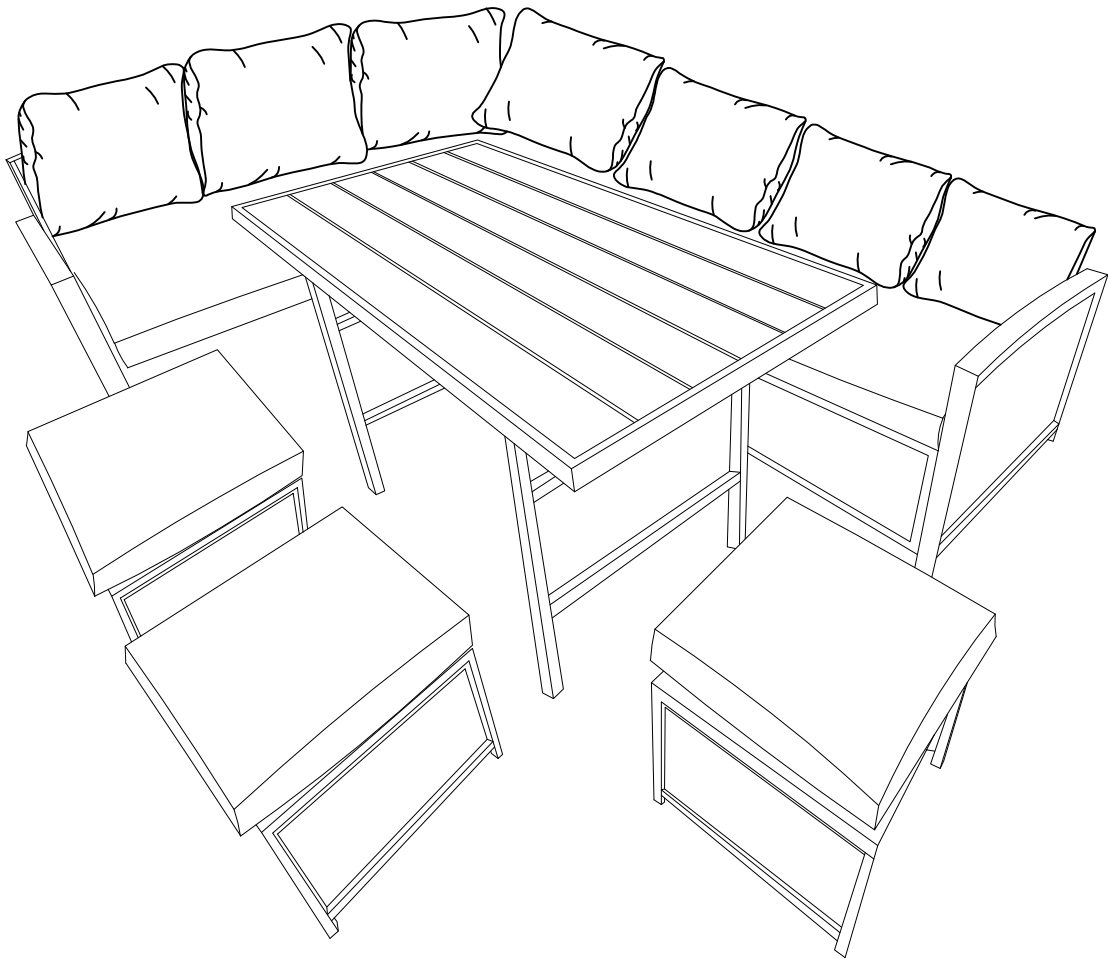


Assembly Instructions



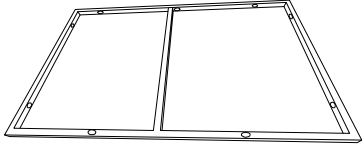
Attention

Thanks for choosing our product.

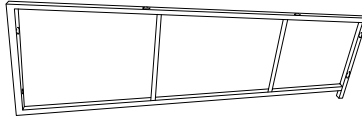
1. There will be two boxes in total for this whole product. Before assembling, please check you receive all the parts listed below. If there is any missing or damaged part, or if you have any question, please feel free to contact our service team for help.
2. Two persons are recommended to assemble the set.
3. Recommend to use waterproof furniture cover for entire furniture set when it is used outdoor to keep them longer lifetime.
4. Sofa cushion covers can be removed and cleaned up by cleaner when there are stains.

Package A Parts List:

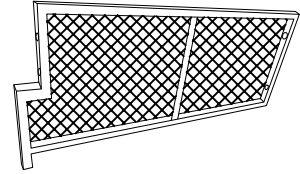
ⓑ x1



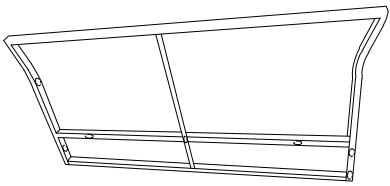
ⓓ x1



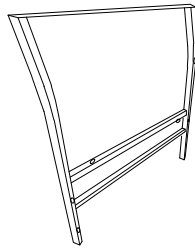
ⓔ x1



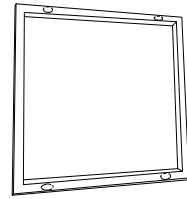
ⓙ x1



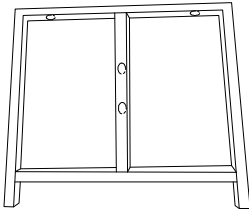
Ⓚ x1



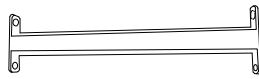
Ⓛ X3



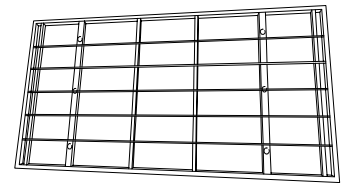
Ⓜ x6



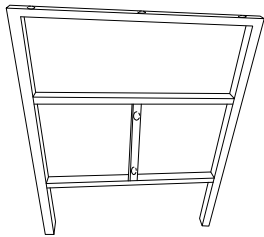
Ⓝ x3



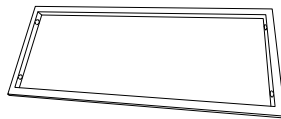
Ⓞ x1



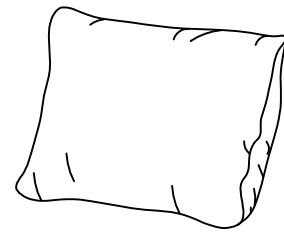
Ⓟ x2



Ⓠ x1



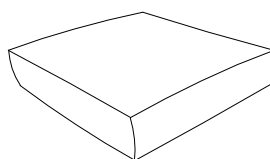
Ⓡ x3



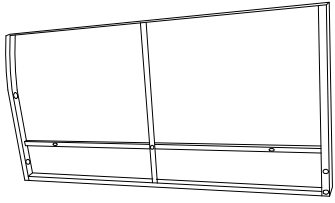
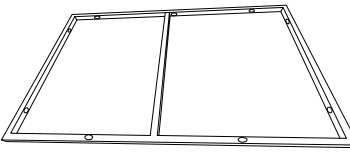
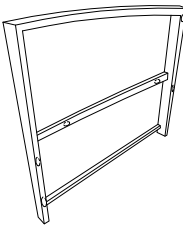
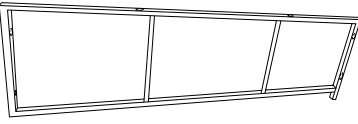
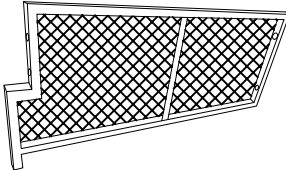
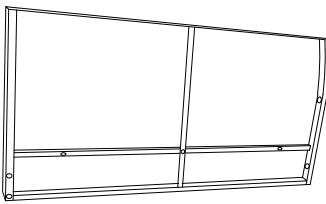
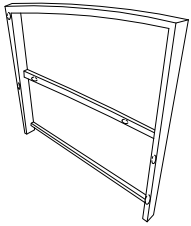
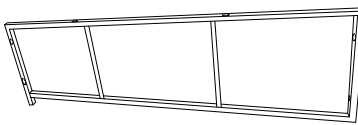
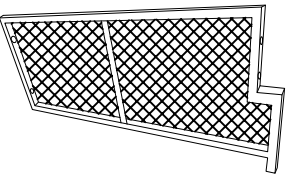
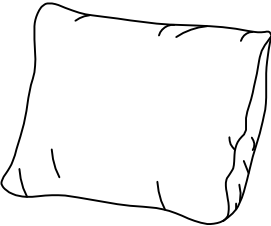
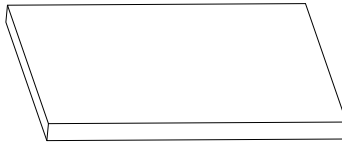


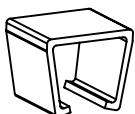


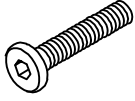
Ⓢ x1





Ⓣ x3

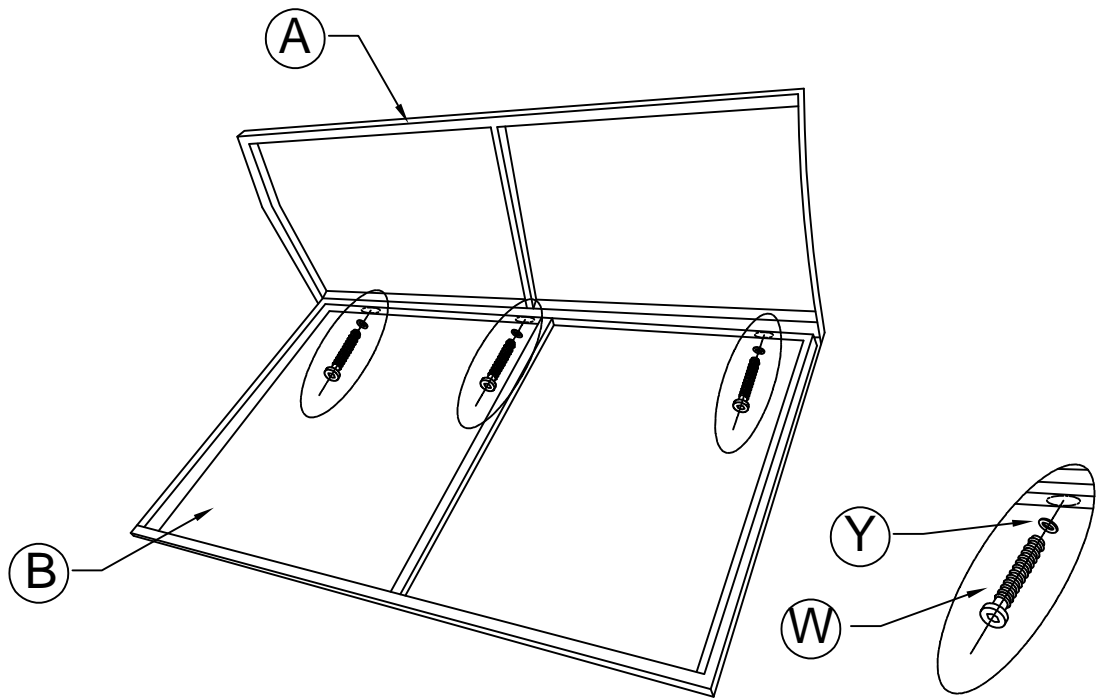


Package B Parts List:



<p>Ⓐ x1</p> 	<p>Ⓑ x2</p> 	<p>Ⓒ x1</p> 
<p>Ⓓ x1</p> 	<p>Ⓔ x1</p> 	<p>Ⓕ x1</p> 
<p>Ⓖ x1</p> 	<p>Ⓗ x1</p> 	<p>Ⓙ x1</p> 
<p>Ⓡ x4</p> 	<p>Ⓢ x2</p> 	<p>Ⓤ x12</p>  <p>M6*15</p>
<p>Ⓧ x1</p> 	<p>Ⓩ x4</p> 	<p>Ⓥ x48</p>  <p>M6*30</p>
<p>Ⓨ x79</p> 		<p>Ⓦ x19</p>  <p>M6*35</p>

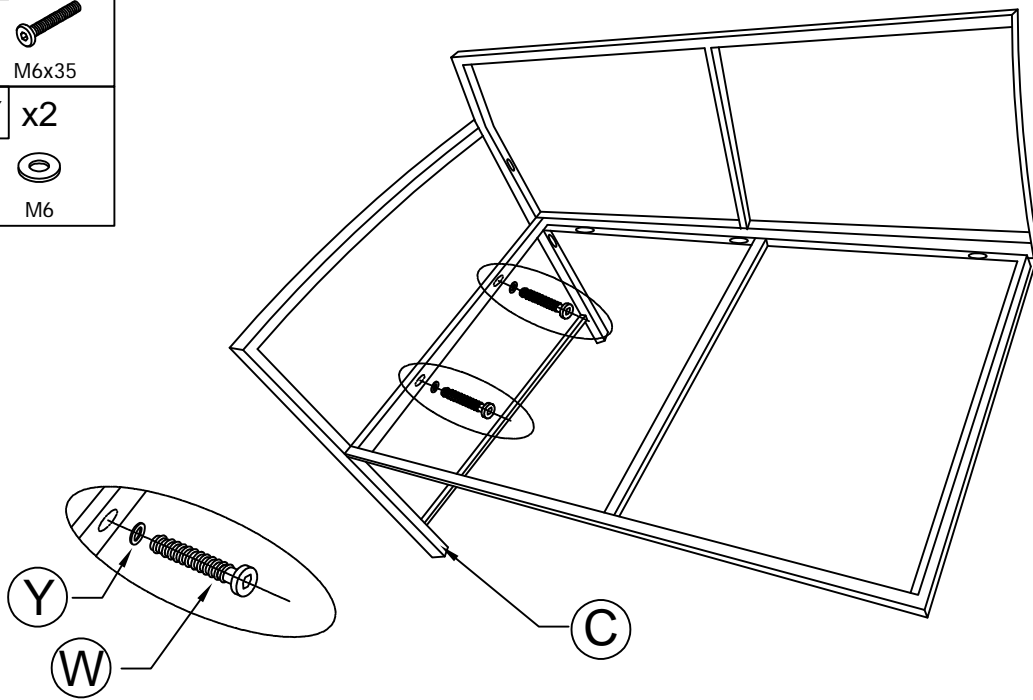
STEP 1

W	x3
	
	M6x35
Y	x3
	
	M6





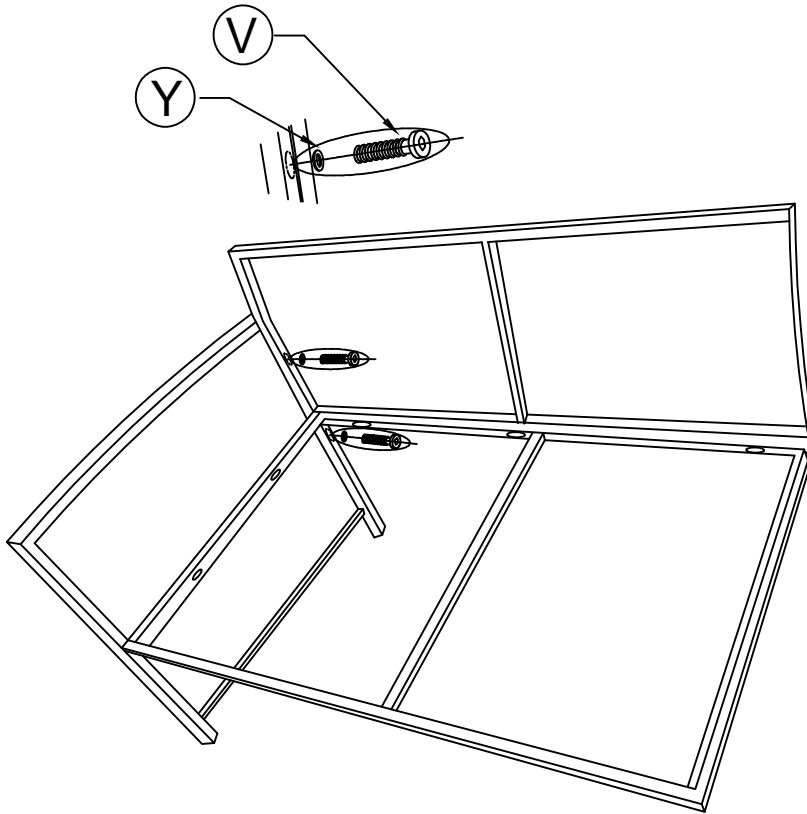
STEP 2

W	x2
	
	M6x35
Y	x2
	
	M6





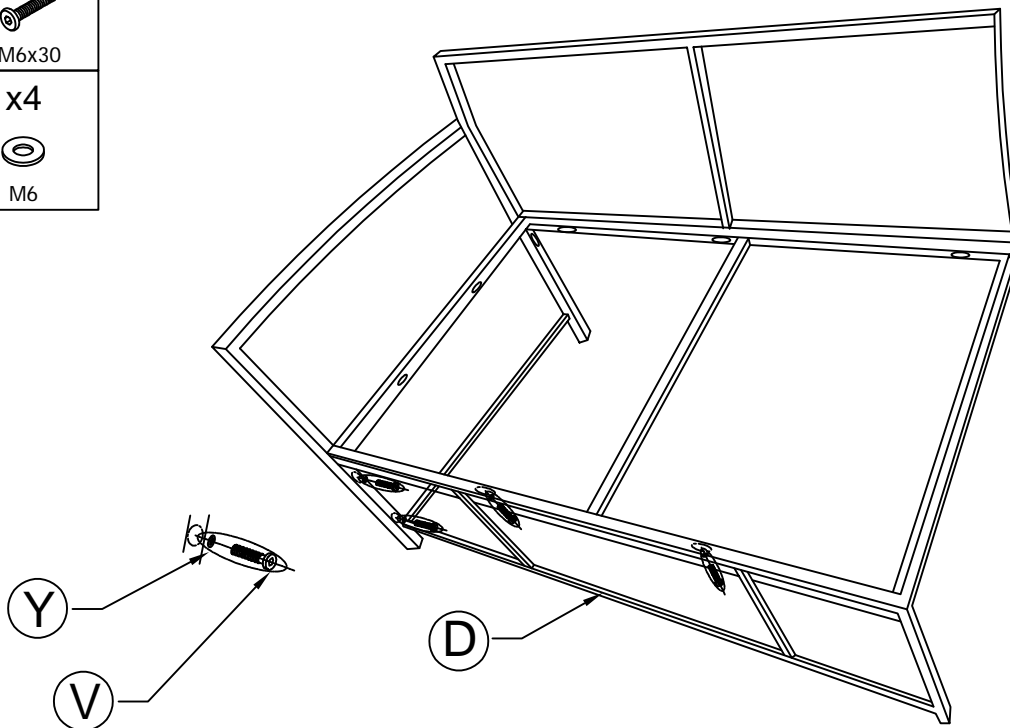
STEP 3

V	x2
	
	M6x30
Y	x2
	
	M6





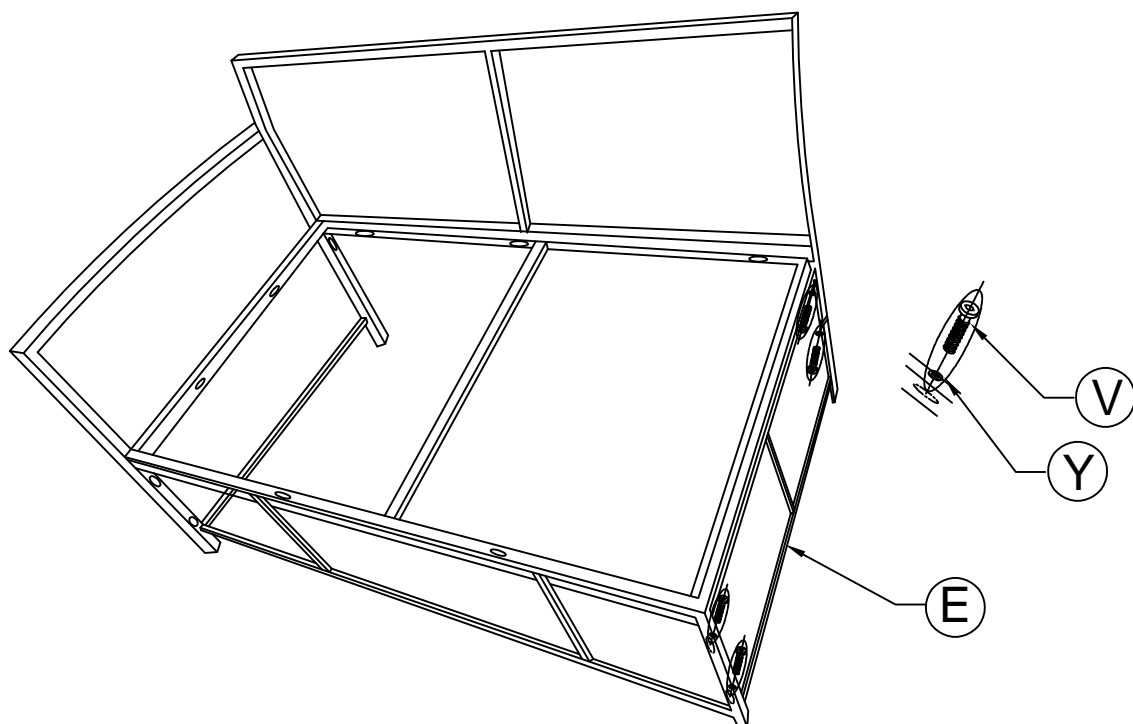
STEP 4

V	x4
	
	M6x30
Y	x4
	
	M6

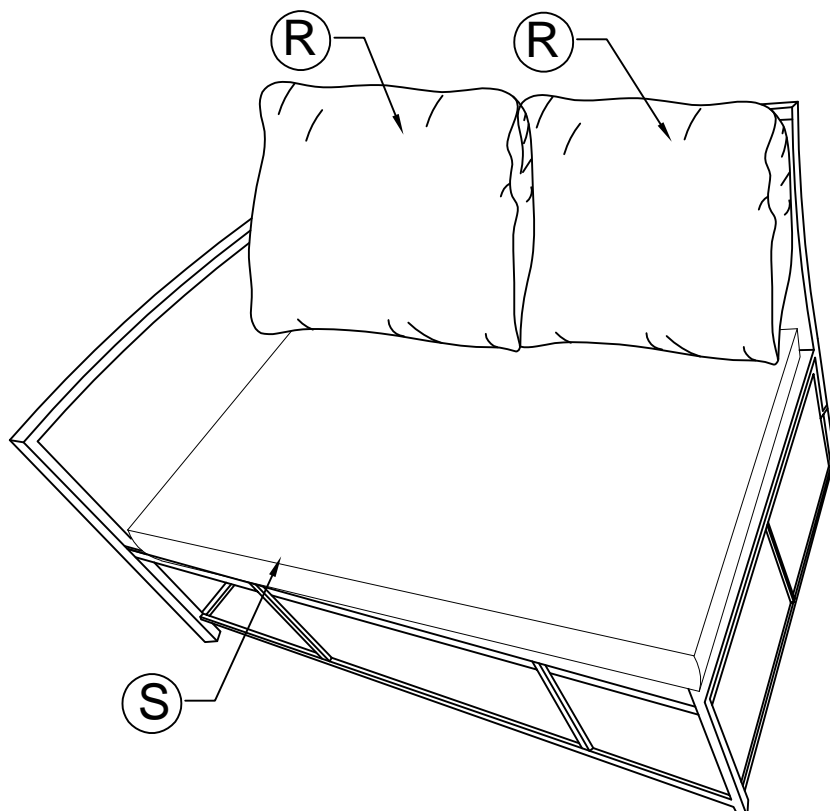


STEP 5



V	x4
	
	M6x30
Y	x4
	
	M6

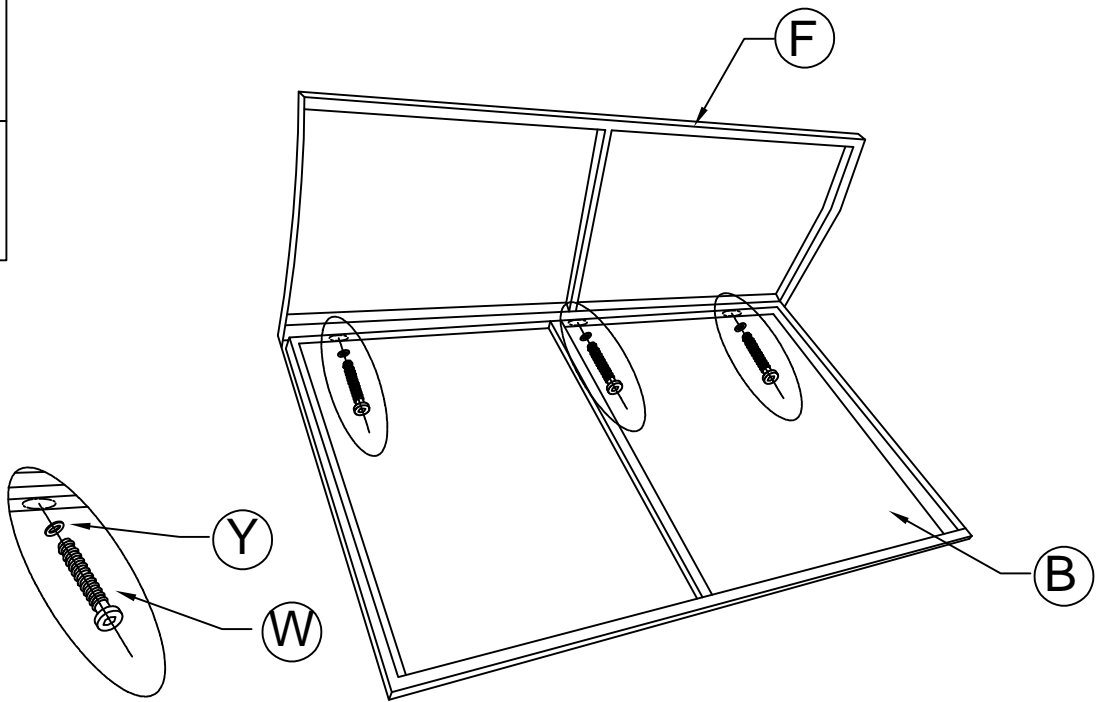


STEP 6





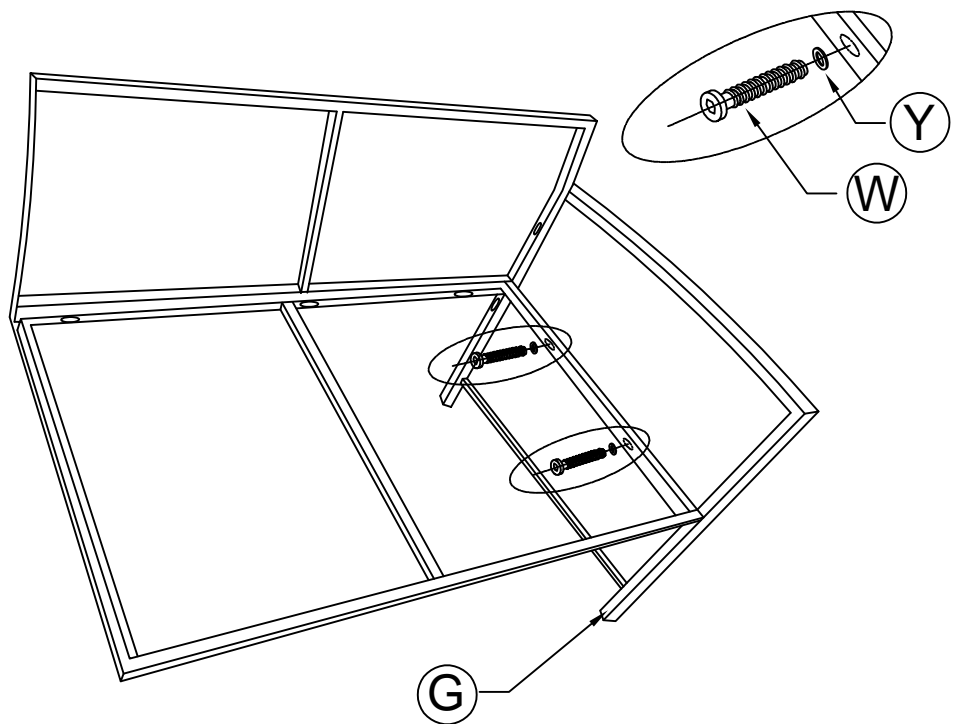
STEP 7

W	x3
	
	M6x35
Y	x3
	
	M6





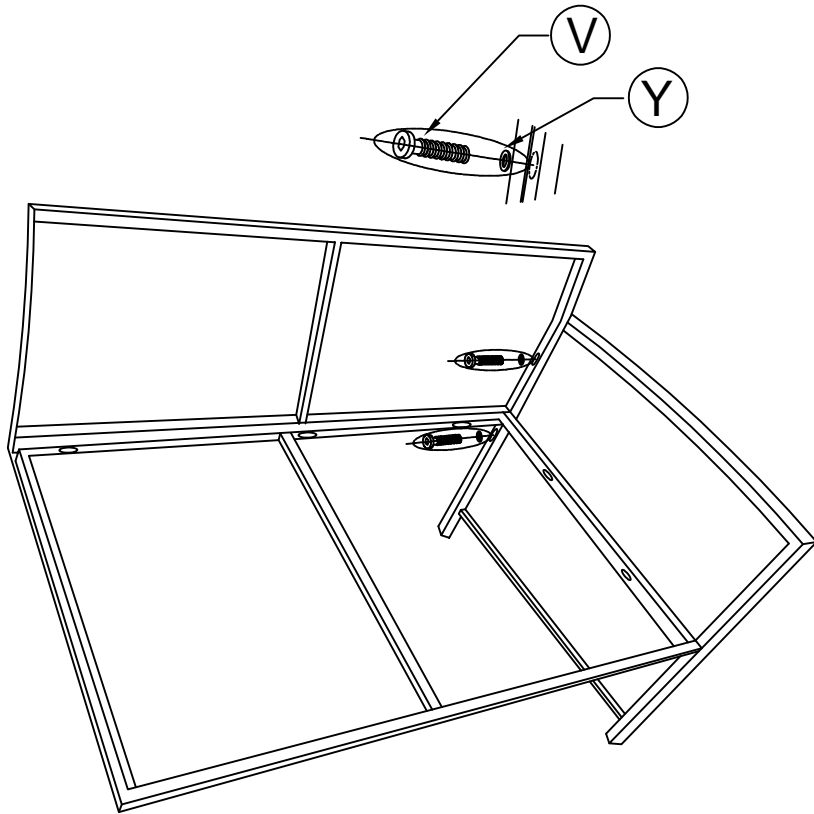
STEP 8

W	x2
	
	M6x35
Y	x2
	
	M6





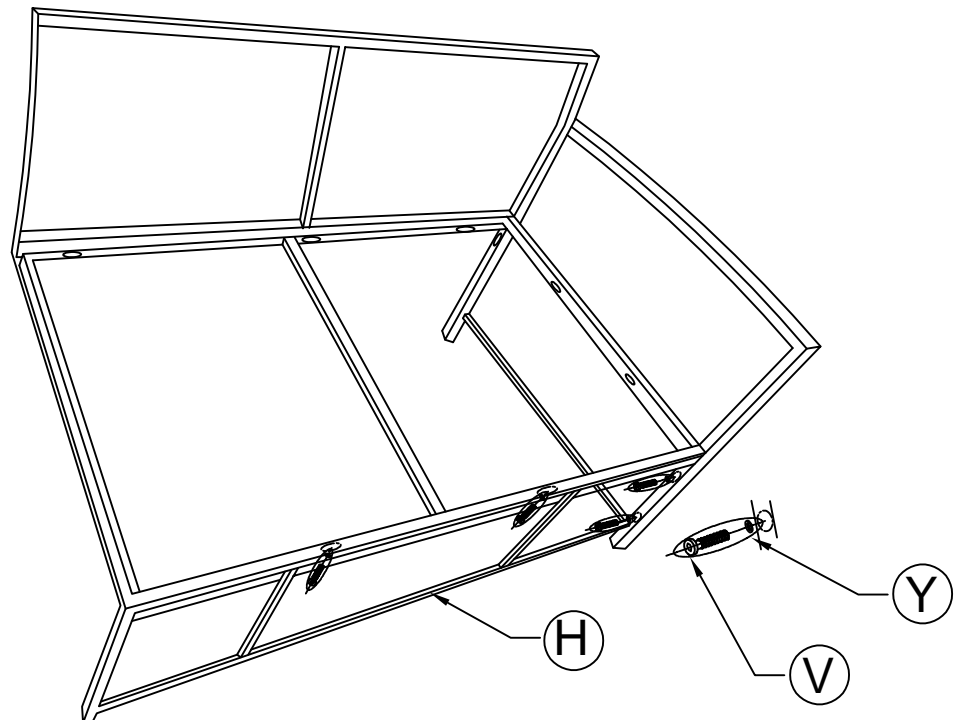
STEP 9

V	x2
	
	M6x30
Y	x2
	
	M6





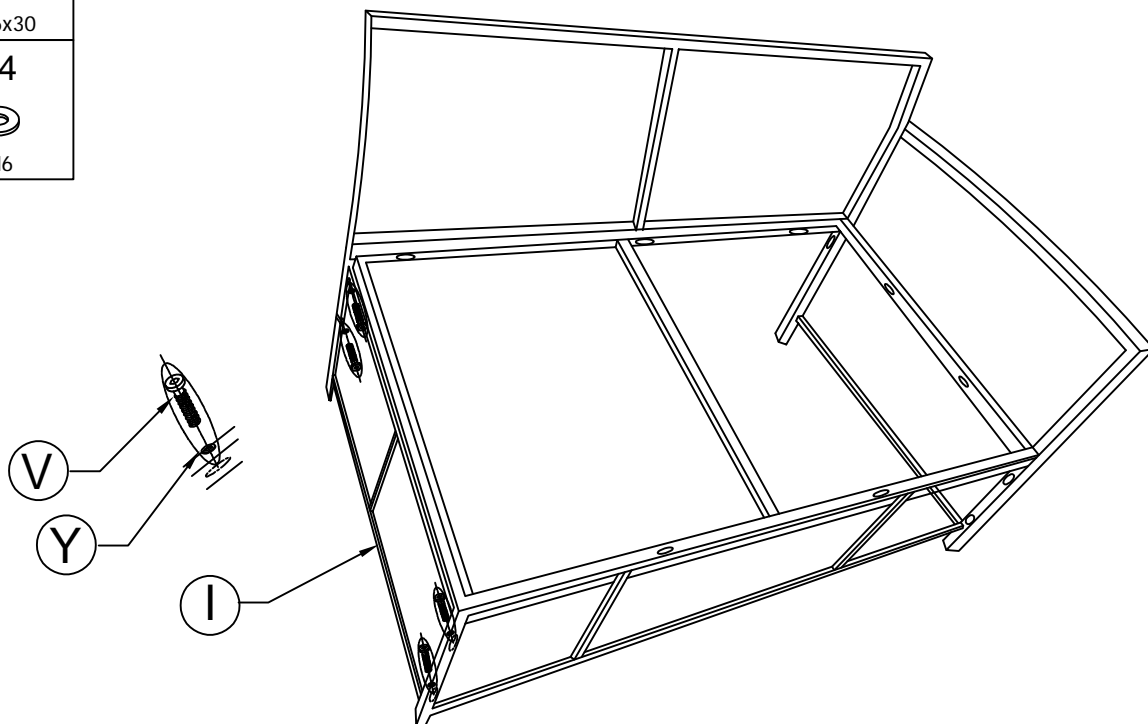
STEP 10

V	x4
	
	M6x30
Y	x4
	
	M6

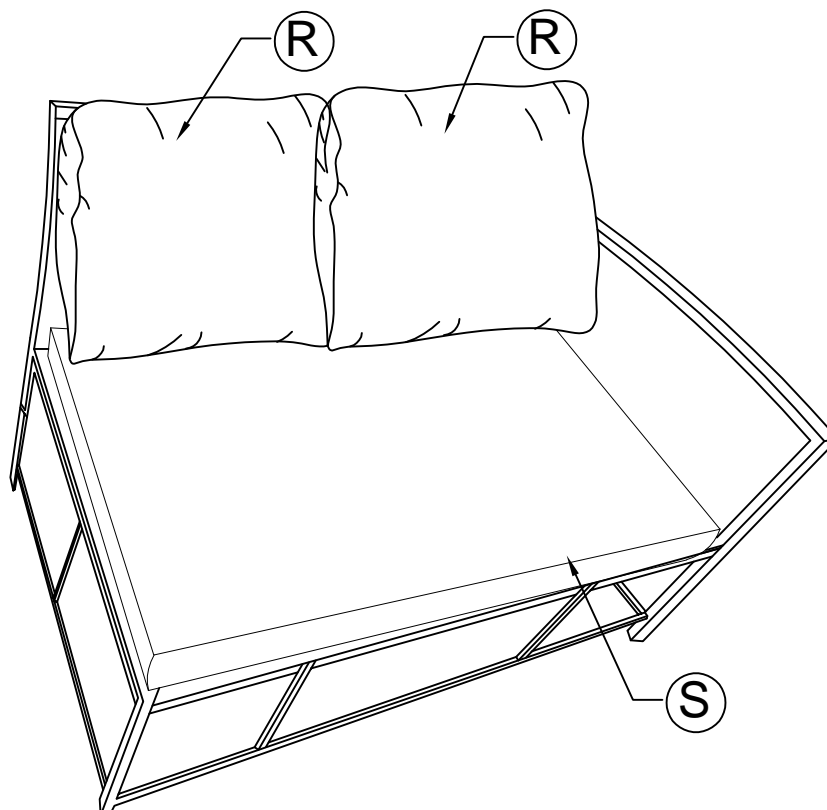


STEP 11



V	x4
	
	M6x30
Y	x4
	
	M6

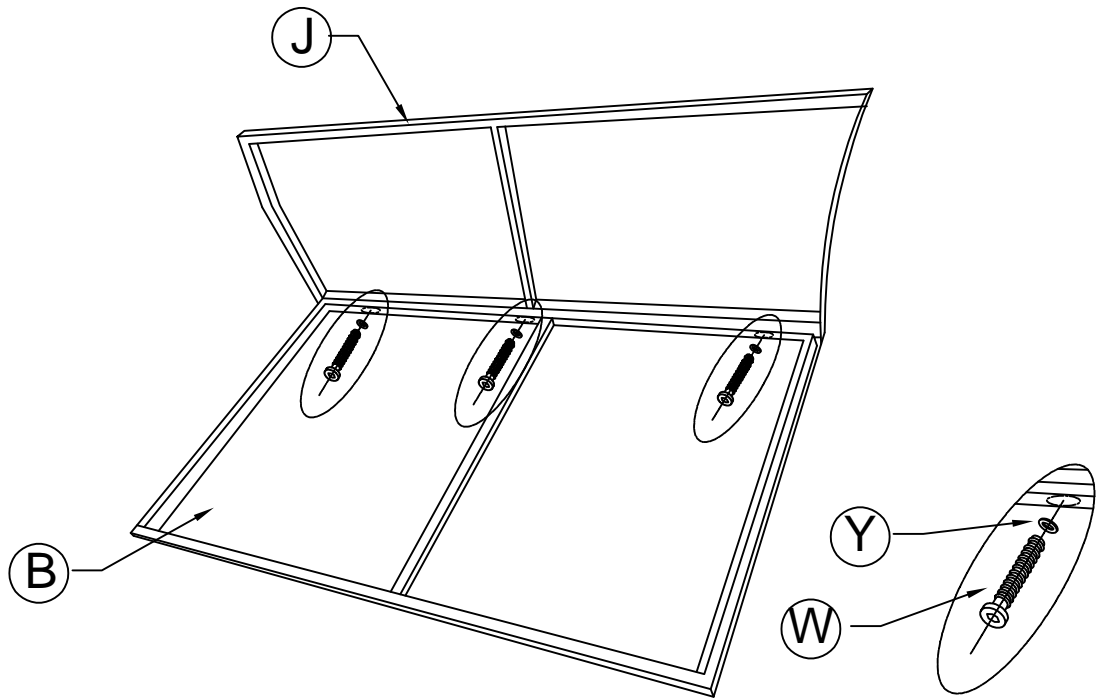


STEP 12





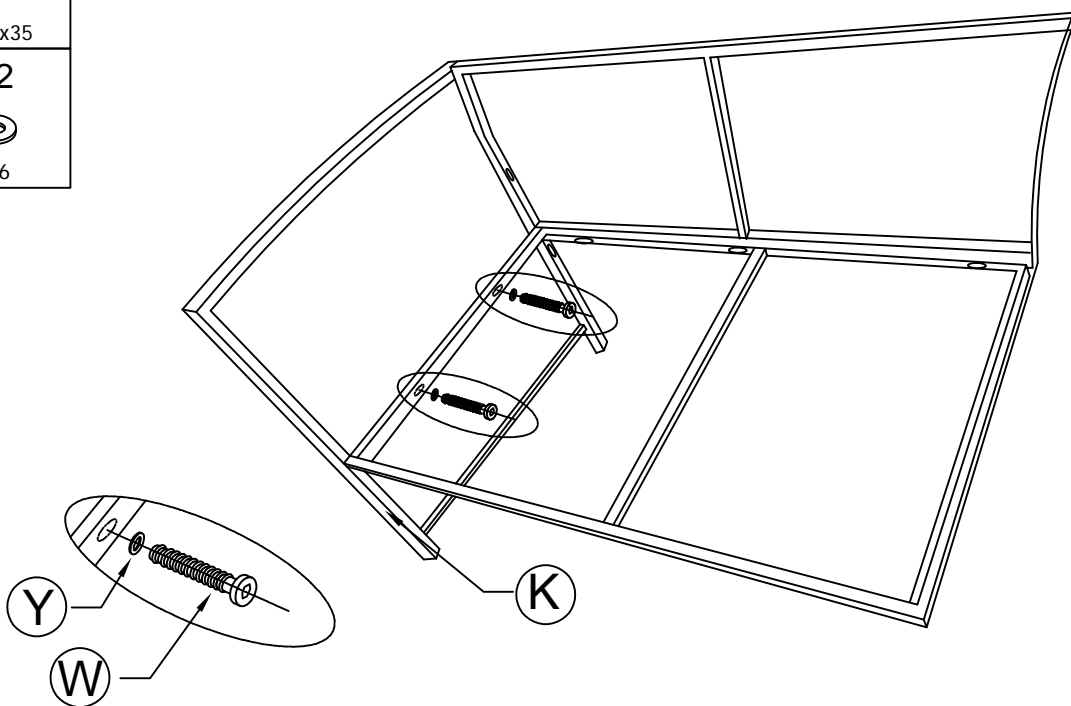
STEP 13

- | | |
|---|-------|
| W | x3 |
|  | |
| | M6x35 |
| Y | x3 |
|  | |
| | M6 |





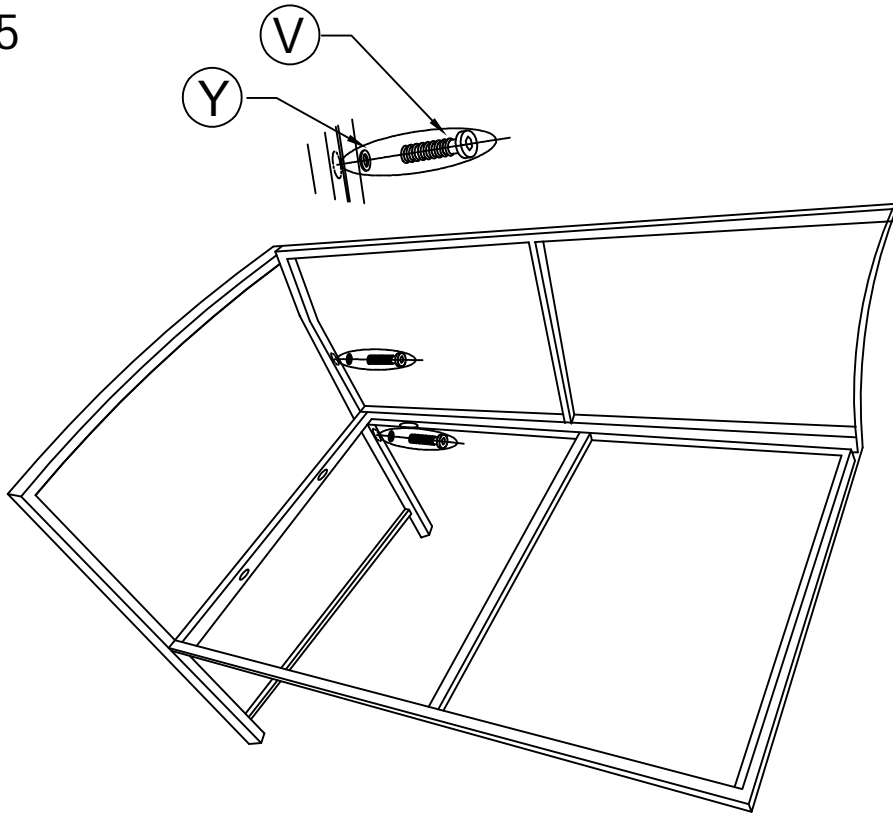
STEP 14

- | | |
|---|-------|
| W | x2 |
|  | |
| | M6x35 |
| Y | x2 |
|  | |
| | M6 |





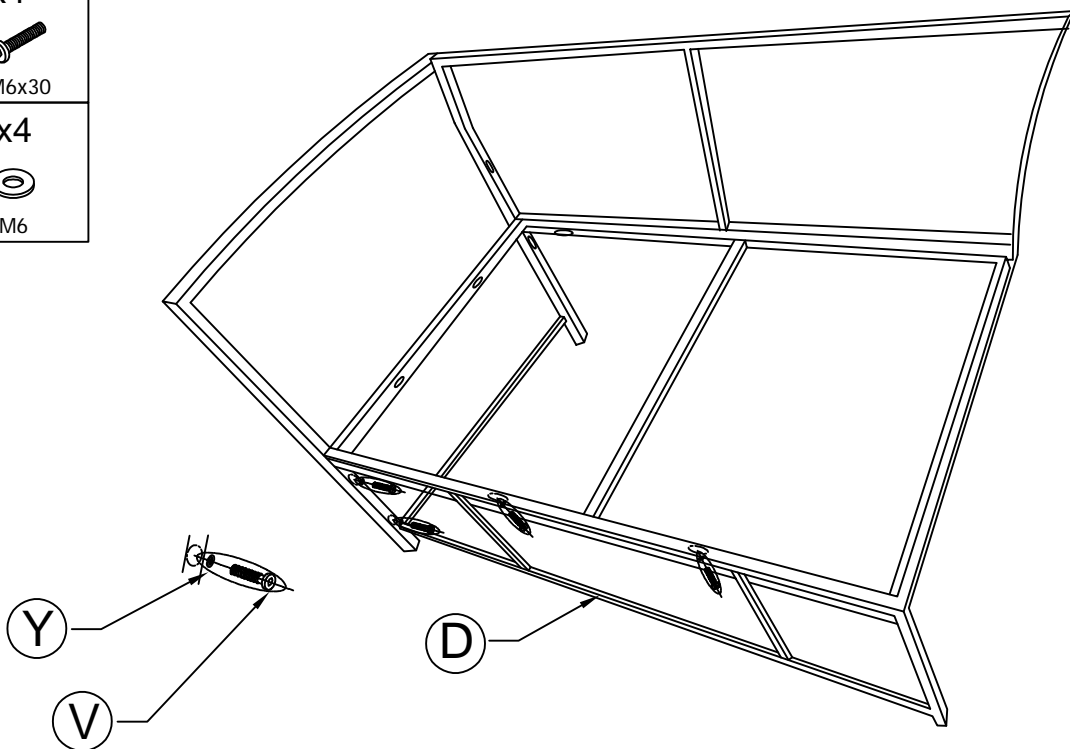
STEP 15

V	x2
	
	M6x30
Y	x2
	
	M6





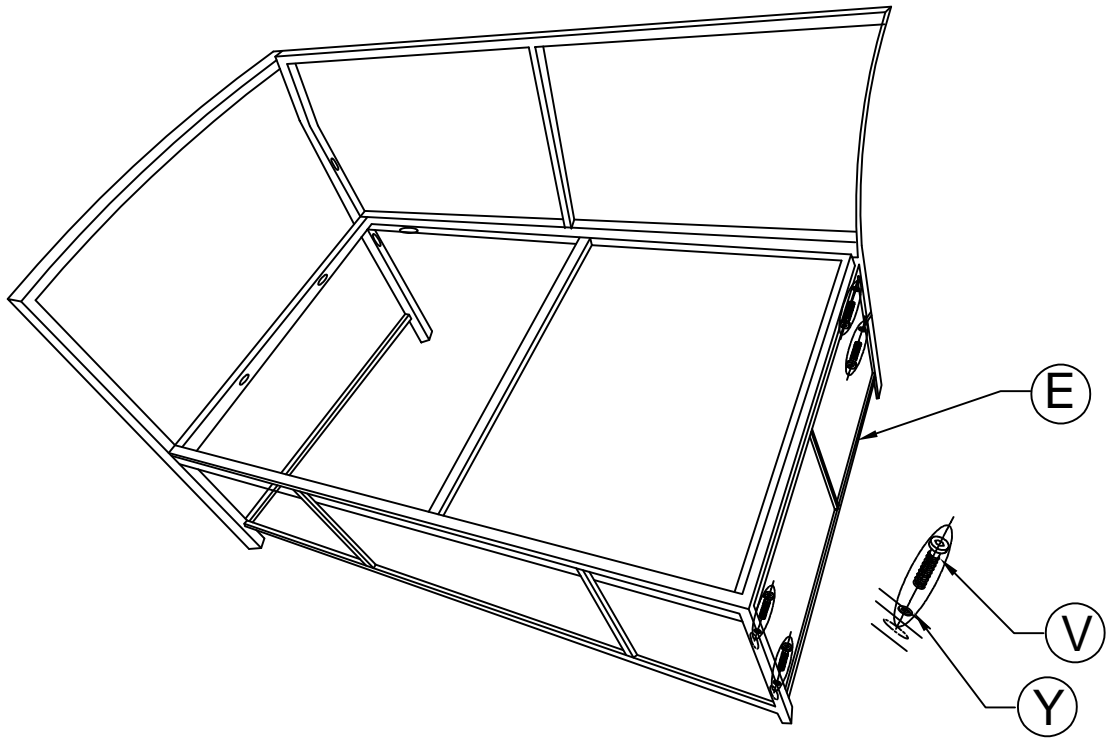
STEP 16

V	x4
	
	M6x30
Y	x4
	
	M6

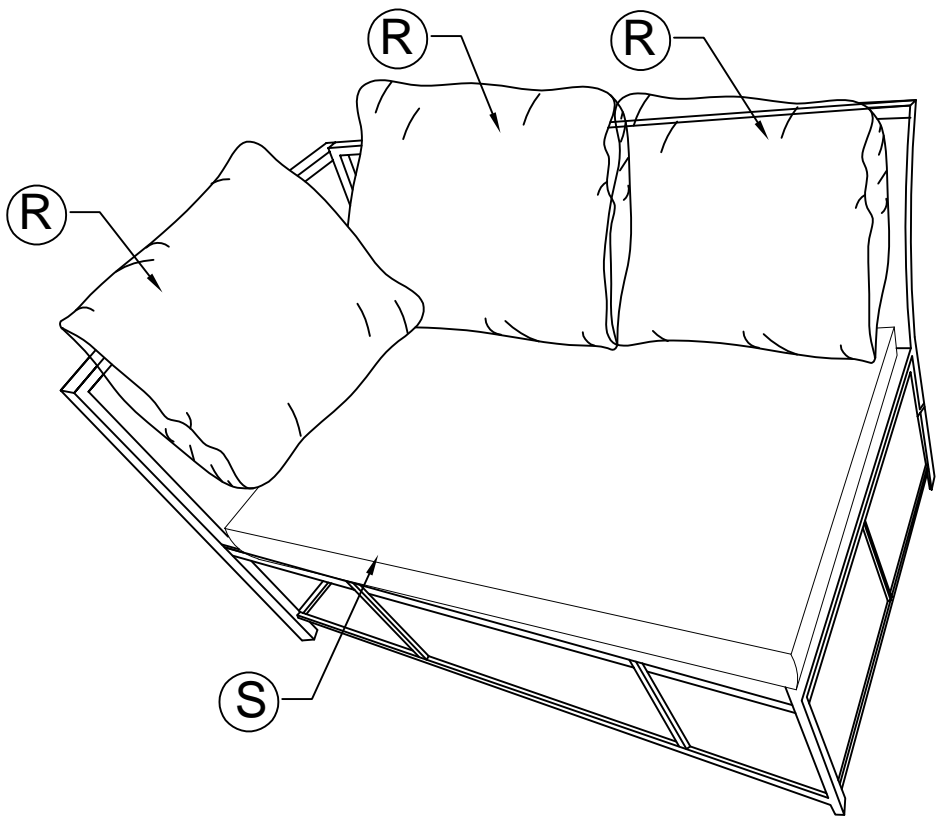


STEP 17



- | | |
|---|-------|
| V | x4 |
|  | |
| | M6x30 |
| Y | x4 |
|  | |
| | M6 |

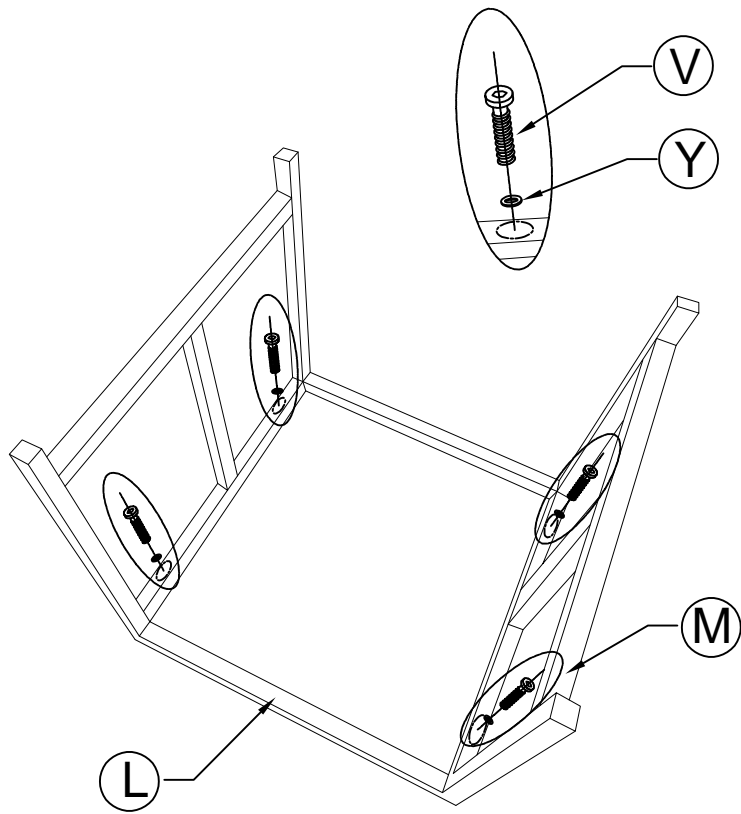


STEP 18





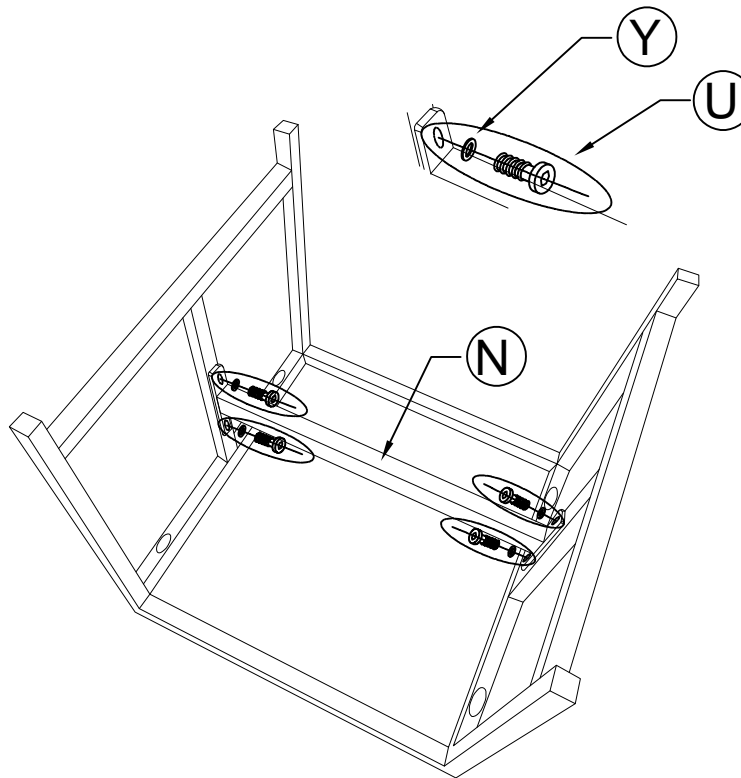
STEP 19 X3

V	x4
	M6x30
Y	x4
	M6

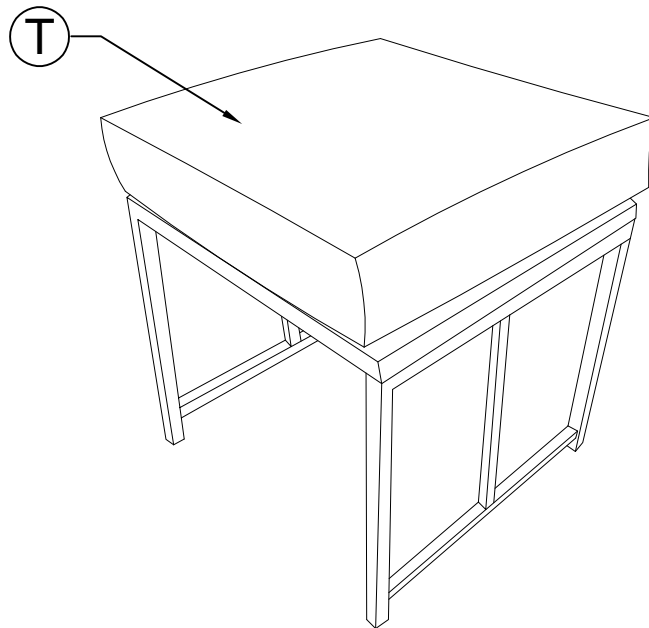


STEP 20 X3



U	x4
	M6x15
Y	x4
	M6

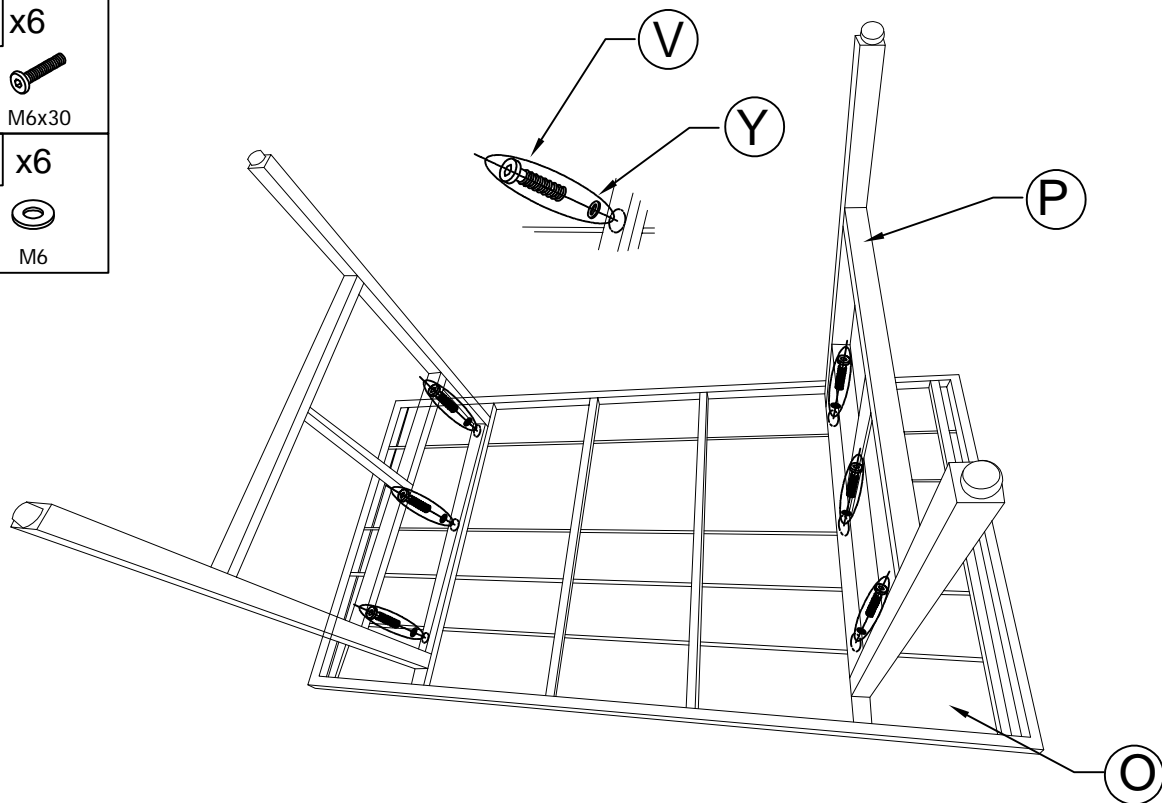


STEP 21 X3





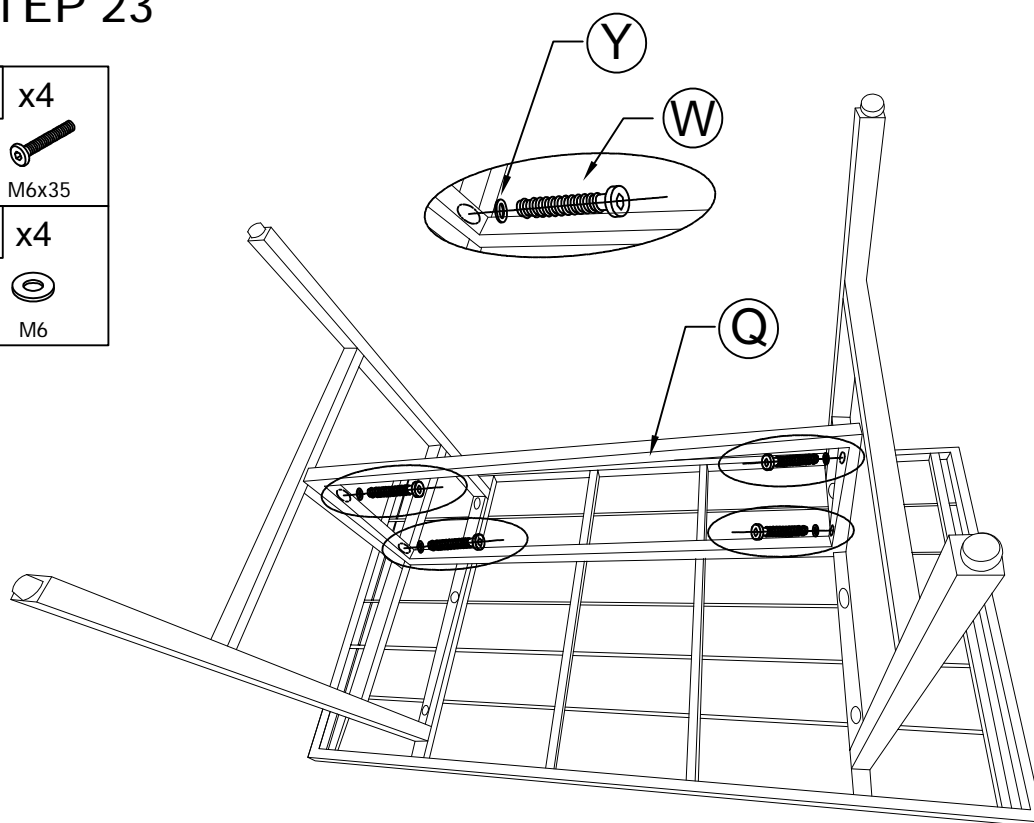
STEP 22

V	x6
	
M6x30	
Y	x6
	
M6	

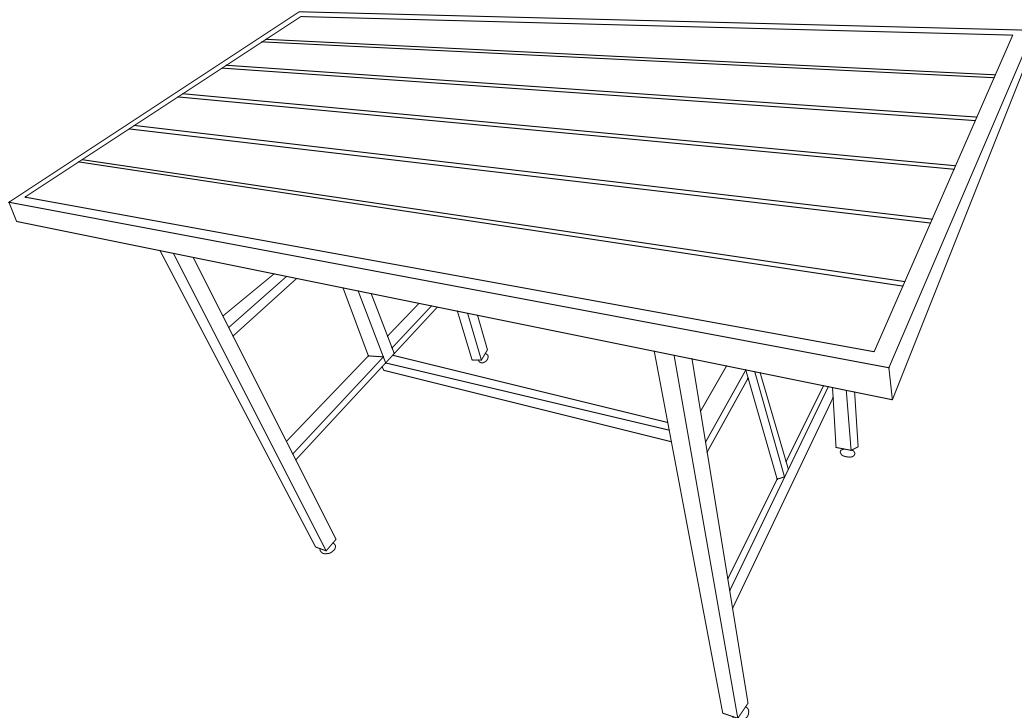


STEP 23

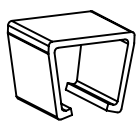
W	x4
	
	M6x35
Y	x4
	
	M6



STEP 24



STEP 25



4x

