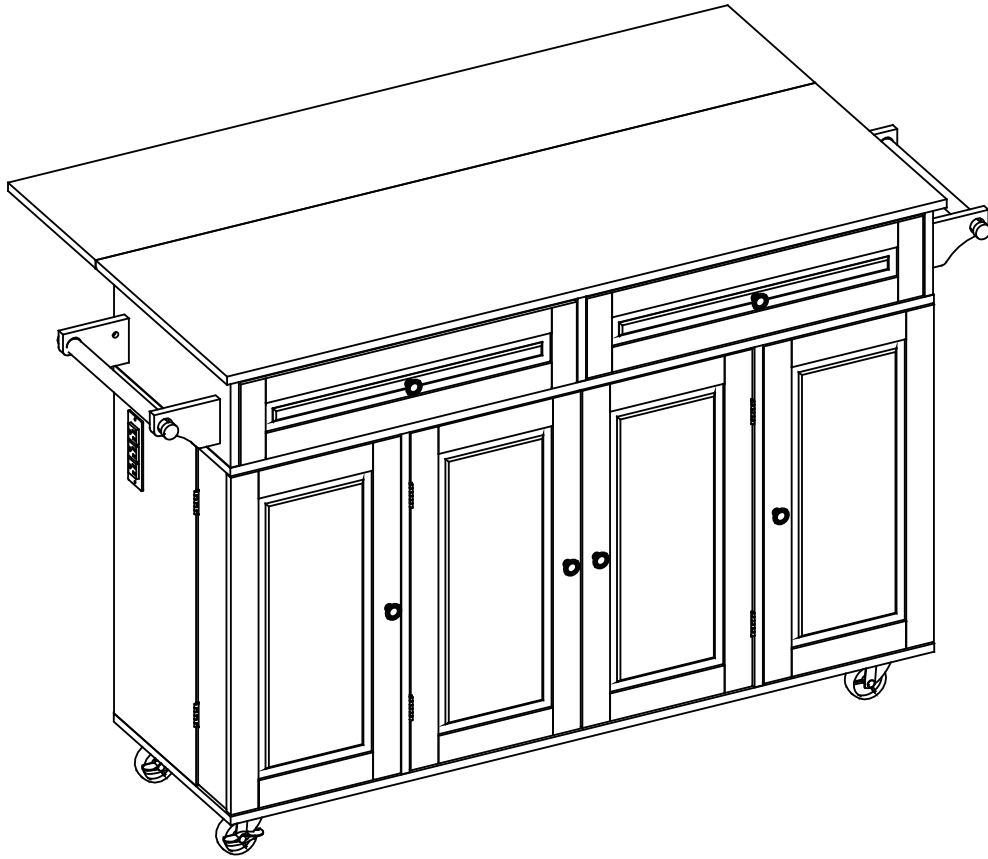
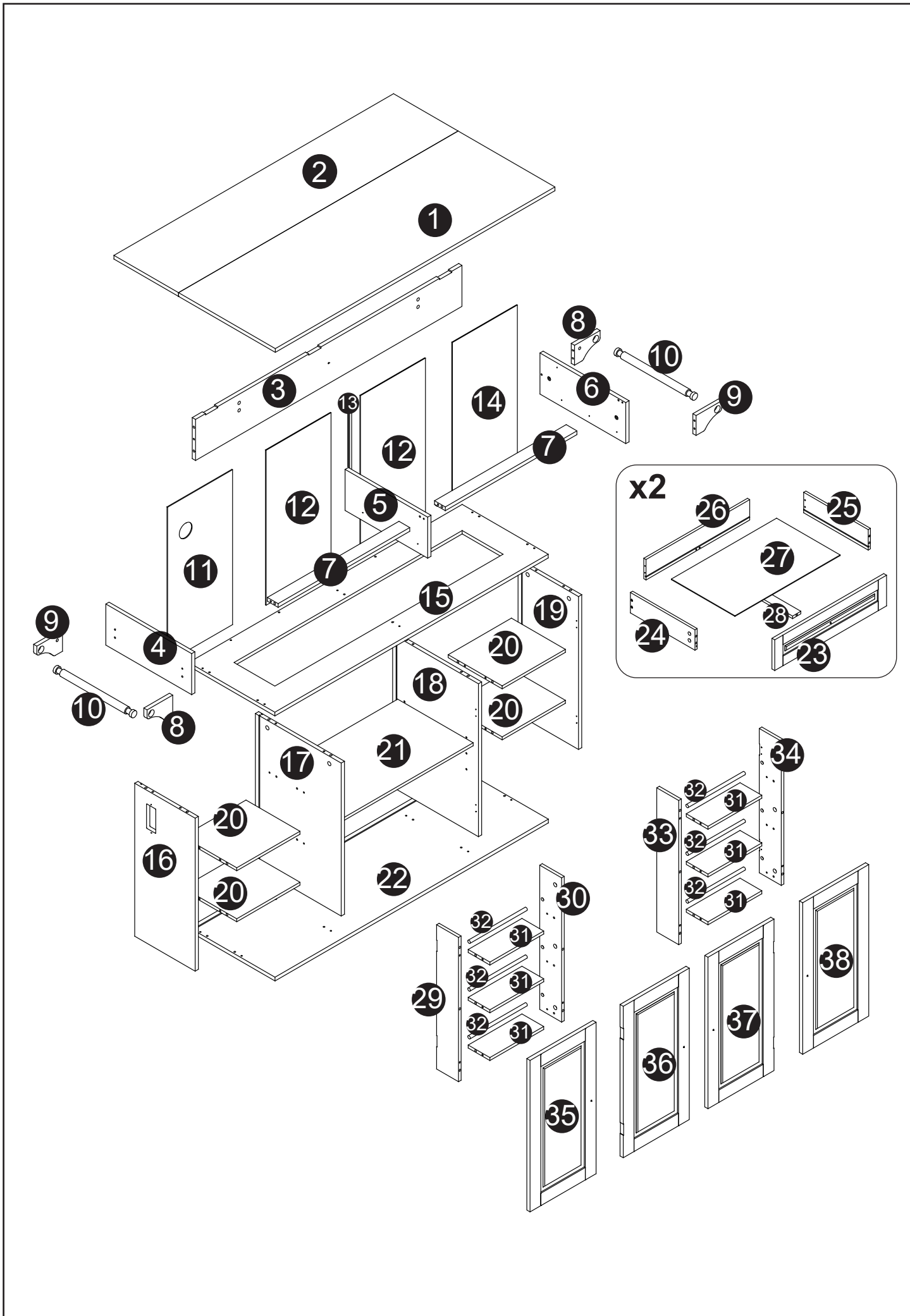
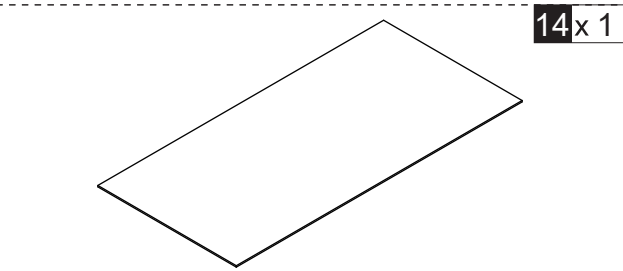
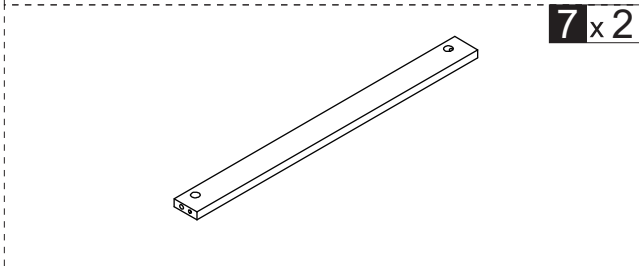
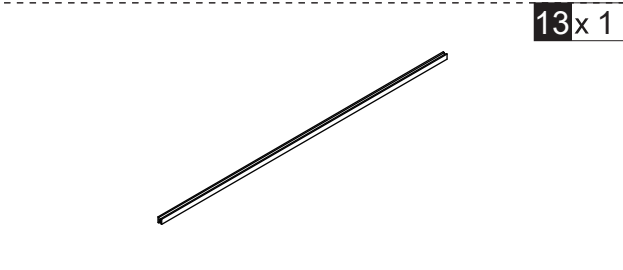
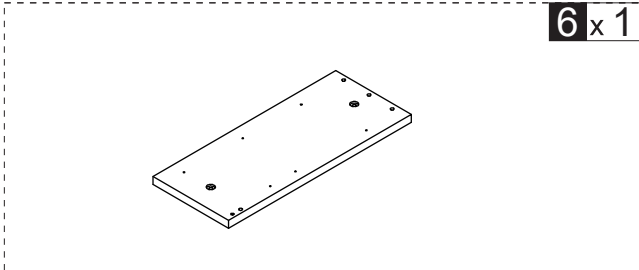
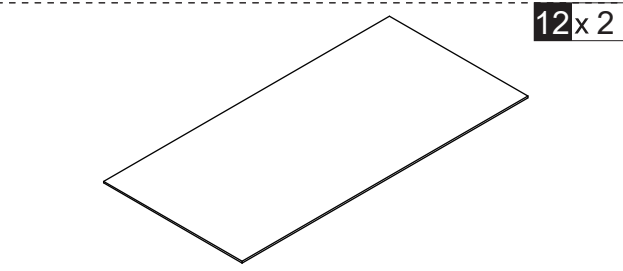
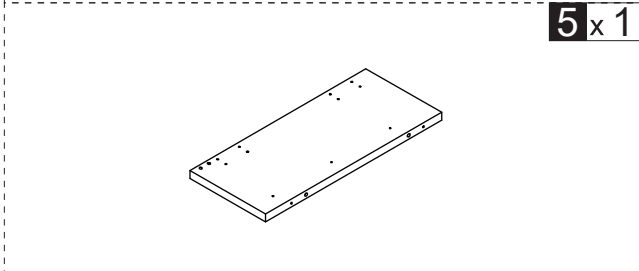
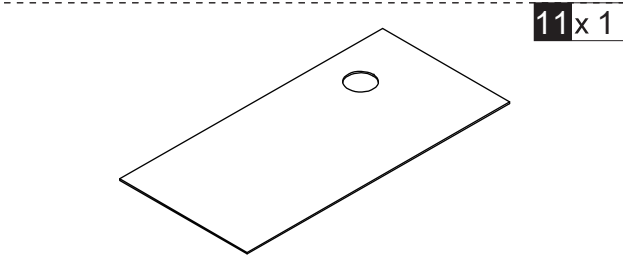
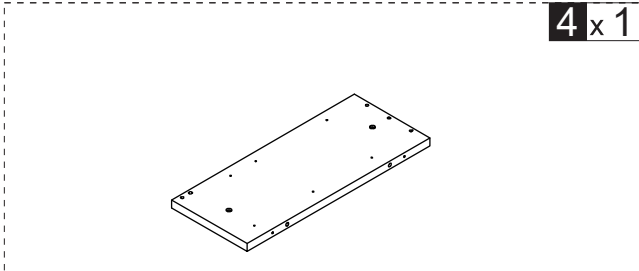
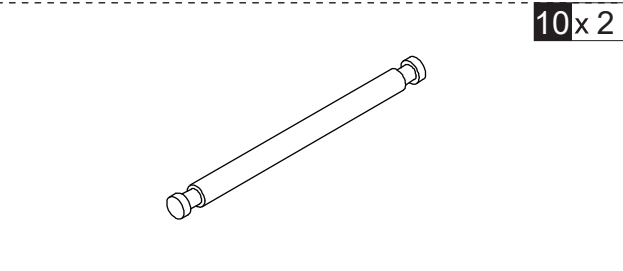
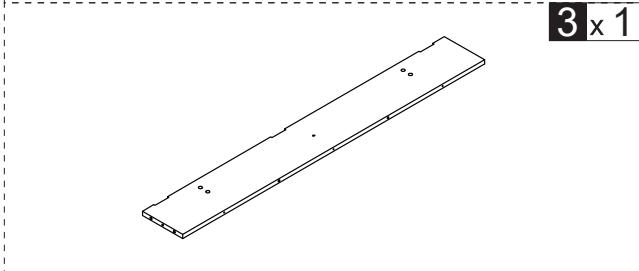
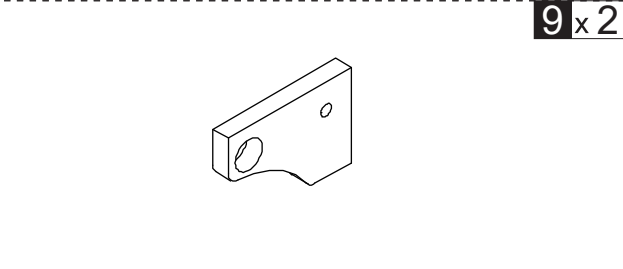
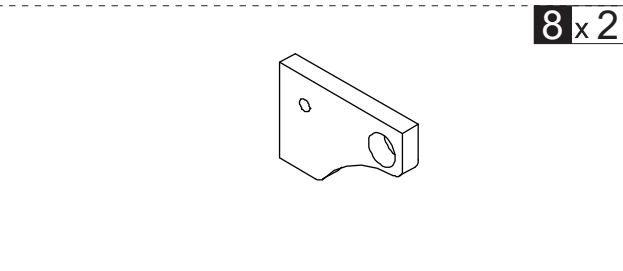
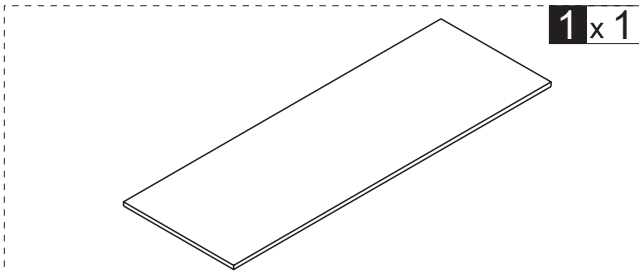


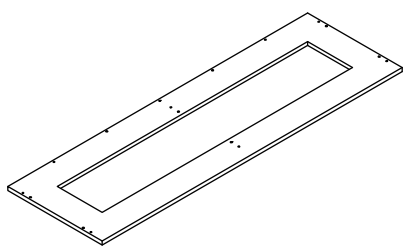
ASSEMBLY INSTRUCTION

HKDM067

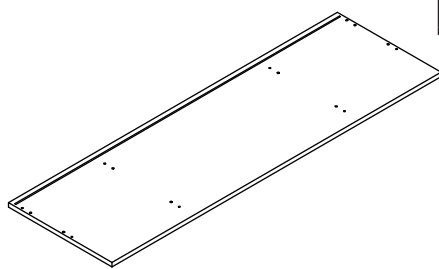




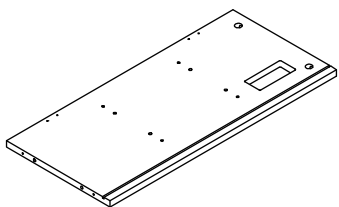




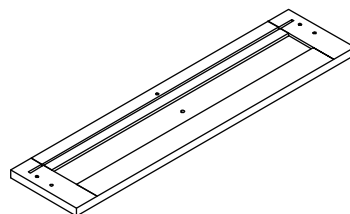
15x 1



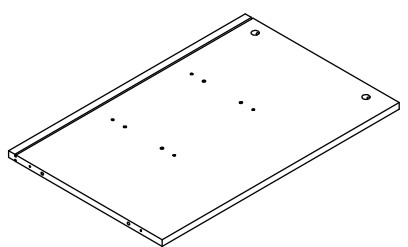
22x 1



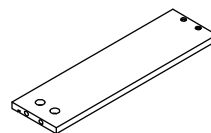
16x 1



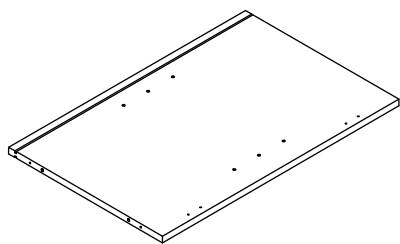
23x 2



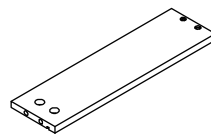
17x 1



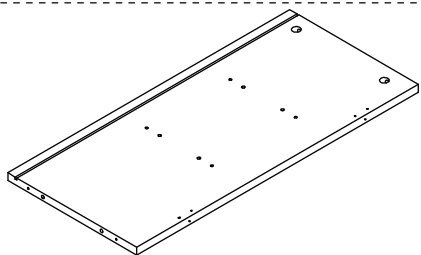
24x 2



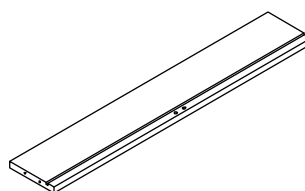
18x 1



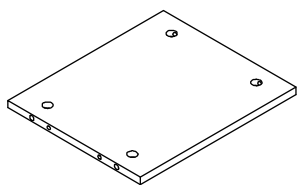
25x 2



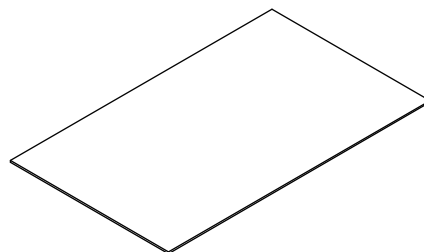
19x 1



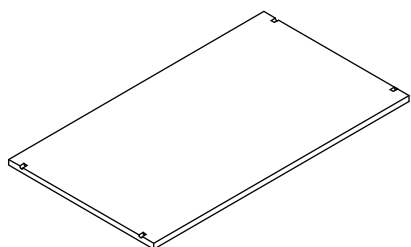
26x 2



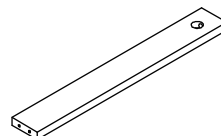
20x 4



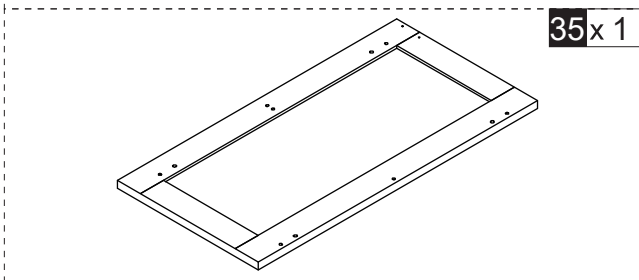
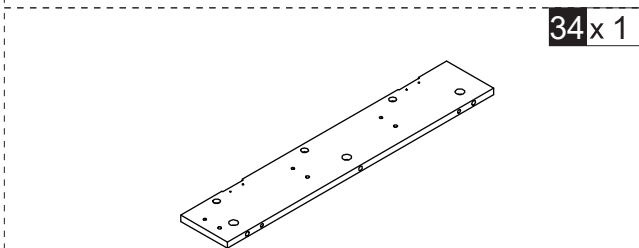
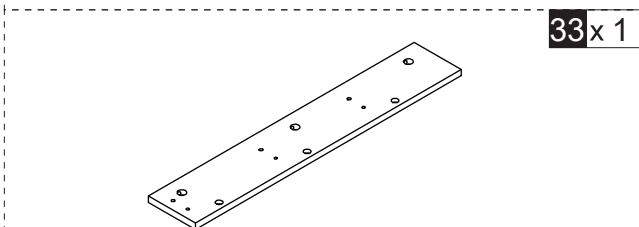
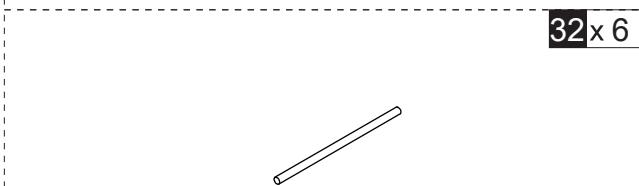
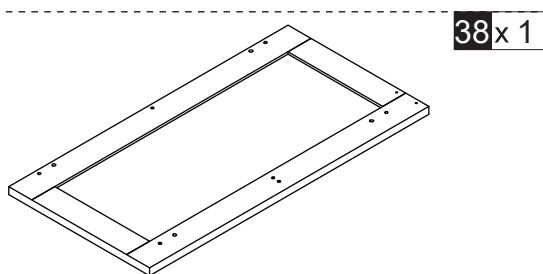
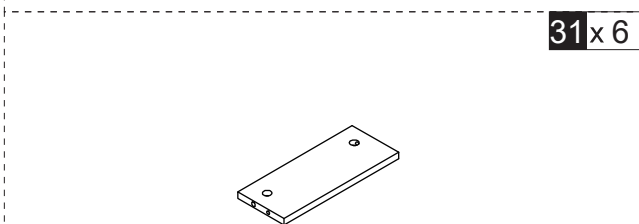
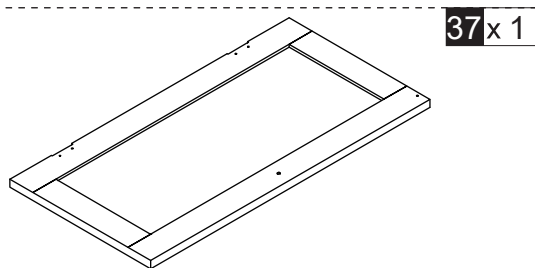
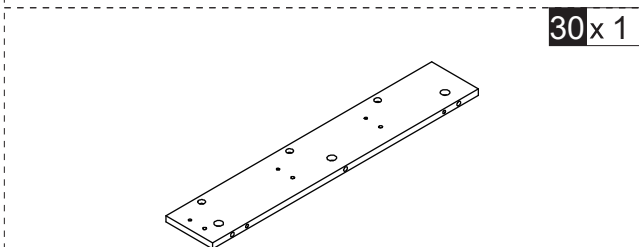
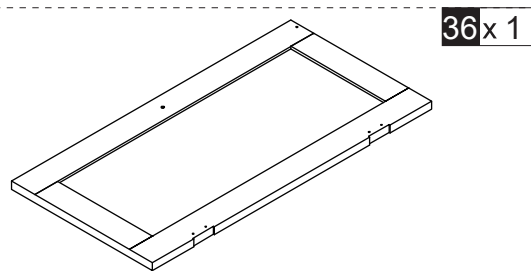
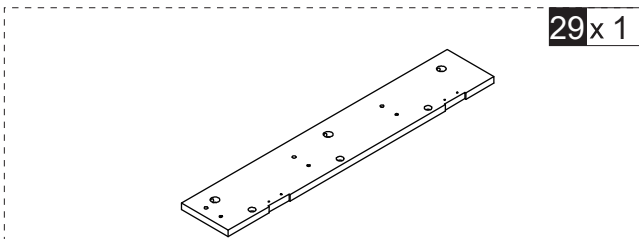
27x 2

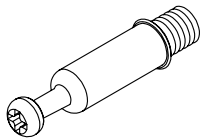
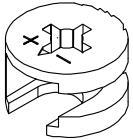
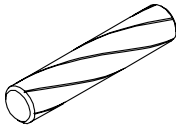
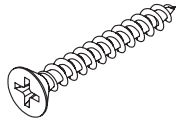
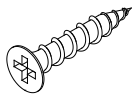
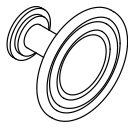

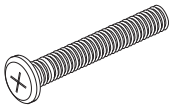
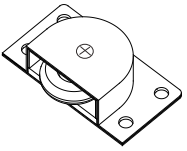
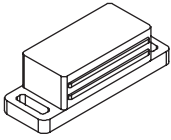
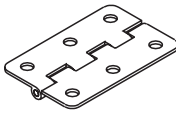
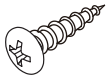
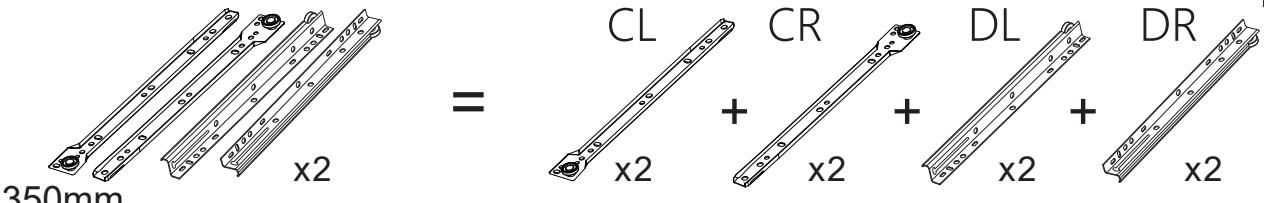
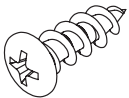
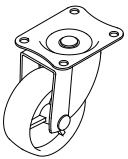
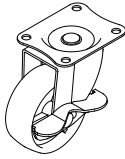
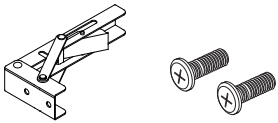
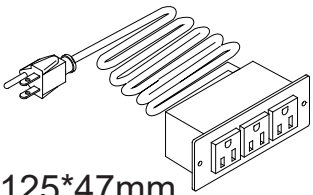
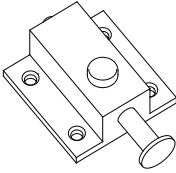
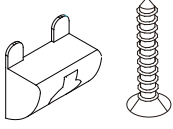
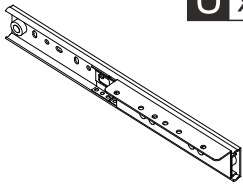
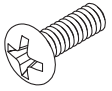
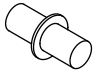
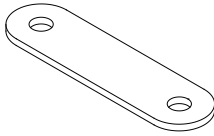
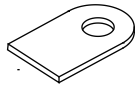
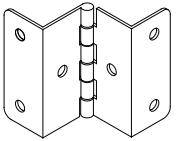
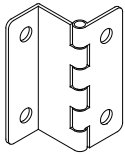
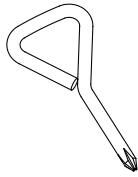


21x 1

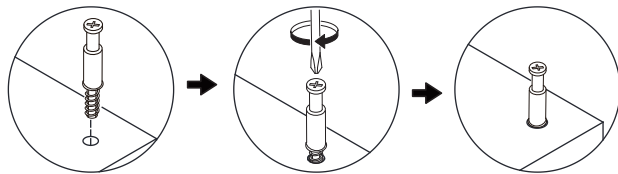
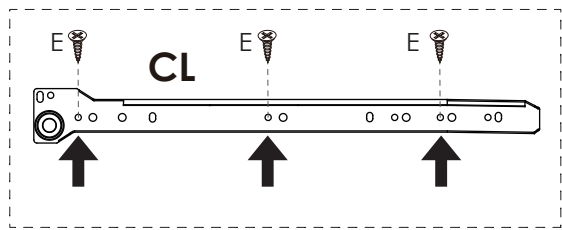
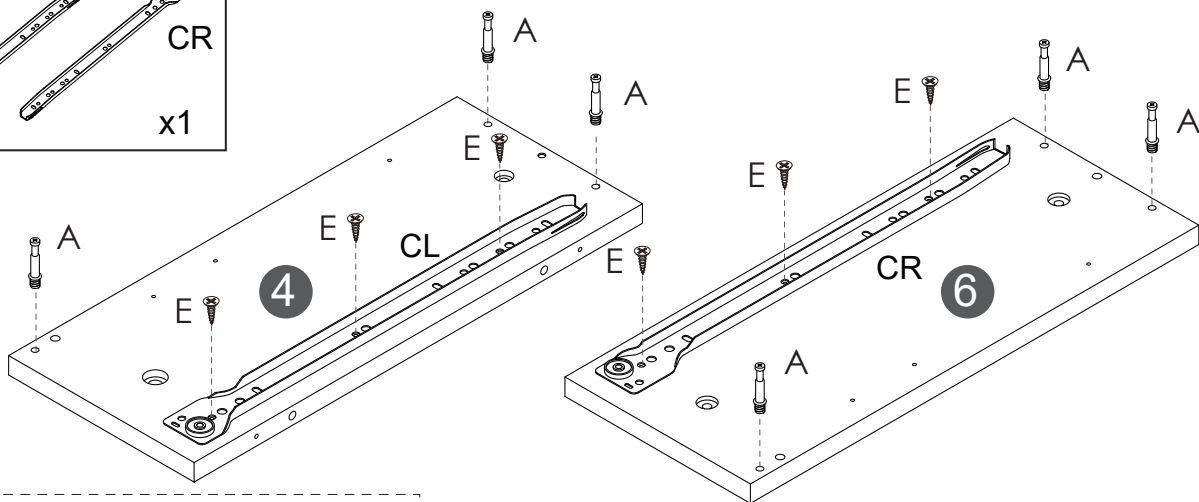
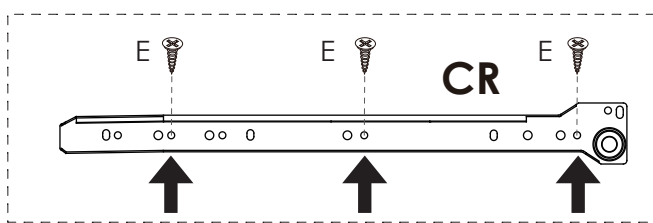
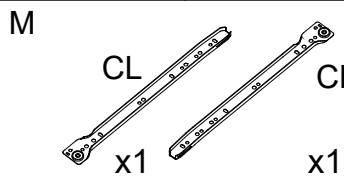
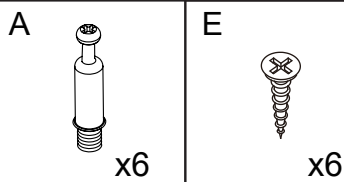


28x 2

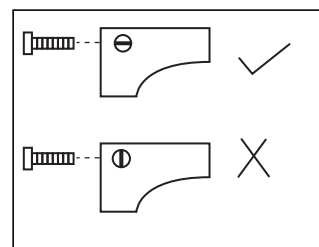
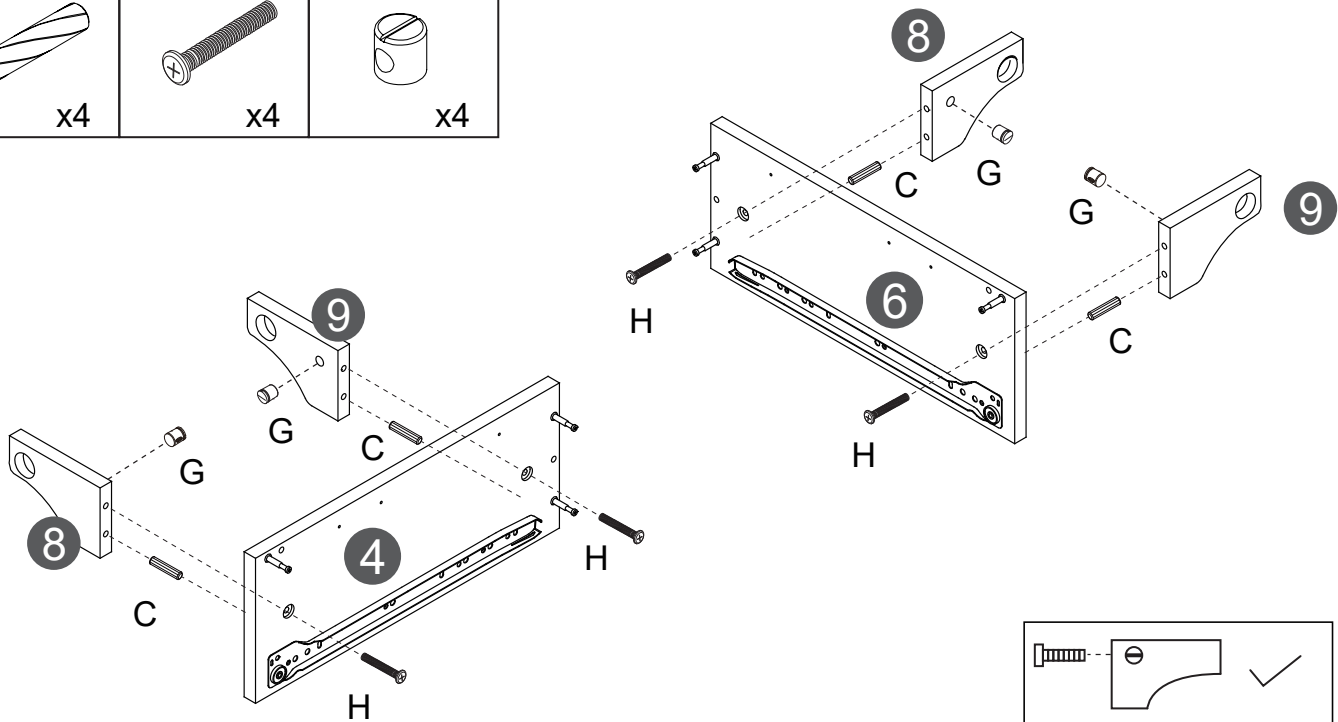
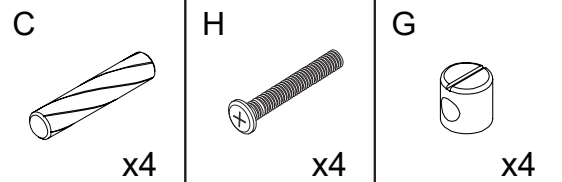


<p>A x66</p>  <p>6x35mm</p>	<p>B x66</p>  <p>15x9.5mm</p>	<p>C x70</p>  <p>6x30mm</p>	<p>D x30</p>  <p>4x40mm</p>
<p>E x110</p>  <p>3x14mm</p>	<p>F x6</p> 	<p>G x4</p>  <p>6x10mm</p>	<p>H x4</p>  <p>6x45mm</p>
<p>I x2</p>  <p>58x31mm</p>	<p>J x3</p> 	<p>K x3</p> 	<p>L x6</p>  <p>3x16mm</p>
<p>M x2</p>  <p>350mm</p>			
<p>N x20</p>  <p>5x14mm</p>	<p>O x3</p> 	<p>P x2</p> 	<p>Q x2</p>  <p>150*73mm 6x16mm</p>
<p>R x1</p>  <p>125*47mm</p>	<p>S x1</p> 	<p>T x16</p>  <p>3x16mm</p>	<p>U x2</p>  <p>300mm</p>
<p>V x6</p>  <p>4x12mm</p>	<p>W x4</p>  <p>5x17mm</p>	<p>X x2</p>  <p>45x12mm</p>	<p>Y x2</p>  <p>23x12mm</p>
<p>Z x4</p> 	<p>A-1 x4</p> 	<p>B-1 x1</p> 	

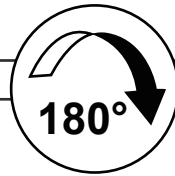
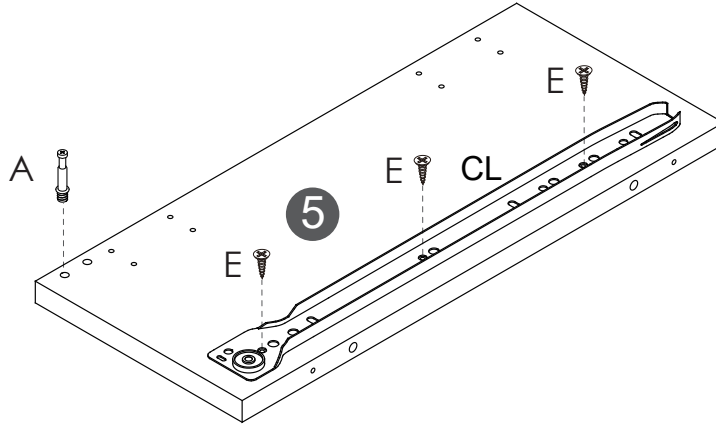
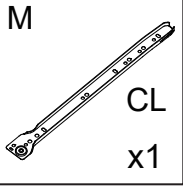
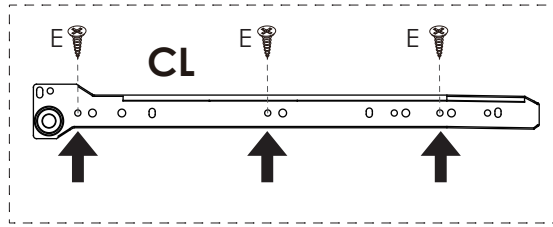
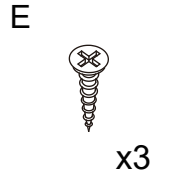
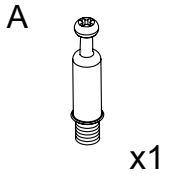
You will need



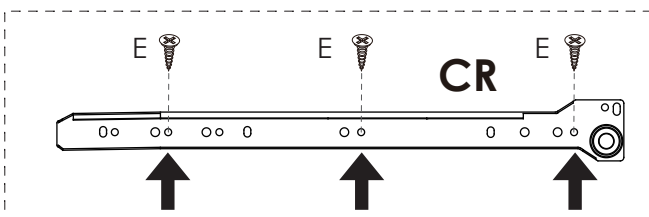
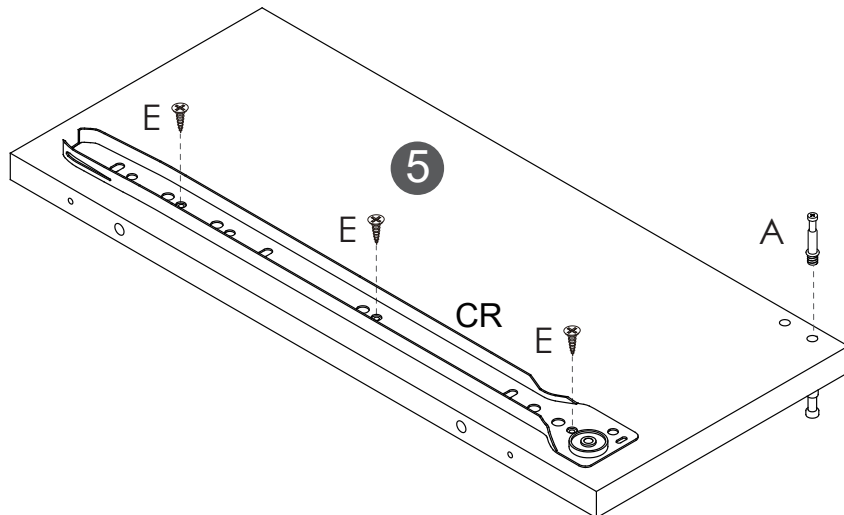
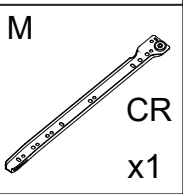
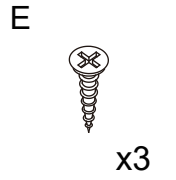
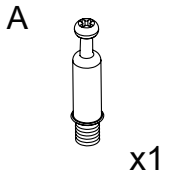
You will need



You will need



You will need



You will need

C

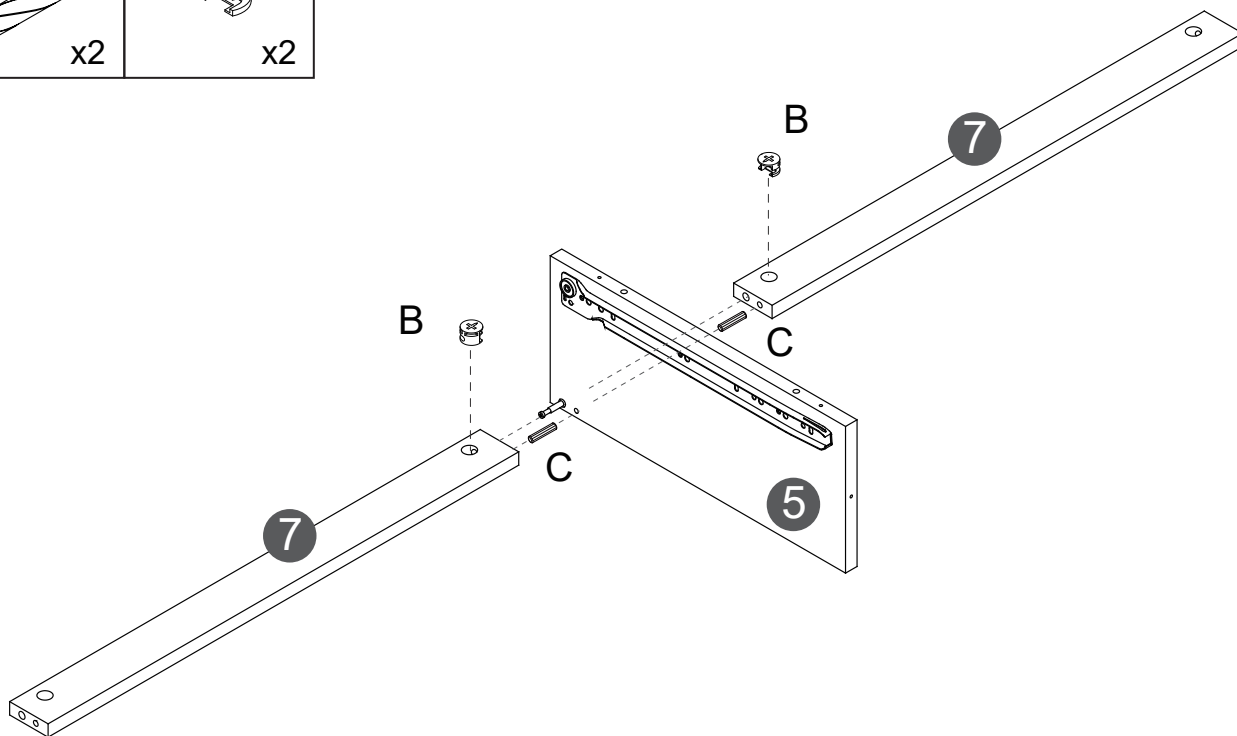


x2

B

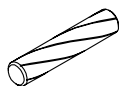


x2



You will need

C

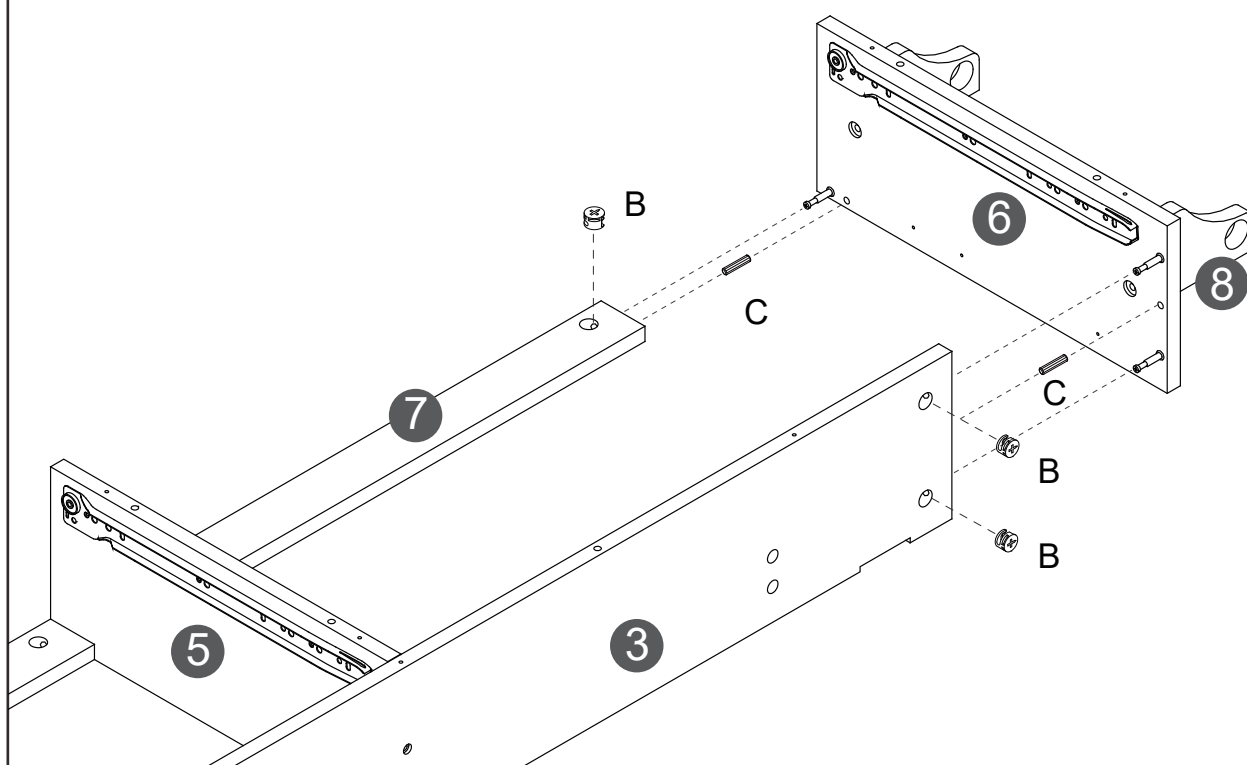


x2

B

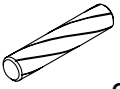


x3



You will need

C



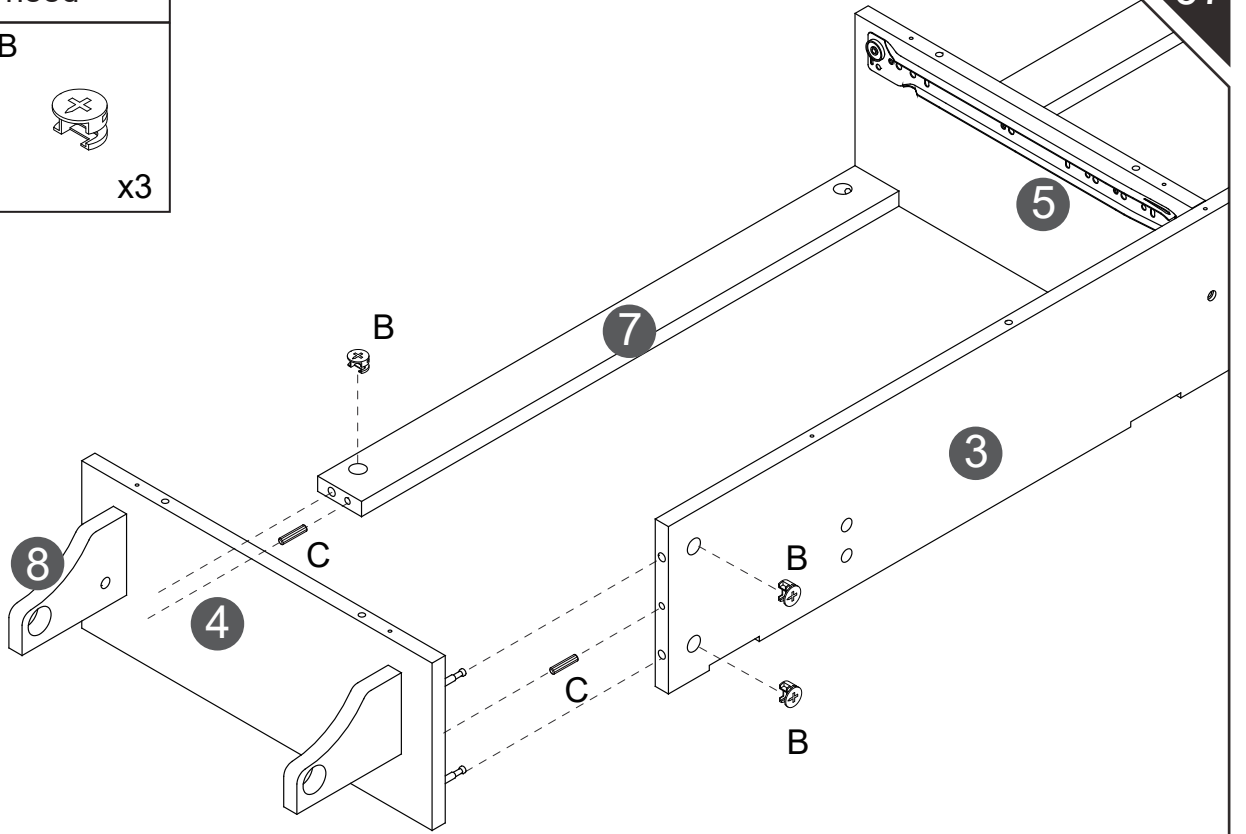
x2

B



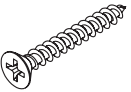
x3

07



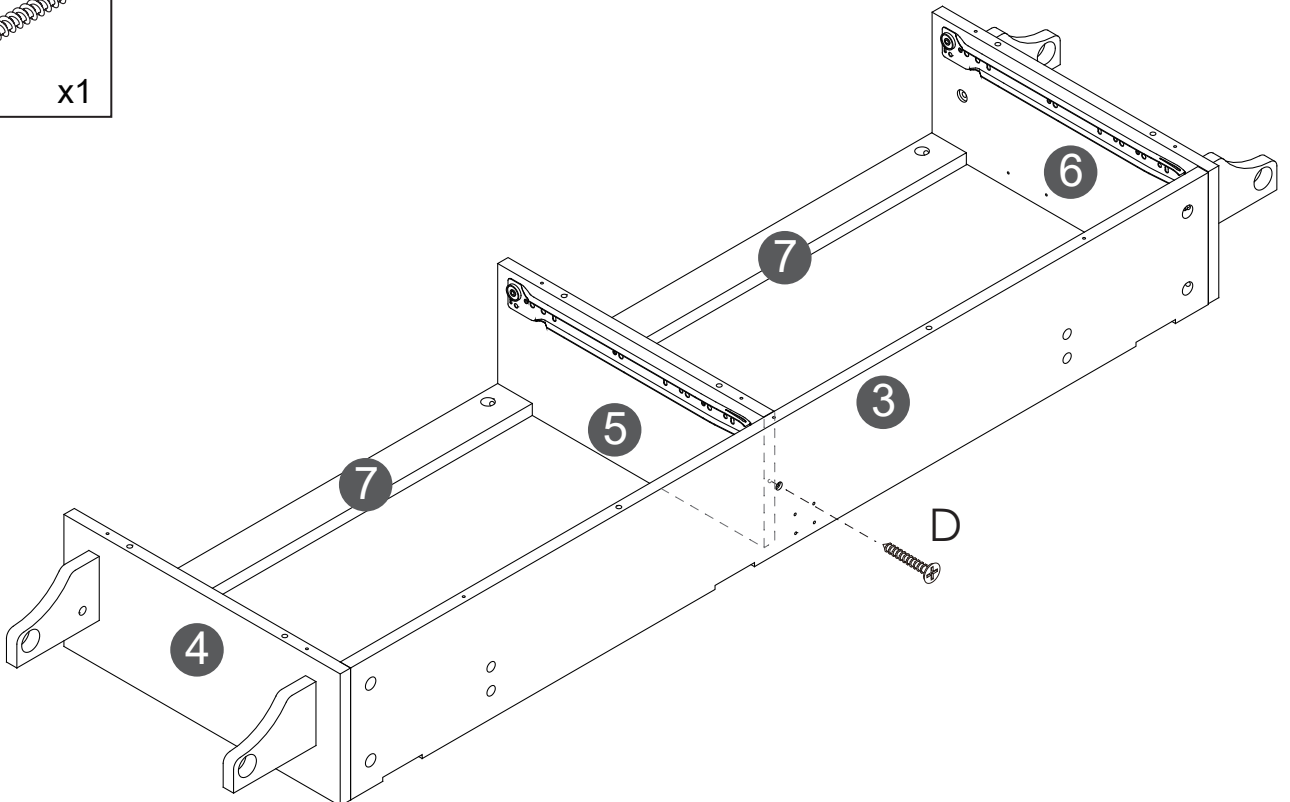
You will need

D



x1

08



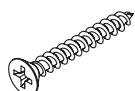
You will need

C



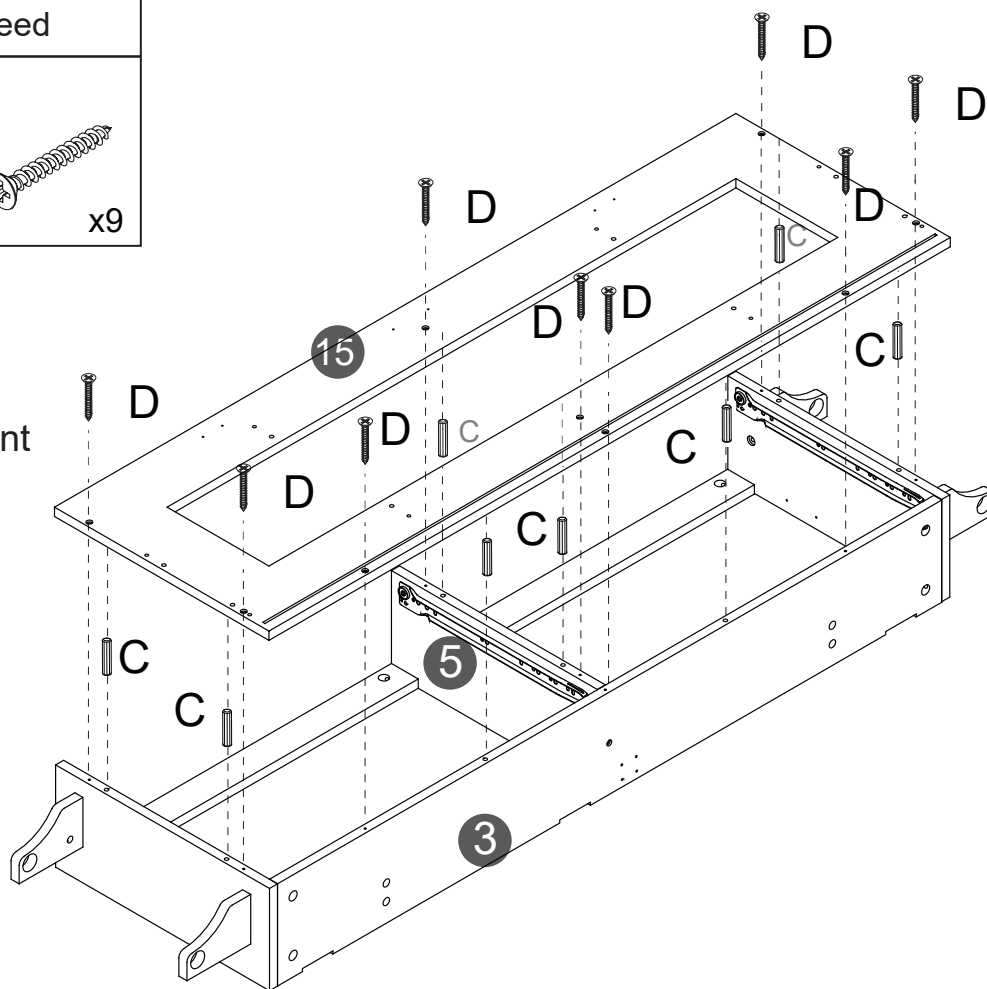
x8

D



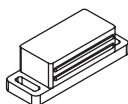
x9

Front



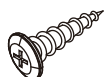
You will need

J



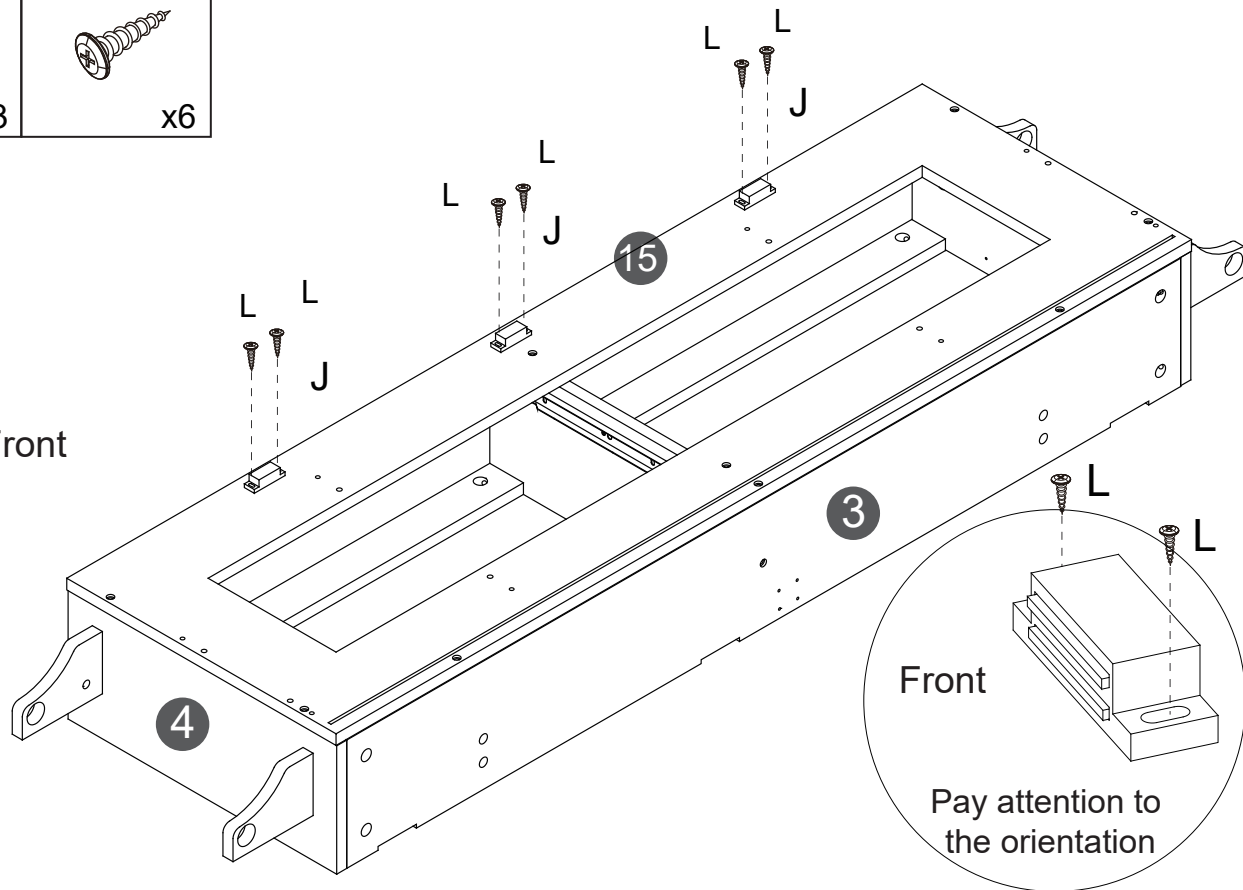
x3

L



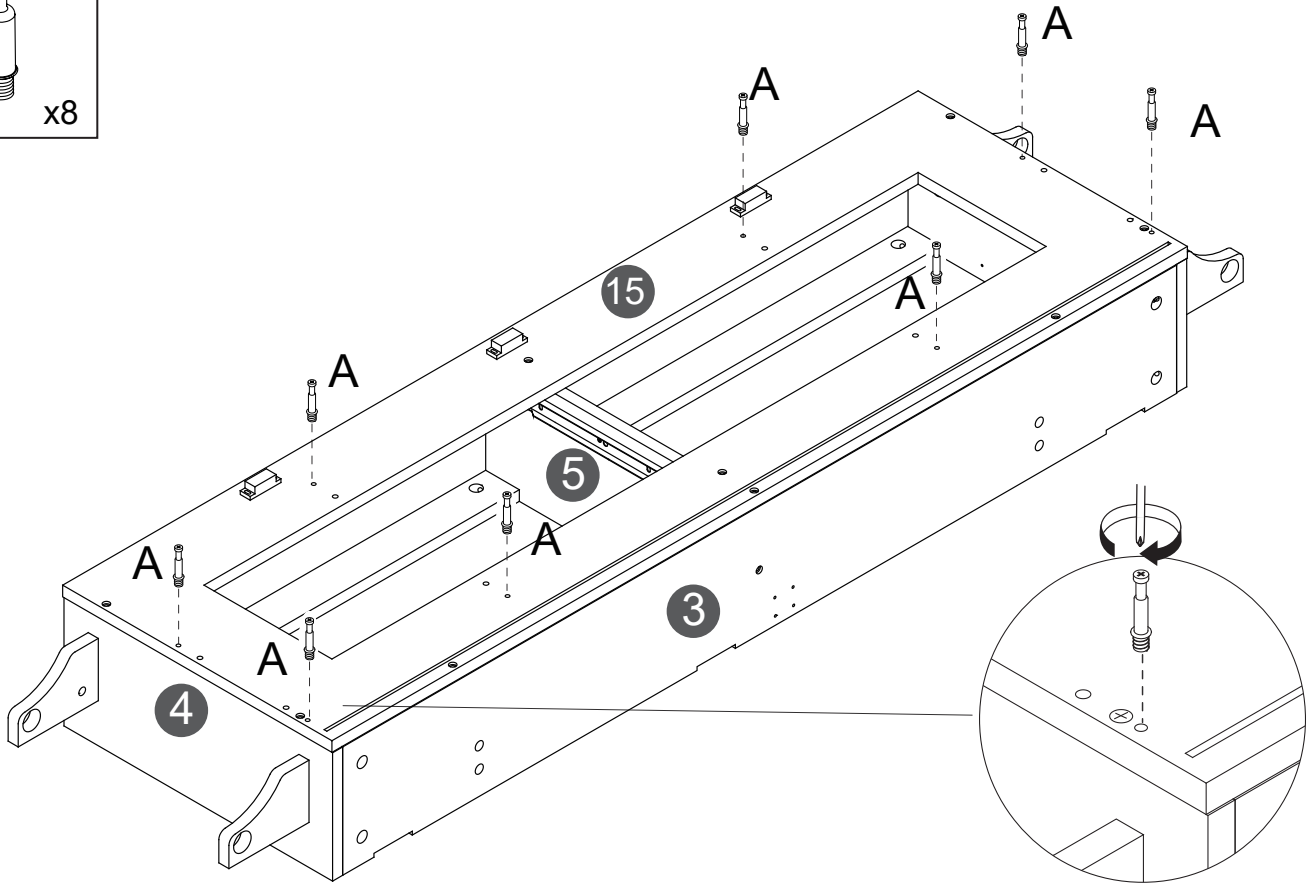
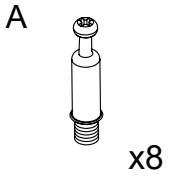
x6

Front



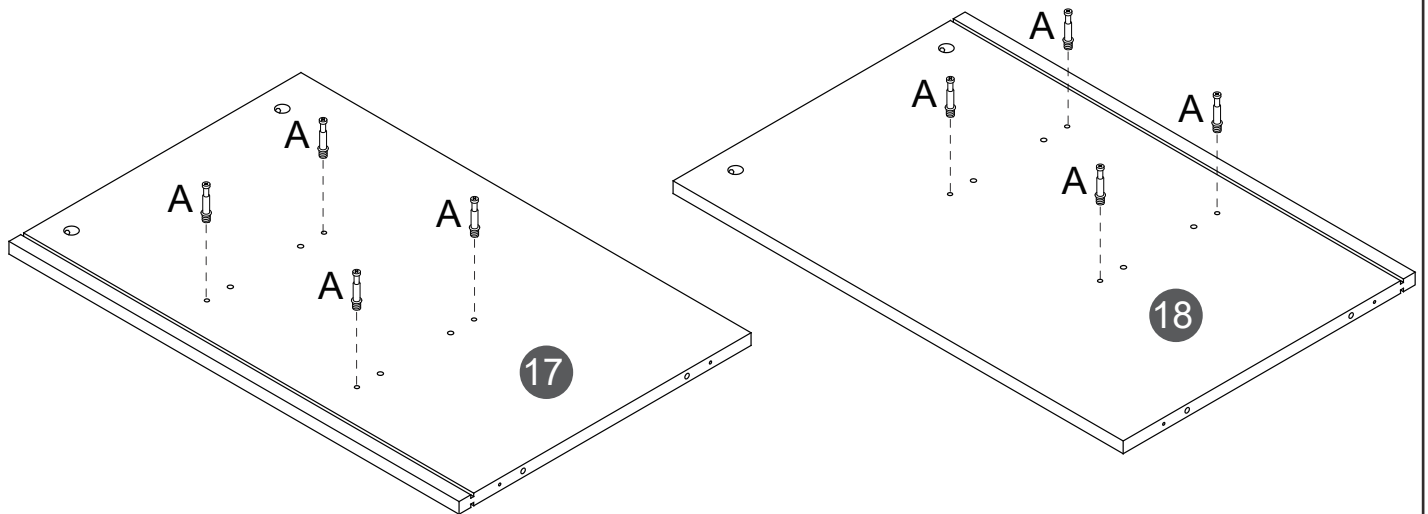
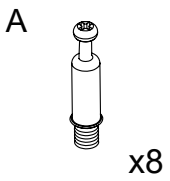
You will need

11



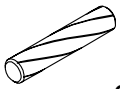
You will need

12



You will need

C

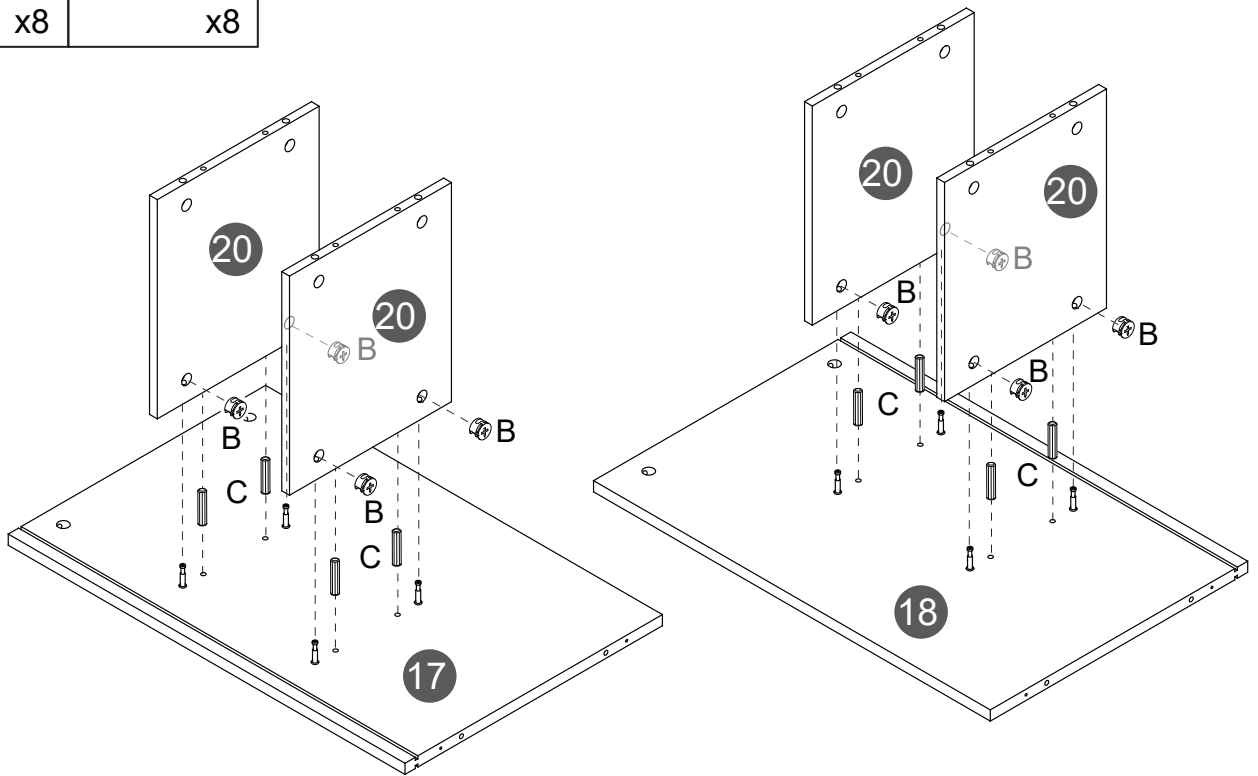


x8

B



x8

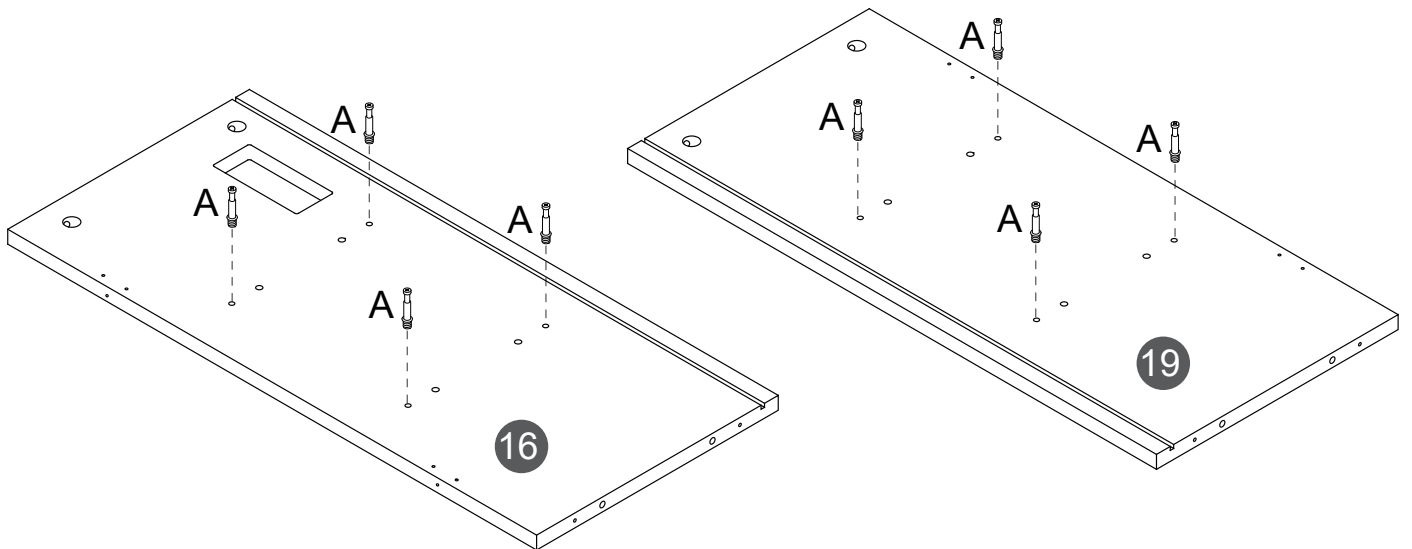


You will need

A

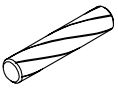


x8



You will need

C

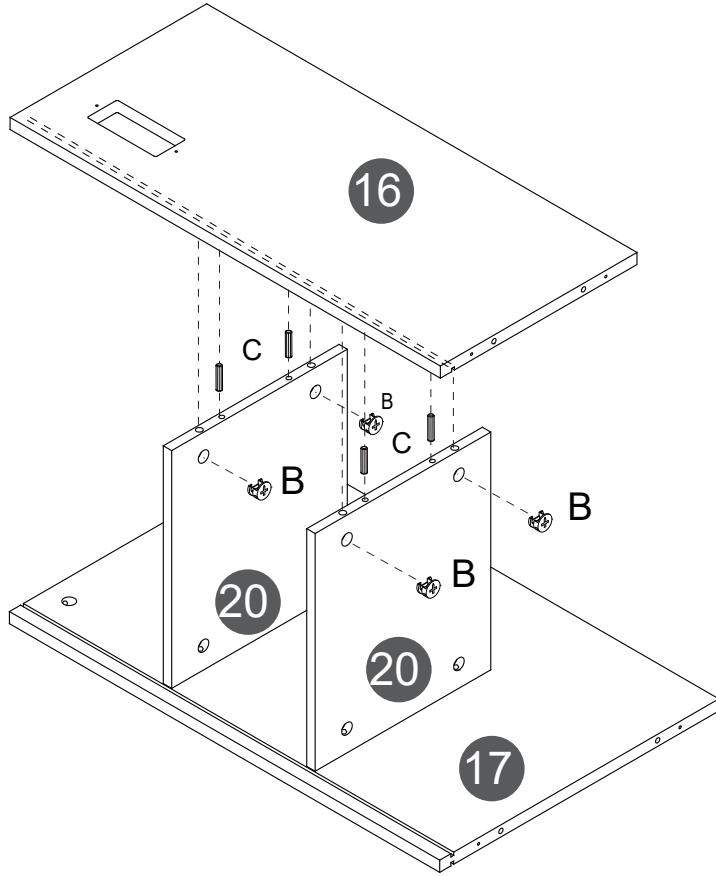


x4

B

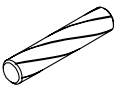


x4



You will need

C

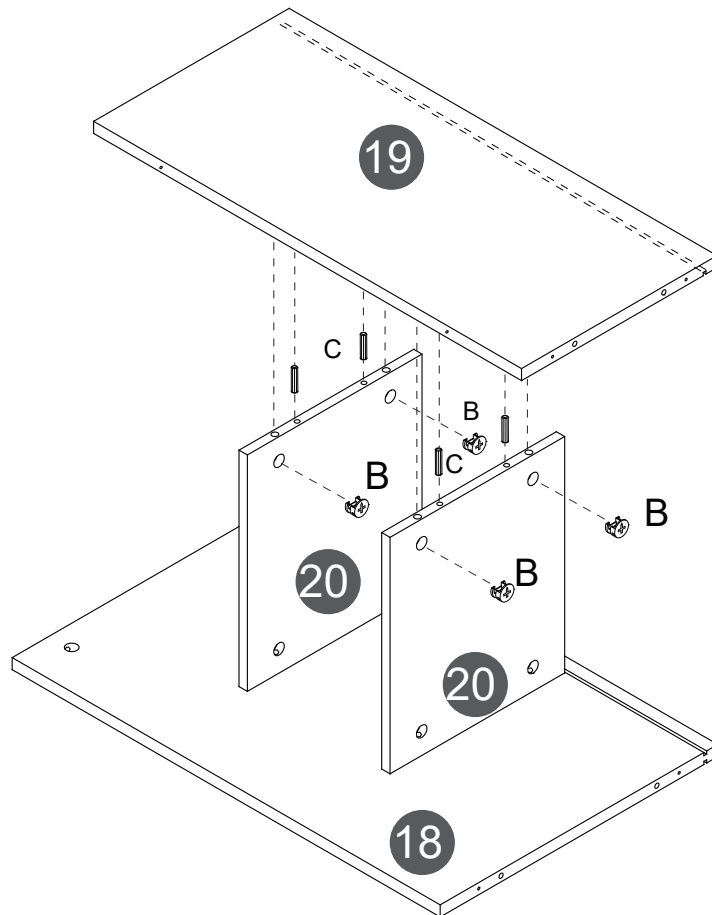


x4

B

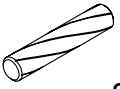


x4

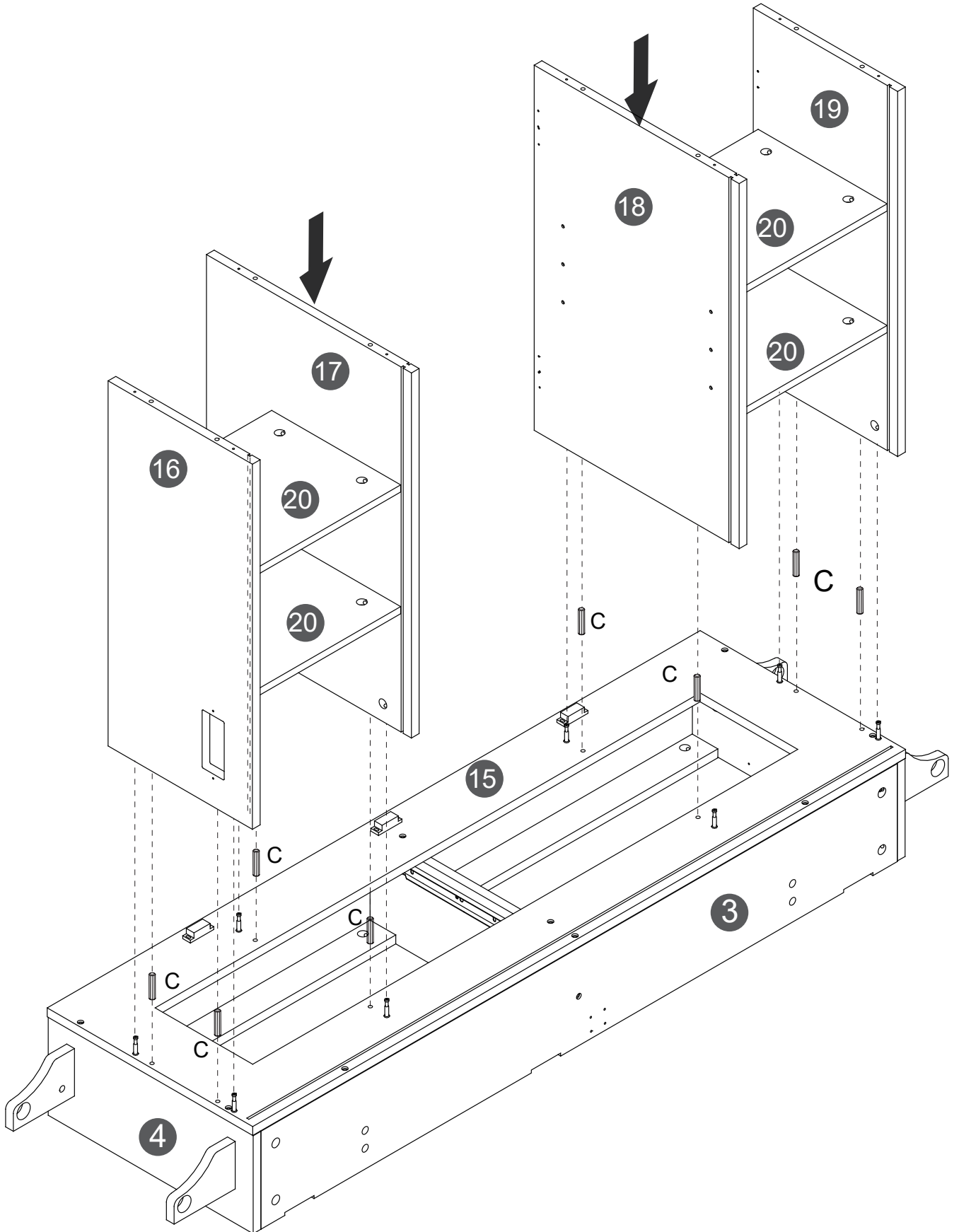


You will need

C



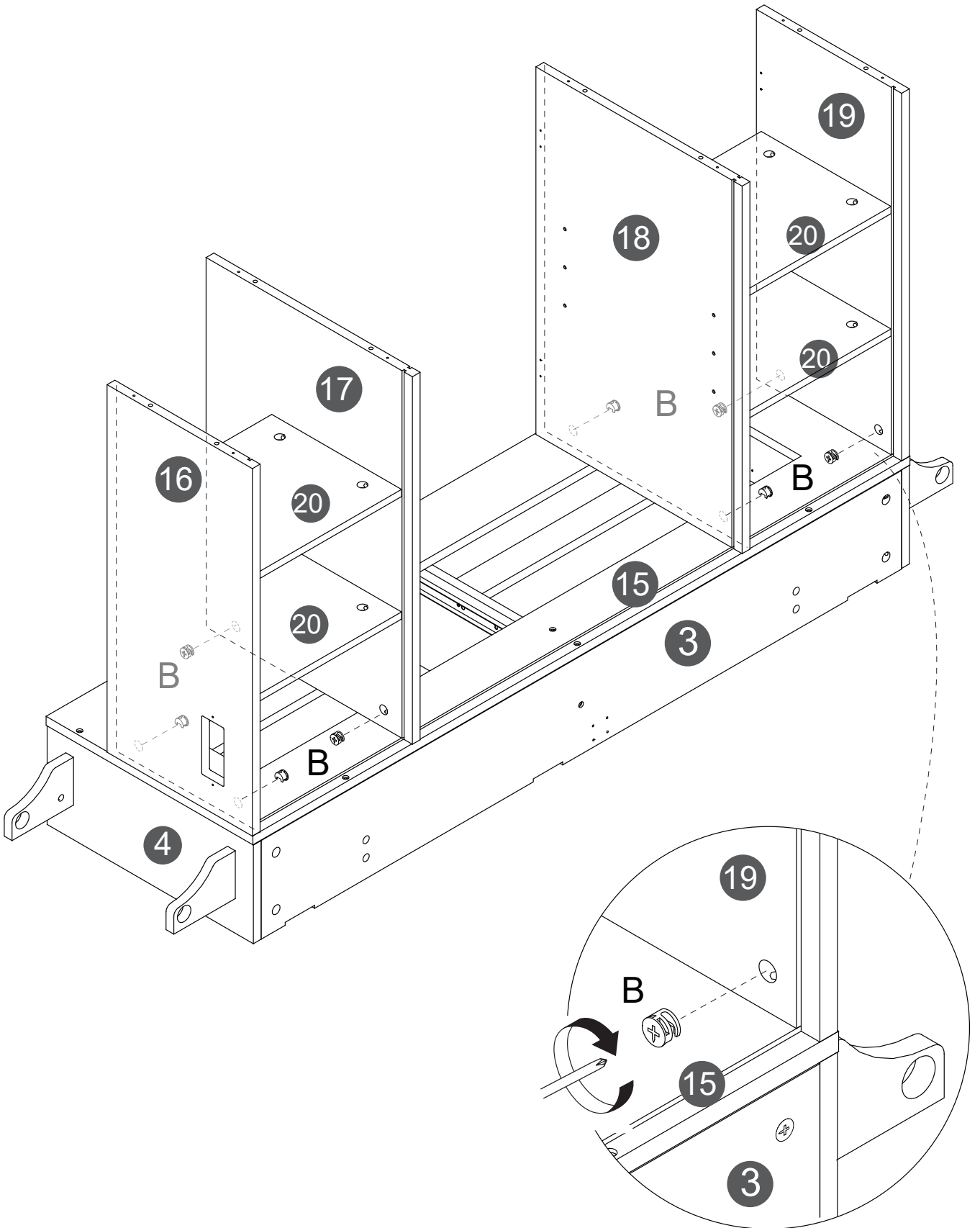
x8

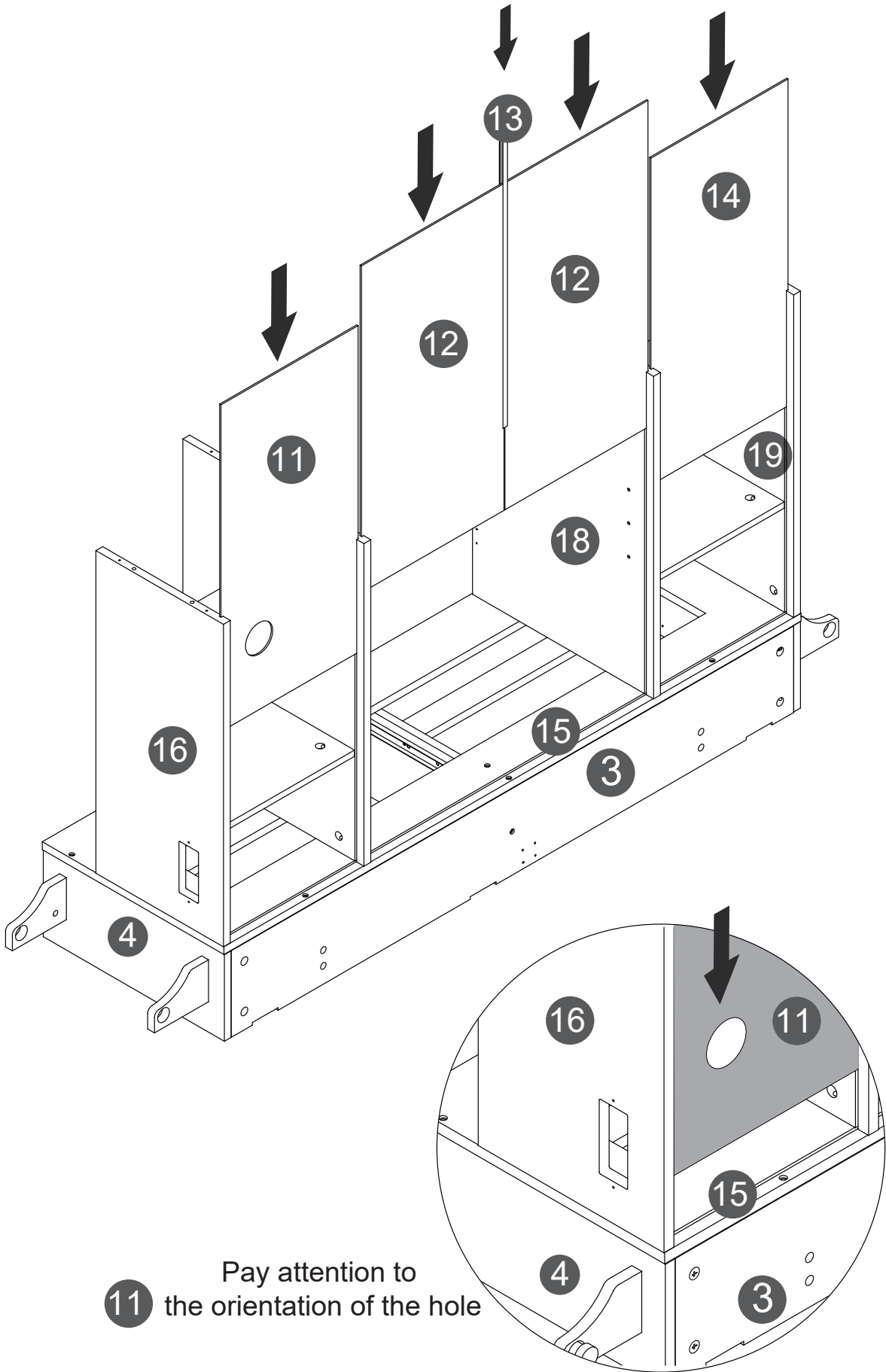


B



x8





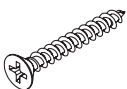
You will need

C

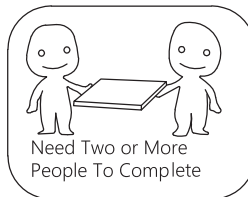
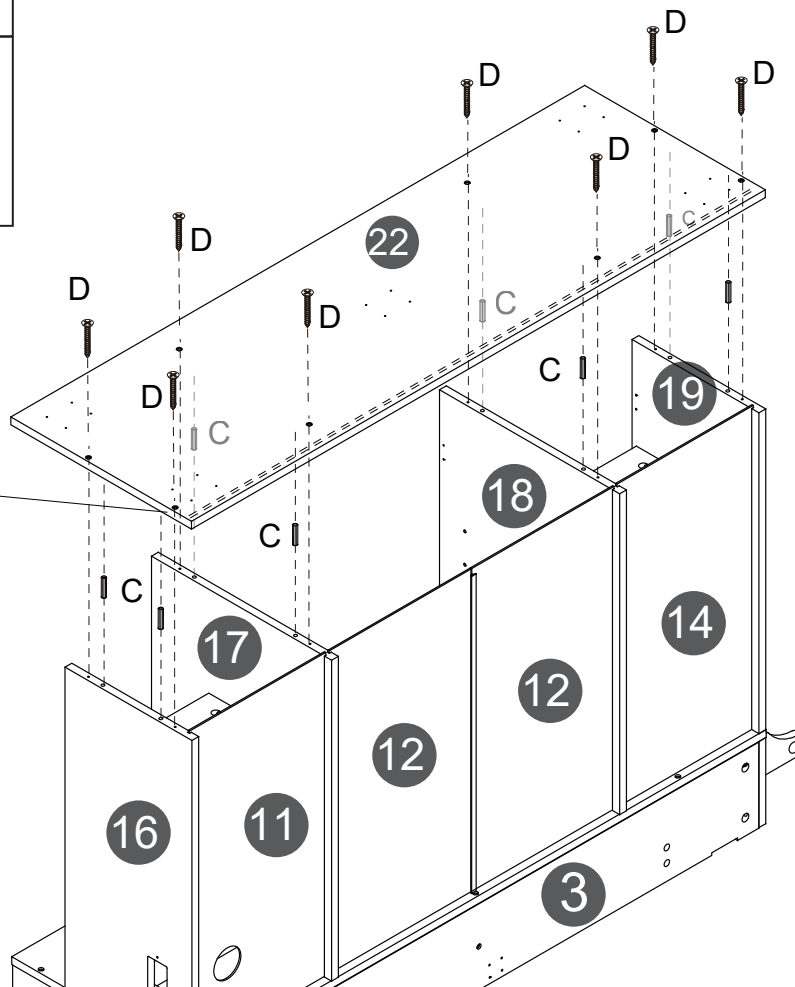
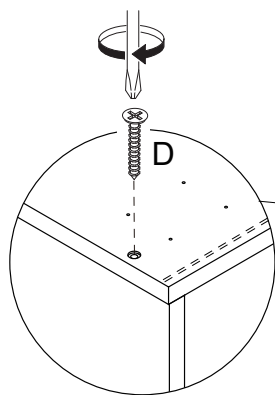


x8

D

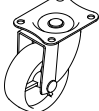


x8



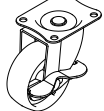
You will need

O



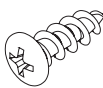
x3

P

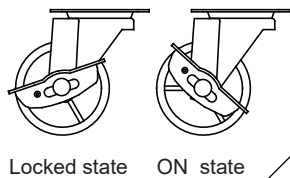


x2

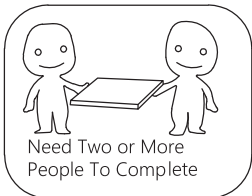
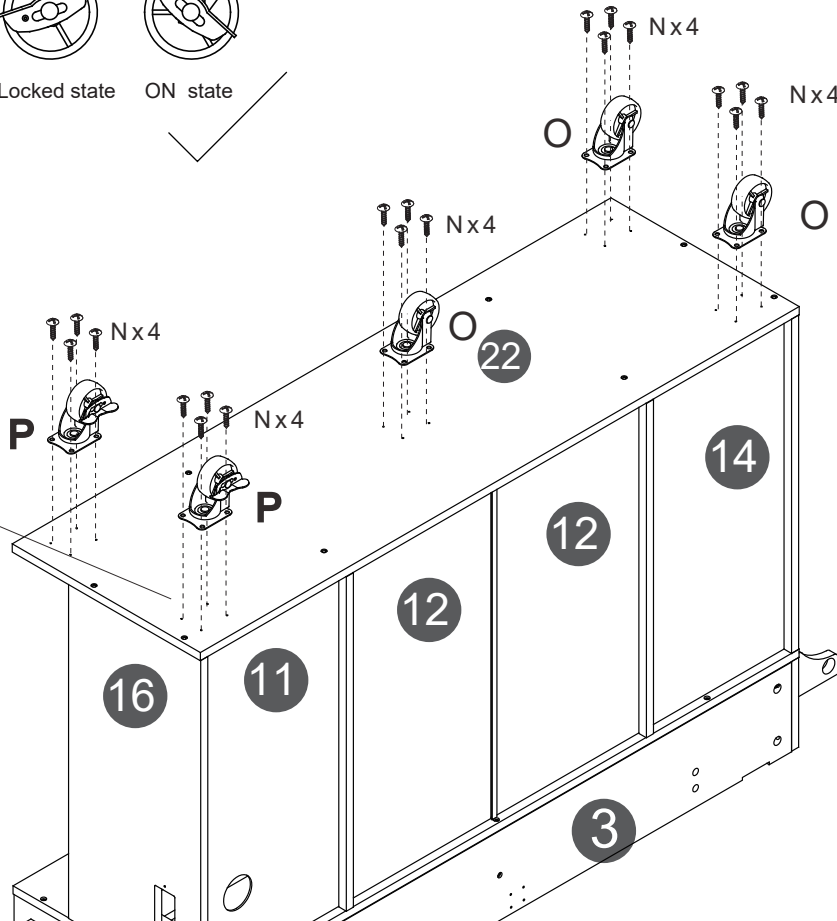
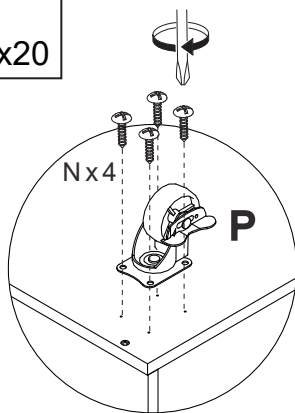
N

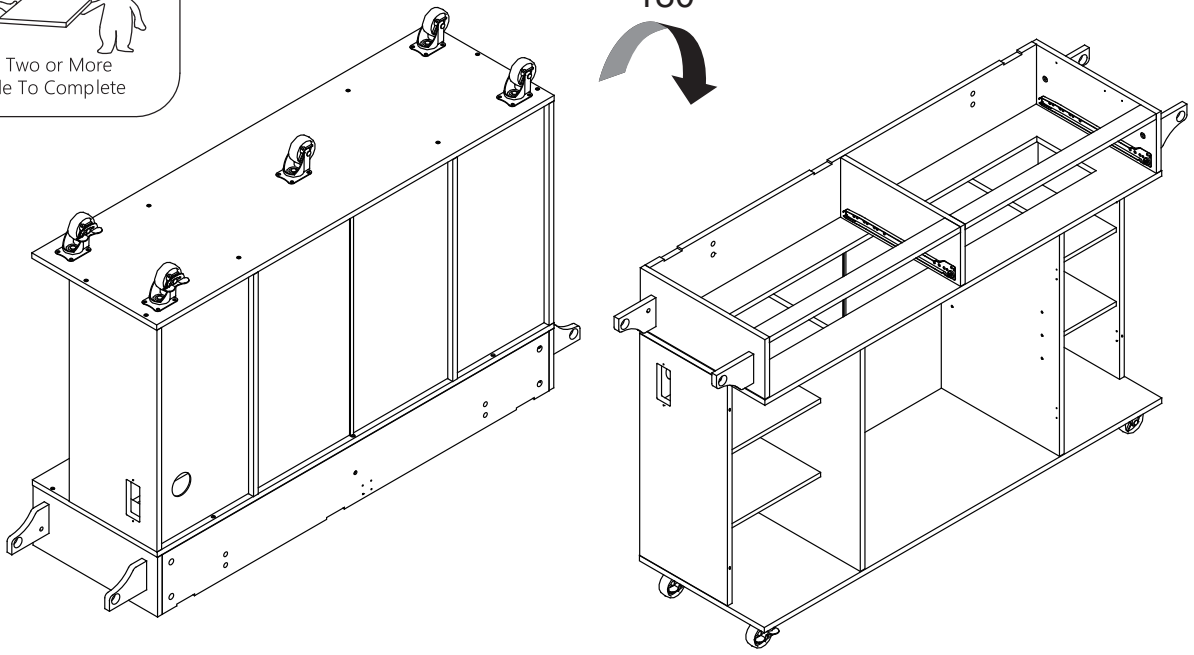
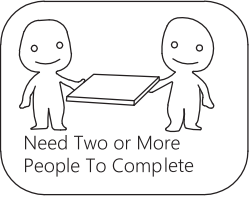


x20

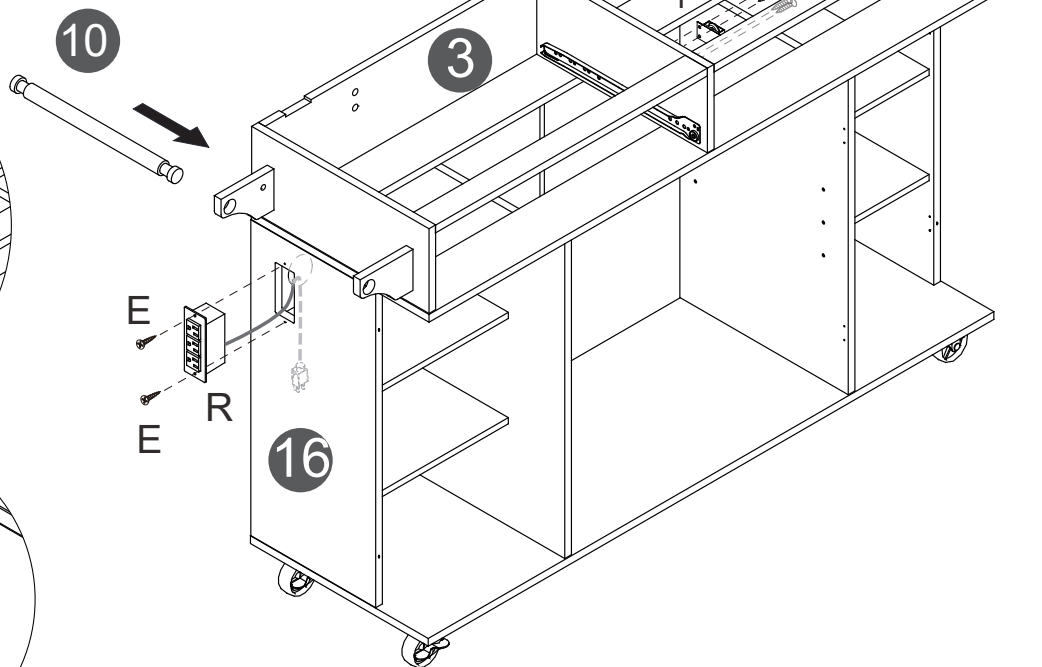
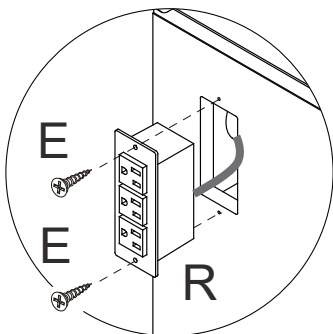
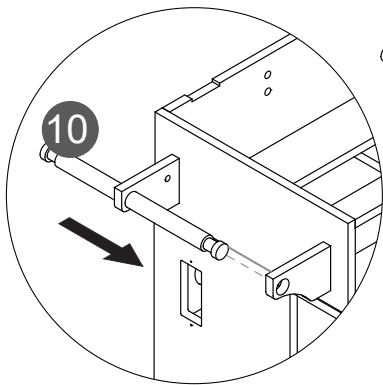
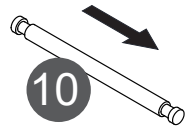
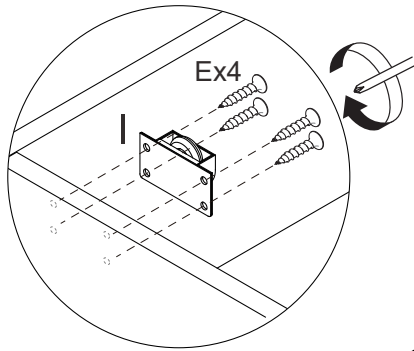
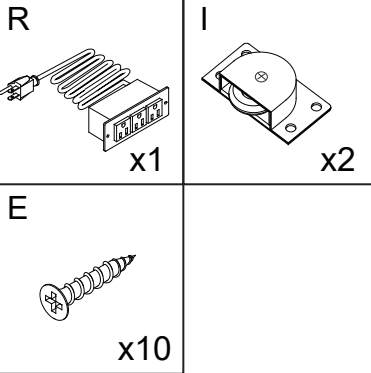


P wheels have brakes

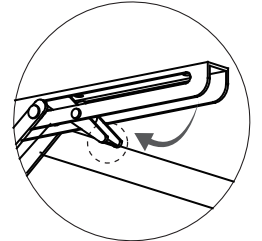
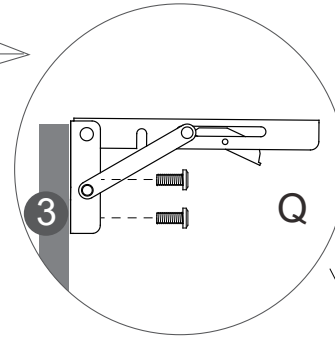
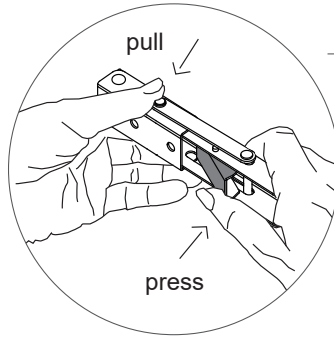
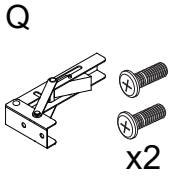




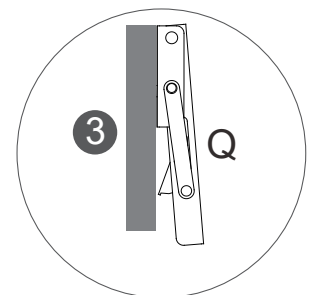
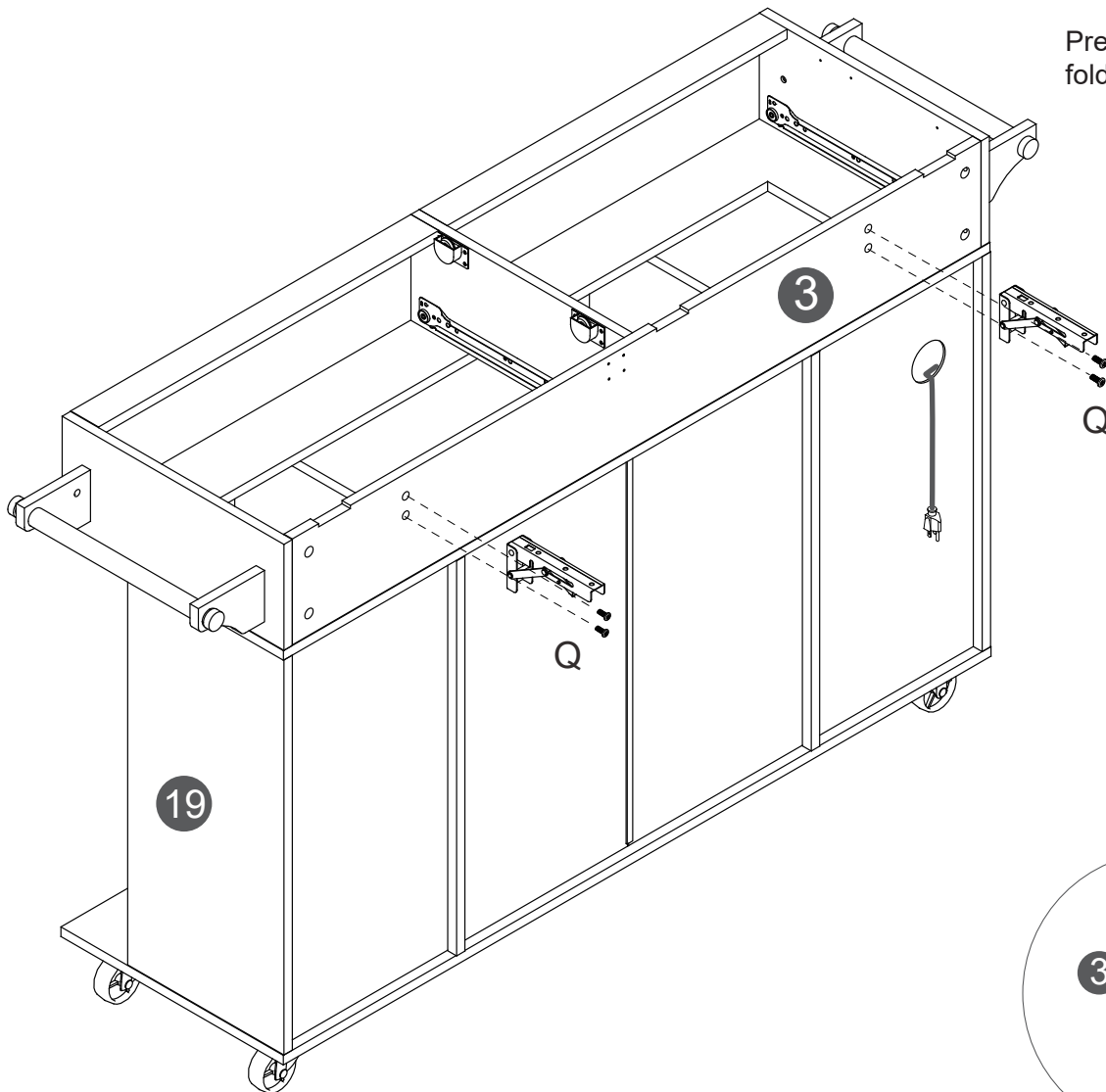
You will need



You will need

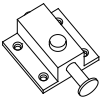


Press the handrail to fold the table down.



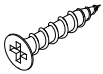
You will need

S



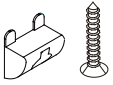
x1

E

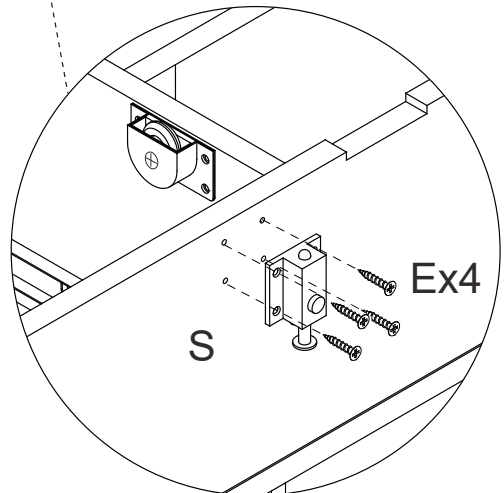
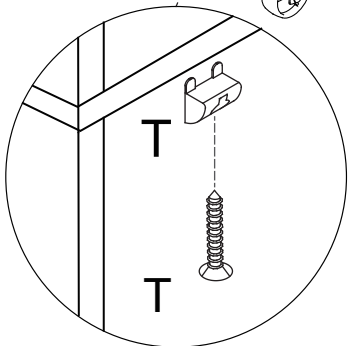
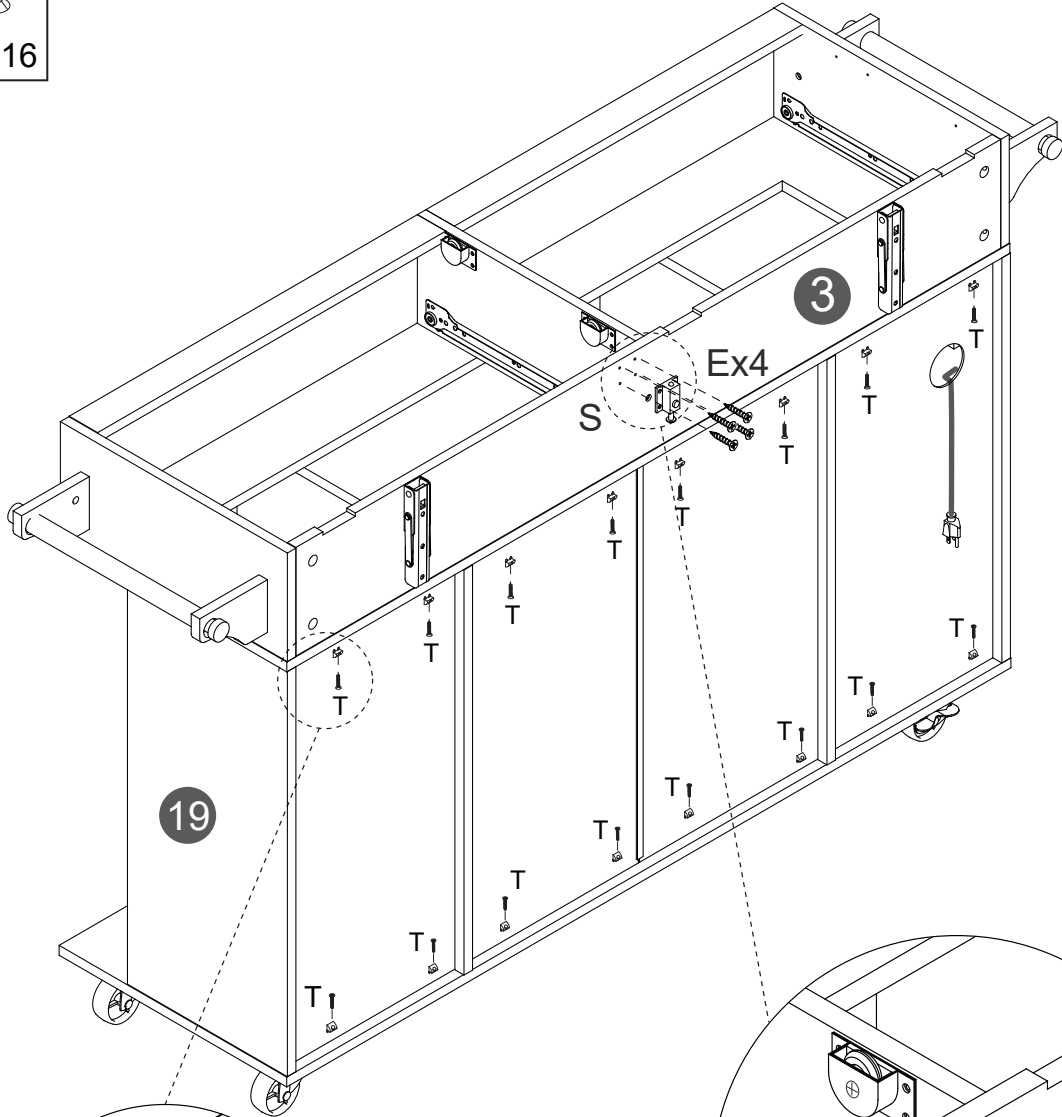


x4

T

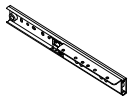


x16



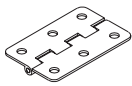
You will need

U



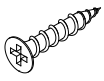
x2

K

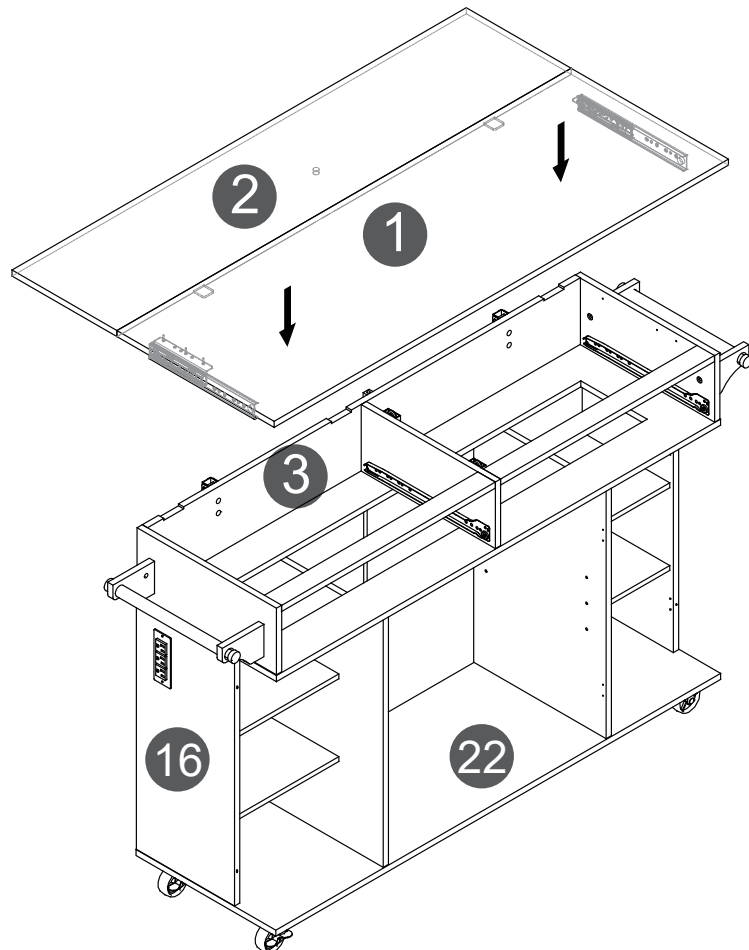
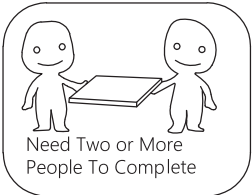
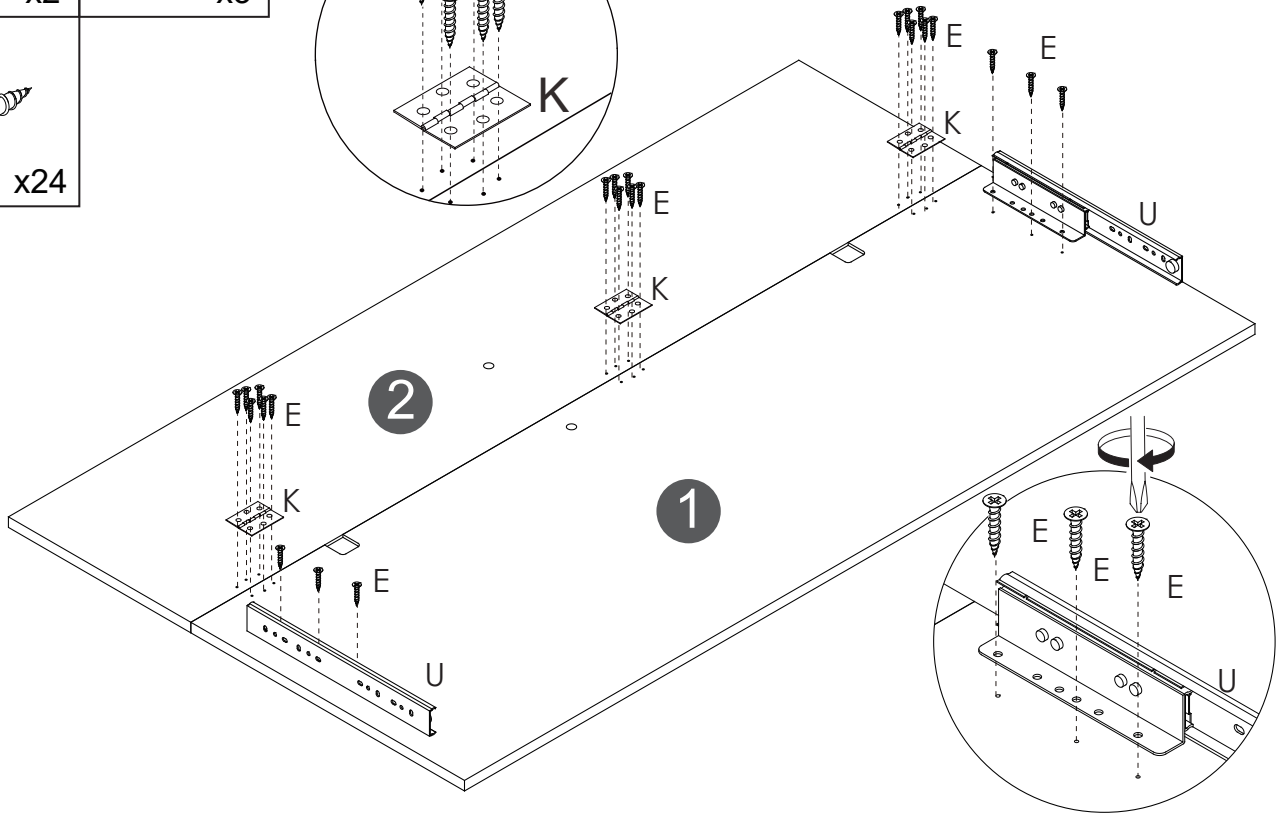
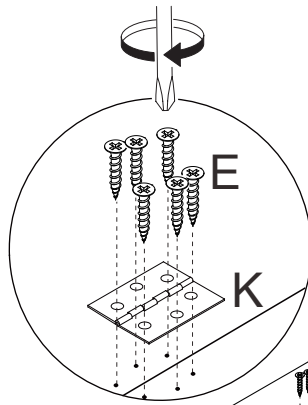


x3

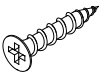
E



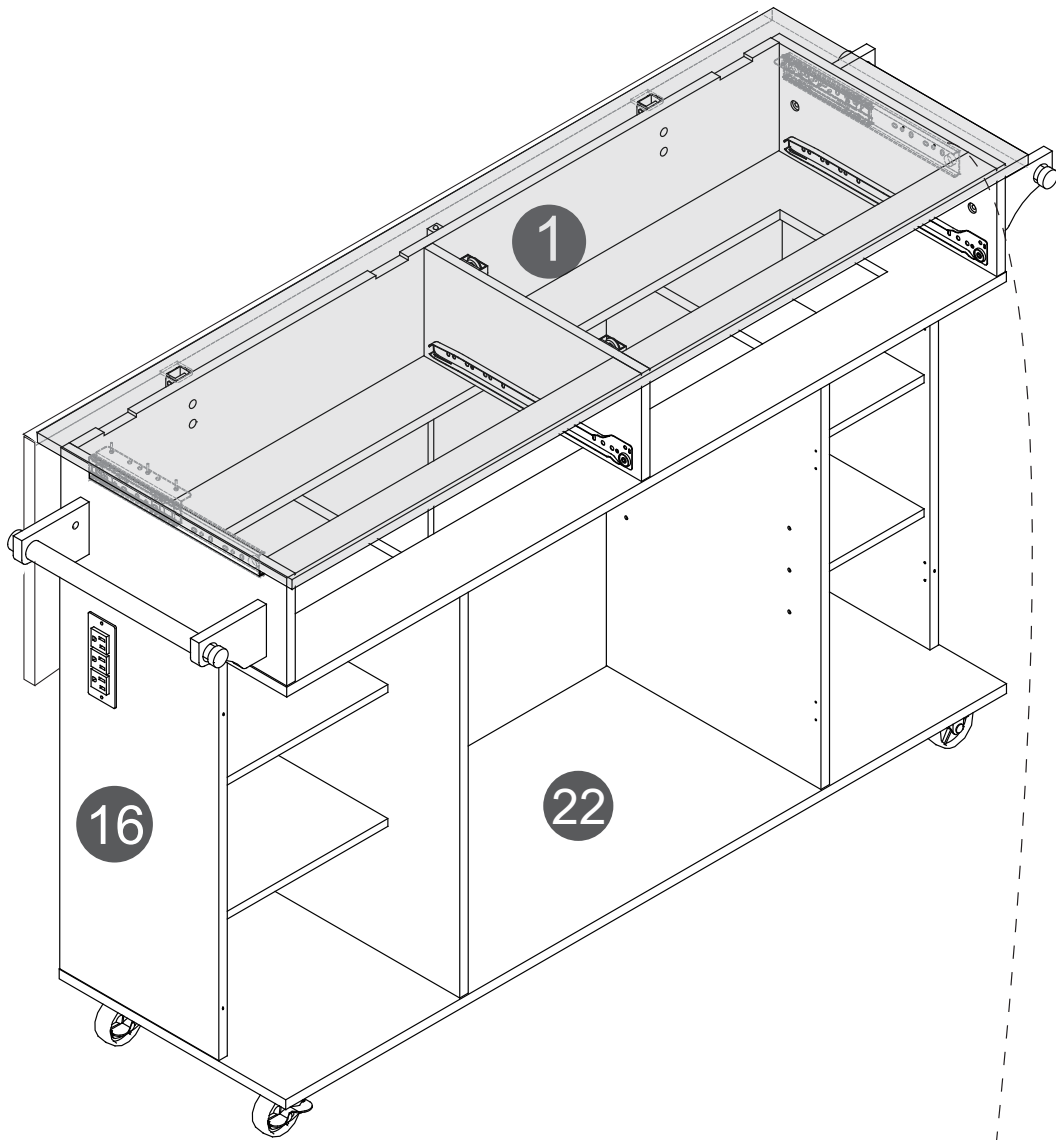
x24



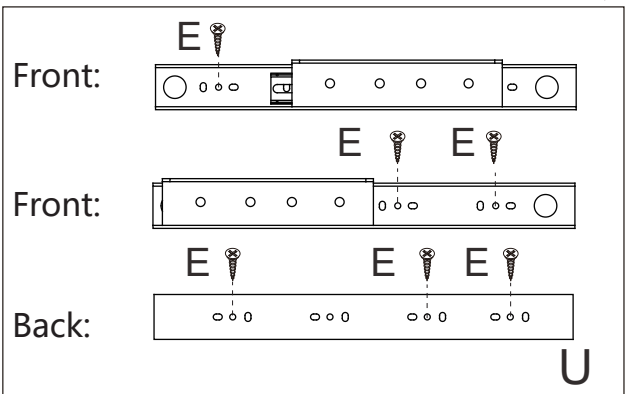
E



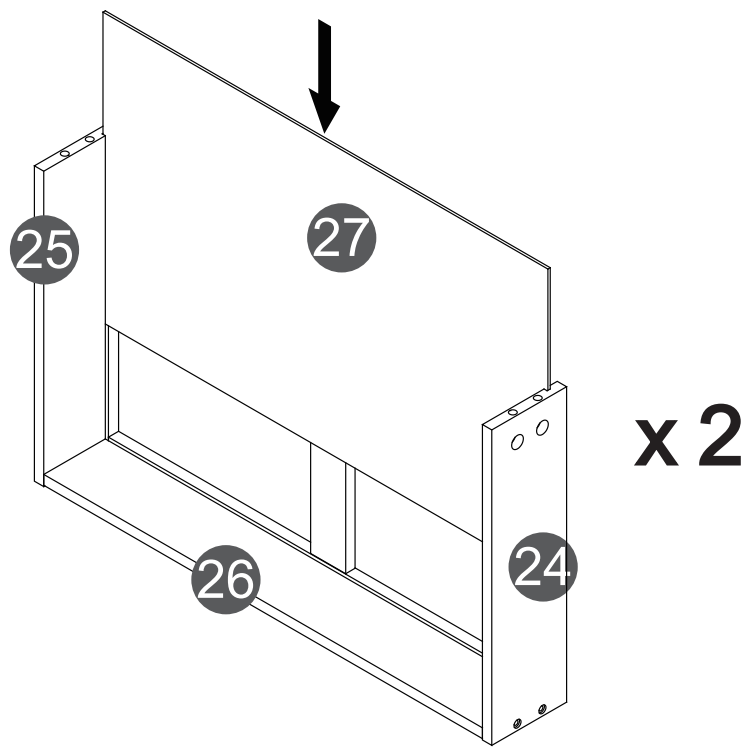
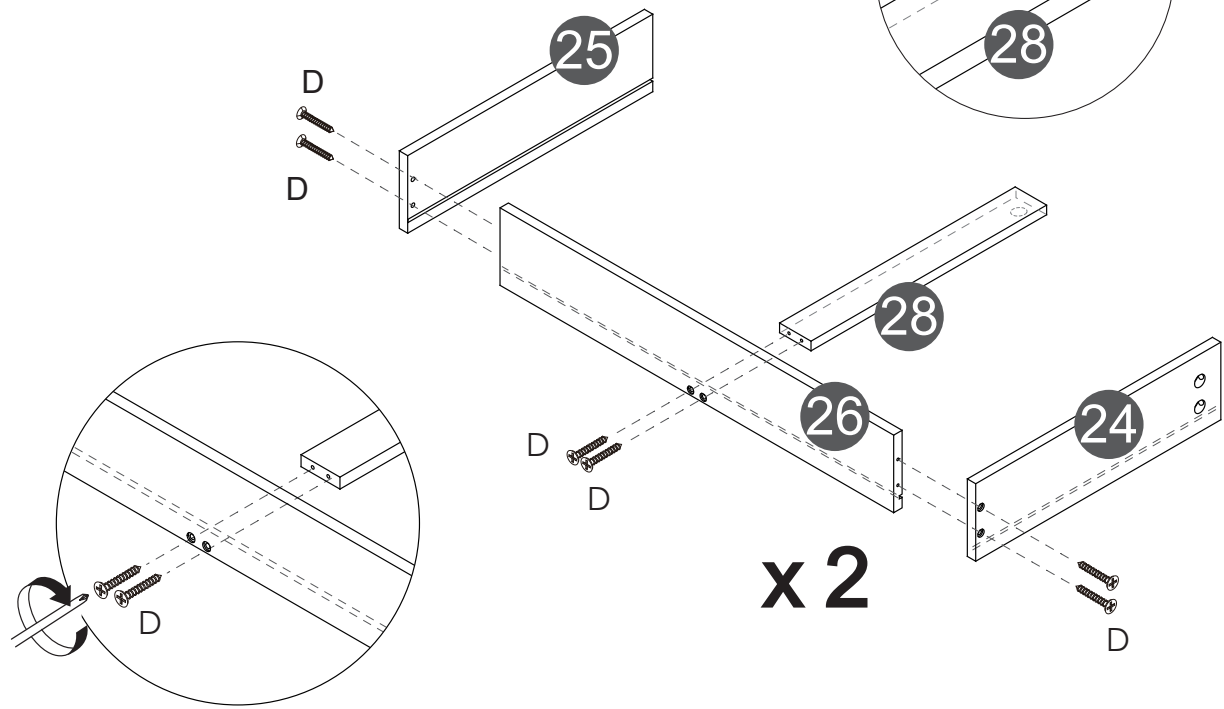
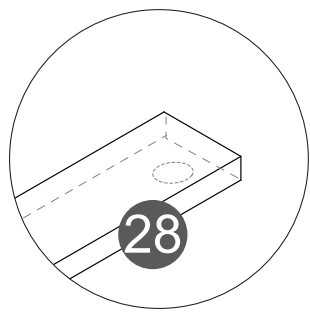
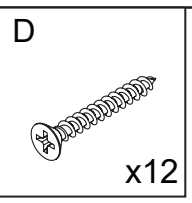
x 6



FRONT →

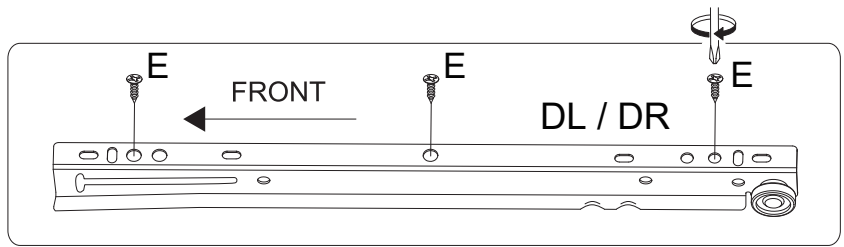
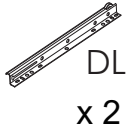
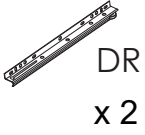


You will need

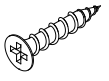


You will need

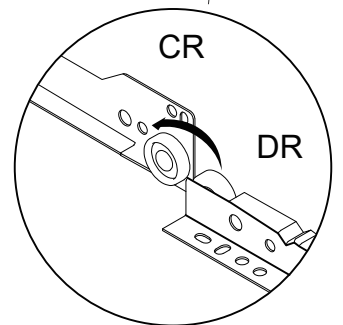
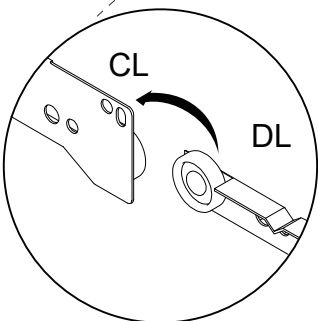
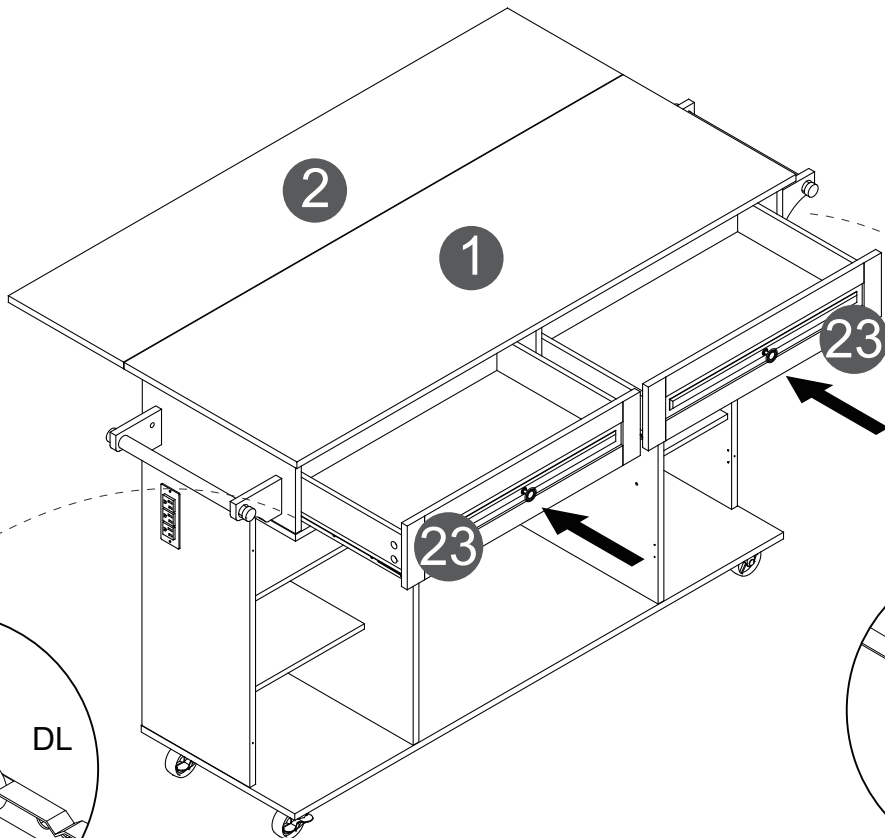
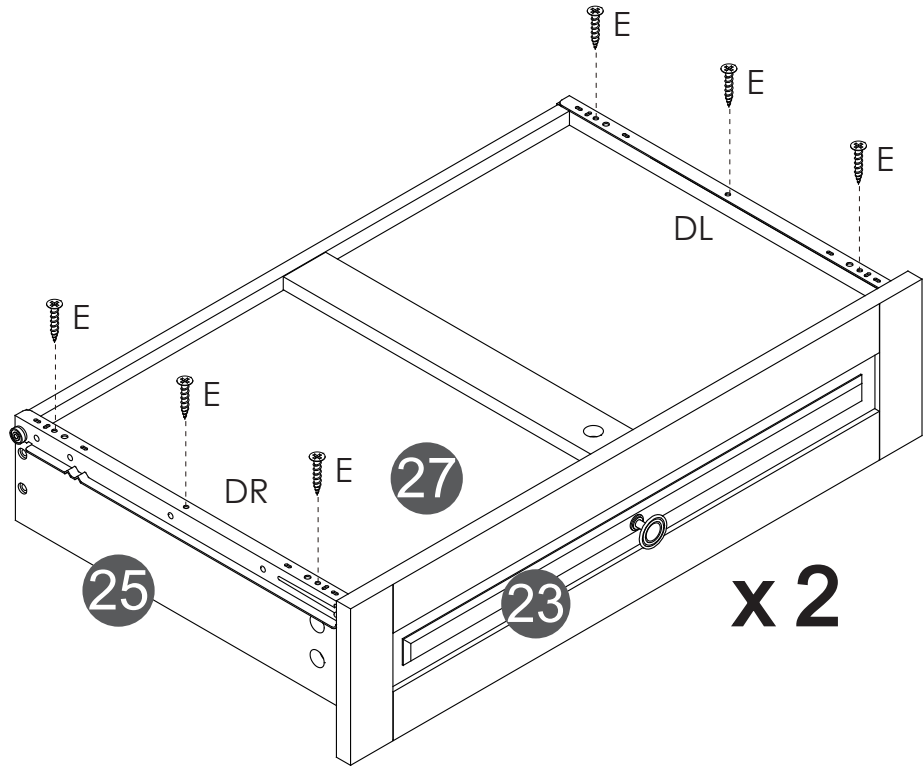
M



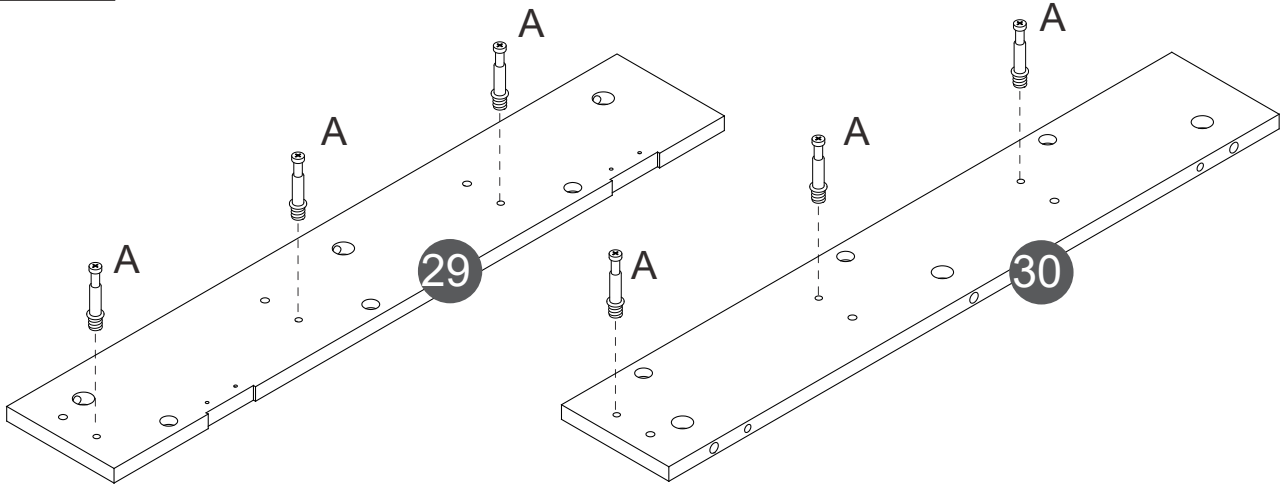
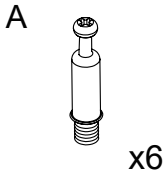
E



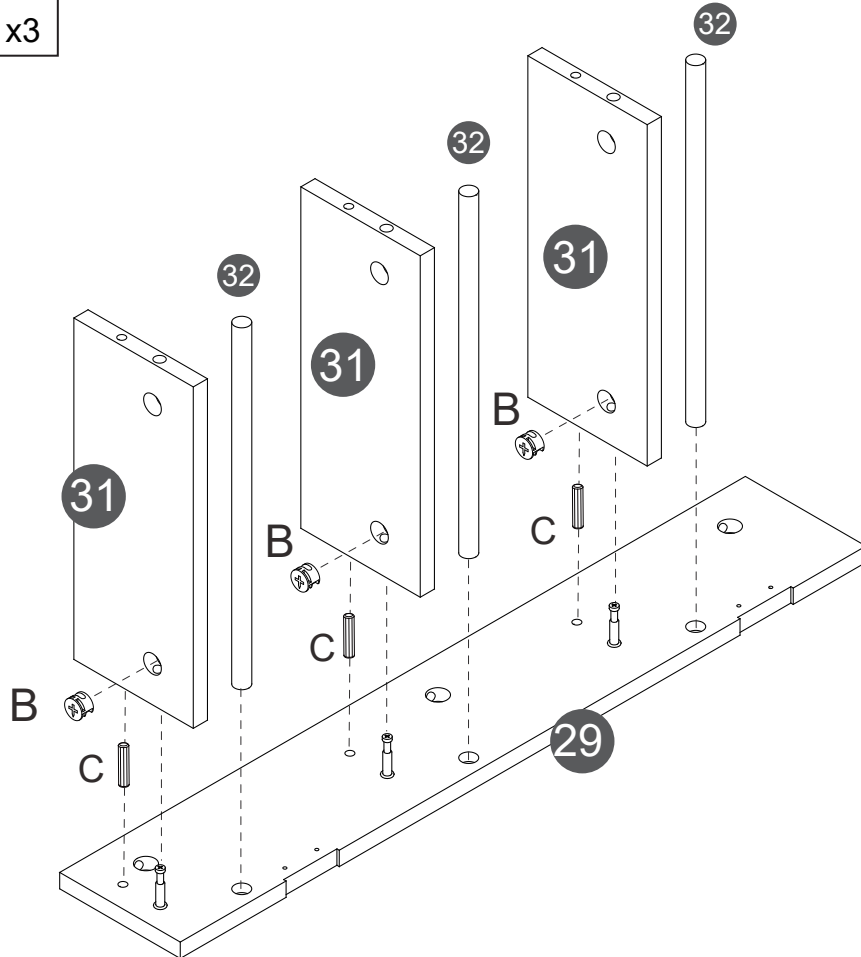
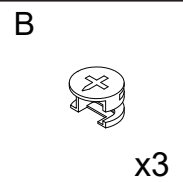
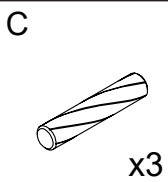
x12



You will need



You will need



You will need

C

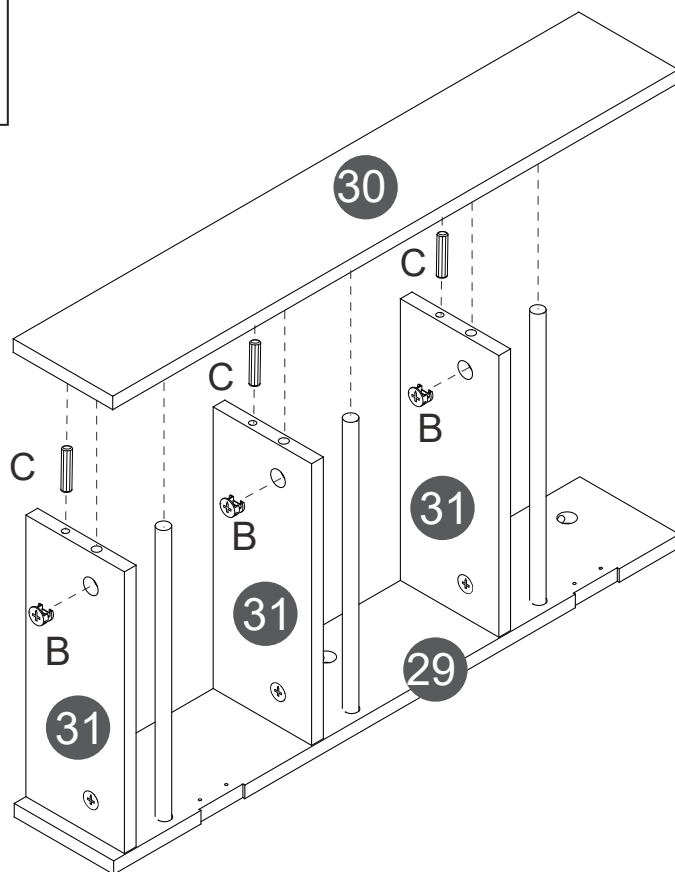


x3

B

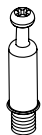


x3

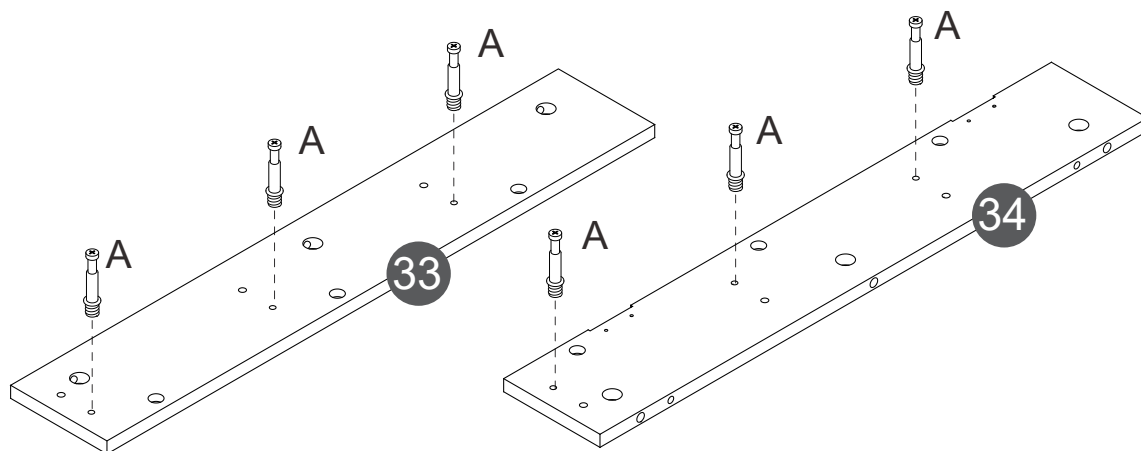


You will need

A

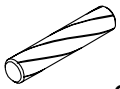


x6



You will need

C

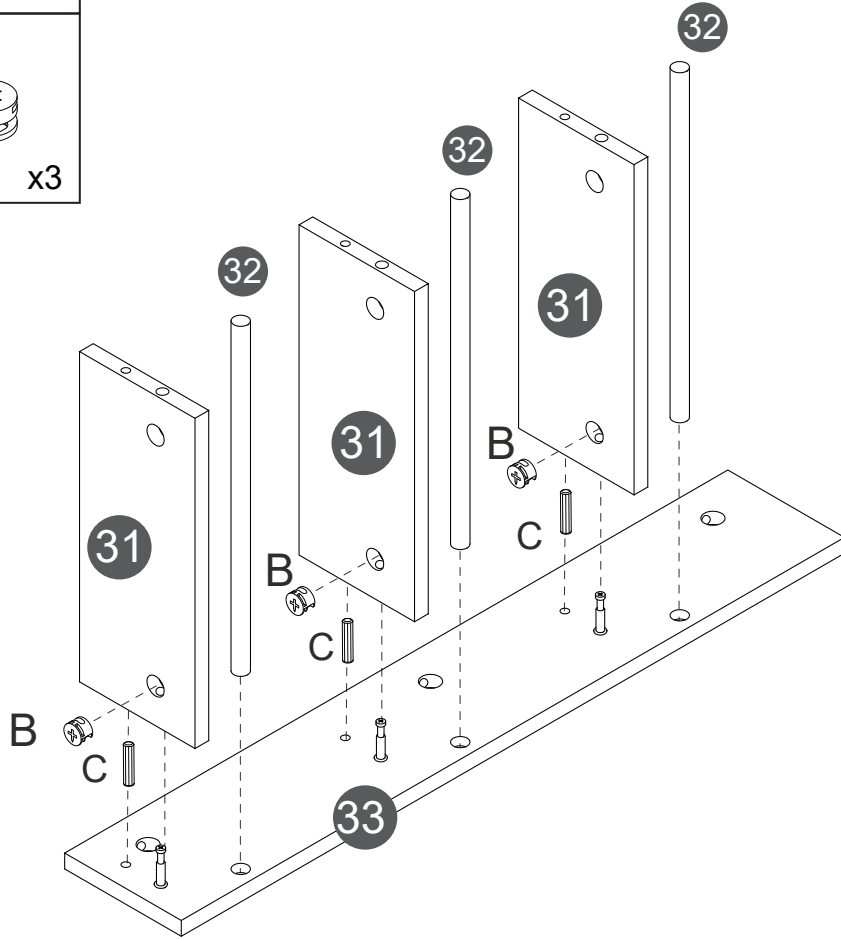


x3

B

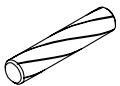


x3



You will need

C

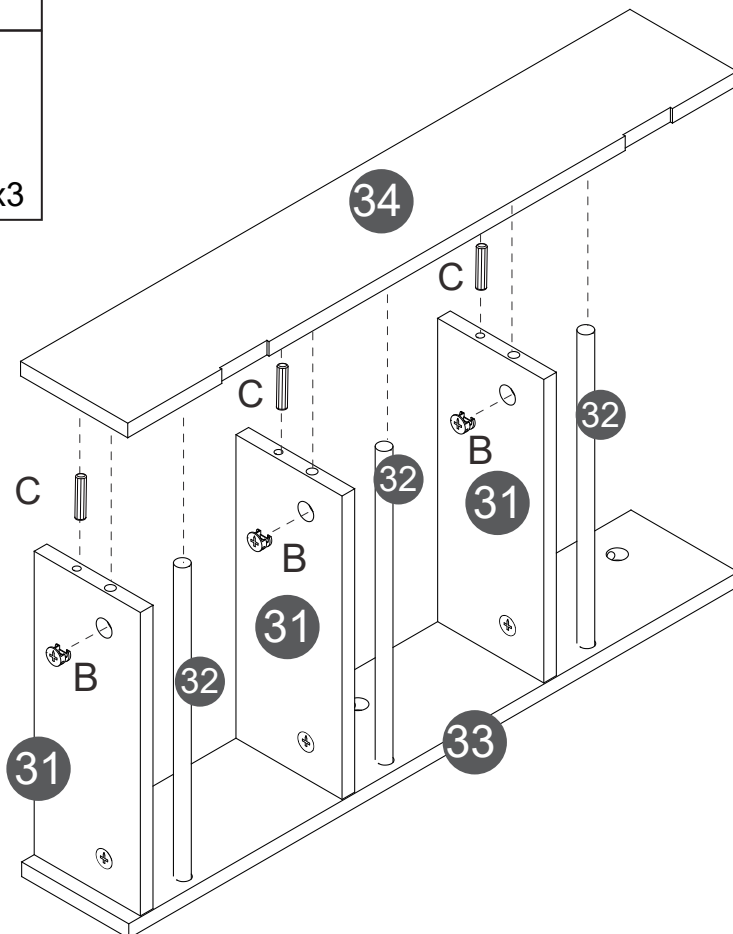


x3

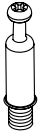
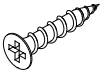
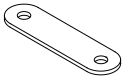
B

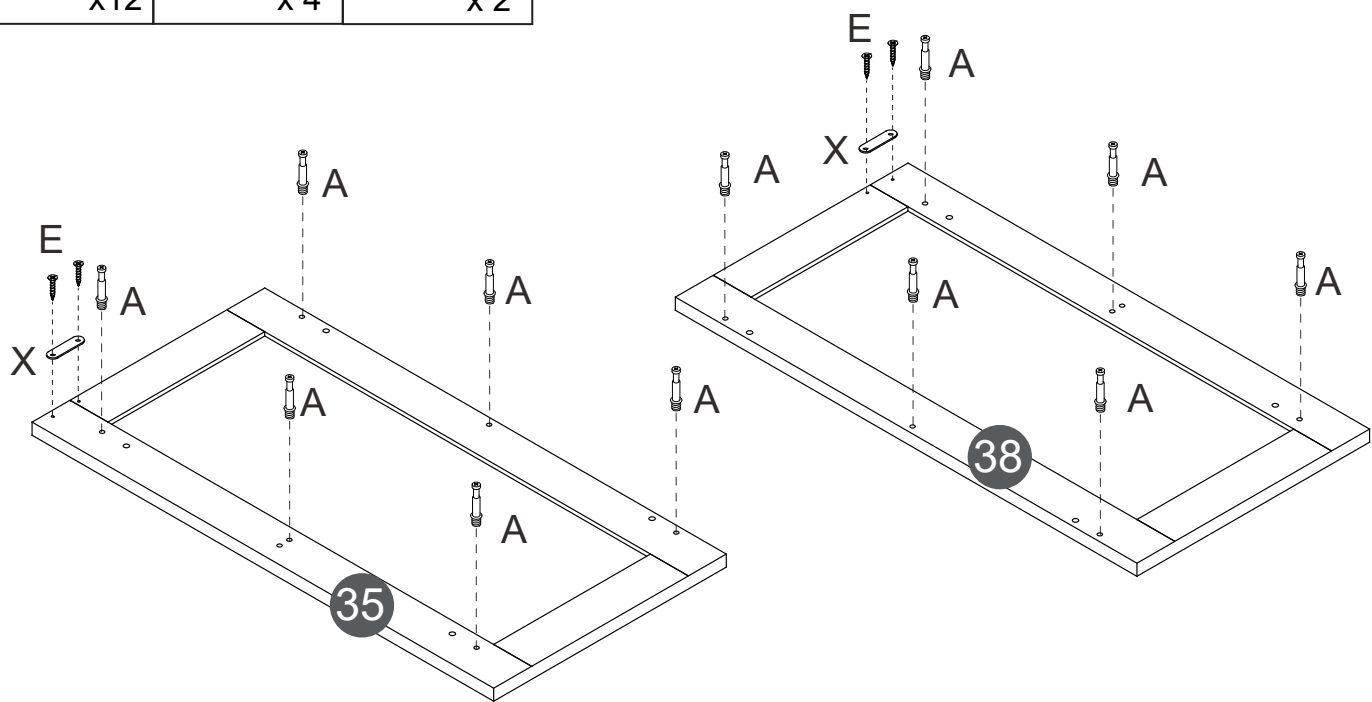


x3

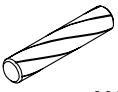



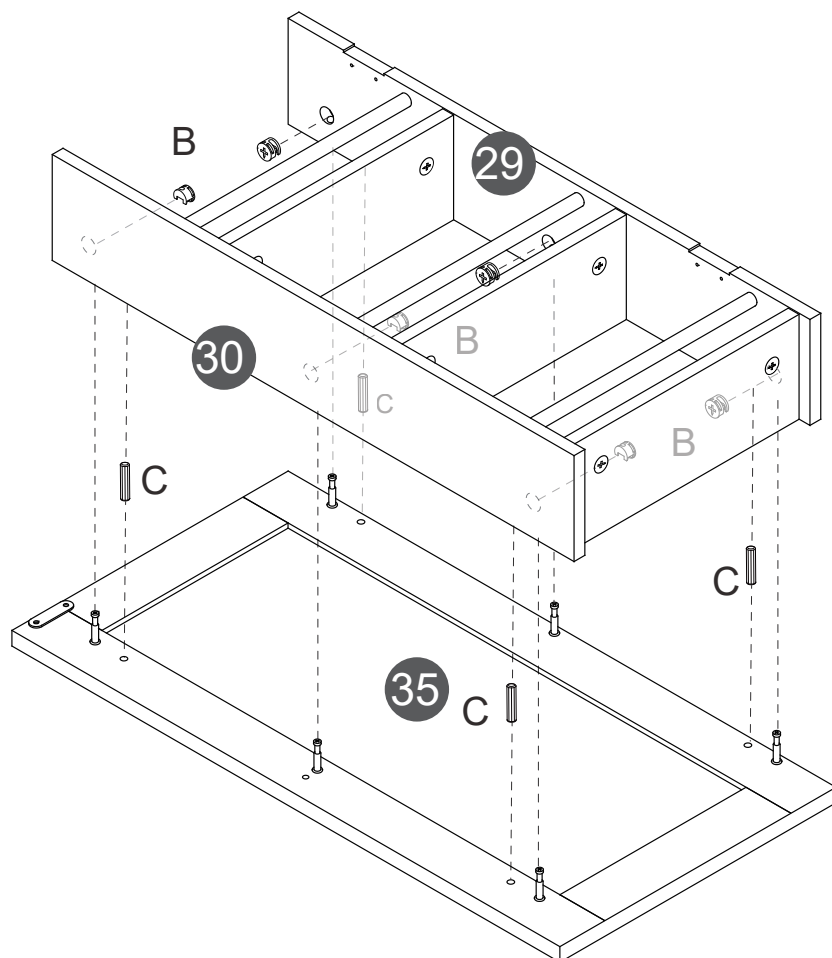
You will need

<p>A</p>  <p>x12</p>	<p>E</p>  <p>x 4</p>	<p>X</p>  <p>x 2</p>
---	---	---



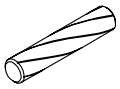
You will need

<p>C</p>  <p>x4</p>	<p>B</p>  <p>x6</p>
--	--



You will need

C

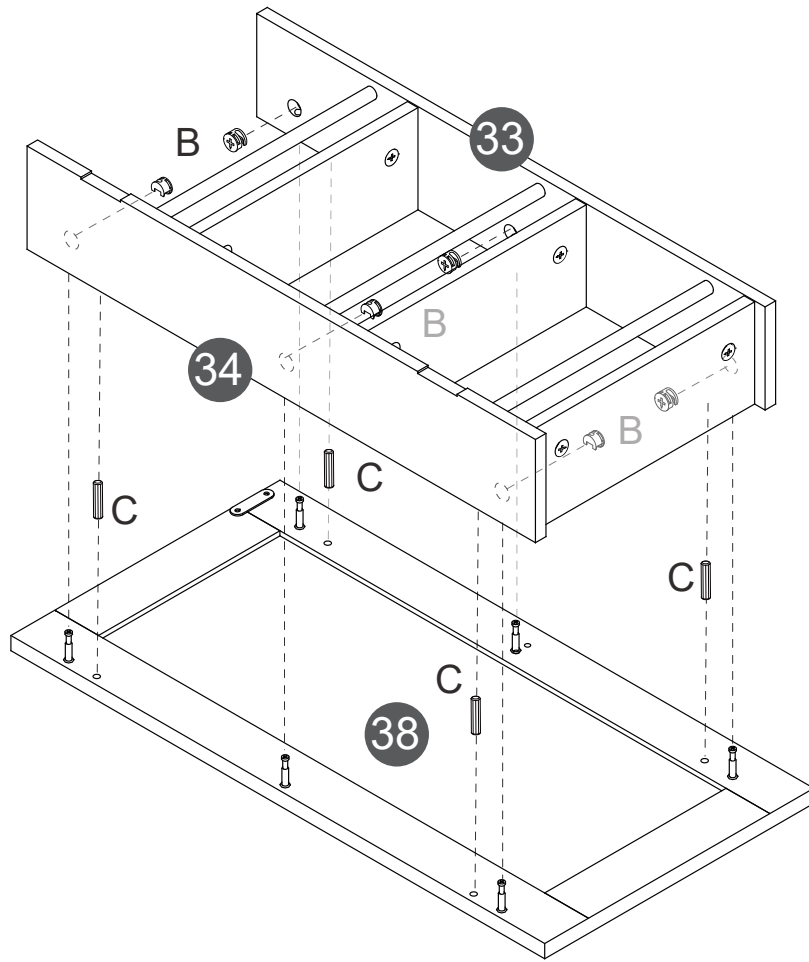


x4

B

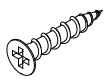


x6



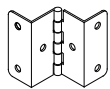
You will need

E

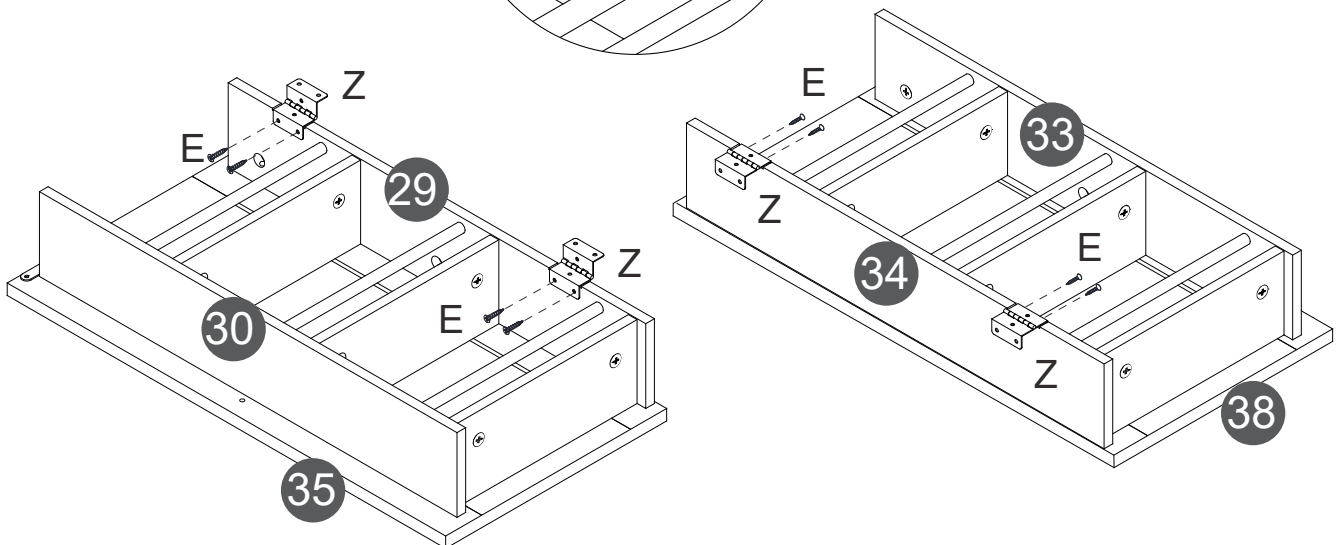
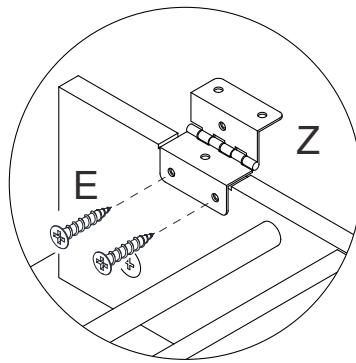


x 8

Z

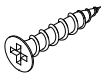


x 4

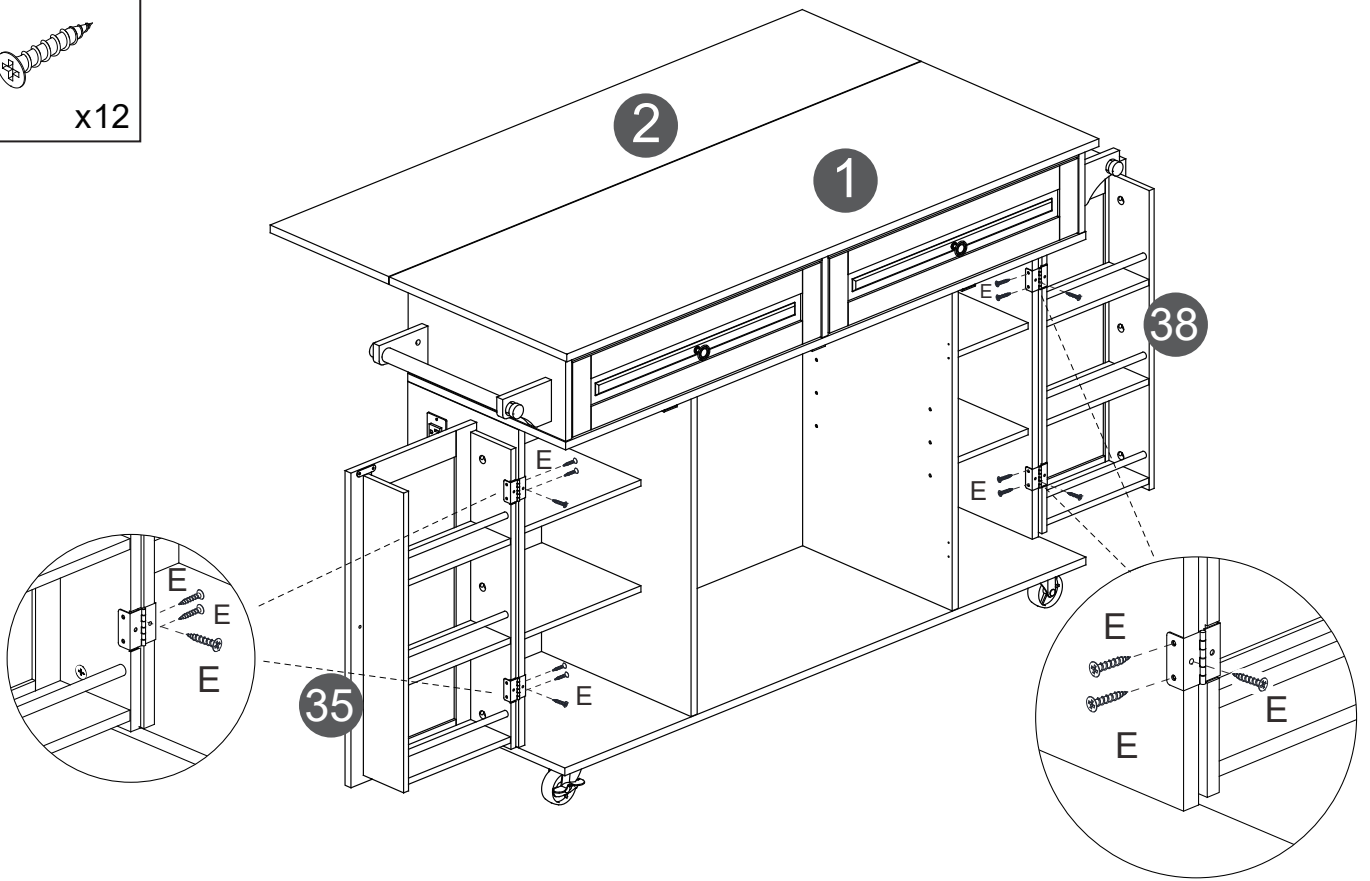


You will need

E



x12



You will need

V



x2

F

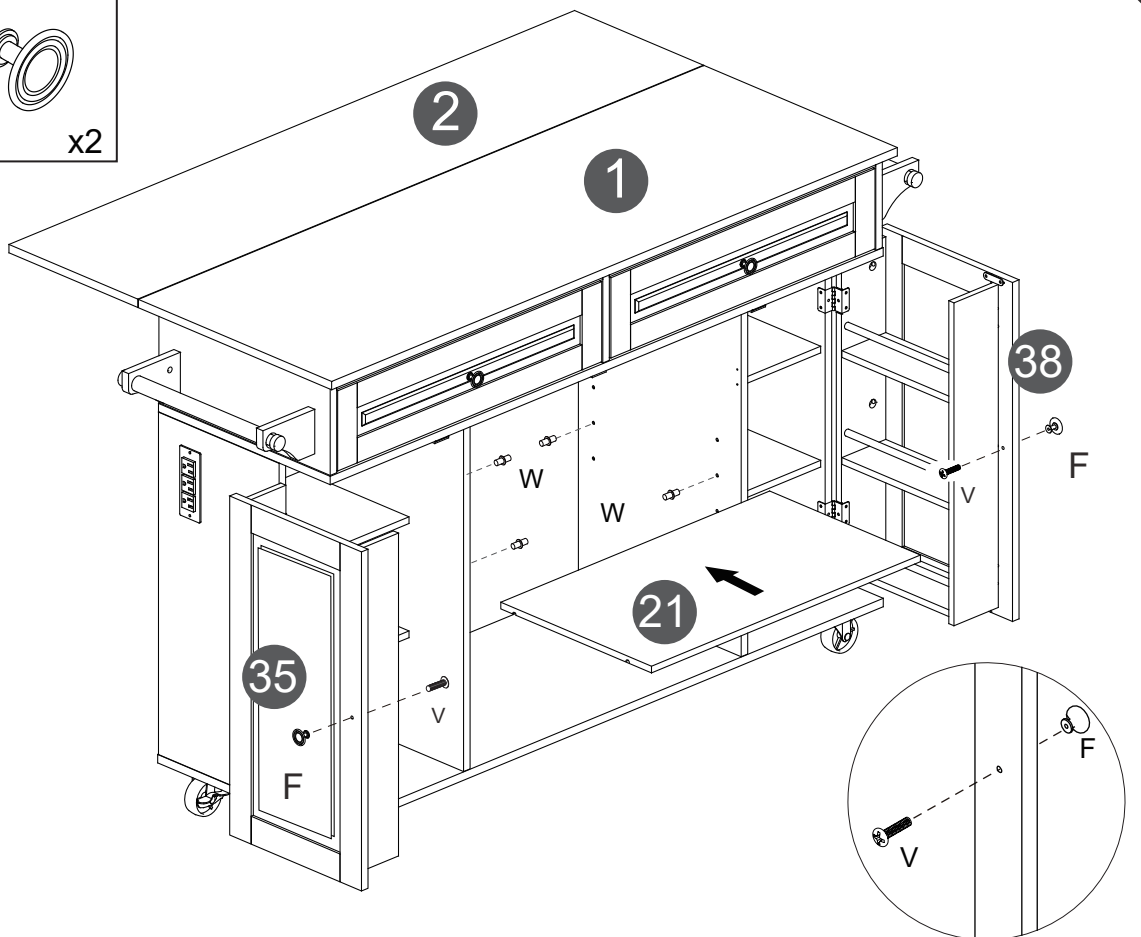


x2

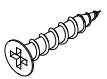
W

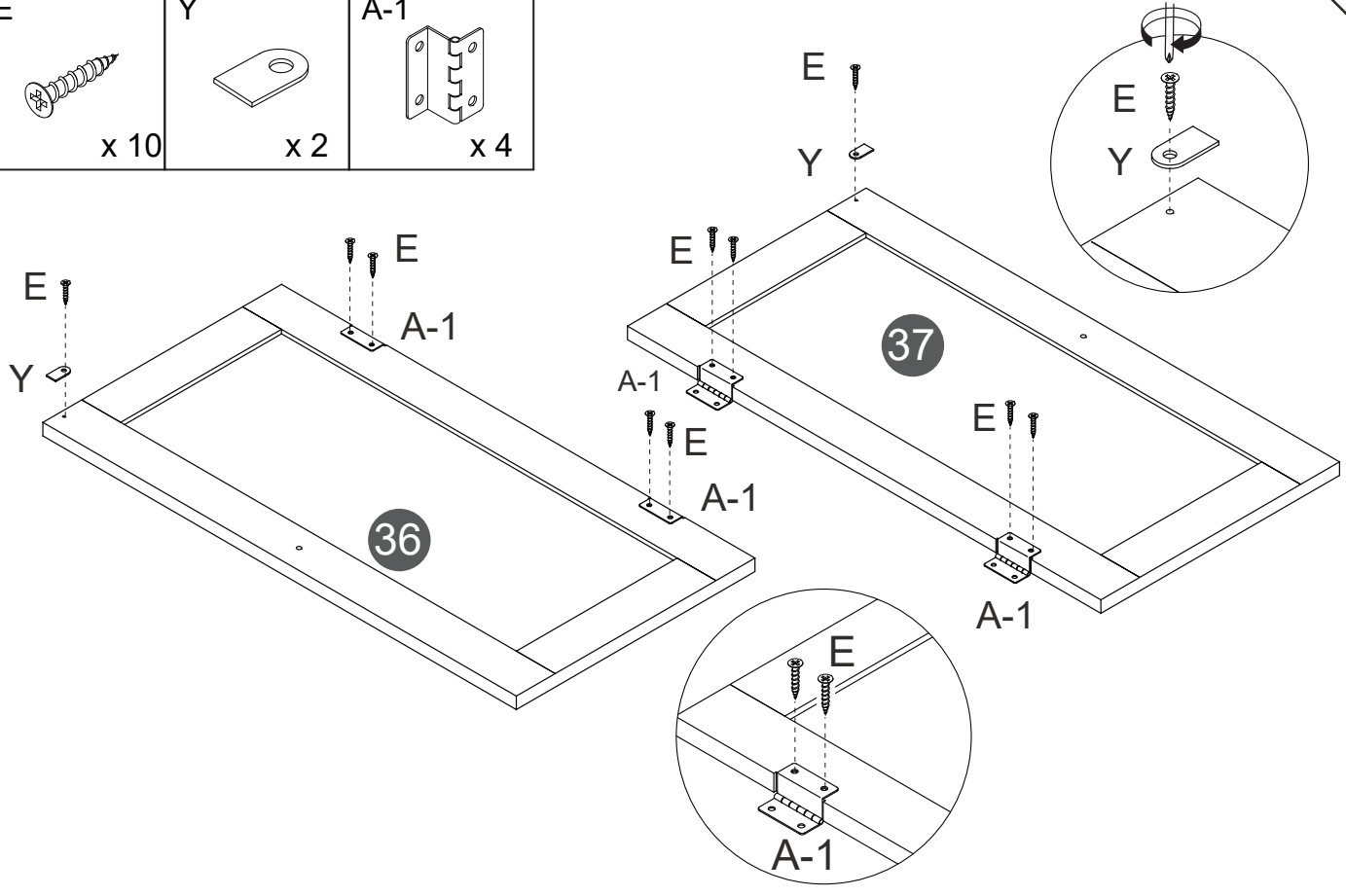


x4



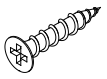


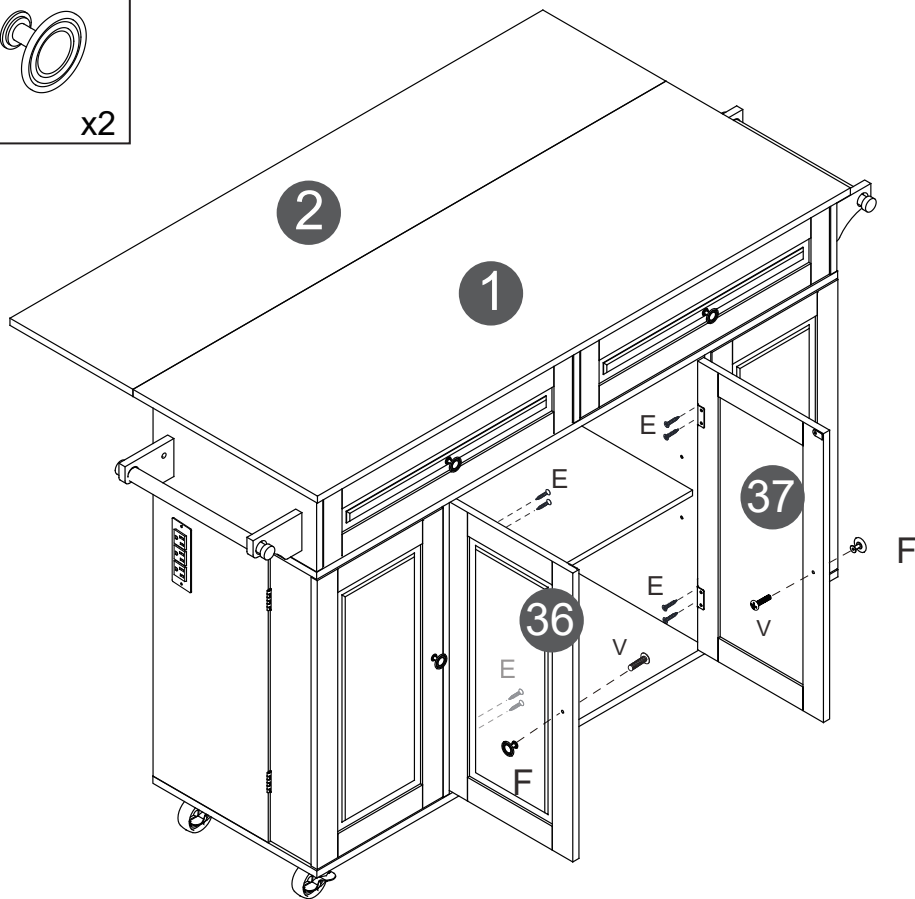
You will need

<p>E</p>  <p>x 10</p>	<p>Y</p>  <p>x 2</p>	<p>A-1</p>  <p>x 4</p>
--	---	---

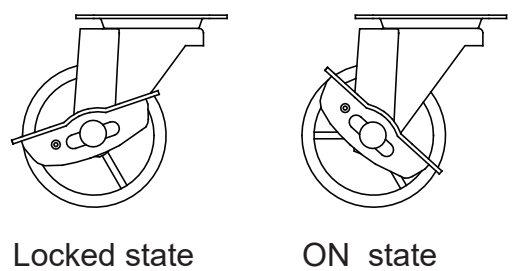
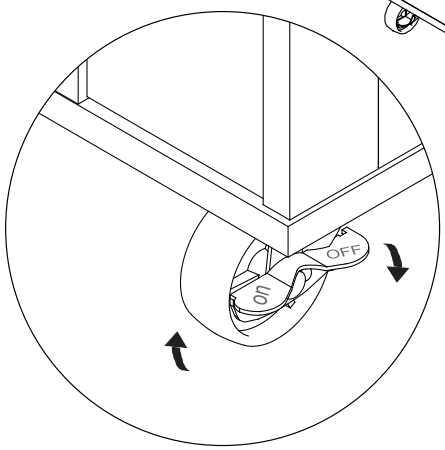
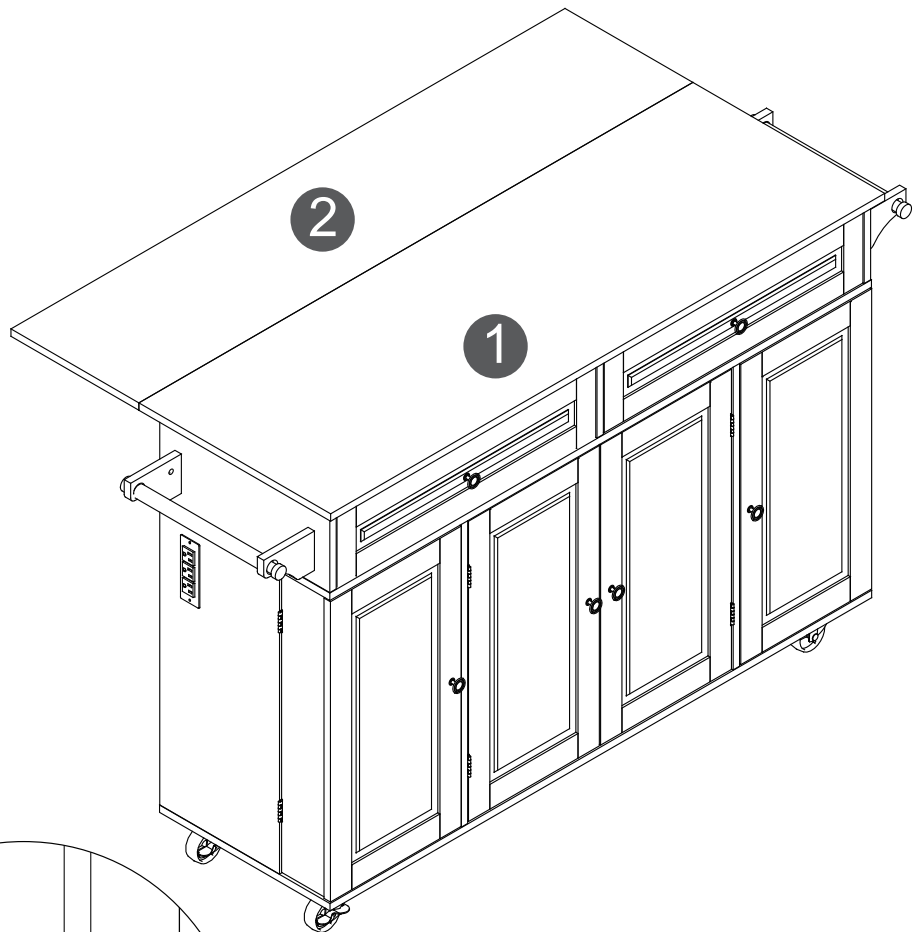
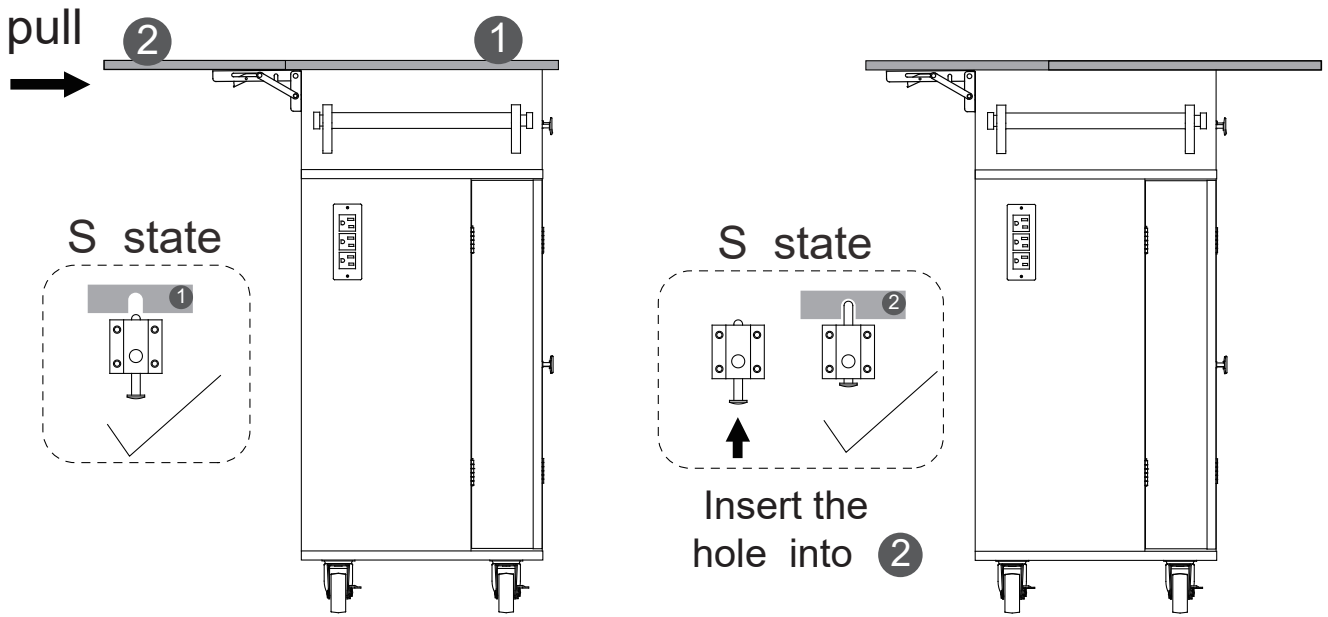


You will need

<p>V</p>  <p>x2</p>	<p>F</p>  <p>x2</p>
<p>E</p>  <p>x 8</p>	



If you need a larger desktop.

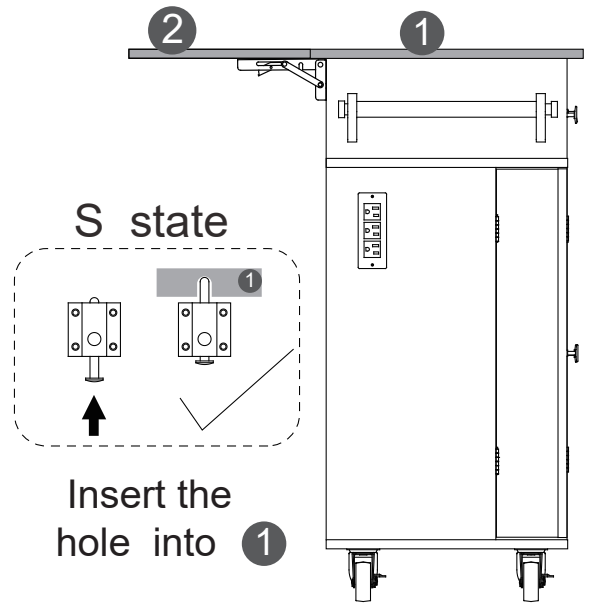
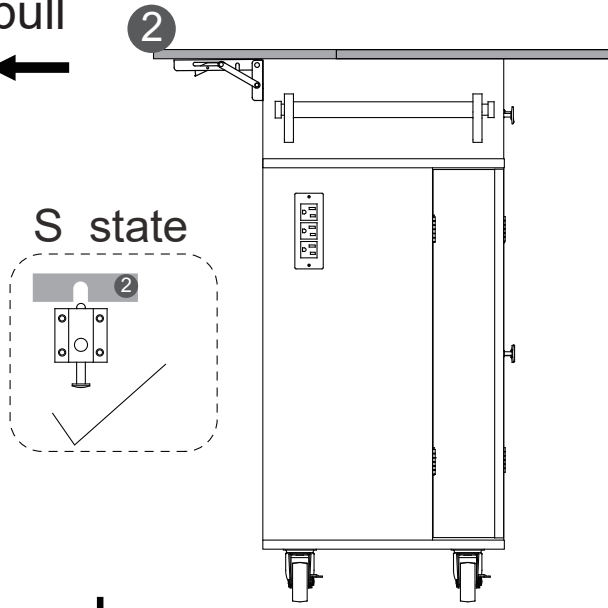


Locked state

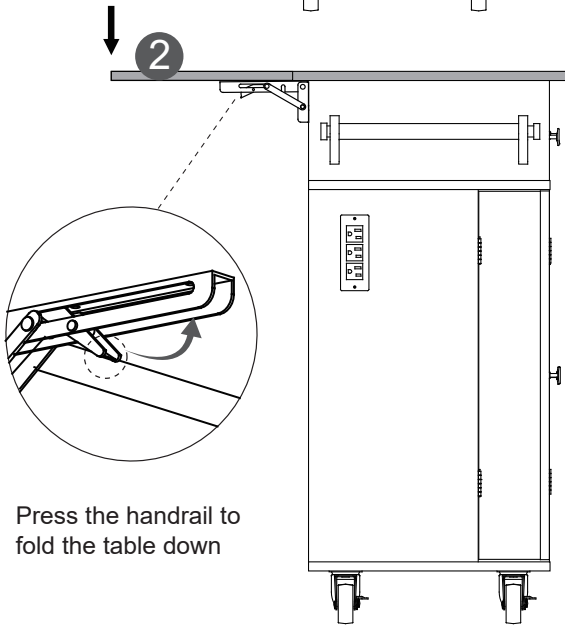
ON state

If you don't need a large desktop

pull
←



Insert the hole into 1



Press the handrail to fold the table down

