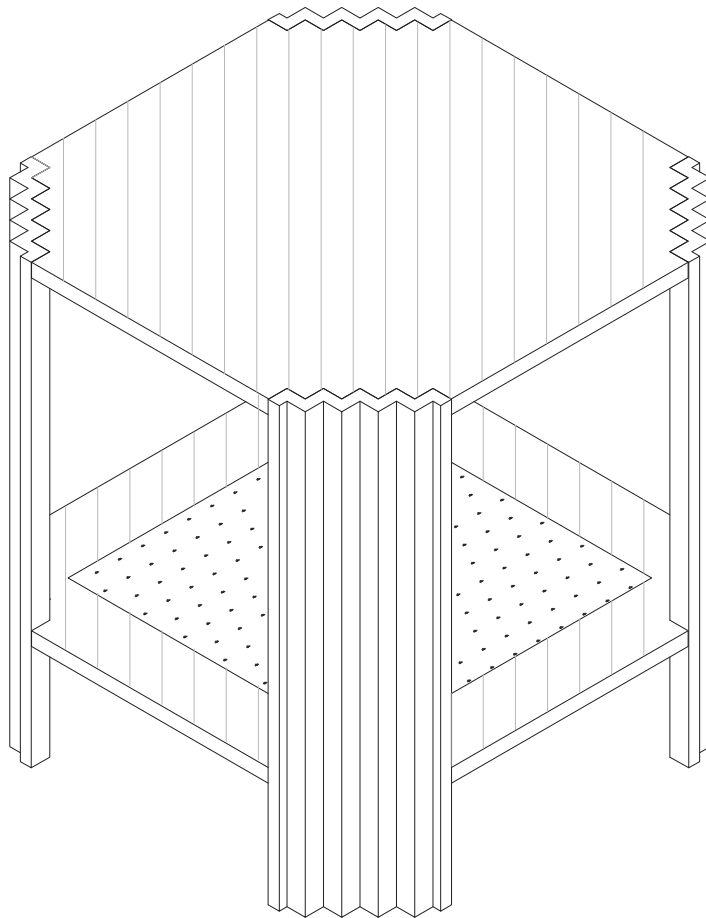


Instruction Manual

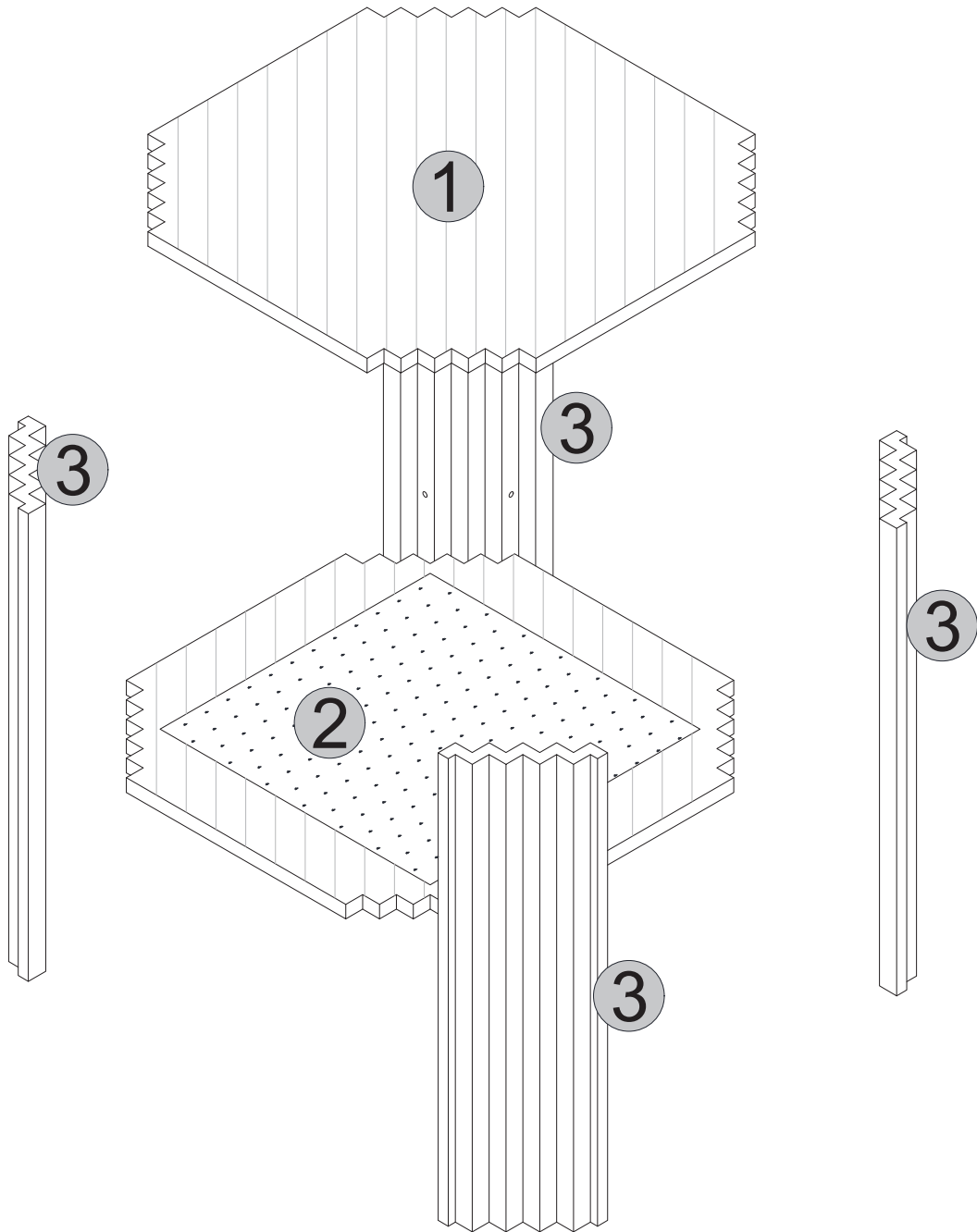
Note: There is also a more detailed video on the product detail page on website.



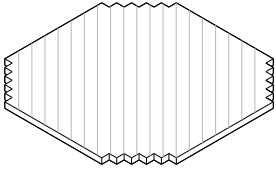
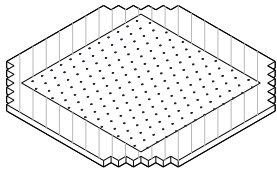
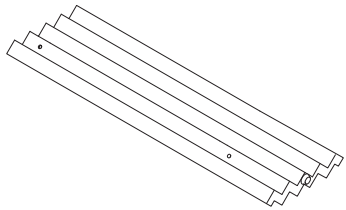
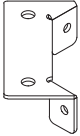
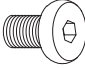
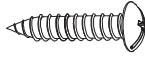


E-mail: support@allstand.net

QR code for video

Parts List(EN)



Parts List(EN)

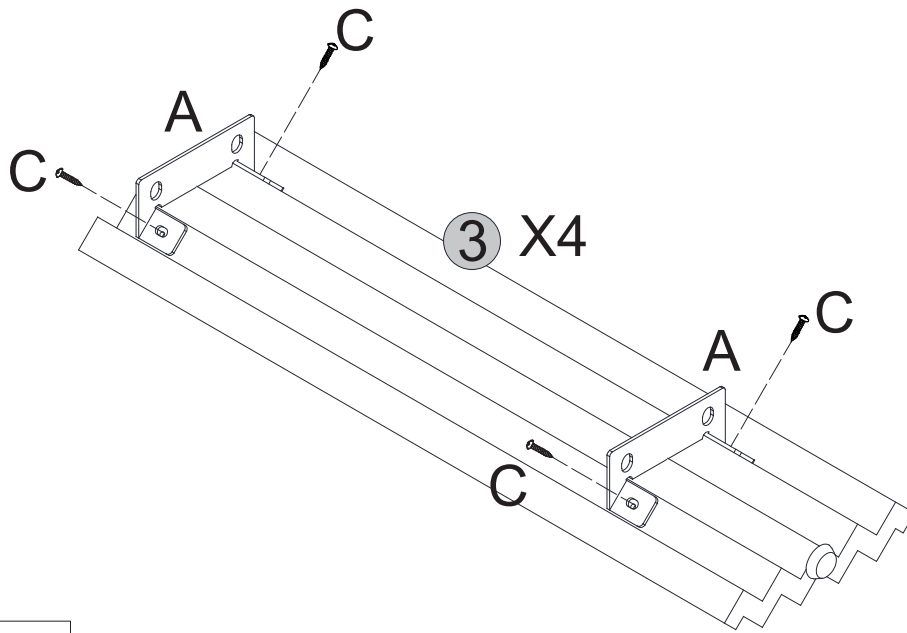
1  1 PC	2  1 PC	3  4 PCS
A  8 PCS	B  M6*12mm 16+2 PCS	C  M3.5*14mm 16+2 PCS
D  M4 1 PC	E  1 PC	



MATTERS NEEDING ATTENTION

1. Before all parts are in place, do not over-tighten the screw.
2. In order to avoid giving you a bad installation experience, please follow the following steps in the installation instructions, and carefully distinguish between screws and boards.
3. To avoid choking hazards, please keep small parts and packaging materials away from children.
4. Adult assembly is required. Keep away from children during installation.
5. After the installation is completed, you can use cotton cloth to clean the board.
6. If you have any questions, please contact us, our email address is on the cover.

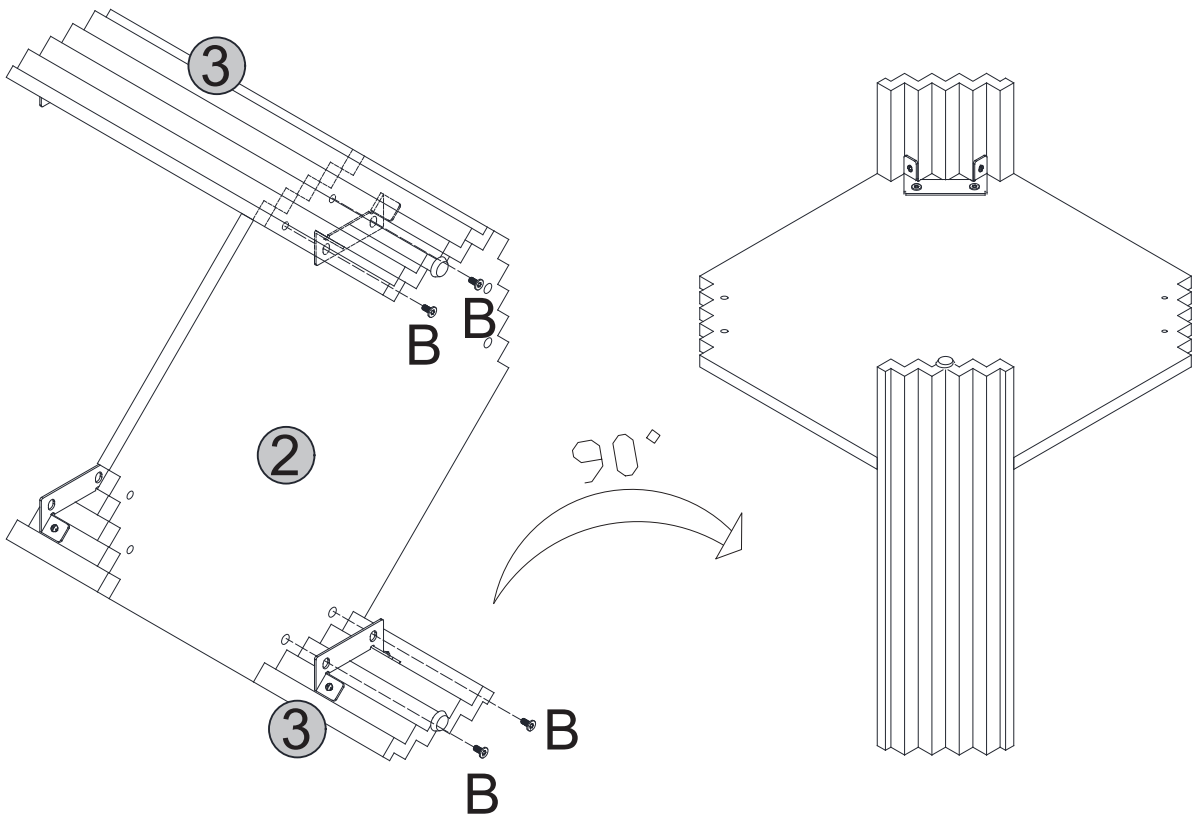
Assembly Steps(EN)

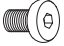

STEP 1



	A x 8PCS
	C x 16PCS

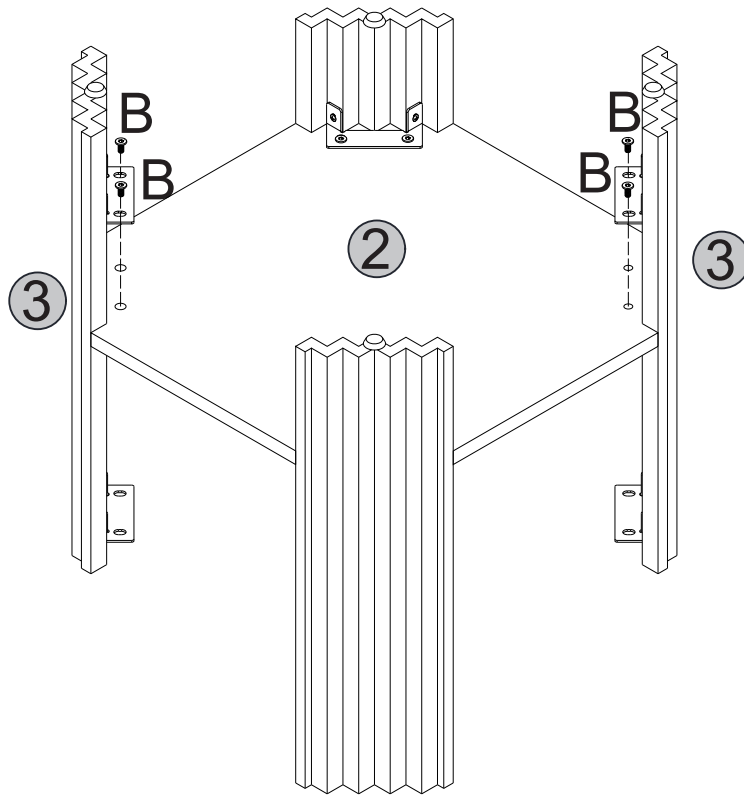
STEP 2

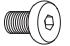



	B x 4PCS
	D x 1PC

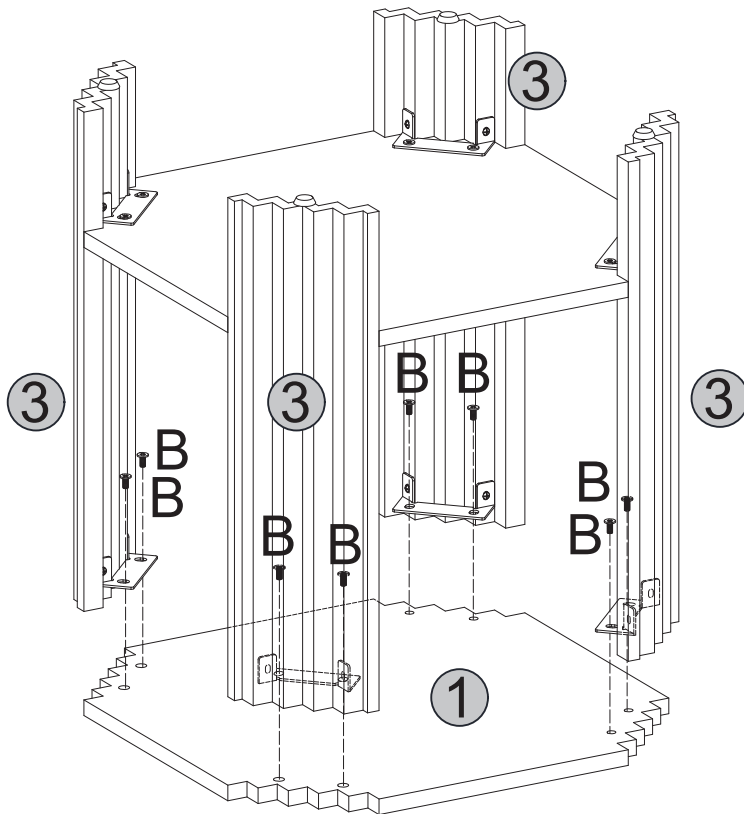
Assembly Steps(EN)



STEP 3



	B x 4PCS
	D x 1PC

STEP 4

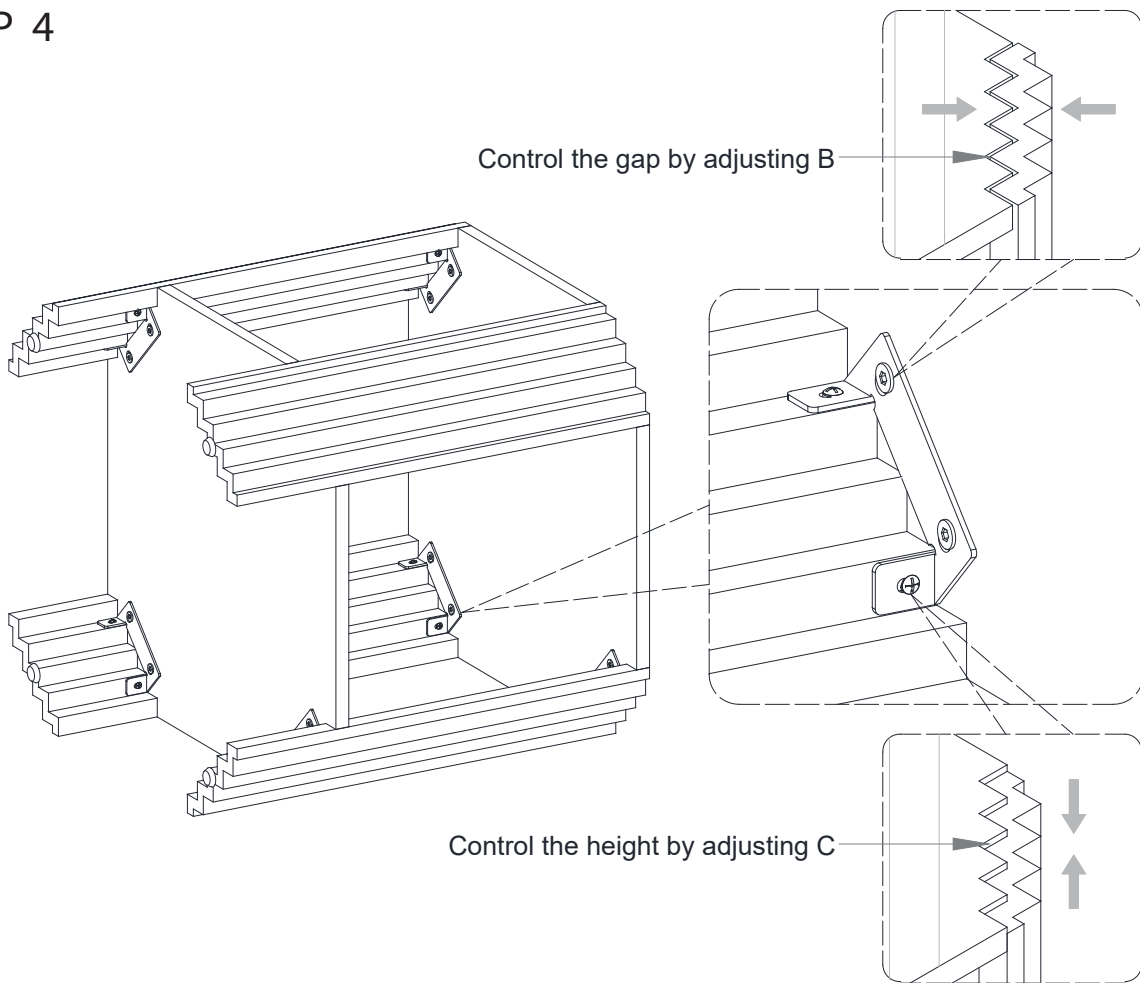


	B x 8PCS
	D x 1PC

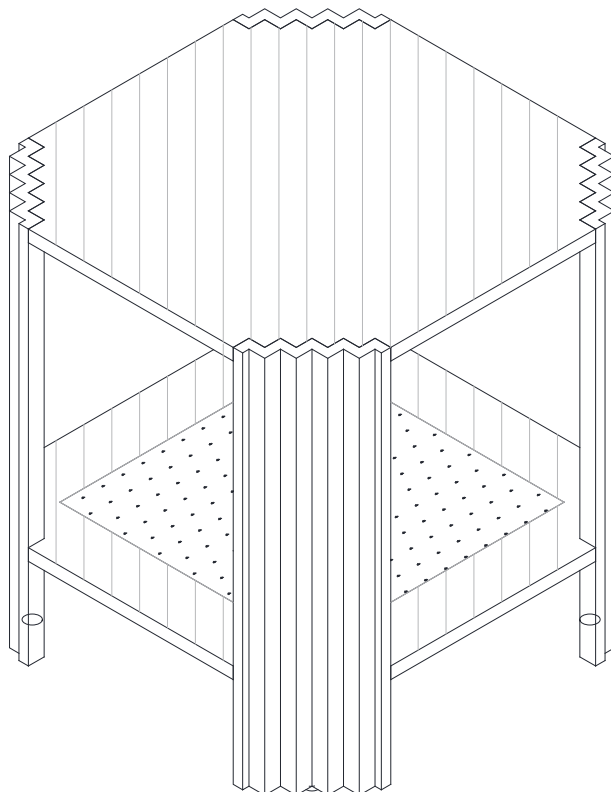
Note: Please be sure to place on a soft surface when assembling to prevent scratches on the panel.

Assembly Steps(EN)

STEP 4



STEP 6



Made in China

