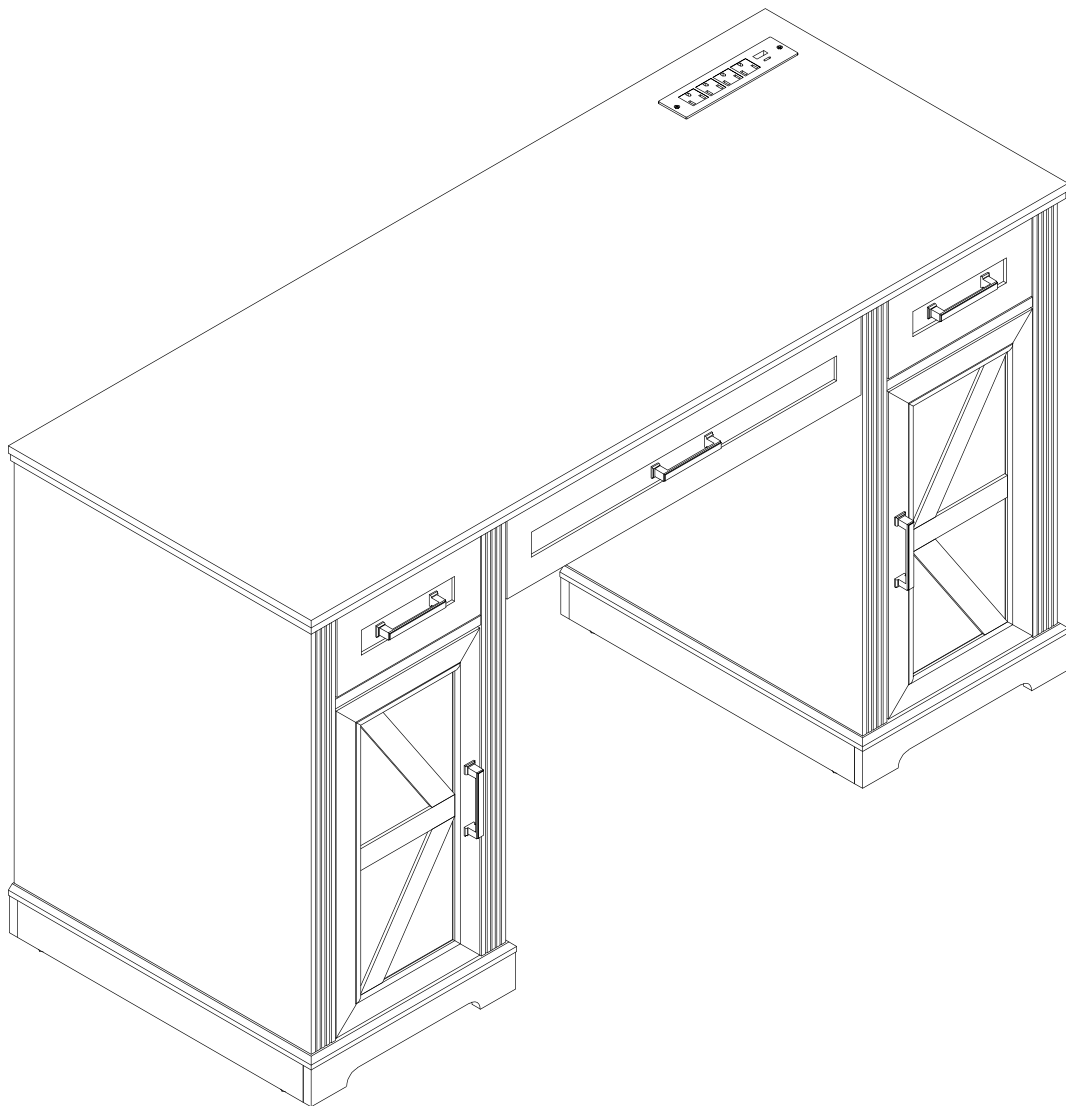


Executive Desk

Assembly Instruction



INTRODUCTION

Thank you for purchasing our products. Please read the instructions carefully before installation and keep it in a safe place for future reference. If you need any assistance or support, please feel free to contact our customer support team.

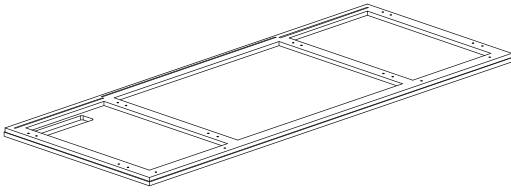
PRECAUTIONS

1. There are many components and accessories in the package. Each component and accessory is labeled with a letter or a number, check carefully before using any of them. Keep them away from children to prevent accidents.
2. Please install the product on a clean and soft underlay (such as carpet or cardboard) to avoid scratching or damaging the surface of the product.
3. The main components of the product is relatively heavy. Please pay attention to safety during installation.
4. The product is not stable during installation. Please do not move it randomly before it is completely installed.
5. If you have any questions during installation, please contact the customer service in time.

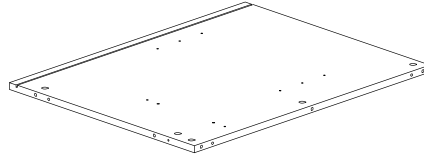
* PLEASE BE SURE TO FOLLOW THE INSTALLATION STEPS IN THE MANUAL TO AVOID UNNECESSARY LOSSES CAUSED BY IMPROPER INSTALLATION.

* IF YOU NEED FURTHER ASSISTANCE, PLEASE CONTACT THE CUSTOMER SERVICE ONLINE.

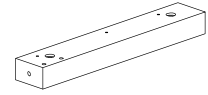
Parts List



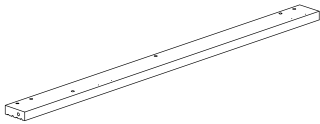
① 1PC



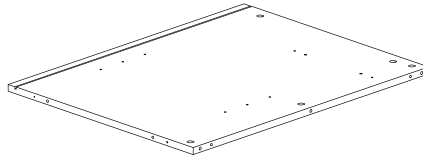
② 1PC



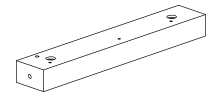
③ 1PC



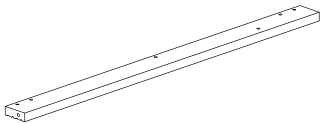
④ 1PC



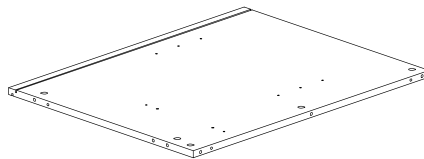
⑤ 1PC



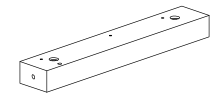
⑥ 1PC



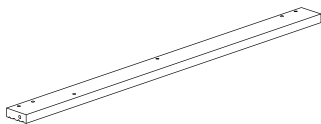
⑦ 1PC



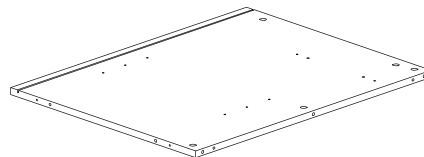
⑧ 1PC



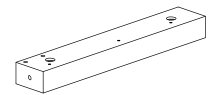
⑨ 1PC



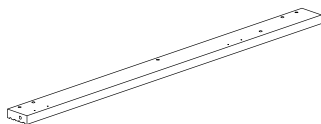
⑩ 1PC



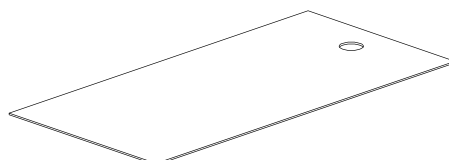
⑪ 1PC



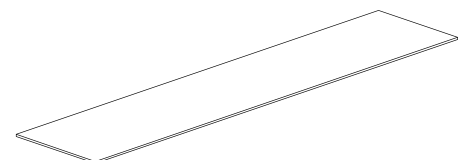
⑫ 1PC



⑬ 1PC

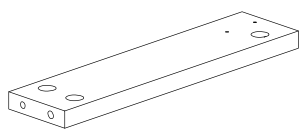


⑭ 2PCS

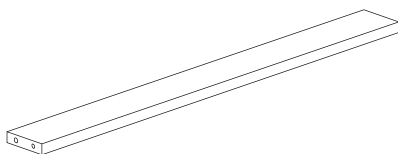


⑮ 1PC

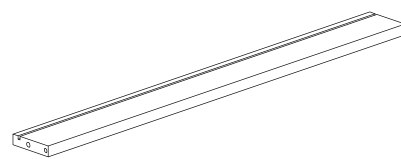
Parts List



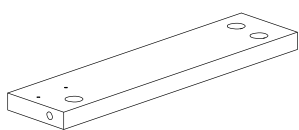
①⑥ 1PC



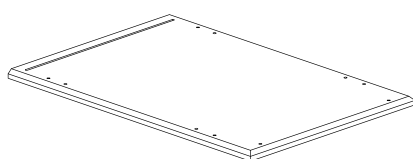
①⑦ 1PC



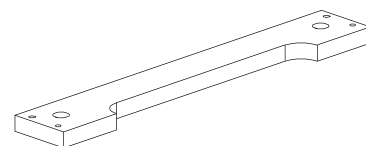
①⑧ 1PC



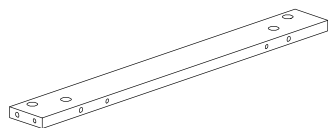
①⑨ 1PC



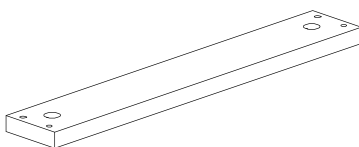
②⑩ 2PCS



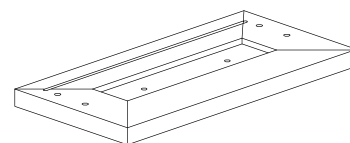
②① 2PCS



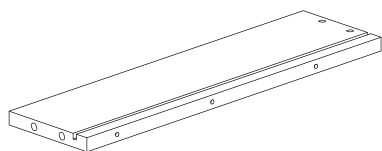
②② 4PCS



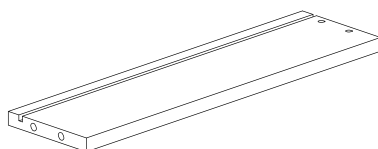
②③ 2PCS



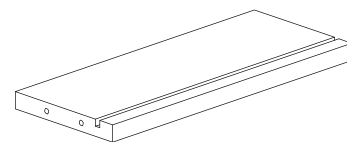
②④ 2PCS



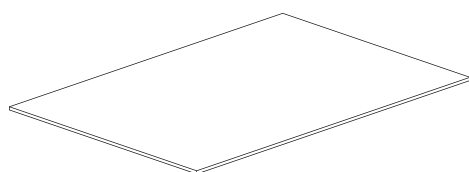
②⑤ 2PCS



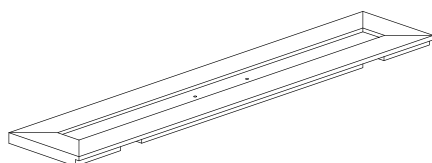
②⑥ 2PCS



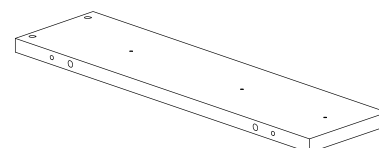
②⑦ 2PCS



②⑧ 2PCS

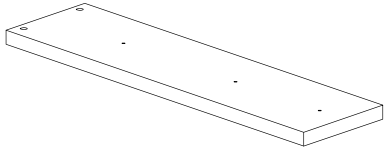


②⑨ 1PC

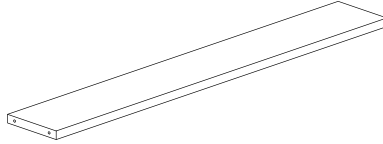


③⑩ 1PC

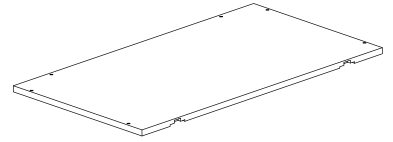
Parts List



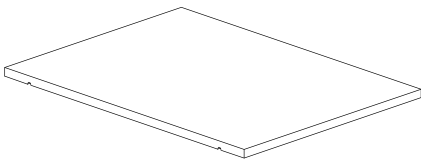
31 1PC



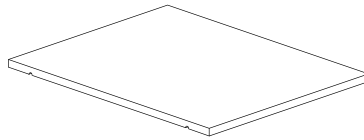
32 1PC



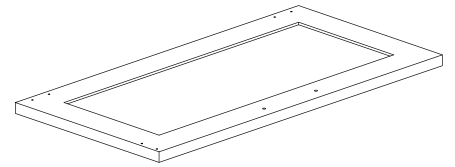
33 1PC



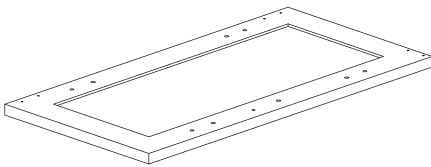
34 1PC



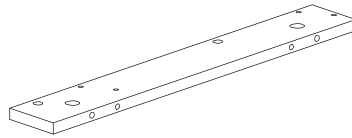
35 1PC



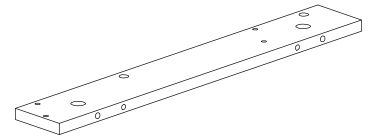
36 1PC



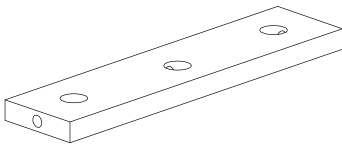
37 1PC



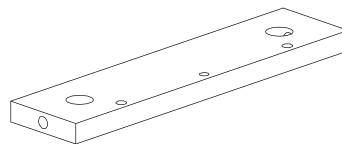
38 1PC



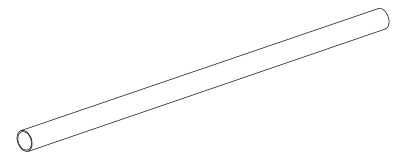
39 1PC



40 2PCS

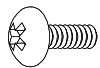
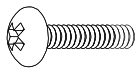


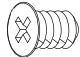
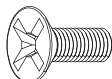

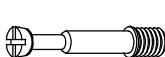

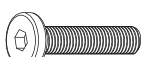


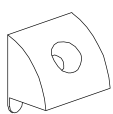
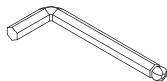

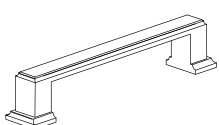




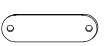


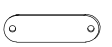








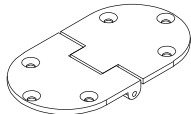
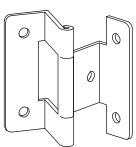
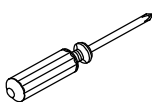




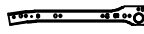

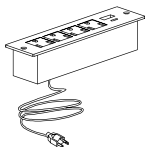


41 2PCS

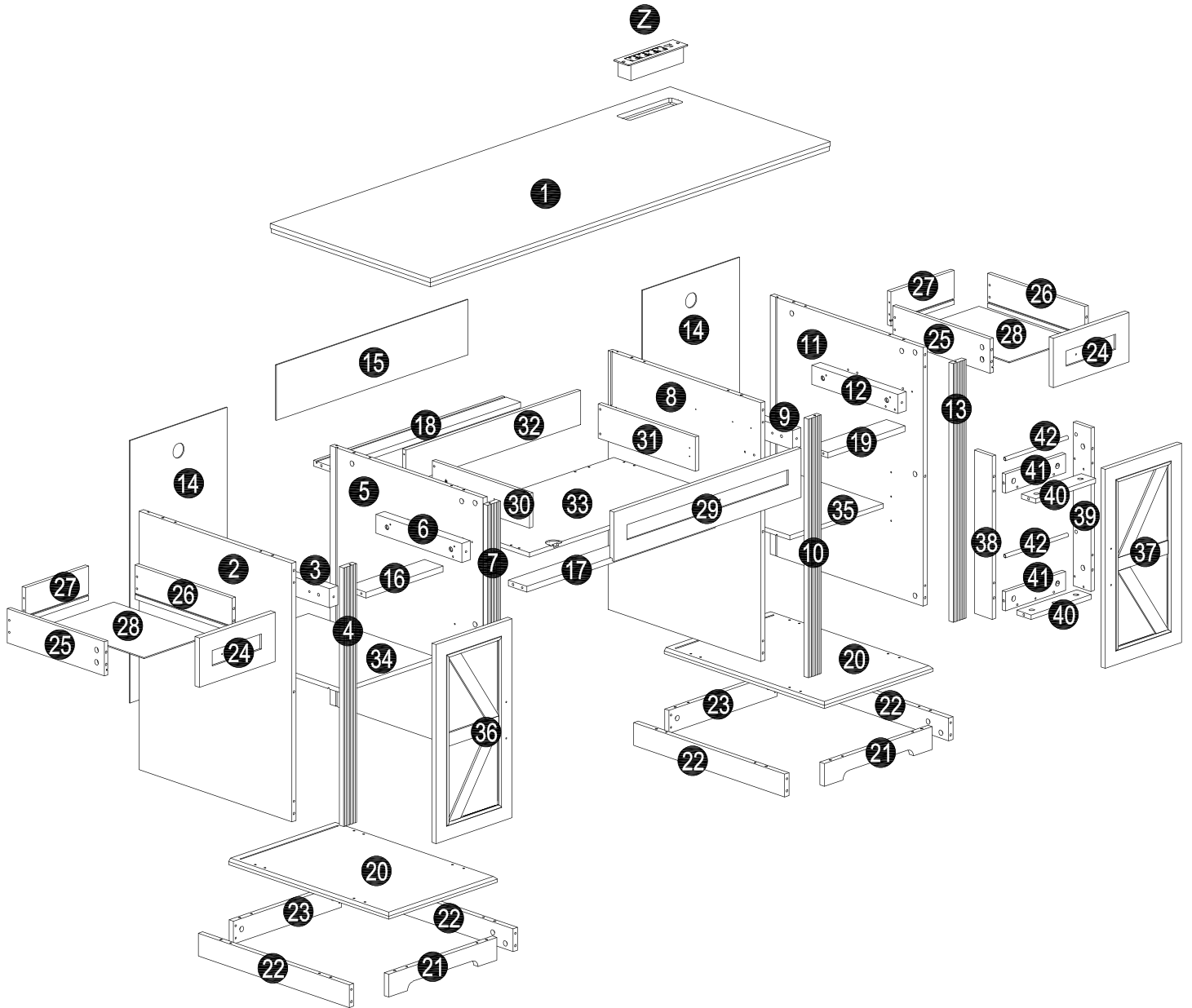


42 2PCS

Hardware List

A	×6	B	×4	C	×30	D	×18	E	×32
									
M4×8mm		M4×18mm		φ3.5×12mm		φ3.5×15mm		φ5×8mm	
F	×12	G	×78	H	×78	I	×84	J	×8
									
M4×10mm		φ15×9mm		φ6×35mm		φ6×30mm		M6×35mm	
K	×26	L	×8	M	×18	N	×1	O	×1
									
φ5×48mm		φ5×15mm				M4		M3	
P	×5	Q	×1	R	×1	S	×1	T	×2
		1  2  3  		     		     			
U	×4	V	×1	W	×1	X	×1		
									
Y	×2	Z	×1						
CL  DL 		CR  DR 							

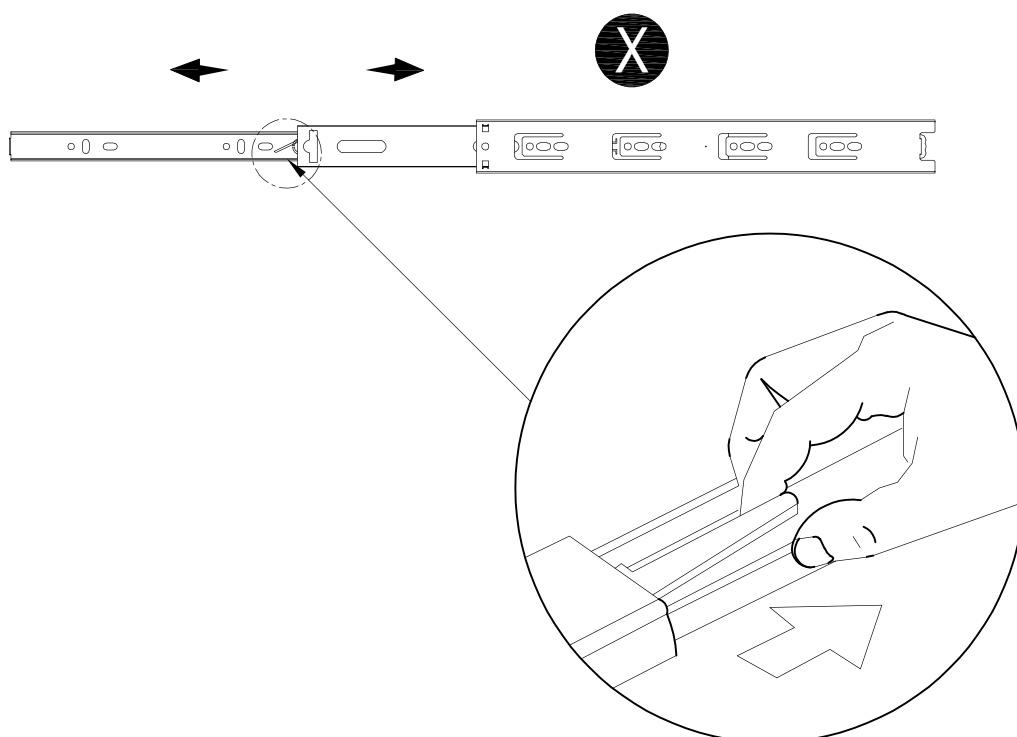
Parts List



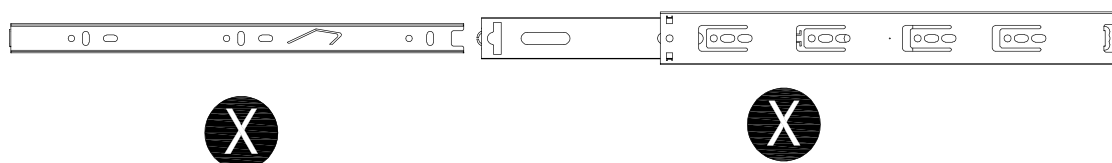
Step 1

Before installing the drawer rail,
you need to separate the X-1 and X-2 first

1. Place the 52 as shown in the picture,
Then Pull out the X-2



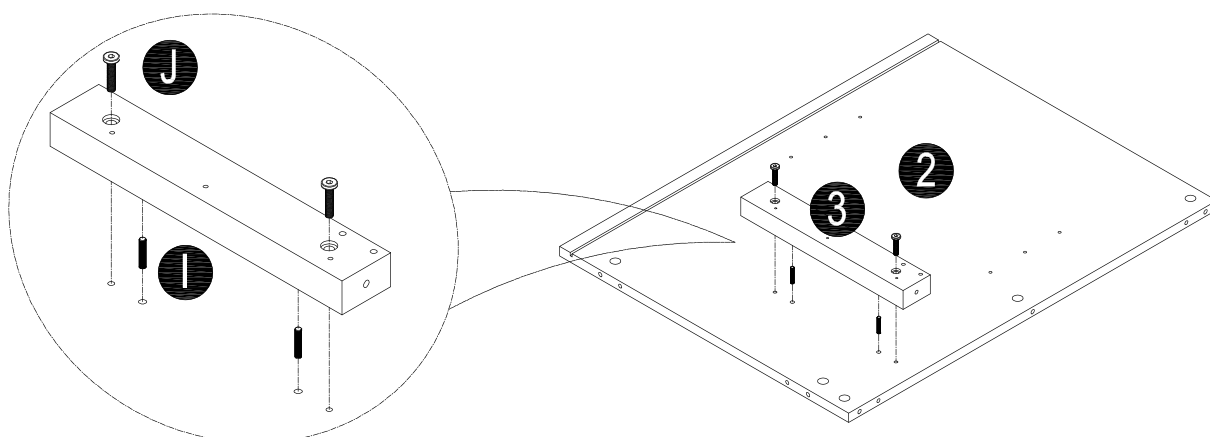
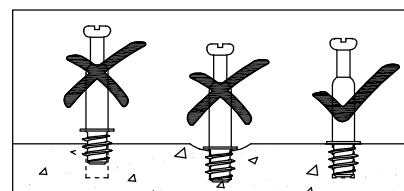
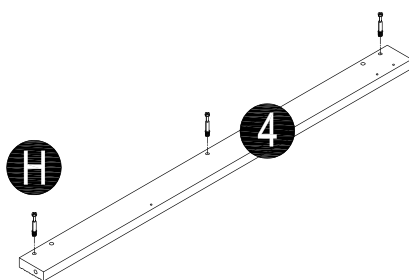
2. Find the latch position, Press it and split



Step 2

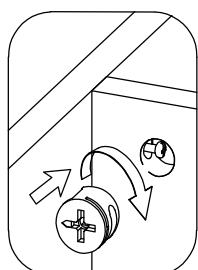
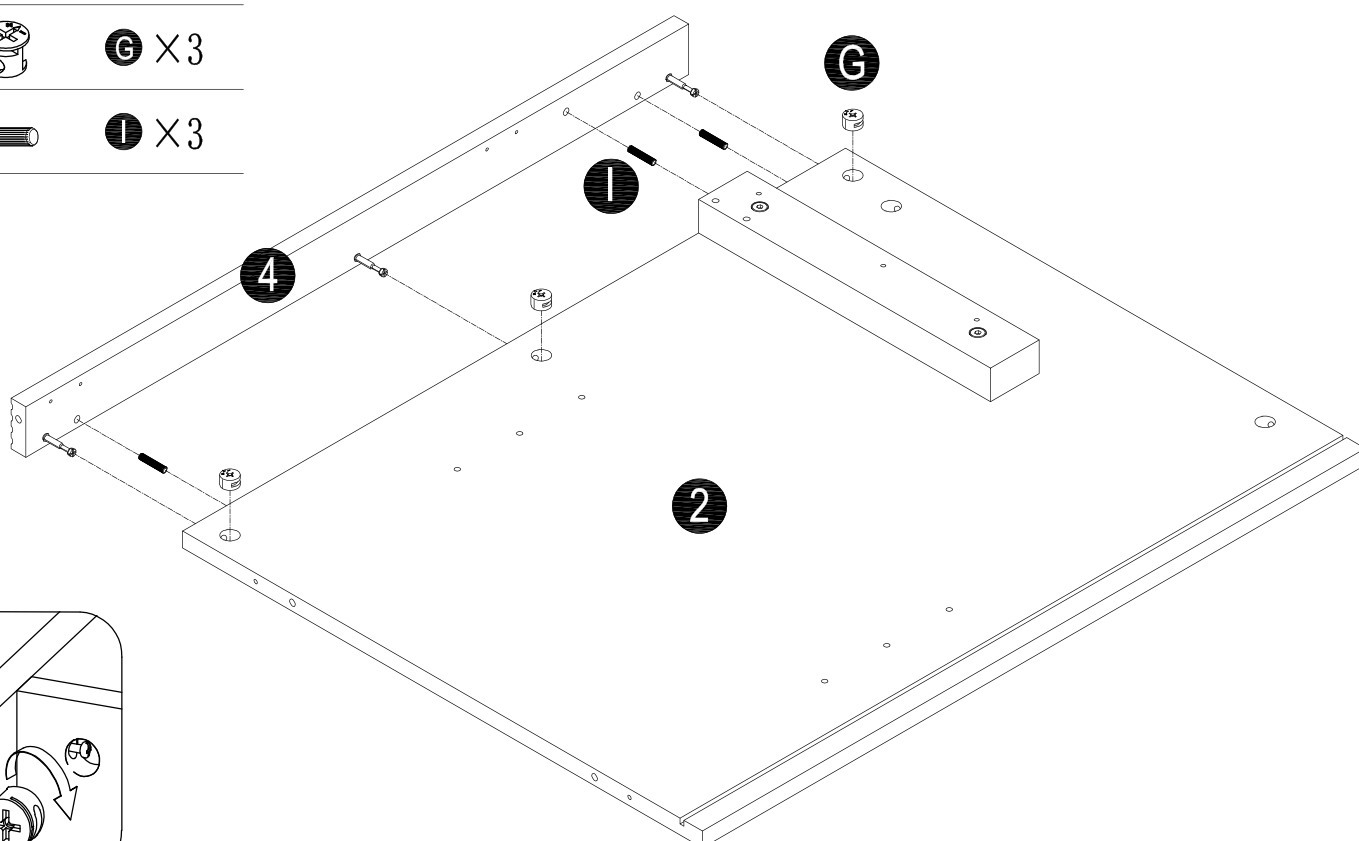
 **H** × 3

 **I** × 2

 **J** × 2


Step 3

 **G** × 3

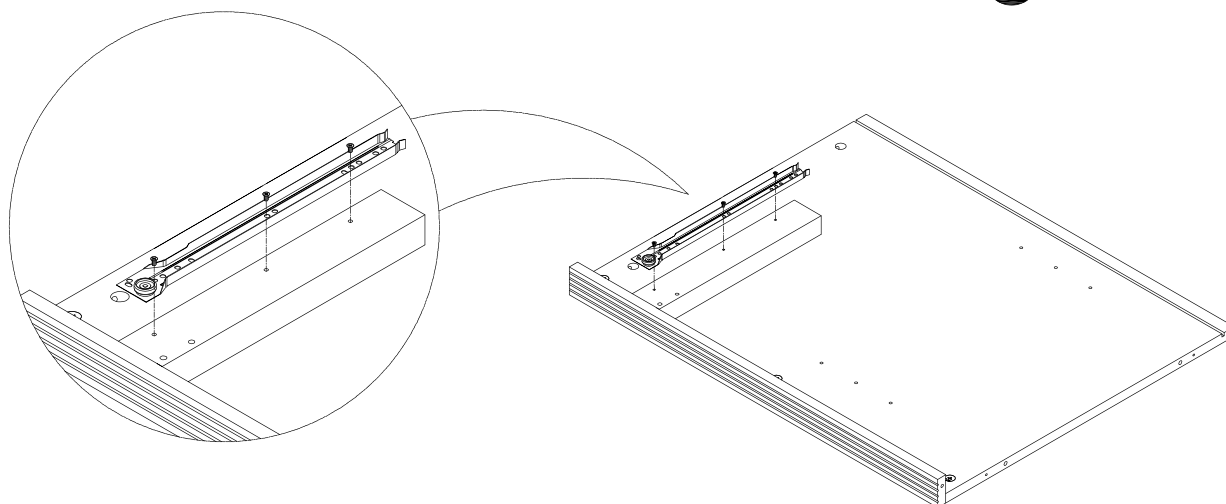
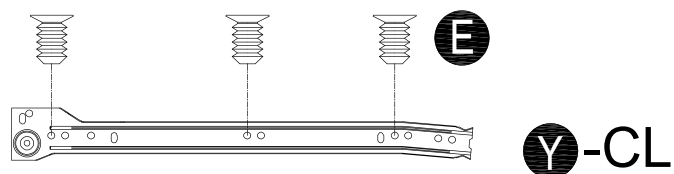
 **I** × 3


Step 4

Important reminder: Please assemble the E screw according to the hole indicated by the arrow

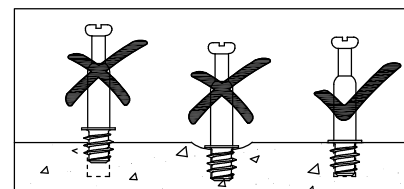
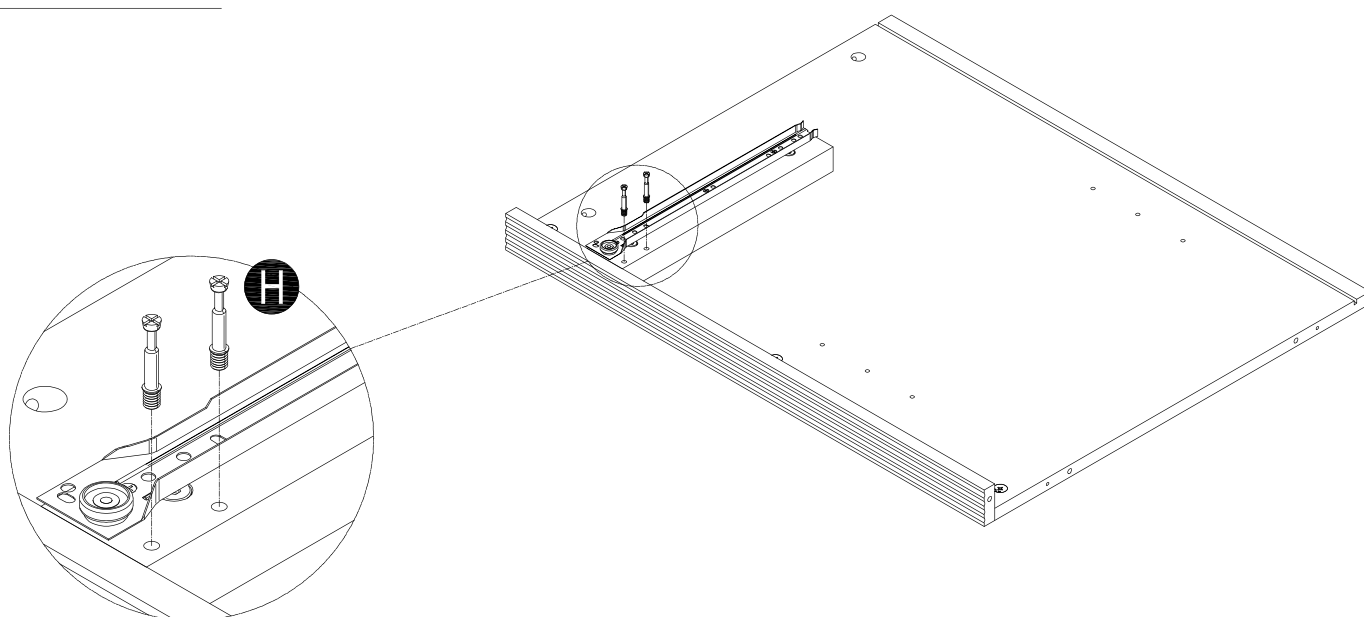
 Y-CL X1

 E X3



Step 5

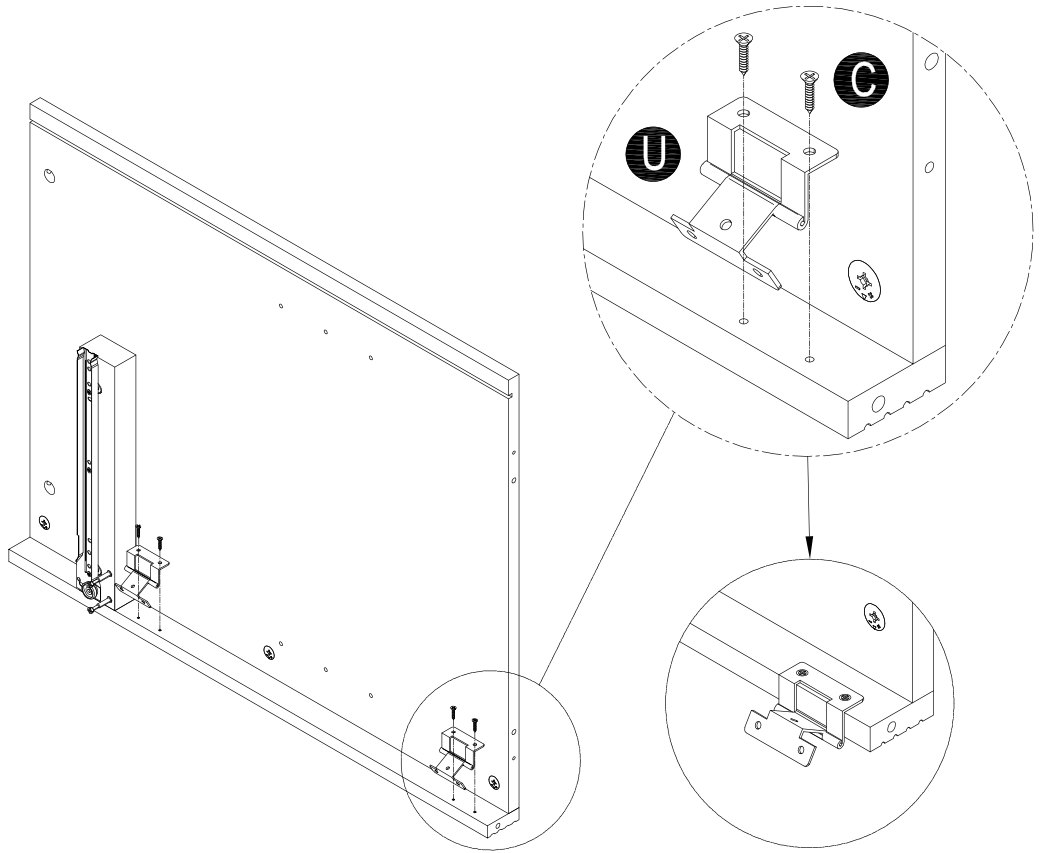
 H X2



Step 6

 **C** X4

 **U** X2

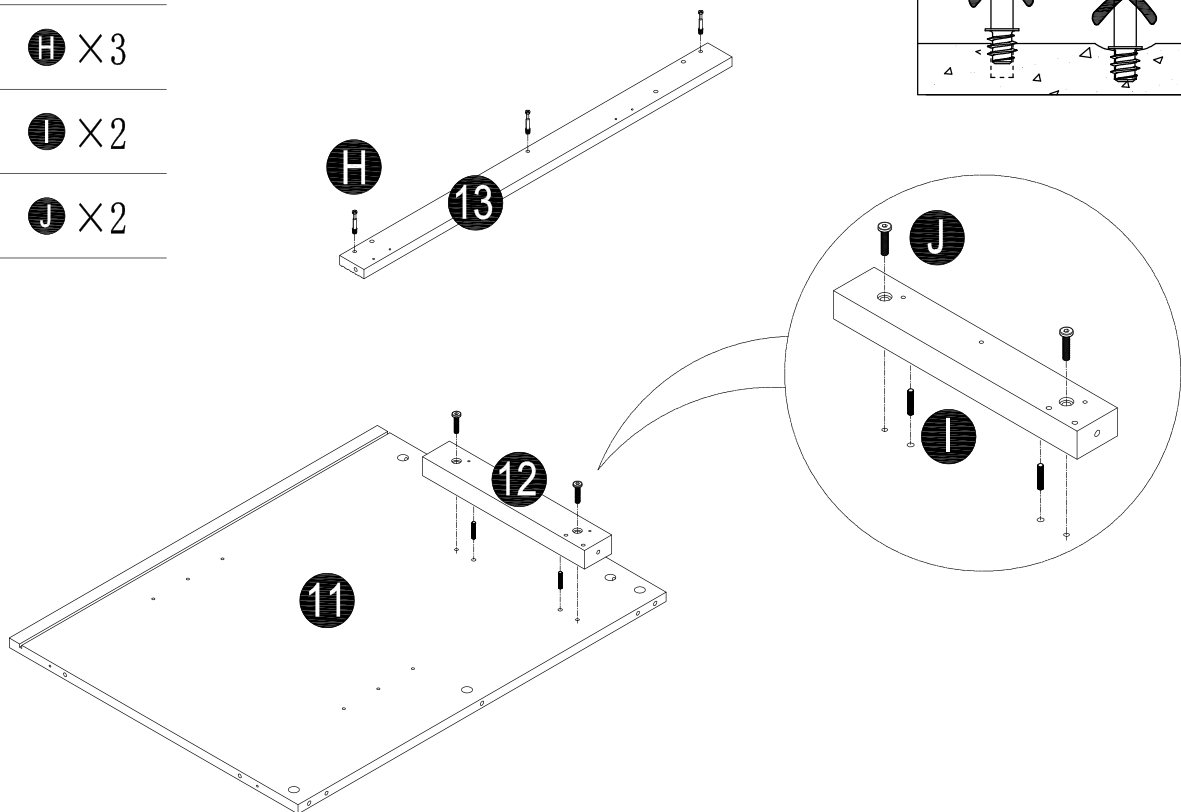
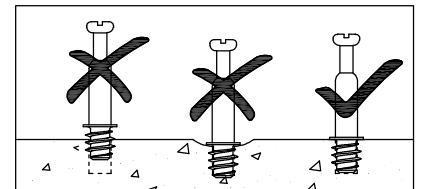


Step 7



 **H** X3

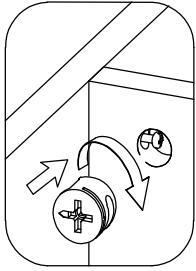
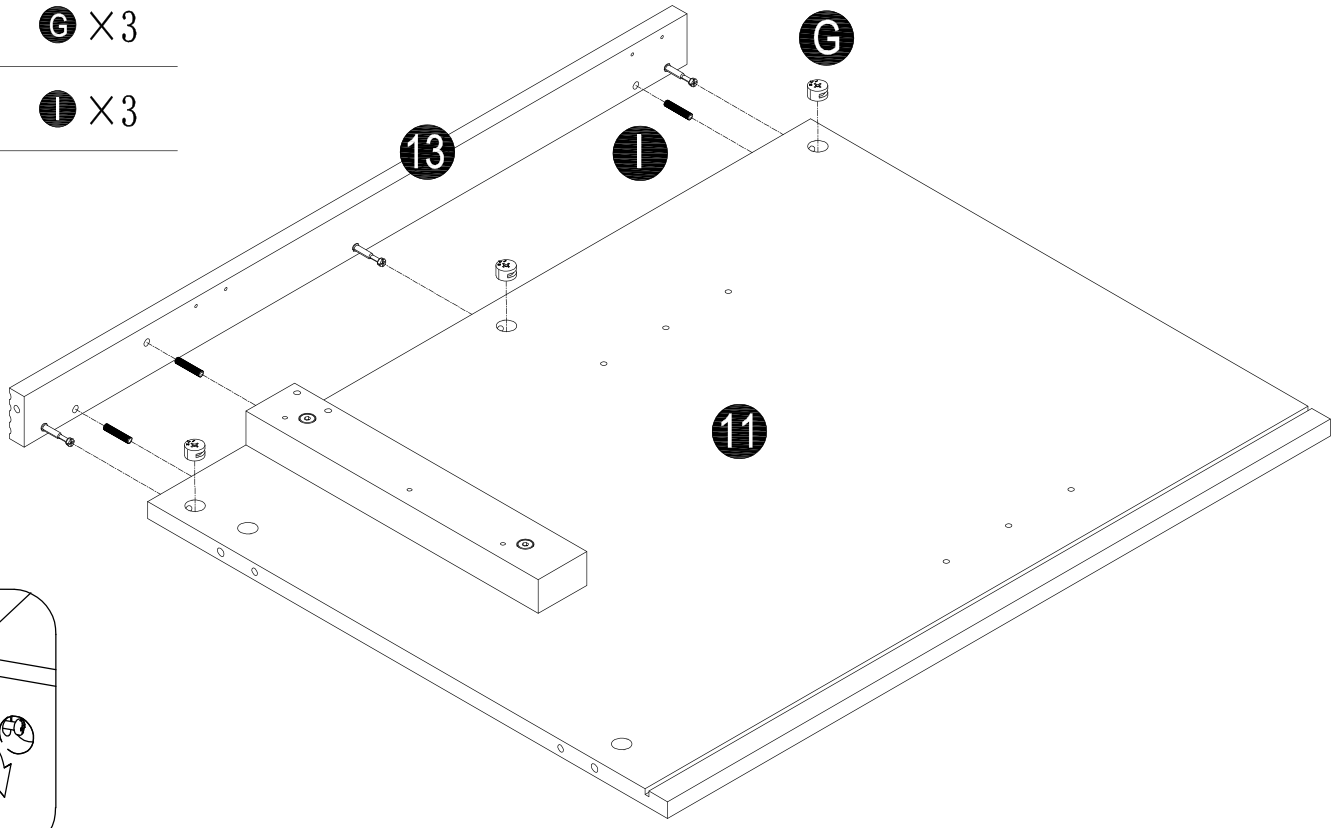
 **I** X2

 **J** X2





Step 8

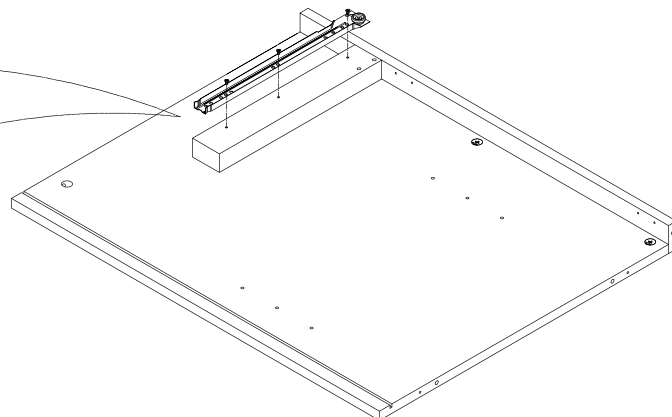
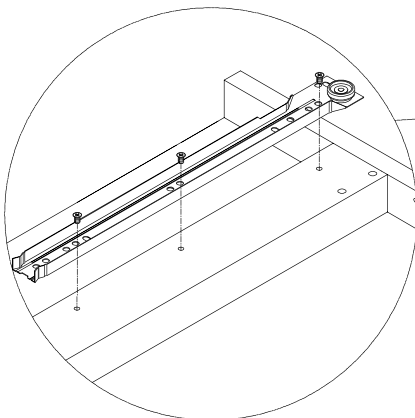
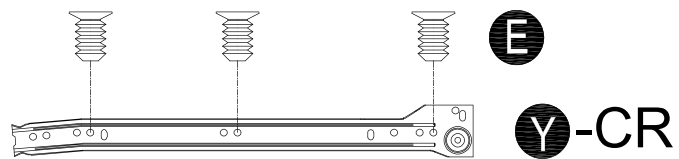
-  **G** X 3
-  **L** X 3



Step 9

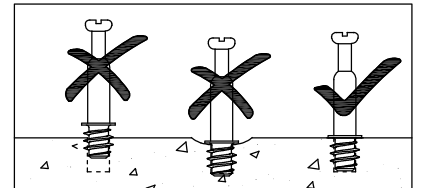
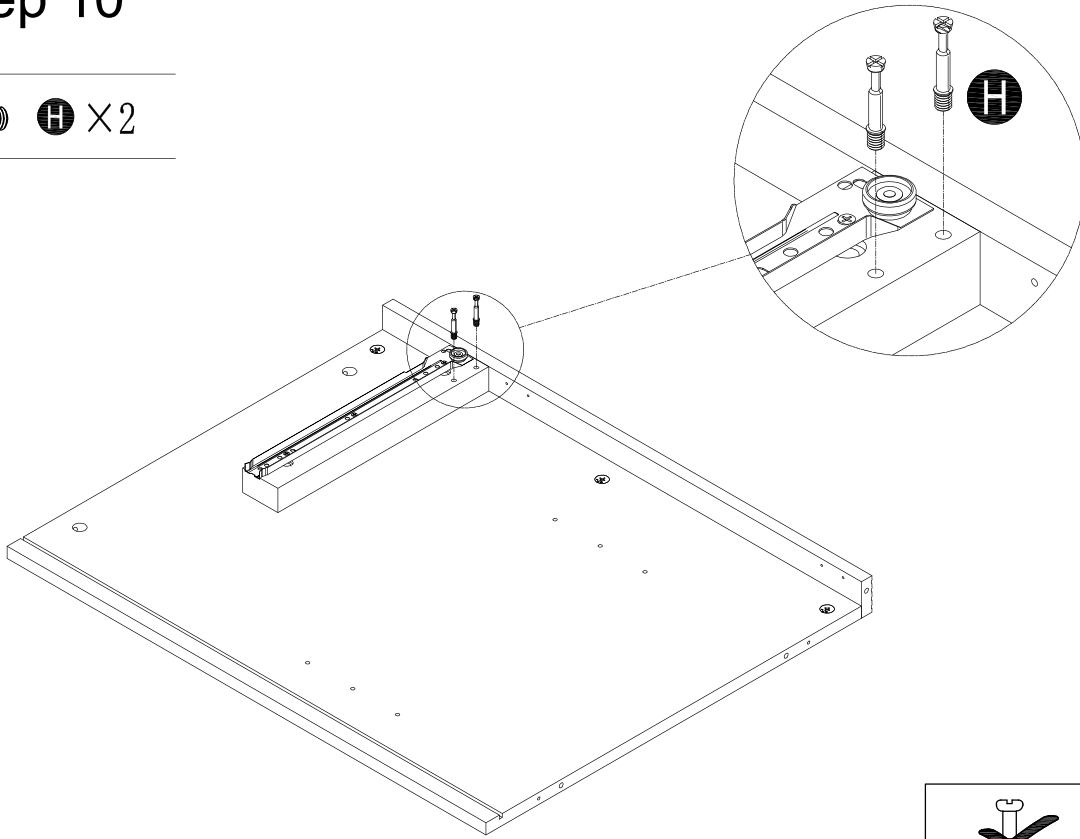
-  **Y-CR** X 1
-  **E** X 3

Important reminder: Please assemble the E screw according to the hole indicated by the arrow



Step 10

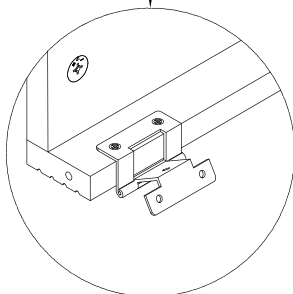
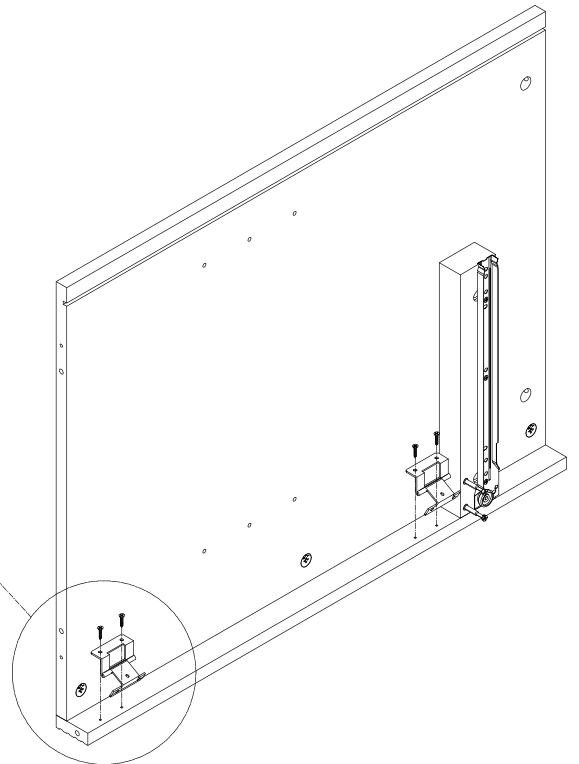
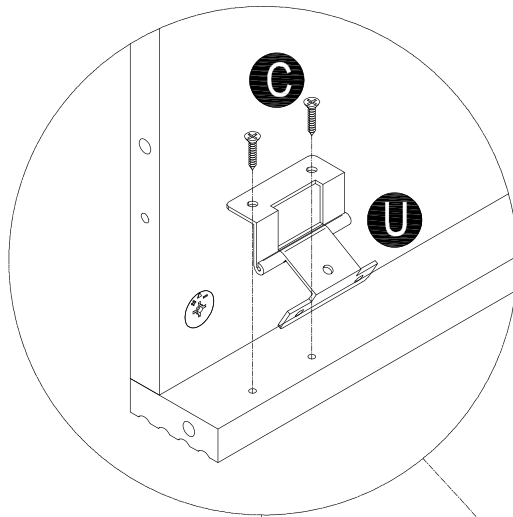
  X2



Step 11

  X4

  X2

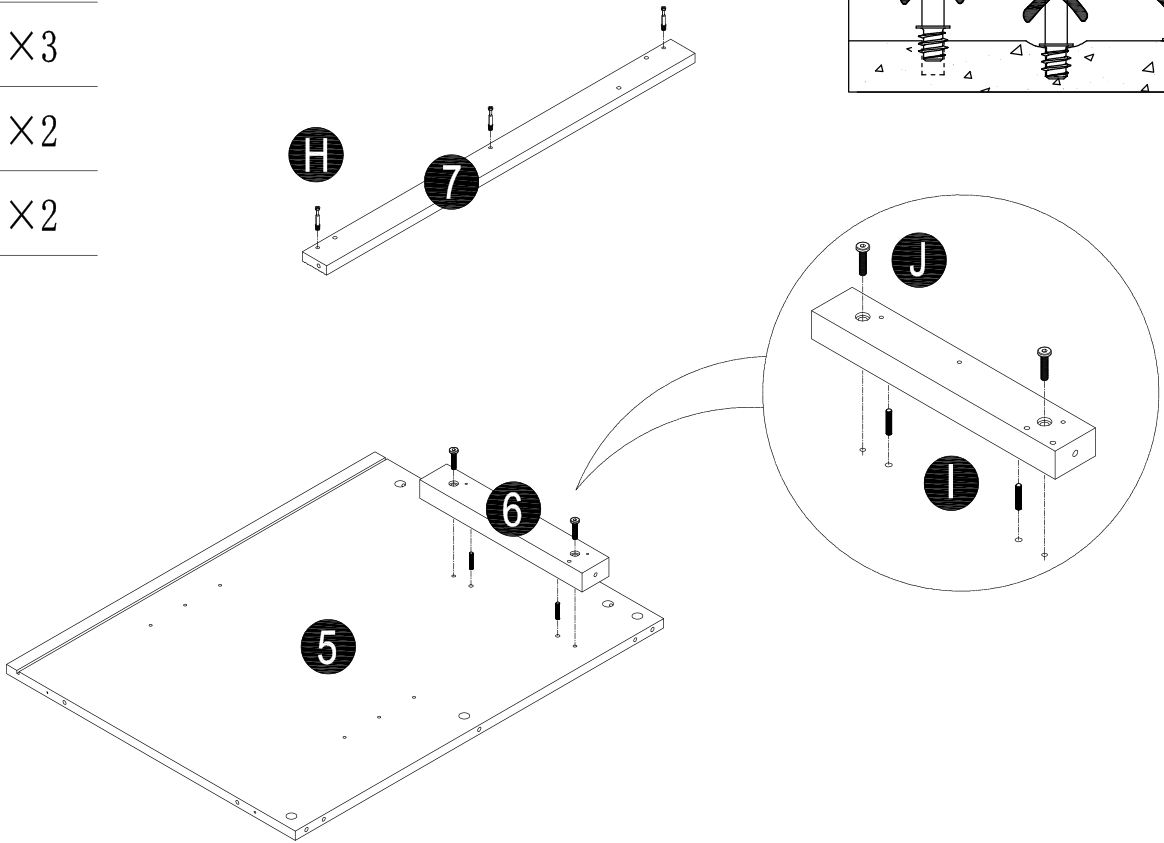
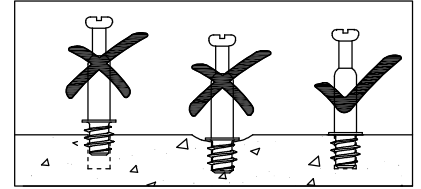


Step 12

 **H** X 3

 **I** X 2

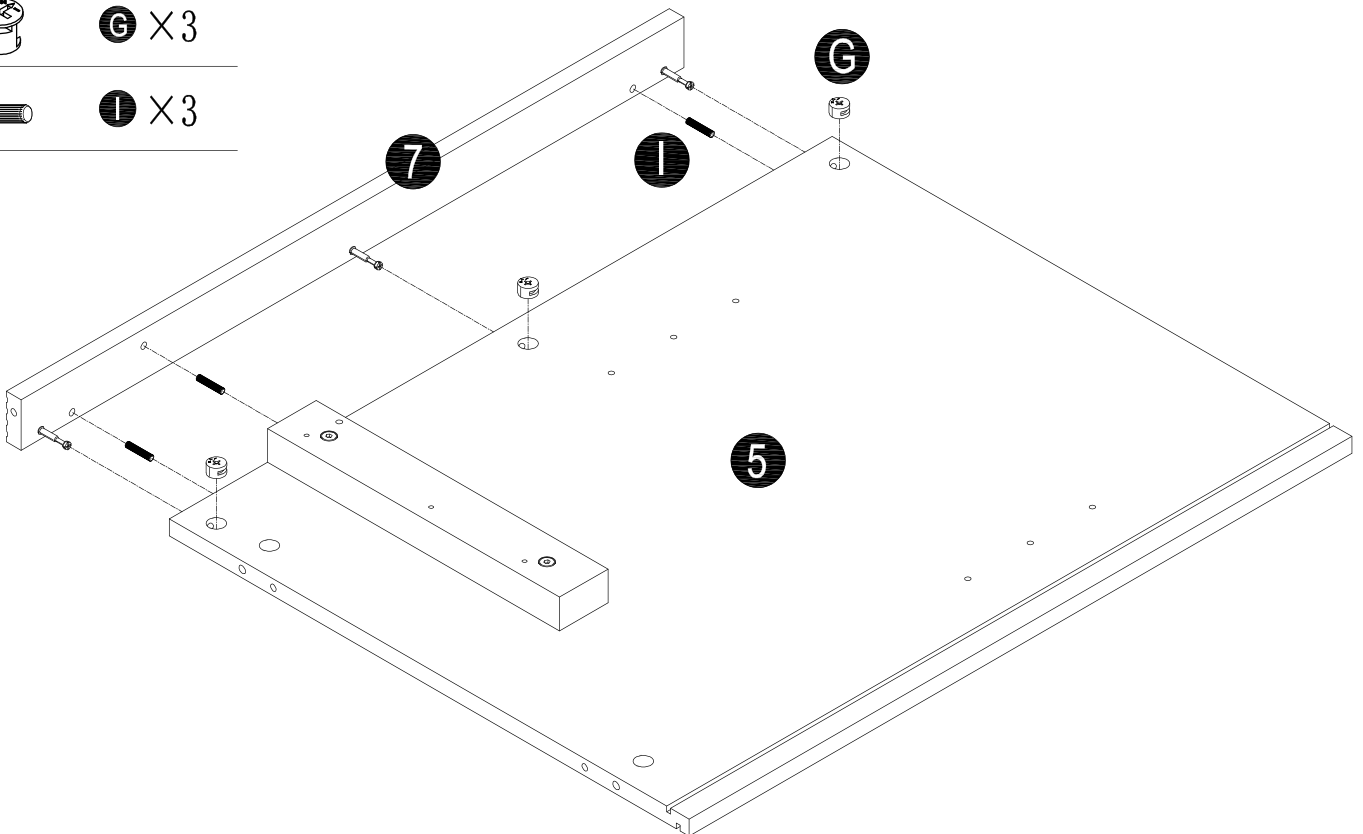
 **J** X 2



Step 13

 **G** X 3

 **I** X 3

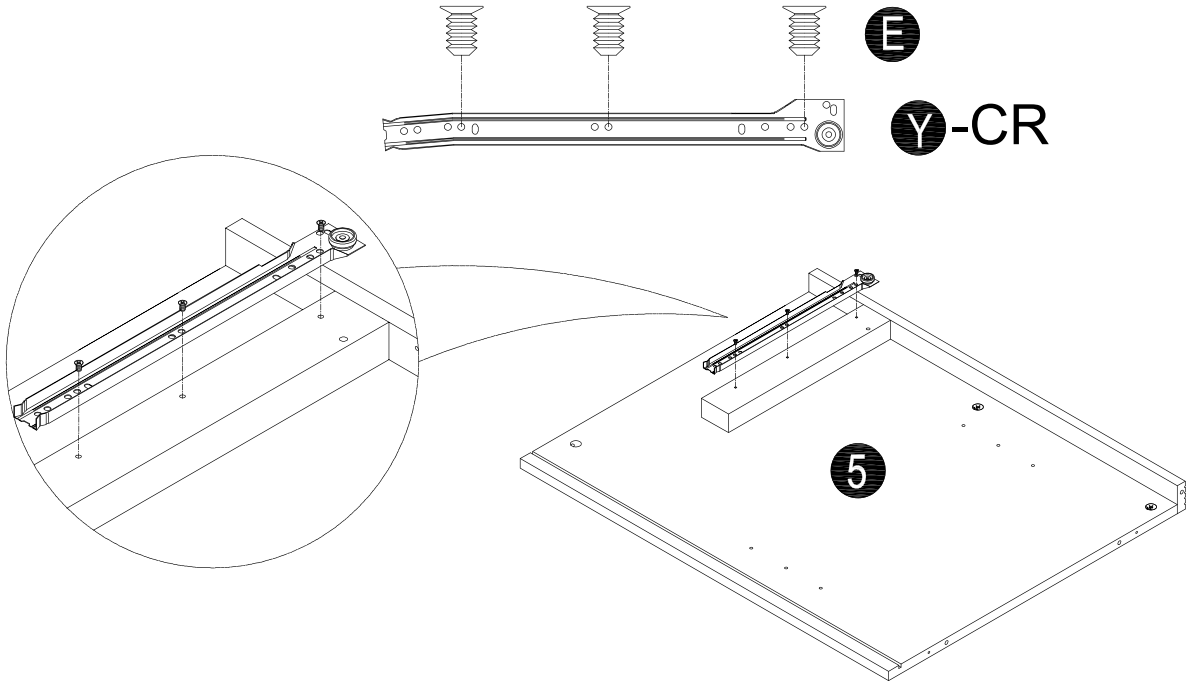


Step 14

Important reminder: Please assemble the E screw according to the hole indicated by the arrow

 Y-CR X1

 E X3

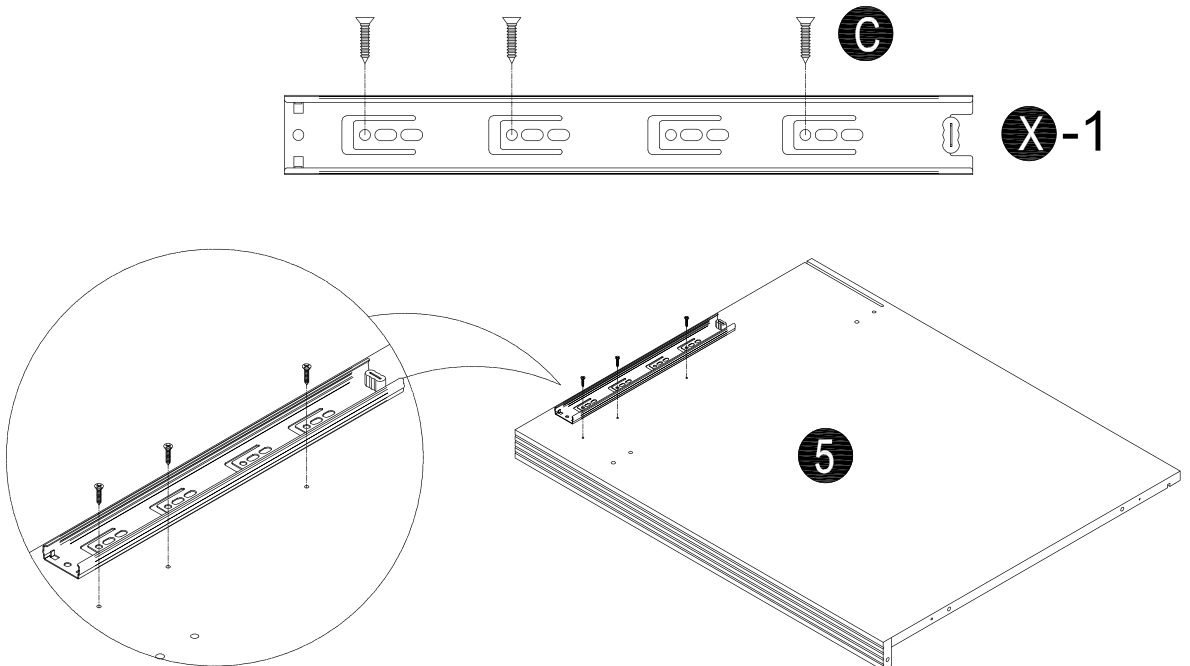


Step 15

Important reminder: Please assemble the C screw according to the hole indicated by the arrow

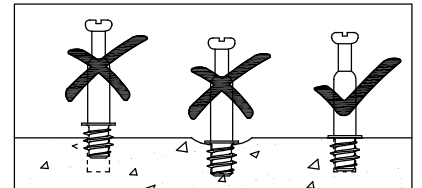
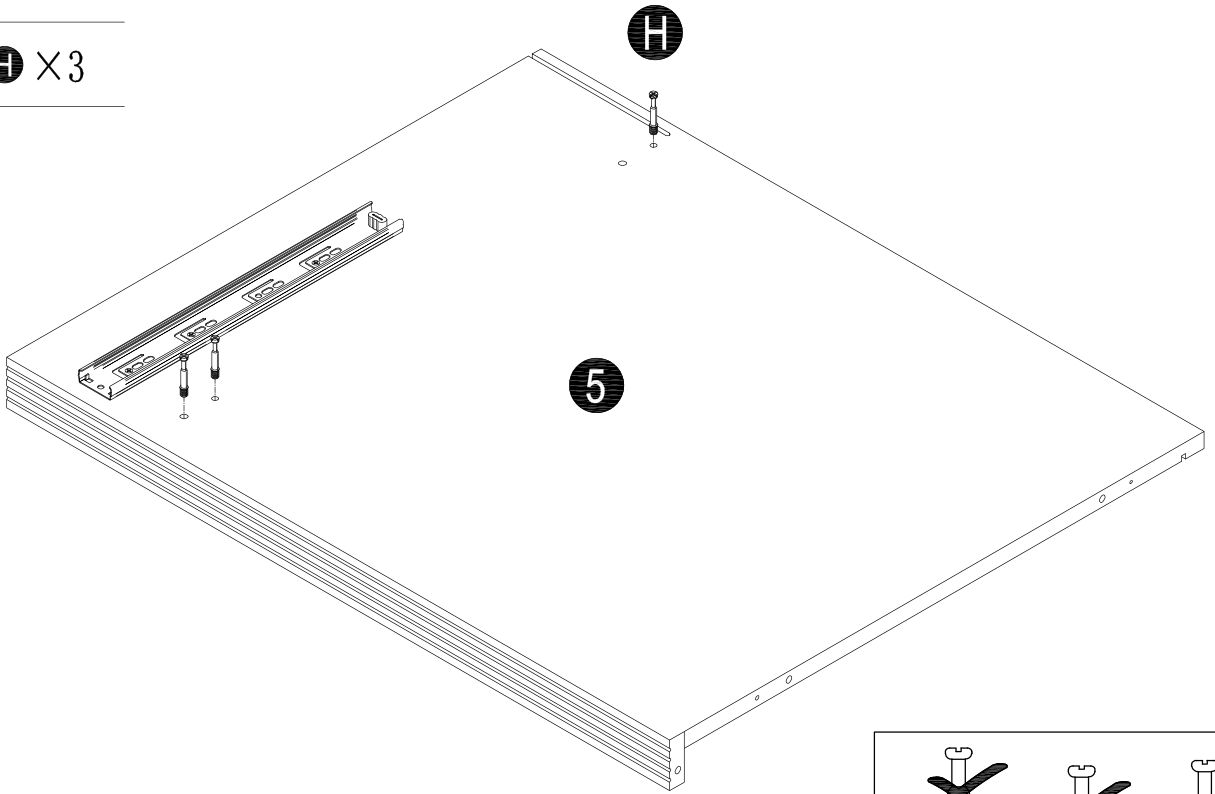
 X-1 X1

 C X3



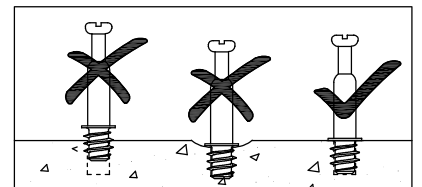
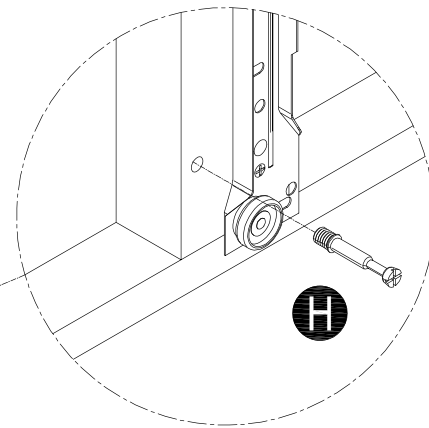
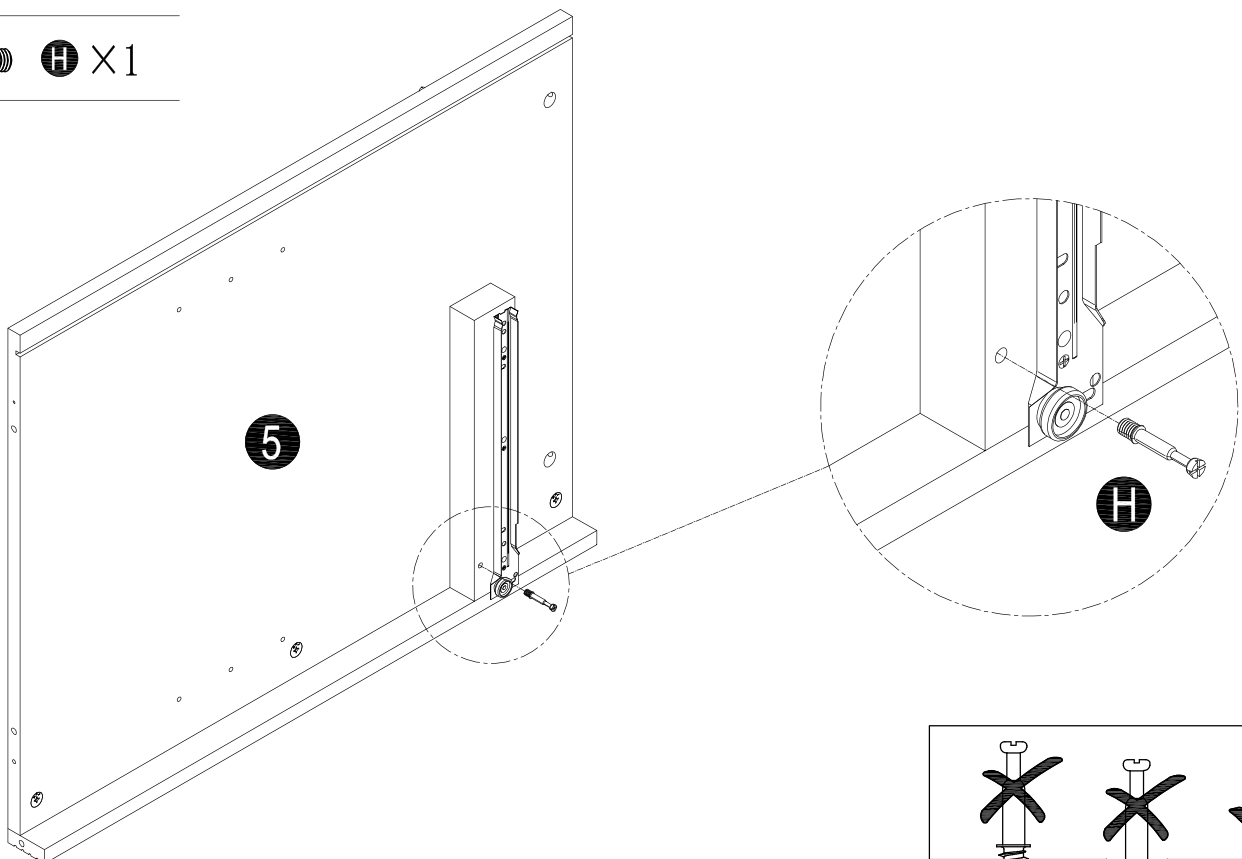
Step 16

  X3

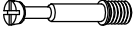

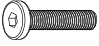


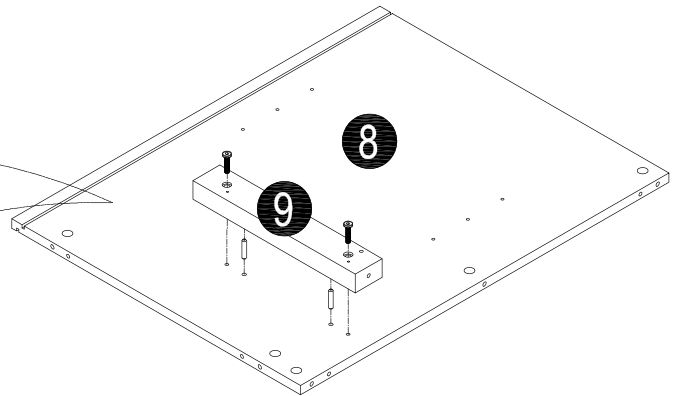
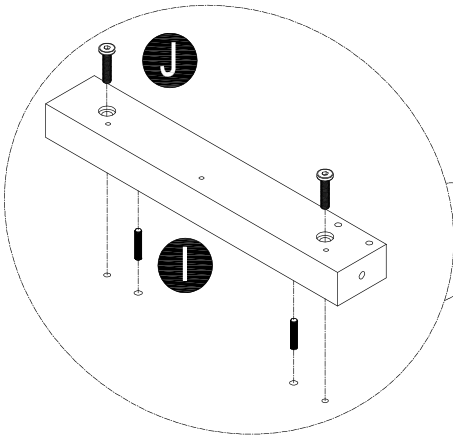
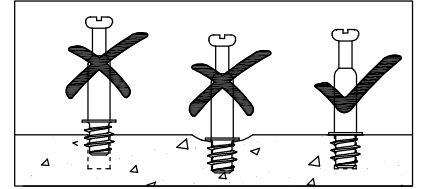
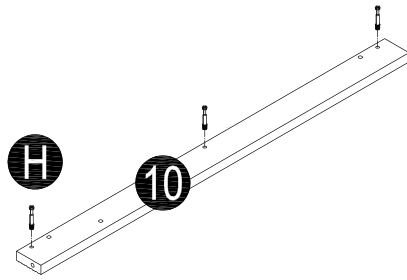
Step 17

  X1





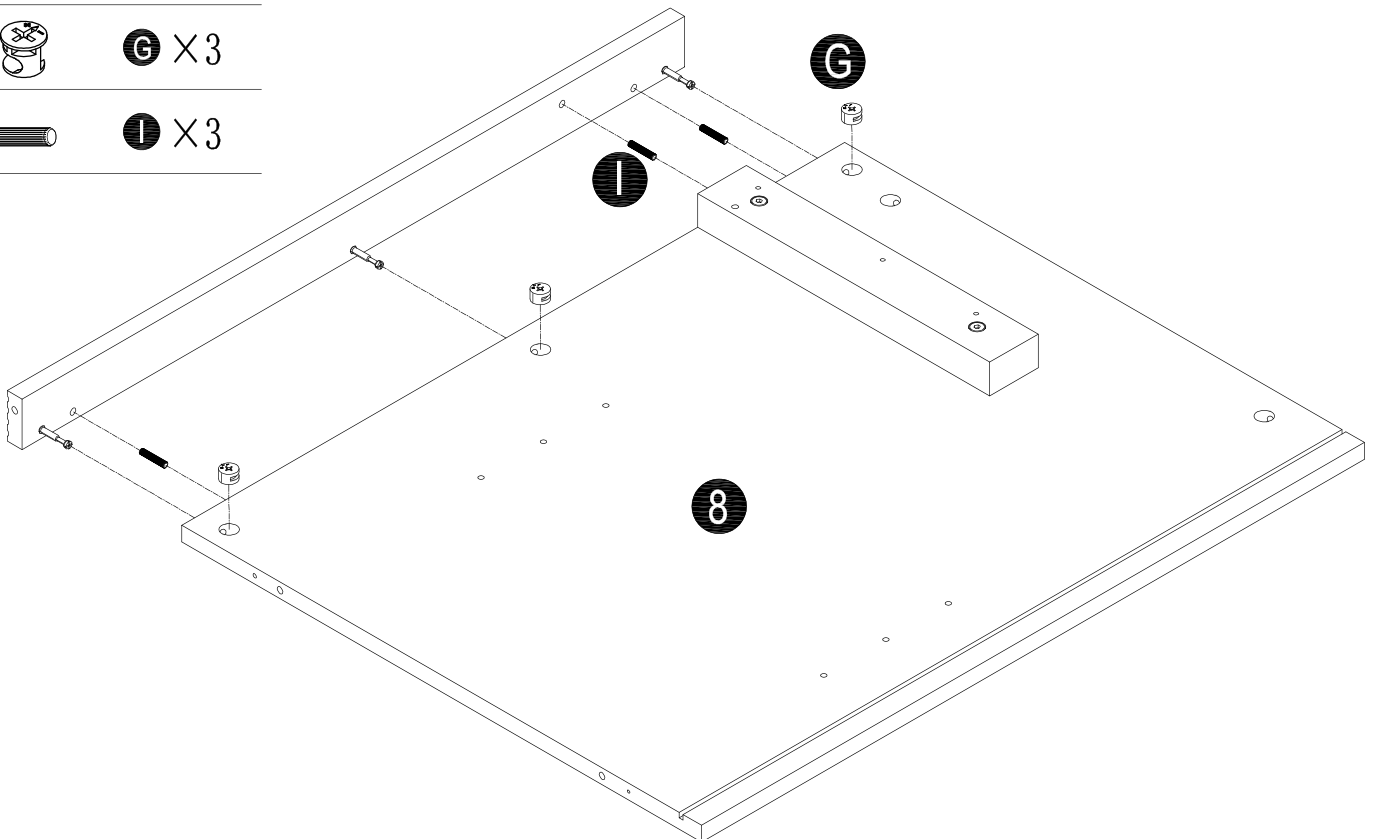
Step 18

-  **H** × 3
-  **I** × 2
-  **J** × 2



Step 19

-  **G** × 3
-  **I** × 3

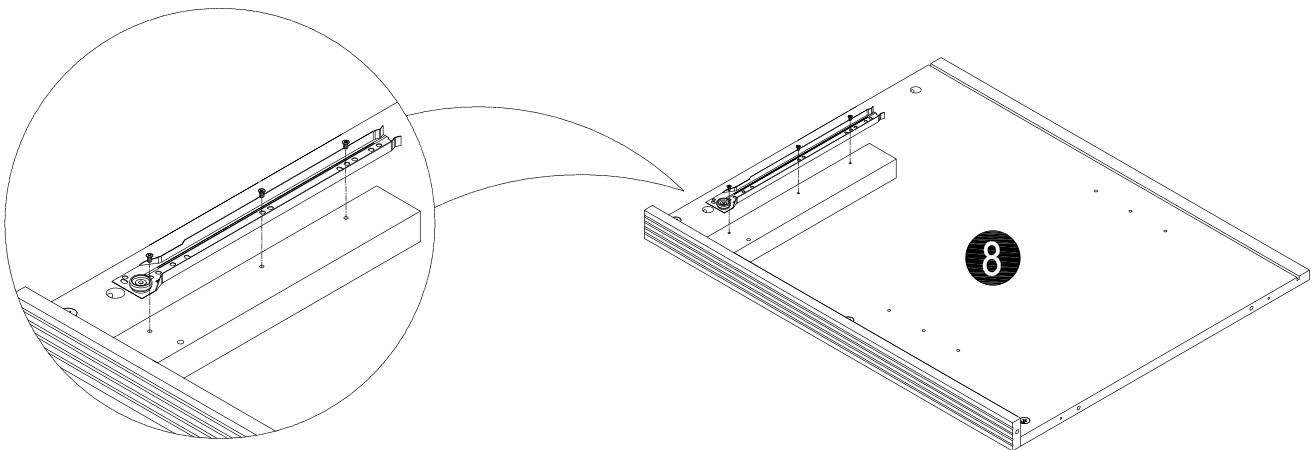
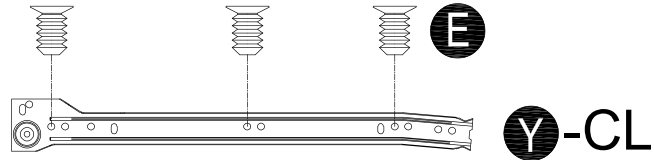


Step 20

 **Y-CL** X1


 **E** X3

Important reminder: Please assemble the E screw according to the hole indicated by the arrow

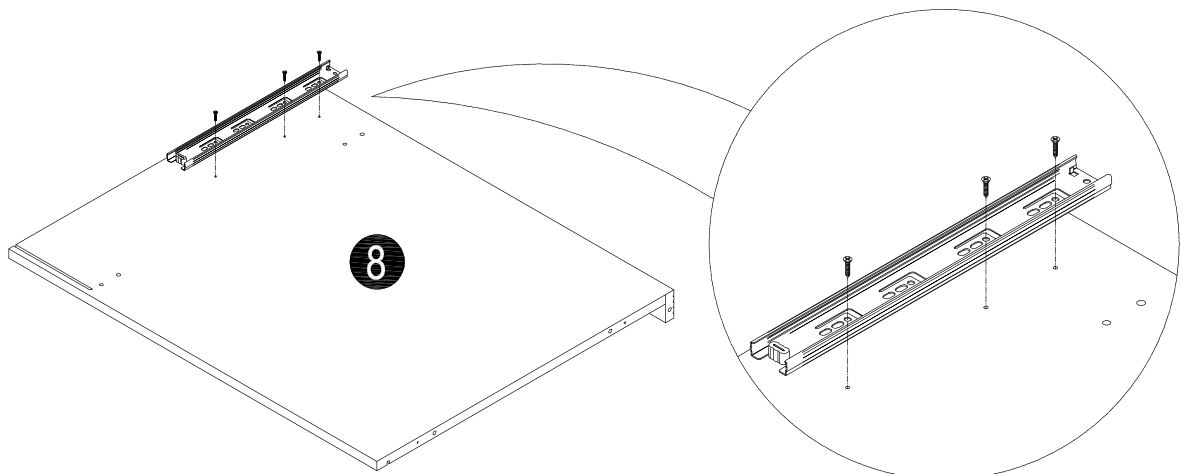
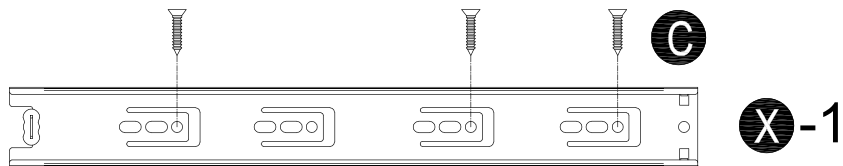


Step 21

 **X-1** X1

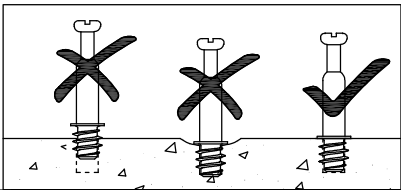
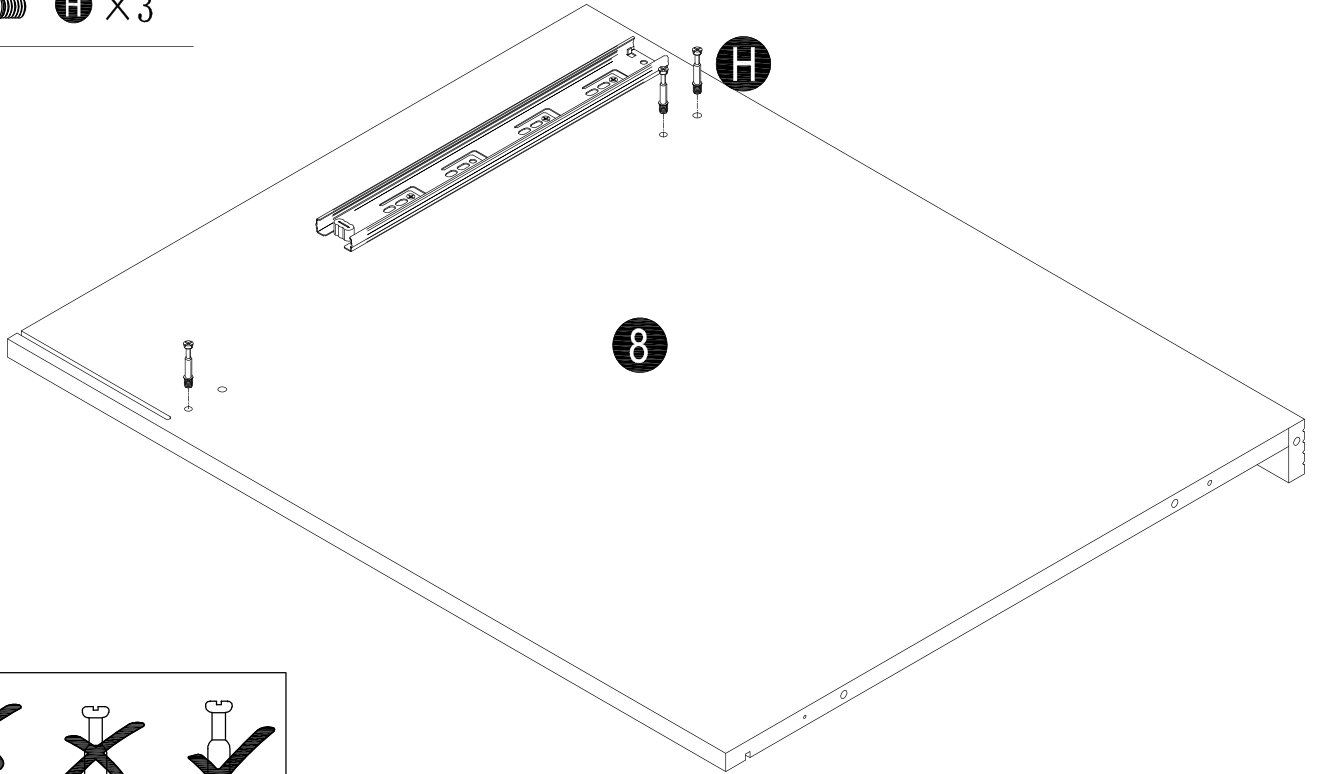
 **C** X3

Important reminder: Please assemble the C screw according to the hole indicated by the arrow



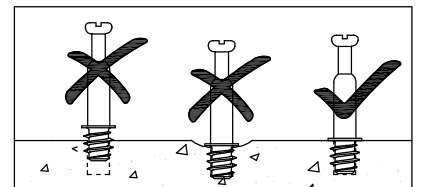
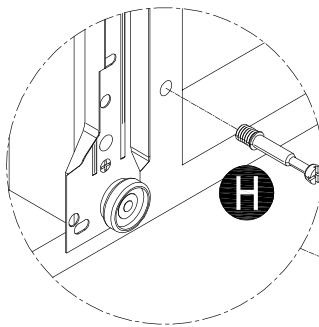
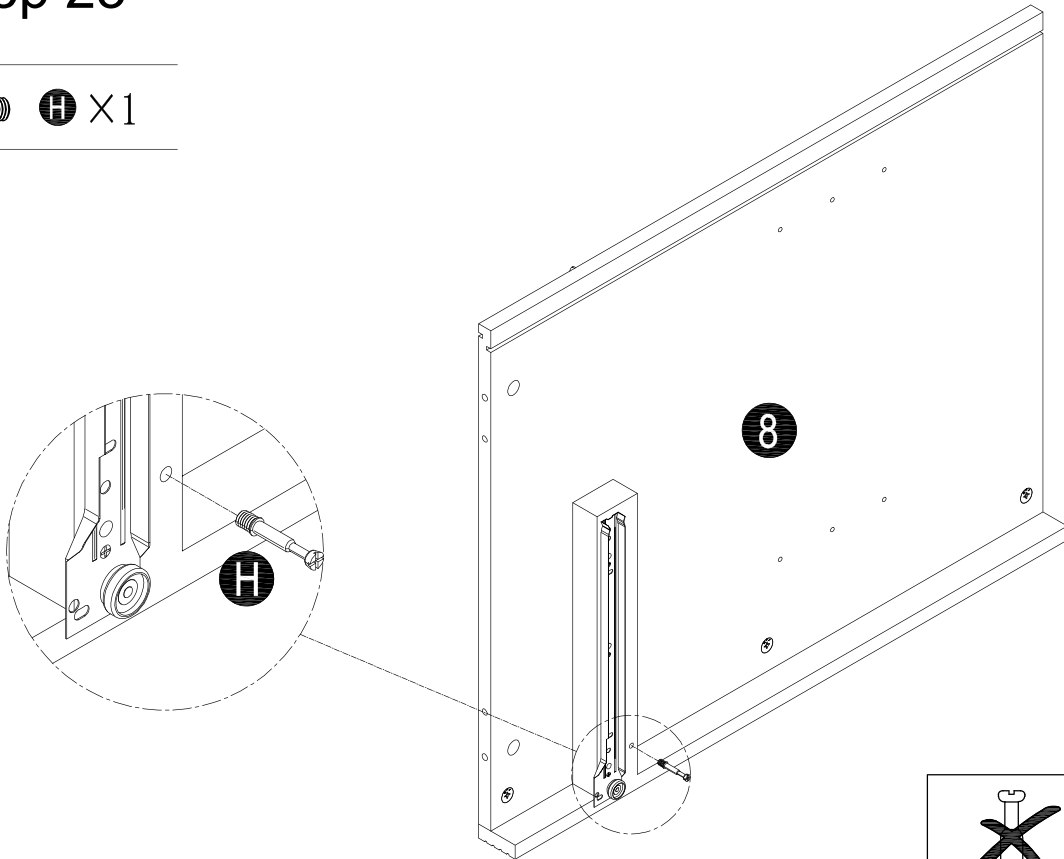
Step 22

  X3

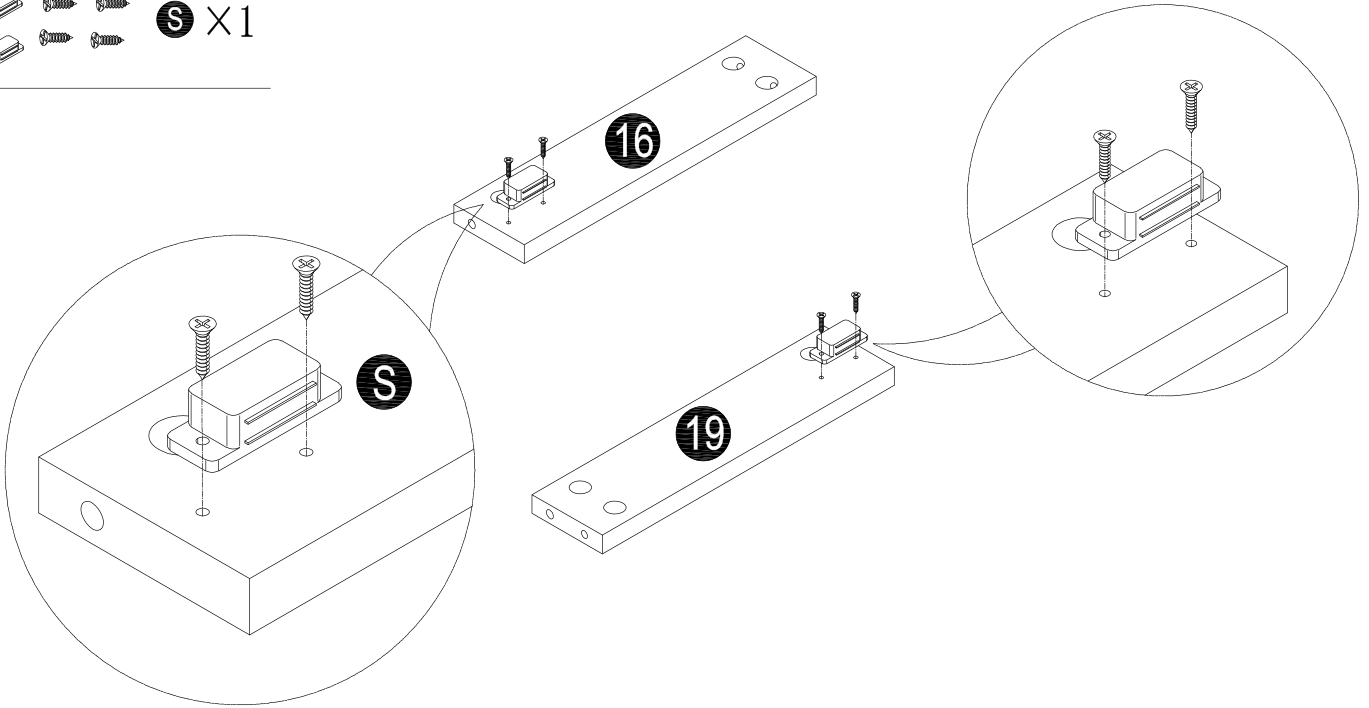
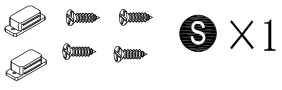


Step 23

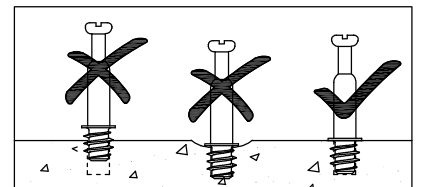
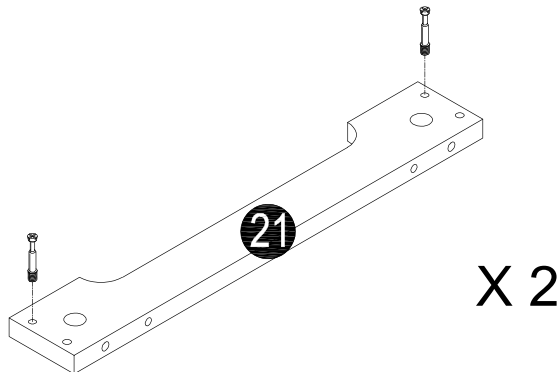
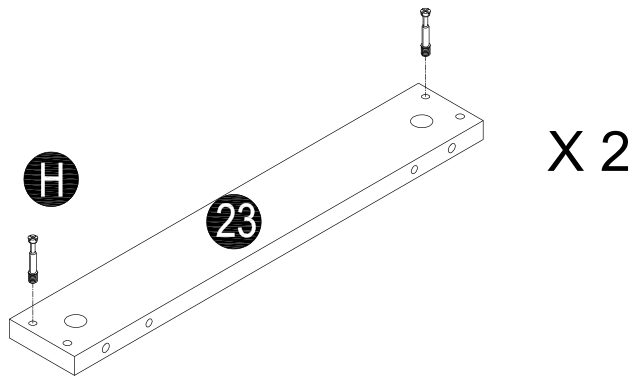
  X1



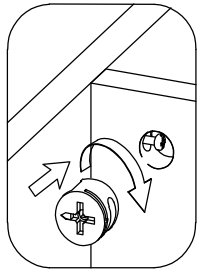
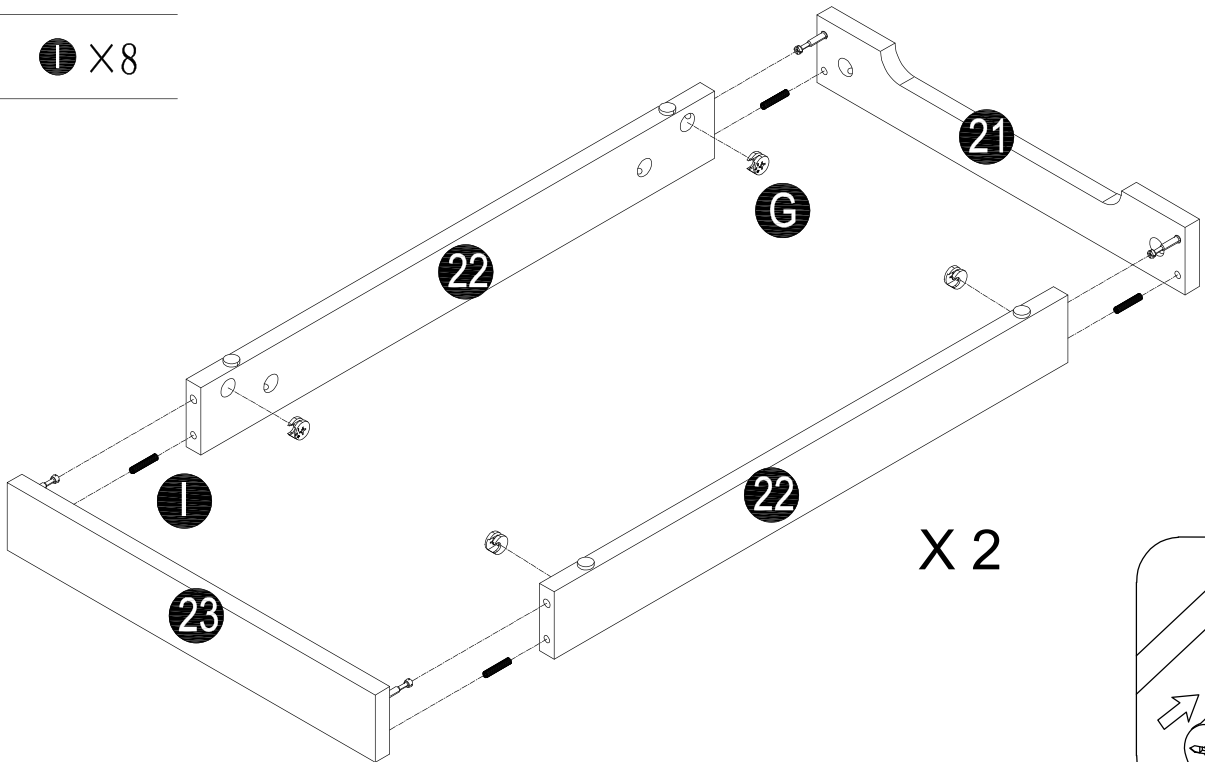
Step 24



Step 25



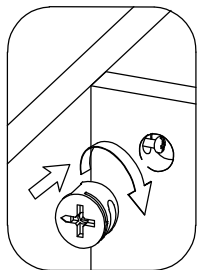
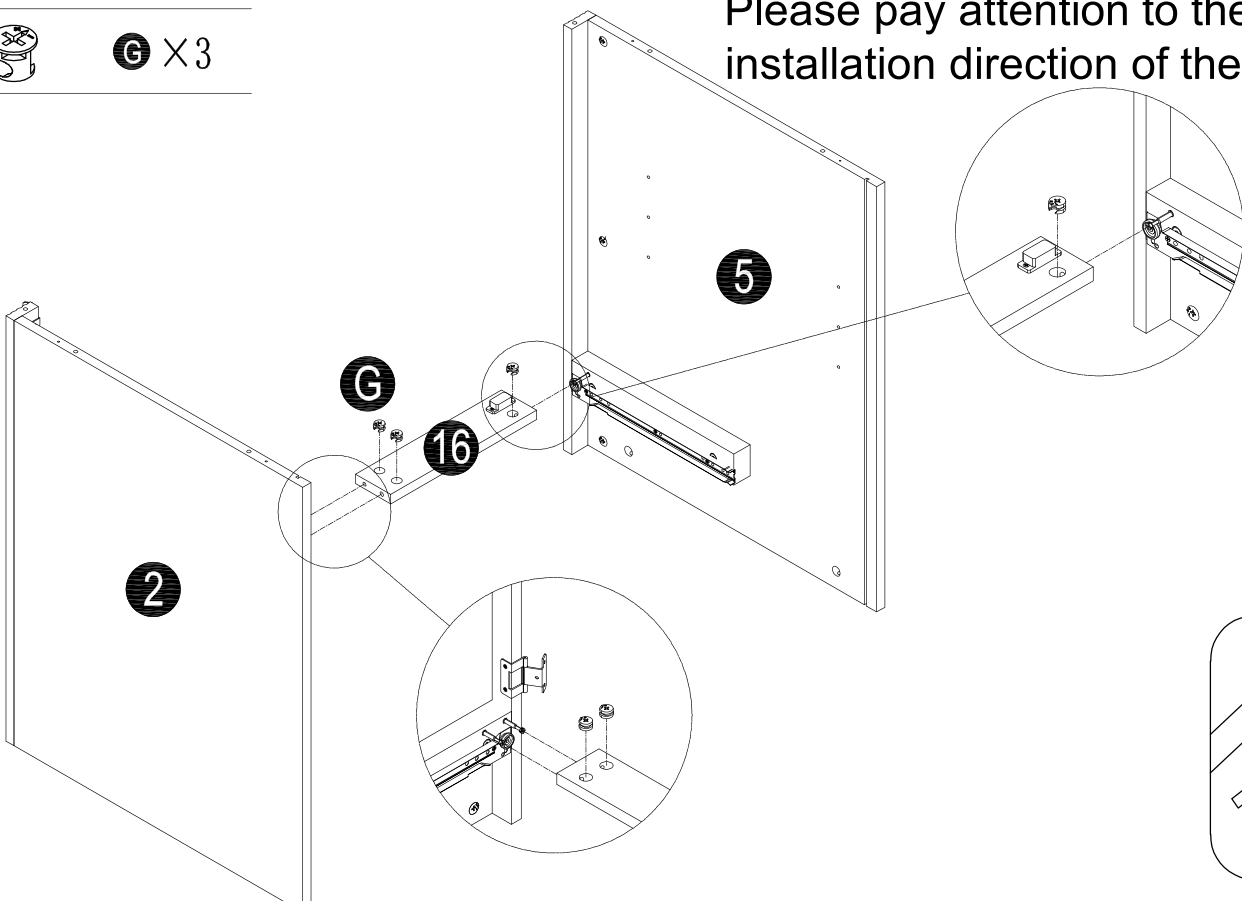
Step 26



Step 27



Please pay attention to the installation direction of the magnet

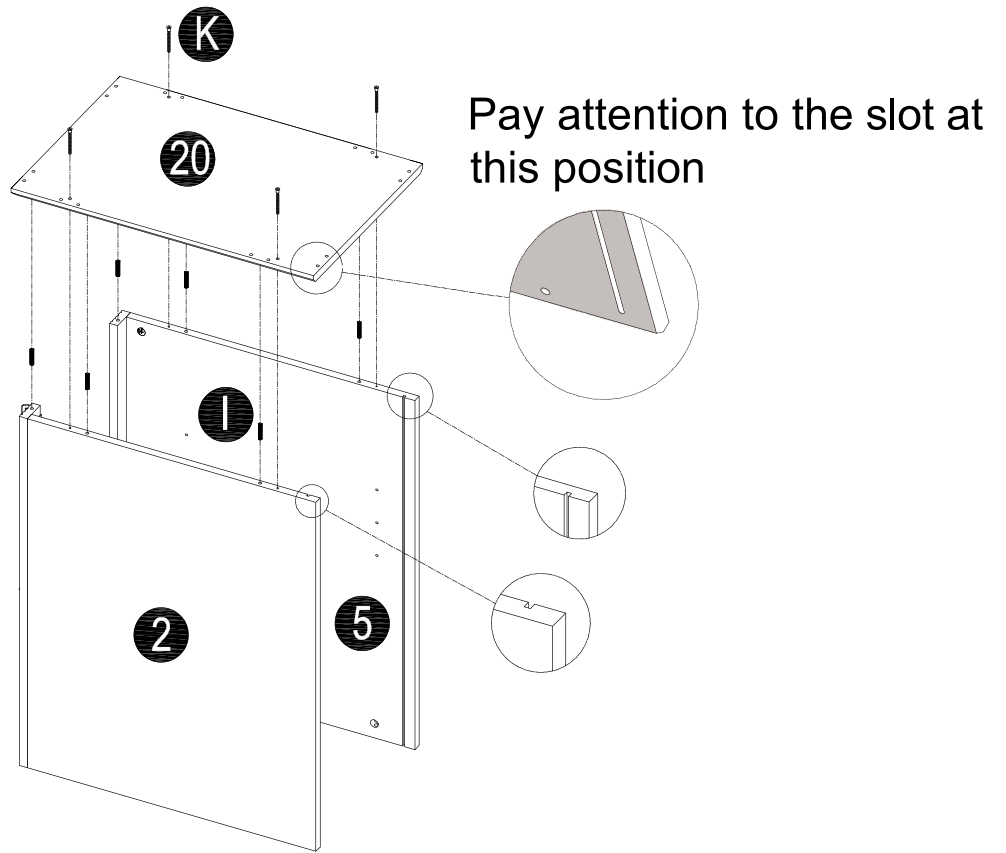


Step 28

Please install it together with two people

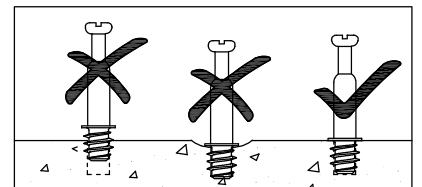
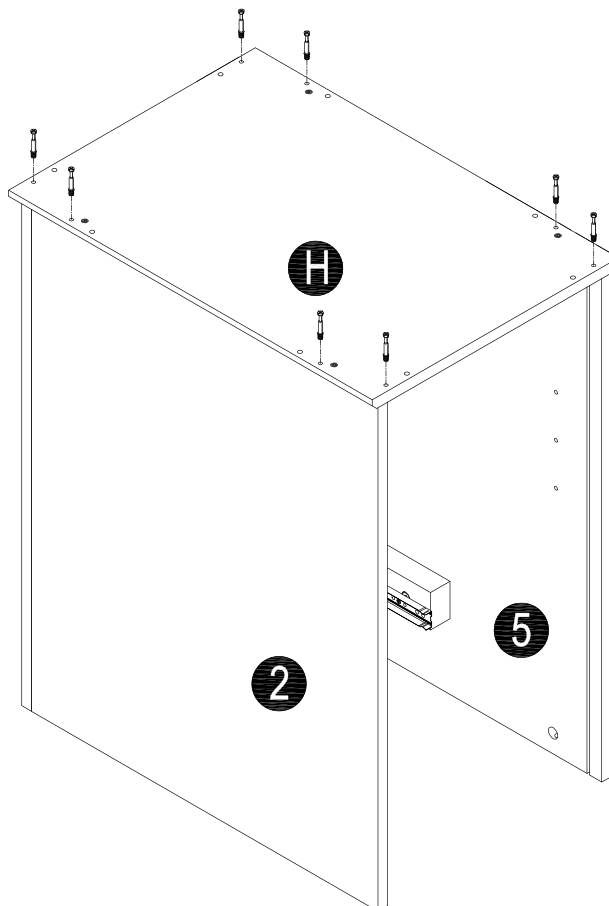
 **K** X4

 **L** X6





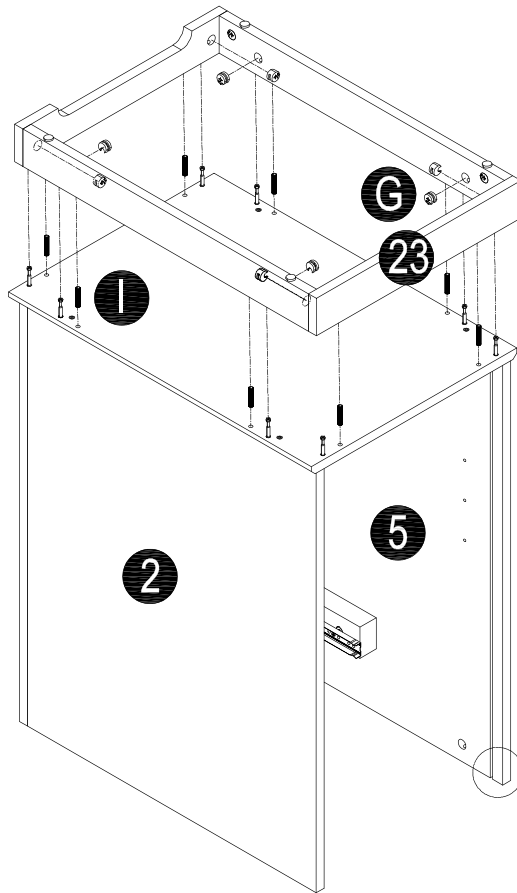
Step 29

 **H** X8



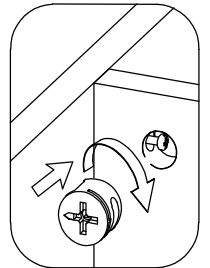
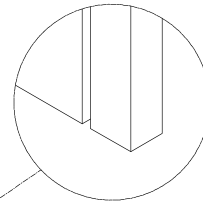
Step 30

-  **G** X 8
-  **L** X 8



Pay attention to the position of accessory 23

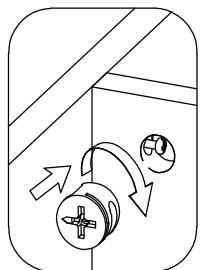
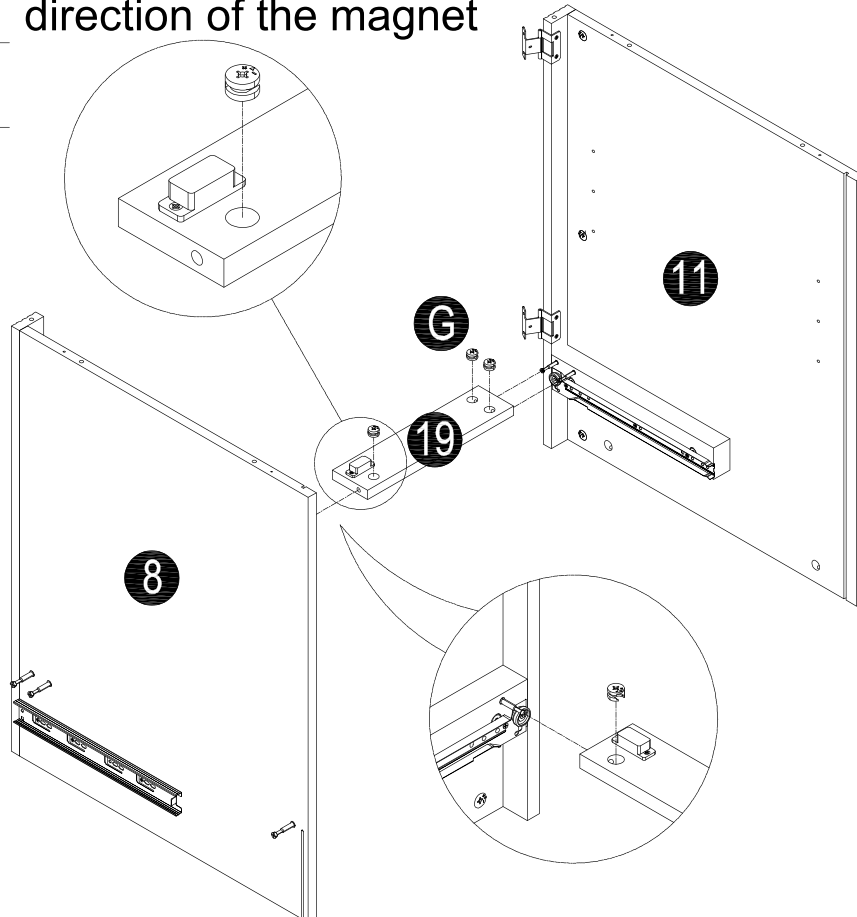
Pay attention to the slot at this position



Step 31



Please pay attention to the installation direction of the magnet

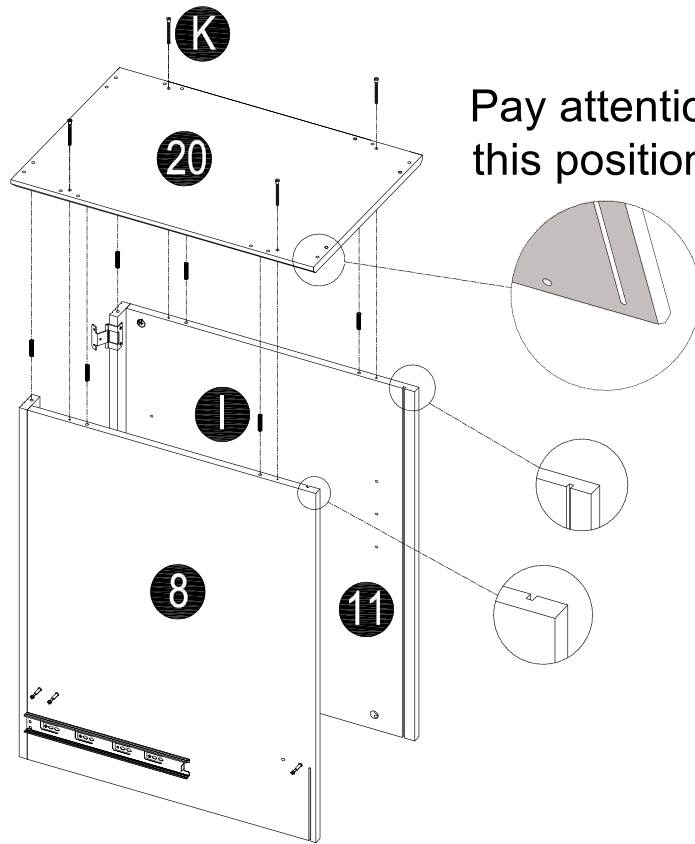
-  **G** X 3



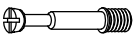
Step 32

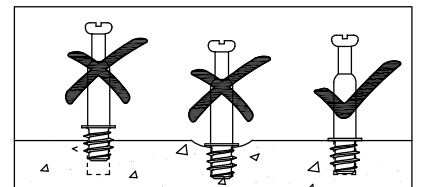
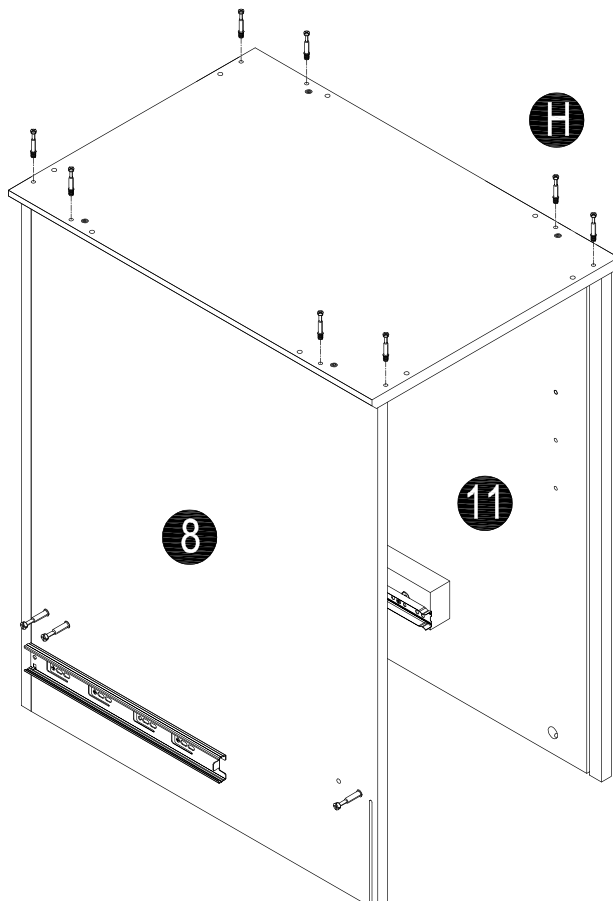
Please install it together with two people

-  **K** × 4
-  **L** × 6





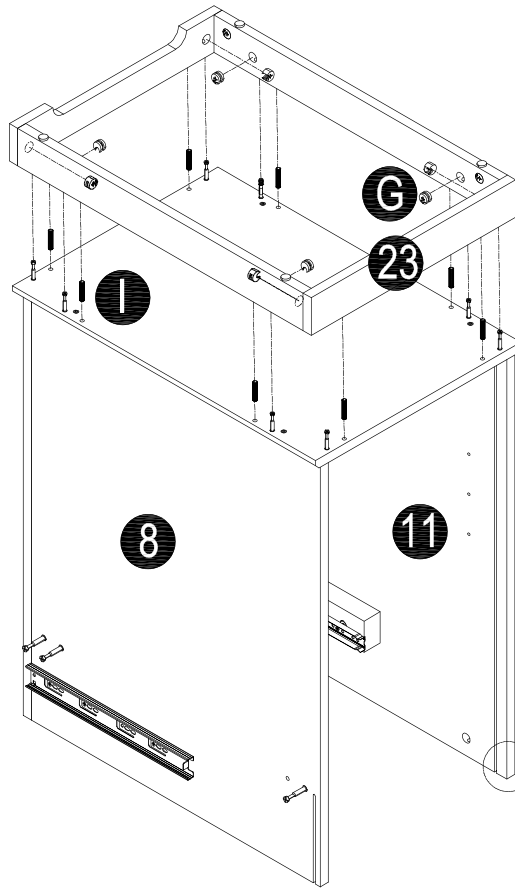
Step 33

-  **H** × 8



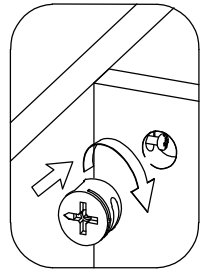
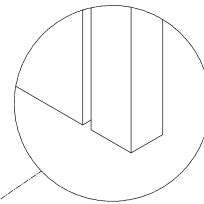
Step 34

-  **G** X8
-  **I** X8





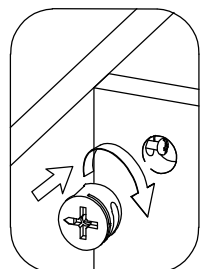
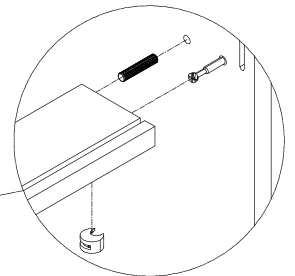
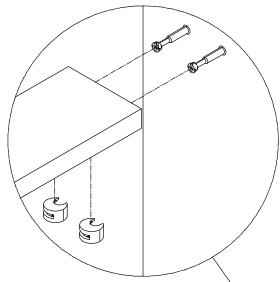
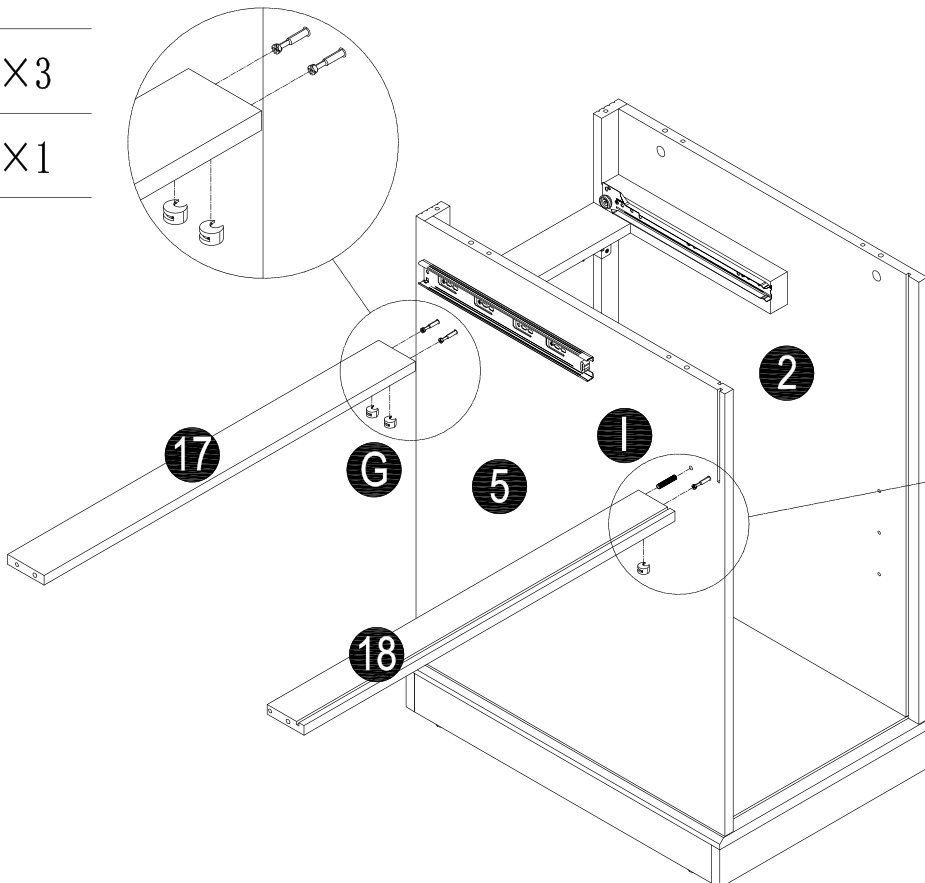
Pay attention to the position of accessory 23

Pay attention to the slot at this position





Step 35

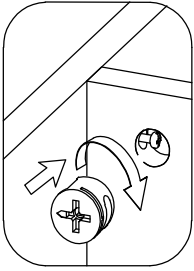
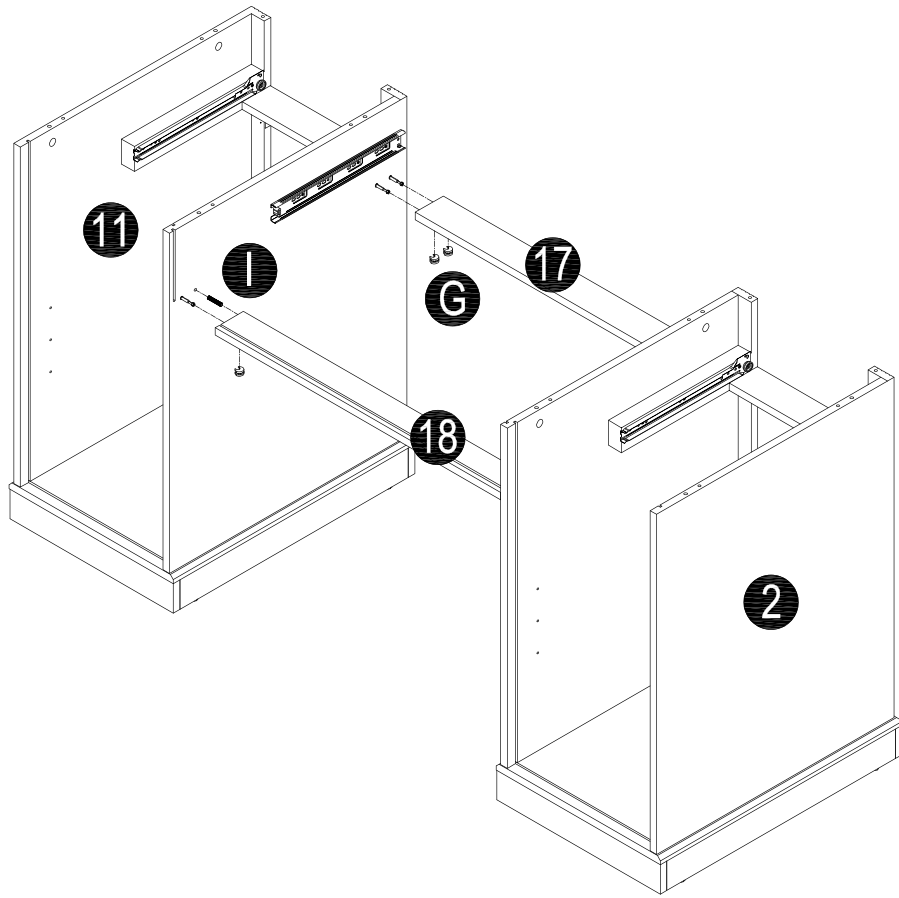
-  **G** X3
-  **I** X1



Step 36

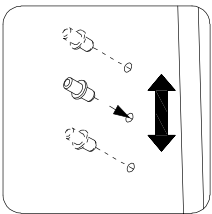
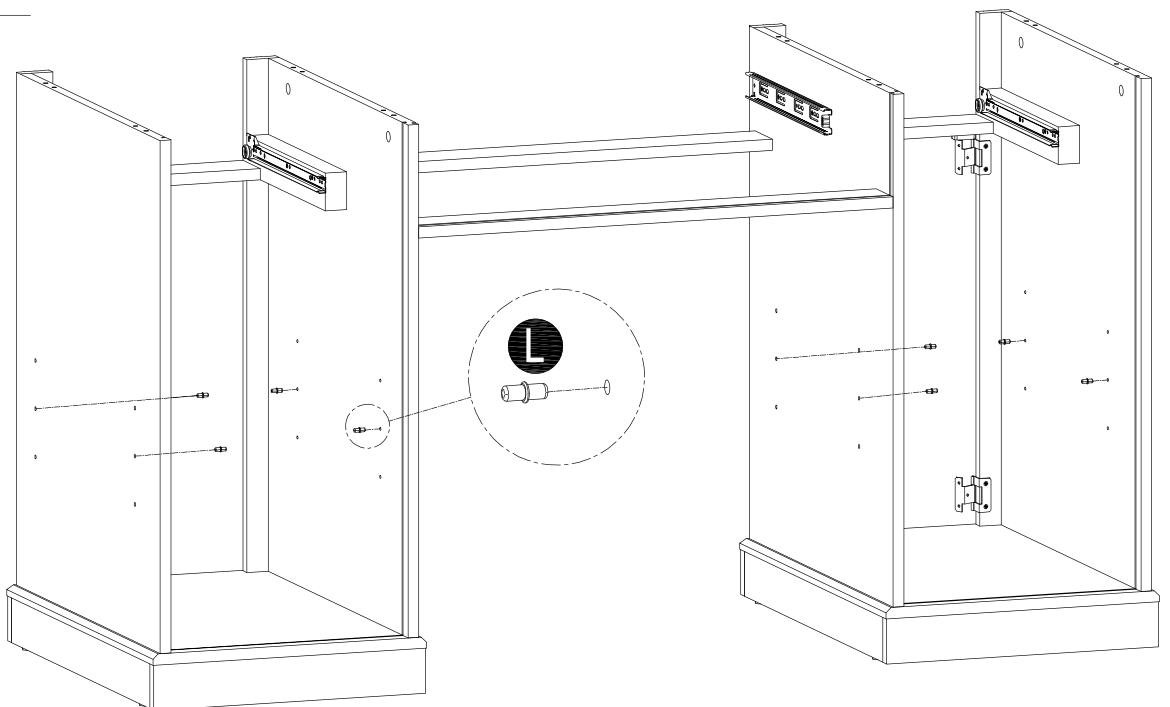
Please install it together with two people

-  **G** X3
-  **L** X1



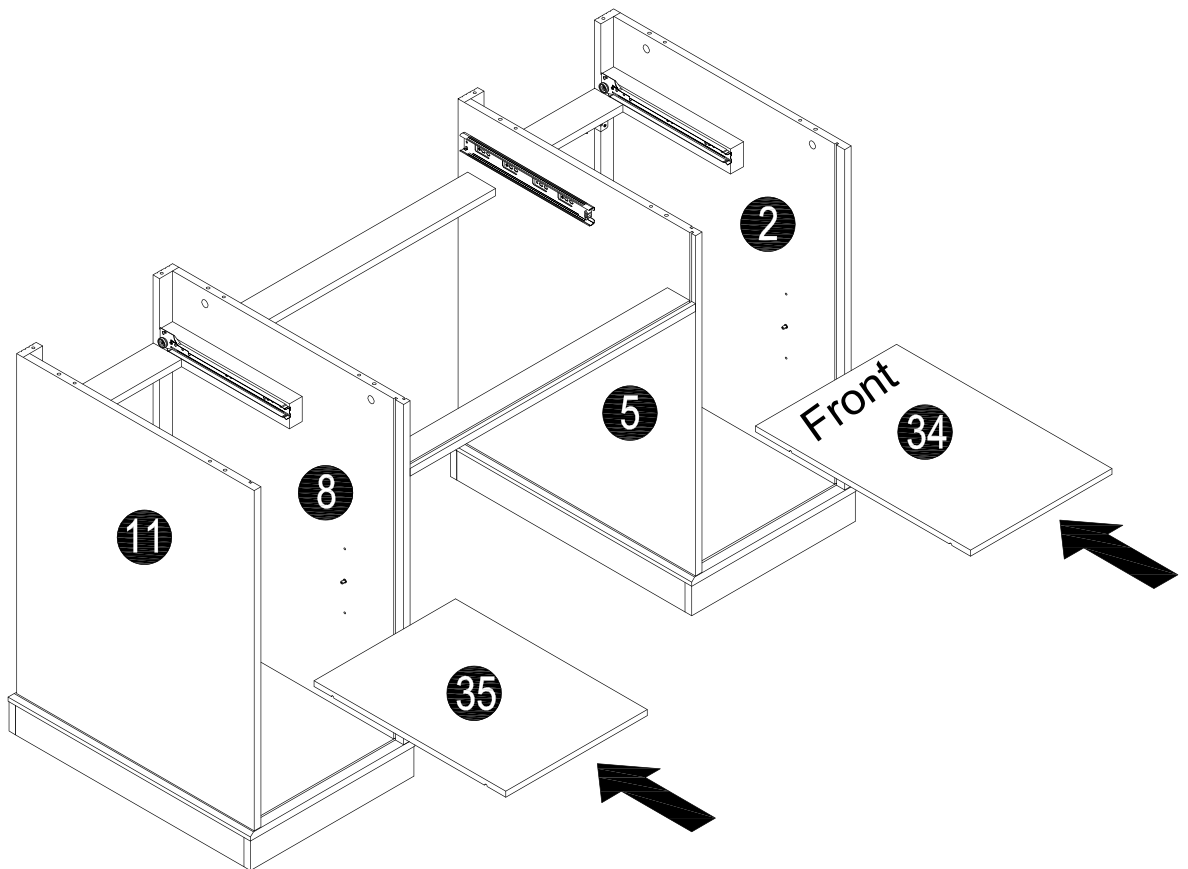
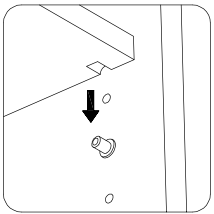
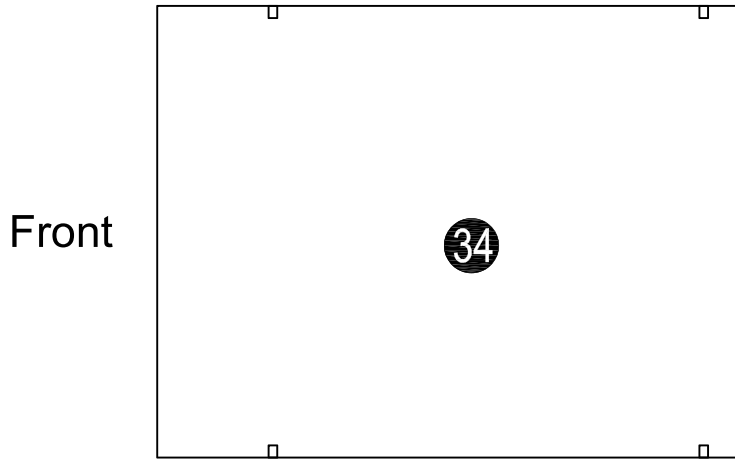
Step 37

-  **L** X8

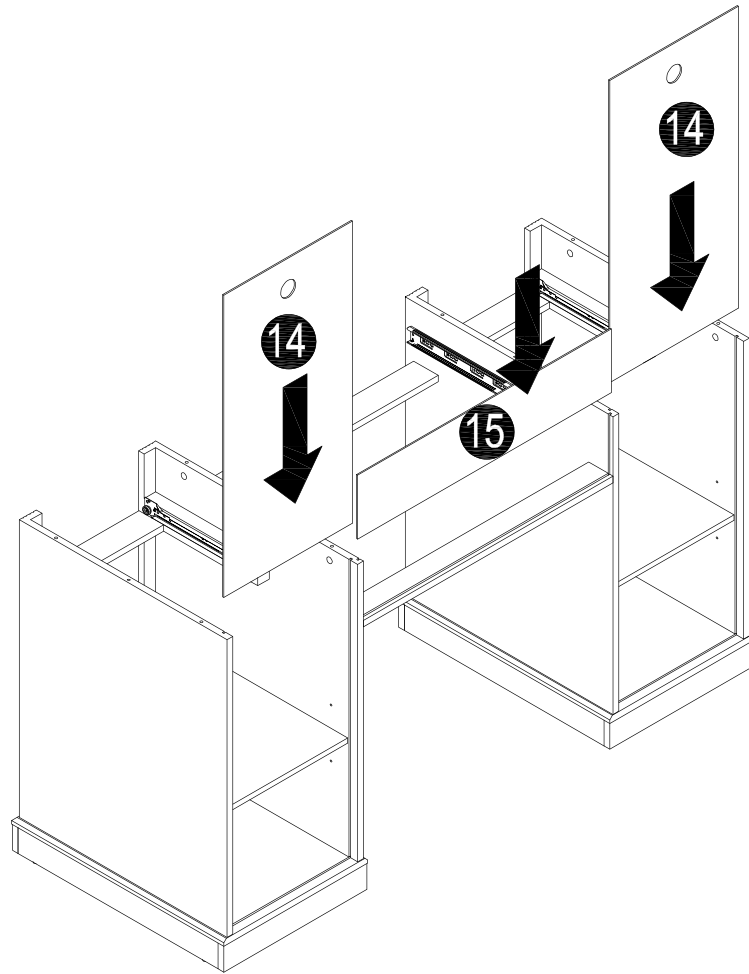


Step 38

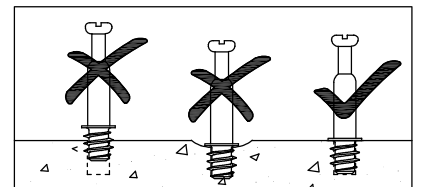
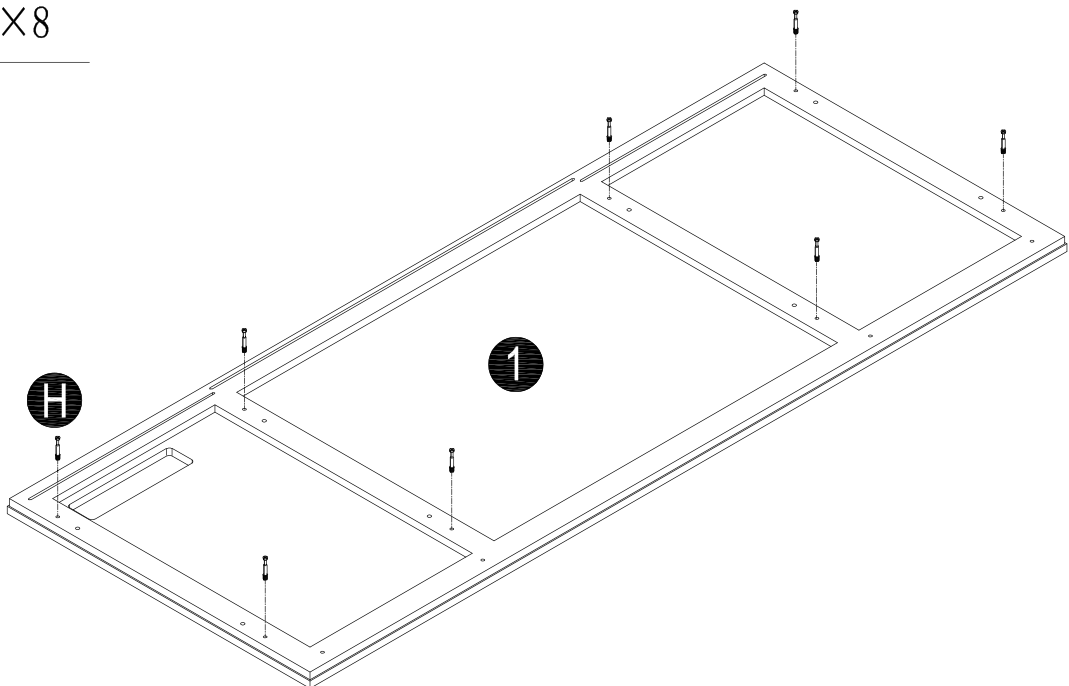
Pay attention to the direction of accessory 34



Step 39



Step 40

 **H** X8

Step 41

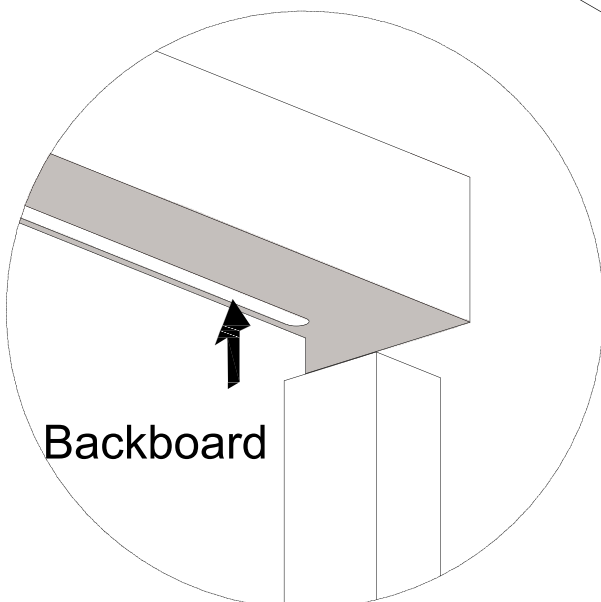
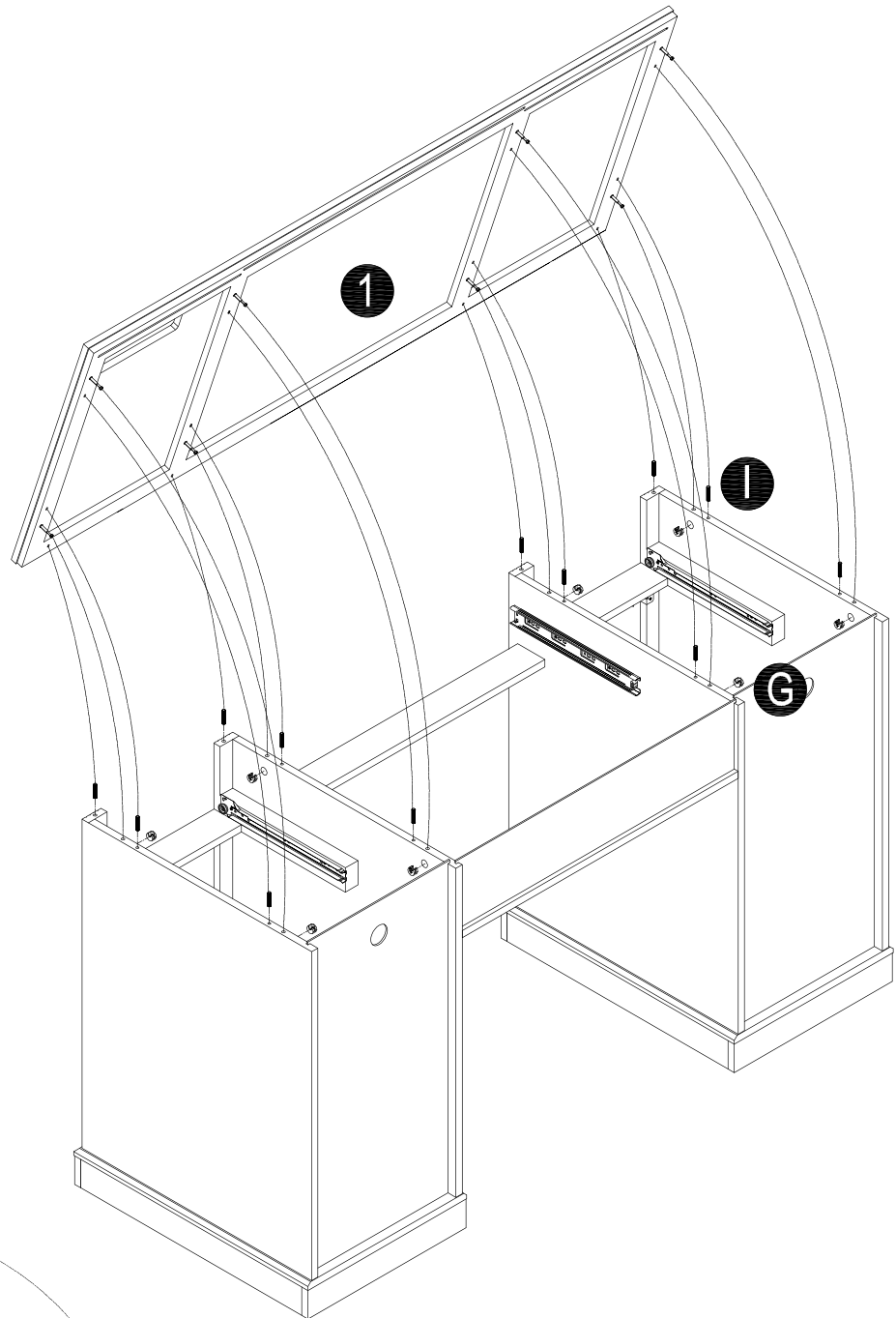


G X 8

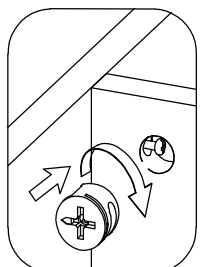


I X 12

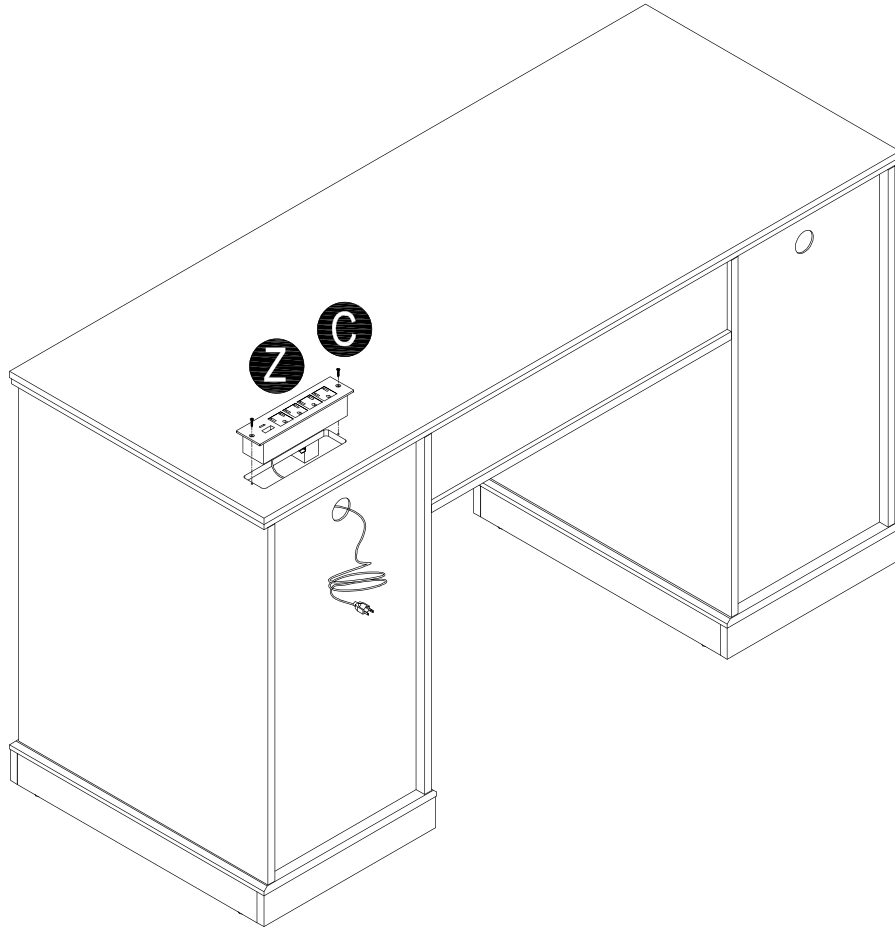
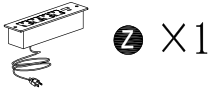
Please install it together with two people



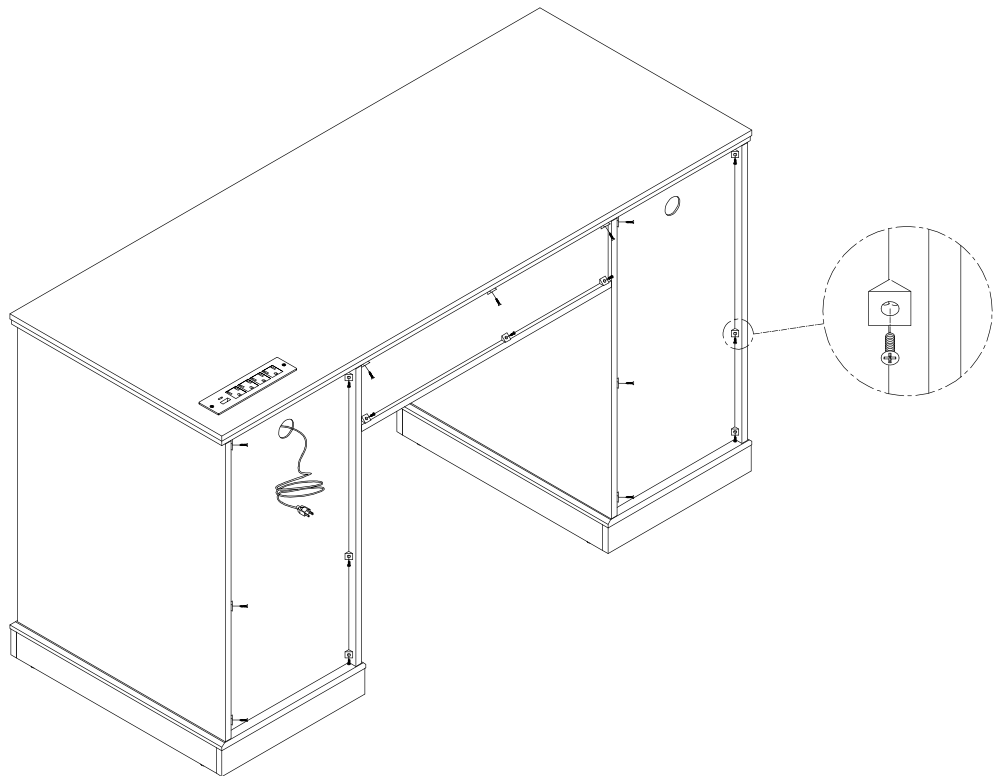
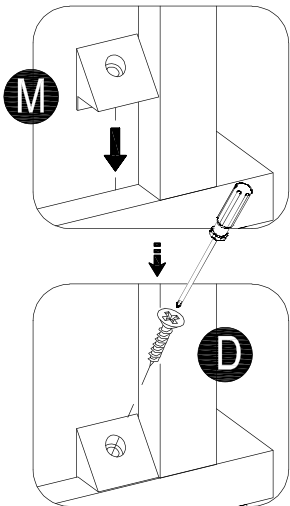
Please insert the backboard into the slot of component 1



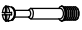

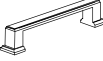

Step 42

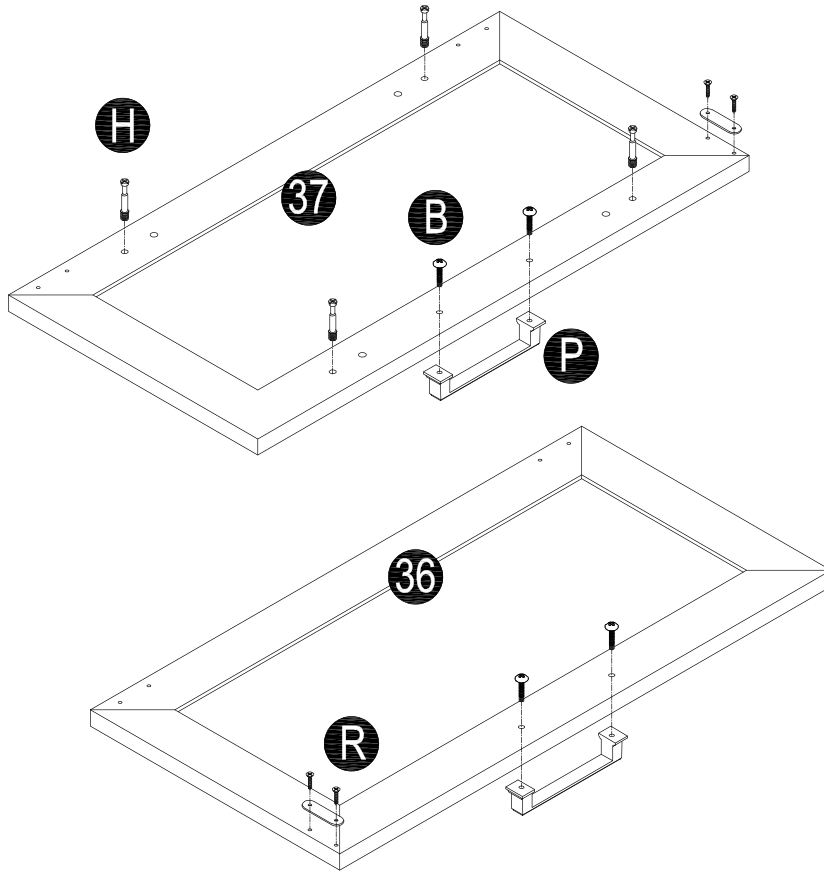


Step 43



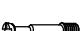


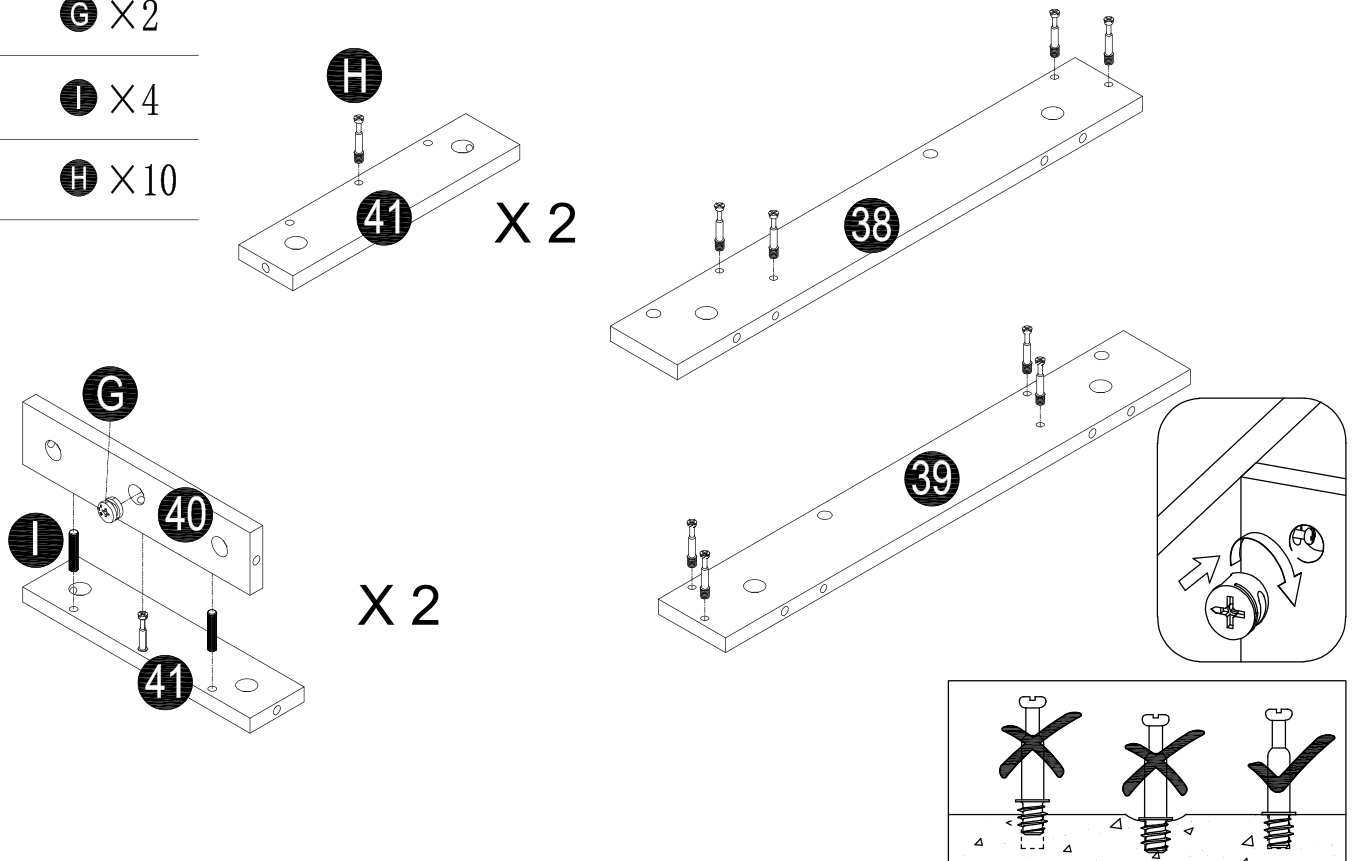
Step 44

-  **H** × 4
-  **B** × 4
-  **P** × 2
-  **R** × 1



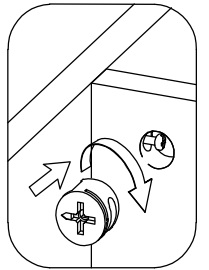
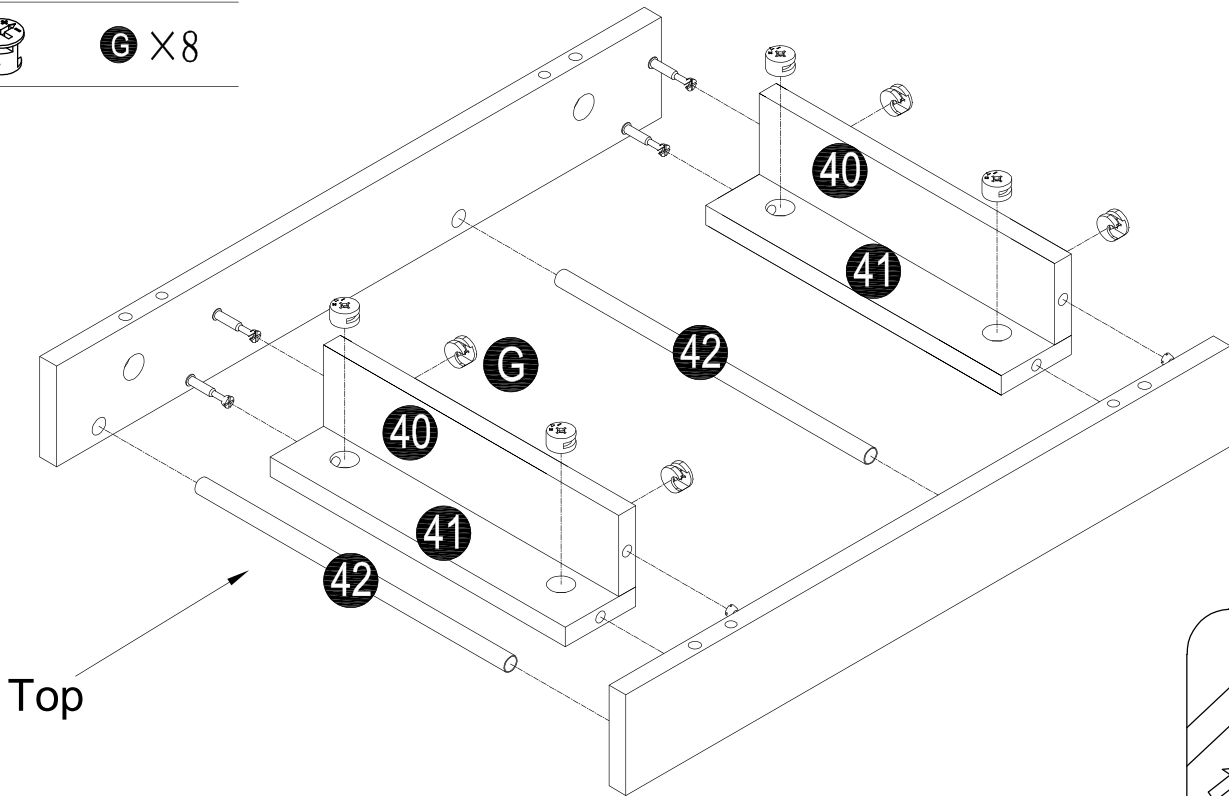
Step 45

-  **G** × 2
-  **I** × 4
-  **H** × 10



Step 46

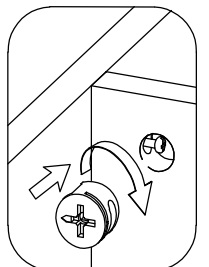
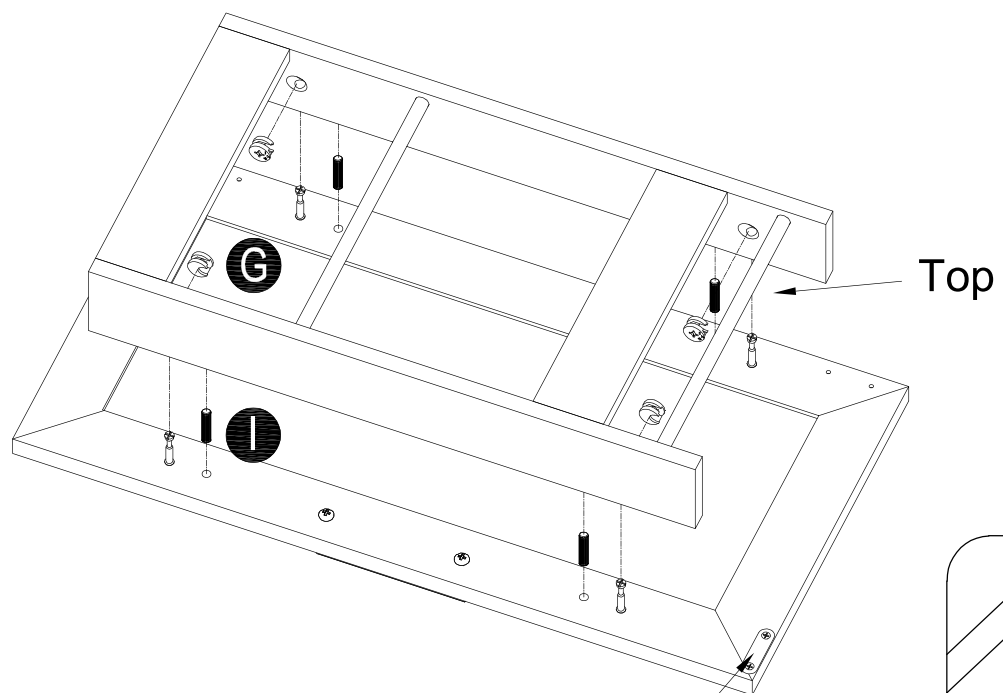
 **G** X 8



Step 47

 **I** X 4

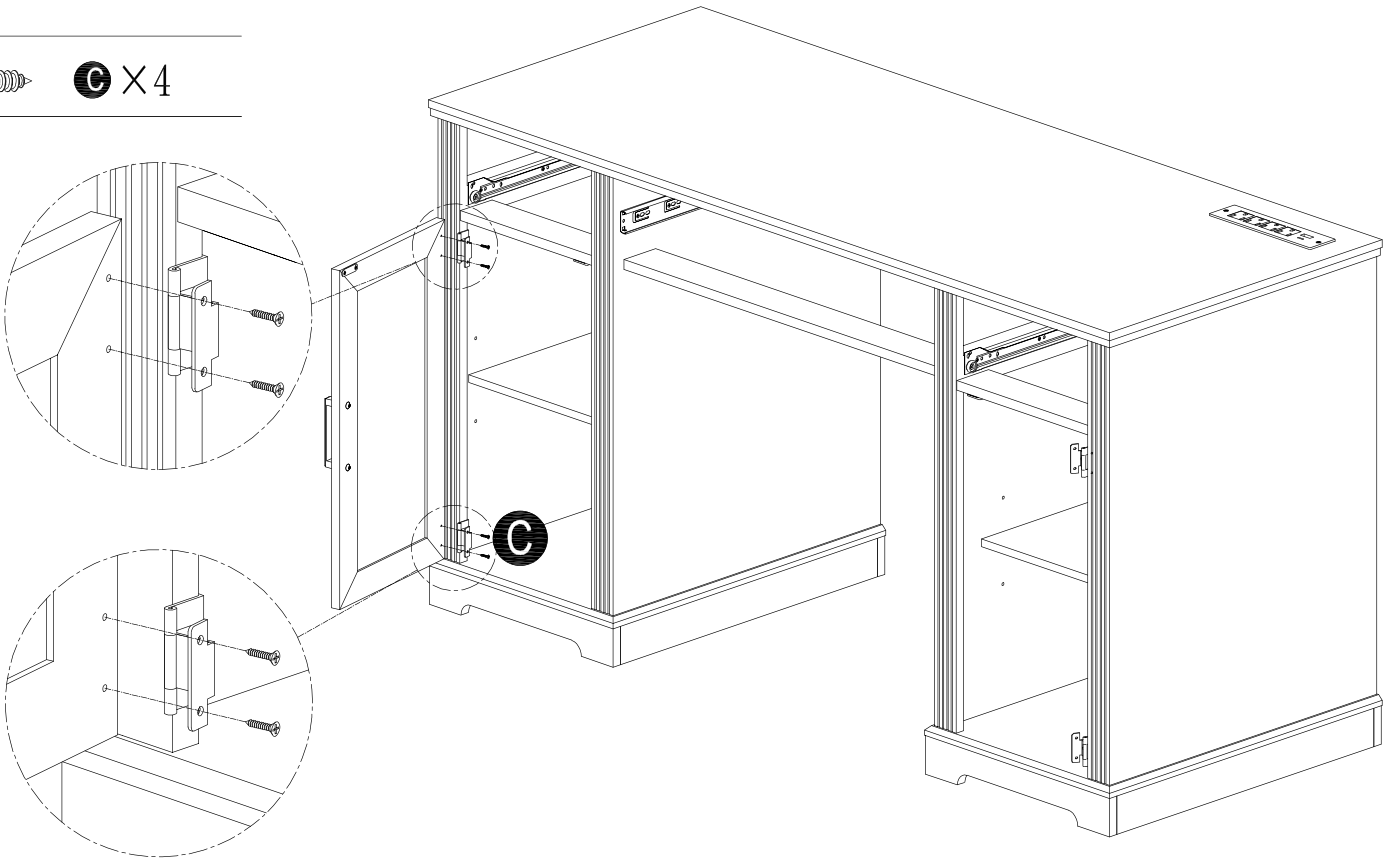
 **G** X 4



Install the top on one side of 50

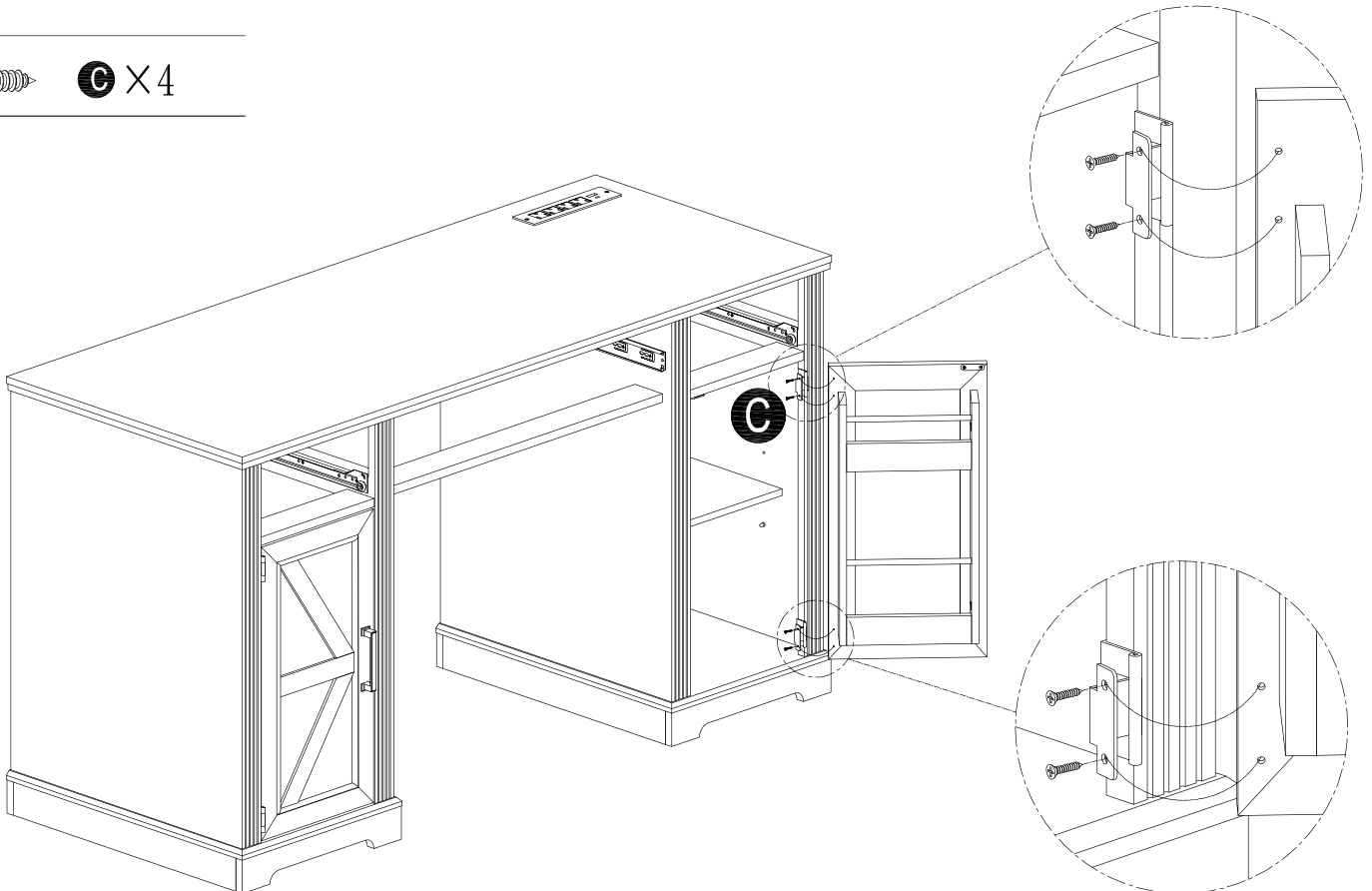
Step 48

 **C** X4



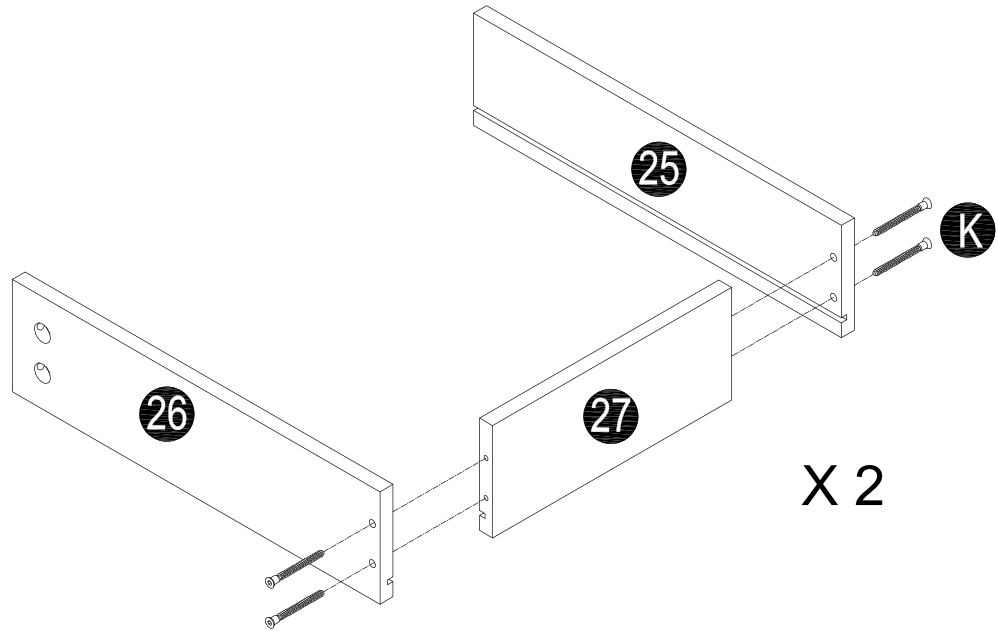
Step 49

 **C** X4

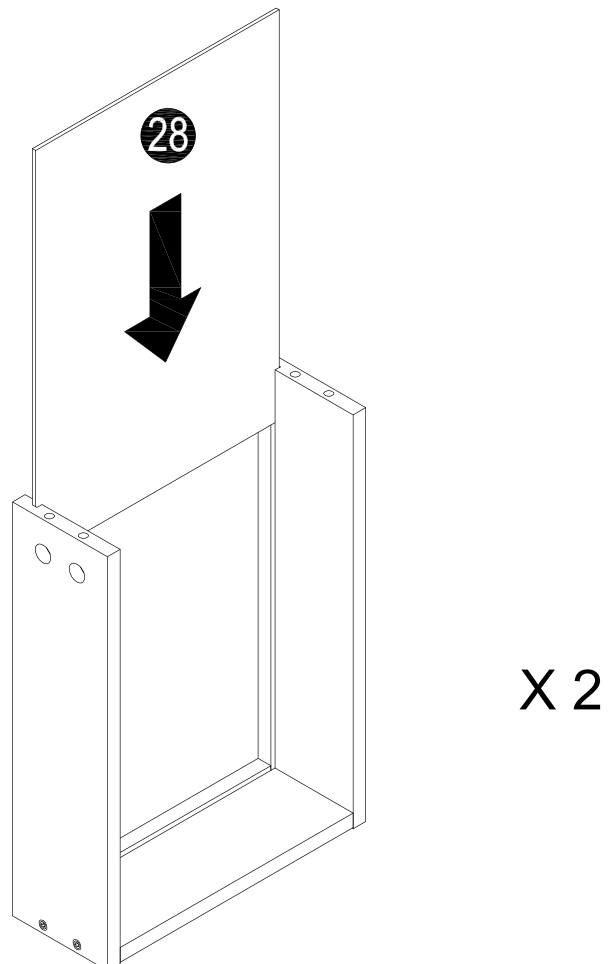


Step 50

 **K** X 8



Step 51

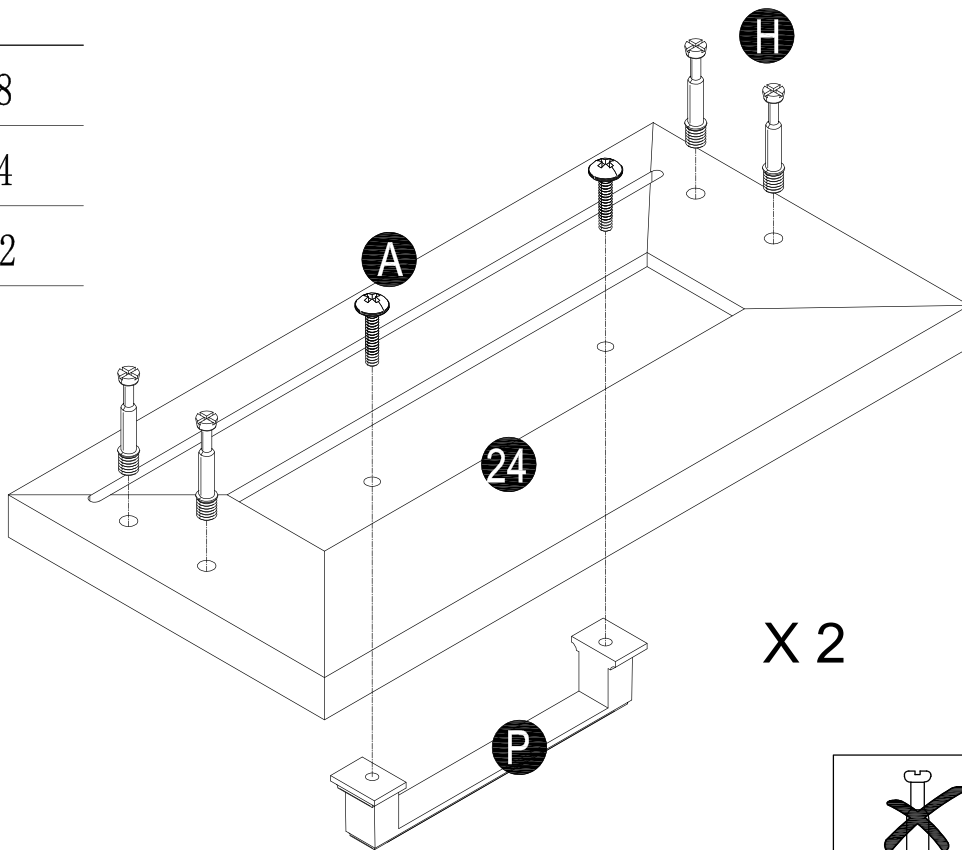


Step 52

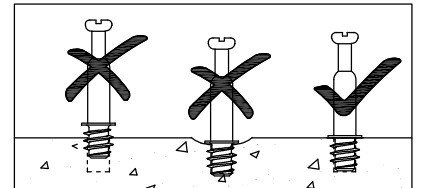
 **H** X 8

 **A** X 4

 **P** X 2

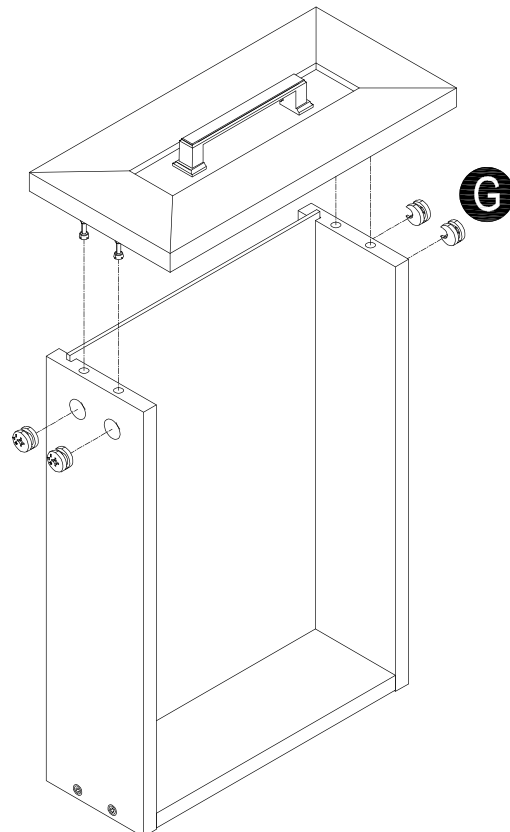


X 2

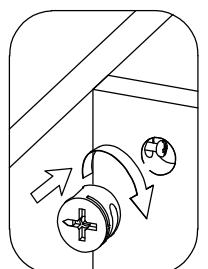


Step 53

 **G** X 8



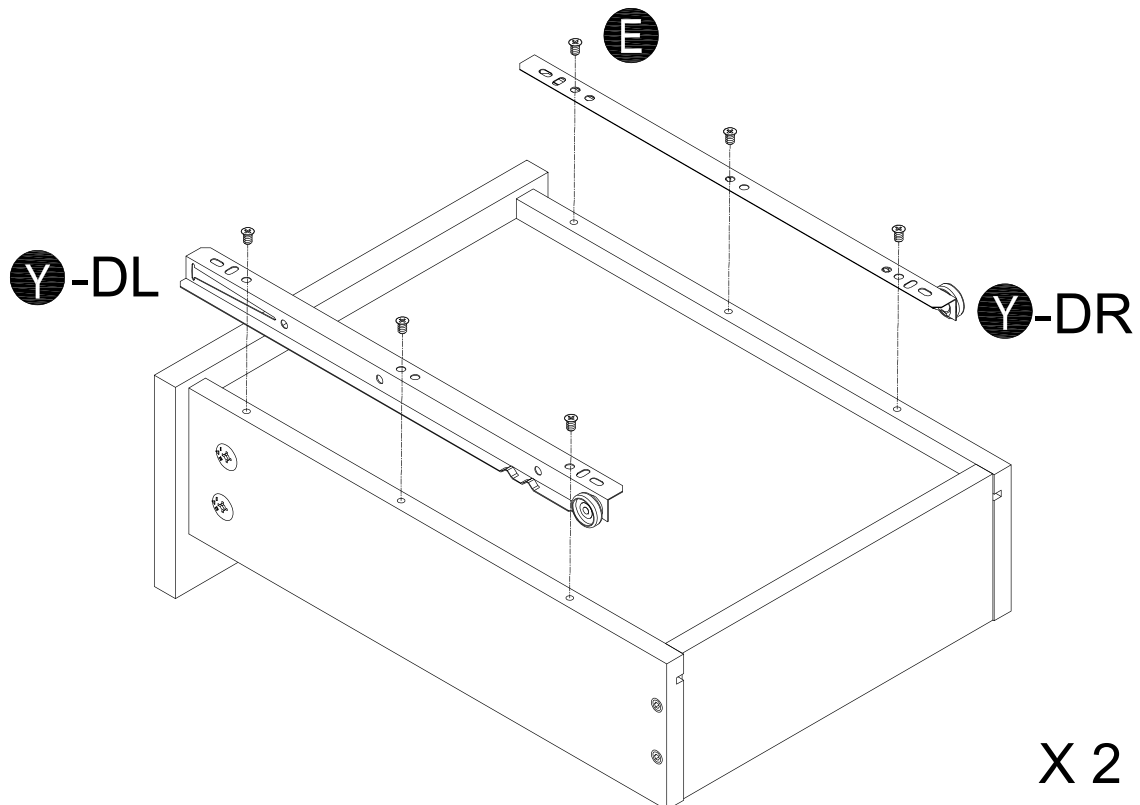
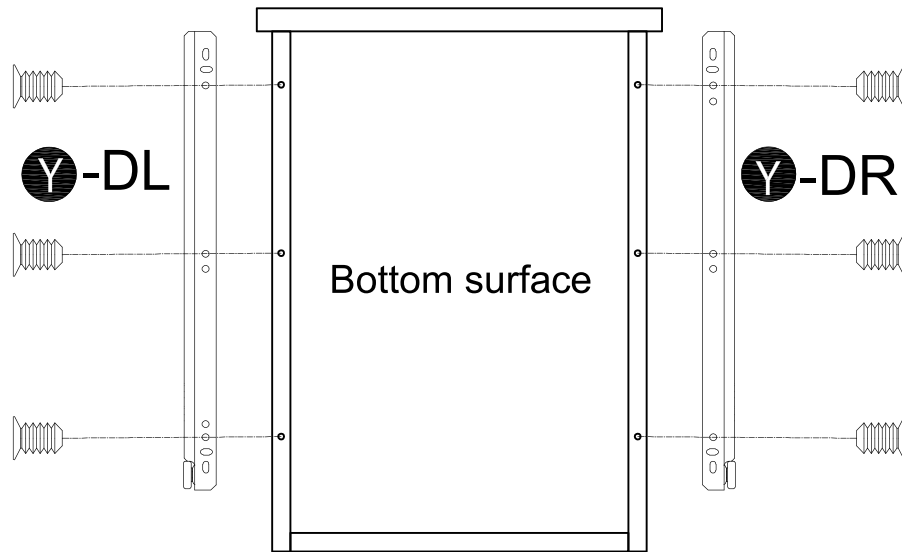
X 2



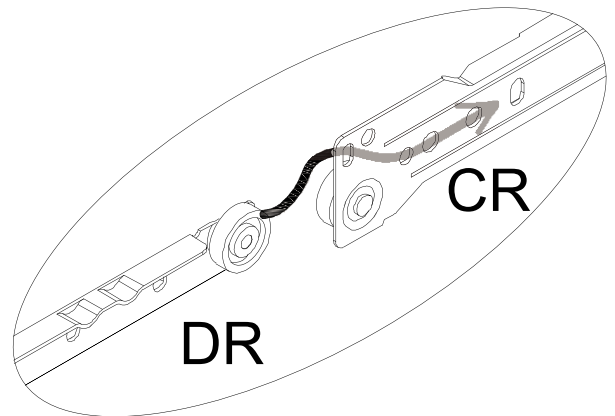
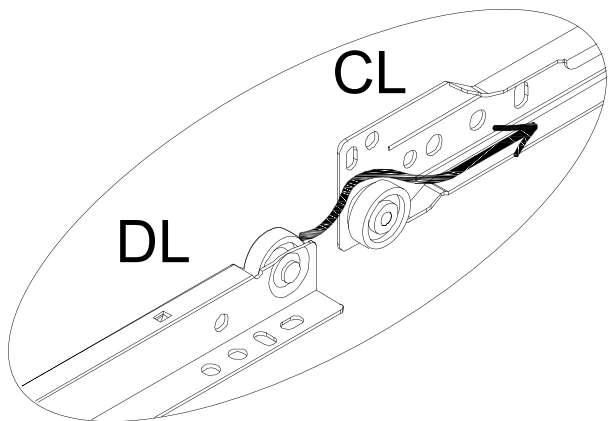
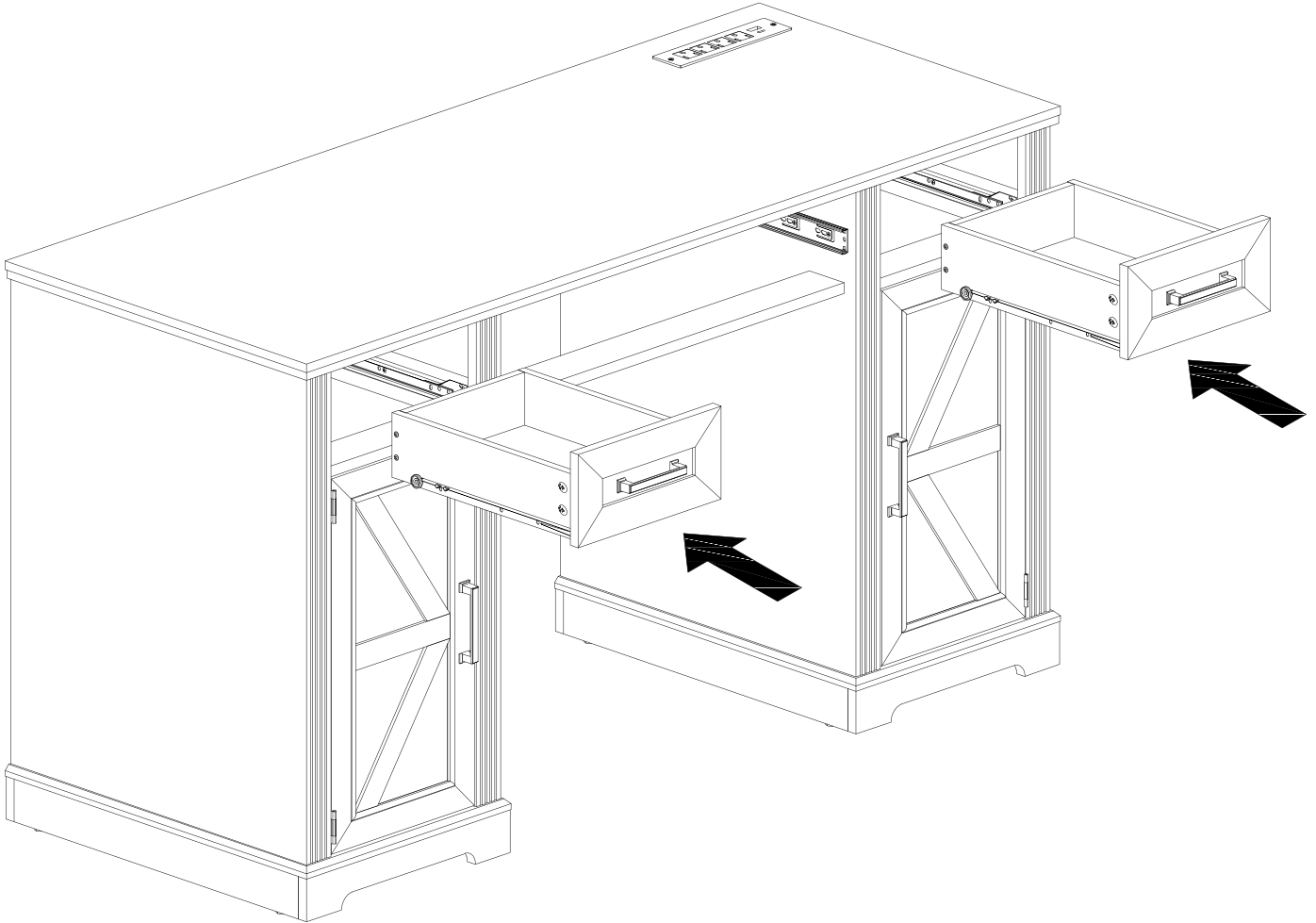
Step 54

 **Y-DR** X2 **Y-DL** X2 **E** X12

Important reminder: Please assemble the E screw according to the hole indicated by the arrow

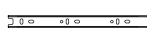

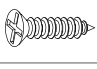



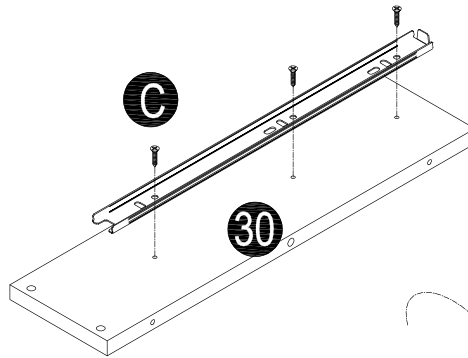
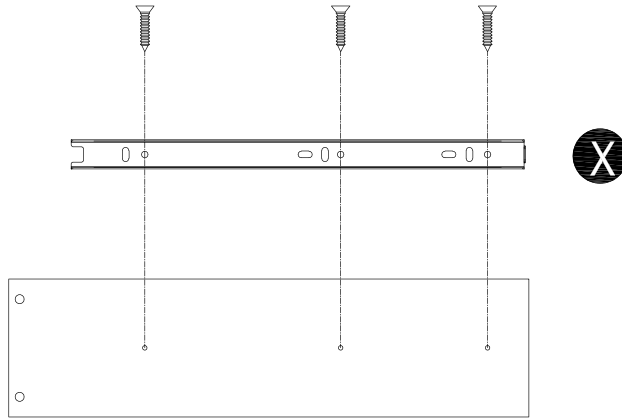
Step 55



Step 56

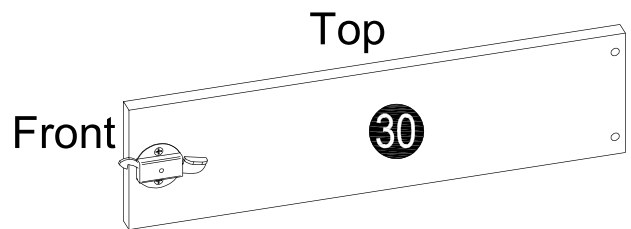
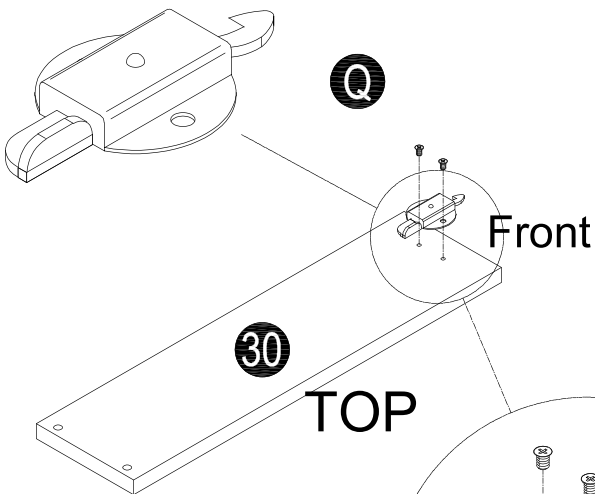
Important reminder: Please assemble the C screw according to the hole indicated by the arrow

-  **X** -2 X 1
-  **Q** -1 X 1
-  **C** X 3
-  **E** X 2

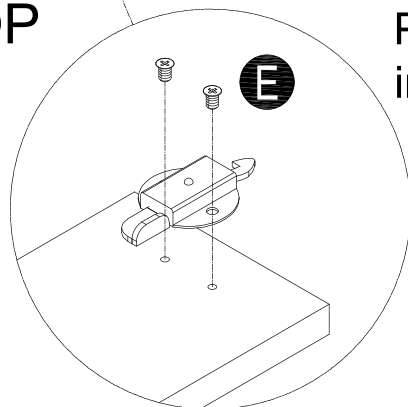


Pay attention to using the correct accessories

Flip 180 °

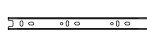





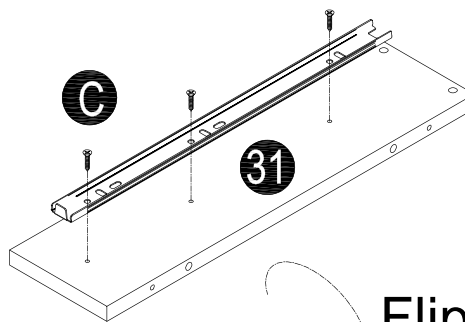
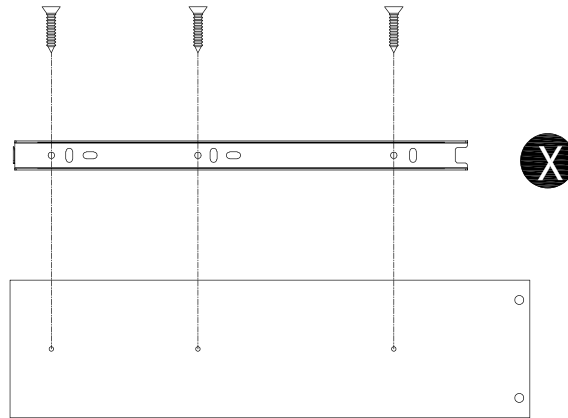
Please install the accessories in the correct direction



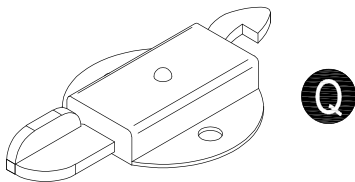
Step 57

Important reminder: Please assemble the C screw according to the hole indicated by the arrow

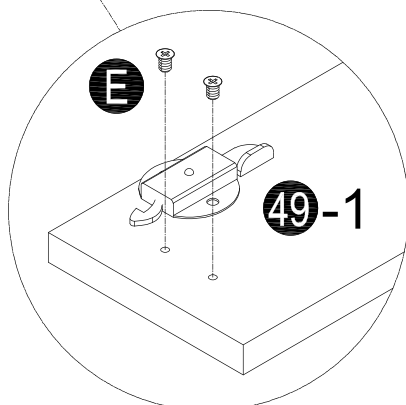
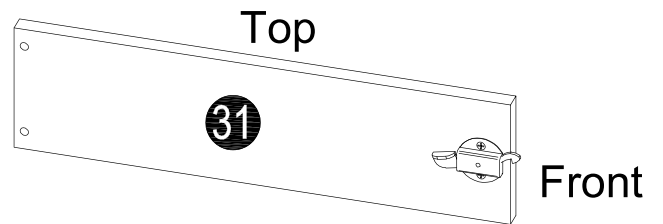
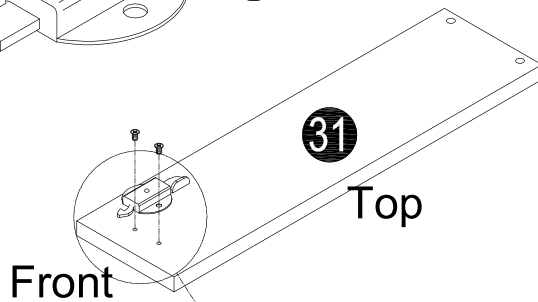
-  **X** -2 X 1
-  **Q** -2 X 1
-  **C** X 3
-  **E** X 2



Pay attention to using the correct accessories



Flip 180 °

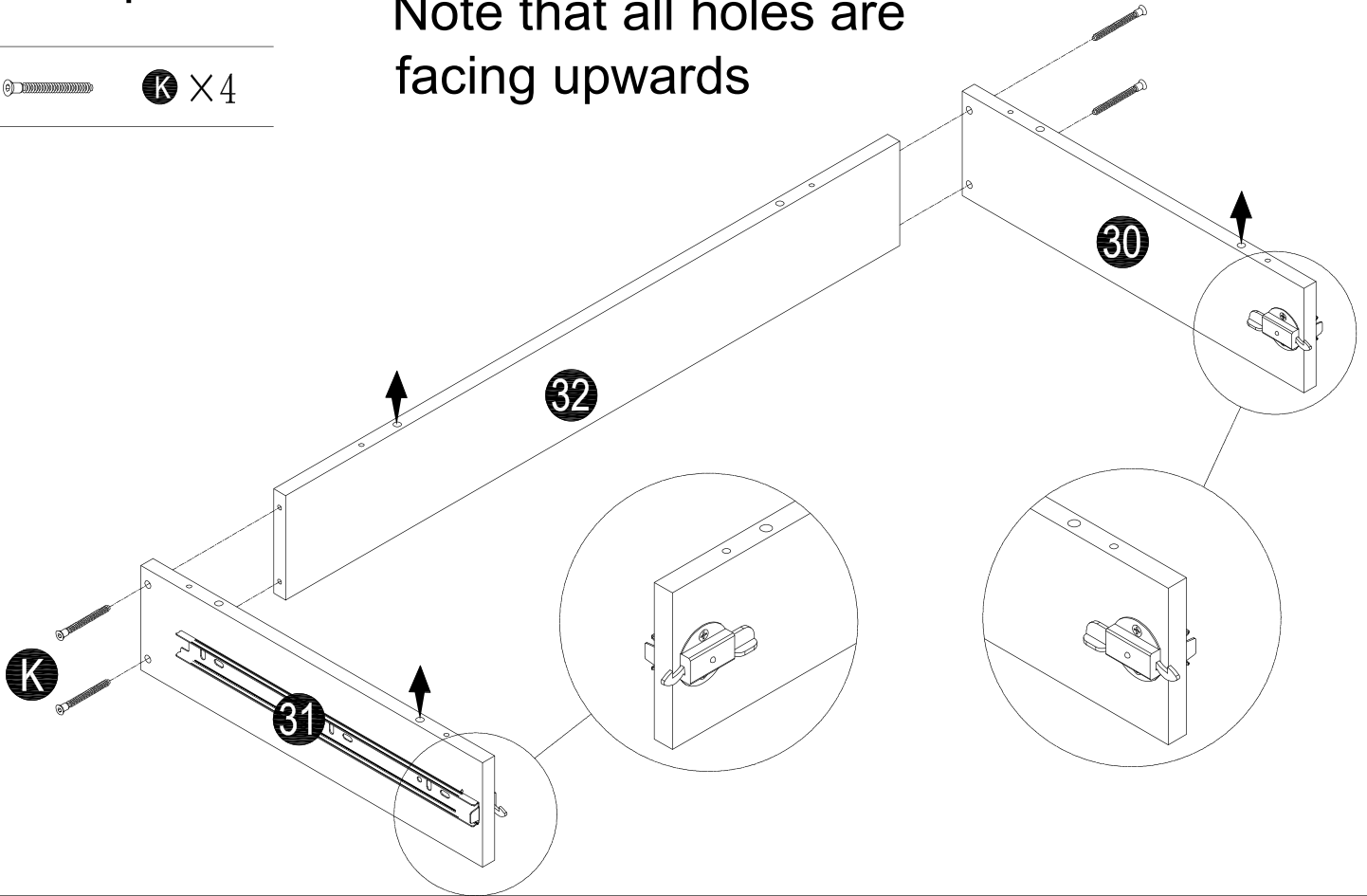


Please install the accessories in the correct direction

Step 58

Note that all holes are facing upwards

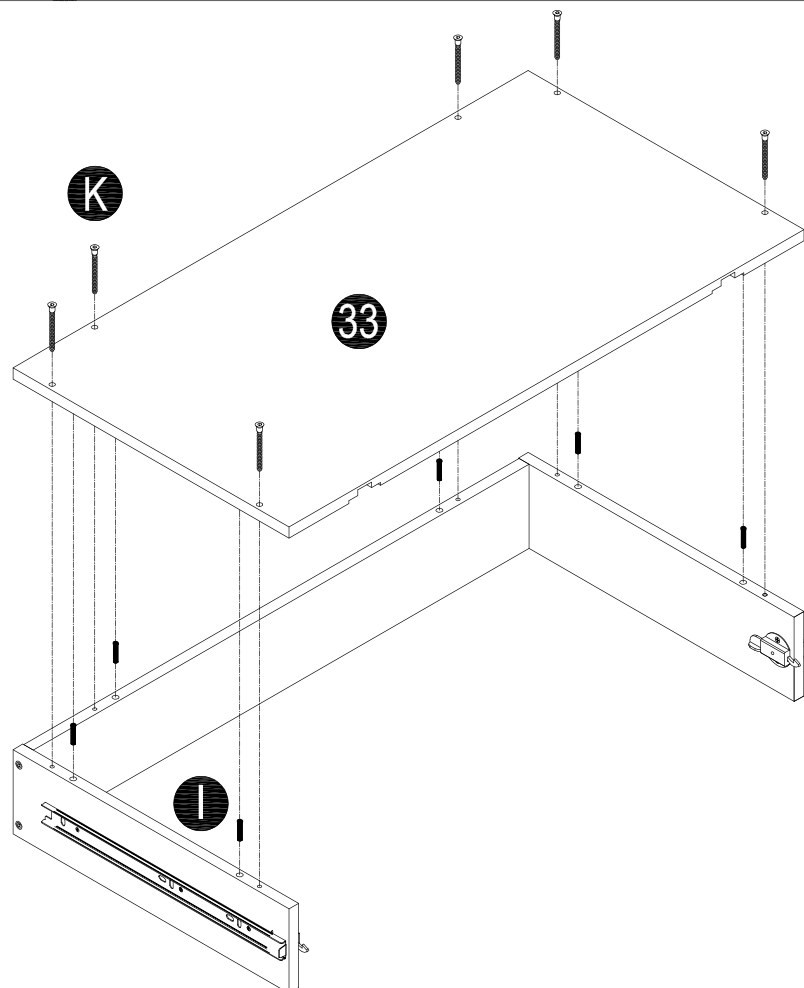
 **K** X4



Step 59

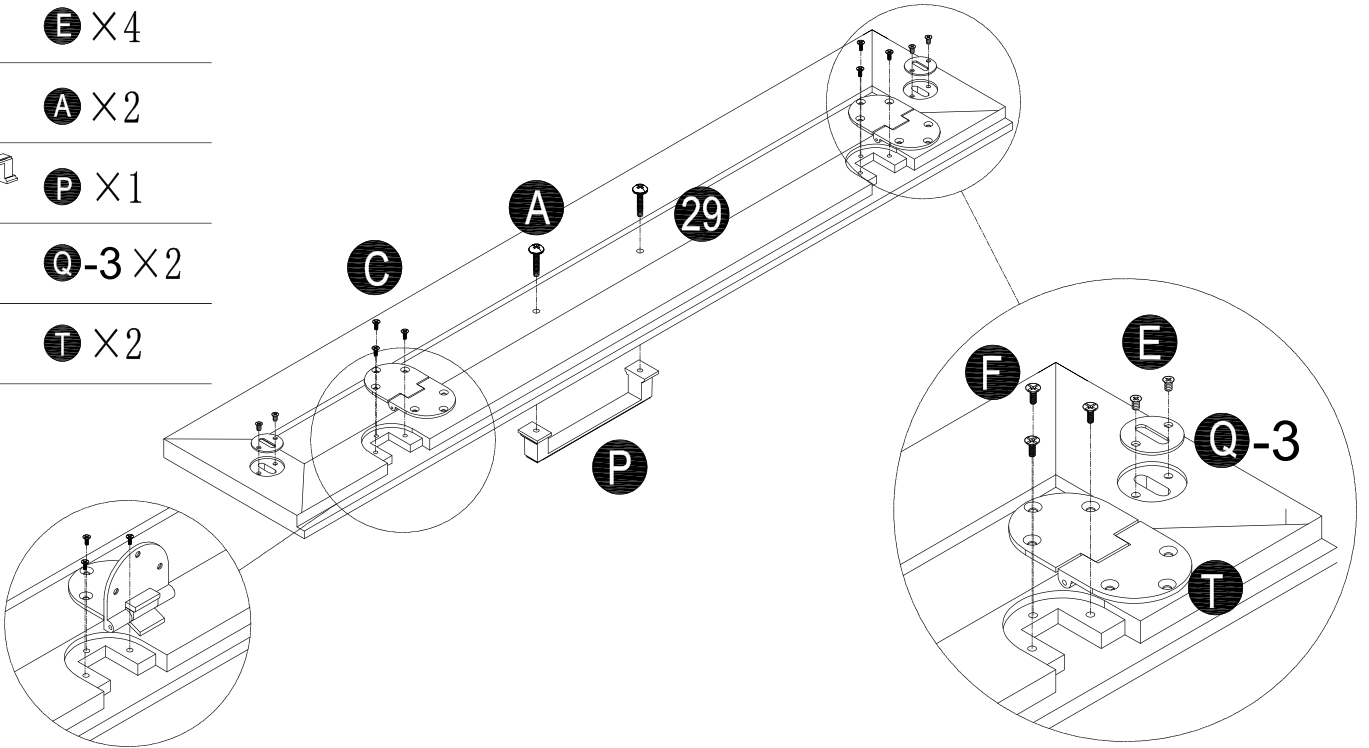
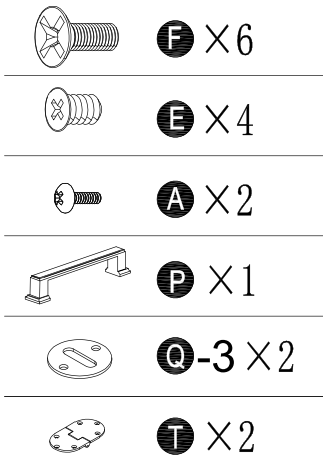
 **K** X6

 **L** X6



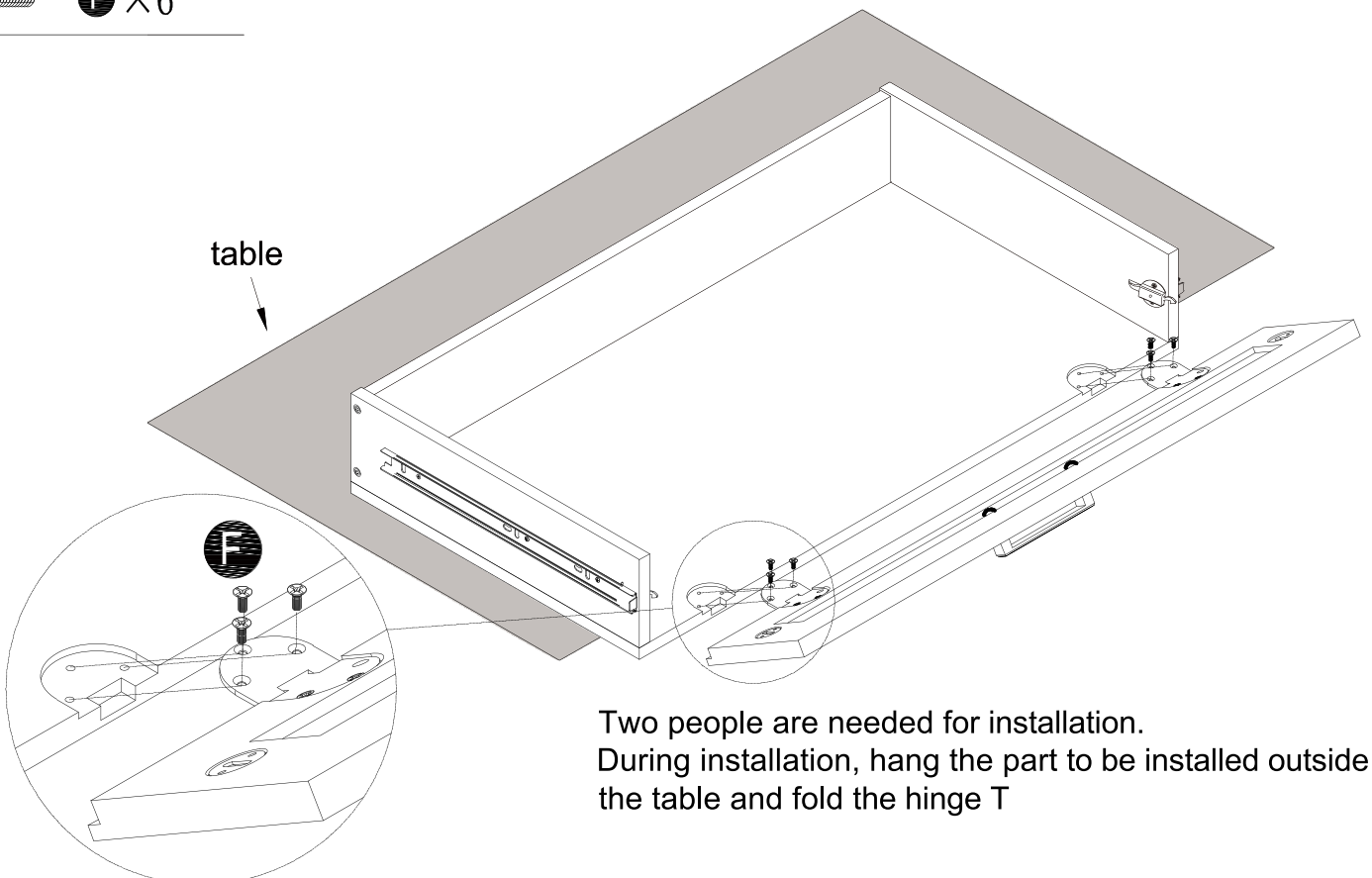
Step 60

Please do not tighten the screws when installing accessory T



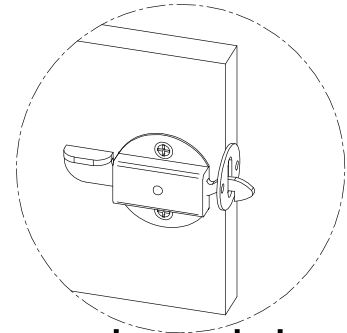
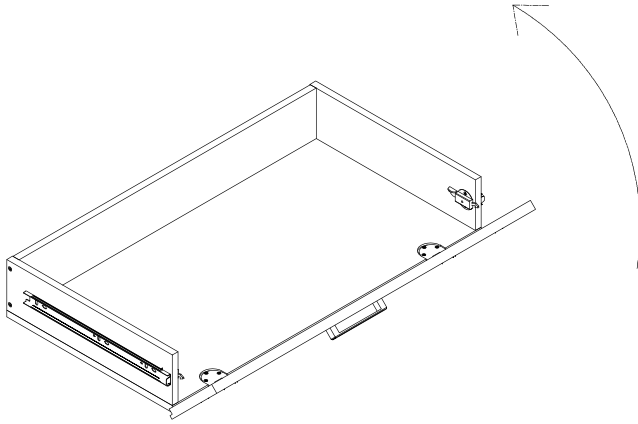
Step 61

After installation, please tighten the screws from the previous step

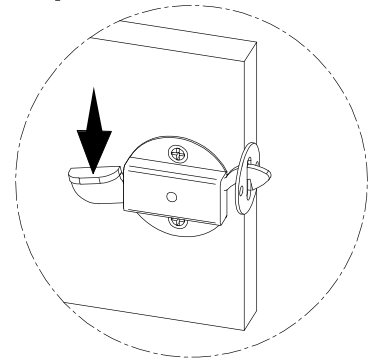


Two people are needed for installation.
During installation, hang the part to be installed outside the table and fold the hinge T

Step 62

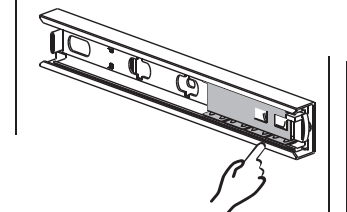
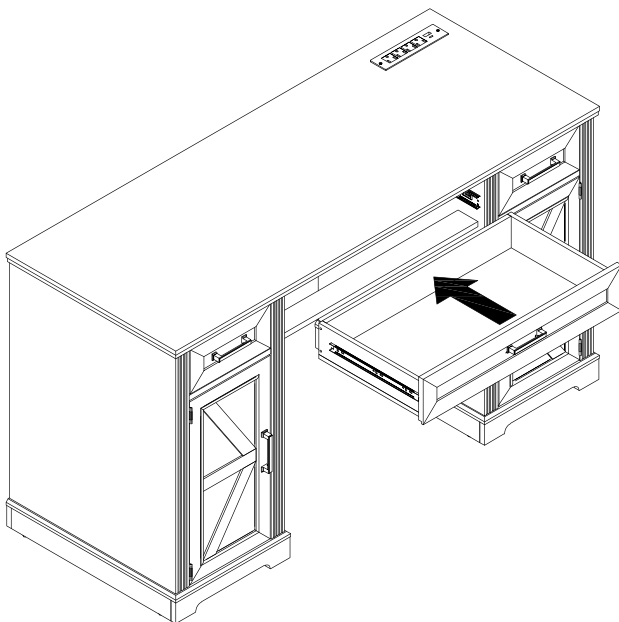


When closed, lock Q in place

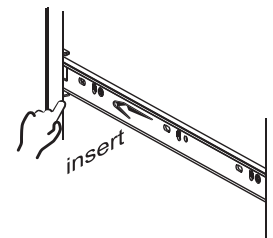


Open the drawer panel and press Q to unlock it

Step 63



Move the balls of the slide rails on both sides to the position as shown in the figure



Slide rails on both sides are inserted into the slide groove at the same time

Note: When assembling the inner slide rail, it is necessary to place the inner slide rail on the steel ball component first, and push the inner rail parallel to the outer rail together. Direct violence will lead to the falling off or deformation of the rail steel ball.

Step 64

