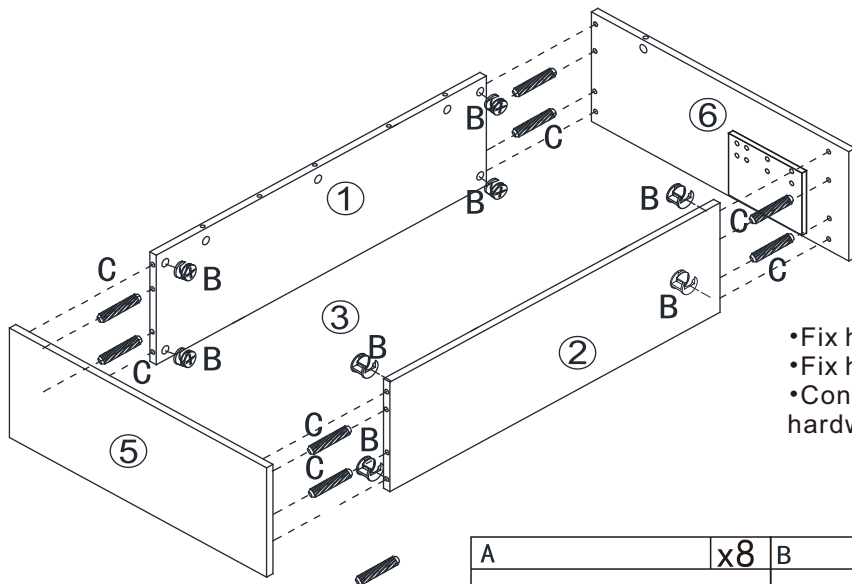
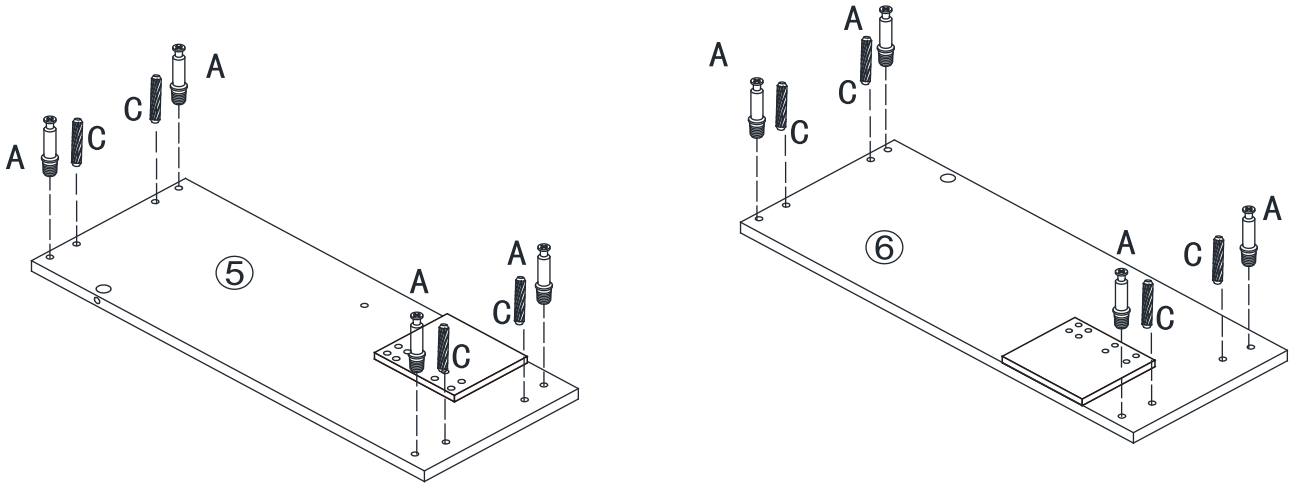





①		x1	②		x1	③		x1
④		x1	⑤		x1	⑥		x1
⑦		x1	⑧		x4			

A	x13	D	x10	G	x1
	35X6mm		4X35mm		
B	x13	E	x32	H	x4
	15X12mm		4X12mm		
C	x18	F	x1	J	x16
	5.8X30mm				4X20mm

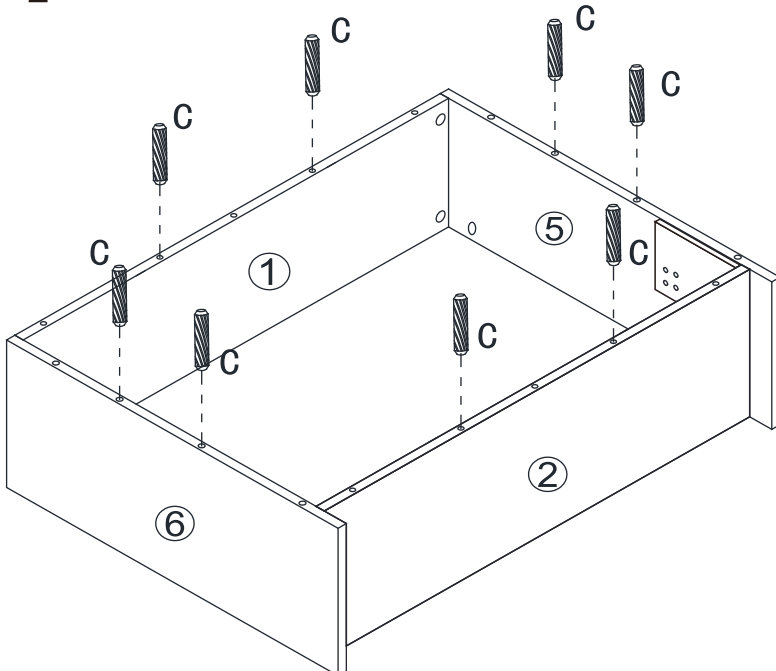
1




- Fix hardware A and C to Part 5.
- Fix hardware A and C to Part 6.
- Connect Part 5 and 6 to Part 1 and 2, then fix hardware B to Part 1 and 2 and screw them.

A	x8	B	x8	C	x8
					
	35X6mm		15X12mm		5.8X30mm

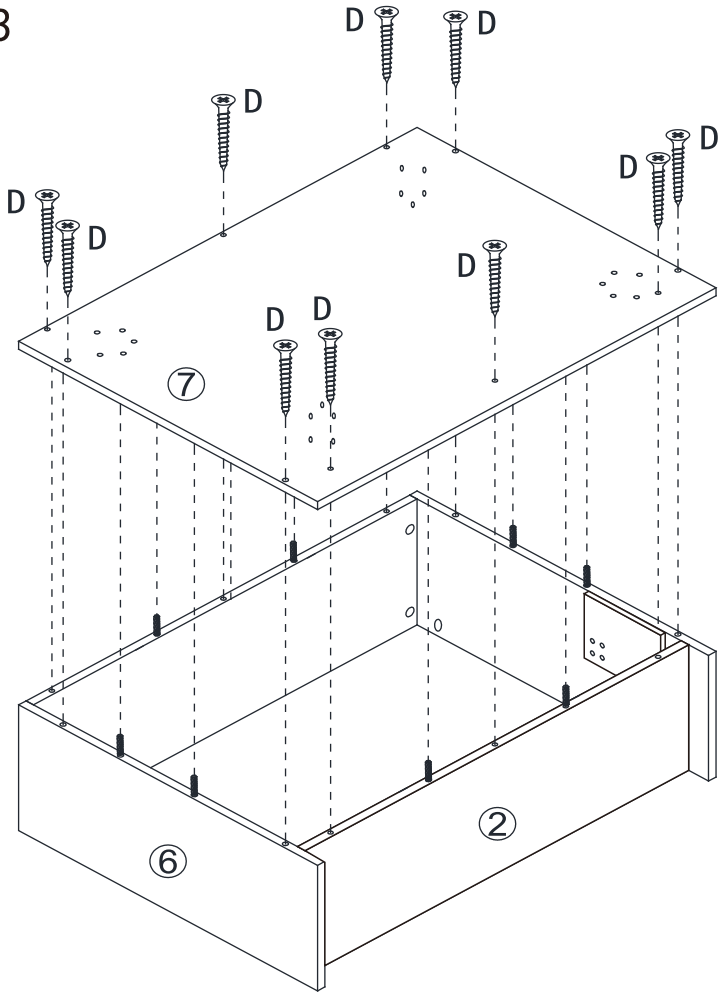
2




- Put hardware C to Part 1, 2, 5 and 6.

C	x8
	
	5.8X30mm

3

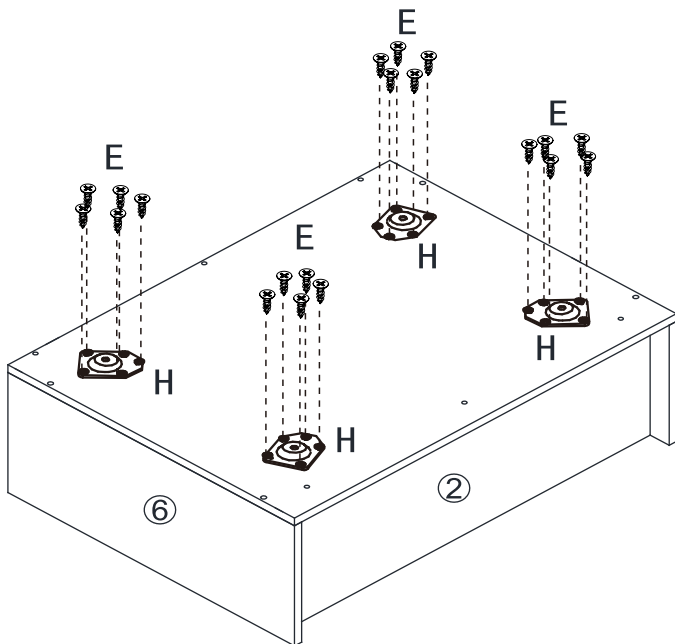



•Fix Part 7 to Part 1,2 5 and 6 with hardware D.

D	x10
	
4X35mm	

4

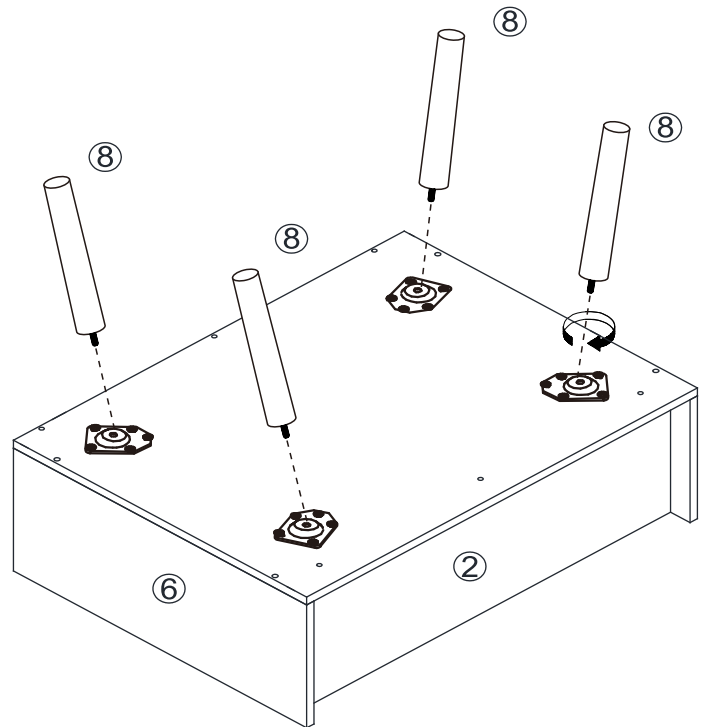
Fix hardware H to Part 7 with hardware E.




E	x20
	
4X12mm	

5

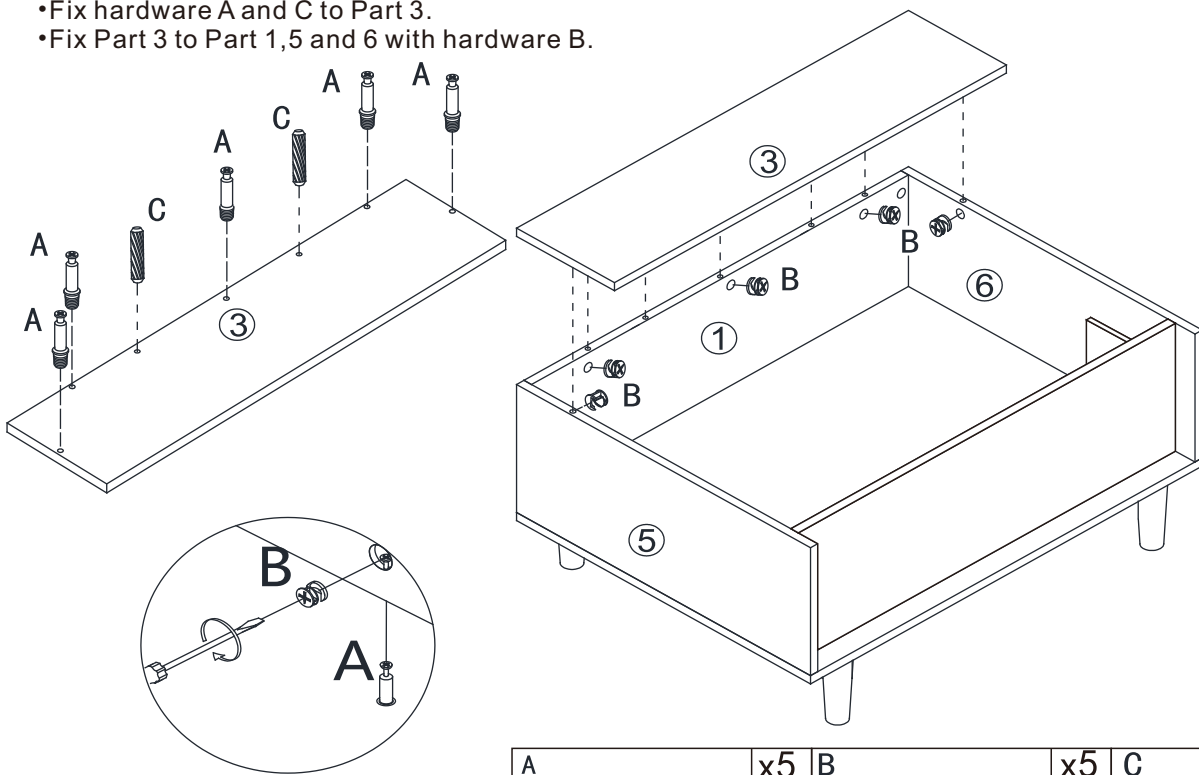
Screw Part 8 to hardware H.






H	x4
	

6

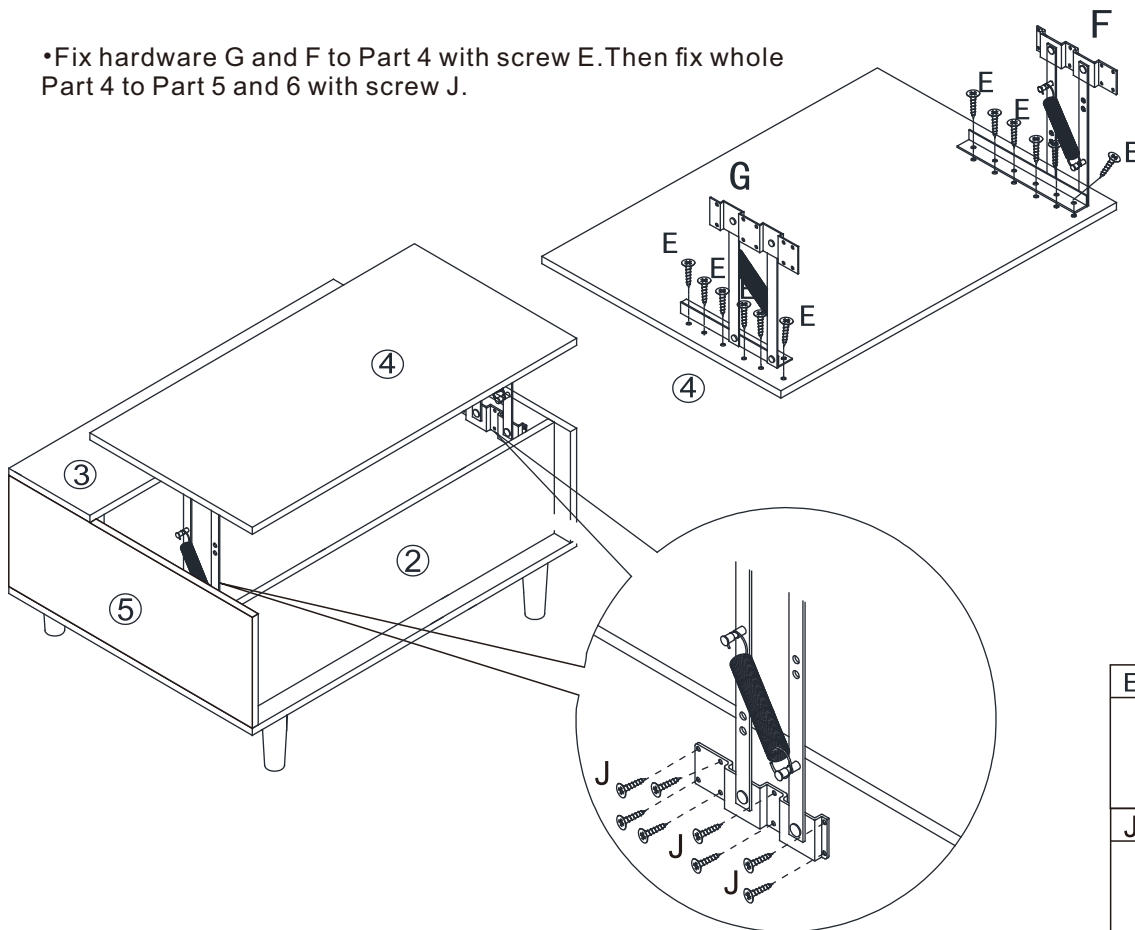
- Fix hardware A and C to Part 3.
- Fix Part 3 to Part 1,5 and 6 with hardware B.





A	x5	B	x5	C	x2
					
	35X6mm		15X12mm		5.8X30mm

7

- Fix hardware G and F to Part 4 with screw E. Then fix whole Part 4 to Part 5 and 6 with screw J.



E	x12		
			4X12mm
J	x16		
			4X20mm
F	x1	G	x1
