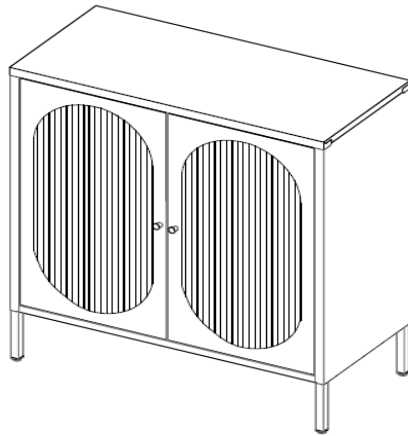


MEDIUM CABINET

ASSEMBLY GUIDE



Important - Please read these instructions fully before starting assembly



SAFETY AND CARE ADVICE



NO POWER TOOLS

SAFETY AND CARE ADVICE

- Check you have all the components and tools listed.
- Remove all fittings from the plastic bags and separate them into their groups.
- We do not recommend the use of power drills/drivers for inserting screws, as this could damage the unit. Only use hand screwdrivers and Allen keys.
- Keep children and animals away from the work area, small parts could cause choking if swallowed.
- Make sure you have enough space to lay out the parts before starting.
- Assemble the item as close to its final position (in the same room) as possible.
- Do not overtighten the nuts to avoid causing damage to the threads.
- Only clean using a damp cloth and mild detergent, do not use bleach or abrasive cleaners.
- From time to time check that there are no loose screws on this unit
- This product should not be discarded with household waste. Take to your local authority waste disposal centre
- **Warning:** Unfixed furniture may tip over. We strongly advise you use the anti-tipping kit provided to secure your shelves to the wall. Please use appropriate fixings for your wall and get professional advice if unsure.

IMPORTANT INFORMATION



30 MINUTE
BUILD

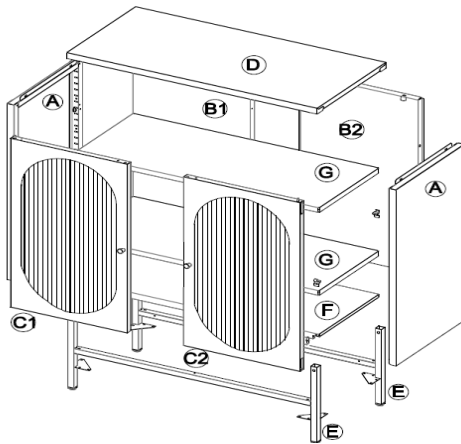


TWO
PERSON



MAXIMUM
CAPACITY 50Kg

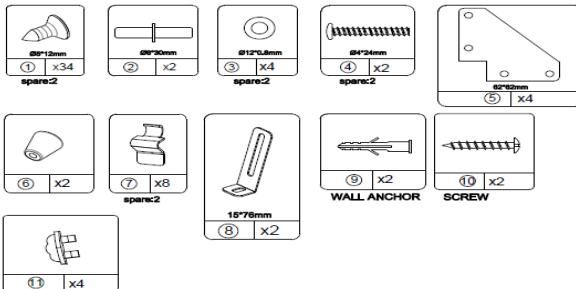
PLEASE CHECK CAREFULLY AND MAKE SURE YOU HAVE ALL FITTINGS AND TOOLS LISTED BELOW BEFORE YOU START.



No.	Size	Qty
A	918x350x24mm	2
B1	890x430x23mm	1
B2	890x442x23mm	1
C1	871x423.5x20mm	1
C2	871x423.5x20mm	1
D	901x351.5x38mm	1
E	380x897x20mm	2
F	896x301x25mm	1
G	896x300x20mm	2



1 x Screwdriver
(Not provided)



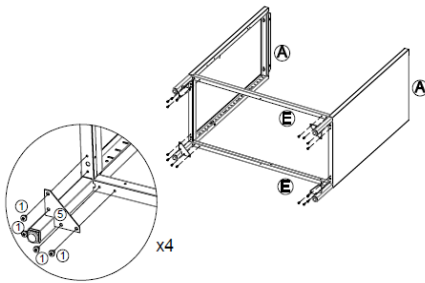
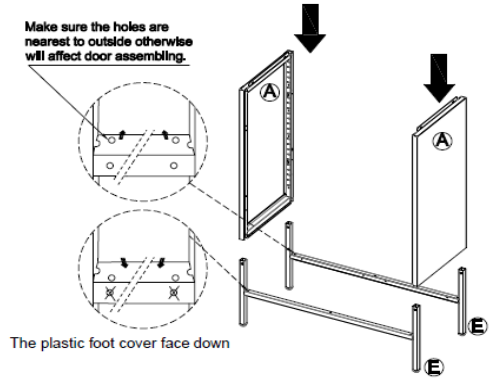
NOTE: The quantities above are the correct amount to complete the assembly. In some cases more fittings may be supplied than are required.

STEP 1

Use a clean, flat, soft surface to avoid any bumps or scratches.

Attach 2 x side panels [A] to 2 x leg frames [E] by slotting [A] onto [E] with the plastic feet on the bottom.

NOTE: Ensure the holes are nearest the outside as this will affect the door assembly.

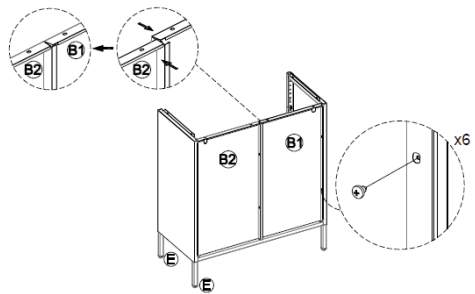


STEP 2

Attach side panels [A] to 2 x leg frames [E] using 4 x corner brackets [5] + 4 x screws [1] to each bracket - 16 in total. Tighten with a screwdriver.

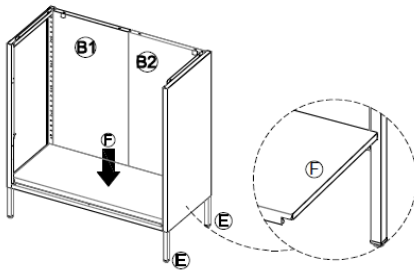
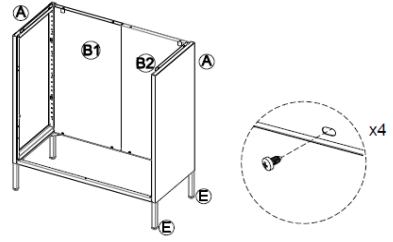
STEP 3

Attach back panels [B1 + B2] onto 2 x side panels [A] and attach using 6 x screws [1]. Tighten with a screwdriver.



STEP 4

Attach back panels [B1 + B2] onto frame parts [A+E] and attach using 4 x screws [1]
Tighten with a screwdriver.

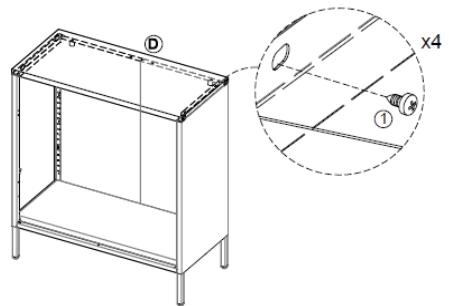


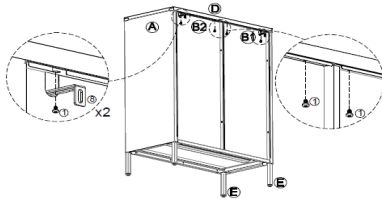
STEP 5

Slot 1 x base panel [F] into the bottom of the frame.

STEP 6

Attach 1 x top panel [D] to 2 x side panels [A] using 4 x screw [1] and tighten with a screwdriver.



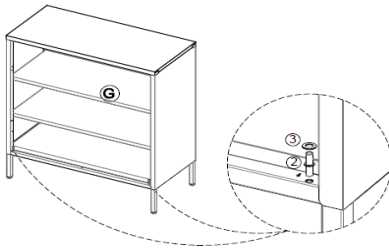
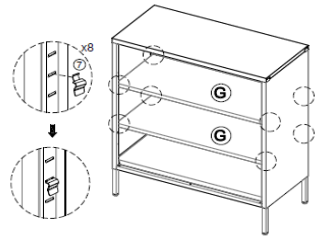


STEP 7

Attach top panel [D] to back panels [B1 + B2] using 2 x wall brackets [8] + 4 x screw [1] and tighten with a screwdriver.

STEP 8

Slot 2 x shelves [G] into the cabinet by using 8 x shelf brackets [7]. Ensure the shelves are level.

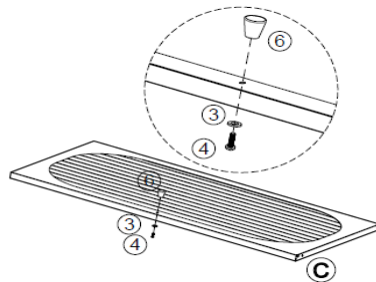


STEP 9

Insert 2 x dowel pin [2] + 2 x washer [3] to the corner of the cabinet frame as shown.

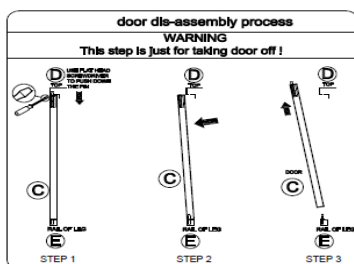
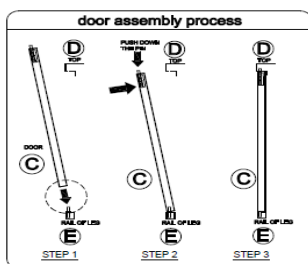
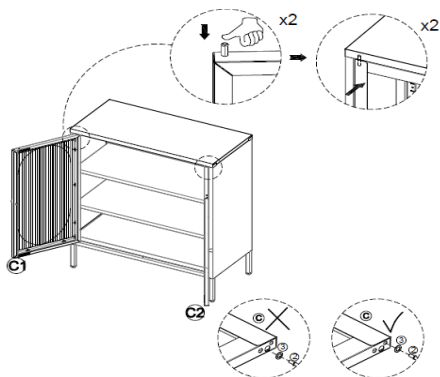
STEP 10

Attach 1 x door handle [6] to door [C] using 1 x washer [3] + 1 x screw [4] through the pre-drilled hole. Tighten with a screwdriver. Repeat for the second door.



STEP 11

Attach doors [C1 + C2] to the pre-assembled cabinet by slotting doors [C1 + C2] onto the pre-inserted dowel pins. Ensure to use the holes nearest the side panel and corner of the door.



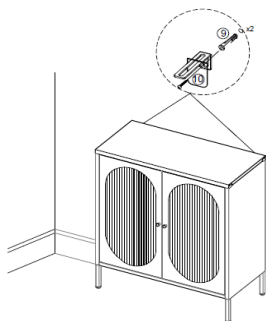
Anti Tipping Kit Assembly

STEP 12

Warning: Unfixed furniture may tip over. We strongly advise you use the anti-tipping kit provided to secure your shelves to the wall. Please use appropriate fixings for your wall and get professional advice if unsure.

Secure the cabinet to the wall with the 2 x pre-attached wall brackets [8]. Attach using 2 x rawl plugs [9] + 2 x screws [10].

Check stability and adjust feet accordingly.
Your cabinet is now ready to use!



Gaps may appear between the top of the doors and the frame if the item is not on level ground; use the plastic foot cover to level.