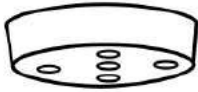












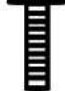




--	--

	<p>G  1 X Ceiling Rose</p> <p>H 5 X Lamp Shade Lamp Cage</p> <p>H1  H2  H3  H4  H5 </p> <p>I  5 X Holder With Cable</p> <p>J  3 X Shade Cap</p> <p>K  5 X Wire cord Hook</p>
--	--

A		1
B		12
C1		5
C2		5
D		2
E		1
F		2

