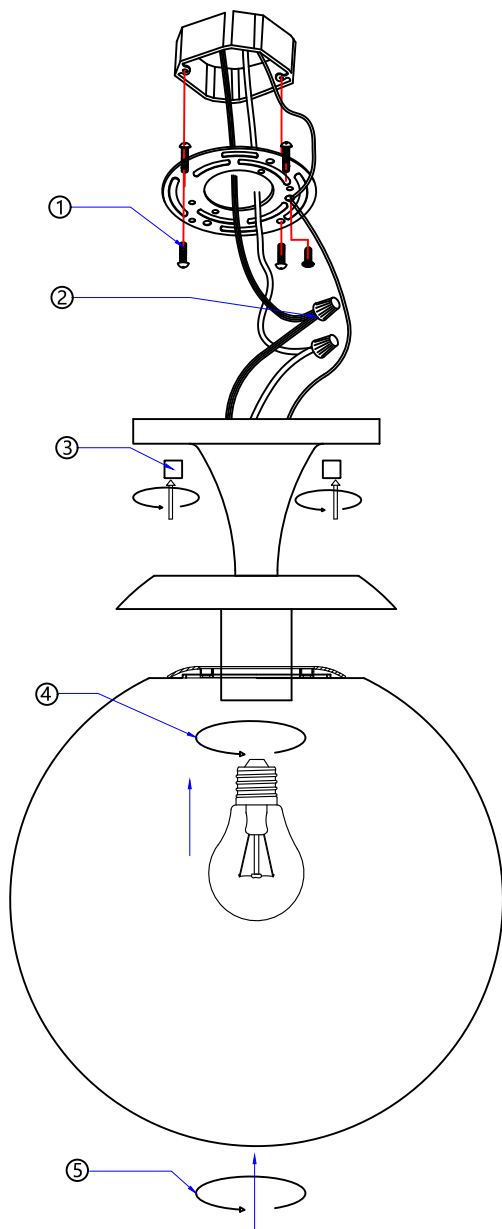


Assembly & Installation Instructions



PREPARATION before INSTALLATION:

1. If an existing fixture is being replaced, remove it and note to which wire in the outlet box the original fixture was attached.
2. Before discarding the carton, double-check the packaging to make sure all parts have been found.
3. This fixture was designed to be mounted on an octagon outlet box. The box must be securely mounted to the structure of the building.

IMPORTANT:

1. **WARNING** - Disconnect power before relamping or wiring the fixture. Turn off the entire electrical circuit to which the lighting fixture is attached.
2. Installation and maintenance of this fixture should be completed by a licensed electrician.
3. Failure to install the fixture correctly could result in serious injury or death.
4. Read all instructions before starting installation.

INSTALLATION STEPS:

1. Secure the mounting plate to the junction box using the screws.
2. Connect the wires using wire nuts as follows:
 - Connect the fixture's **POSITIVE** wire to the home **LIVE/HOT** wire.
 - Connect the fixture's **NEGATIVE** wire to the home **NEUTRAL** wire.
 - Connect the fixture's **GROUND** wire and the home ground wire to the mounting plate with the grounding screw.

***Note:** Ensure no wire strands are exposed.
3. Secure the light fixture to the mounting plate with the knob caps.
4. Install the bulb (not included) into the lamp socket.
5. Tighten the lampshade onto the threaded rod of the light fixture.