

# ASSEMBLY INSTRUCTIONS

## AVA COLLECTION

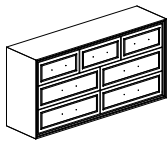

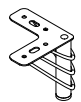



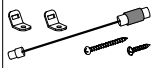
MODEL : B1891-050 AVA 7 DRAWER DRESSER  
(1 Per Carton)

Thank you for purchasing this quality product. Be sure to check all packing materials carefully for small parts, which may have come loose inside the carton during shipment. Identify and count all items and compare with the parts list and/or hardware list shown below.

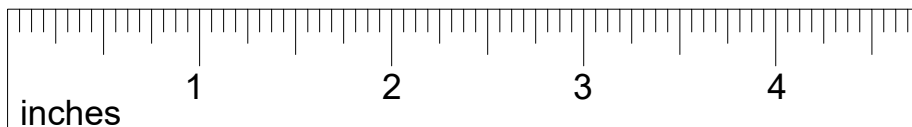
Please read all instructions carefully. See the hardware and furniture part listing for guidance. Be sure you have all parts listed before beginning assembly. Place all wooden parts on a clean, flat surface to protect the finish from scratches. Follow the diagram to assemble.

### CAUTION

1. Do not fully tighten the nuts or bolts until the table is fully assembled.
2. Please tighten by hand, not by a drill. Overtightening will damage threads. Do not overtighten.
3. Keep all hardware out of the reach of children.

PARTS LIST				HARDWARE LIST			
ITEM	DESCRIPTION	SKETCH	QTY	ITEM	DESCRIPTION	SKETCH	QTY
A	DRESSER		1 PC	1	BOLT M6 x 5/8"		12 PCS
B	METAL LEG		4 PCS	2	FLAT WASHER M6 x 3/4"		8 PCS
C	CENTER SUPPORT LEG		1 PC	3	ALLEN KEY M4 x 2 3/8"		1 PC
				4	ANTI-TIPPING KIT		1 PC

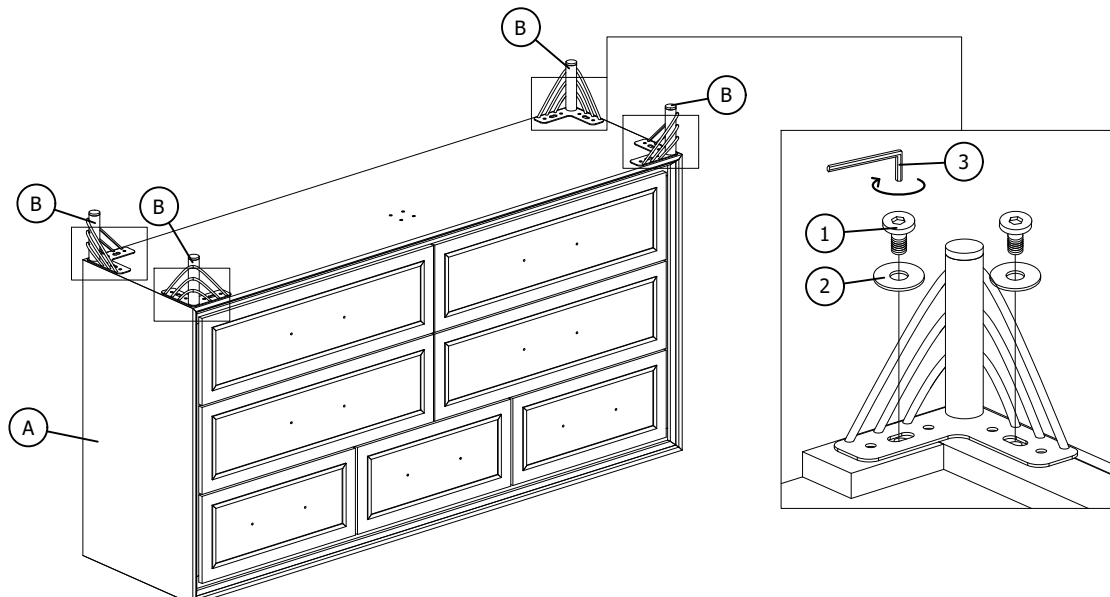
### HARDWARE DIMENSIONS VERIFICATION TOOL



**STEP 1:** Place the Dresser (A) upside down on a soft and clean surface.

Assemble the Metal Legs (B) with the Chest (A) by using Allen Key (3) with hardware (1) and (2).

**\*\*Attention: DO NOT OVER TIGHTEN THE BOLTS.**

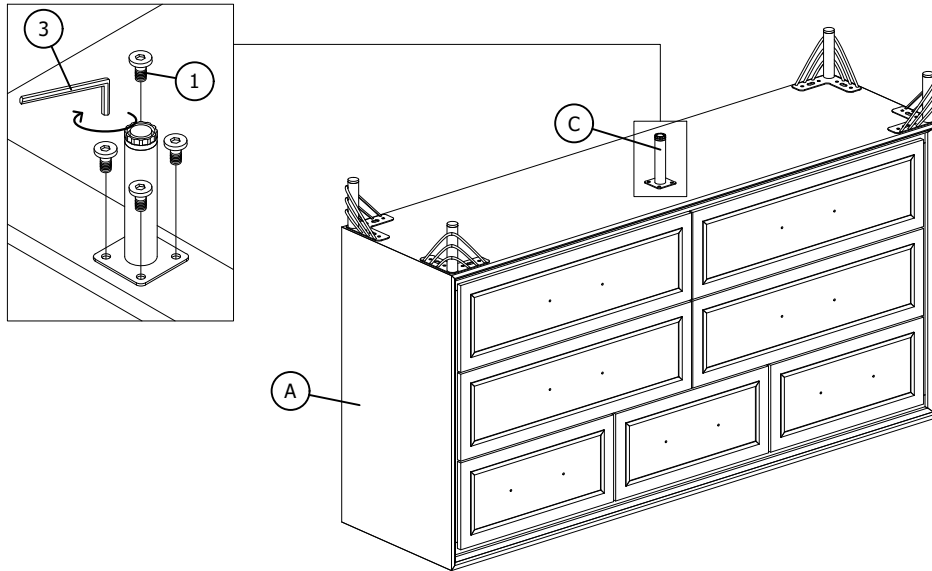


# ASSEMBLY INSTRUCTIONS

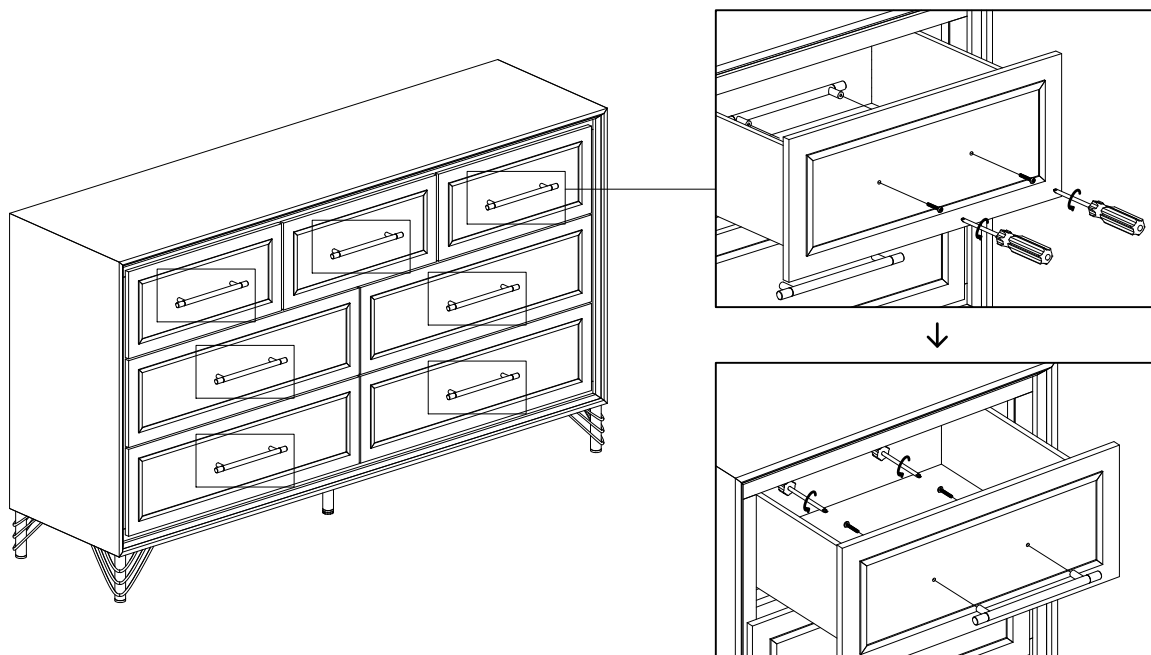
## AVA COLLECTION

MODEL : B1891-050 AVA 7 DRAWER DRESSER  
(1 Per Carton)

**STEP 2:** Assemble the Center Support Leg (C) by using Allen Key (3) with hardware (1).  
\*\*Attention: DO NOT OVER TIGHTEN THE BOLTS.



**STEP 3:** Install the handle by unscrewing the bolts with a screwdriver and move the handle to the outside of the drawer and screw the bolts back in from the inside of the drawer.  
Repeat for each handle.  
\*\*Attention: DO NOT OVER TIGHTEN THE SCREWS.

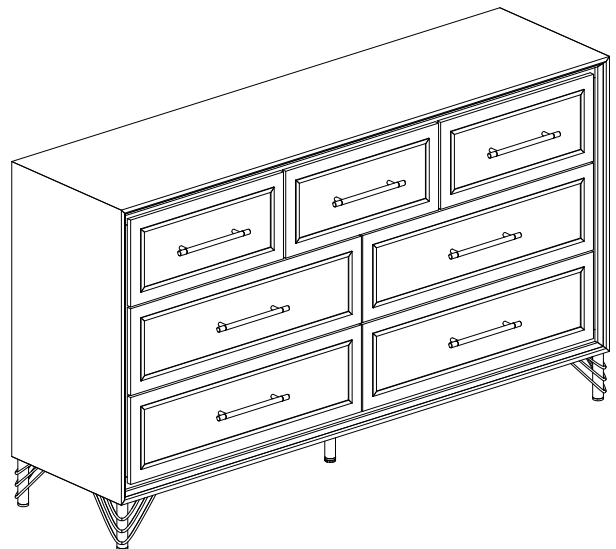
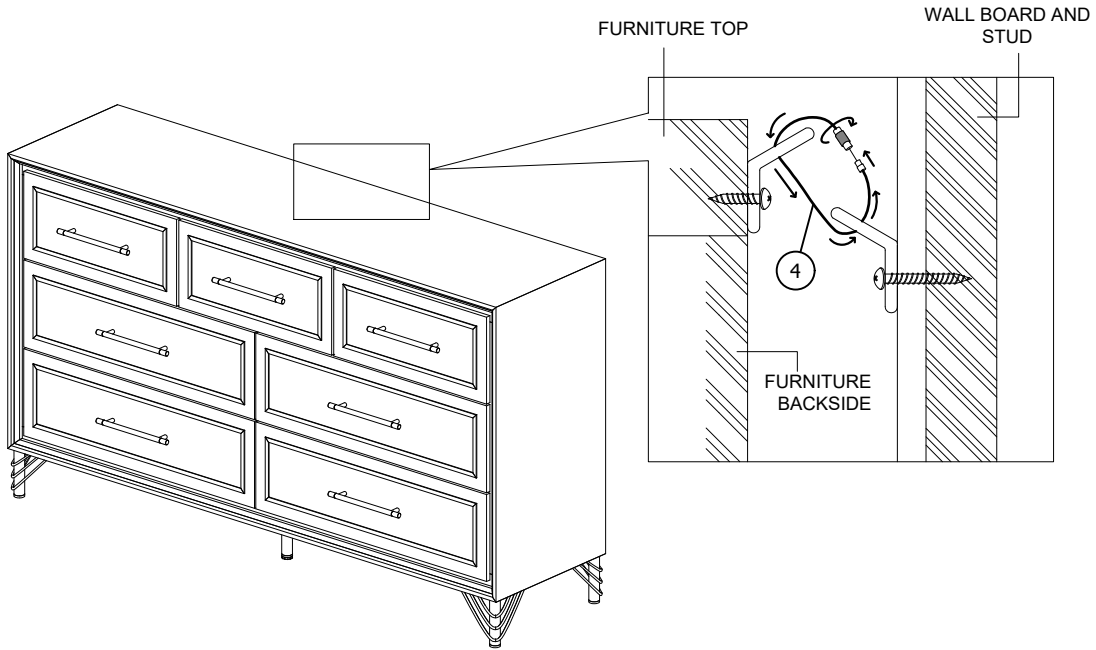


# ASSEMBLY INSTRUCTIONS

## AVA COLLECTION

MODEL : B1891-050 AVA 7 DRAWER DRESSER  
(1 Per Carton)

**STEP 4:** Follow the instructions from the Anti-Tipping Kit (4) to install the Anti-Tipping Restraint.



ASSEMBLY COMPLETED

MADE IN MALAYSIA

# ASSEMBLY INSTRUCTIONS

## SYMMETRY COLLECTION

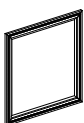
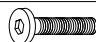





MODEL : B1891-060 AVA MIRROR  
(1 Per Carton)

Thank you for purchasing this quality product. Be sure to check all packing materials carefully for small parts, which may have come loose inside the carton during shipment. Identify and count all items and compare with the parts list and/or hardware list shown below.

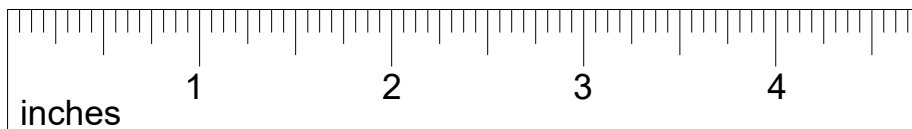
Please read all instructions carefully. See the hardware and furniture part listing for guidance. Be sure you have all parts listed before beginning assembly. Place all wooden parts on a clean, flat surface to protect the finish from scratches. Follow the diagram to assemble.

### CAUTION

1. Do not fully tighten the nuts or bolts until the table is fully assembled.
2. Please tighten by hand, not by a drill. Overtightening will damage threads. Do not overtighten.
3. Keep all hardware out of the reach of children.

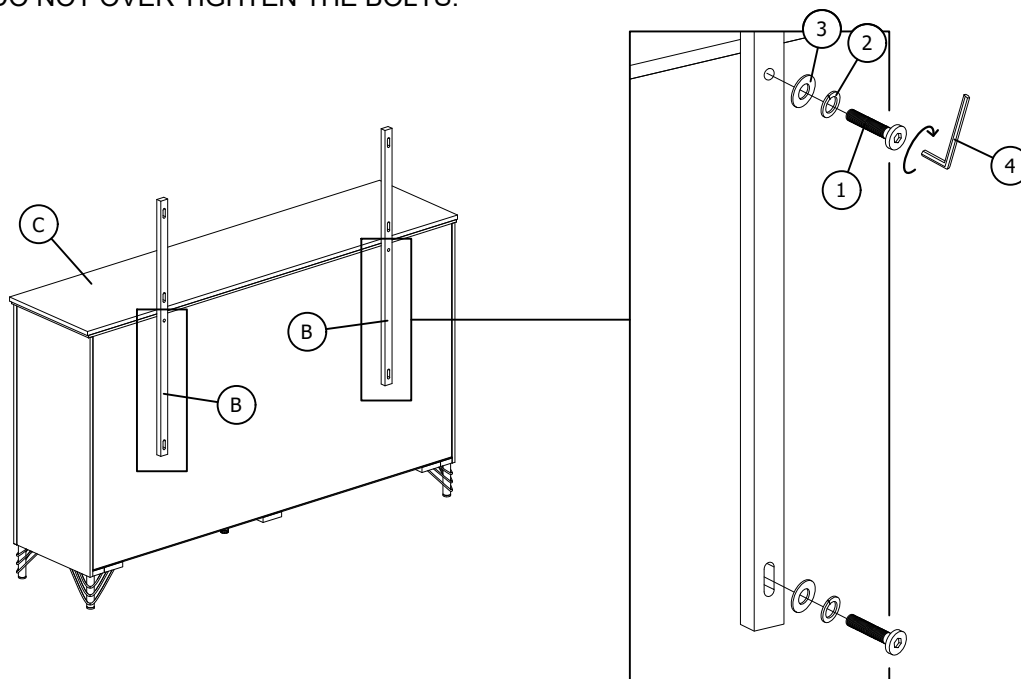
PARTS LIST				HARDWARE LIST			
ITEM	DESCRIPTION	SKETCH	QTY	ITEM	DESCRIPTION	SKETCH	QTY
A	MIRROR		1 PC	1	BOLT M6 x 1 9/16"		8 PCS
B	MIRROR SUPPORT		2 PCS	2	SPRING WASHER M6 x 1/2"		8 PCS
C	DRESSER (FROM DRESSER BOX)		1 PC	3	FLAT WASHER M6 x 3/4"		8 PCS
				4	ALLEN KEY M4 x 2 3/8"		1 PC

### HARDWARE DIMENSIONS VERIFICATION TOOL



**STEP 1:** Assemble the Mirror Support (B) with the Dresser (C) by using Allen Key (4) with hardware (1), (2) and (3).

**\*\* Attention: DO NOT OVER TIGHTEN THE BOLTS.**

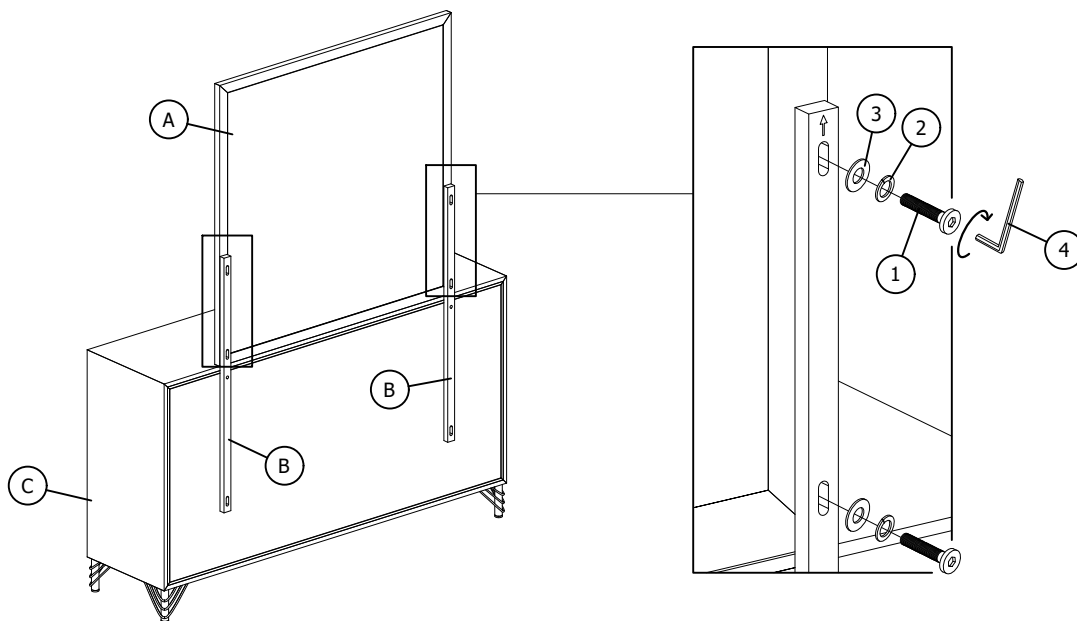


# ASSEMBLY INSTRUCTIONS

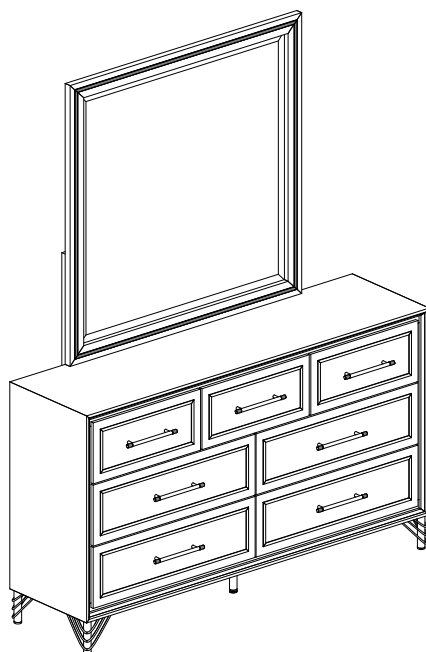
## SYMMETRY COLLECTION

MODEL : B1891-060 AVA MIRROR  
(1 Per Carton)

**STEP 2:** Assemble the Mirror (A) with the Mirror Support (B) by using Allen Key (4) with hardware (1), (2) and (3).  
**\*\* Attention: DO NOT OVER TIGHTEN THE BOLTS.**



**STEP 3:** Complete.



**ASSEMBLY COMPLETED**