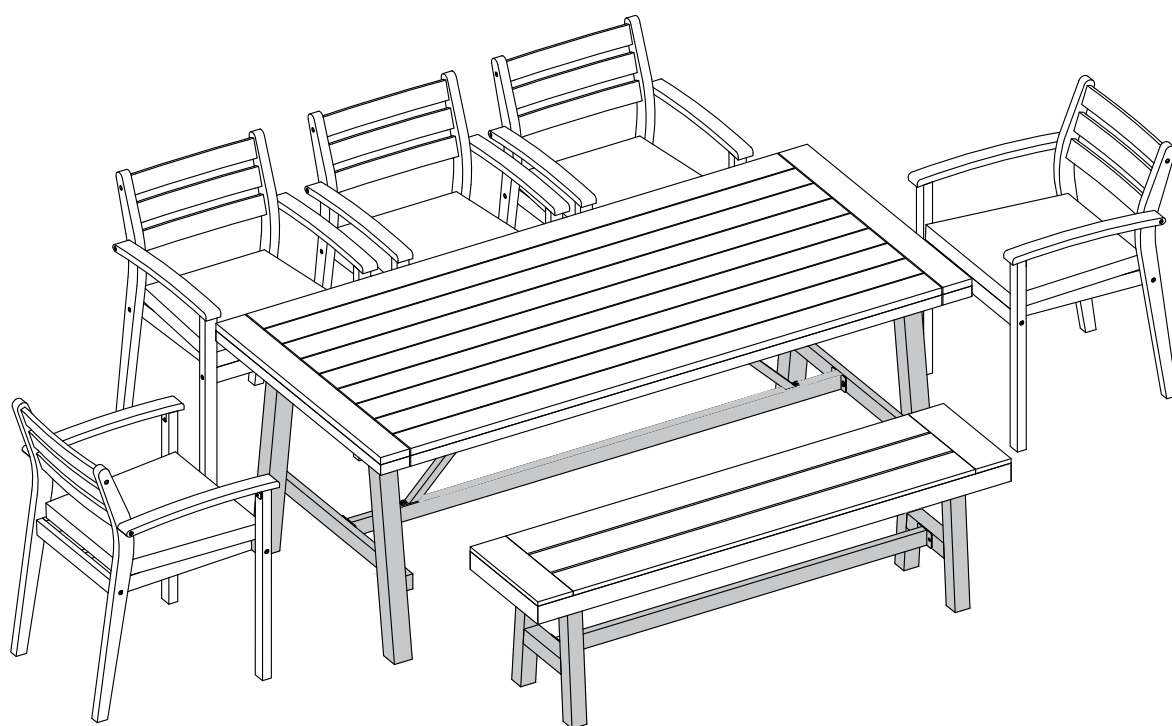
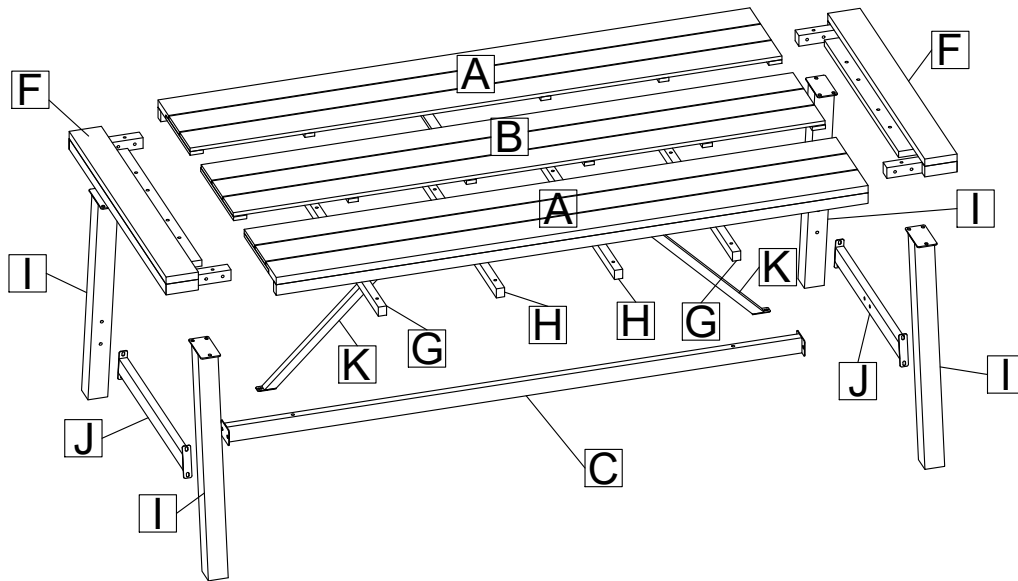


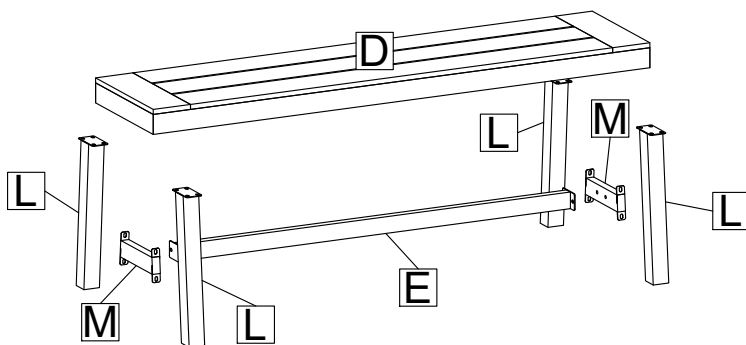
ASSEMBLY INSTRUCTION
PATIO FURNITURE SETS



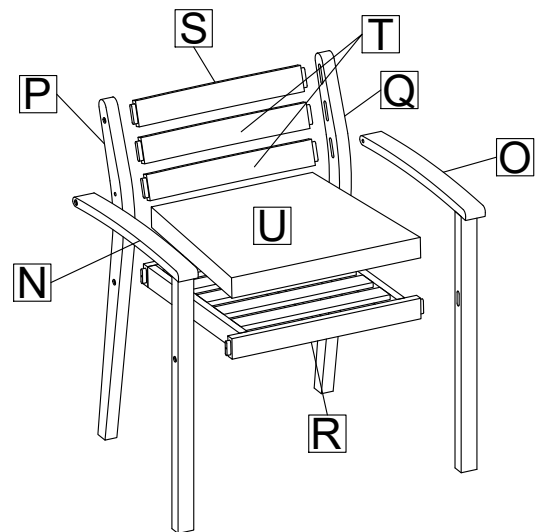
(1 x Table)



(1 x Bench)



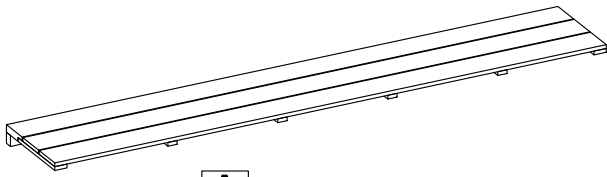
(5 x Chair)



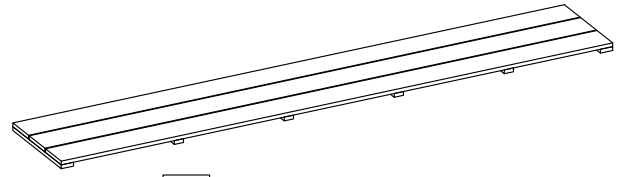
Note:

1. 50% Tighten before fixing all screws, Allen wrench is recommended instead of an electric drill.
2. Place the item on a flat ground to adjust and make sure it remains stable.
3. Tighten up all screw with tools gradually.
4. If screw are not aligned with holes during assembly, please loosen all the other screws to 50% and continue the assembly process.
5. If the item is not stable, please loosen all screws, adjust it on a flat ground and tighten up all screws again.
6. Note: If one or some screws are fully tighten during assembly, chances are the others will not be aligned with holes. In addition, all the holes are designed to be relatively larger to provide more space for the adjustment of the screws.

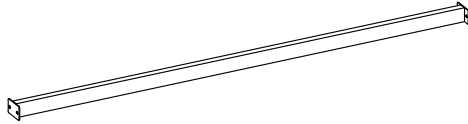
CARTON CONTENT:



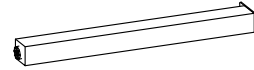
A Table Top (2pcs)



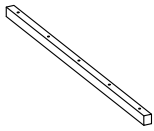
B Middle Table Top (1pc)



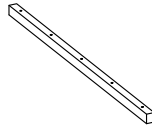
C Bottom Table Top (1pc)



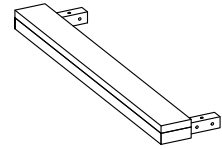
I Table Leg (4pcs)



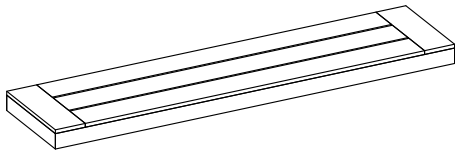
G Support Table Top (2pcs)



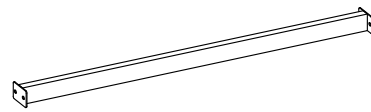
H Support Middle Table Top (2pcs)



F Side Table Top (2pcs)



D Seat Bench (1pc)



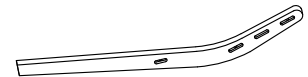
E Bottom Bench (1pc)



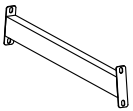
L Bench Leg (4pcs)



P Right Chair Leg (5pcs)



Q Left Chair Leg (5pcs)



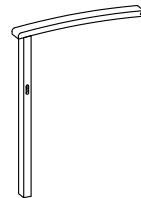
J Support Table Leg (2pcs)



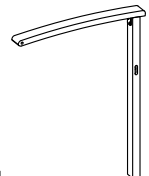
K Support Table (2pcs)



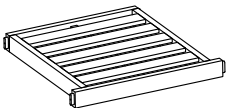
M Support Bench Leg (2pcs)



N Right Armrest (5pcs)



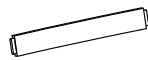
O Left Armrest (5pcs)



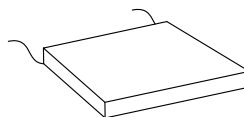
R Seat Chair (5pcs)



S Top Back (5pcs)



T Middle Back (10pcs)



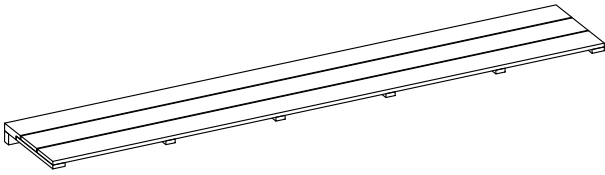
U Seat Cushion (5pcs)



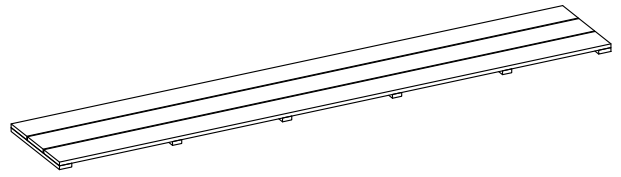
Hardware

Part List:

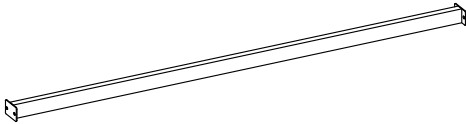
A Table Top (2pcs)



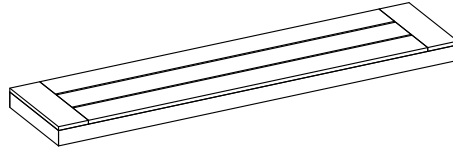
B Middle Table Top (1pc)



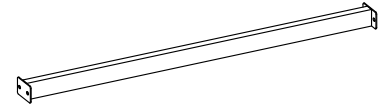
C Bottom Table Top (1pc)



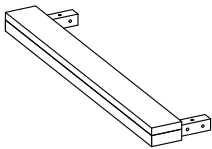
D Seat Bench (1pc)



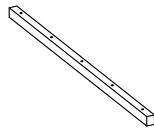
E Bottom Bench (1pc)



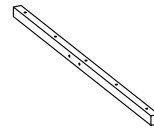
F Side Table Top (2pcs)



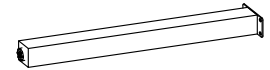
G Support Table Top (2pcs)



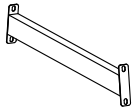
H Support Middle Table Top (2pcs)



I Table Leg (4pcs)



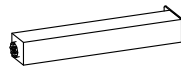
J Support Table Leg (2pcs)



K Support Table (2pcs)



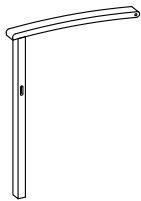
L Bench Leg (4pcs)



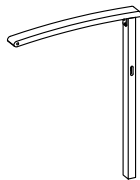
M Support Bench Leg (2pcs)



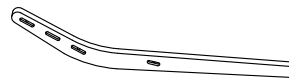
N Right Armrest (5pcs)



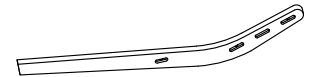
O Left Armrest (5pcs)



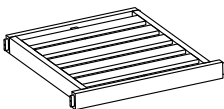
P Right Chair Leg (5pcs)



Q Left Chair Leg (5pcs)



R Seat Chair (5pcs)



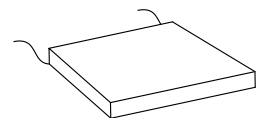
S Top Back (5pcs)



T Middle Back (10pcs)



U Seat Cushion (5pcs)



Hardware List:



Screw Bolt Ø6x20mm

1 x54+3



Flat Washer

2 x58+3



Screw Bolt Ø6x20mm

3 x4+1



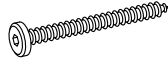
Screw Bolt Ø6x30mm

4 x8+1



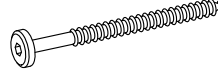
Screw Bolt Ø6x45mm

5 x36+3



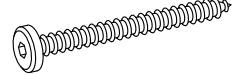
Screw Bolt Ø6x60mm

6 x10+1



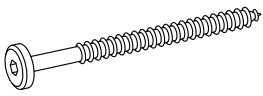
Screw Bolt Ø6x90mm

7 x10+1



Screw Bolt Ø7x60mm

8 x10+1



Screw Bolt Ø7x90mm

9 x10+1



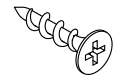
Allen Key

10 x2



Pat Chair Leg

11 x20+1



Screw Bolt Ø4x20mm

12 x80+3

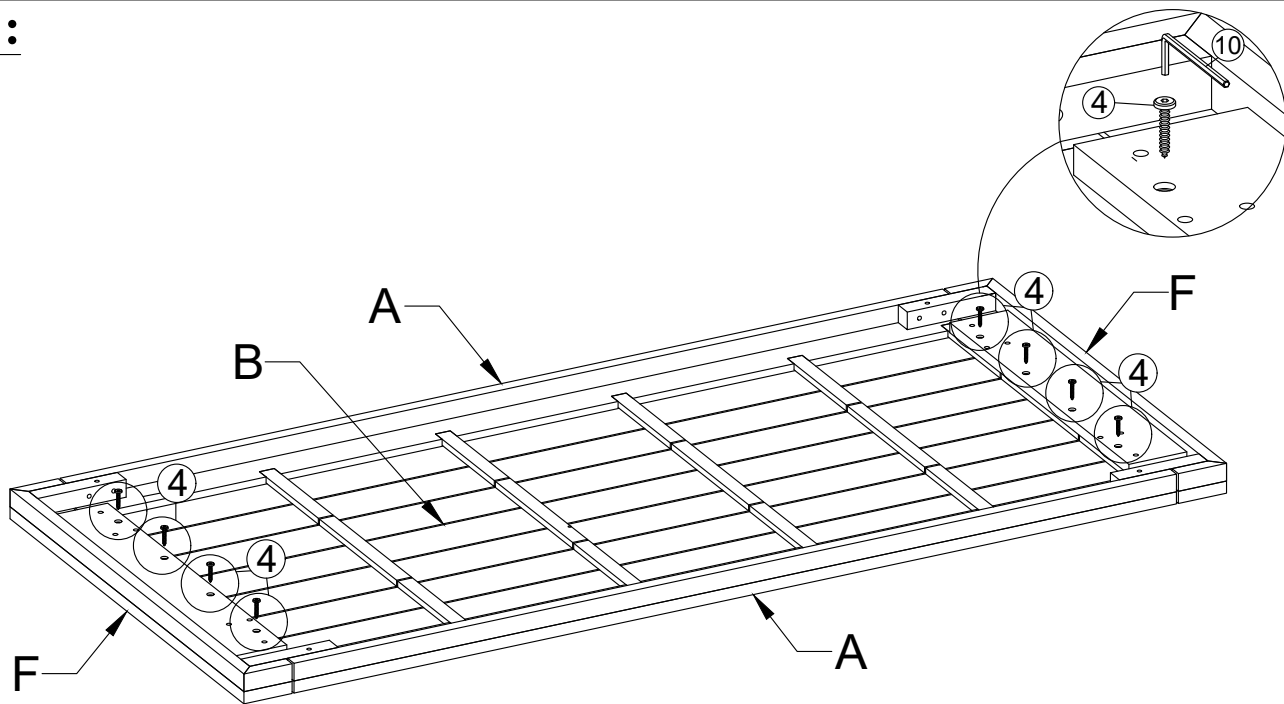
Step 1:

A x2

B x1

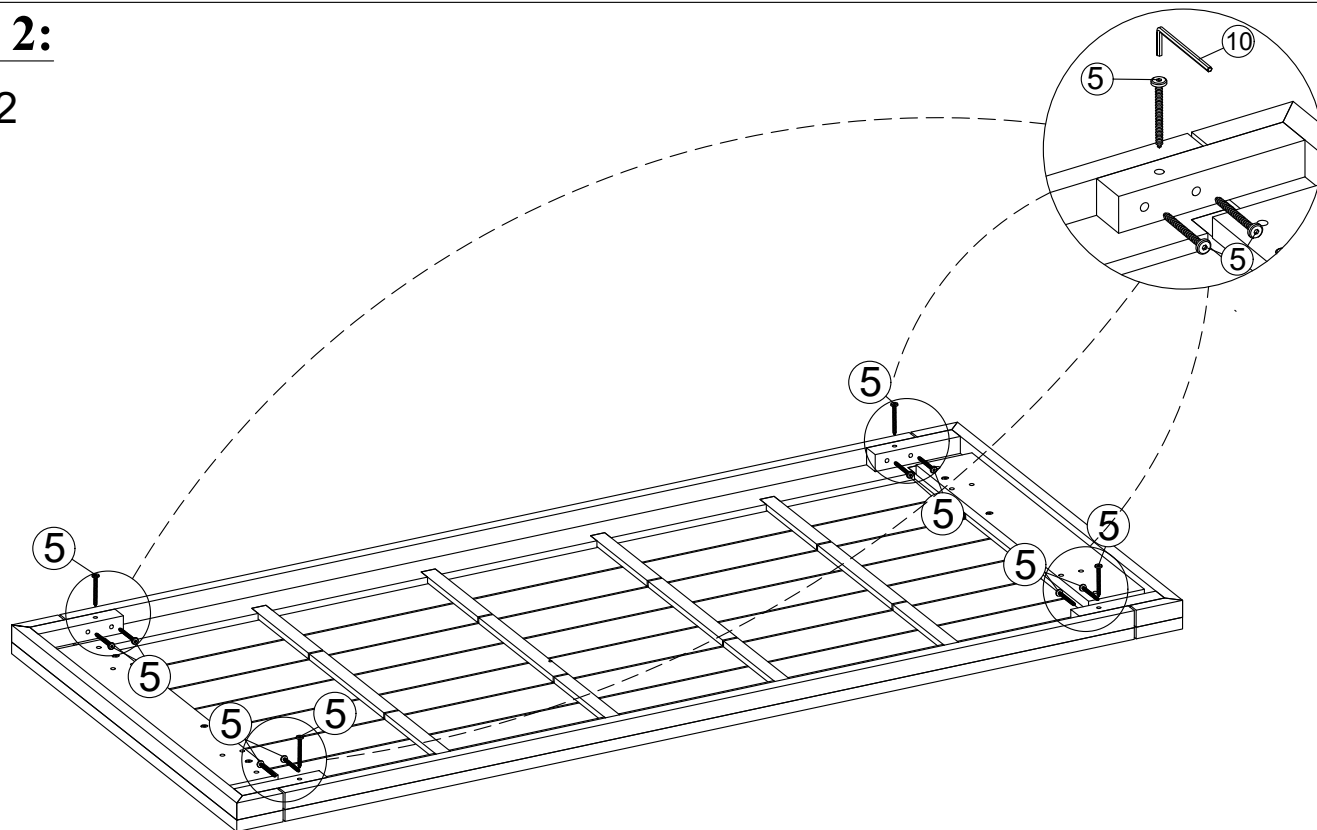
F x2

4 x8



Step 2:

5 x12

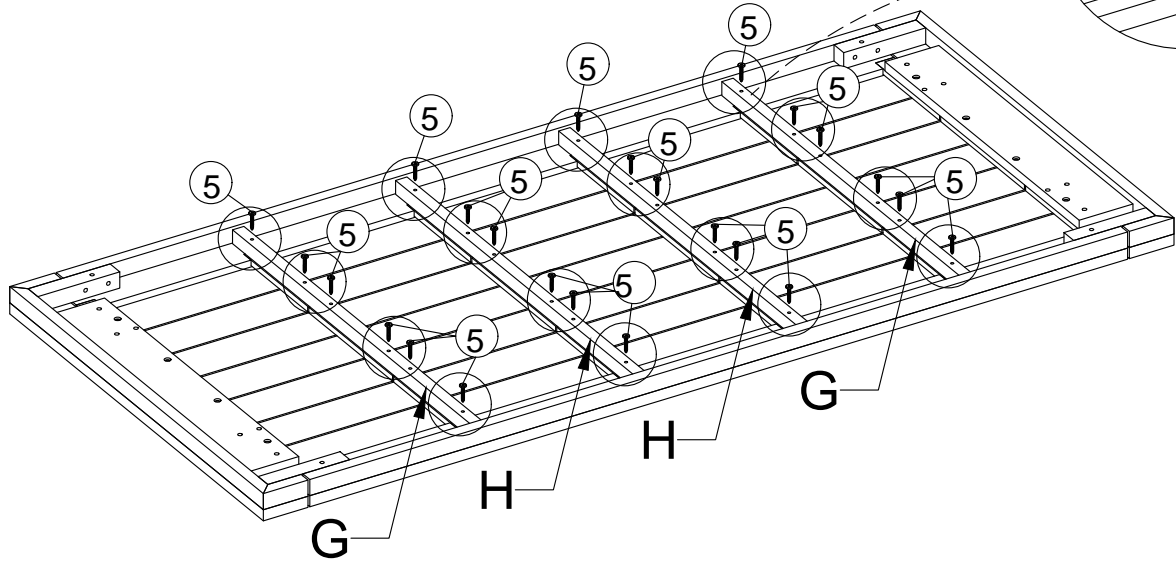


Step 3:

G x2

H x2

5 x24

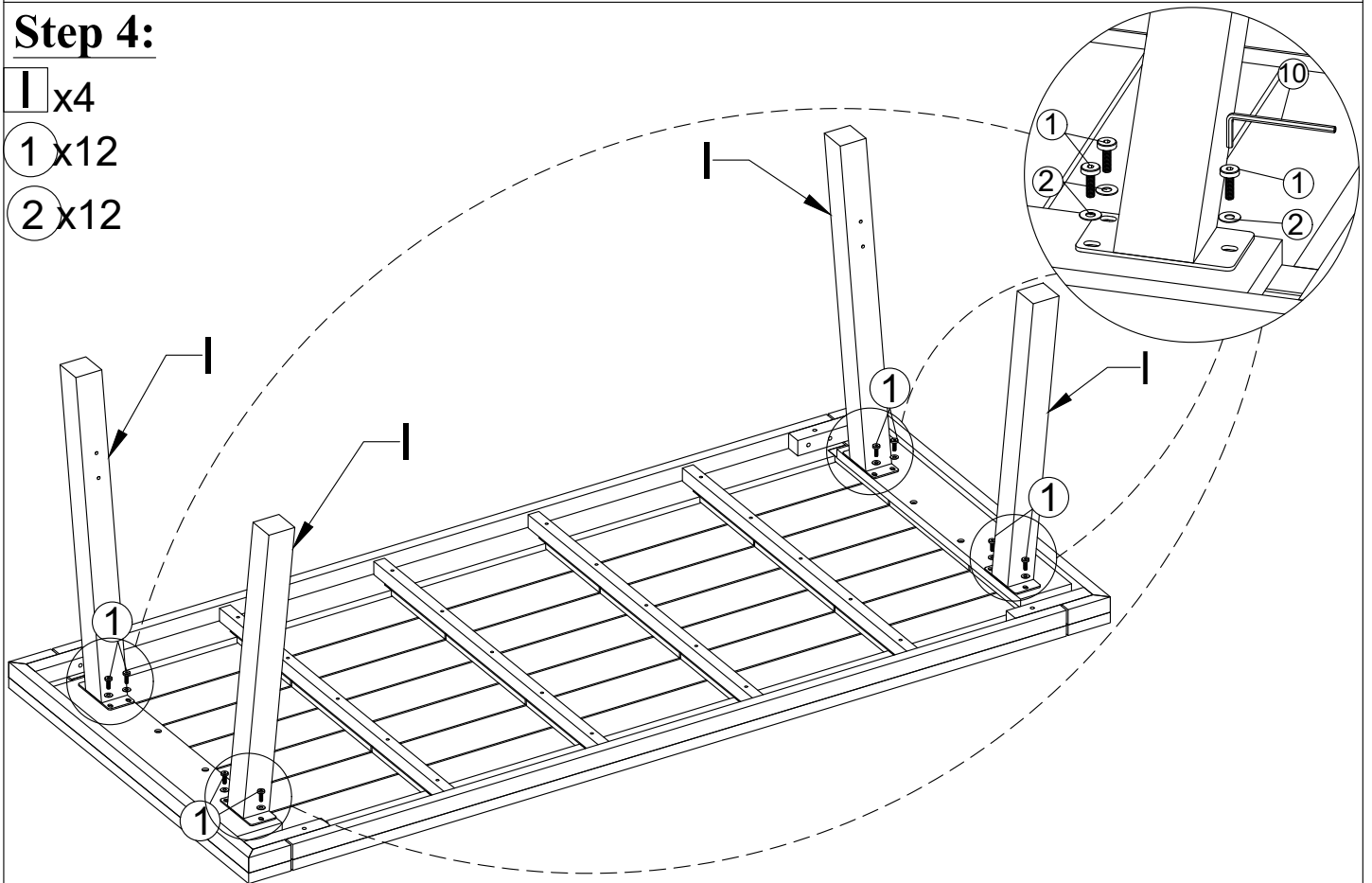


Step 4:

I x4

1 x12

2 x12

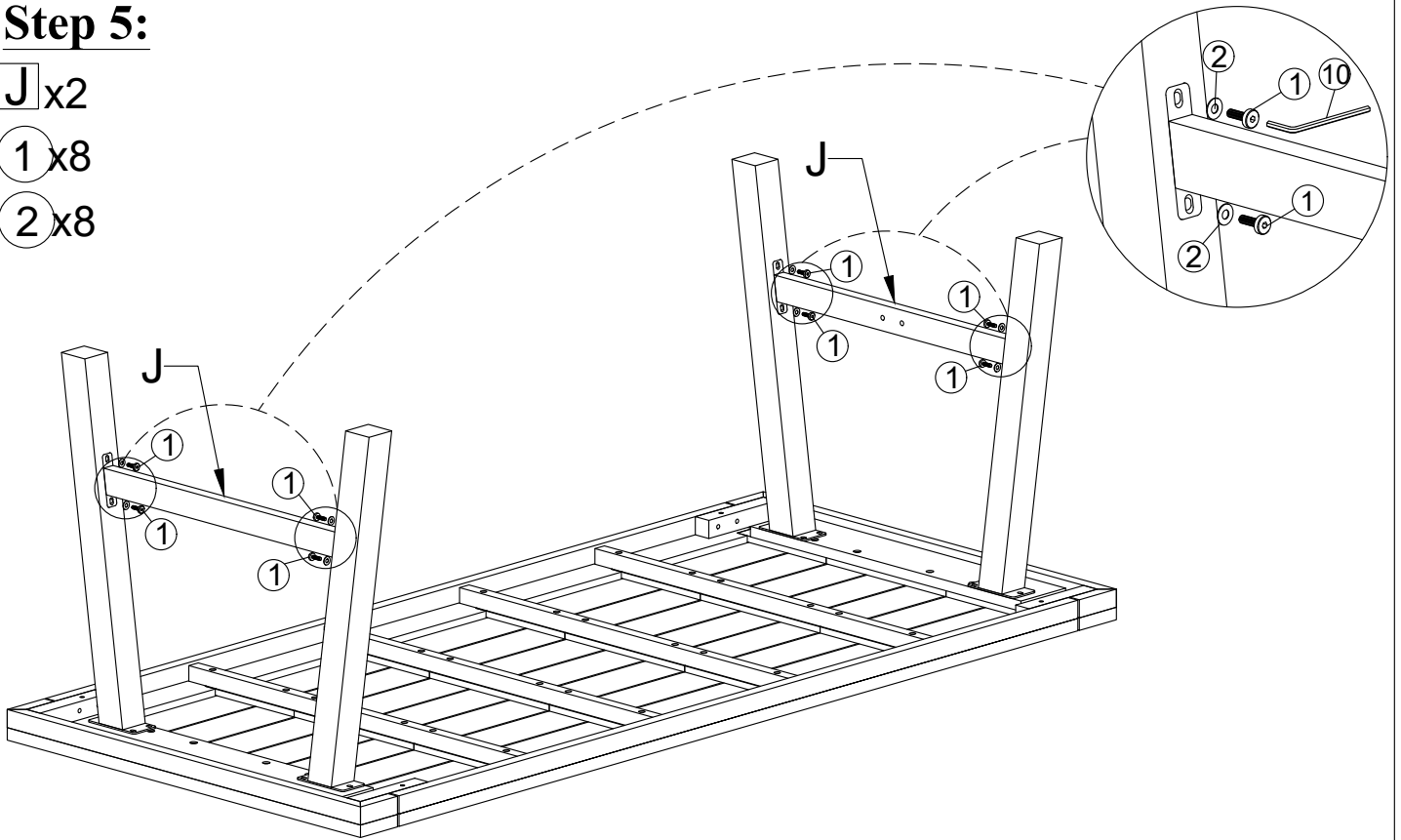


Step 5:

J x2

1 x8

2 x8

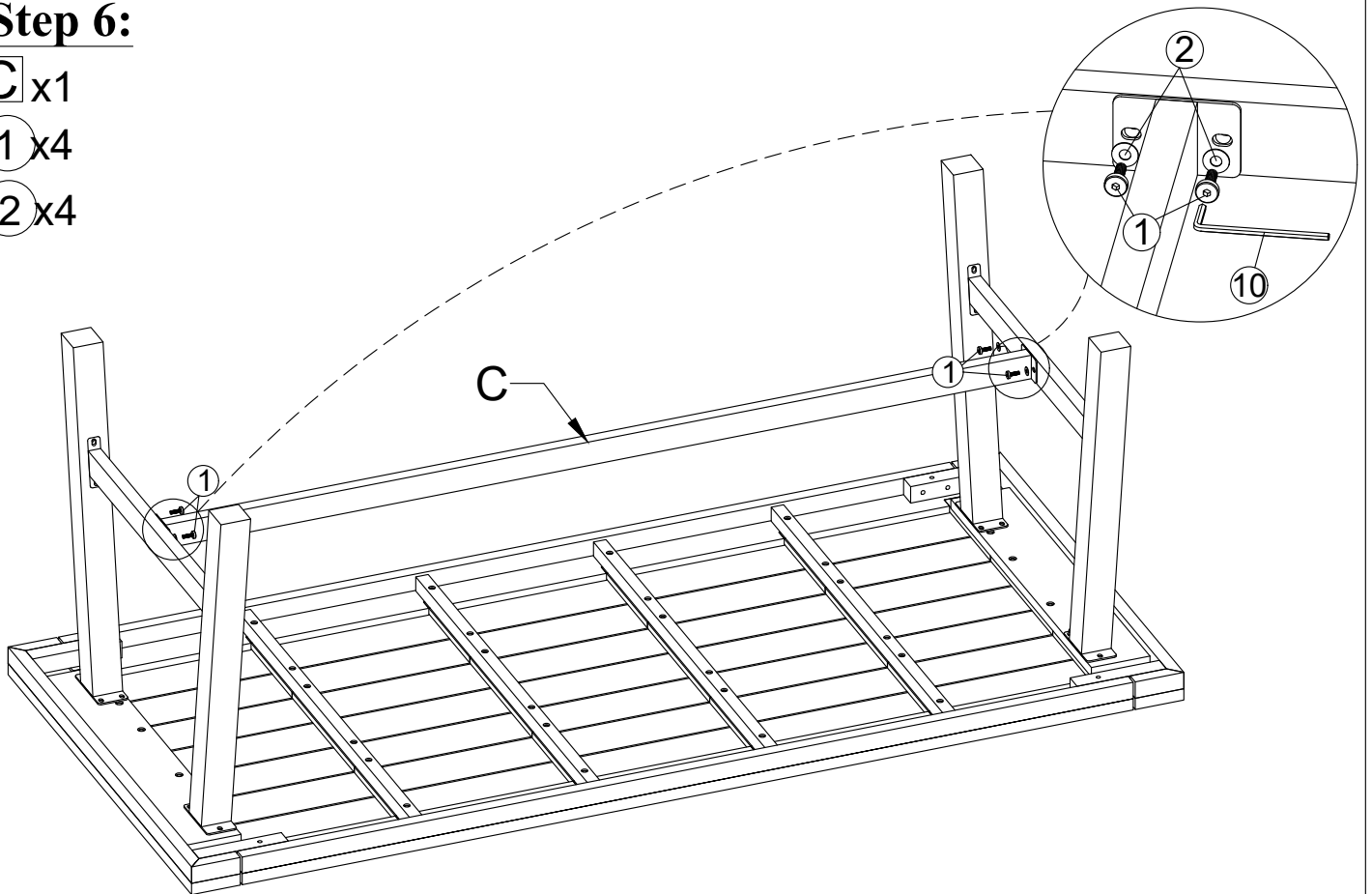


Step 6:

C x1

1 x4

2 x4

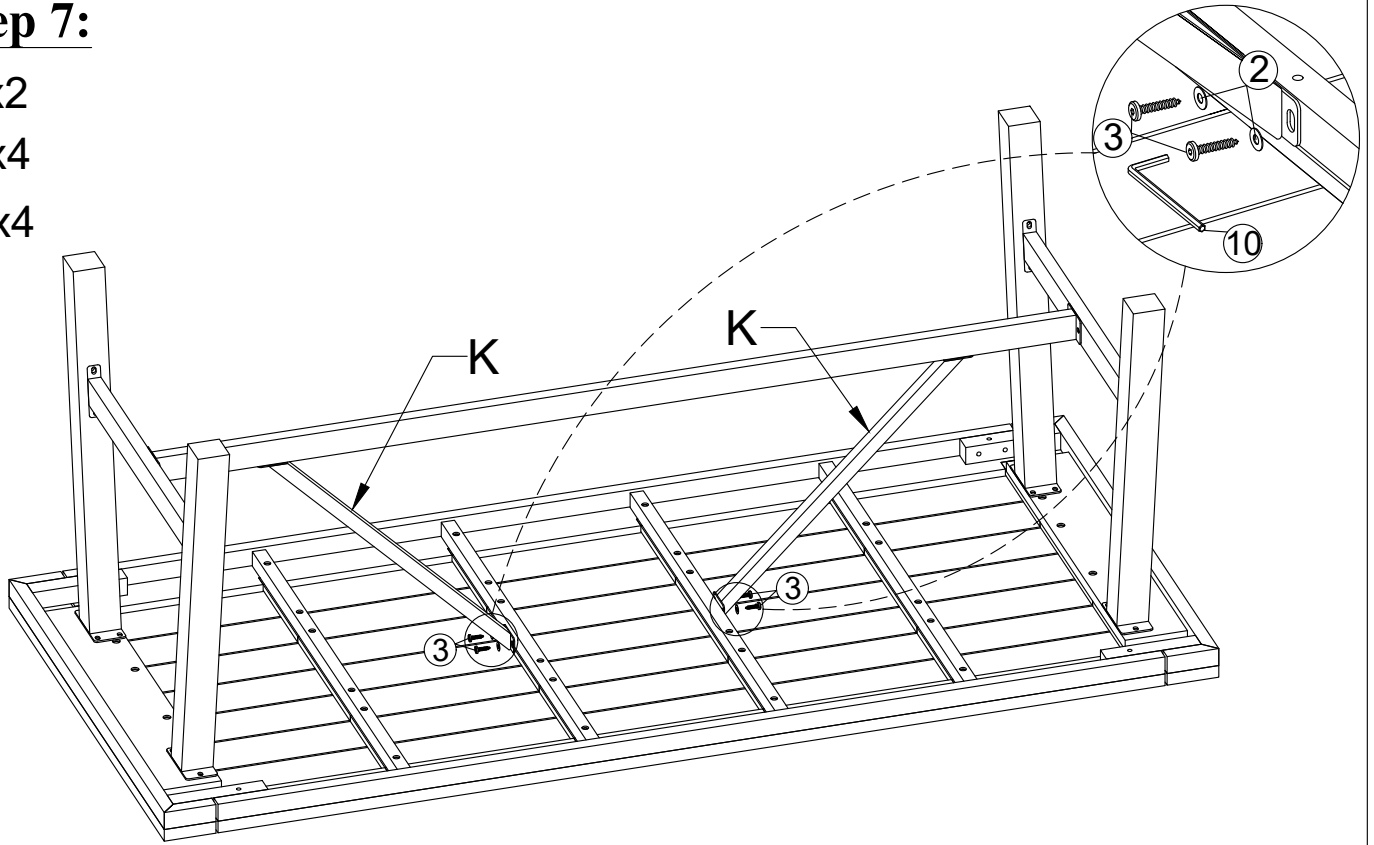


Step 7:

K x2

2 x4

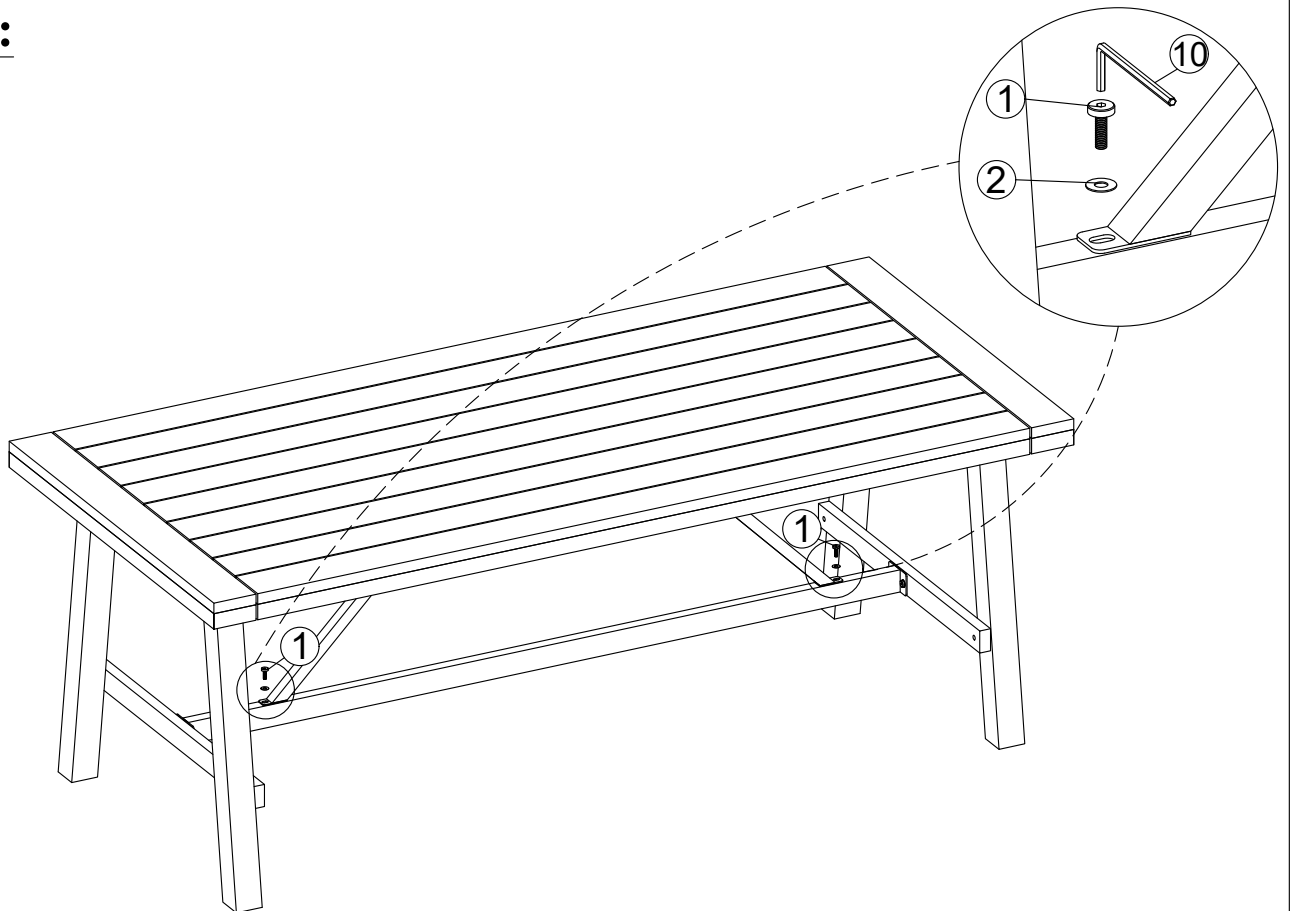
3 x4



Step 8:

1 x2

2 x2



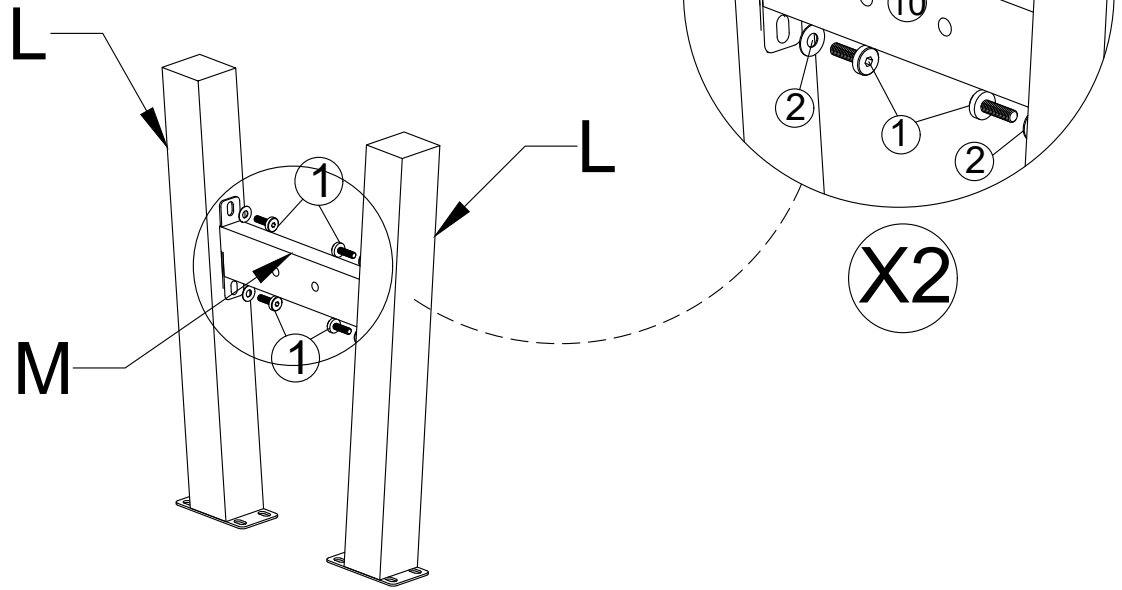
Step 9:

L x2

M x1

1 x4

2 x4

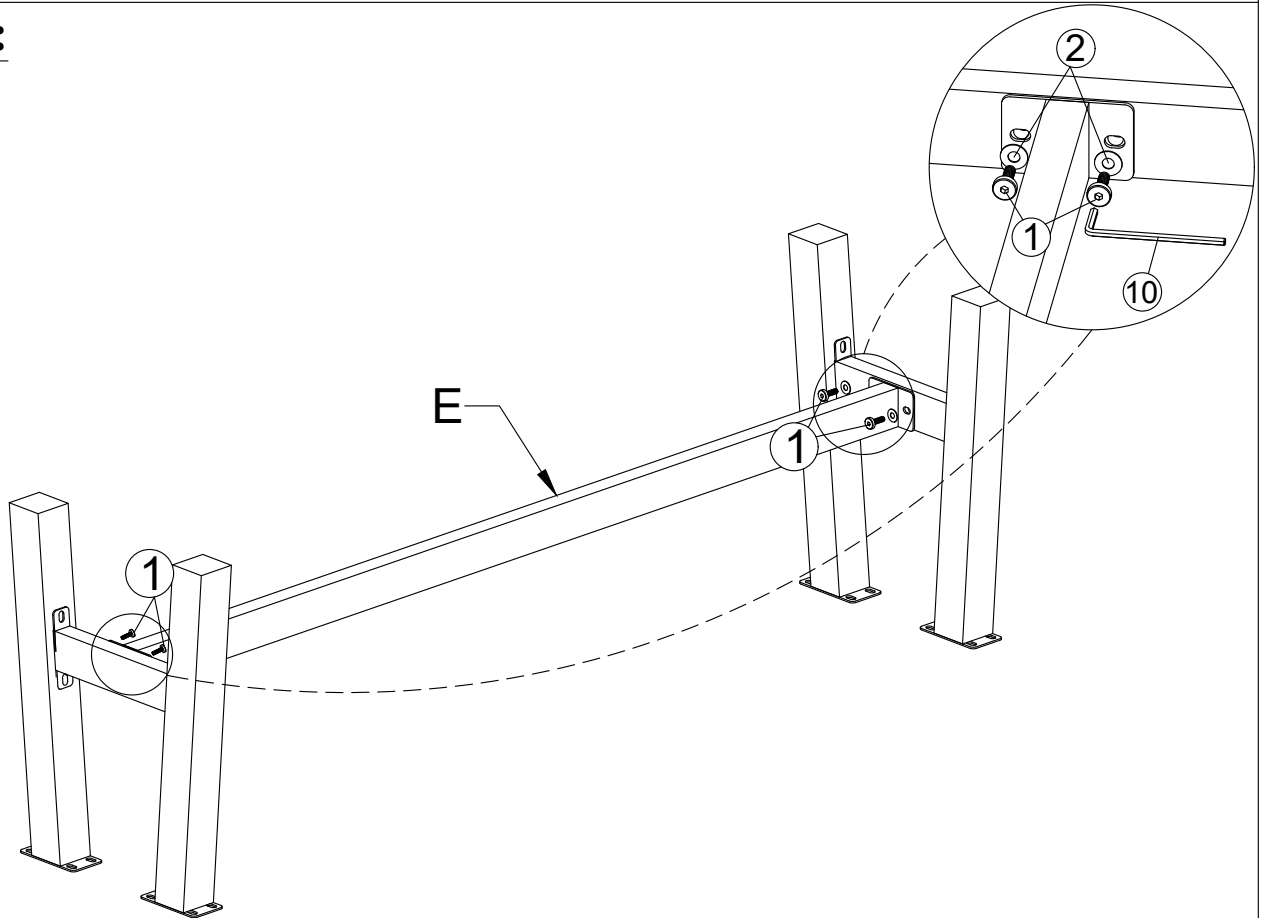


Step 10:

E x1

1 x4

2 x4

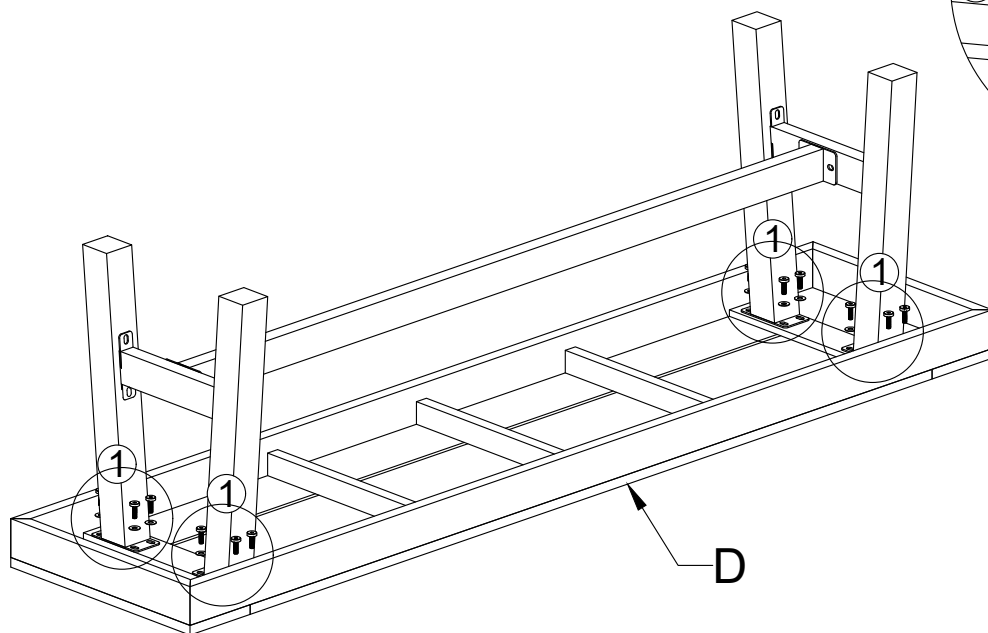


Step 11:

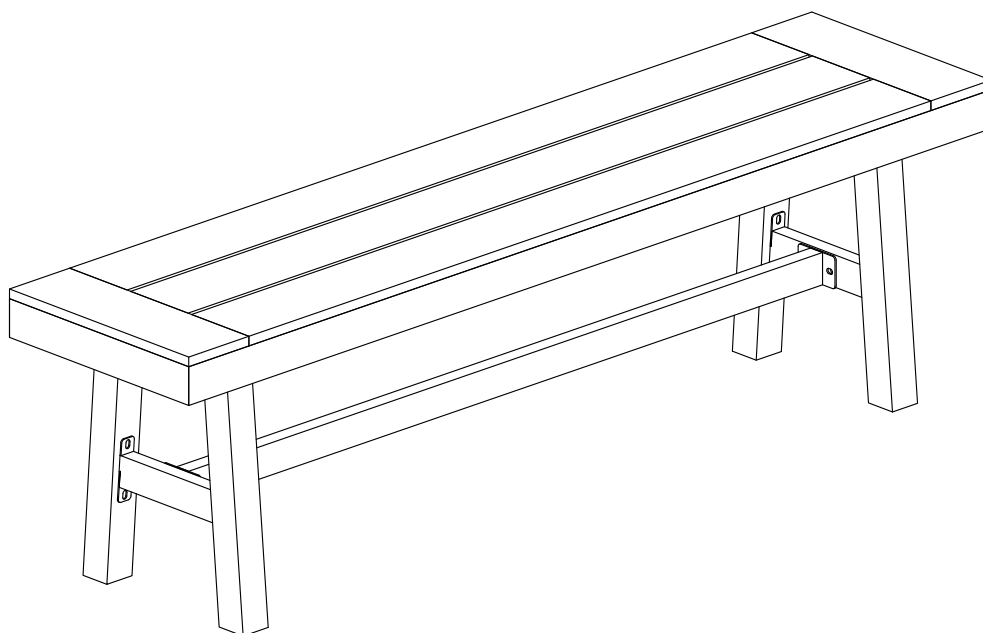
D x1

1 x16

2 x16



Step 12:



Put the Bench upright and make sure all legs are level, then firmly tighten Bolts with Allen Key (10).

Step 13:

S x1

T x1

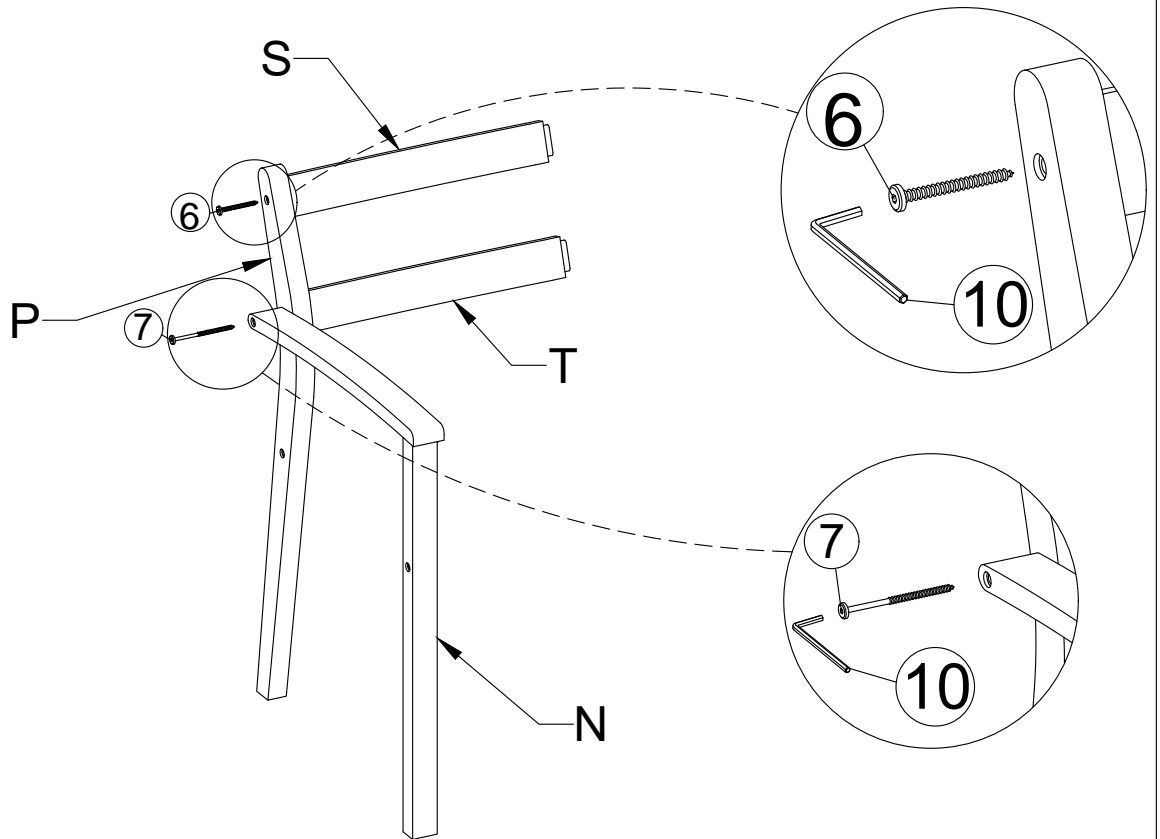
P x1

N x1

⑥ x1

⑦ x1

X5



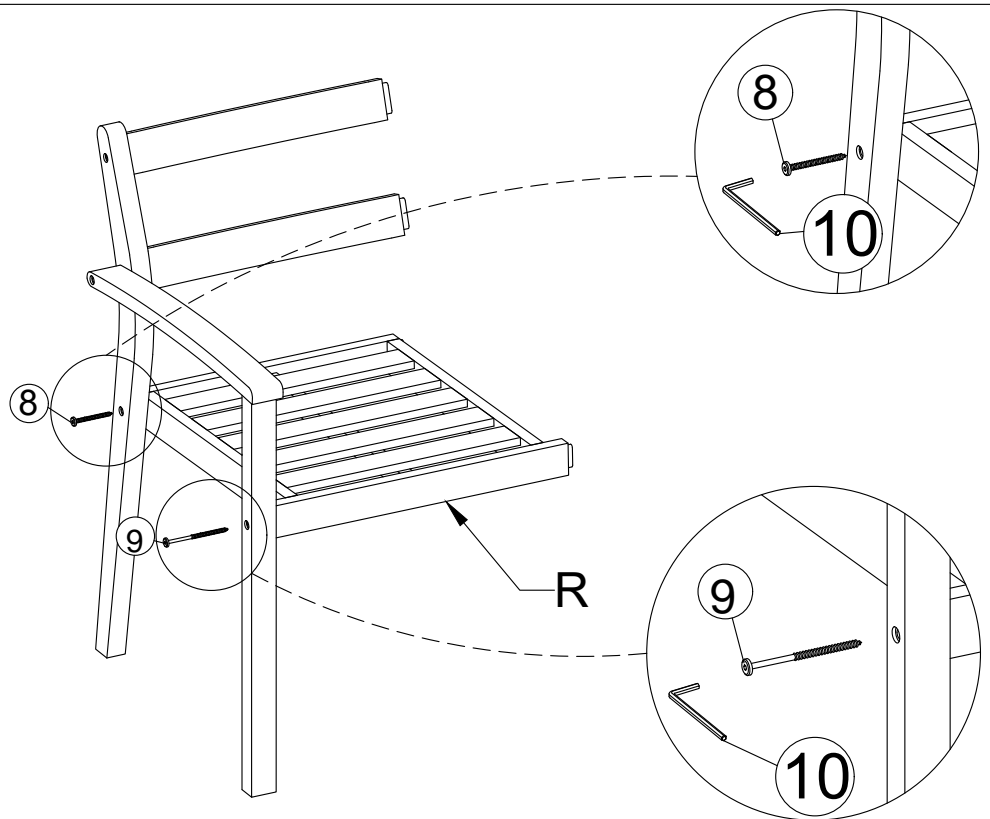
Step 14:

R x1

⑧ x1

⑨ x1

X5



Step 15:

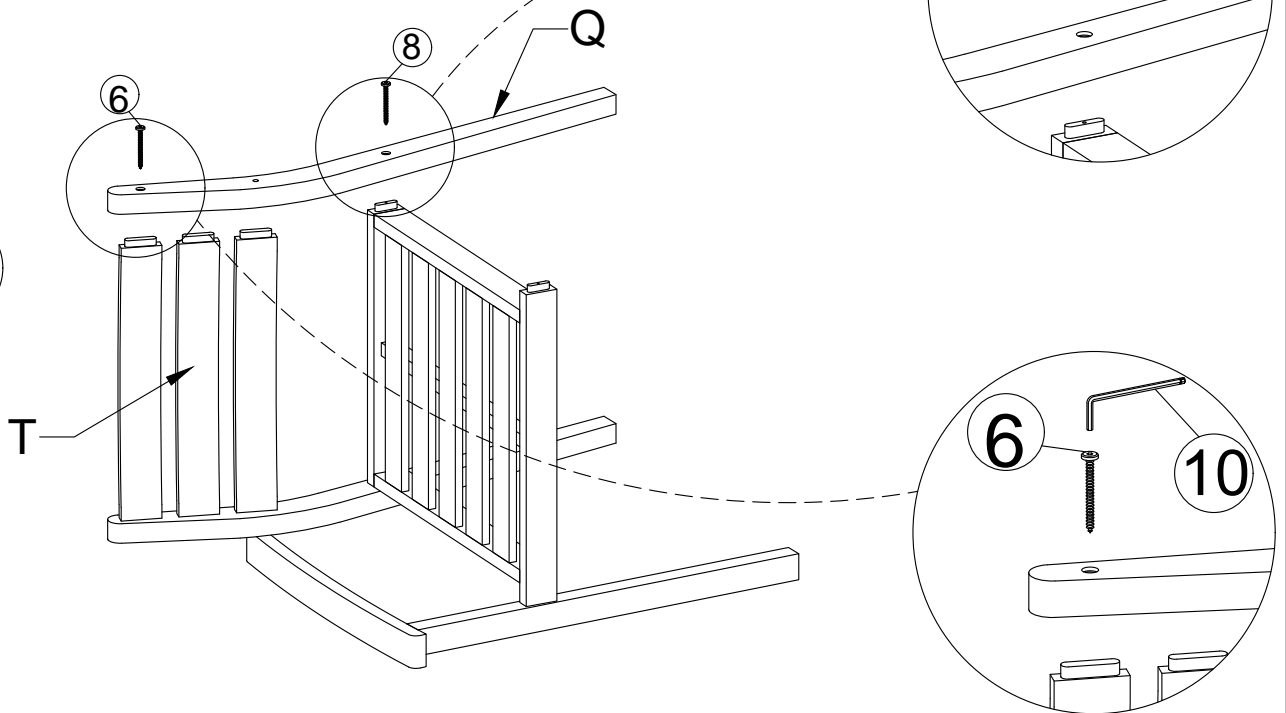
Q x1

T x1

6 x1

8 x1

X5



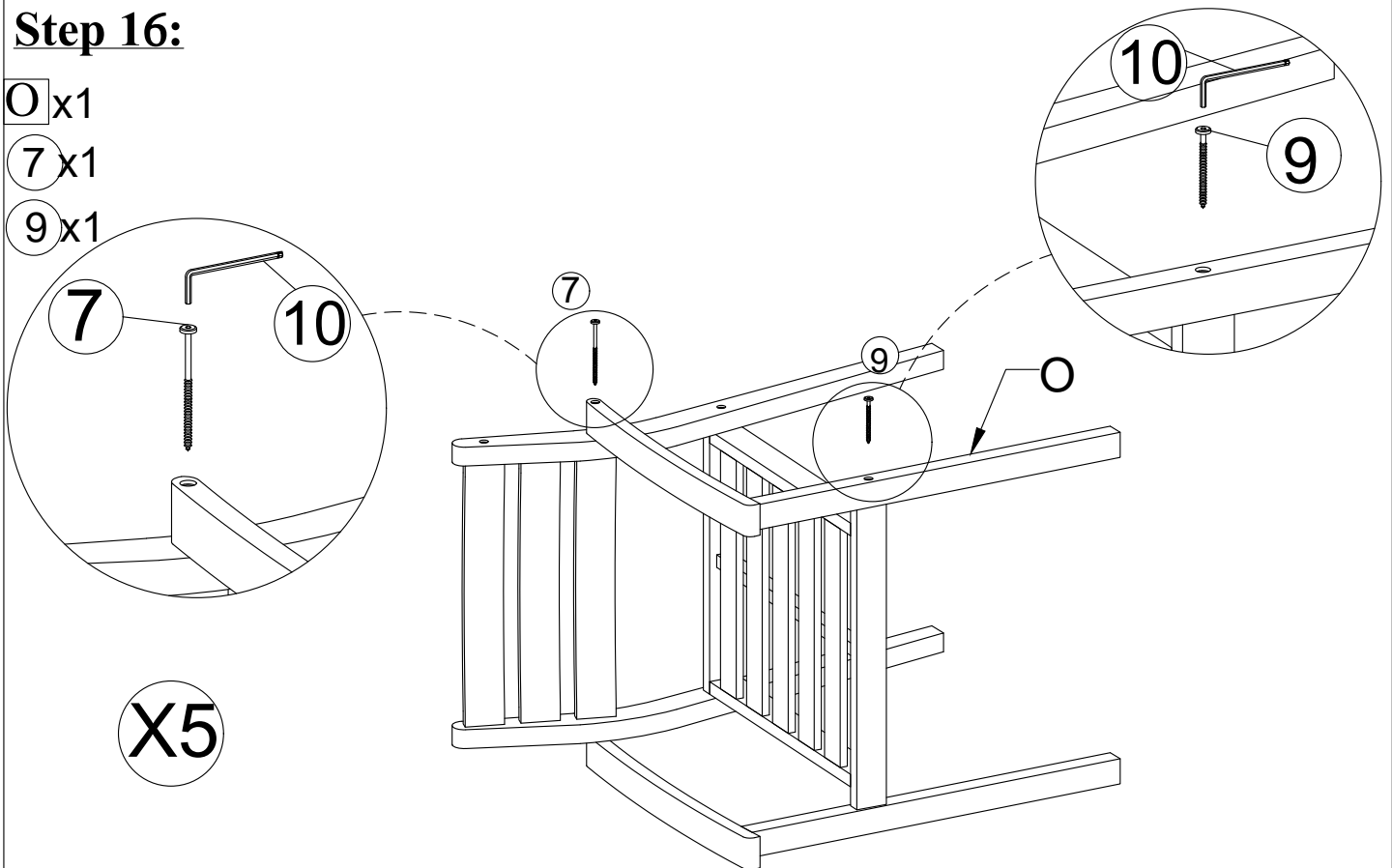
Step 16:

O x1

7 x1

9 x1

X5

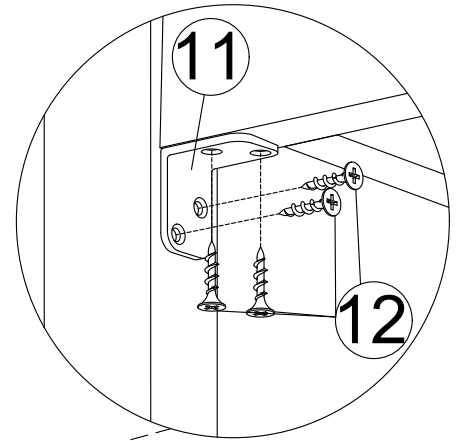
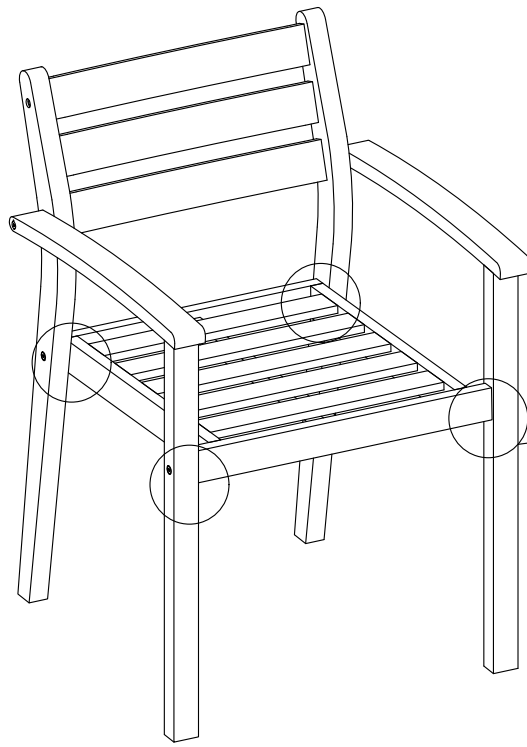


Step 17:

11 x4

12 x16

X5



Put the Chair upright and make sure all legs are level, then firmly tighten Bolts with Allen Key (10), Connect Pat Chair Leg (11) tighten Screw Bolt (12).

Step 18:

U x1

X5

