



CAUTION

This is NOT a permanent structure.

The canopy top should never be left on during periods of extended or heavy rain nor any inclement weather where high winds or wind gusts can occur.

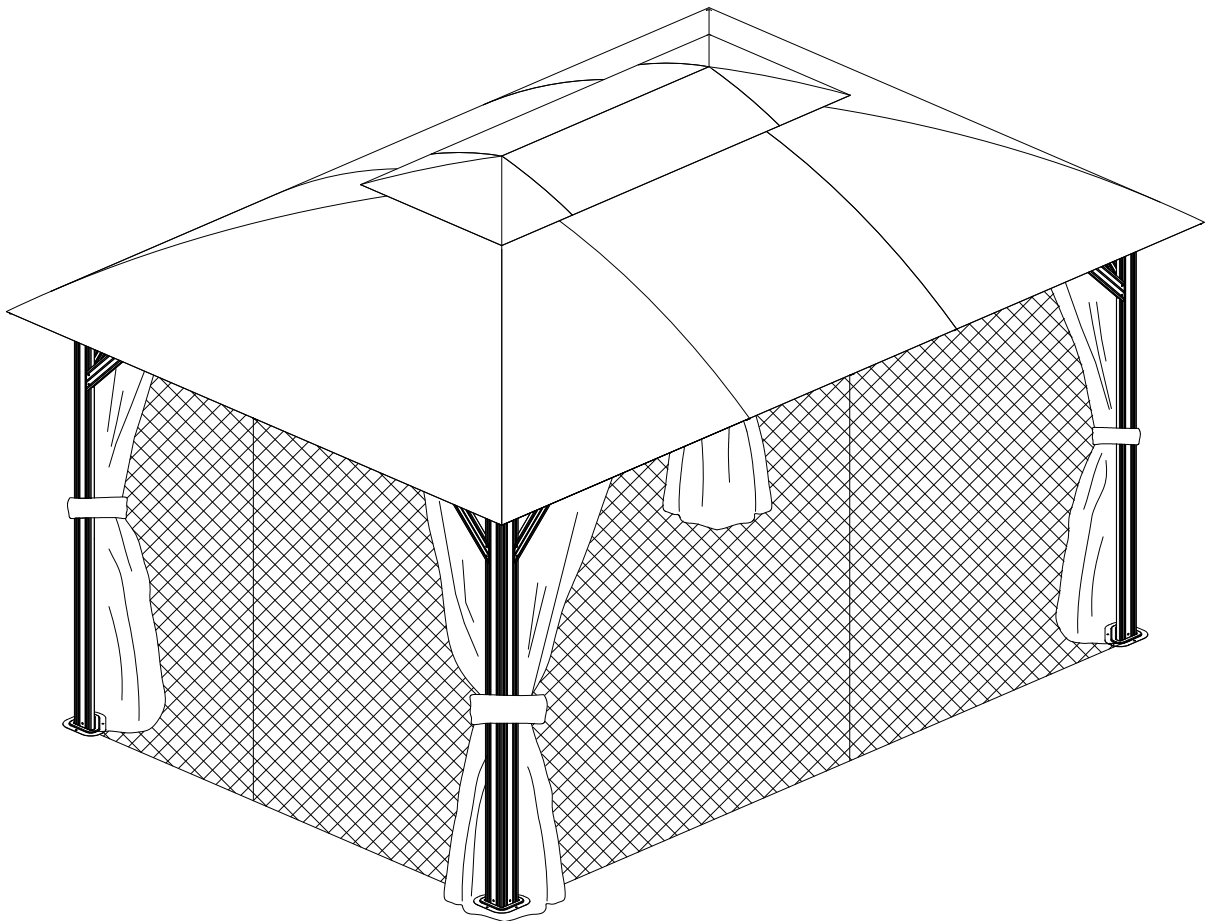
if left up, damage to the gazebo and surroundings can occur.

If you have questions or concerns.

Please contact us via email at service@domioutdoorliving.com

10'×14' Gazebo

ASSEMBLY MANUAL



MODEL#: LGCD1625

Missing part? Damaged? Contact us via email at

service@domioutdoorliving.com

www.domioutdoorliving.com

Pre-assembly



1. Two or more people are required for assembly.



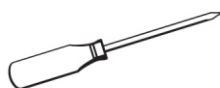
2. You will need one or more stepladders.



3. Wearing protective gloves is recommended.



4. You may need a safety hat.



5. Please use a Phillips screw driver.



6. For ease of construction, you may need a drill.



7. You may need a safety goggle.



8. Do not fully tighten screws prior to complete assembly.

Warning & Attention

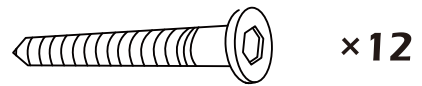
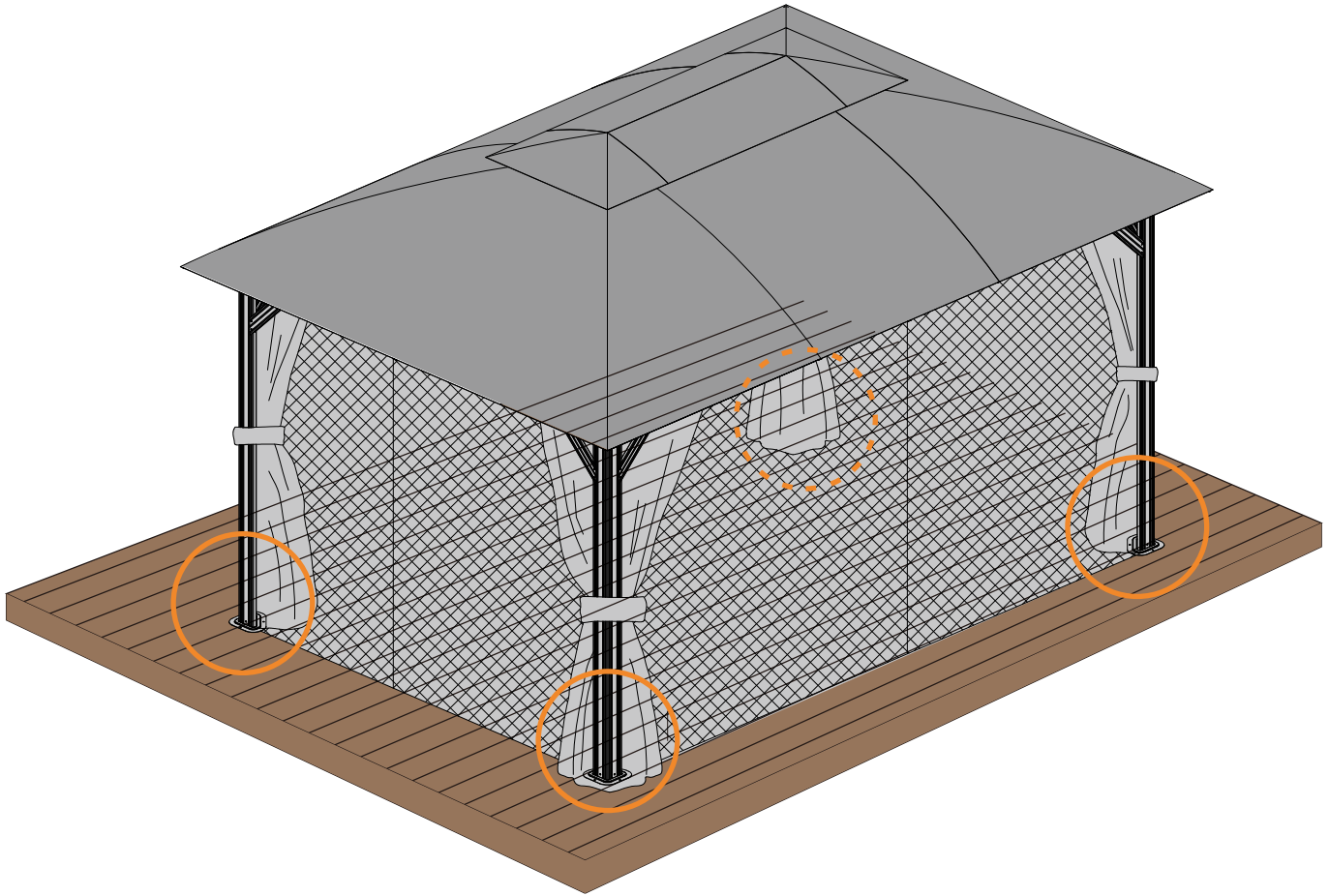
-Try to assemble this product on the flat ground, otherwise it is difficult to carry out;

-It would be much easier to assemble the product with three or more people;

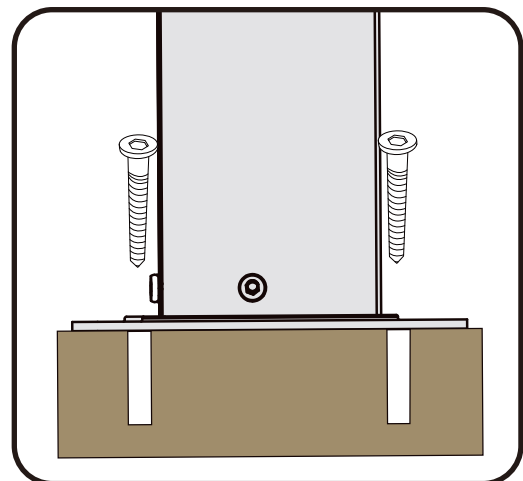
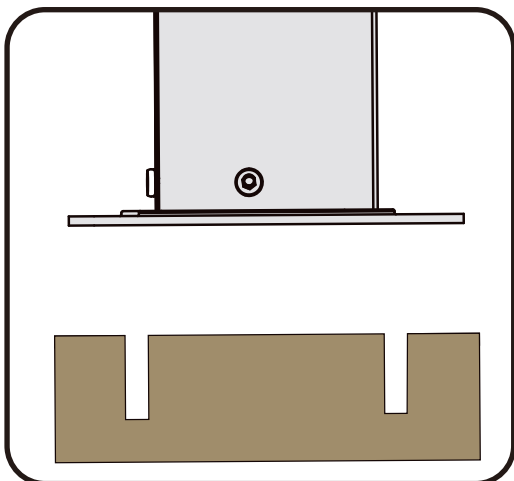
-After assembly, please check whether all screws are tightened, to prevent parts from falling apart.

▲ Use bolts to secure the frame to the ground to against the strong wind.

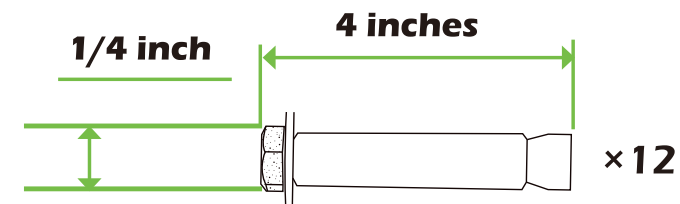
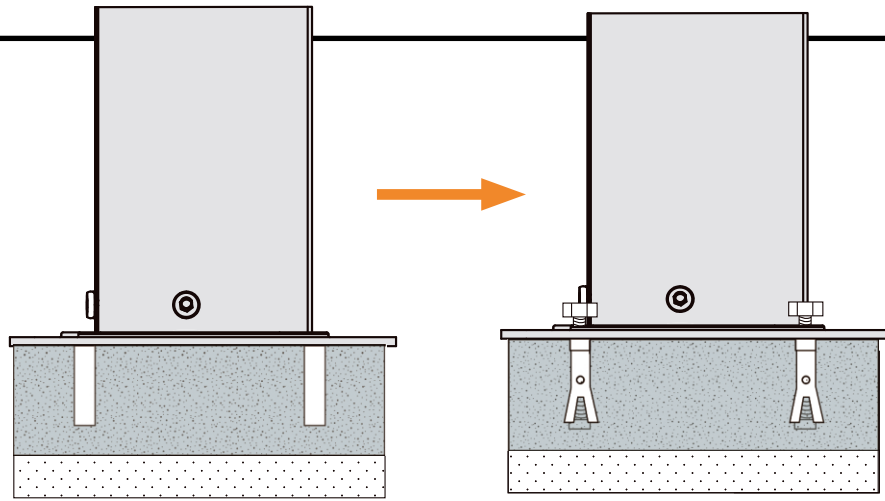
1



If the deck is hard wood and the depth of it is over 3 inch, you can use **5/16 in. x4 in. Structural Wood Screw** to mount the gazebo.

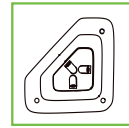
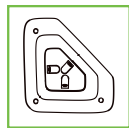
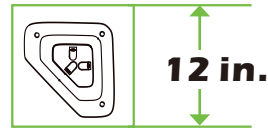
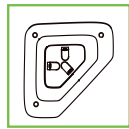


2



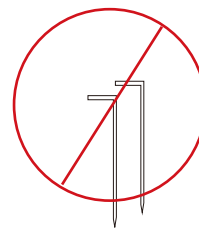
If the ground is concreted and the depth of it is over 3 inch, you can use 1/4 inch expansion bolts to mount the gazebo

3



Or you can make a concrete footing for gazebo, **12 x 12 x 12 inches** is recommended. use expansion bolts to mount the pergola like ② shows.

IMPORTANT:
Anchor is not recommended

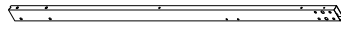




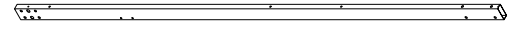
A 4x Post



C 2x Short Beam



C1 2x Short Beam



D 2x Long Beam



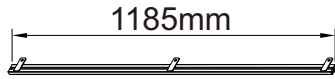
D1 2x Long Beam



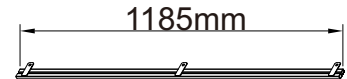
E 4x Corner Solidifying Bar



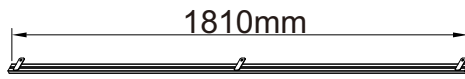
E1 4x Corner Solidifying Bar



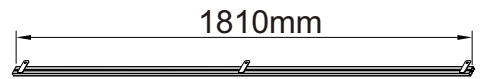
F 2x Track



F1 2x Track



F2 2x Track



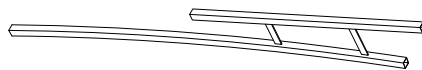
F3 2x Track



G 2x Middle Roof Tube



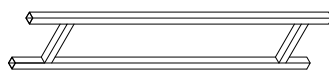
G1 6x Middle Roof Tube



H 4x Corner Roof Tube



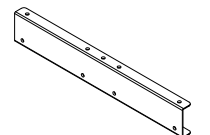
H1 4x Corner Roof Tube



J 2x Roof Support Tube



B 4x Post Base



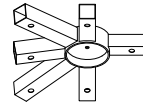
M 4x Joint Bar



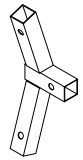
N 4x Bracket



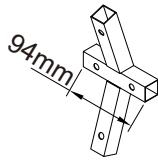
N1 8x Bracket



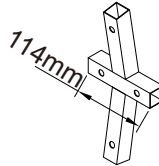
K 2x Roof Hub



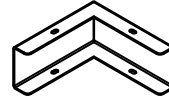
K1 2x Roof Connector



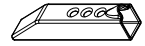
K2 1x Roof Connector



K3 1x Roof Connector



P 4x Corner Cover



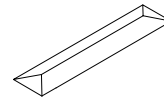
R 12x Canopy Adjustment Kit



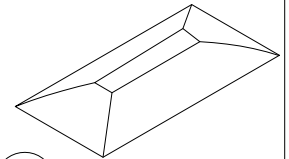
S 2x Top Hook



T 112x Plastic Hook



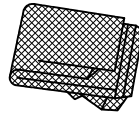
U 1x Vent Cover



U1 1x Main Canopy



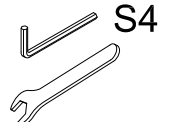
Y 4x Curtain



Y1 4x Mosquito Net



Z 8x Stake



1 1x Wrench



M6x16

2 136x Bolts



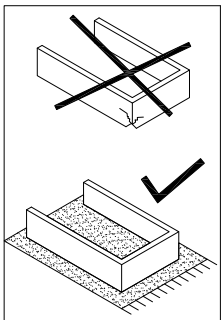
M6x35

3 12x Bolts and Nuts



ST5x16

4 16x Self-tapping Bolts



2



A 4x



B 4x



N 4x

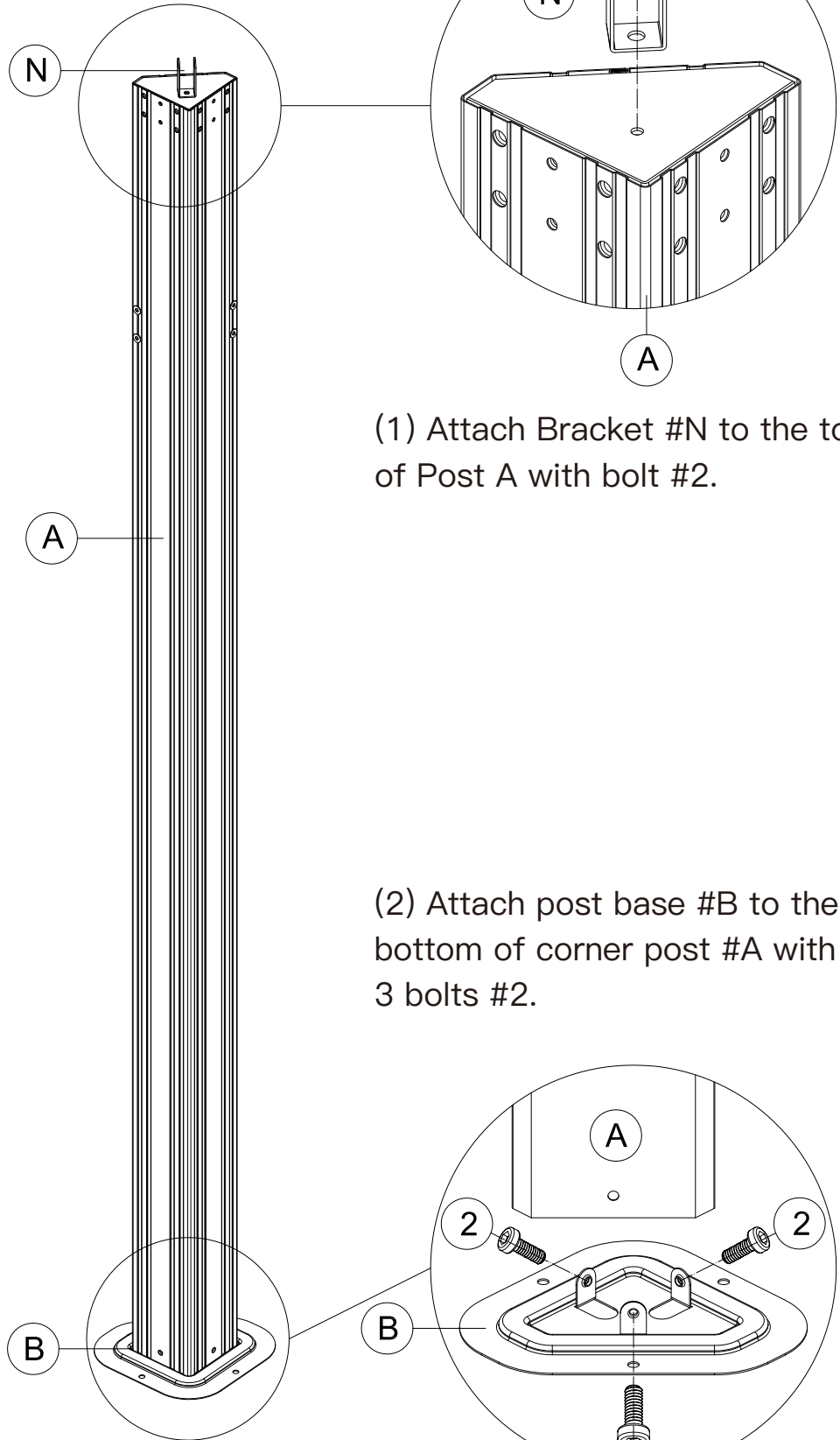


1 1x



M6x16

2 16x



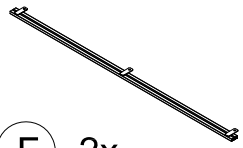
(1) Attach Bracket #N to the top of Post A with bolt #2.

(2) Attach post base #B to the bottom of corner post #A with 3 bolts #2.

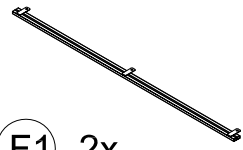
X4

3

(3) Repeat the above procedures for the other three posts.



F 2x

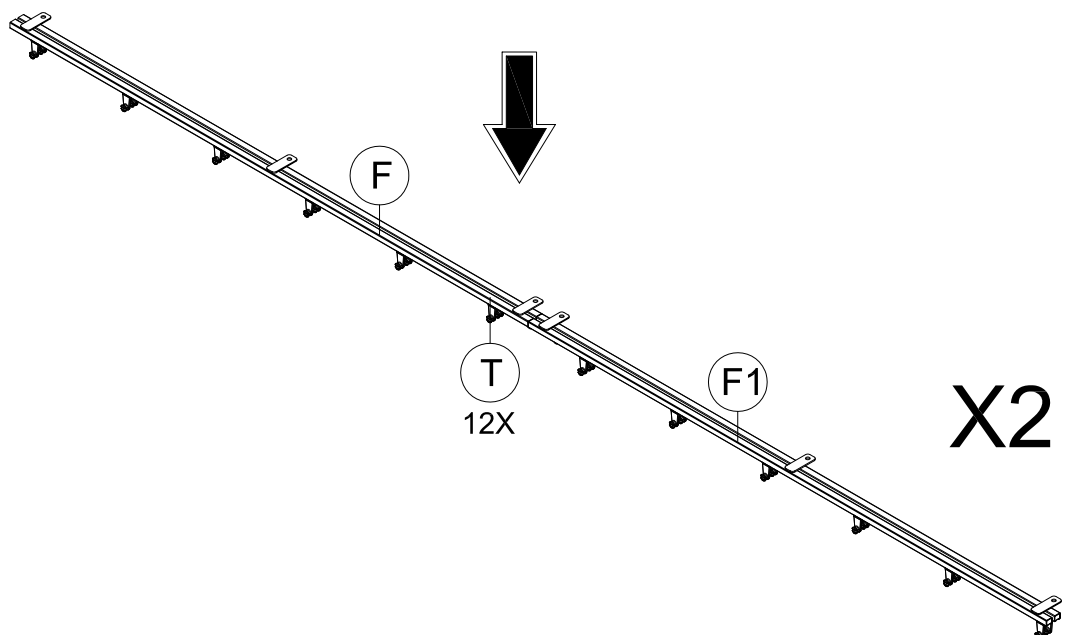
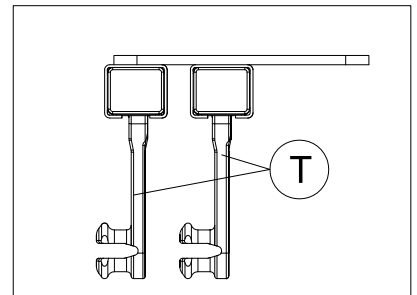
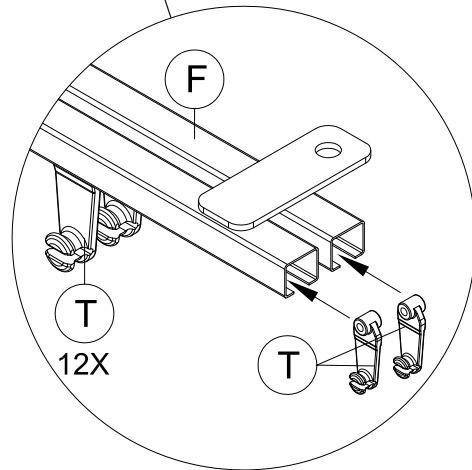
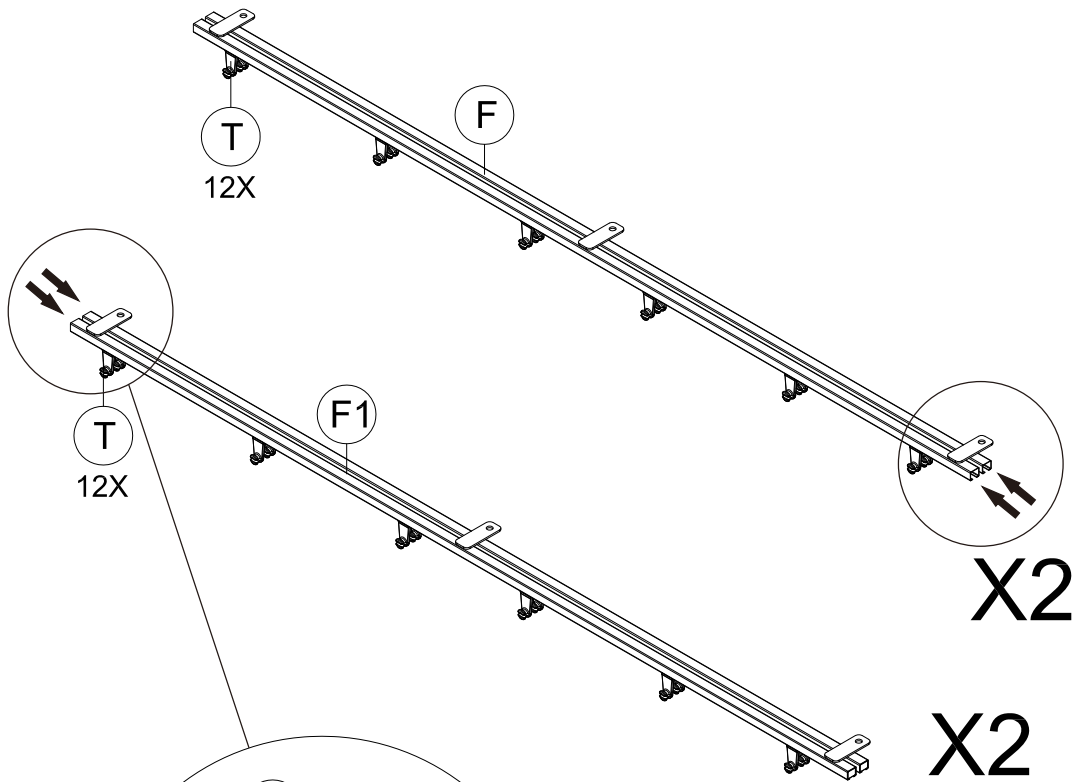


F1 2x



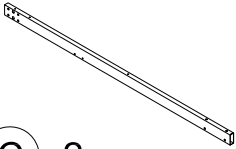
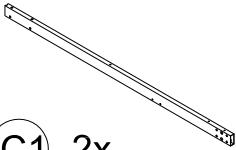
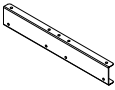
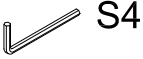
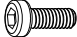
T 48x

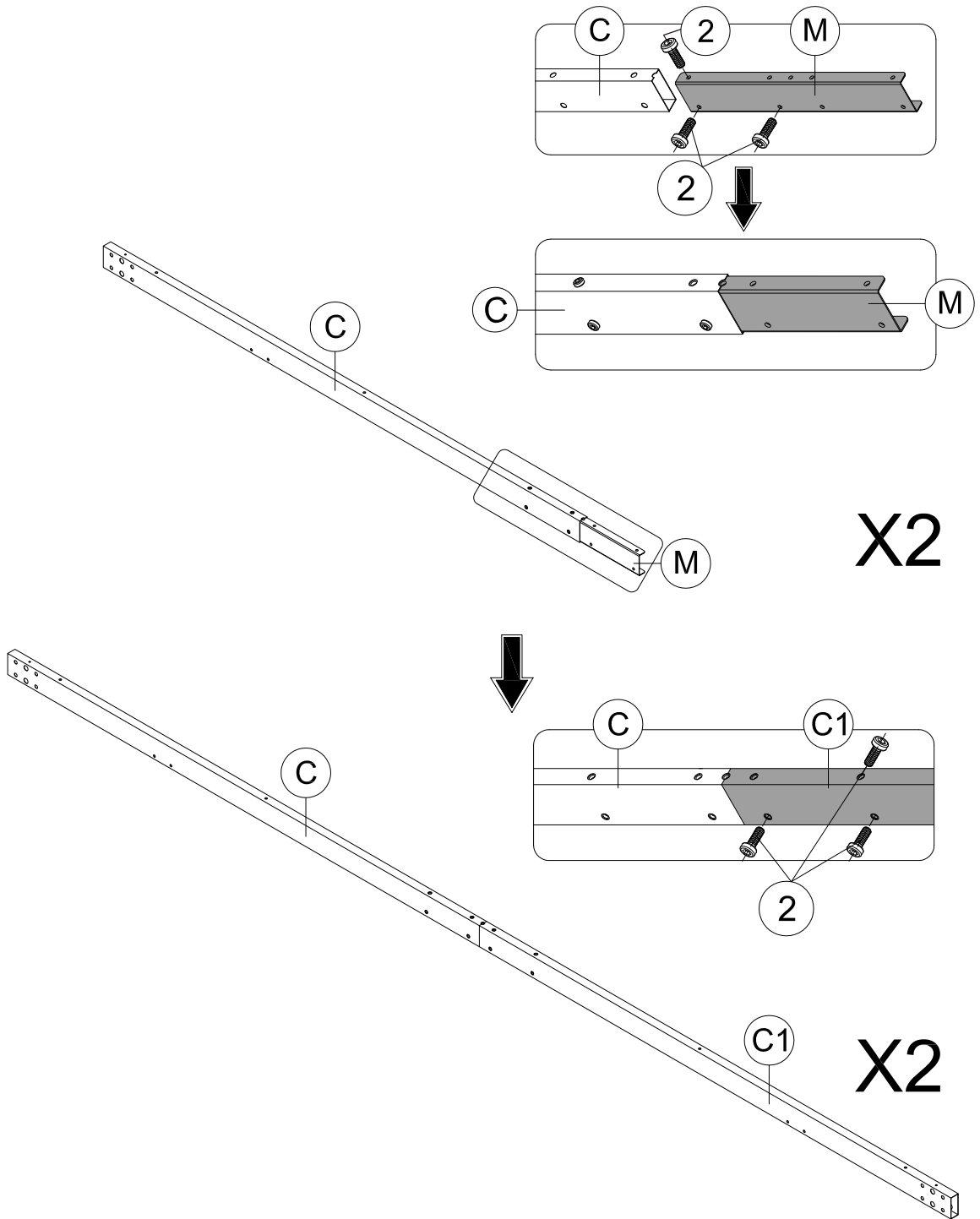
(1) Slide the plastic hooks to the double-rail track #F & F1 (each slot should slide 6 plastic hooks).



4

(2) Repeat the above procedures for another track #F & F1.

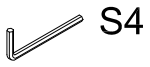
-  **C** 2x
-  **C1** 2x
-  **M** 2x
-  **S4**
- 1** 1x
-  **M6x16**
- 2** 12x



- (1) Insert Part #M into part #C, and secure with 3 bolts #2.
- (2) Insert the other side of part #M into part #C1 and secure with 3 bolts #2.
- (3) Repeat the above procedures for another short beam #C & C1.



N1 2x

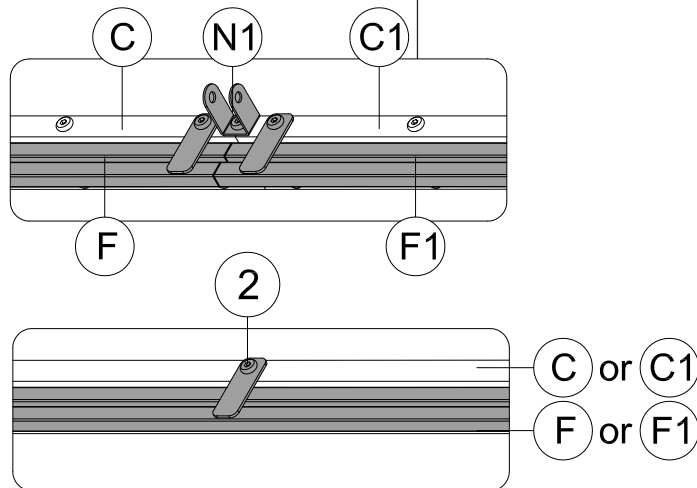
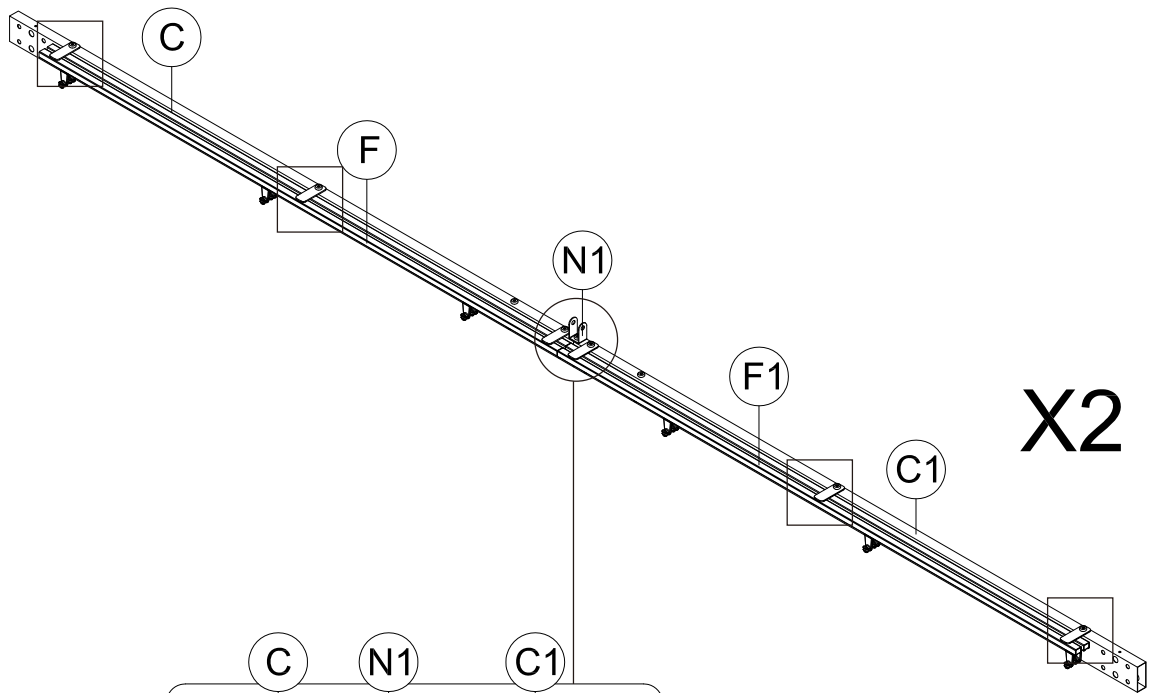


1 1x

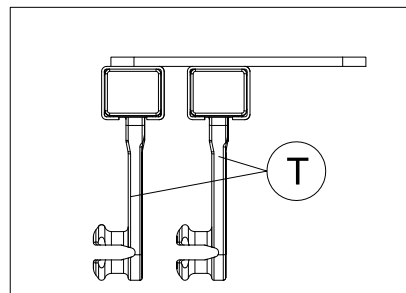
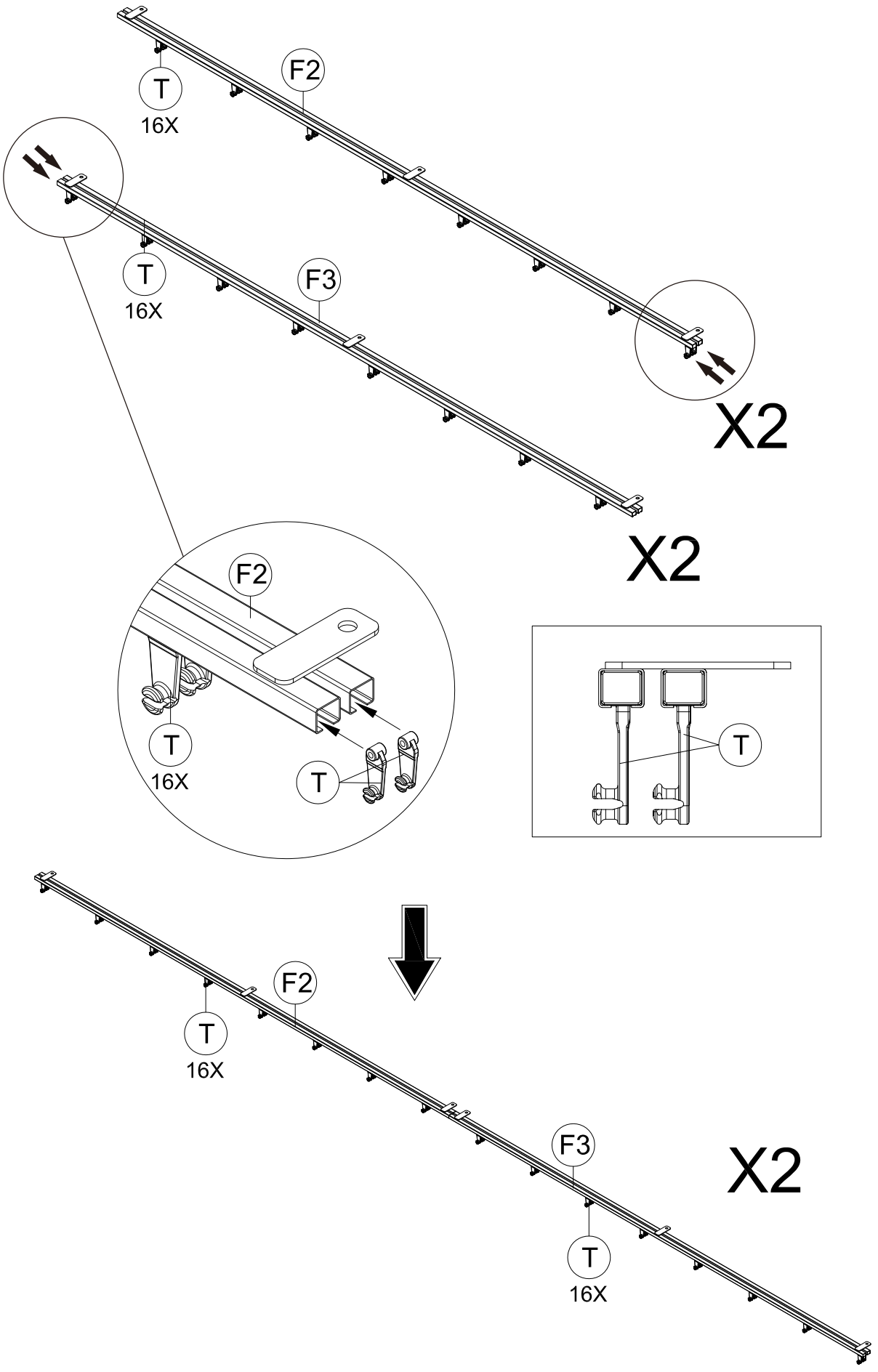
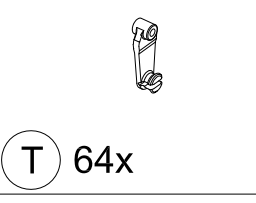
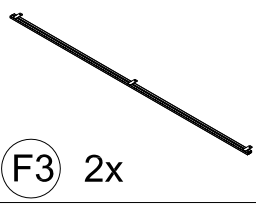
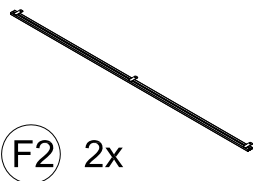


M6x16

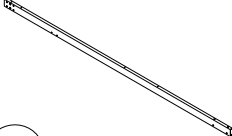
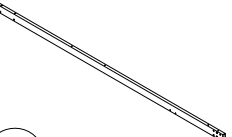
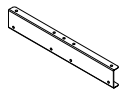

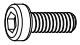
2 14x

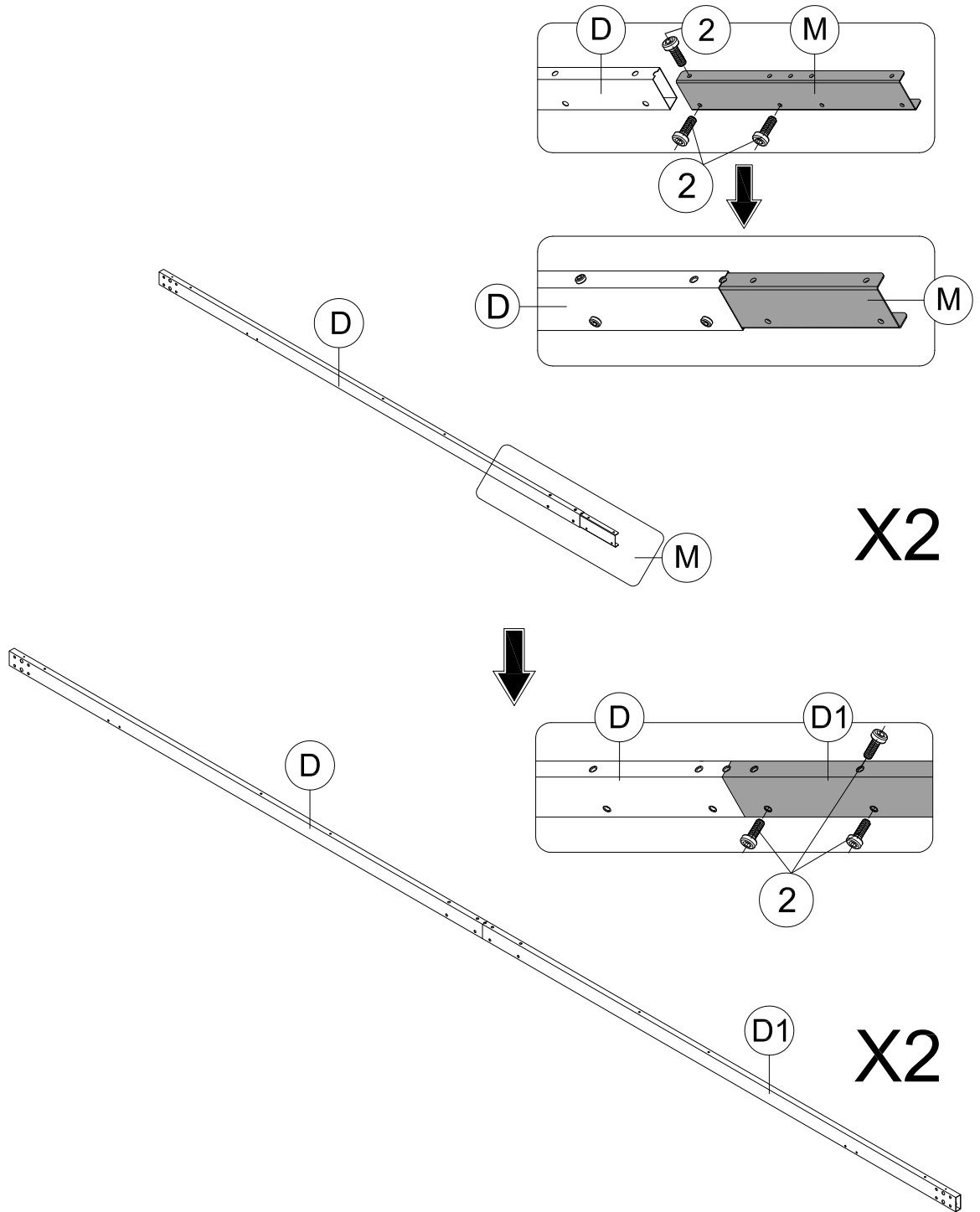


- (1) Use 6 bolts #2 to secure track #F & F1 to the short beam #C & C1.
- (2) Attach Bracket #N1 to the joint of #C & C1 with bolt #2.
- (3) Repeat the above procedures for another short beam #C & C1.



- (1) Slide the plastic hooks to the double-rail track #F2 & F3 (each slot should slide 8 plastic hooks).
- (2) Repeat the above procedures for another track #F2 & F3.

-  **D** 2x
-  **D1** 2x
-  **M** 2x
-  **S4** 1x
-  **M6x16** 12x



- (4) Insert Part #M into part #D, and secure with 3 bolts #2.
- (5) Insert the other side of part #M into part #D1 and secure with 3 bolts #2.
- (6) Repeat the above procedures for another long beam #D & D1.



N1 6x

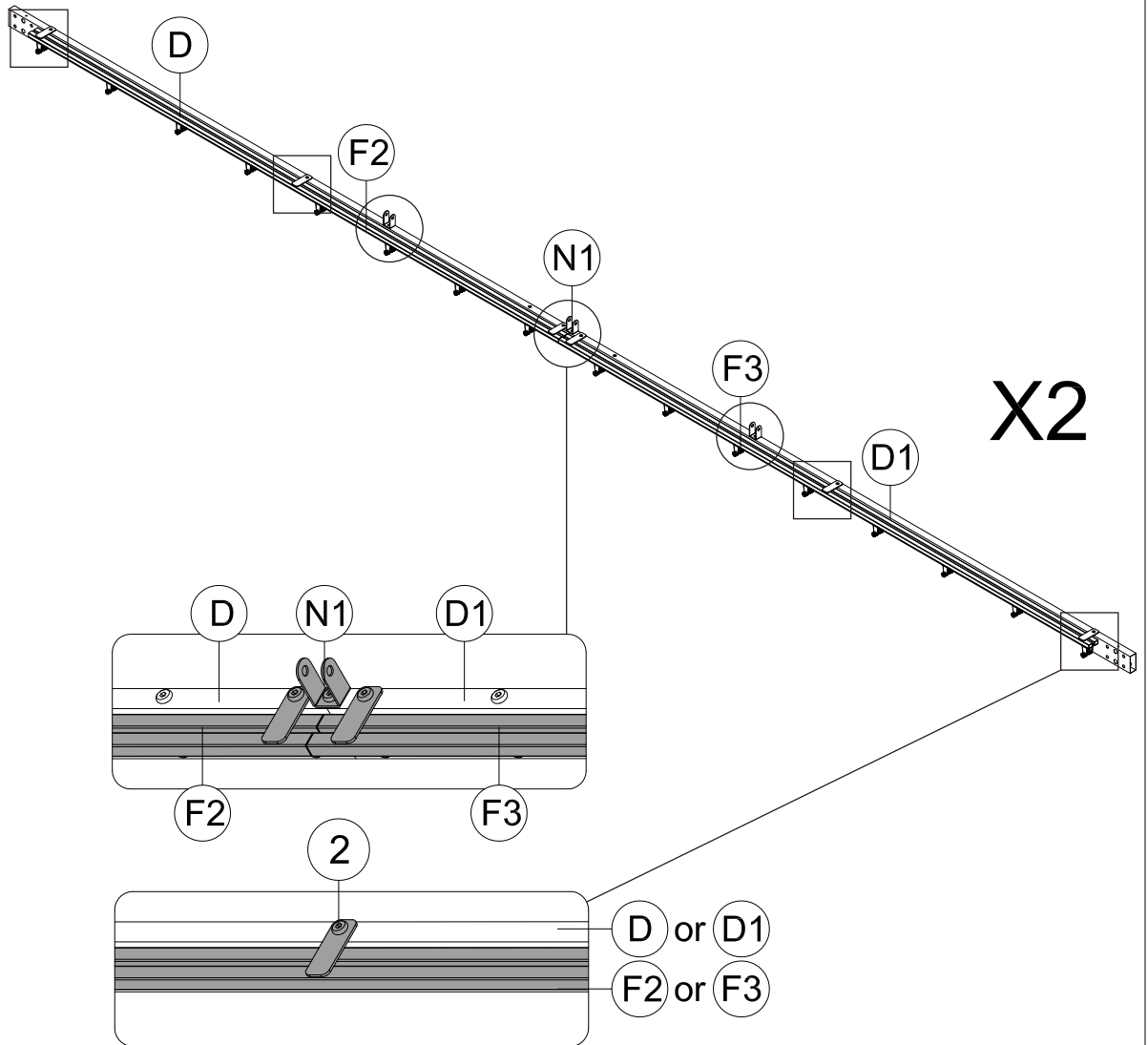


1 1x



M6x16

2 18x



(4) Use 6 bolts #2 to secure track #F2 & F3 to the long beam #D & D1.

(5) Attach 3 Bracket #N1 to the long beam #D & D1 with 3 bolts #2.

(6) Repeat the above procedures for another long beam #D & D1.

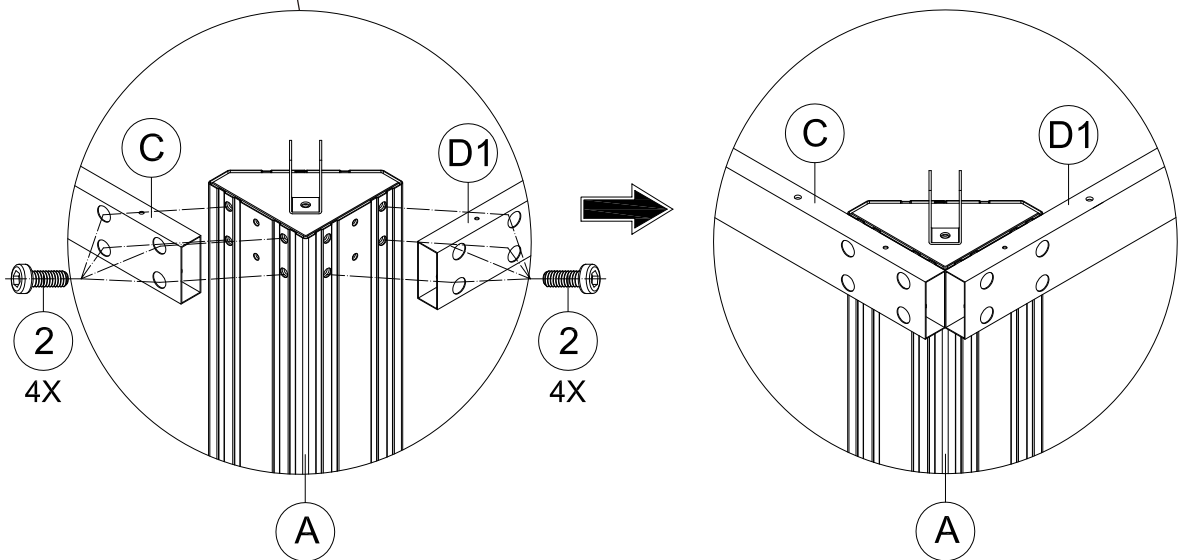
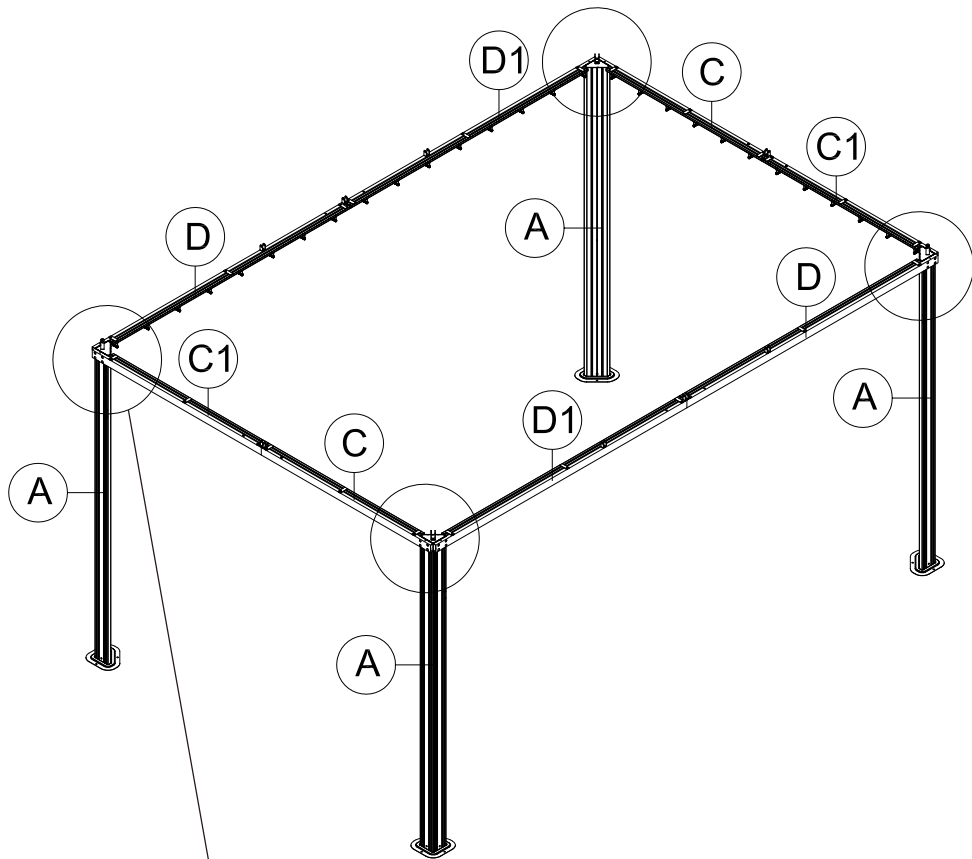
✓ S4

1 1x



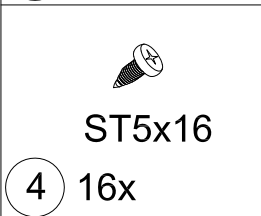
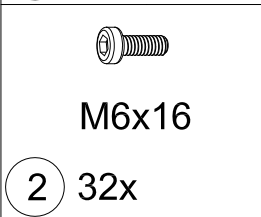
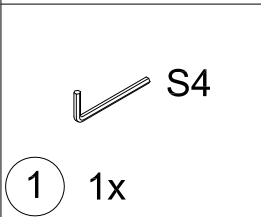
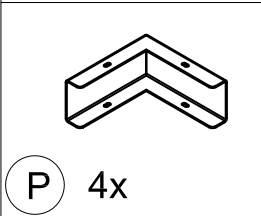
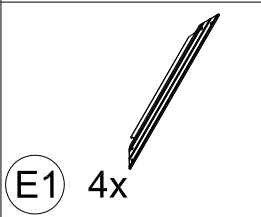
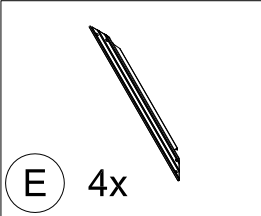
M6x16

2 32x

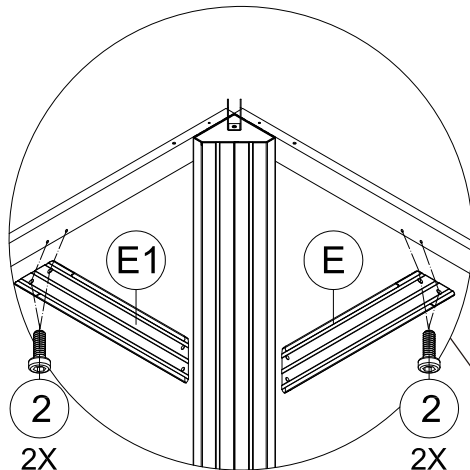


(1) Connect part #C and #D1 to post #A with 8 Bolts #2.
(From Outside)

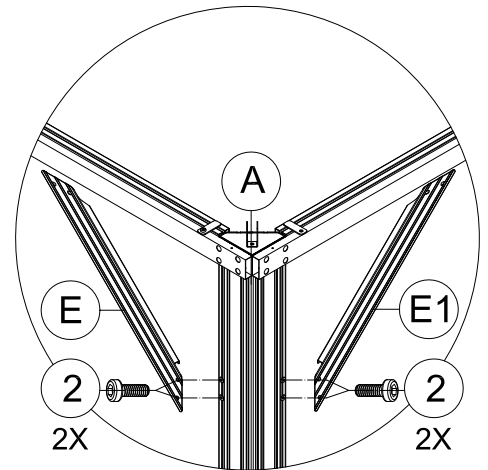
(2) Repeat the above procedures to assemble the other
3 corners.



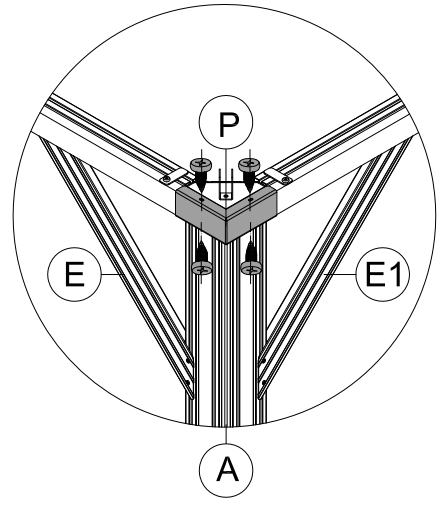
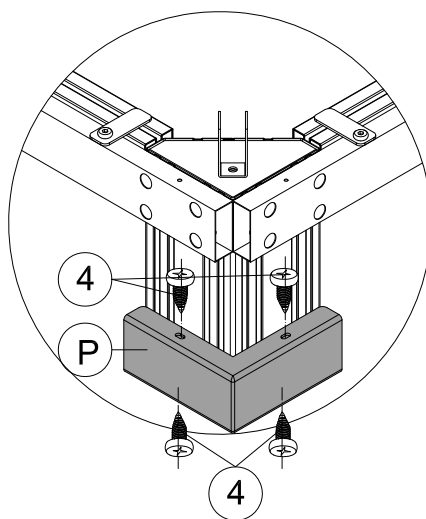
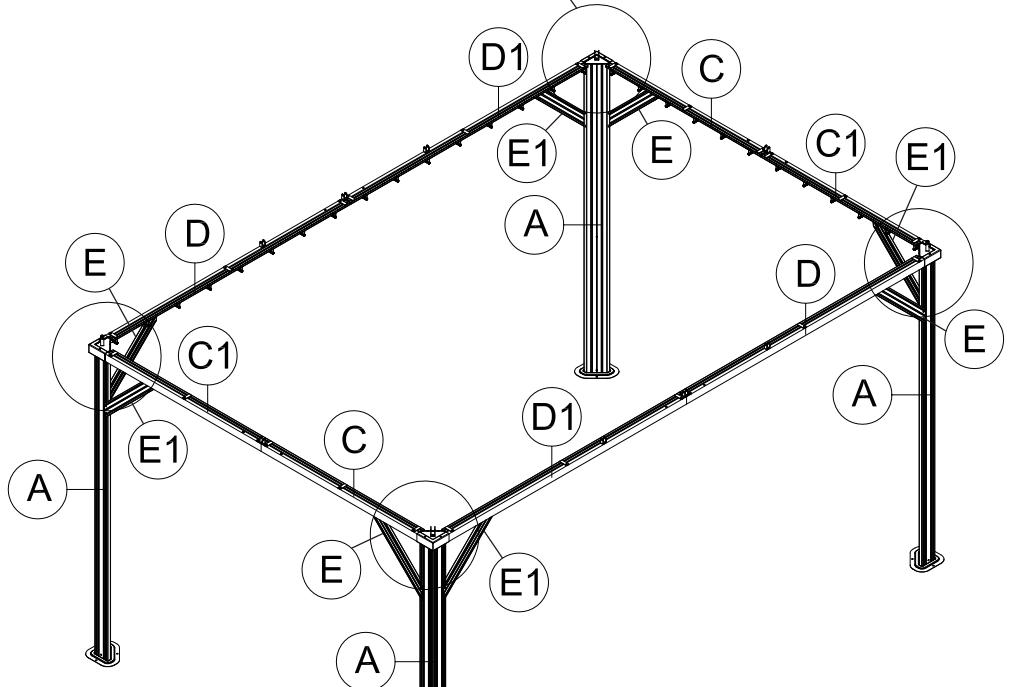
- (1) Affix part #E & #E1 to the frame with 8 bolts #2.
- (2) Repeat the above procedures to assemble the other 3 corners.



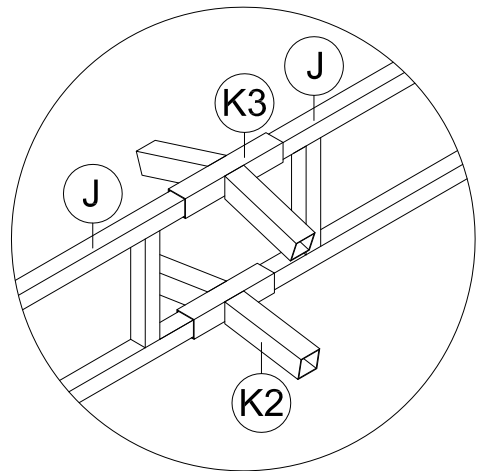
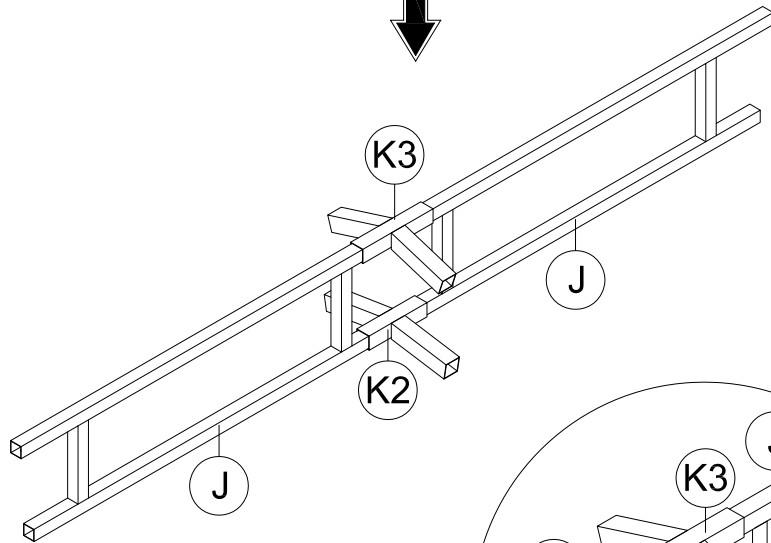
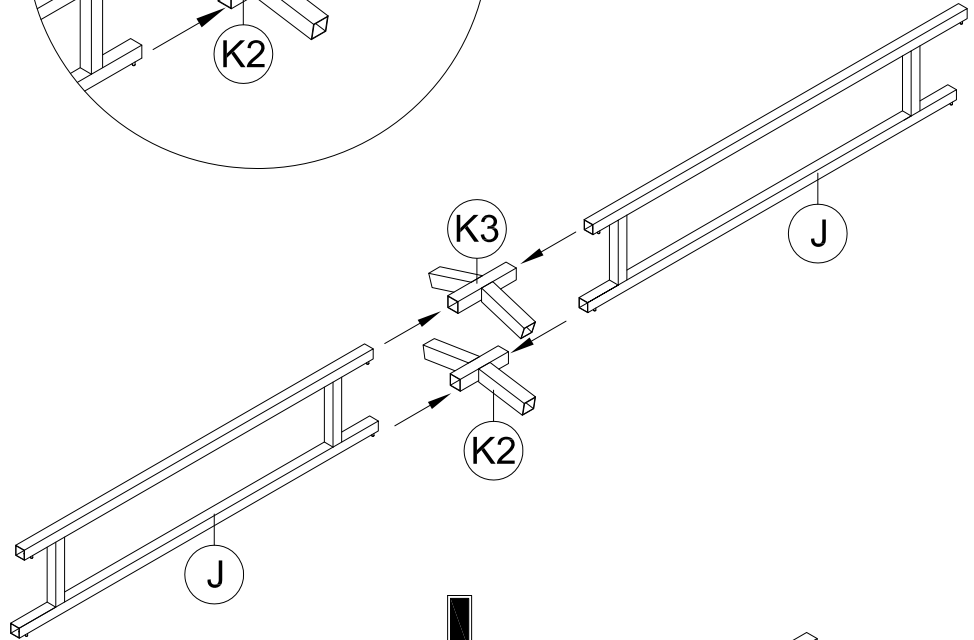
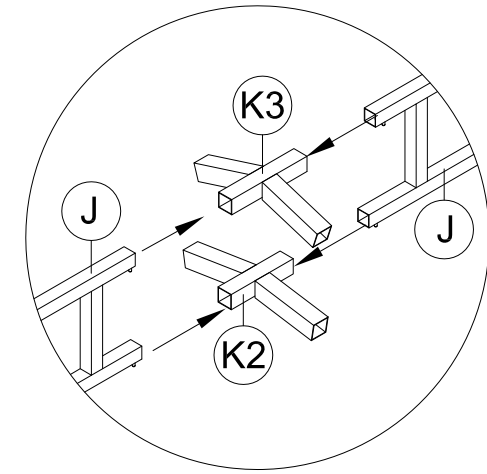
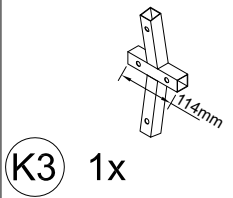
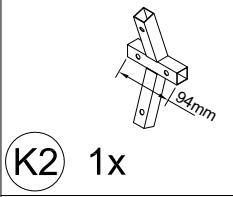
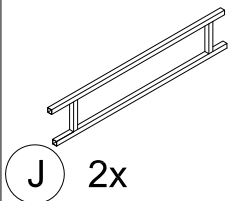
Inside View



Outside View

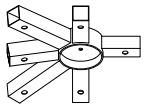


- (3) Attach the corner with corner cover #P.
- (4) Secure with 4 Self-tapping bolts #4.
- (5) Repeat the above procedures to assemble the other 3 corners.



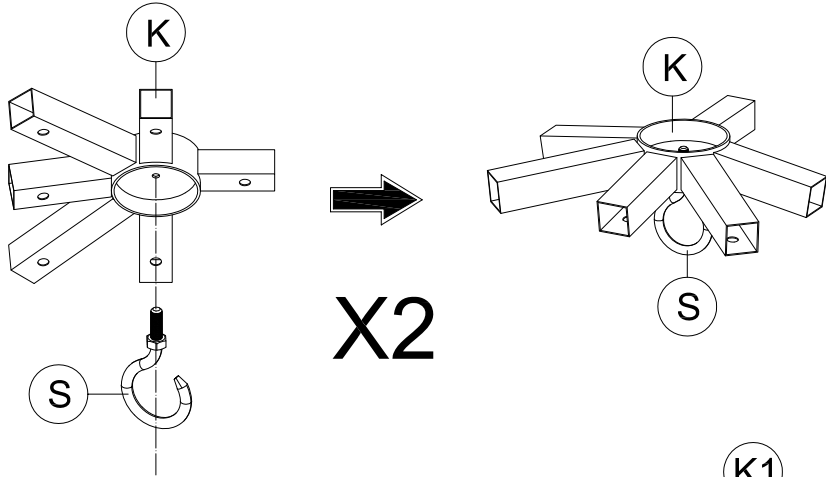
Connect 2 part #J with part #K3 & K2.

⚠ Pay attention to the mounting position of K2 & K3.

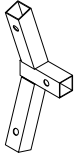


(1) Secure 2 top hooks #S to Part #K.

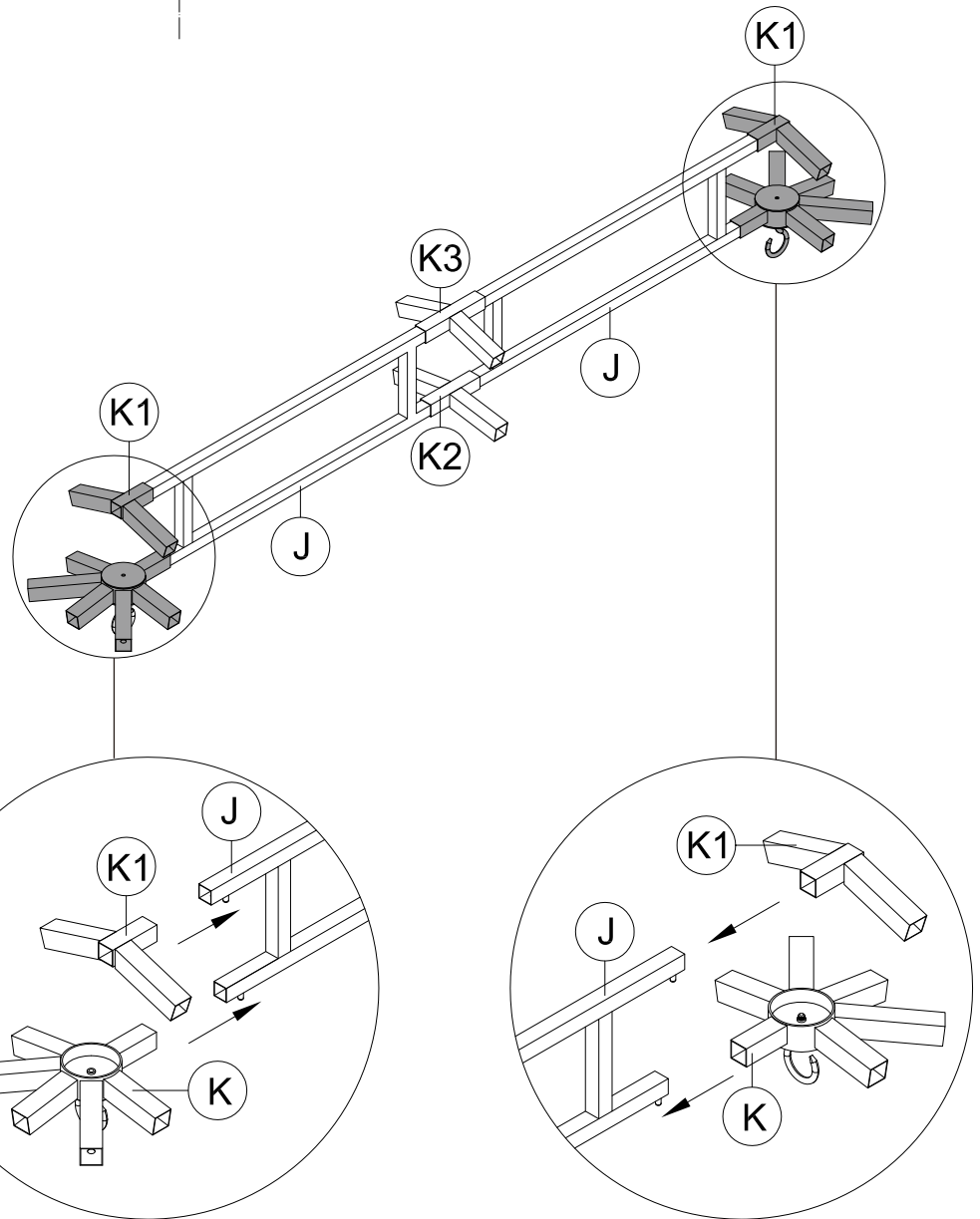
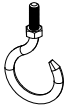
(K) 2x



(K1) 2x



(S) 2x



(2) Connect 2 part #J with 2 part #K1 & K.

Note: Each of the load-bearing capacity of the top hook shall not exceed 8 lbs.



H 4x



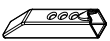
H1 4x



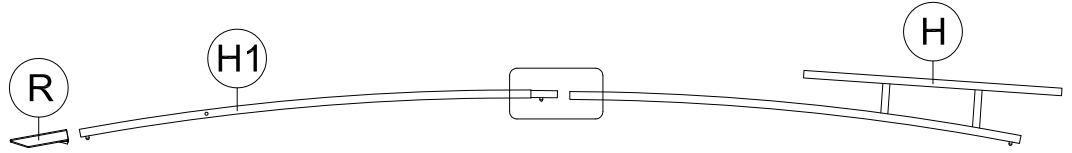
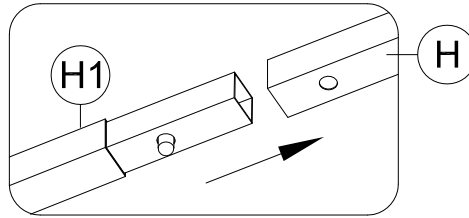
G 2x



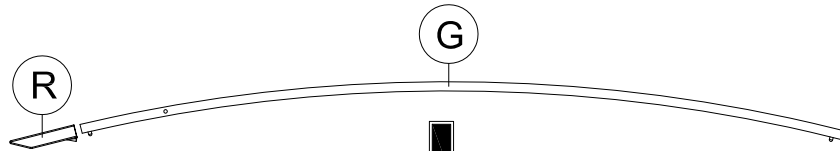
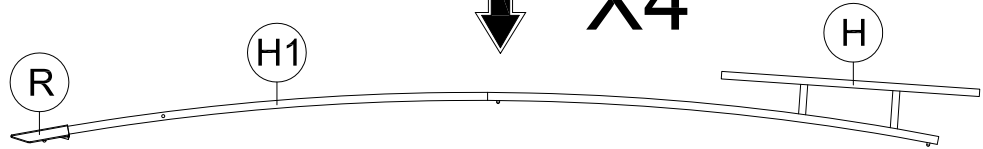
G1 6x



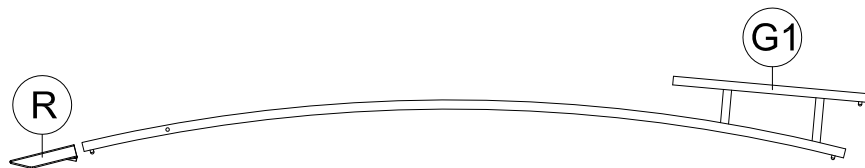
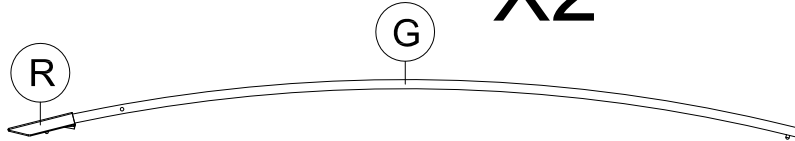
R 12x



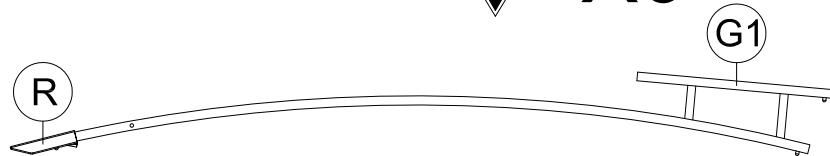
X4



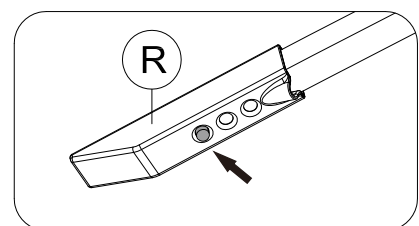
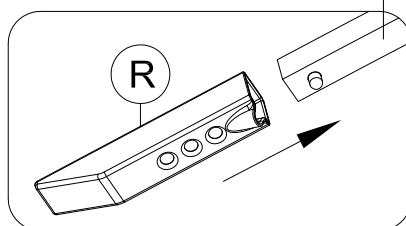
X2



X6

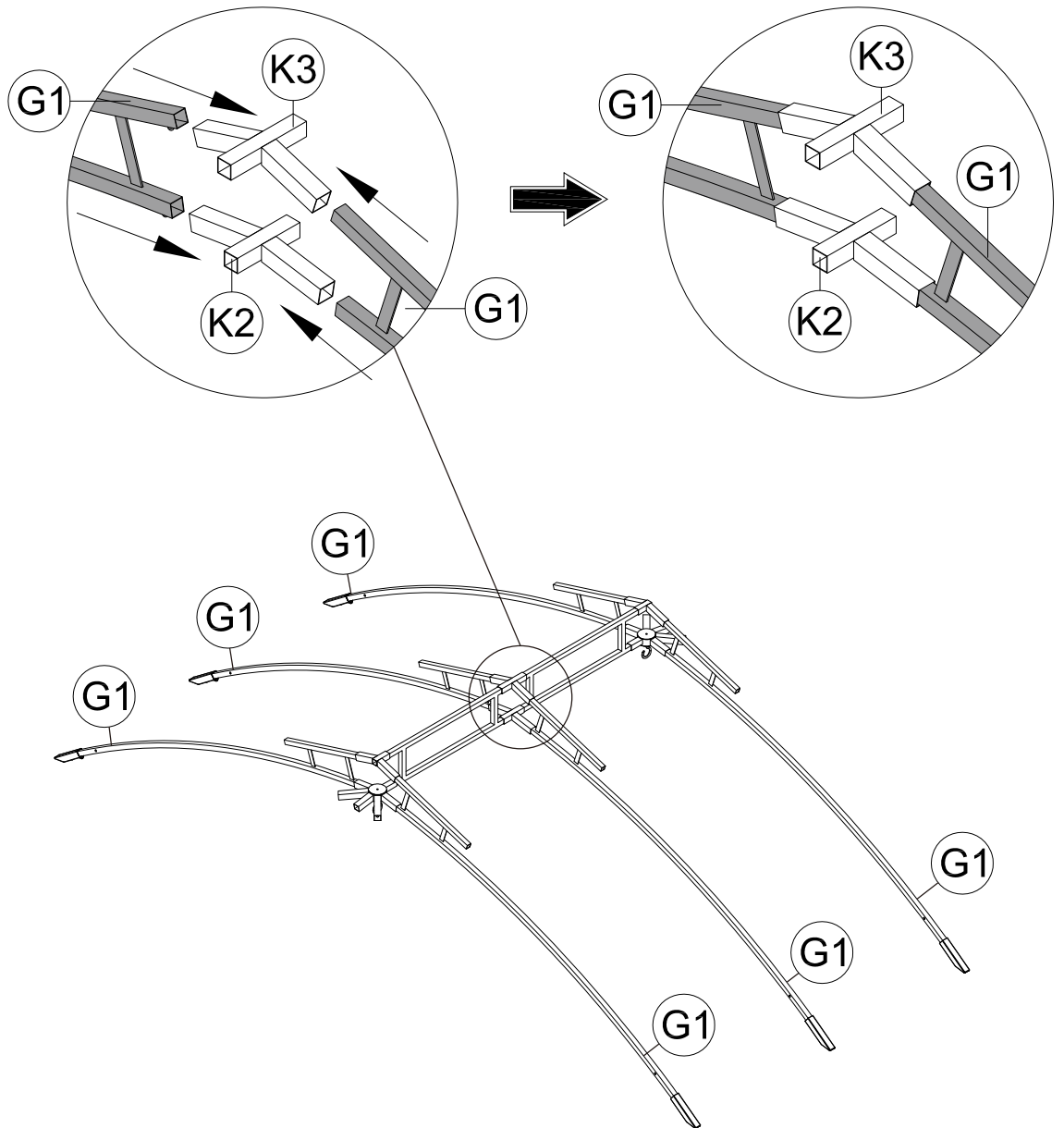


H1 or G or G1

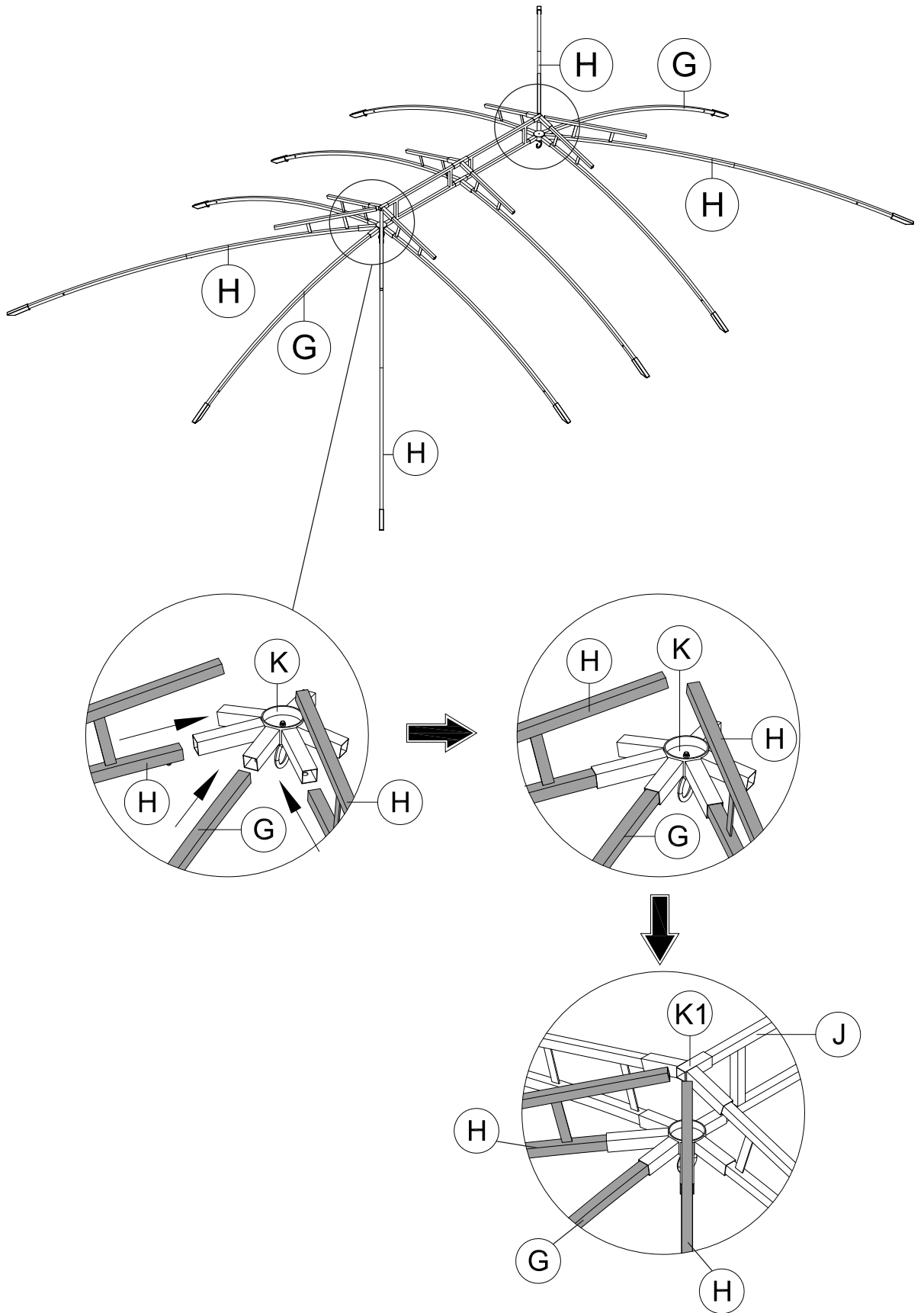


Insert the marble into the point (indicated by the arrow)

Middle Roof Tube #G1 Assembly



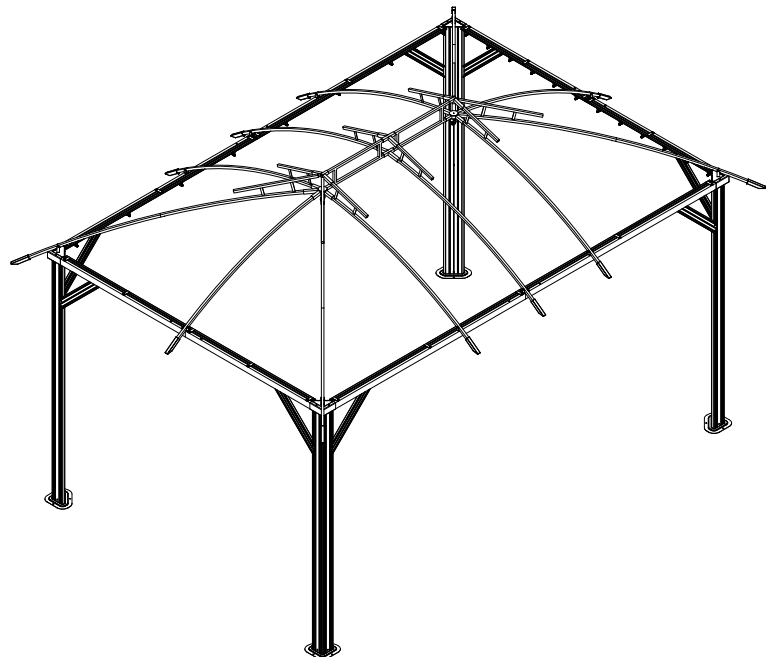
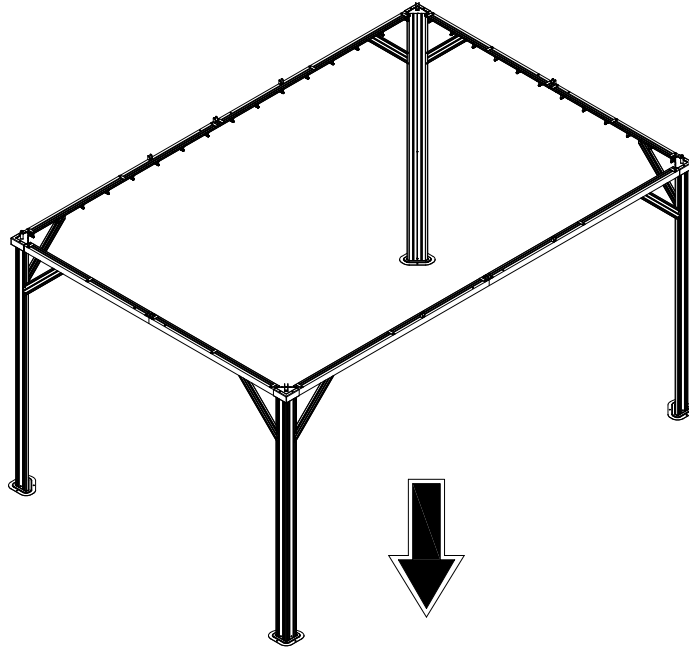
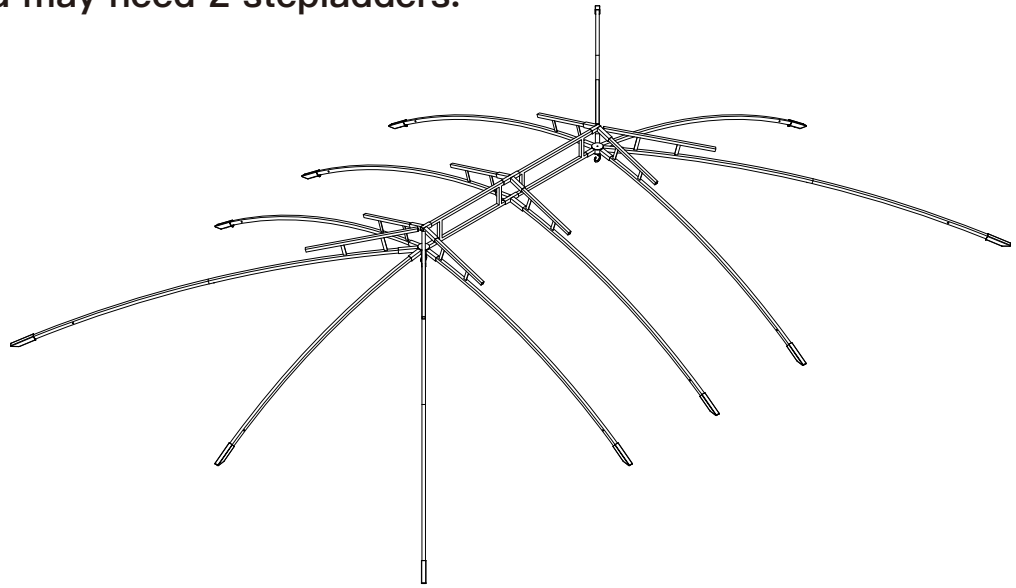
Corner Roof Tube #H & Middle Roof Tube #G Assembly

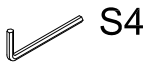


Repeat the above procedure to assemble another side.

Gently put the assembled roof tube on the beam.

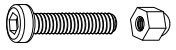
**Note: 2 or more people are required for this step;
You may need 2 stepladders.**





S4

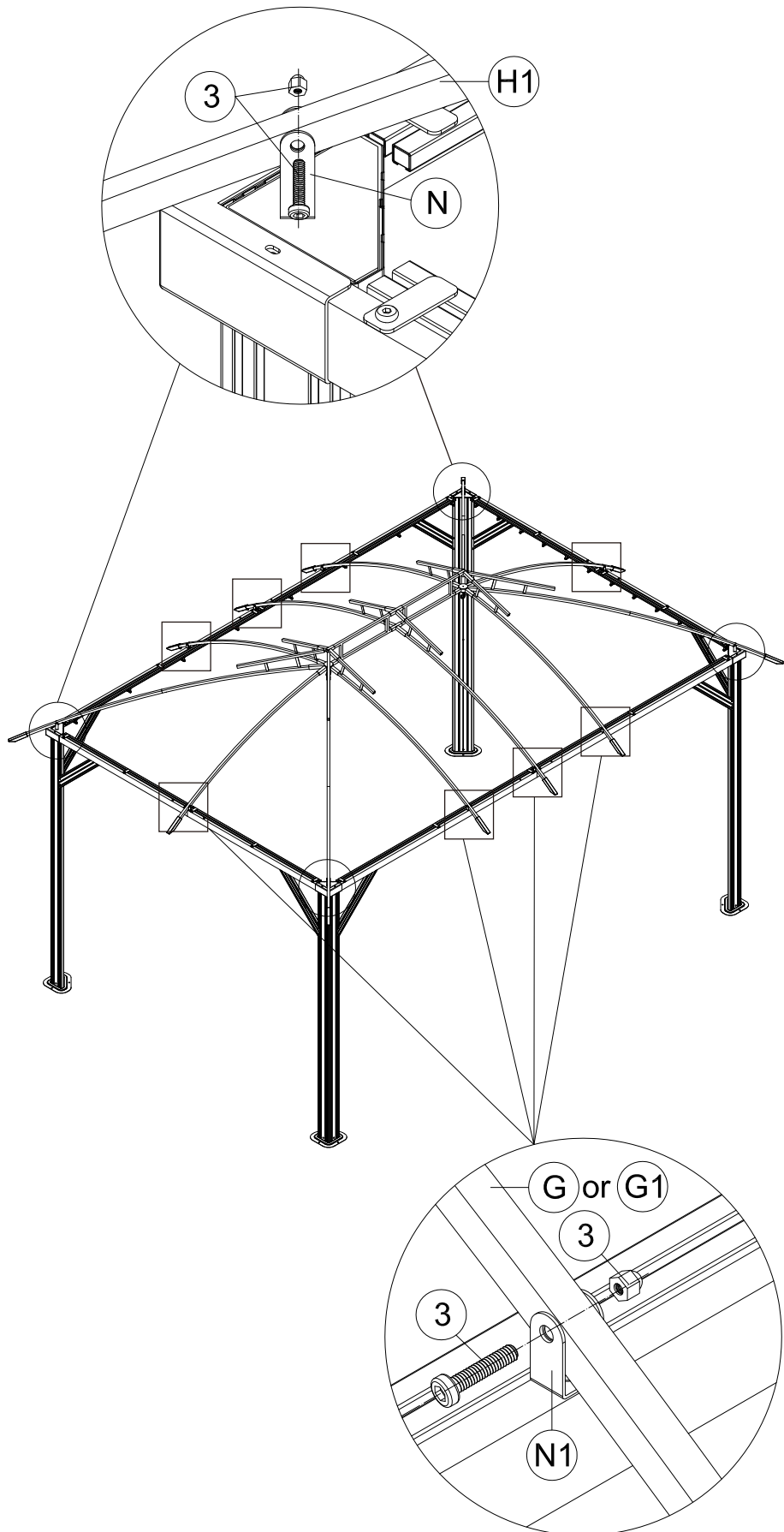
1 1x

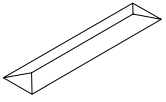


M6x35

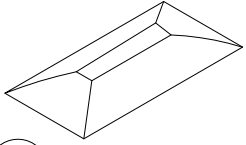
3 12x

Use 12 bolts #3 to fix the assembled roof tube with bracket #N or N1.



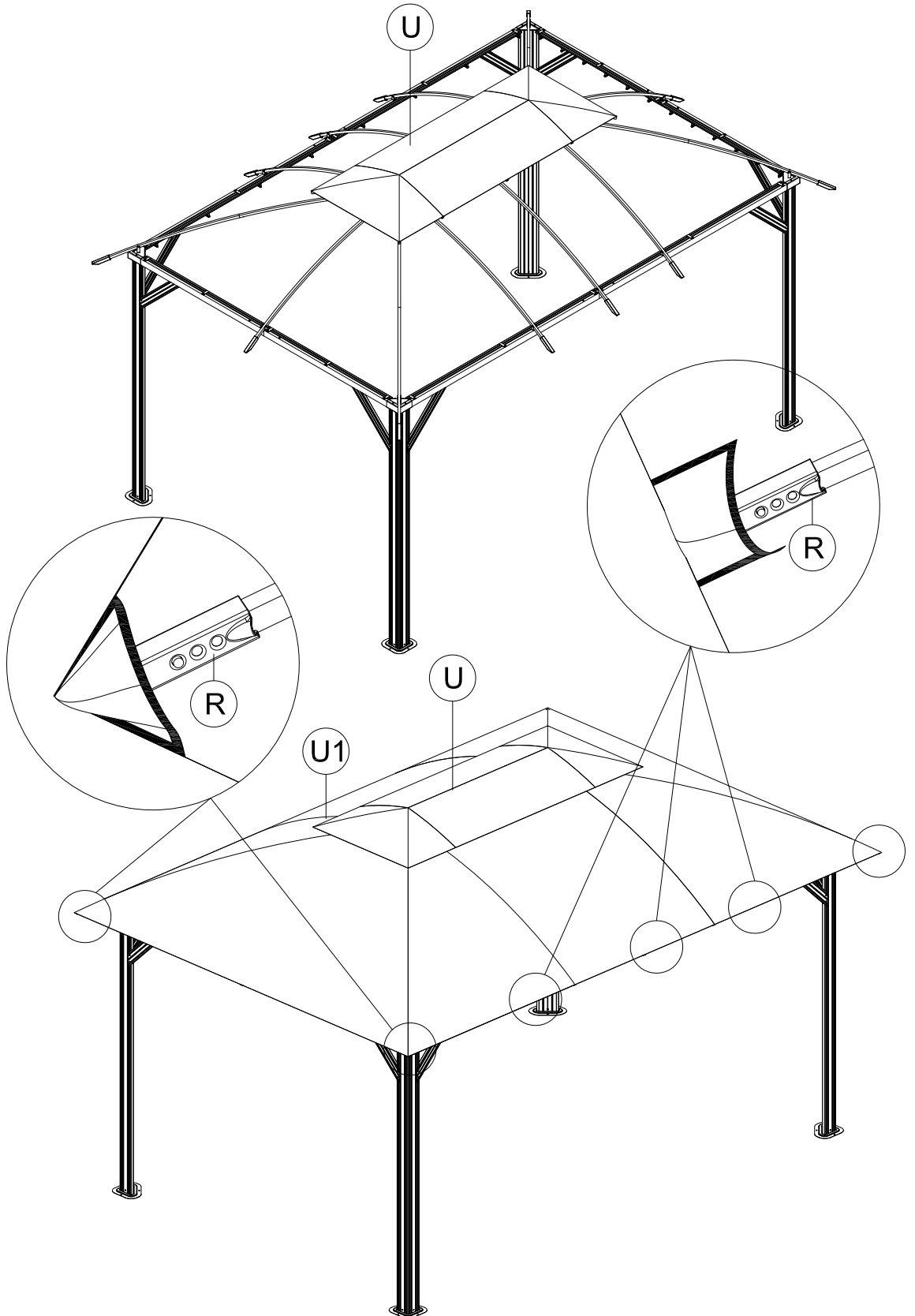


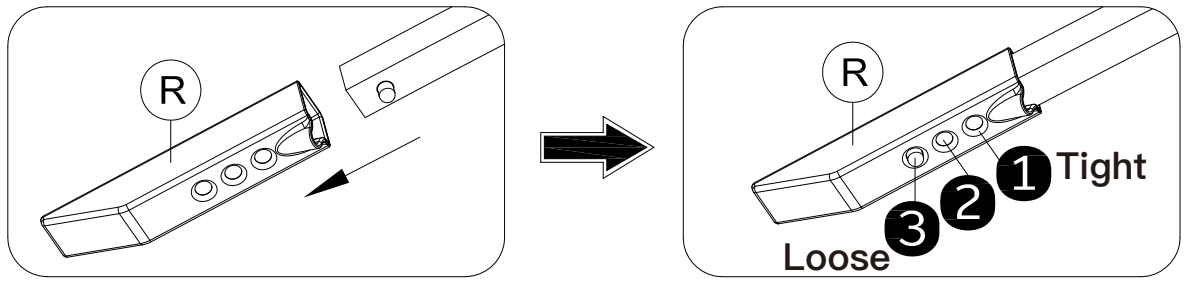
U 1x



U1 1x

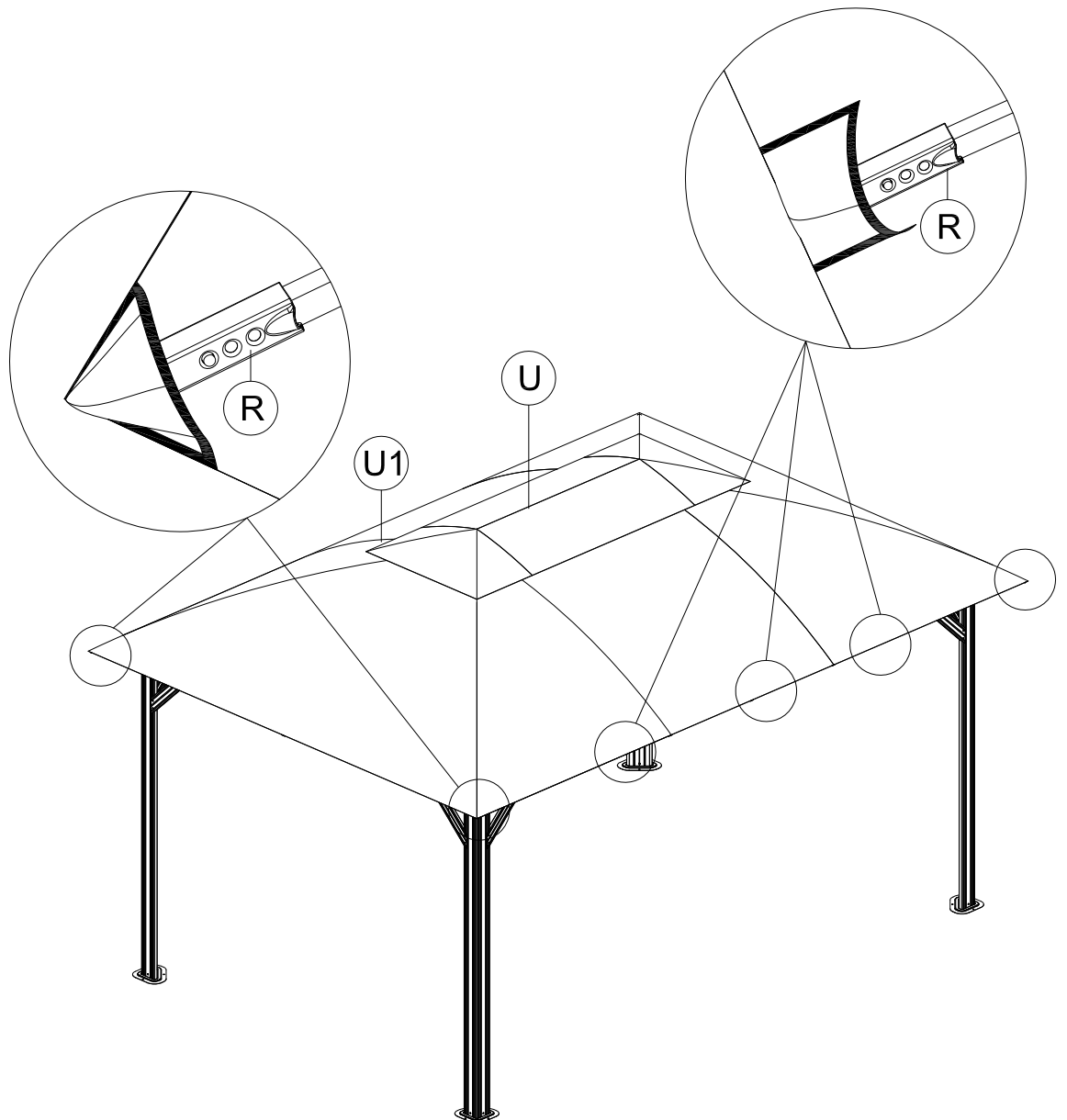
- (1) Put vent cover #U on the top.
- (2) Assemble #U1 under the #U.
- (3) Stick the mesh of #U to the inside of # U1.
- (4) Insert 12 #R into the corresponding pockets.

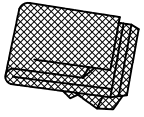




(5) #R has 3 levels to adjust the status of canopy, from loose to tight.

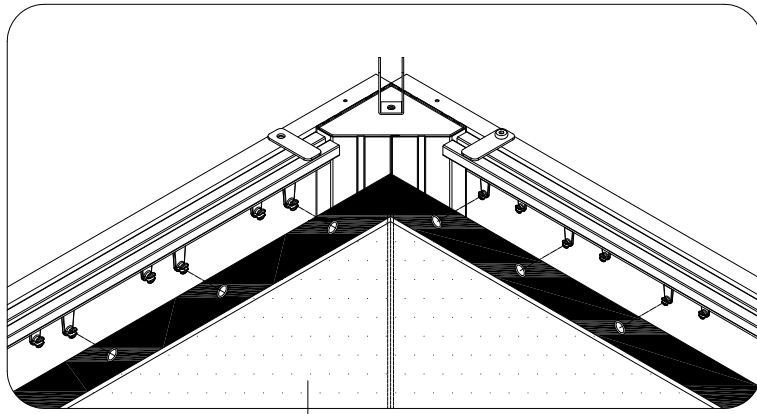
NOTE: If you find the canopy get looser in the later use, we recommend you to adjust #R to make canopy tighter.



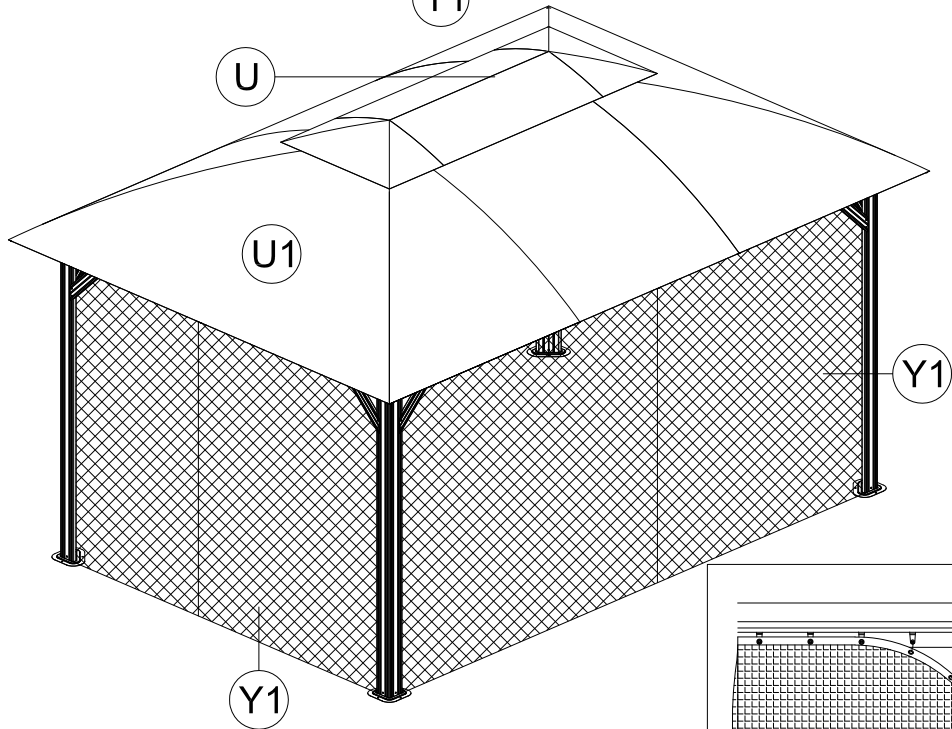


Mosquito Netting Assembly

Y1 4x



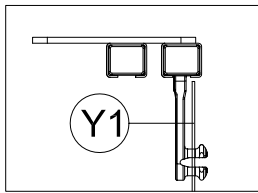
Y1



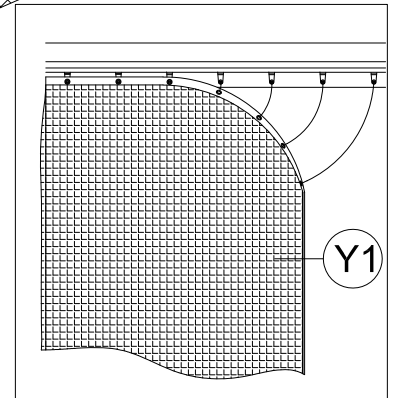
Y1

Y1

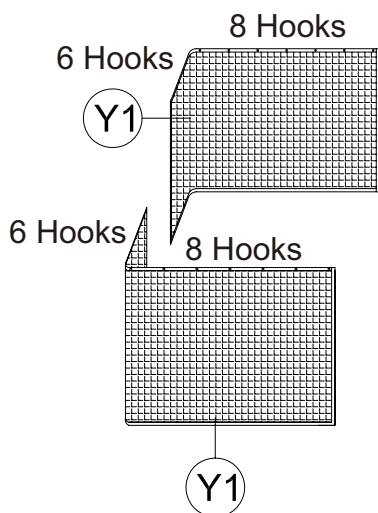
Inside Track



Y1

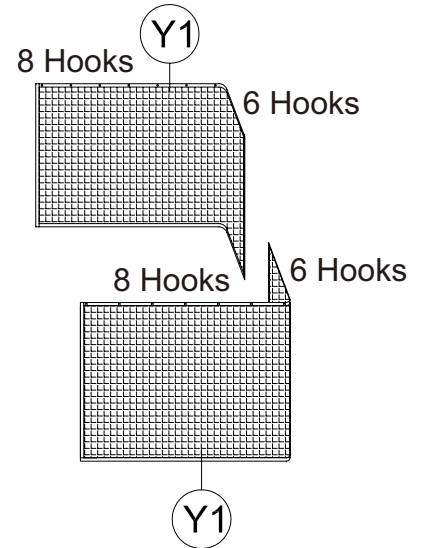


Y1



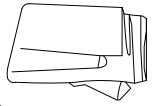
Y1

Y1



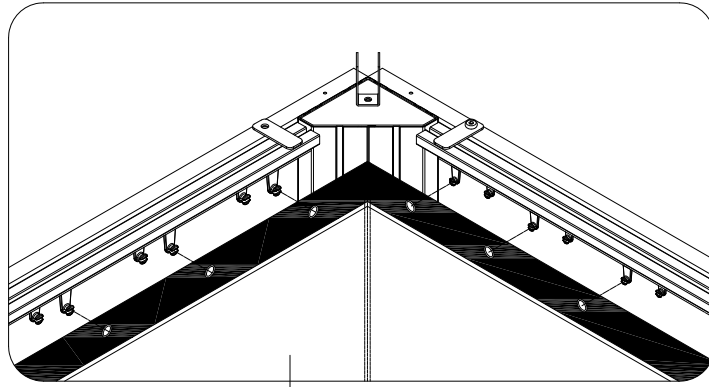
Y1

Y1

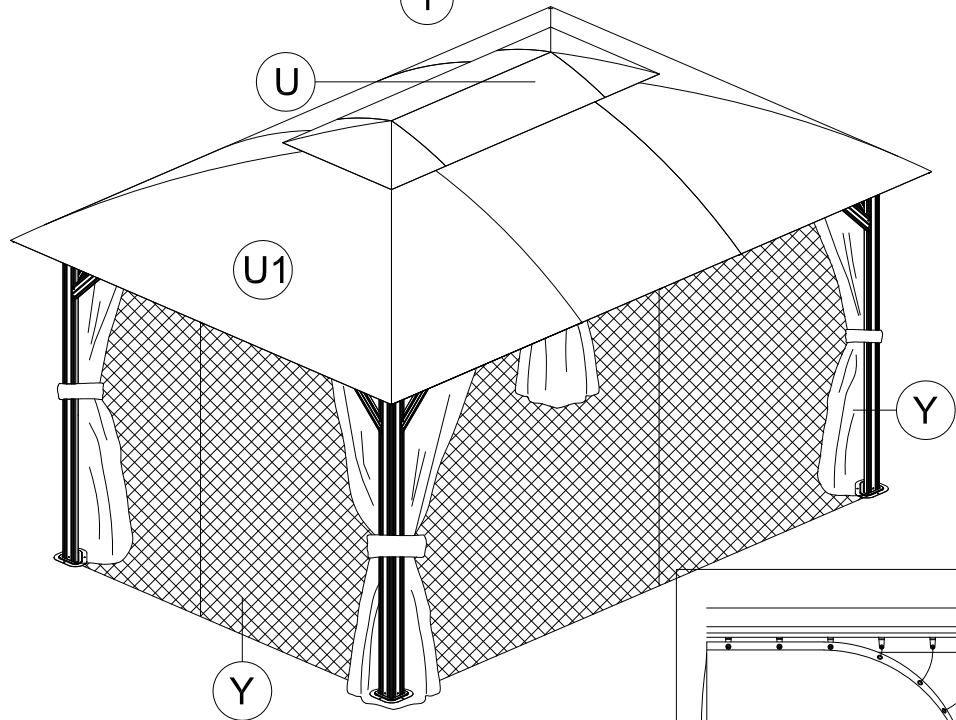


Y 4x

Curtains Assembly:



Y



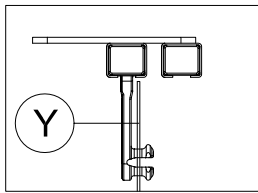
U

U1

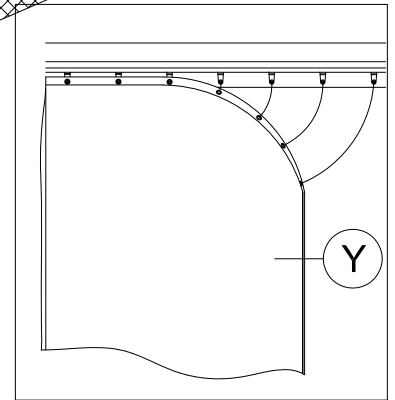
Y

Y

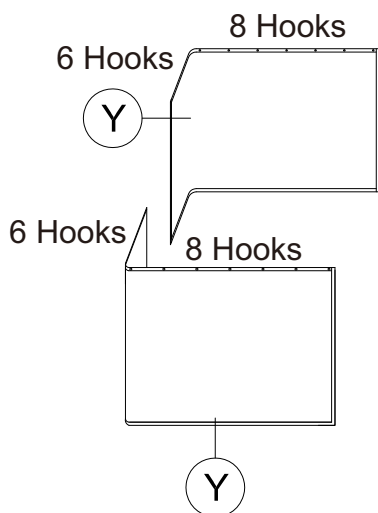
Outside Track



Y



Y



6 Hooks

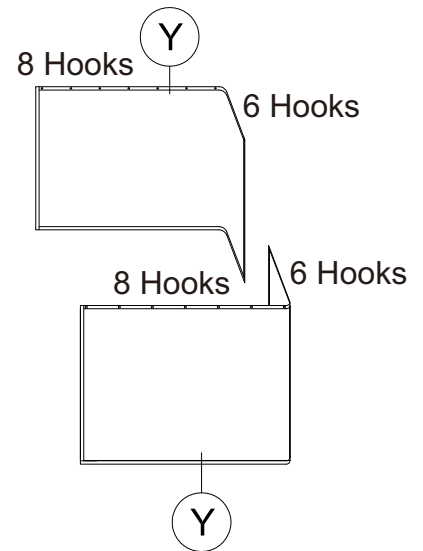
8 Hooks

Y

6 Hooks

8 Hooks

Y



8 Hooks

6 Hooks

Y

8 Hooks

6 Hooks

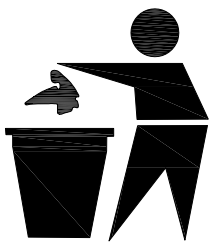
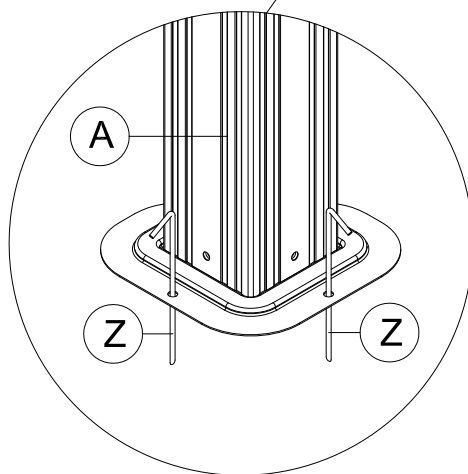
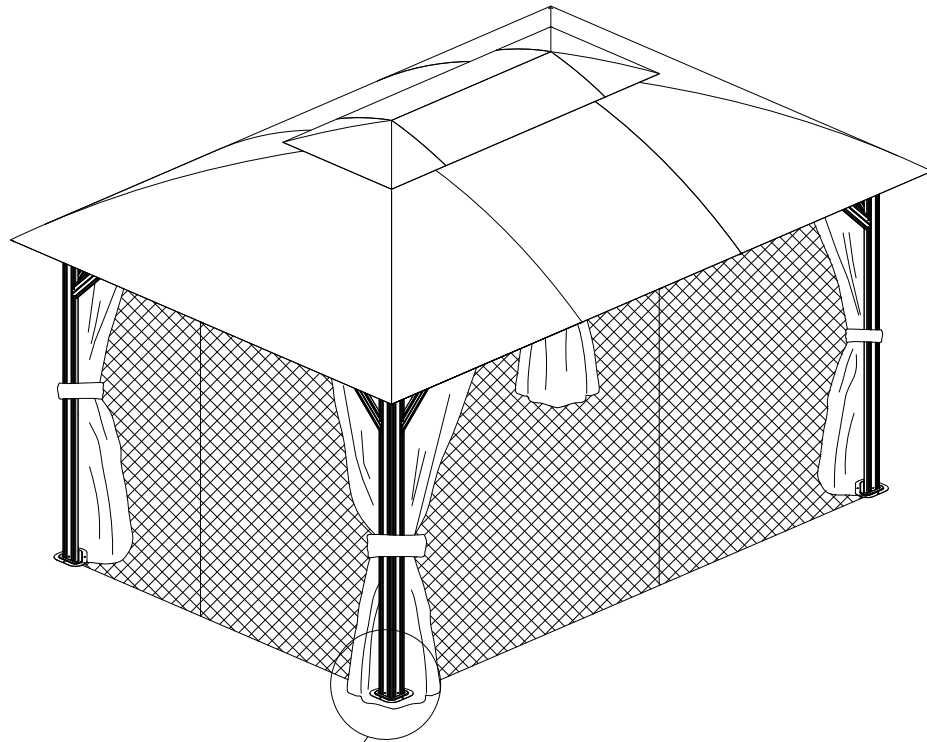
Y



Z 8x

Note: Stakes are NOT RECOMMENDED for PERMANENT USE.
Be aware of strong wind when anchor the gazebo on the soft ground.

We do not provide warranty services if the gazebo is destroyed by strong wind when you anchor the gazebo using the stakes.



Thanks for your purchase.

At domi outdoor living, we believe in our products.

That's why we provide a 12-month warranty and

friendly, easy-to-reach after-sales service. So if you

have any questions about our product and assembly-

,please feel free to contact us. We will be here for you.

Support:



After-sales contact email:

service@domioutdoorliving.com

Please tell us your order ID when contact.

Attach photos of damaged part for instant reply.