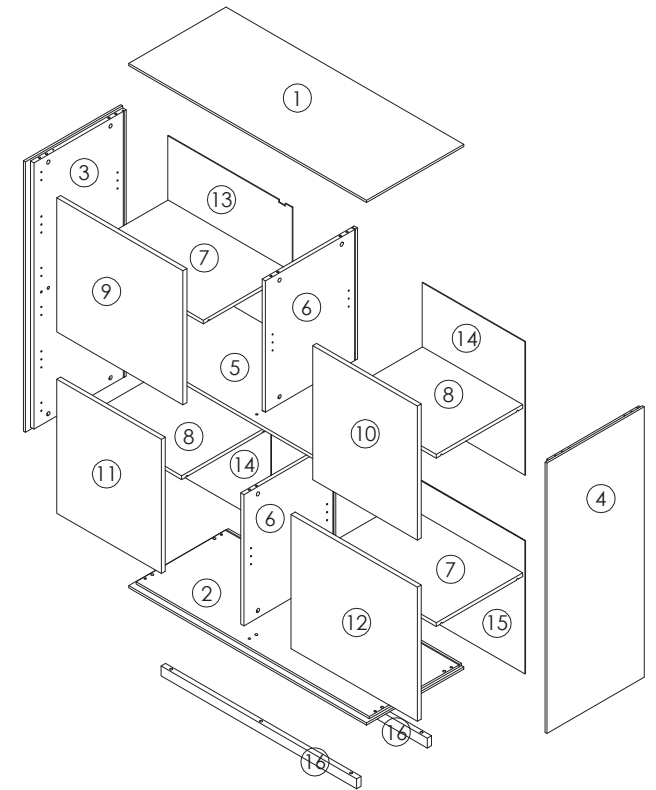
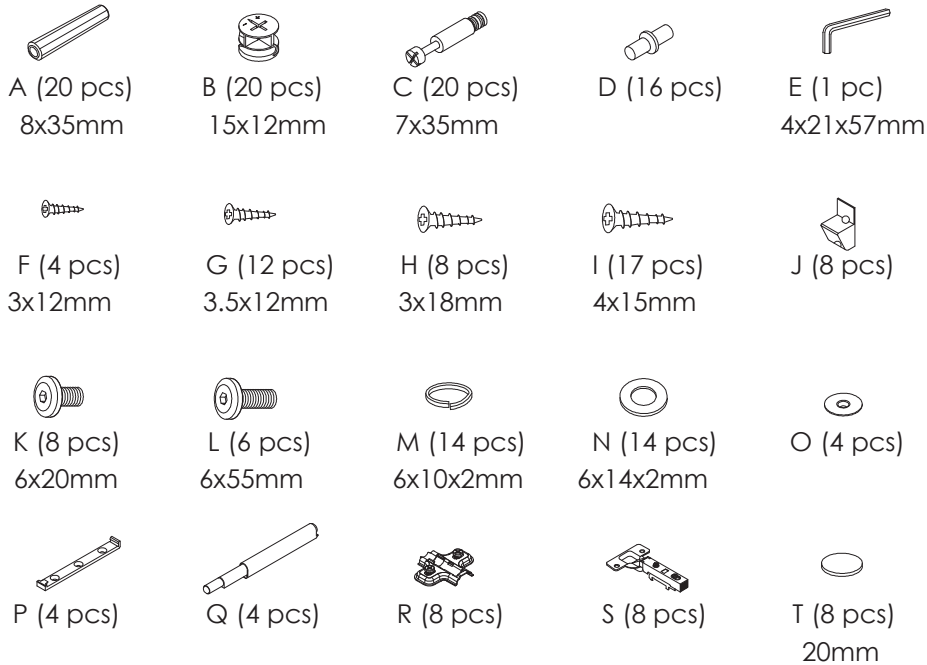
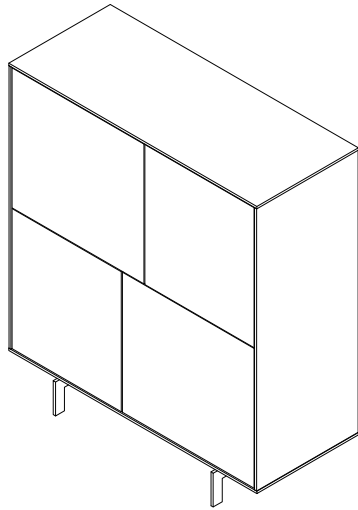


PLEASE NOTE: Check that you have received all components and hardware before assembling.

Assembly Instructions Cabinet

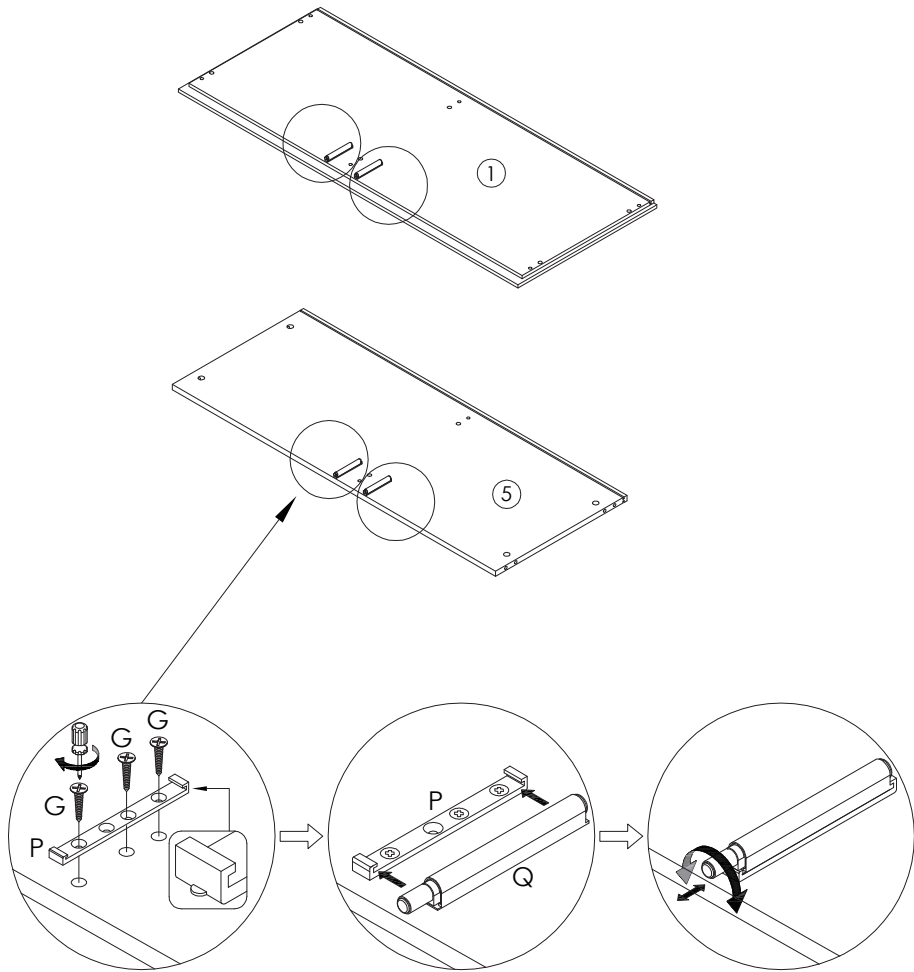


During assembly, hand tighten screws only. When the screws are in place, tighten completely.

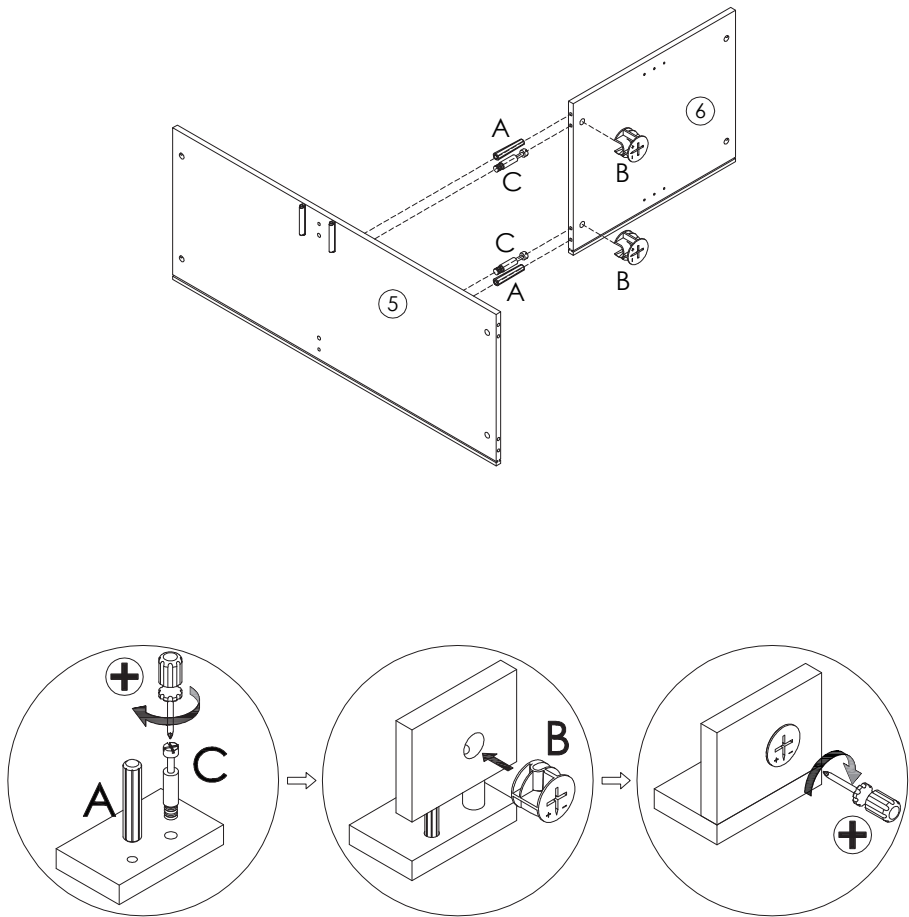
PLEASE NOTE: Check that you have received all components and hardware before assembling.

Assembly Instructions Cabinet

1



2

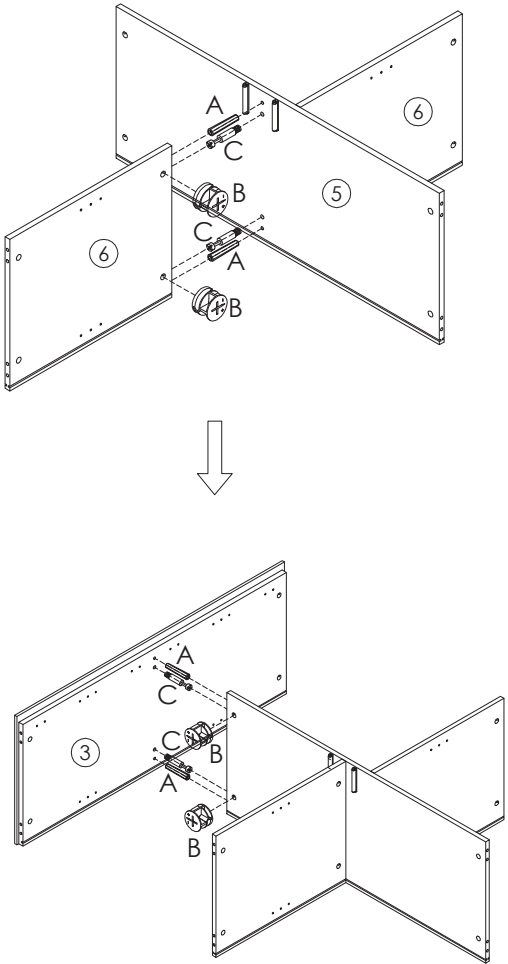


During assembly, hand tighten screws only. When the screws are in place, tighten completely.

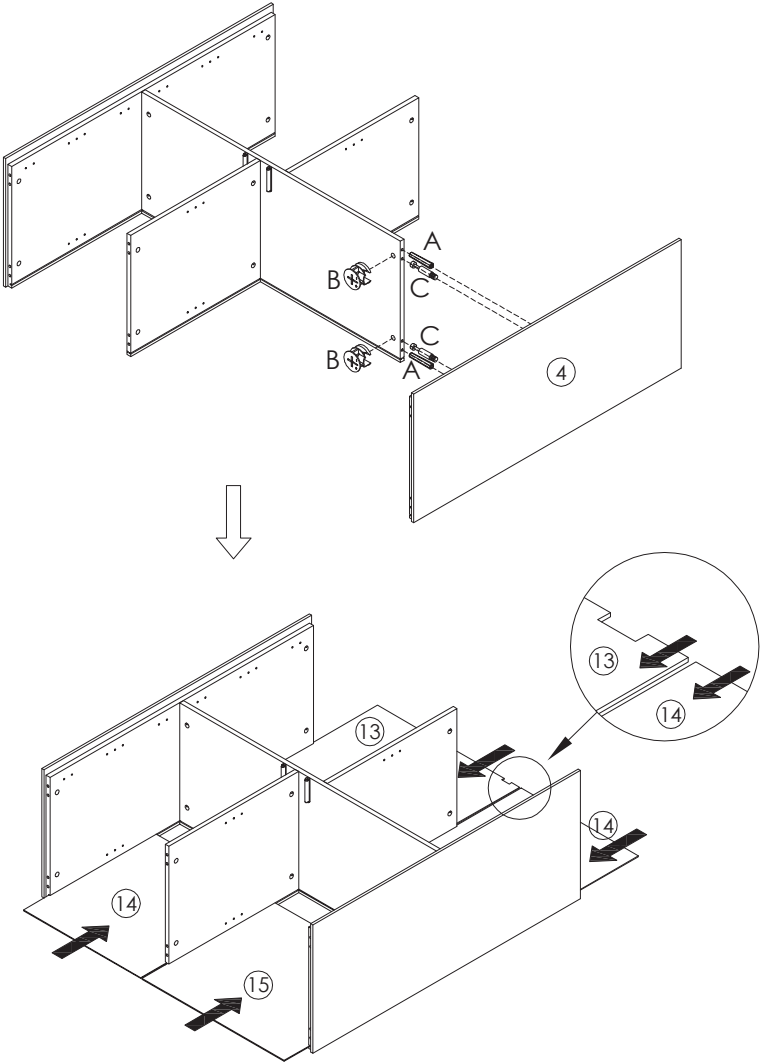
PLEASE NOTE: Check that you have received all components and hardware before assembling.

Assembly Instructions Cabinet

3



4

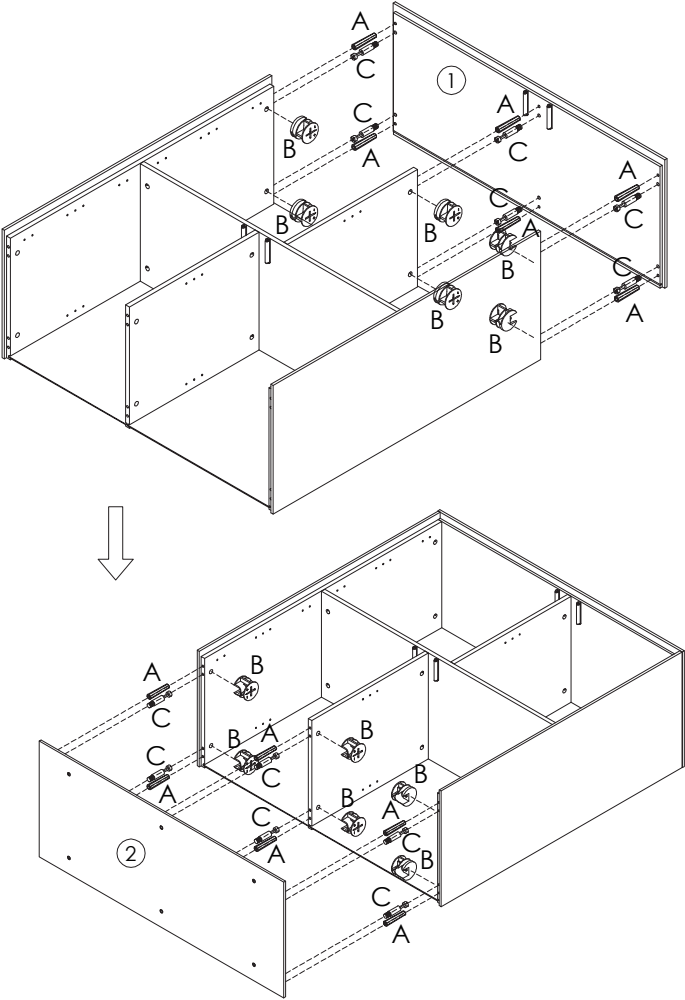


During assembly, hand tighten screws only. When the screws are in place, tighten completely.

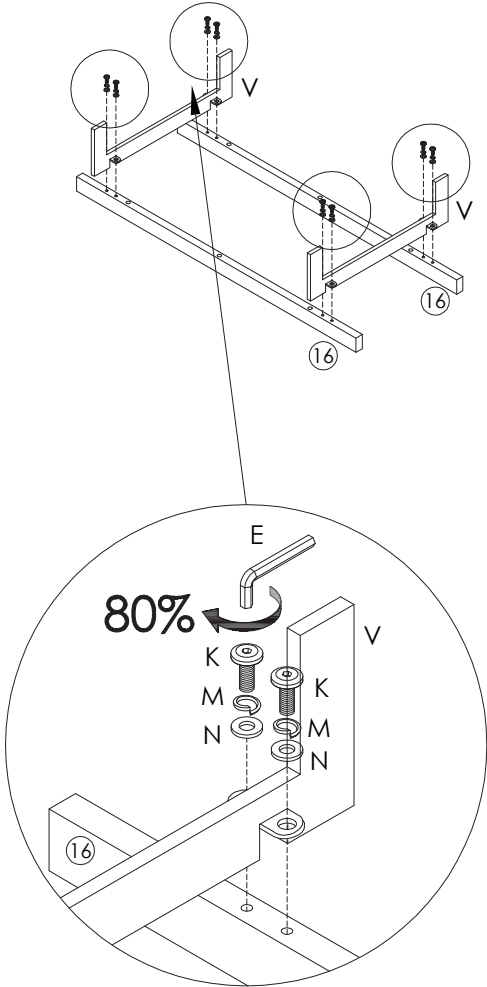
PLEASE NOTE: Check that you have received all components and hardware before assembling.

Assembly Instructions Cabinet

5



6

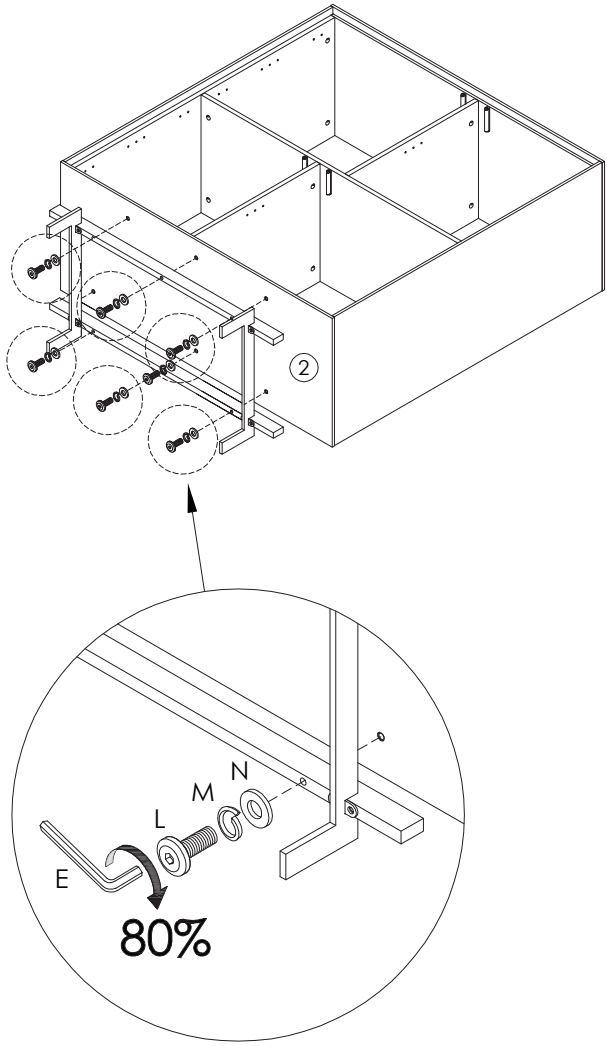


During assembly, hand tighten screws only. When the screws are in place, tighten completely.

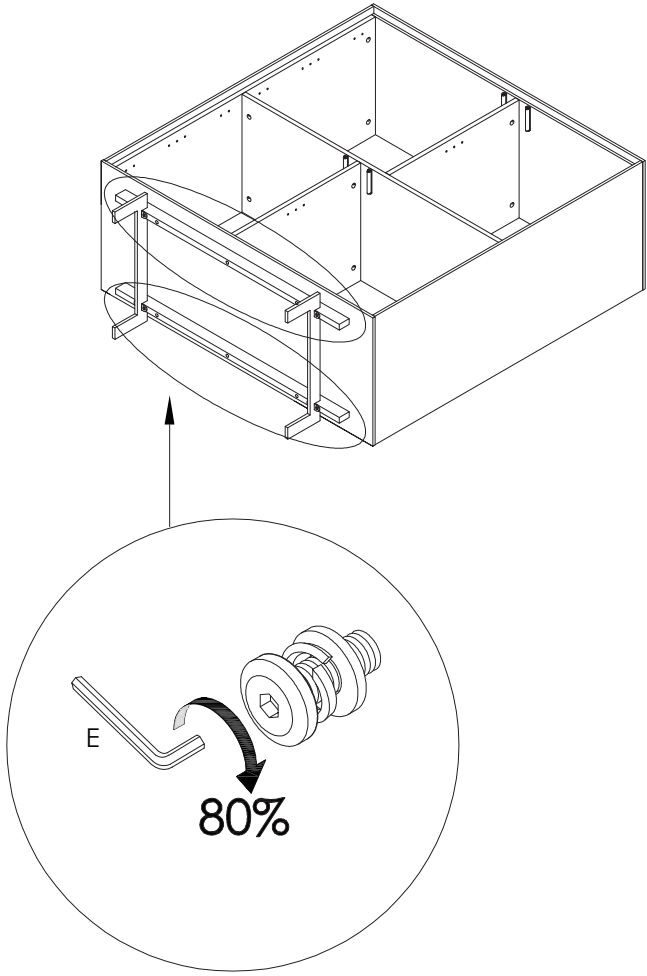
PLEASE NOTE: Check that you have received all components and hardware before assembling.

Assembly Instructions Cabinet

7



8

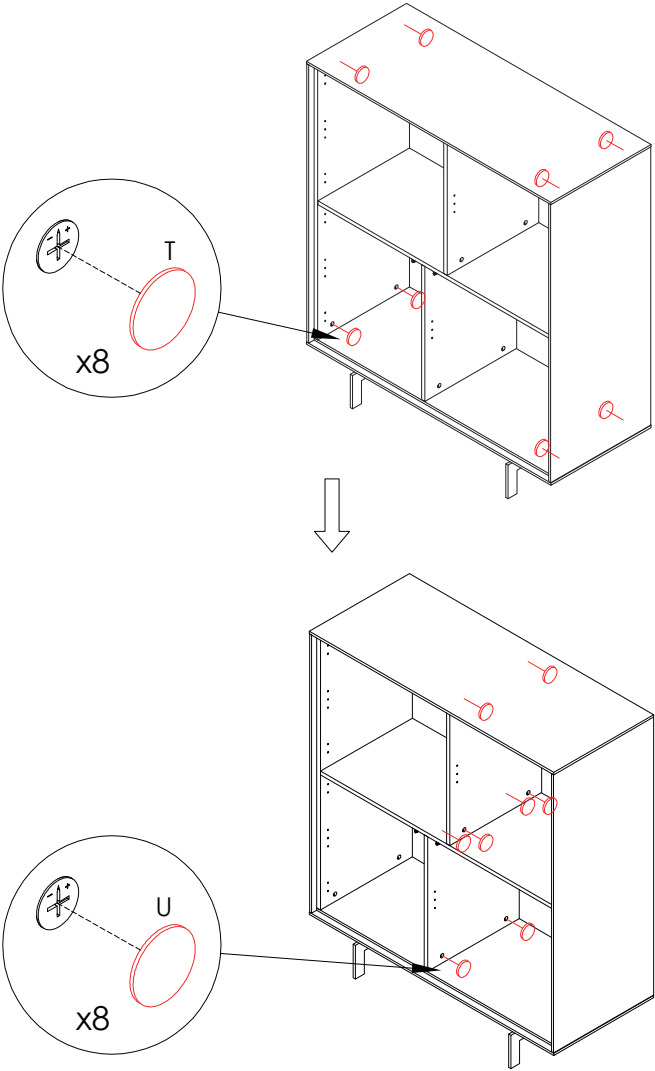


During assembly, hand tighten screws only. When the screws are in place, tighten completely.

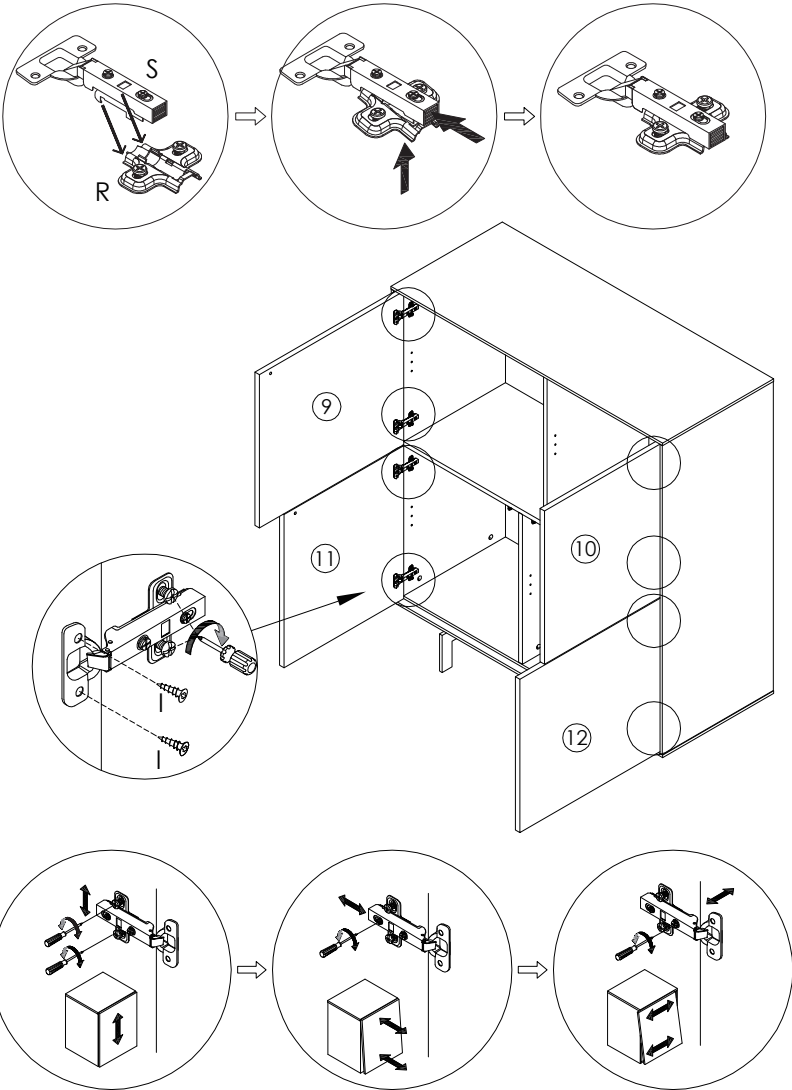
PLEASE NOTE: Check that you have received all components and hardware before assembling.

Assembly Instructions Cabinet

9



10

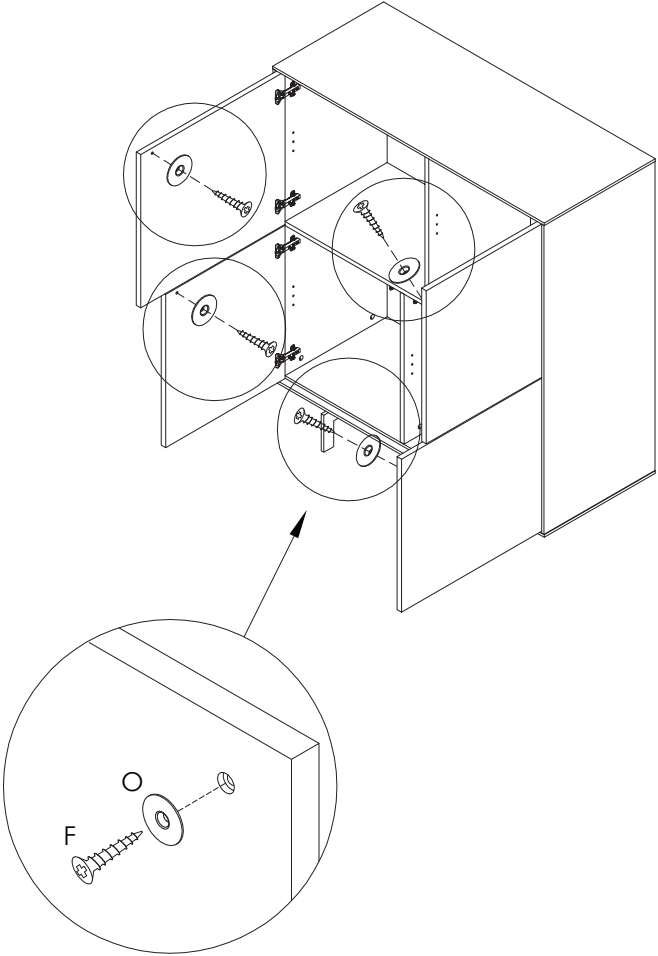


During assembly, hand tighten screws only. When the screws are in place, tighten completely.

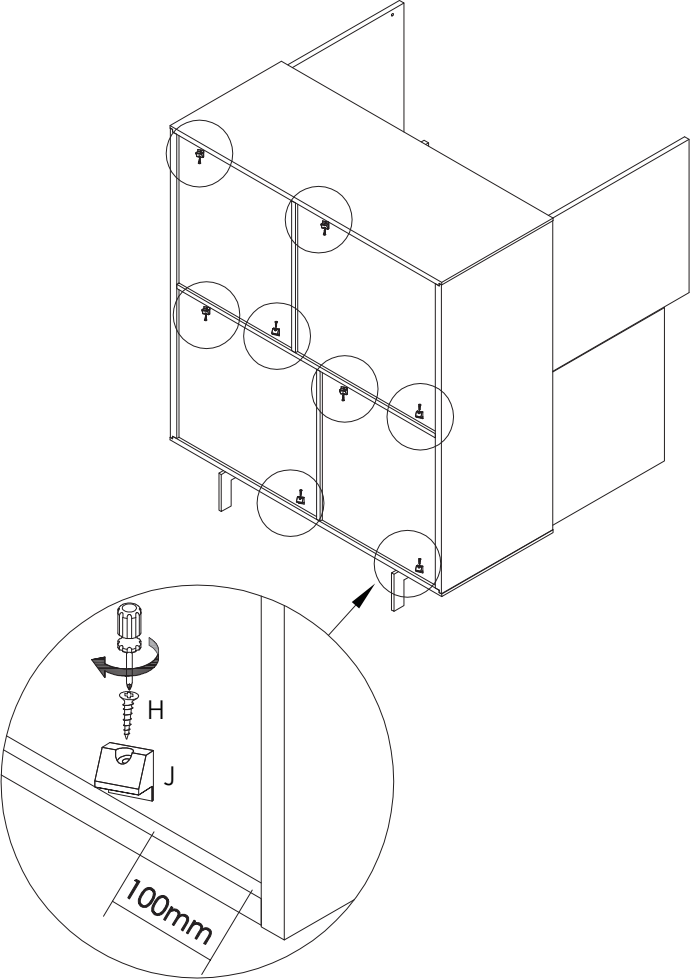
PLEASE NOTE: Check that you have received all components and hardware before assembling.

Assembly Instructions Cabinet

11



12

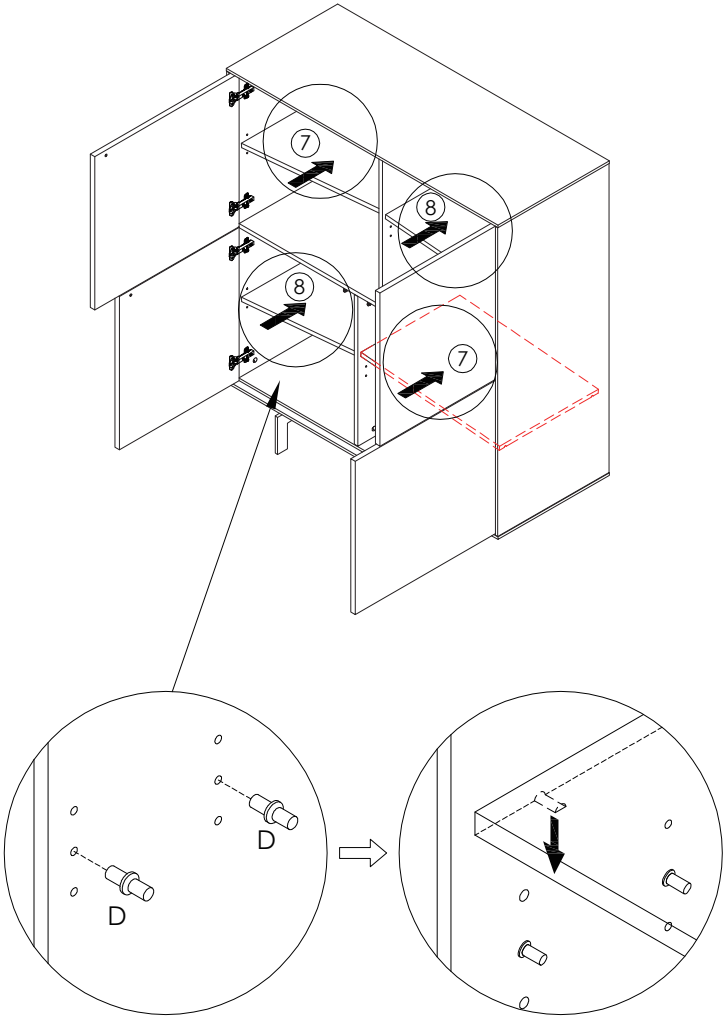


During assembly, hand tighten screws only. When the screws are in place, tighten completely.

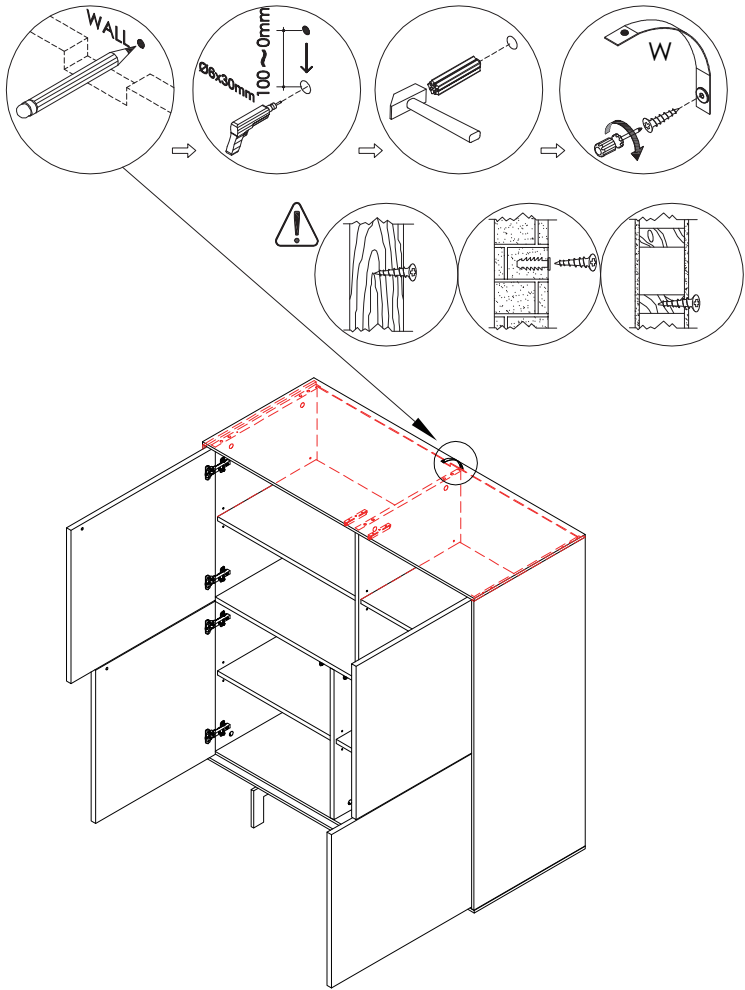
PLEASE NOTE: Check that you have received all components and hardware before assembling.

Assembly Instructions Cabinet

13



14

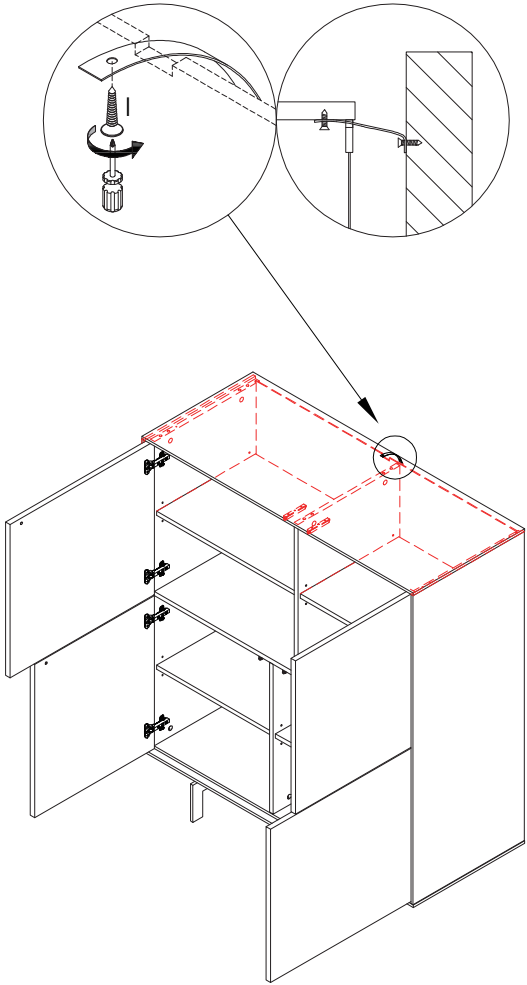


During assembly, hand tighten screws only. When the screws are in place, tighten completely.

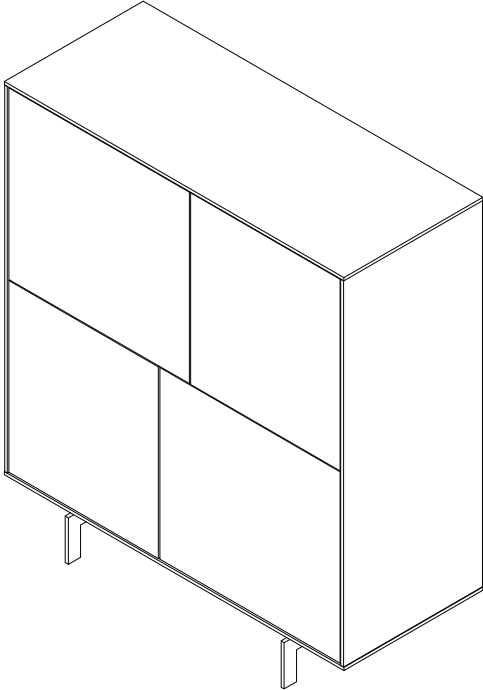
PLEASE NOTE: Check that you have received all components and hardware before assembling. I

Assembly Instructions Cabinet

15



16



During assembly, hand tighten screws only. When the screws are in place, tighten completely.