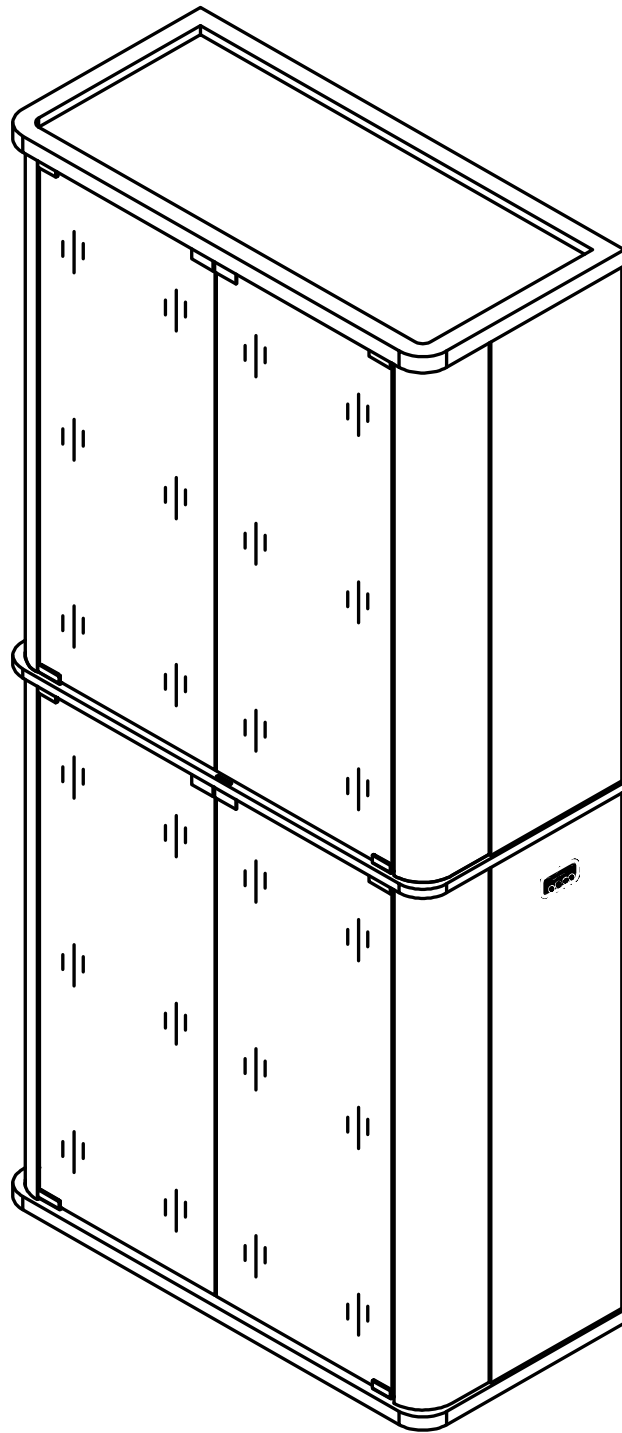
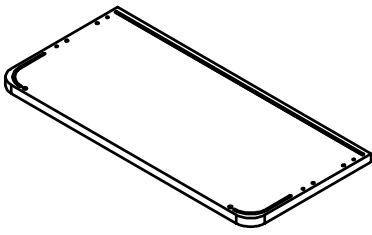
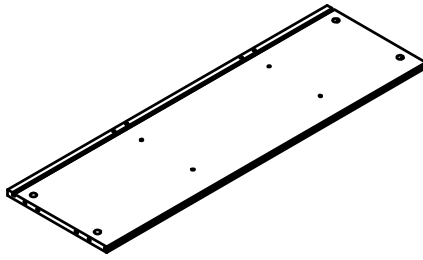


Product Installation Instructions

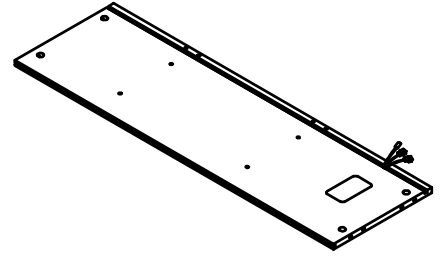




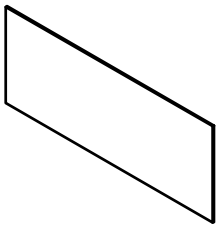
1x1



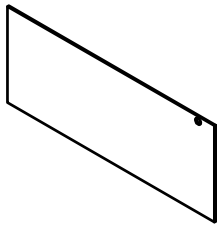
2x1



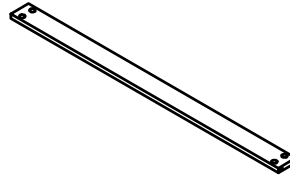
3x1



4x4



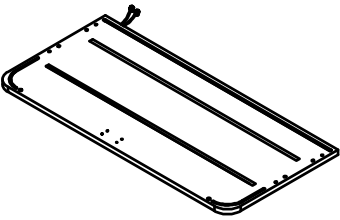
5x2



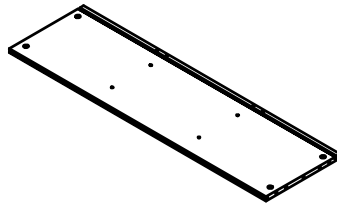
6x4



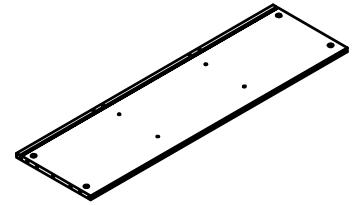
7x4



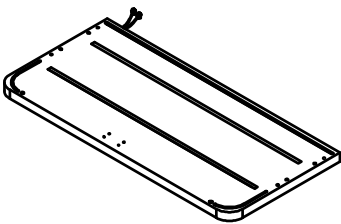
8x1



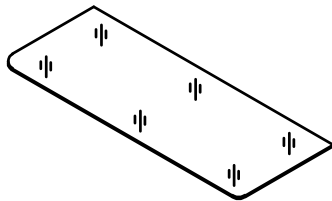
9x1



10x1



11x1



12x4

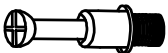

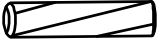

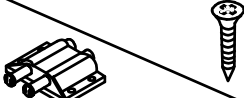




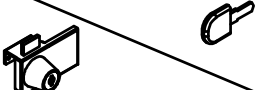
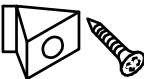

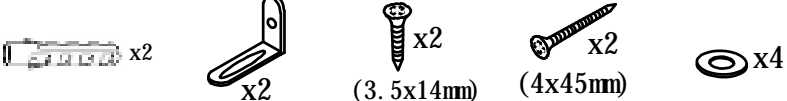







13x4



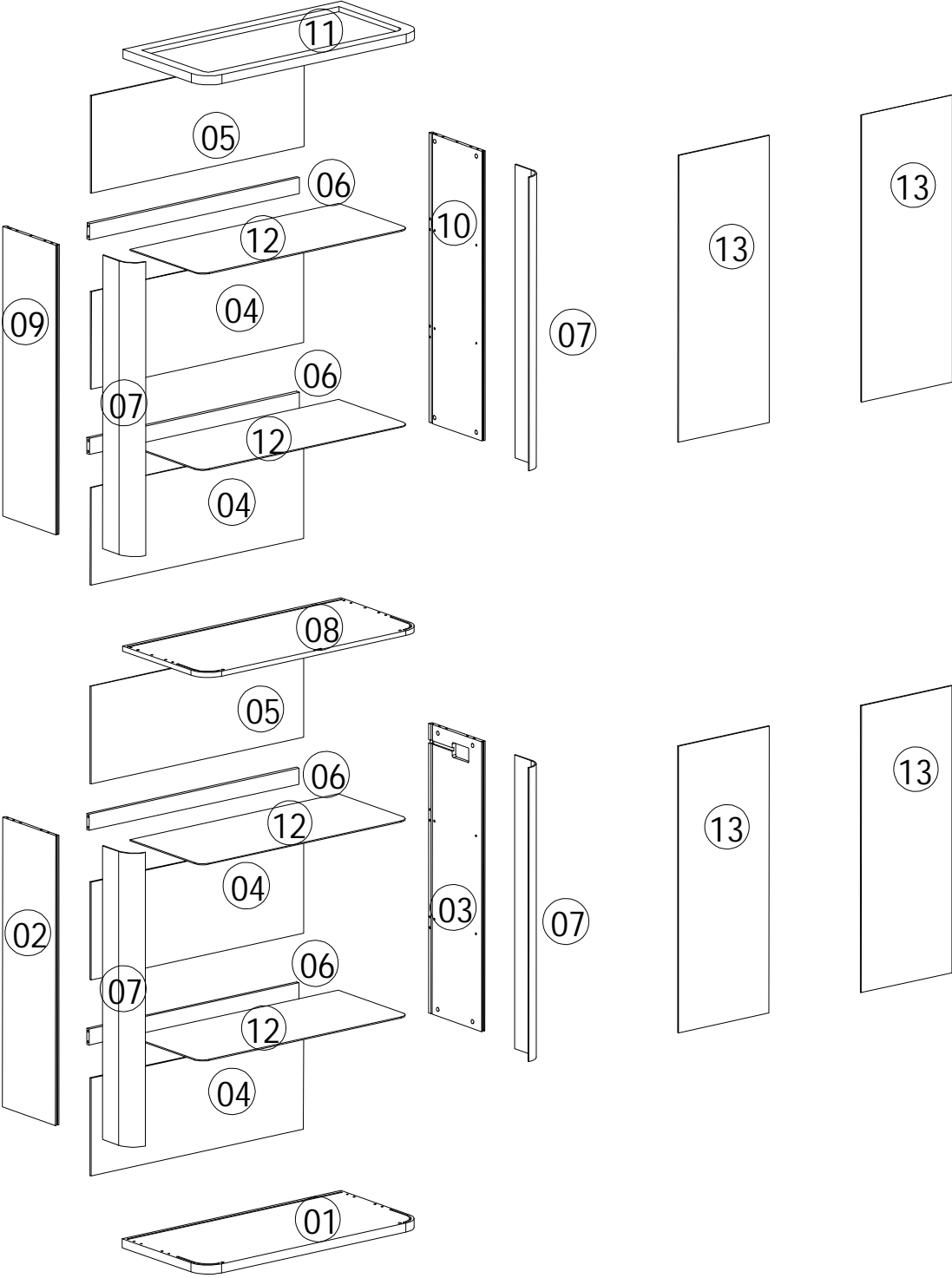
1

Accessories list

A		Two in one screw (6x28mm)	32pcs +3pcs
B		Two in one nut (10x12mm)	32pcs +3pcs
C		Wood chipping (6x30mm)	20pcs +4pcs
D		Non-slip pads (50x10)	6pcs
E		Rebound device & Screw (3x16mm)	8pcs +2pcs 2pcs
		Rubber ring	8pcs
		Iron sheet & Hinge	4pcs
F		Laminate support nail	8pcs
G		Glass clip	8pcs
H		Double door glass lock Key	1pcs +1pcs 1pcs
I		Fixing clip & screw (3x16mm)	20pcs +2pcs
J		Wire clamp	2pcs +2pcs
K	Anti Fall Hardware		
L		Forked line	2pcs
N		module	1pcs
M		PVC	1pcs
		AC/DC Adapter (12V=3.0A)	1pcs

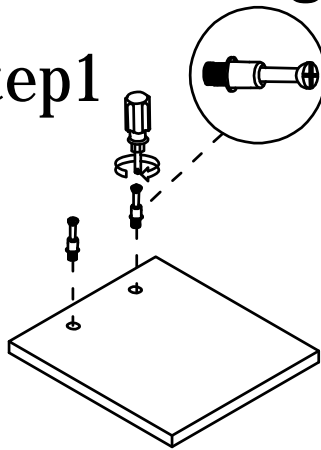
1pcs 
Double-head screwdriver, use as required

Product structure decomposition

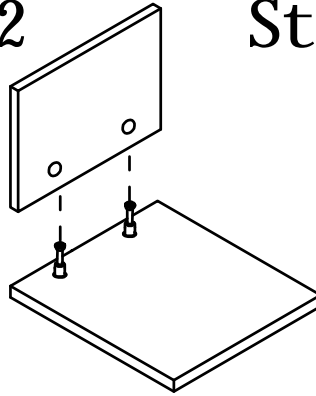


Use parts A and B

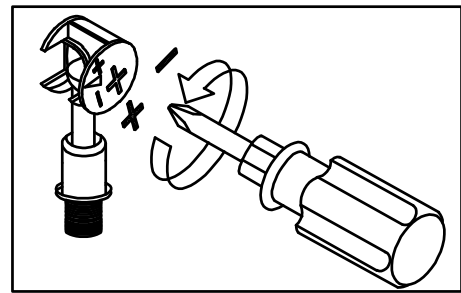
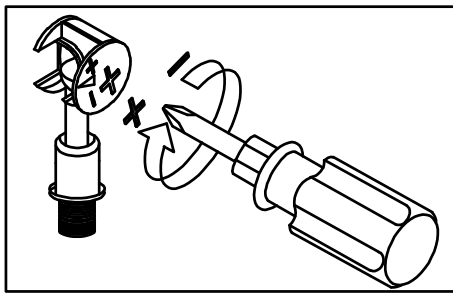
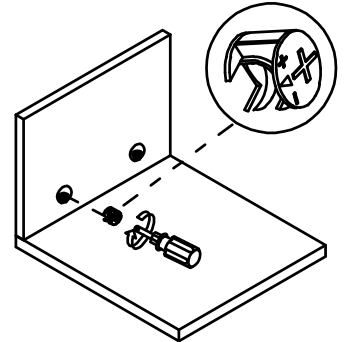
Step1



Step2



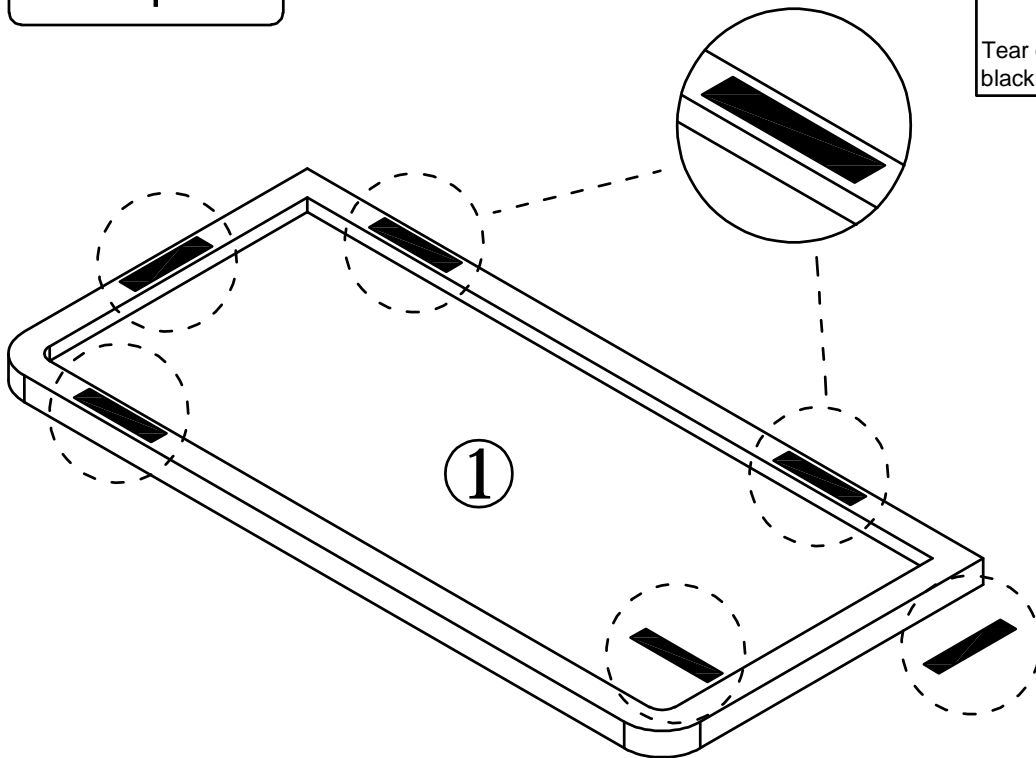
Step3

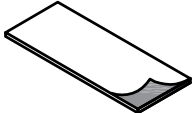


Use a screwdriver to lock in the direction of the "+" sign

Disassemble along the direction of "-" sign

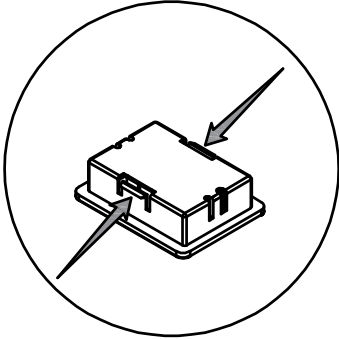
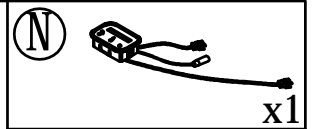
Step 1



D  x6
Tear off release paper and stick the black foot pad on the board

4

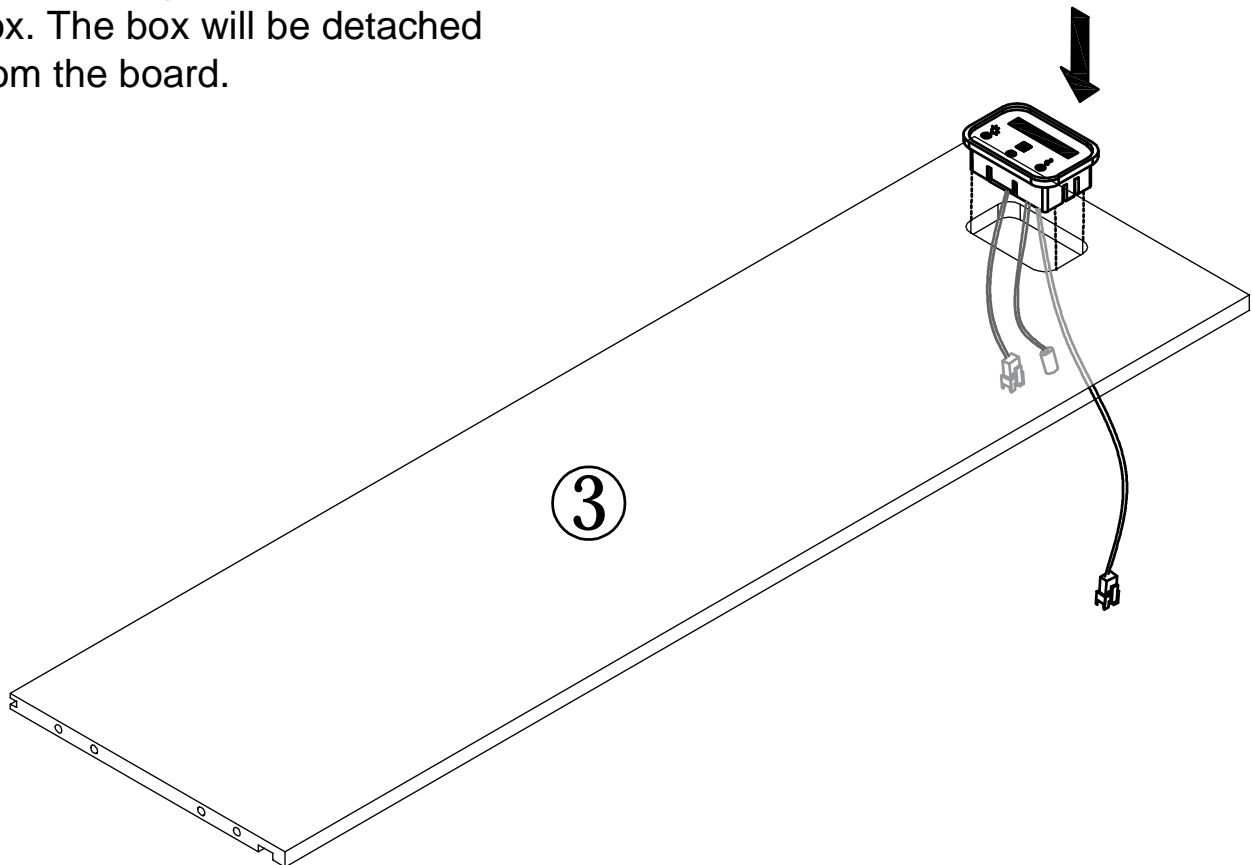
Step 2

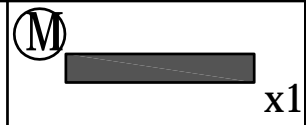


Note: Thread the wire through the hole first before installation.

Align the holes
Slap it down with your hand.

The two are pressed together on the rear protrusion of the box. The box will be detached from the board.

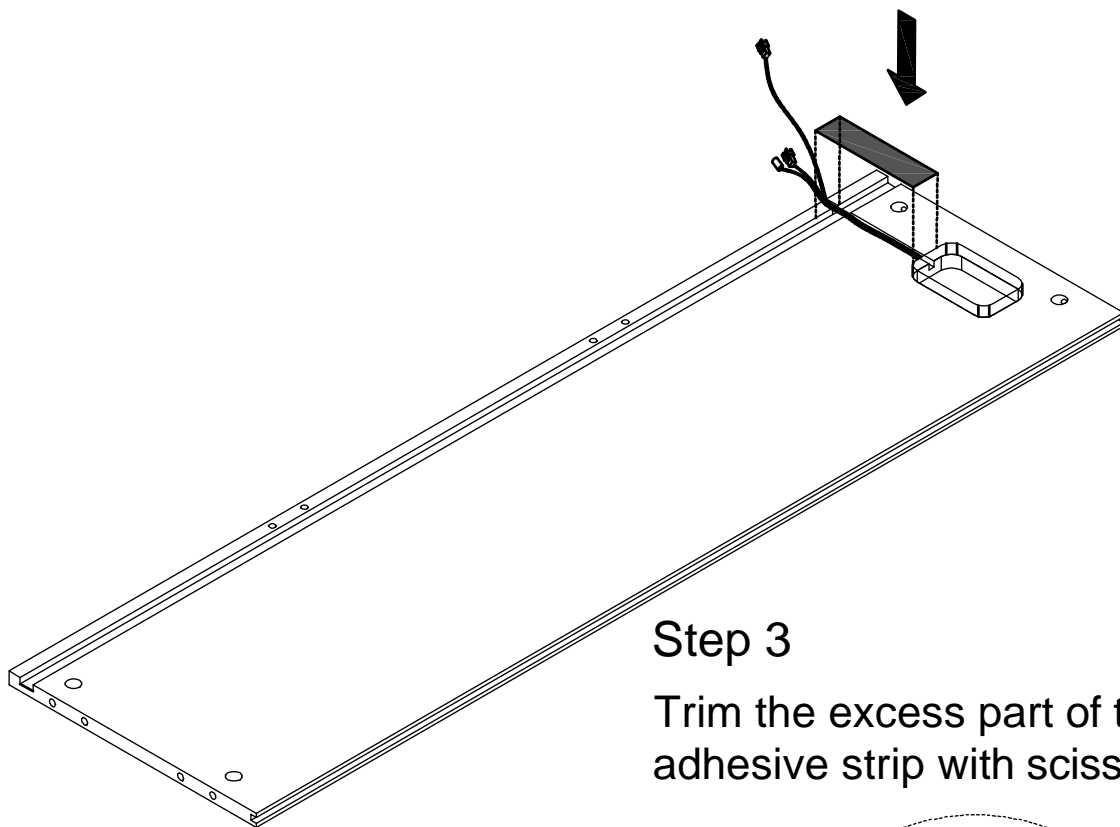




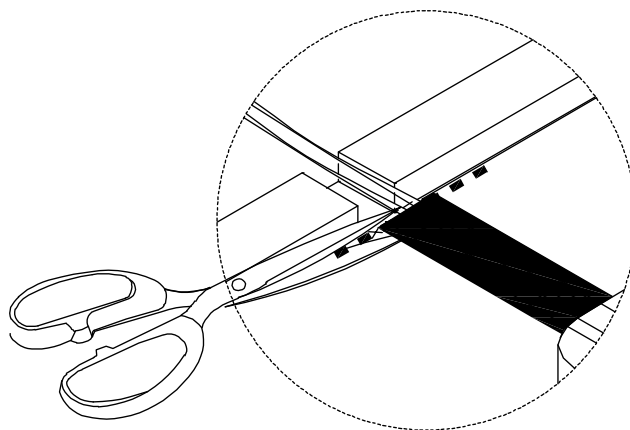
Step 3

Step 1 Note: Align the direction of the wire with the slot.

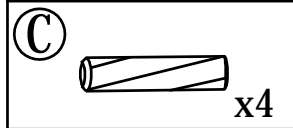
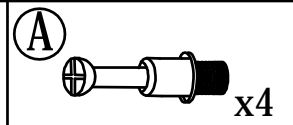
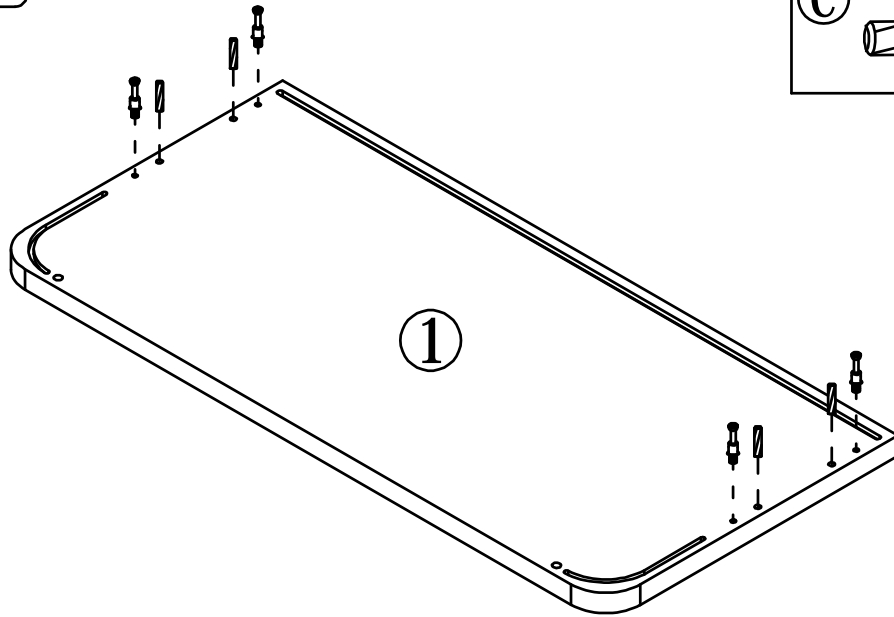
Step 2 After placing the wire, seal the slot with PVC adhesive.



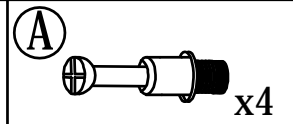
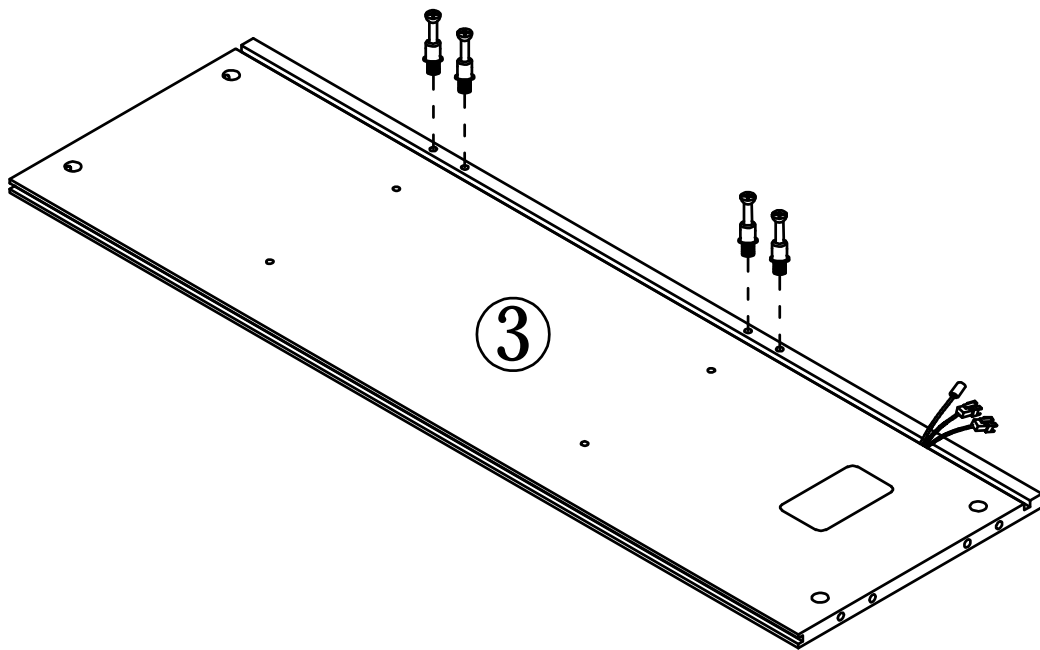
Step 3 Trim the excess part of the PVC adhesive strip with scissors.



Step 4

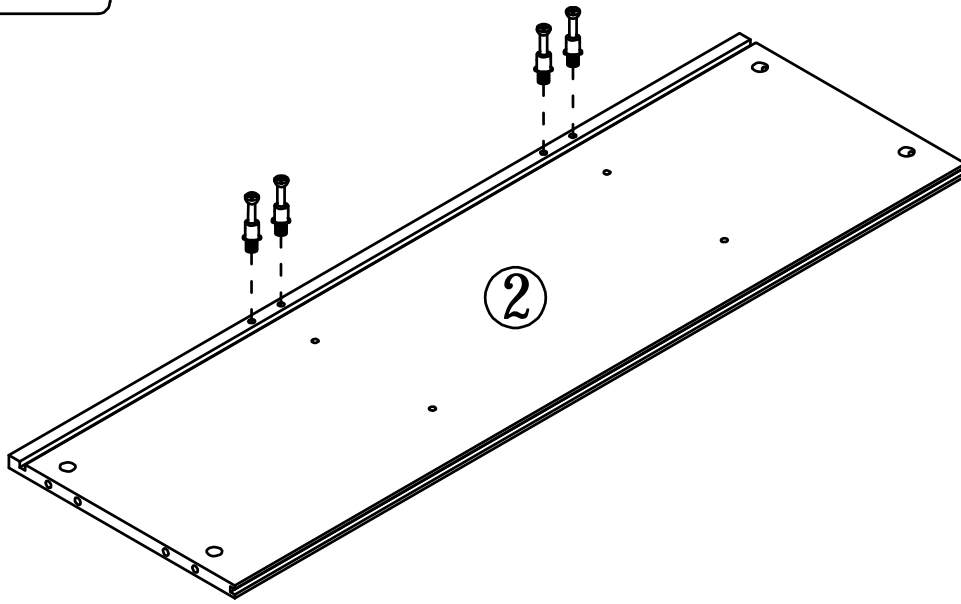
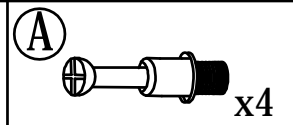


Step 5

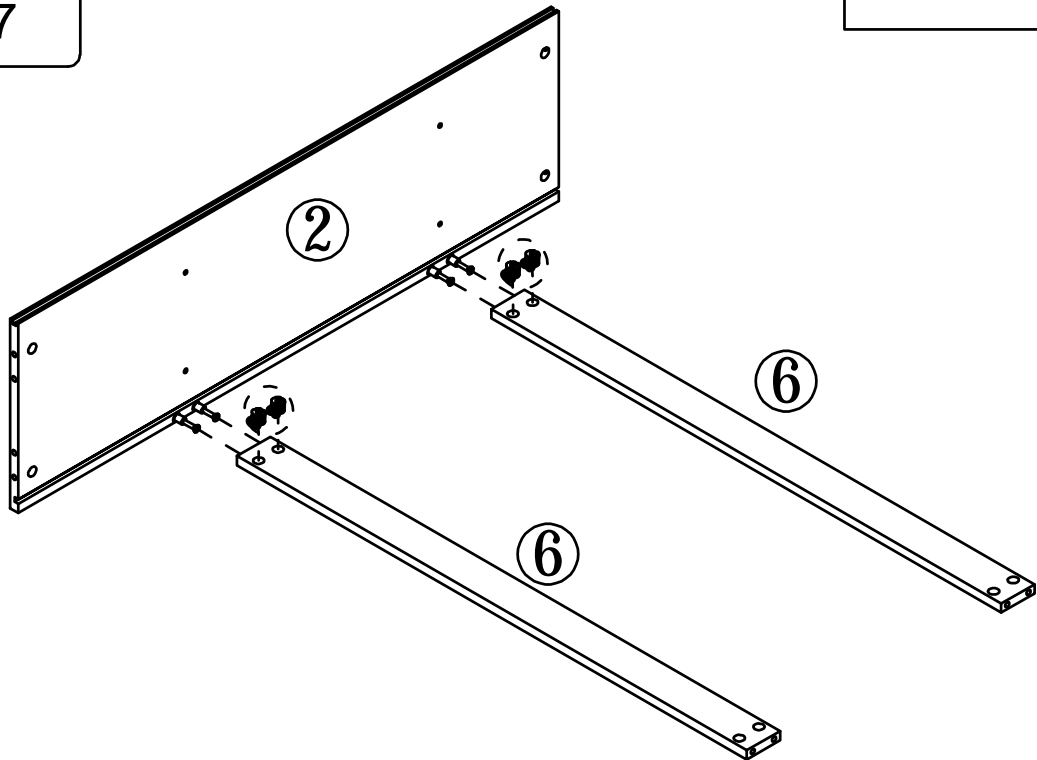


7

Step 6



Step 7

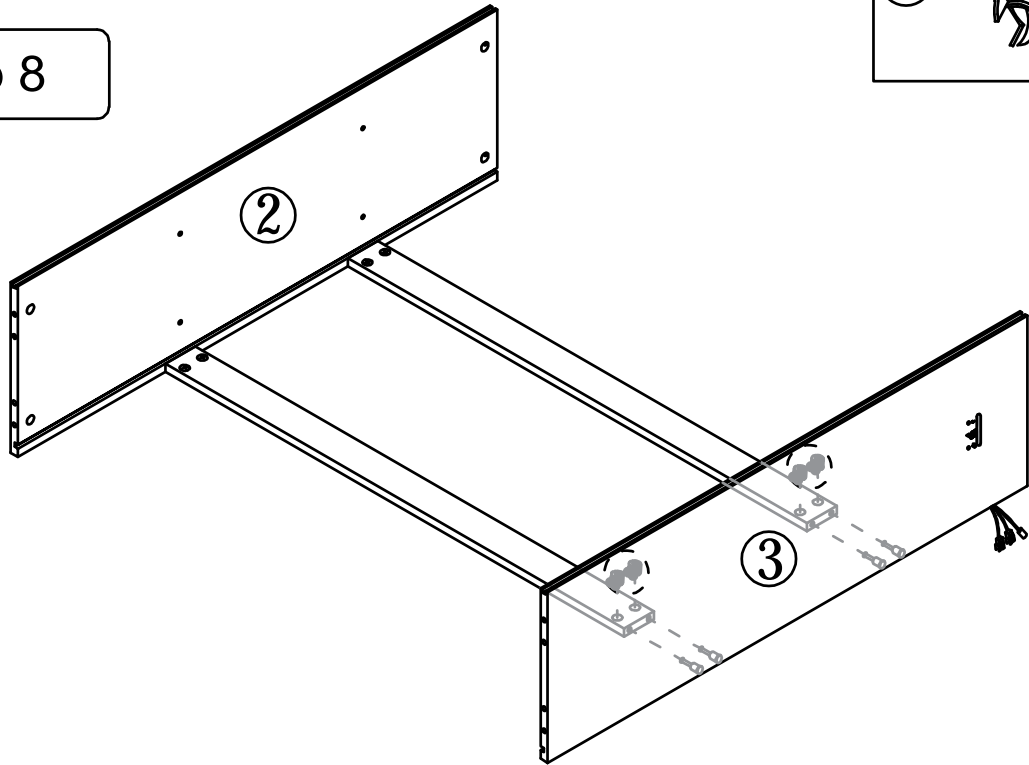


Step 8

Ⓑ



x4

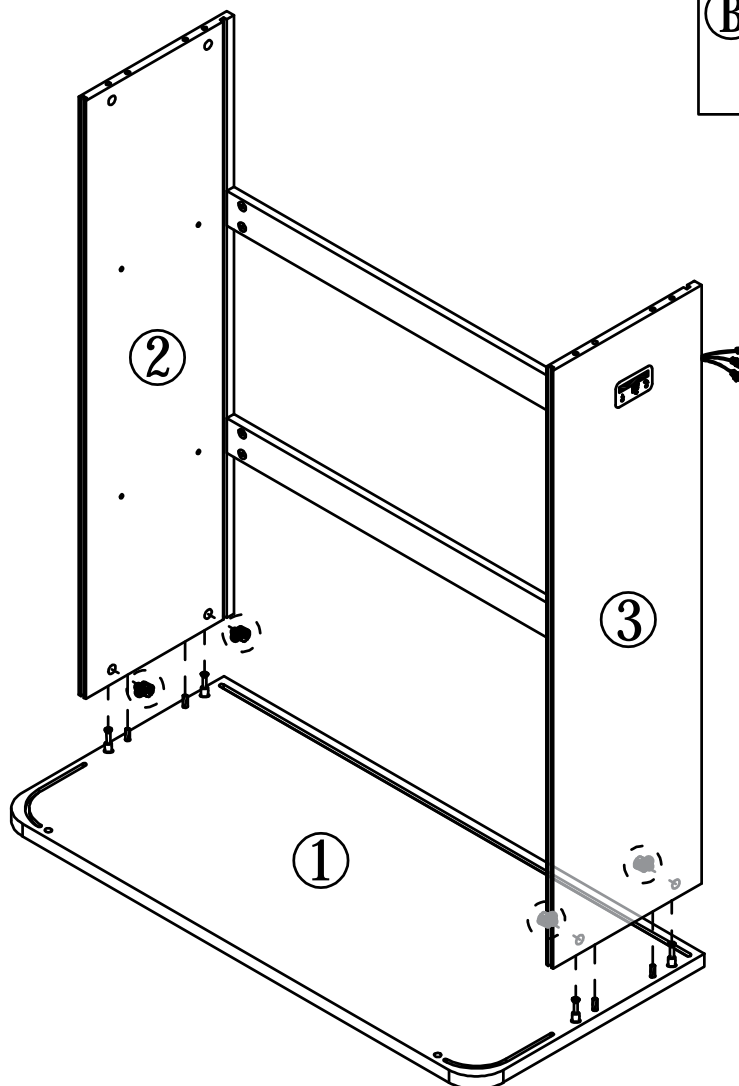


Step 9

Ⓑ

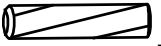


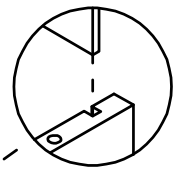
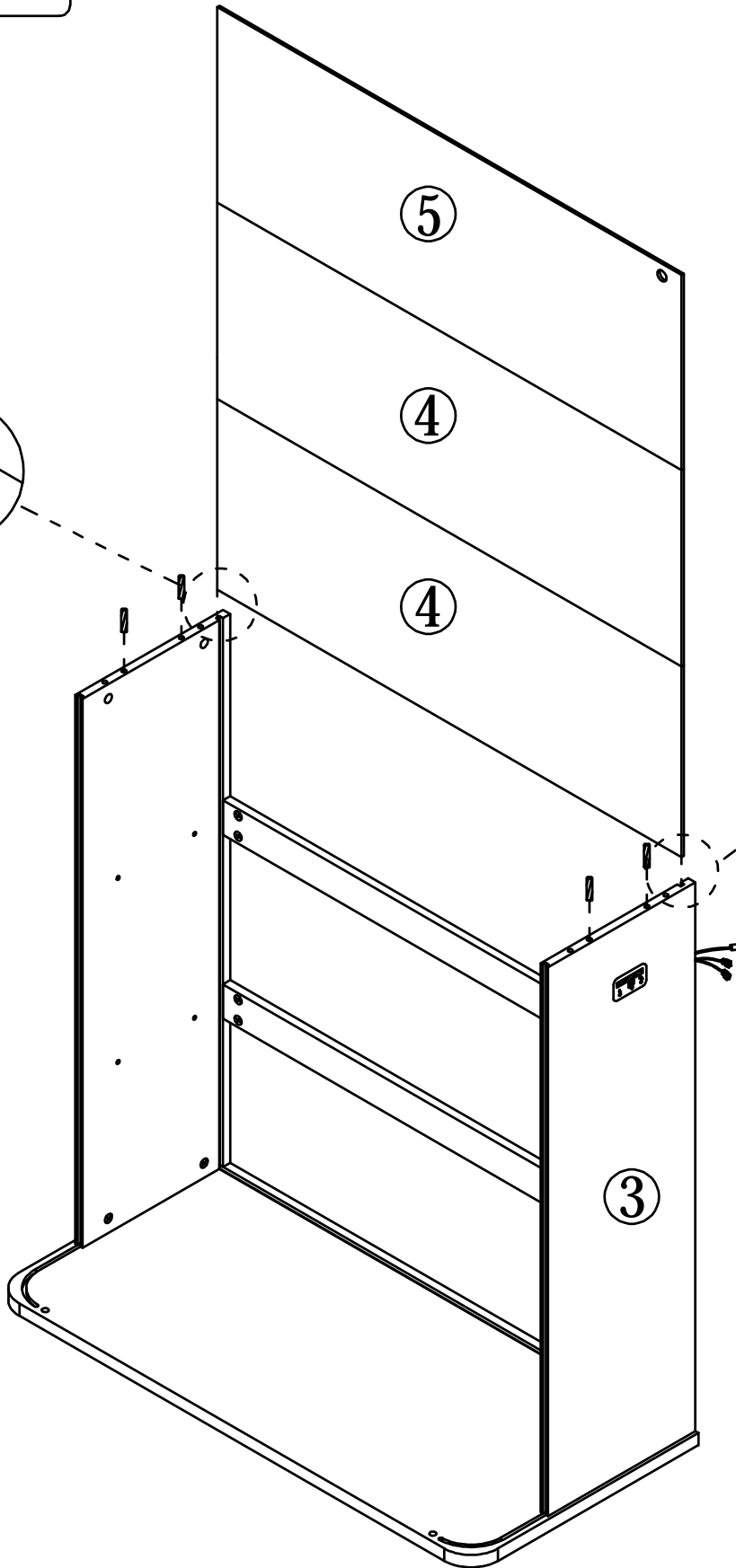
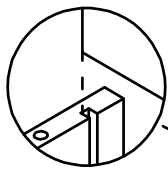
x4



9

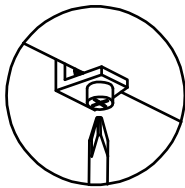
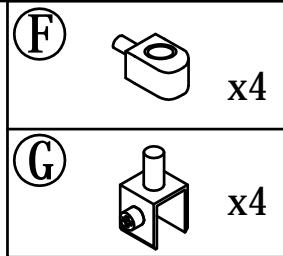
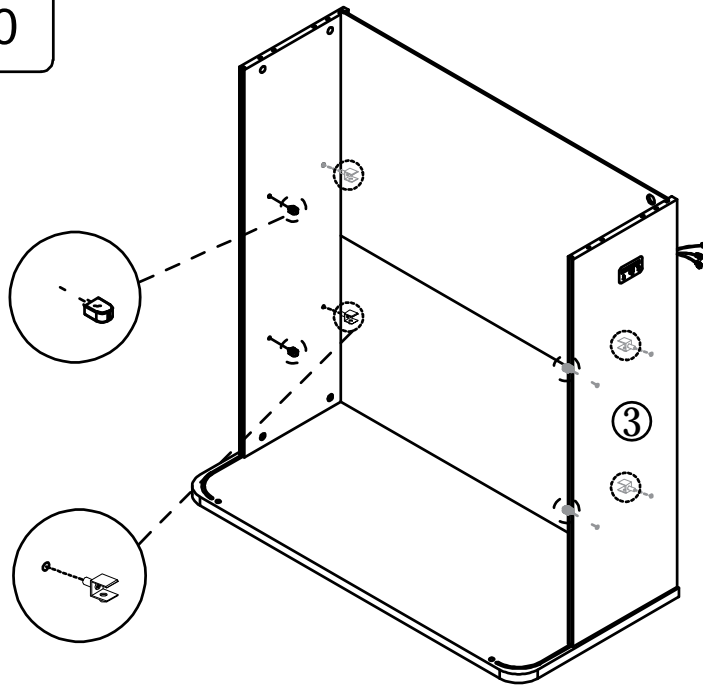
Step 10

Ⓒ  x4



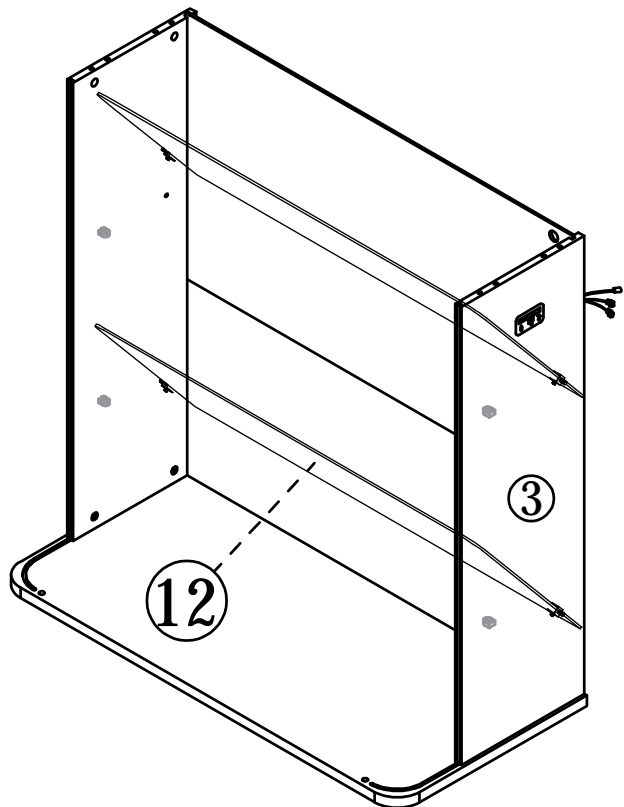
10

Step 10

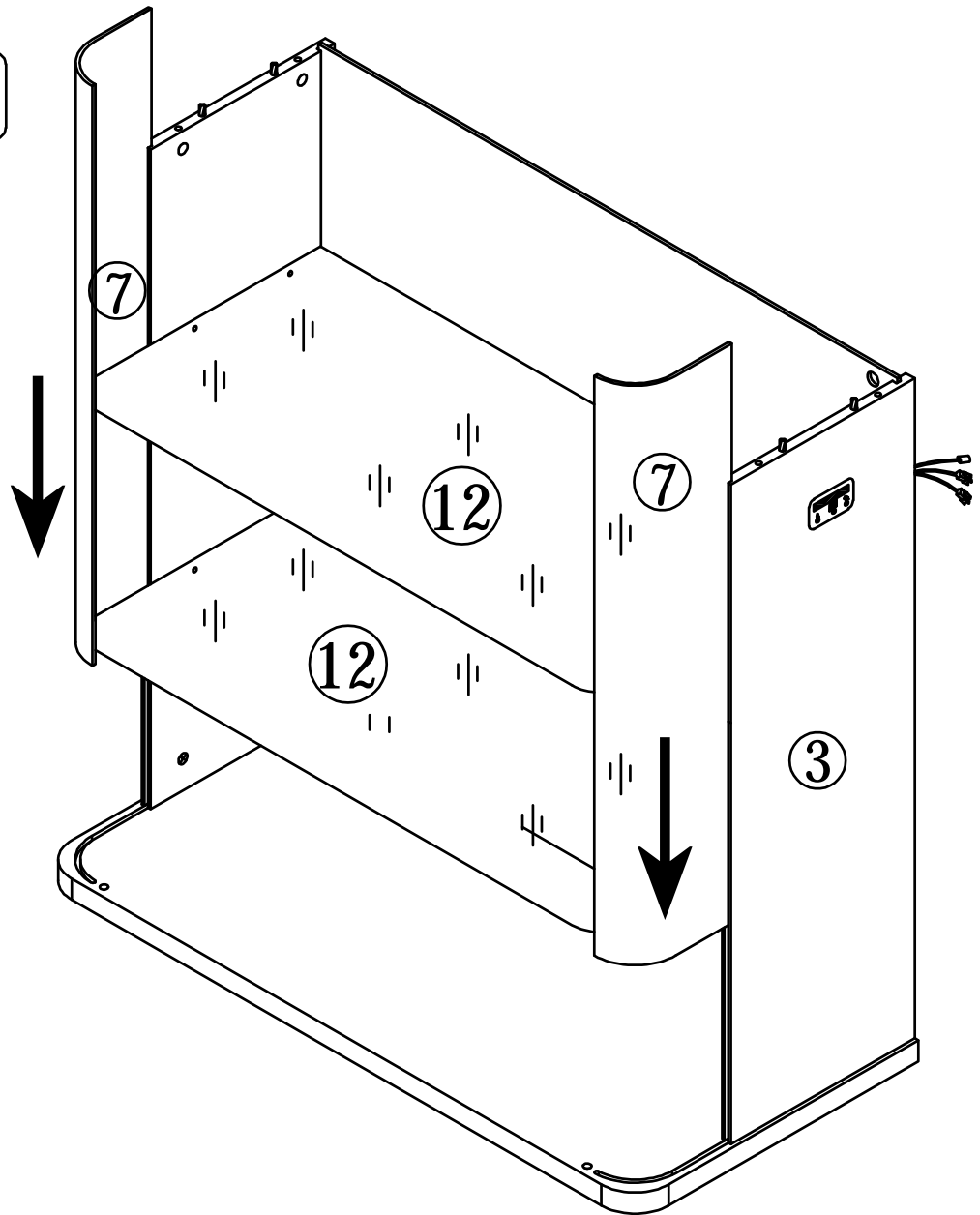


Note: after installing the 12 board, lock the pallet.

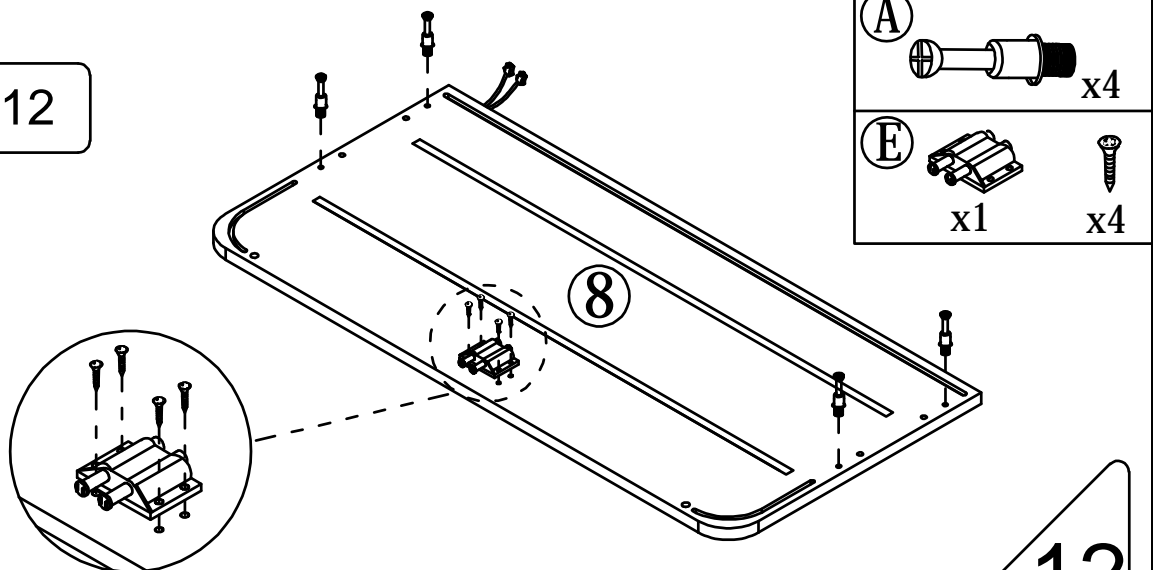
Insert into the cabinet by tilting it left and right first, then insert the shelf into the shelf clip at an upward angle of 45–90 degrees, and finally lay the shelf flat.



Step 11



Step 12



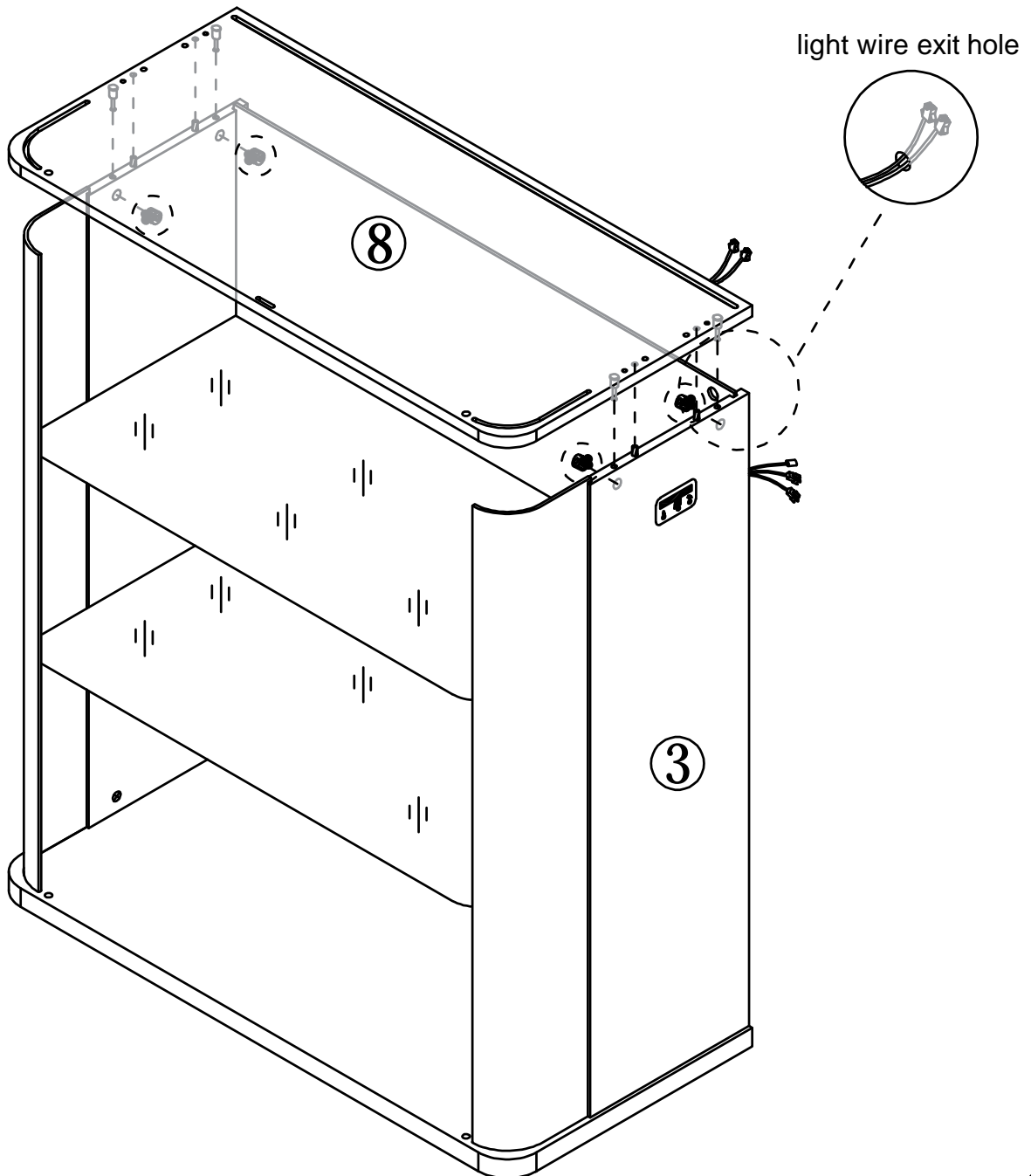
Step 13

Ⓑ

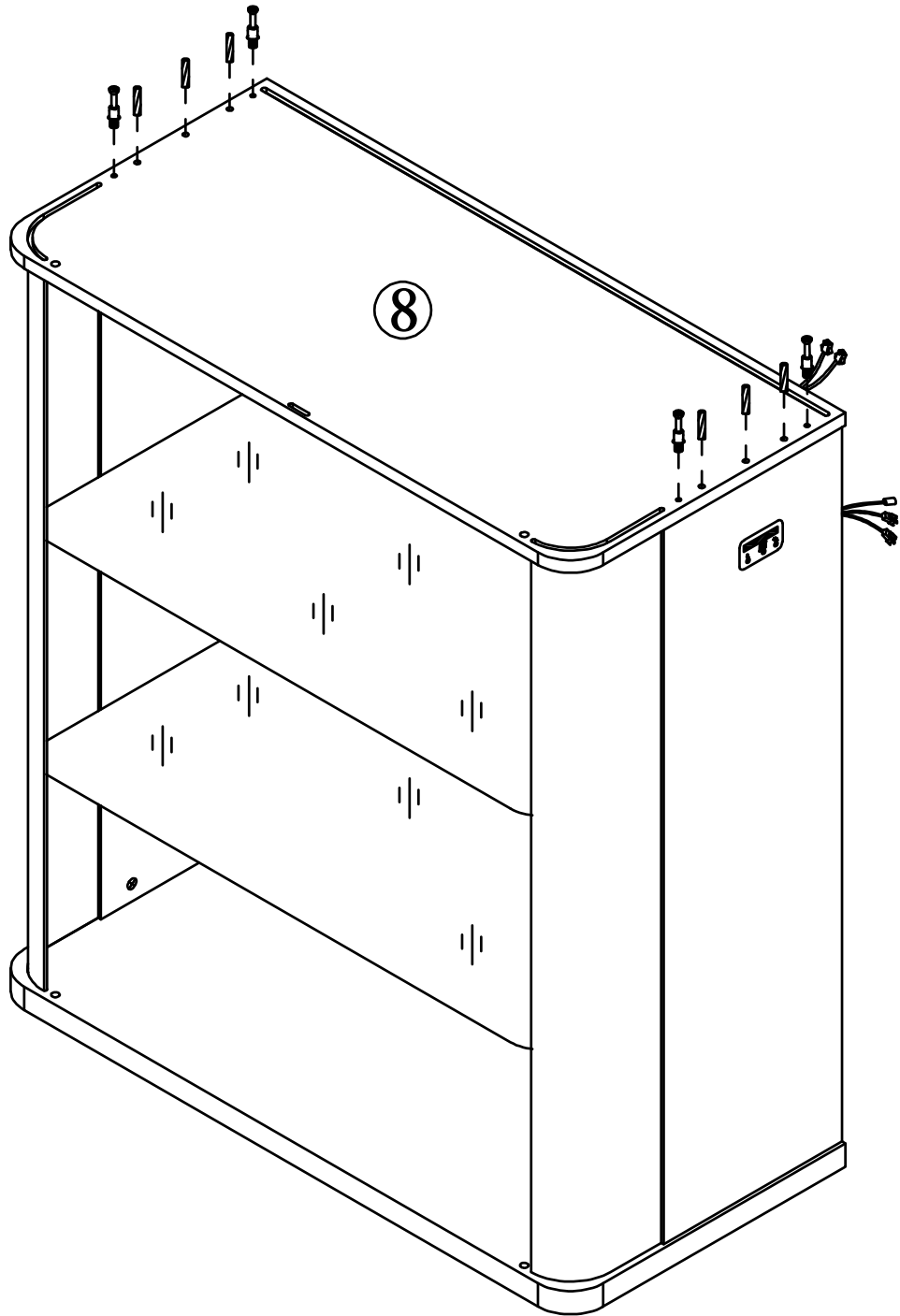
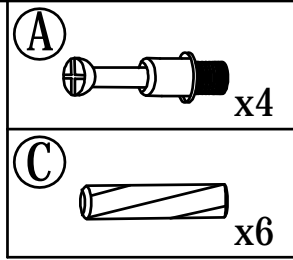


x4

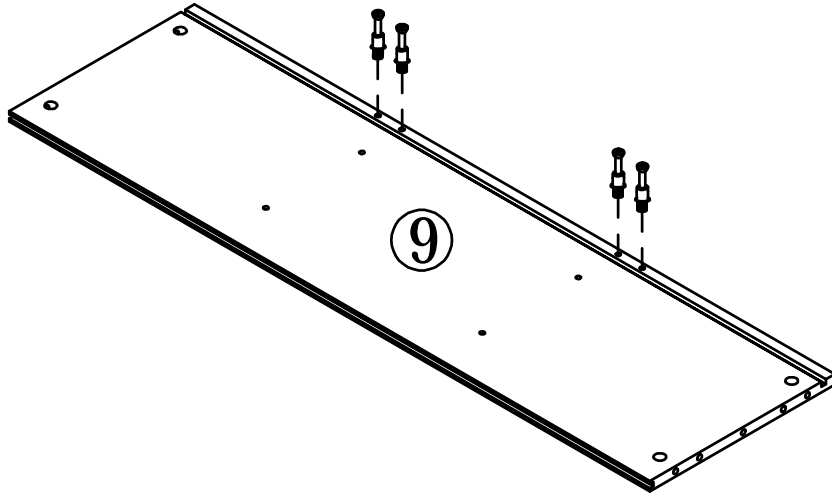
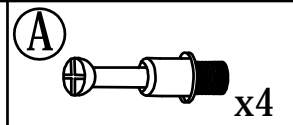
Note: thread the lamp wire through the hole in the back plate.



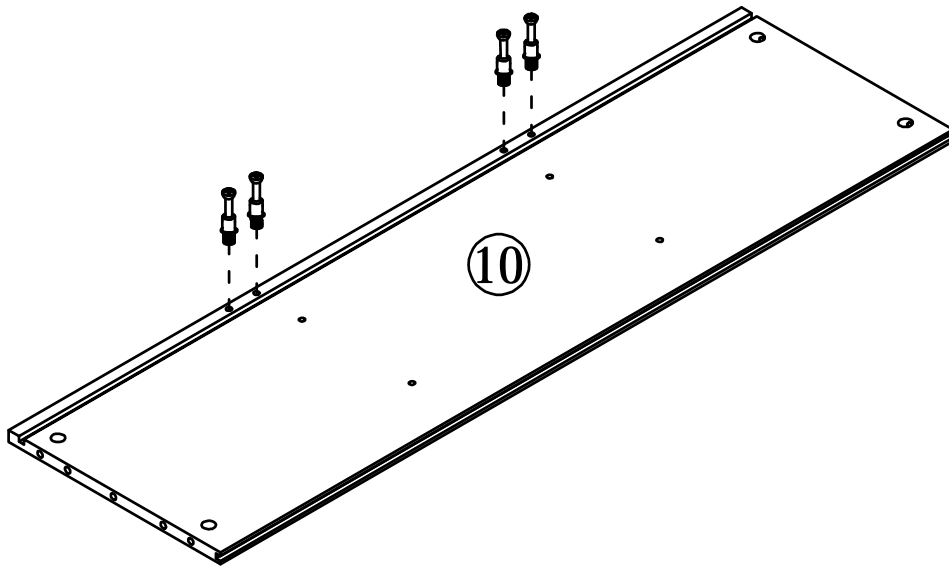
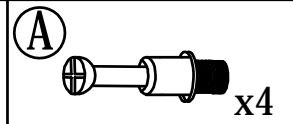
Step 14



Step 15



Step 16

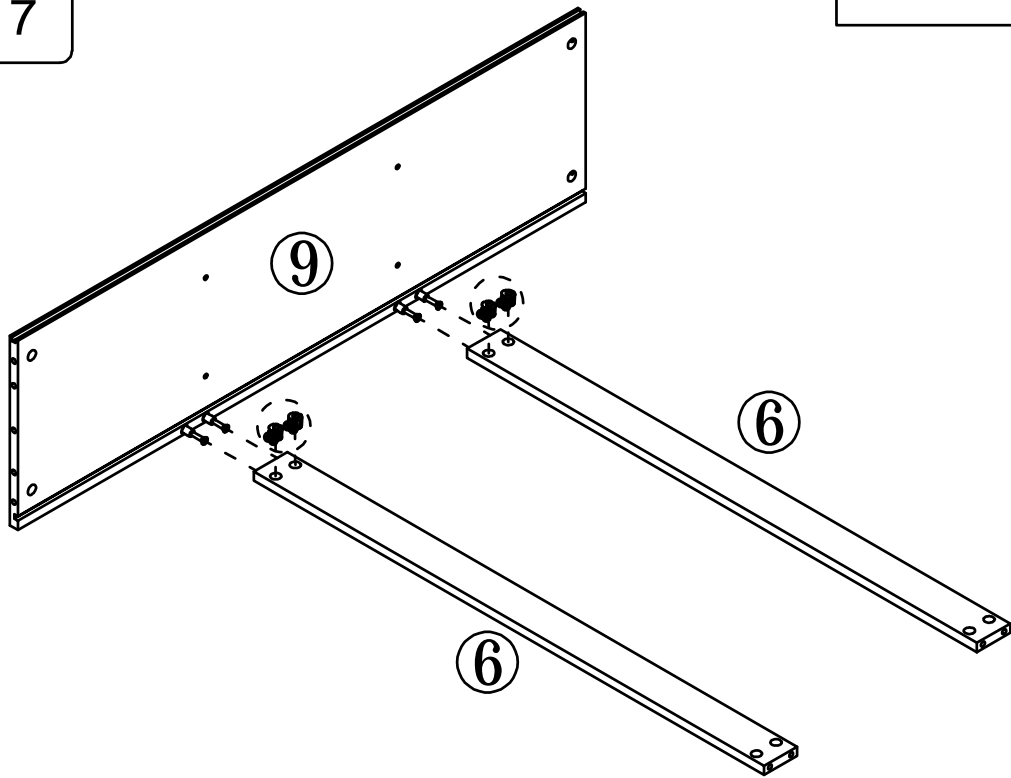


Step 17

(B)



x4

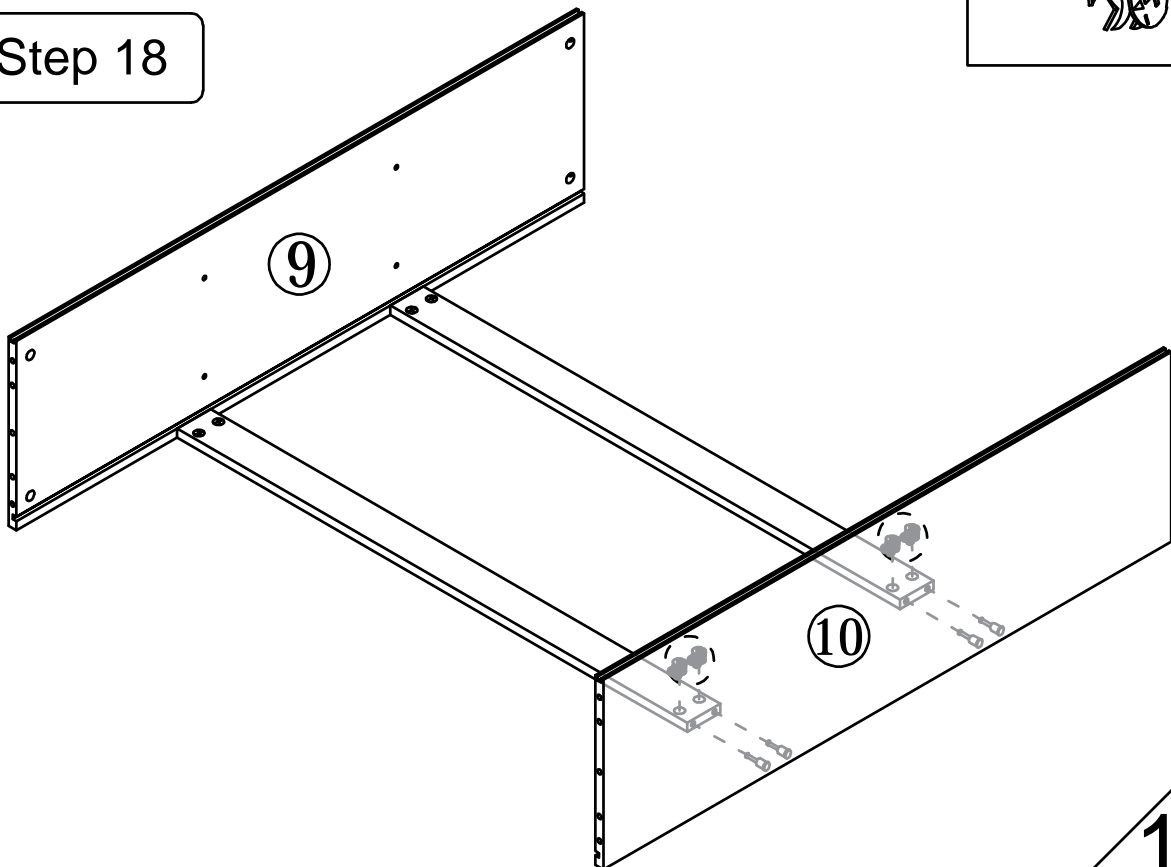


Step 18

(B)



x4



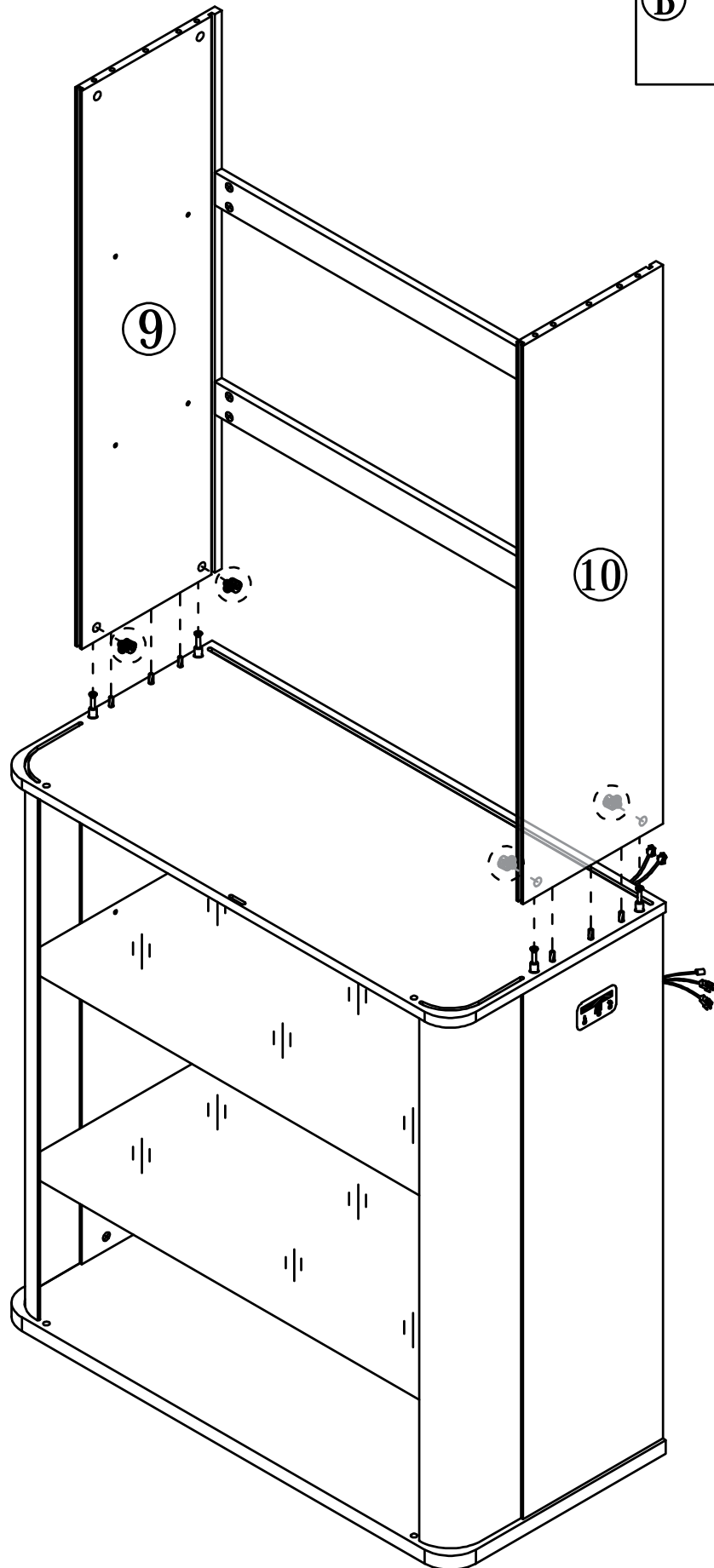
16

Step 19

(B)

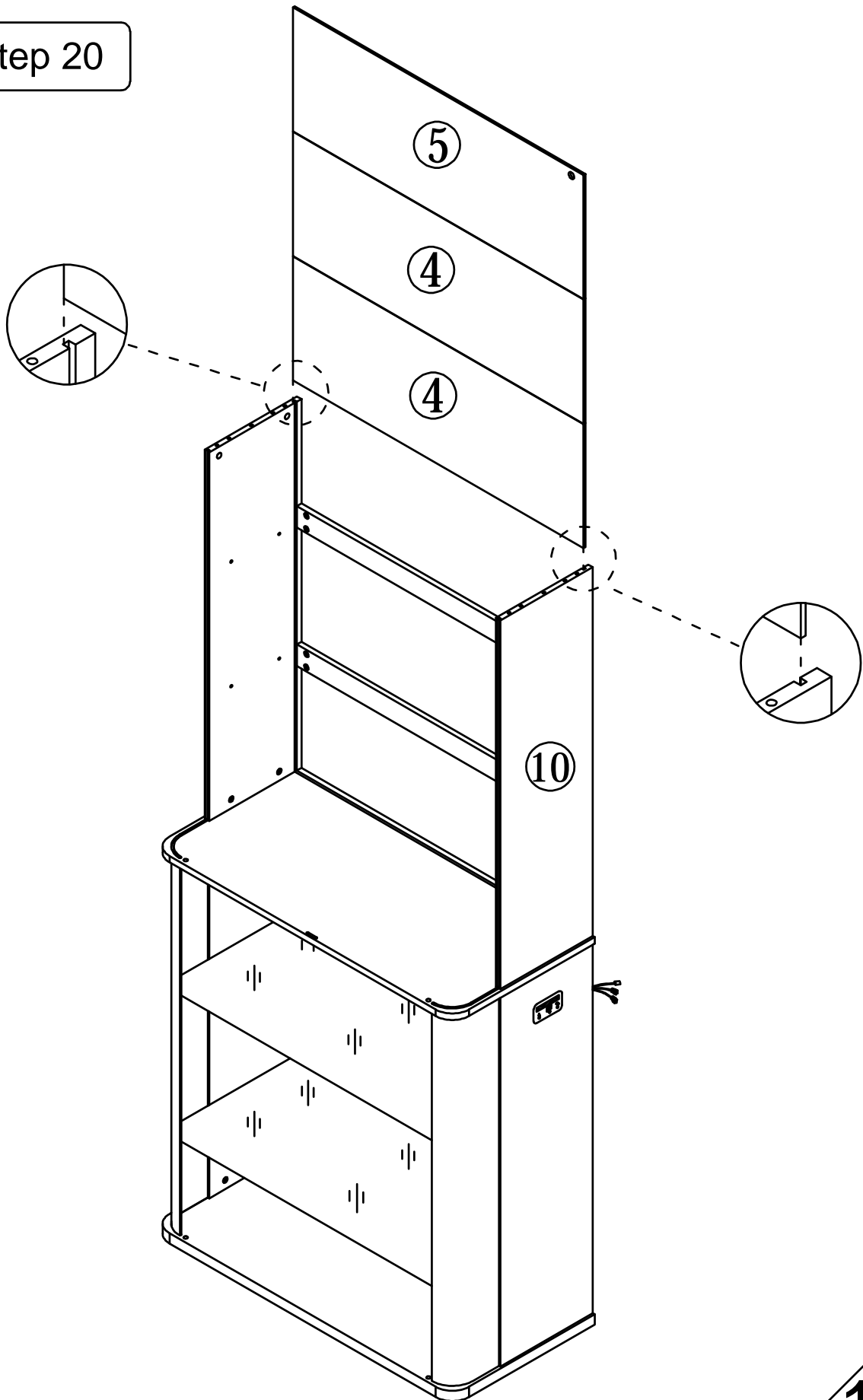


x4





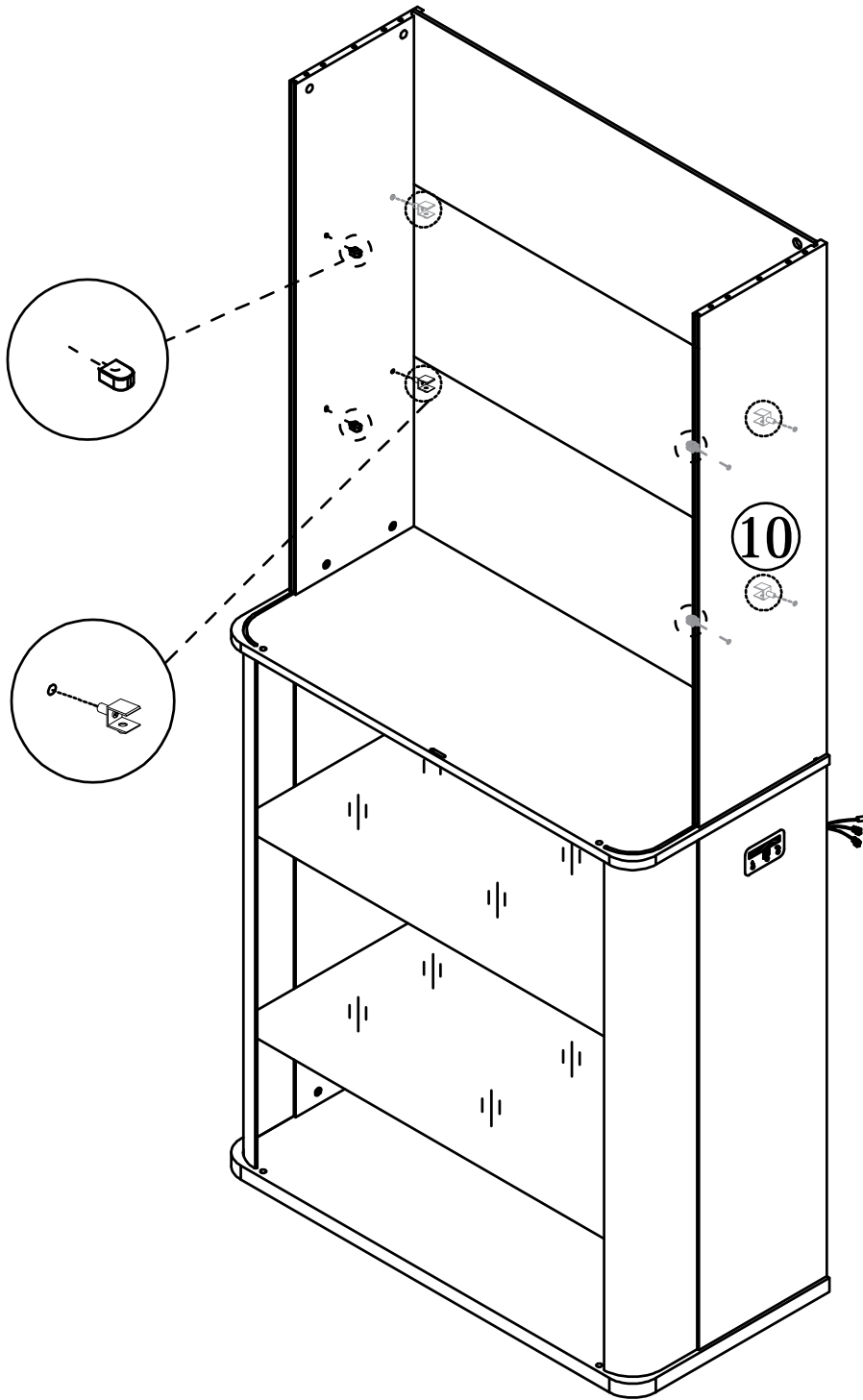
17

Step 20

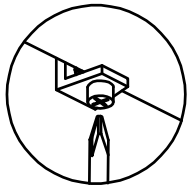


Step 21

- F**  x4
- G**  x4

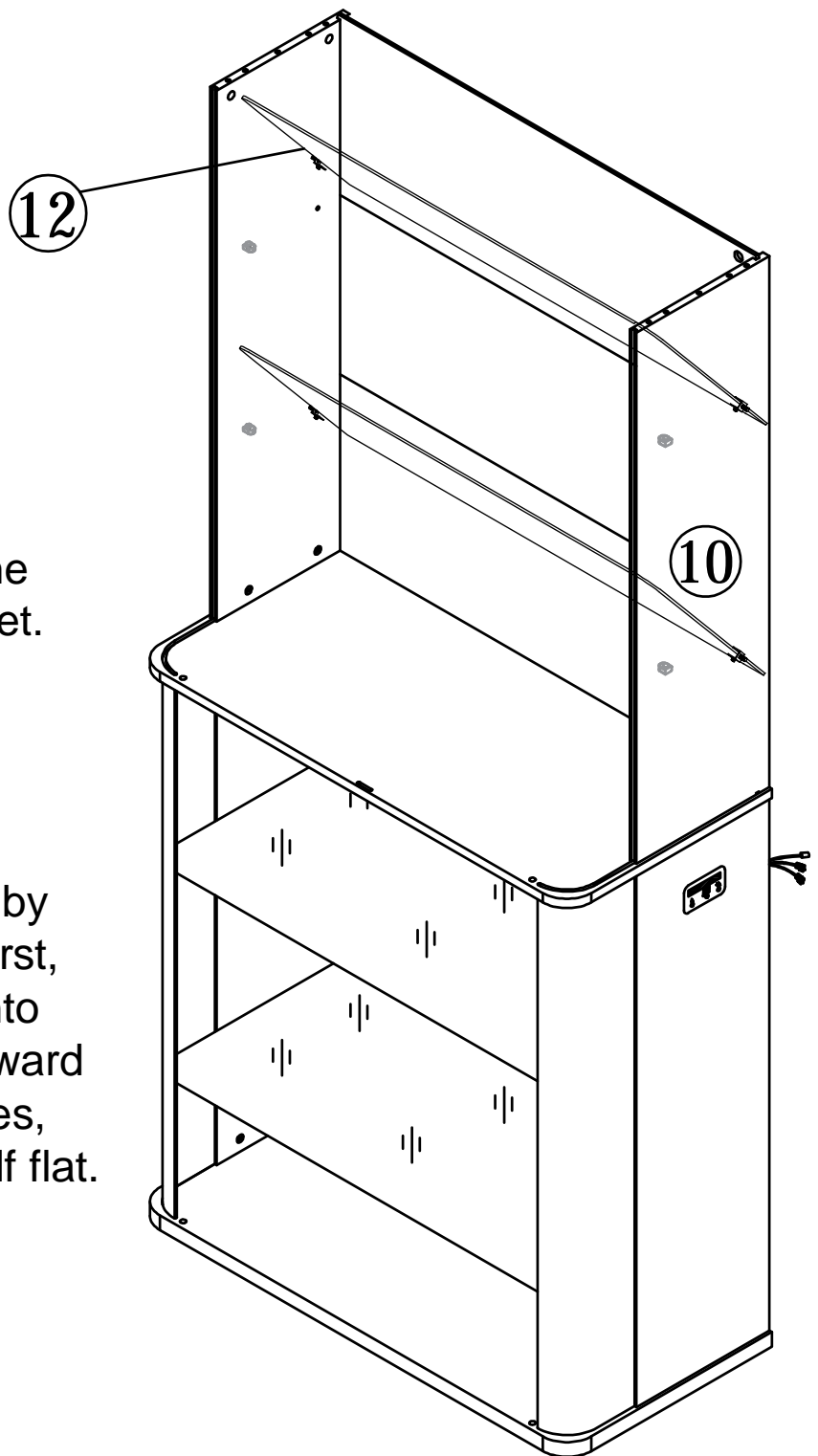


Step 22

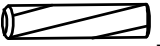


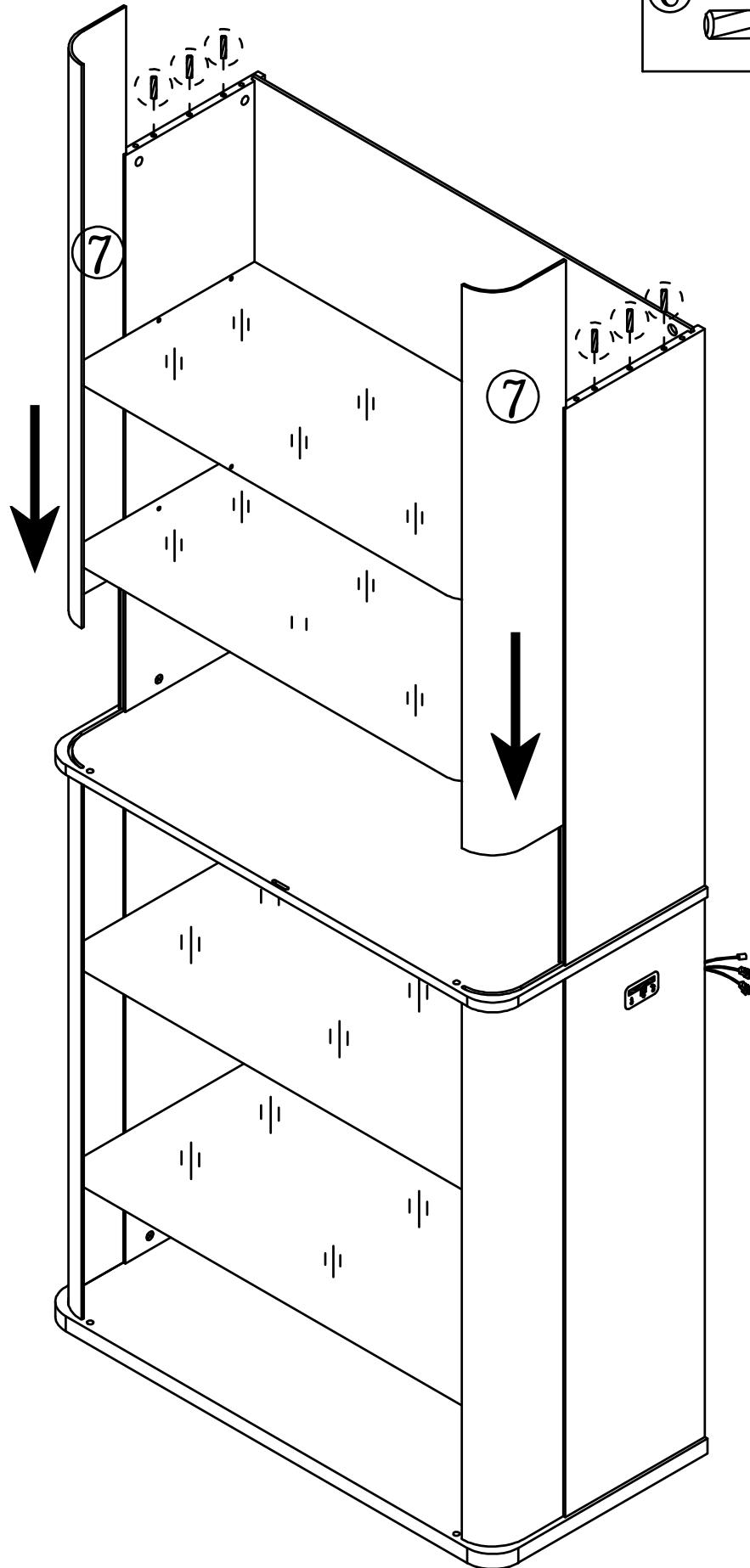
Note: after installing the 12 board, lock the pallet.

Insert into the cabinet by tilting it left and right first, then insert the shelf into the shelf clip at an upward angle of 45–90 degrees, and finally lay the shelf flat.

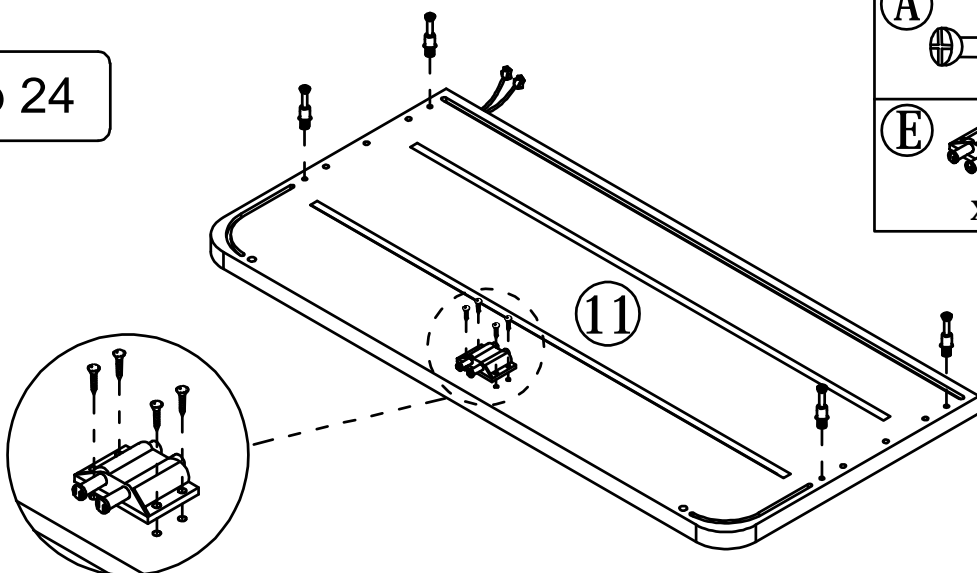


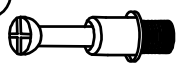


Step 23

Ⓒ  x6

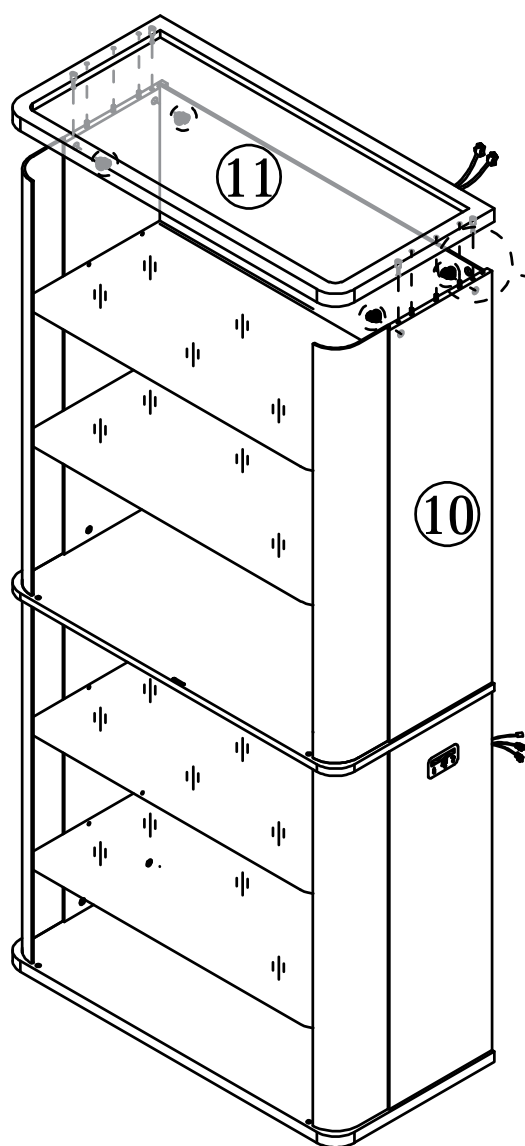


Step 24



- (A)  x4
- (E)  x1  x4

Step 25



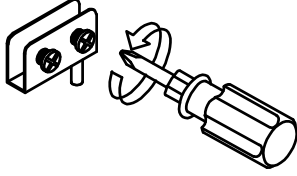
- (B)  x4

light wire exit hole

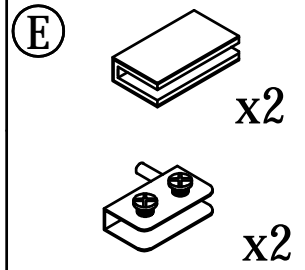
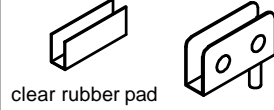
Note: thread the lamp wire through the hole in the back plate.

Step 26

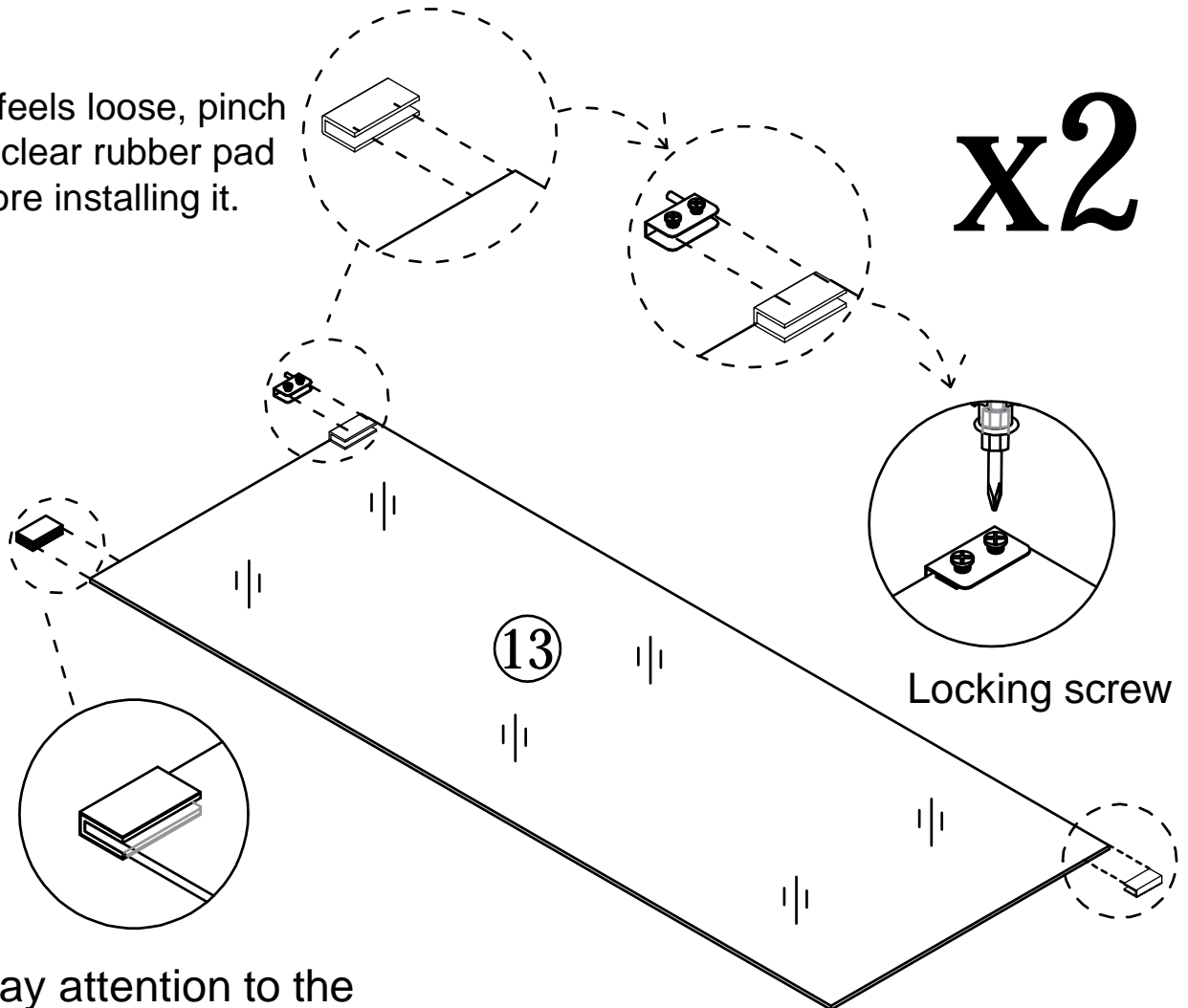
First, completely unscrew the screws on the parts



Place the transparent rubber pad first, then install the hinge, and finally tighten the screws.

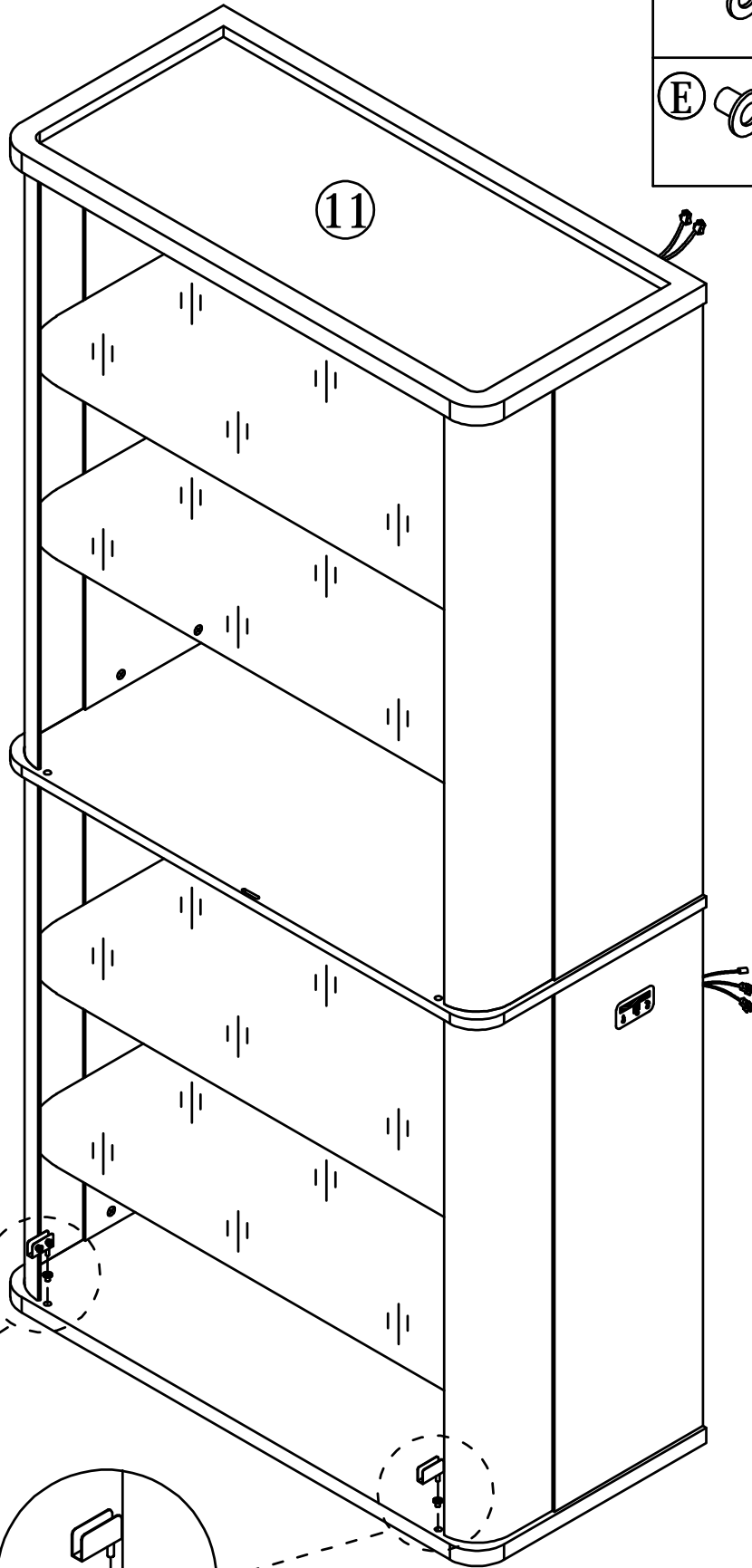
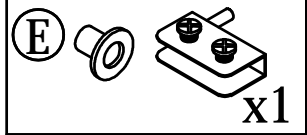
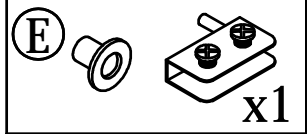


If it feels loose, pinch the clear rubber pad before installing it.



Pay attention to the direction of the door hinge, and rotate the screws to compress the white gasket

Step 28



Step 29

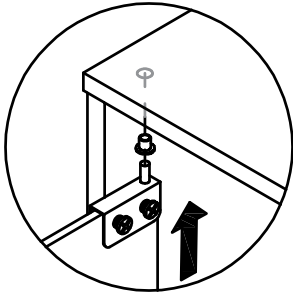
Pay attention to the direction of the door hinge during installation

ⓔ

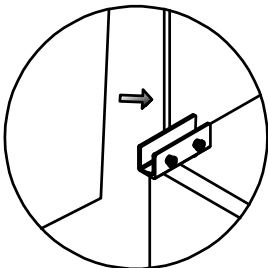


x2

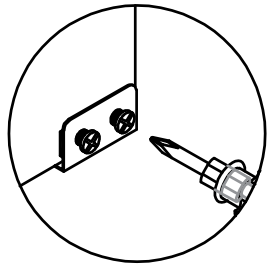
When installing a glass door, it is recommended to have two people install it to avoid the glass door colliding or hitting oneself.



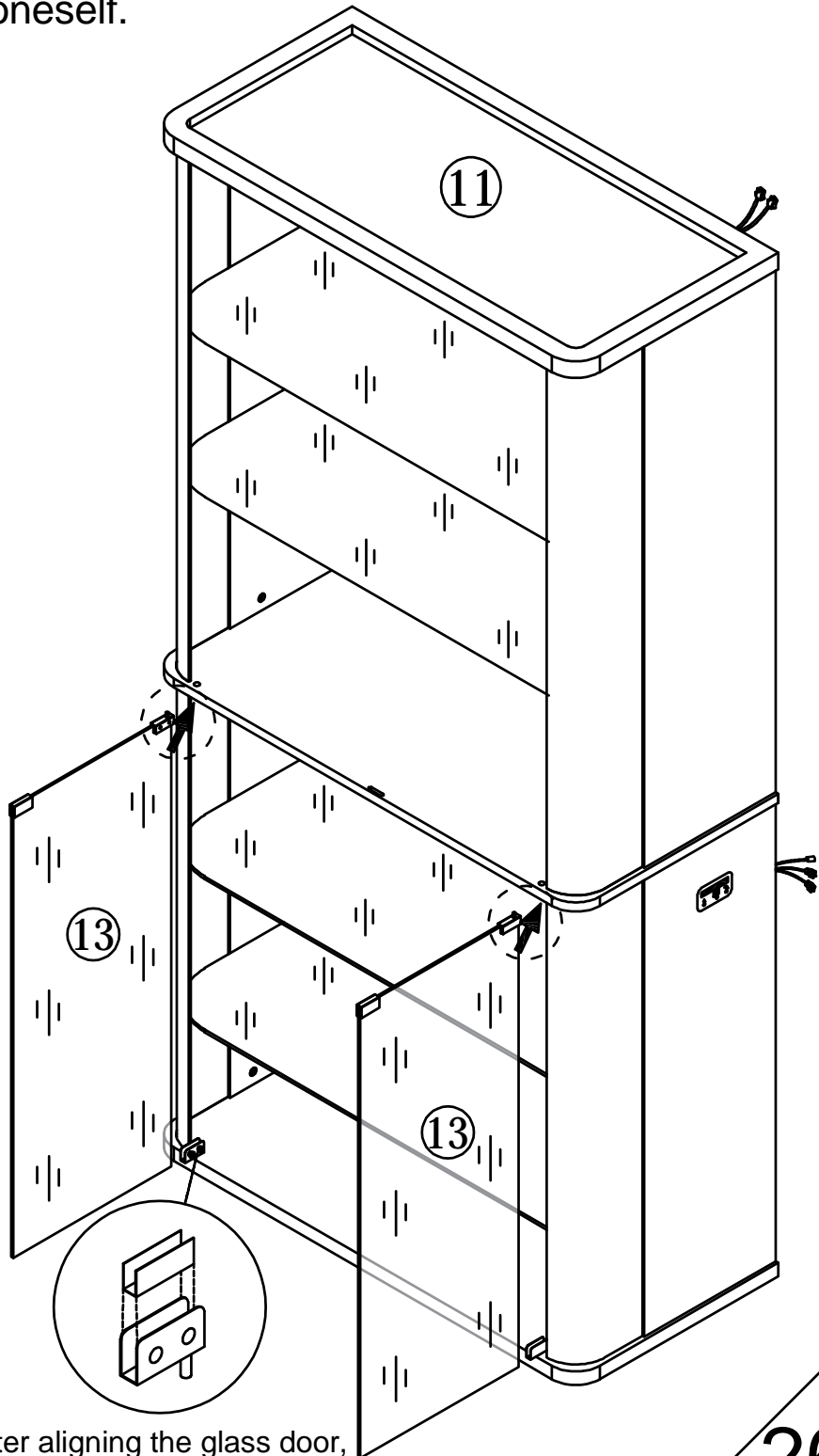
first



second



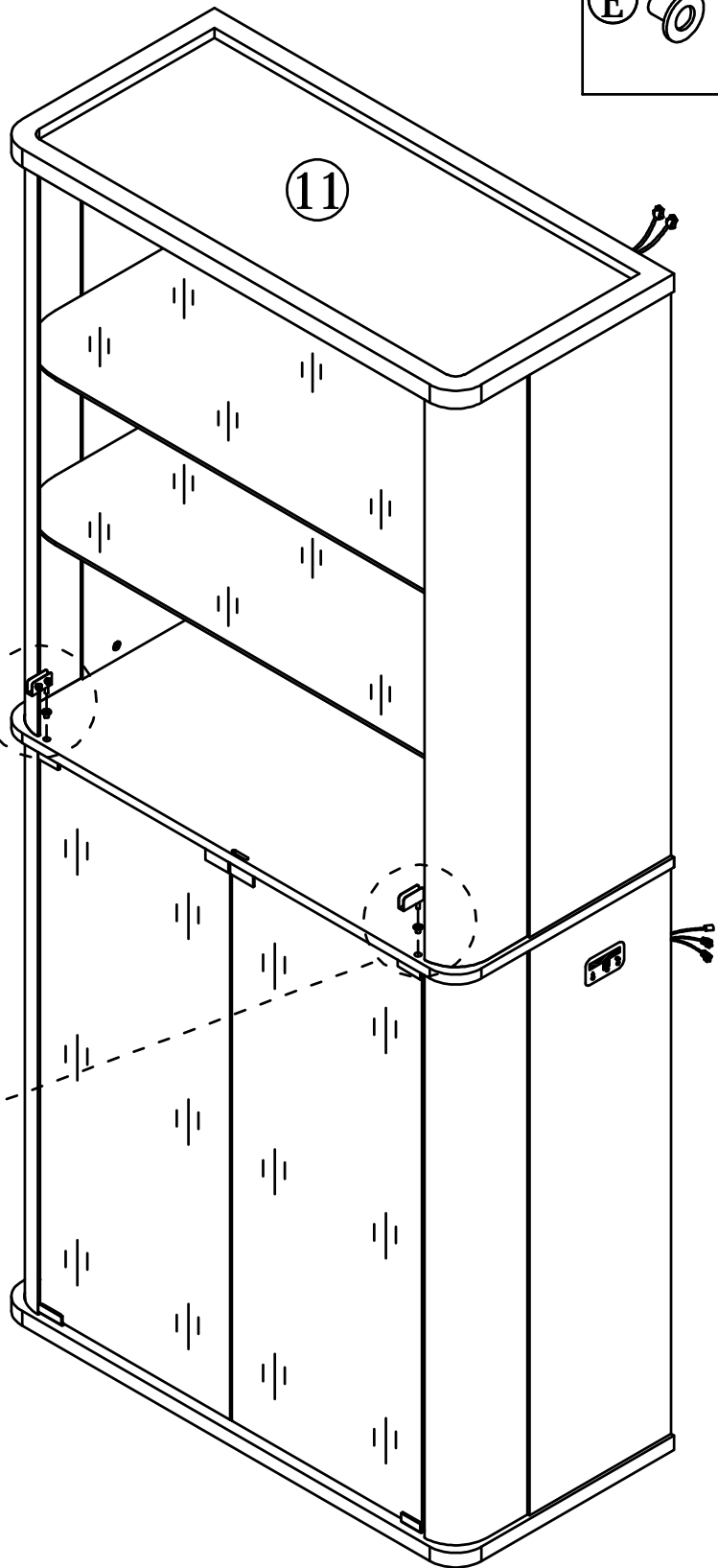
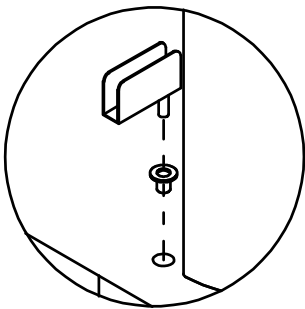
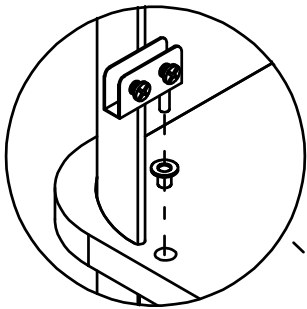
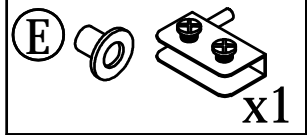
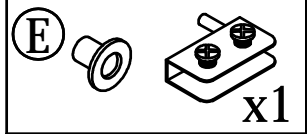
third
Locking screw



After aligning the glass door, tighten the screws to secure it.

26

Step 30



Step 31

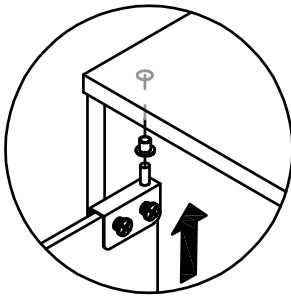
Pay attention to the direction of the door hinge during installation

(E)

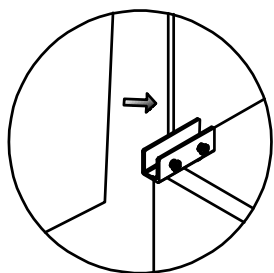


x2

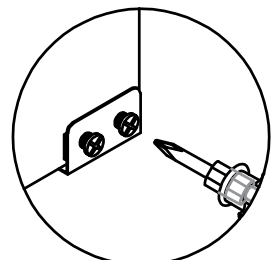
When installing a glass door, it is recommended to have two people install it to avoid the glass door colliding or hitting oneself.



first

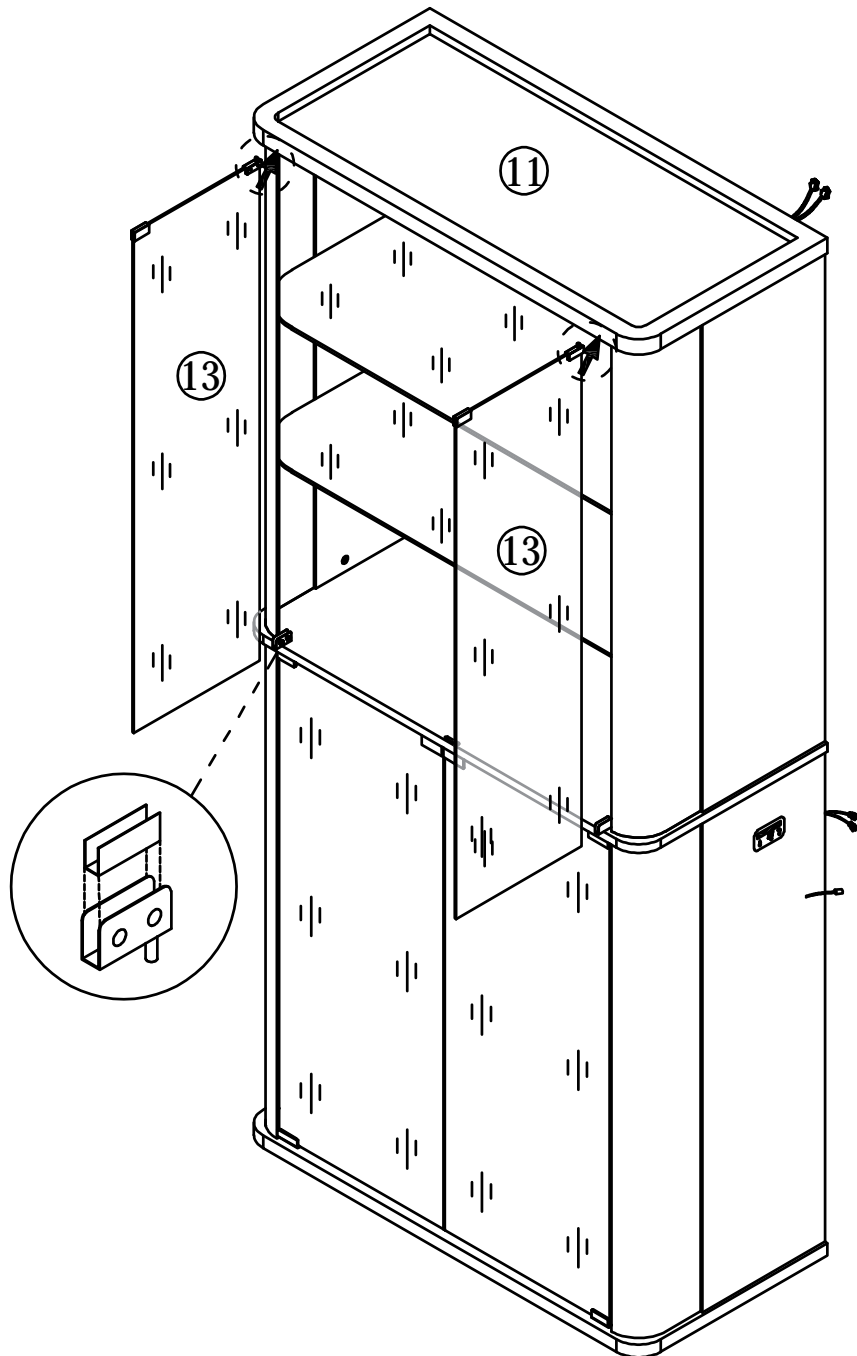


second



third

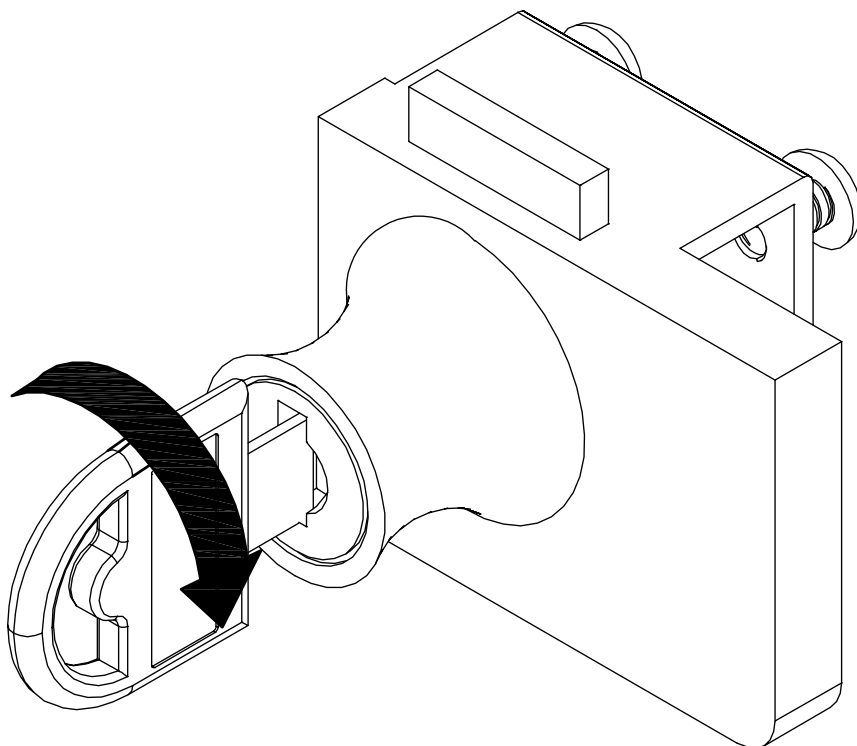
Locking screw



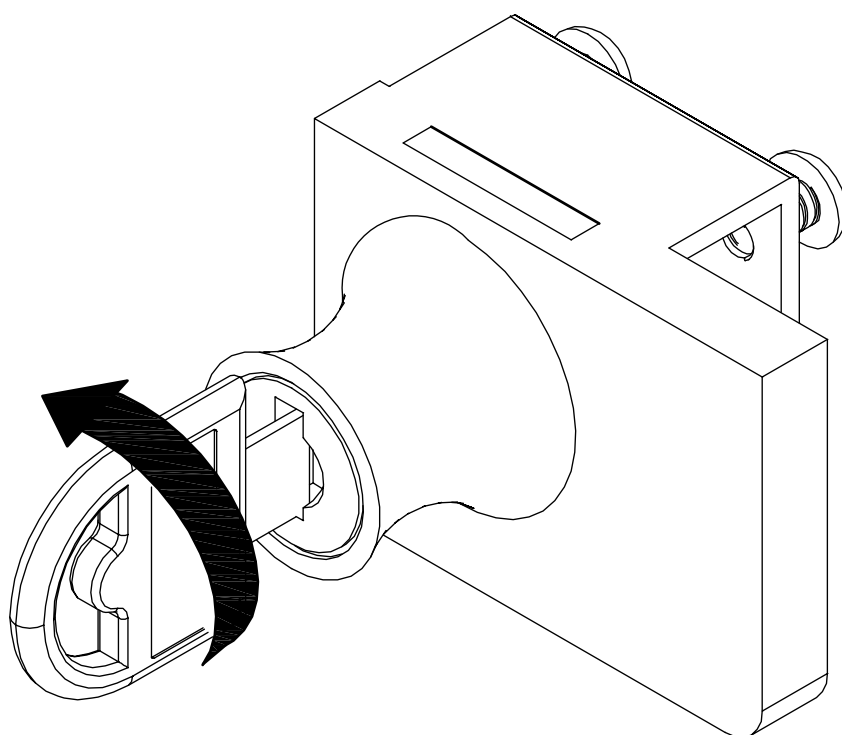
After aligning the glass door, tighten the screws to secure it.

28

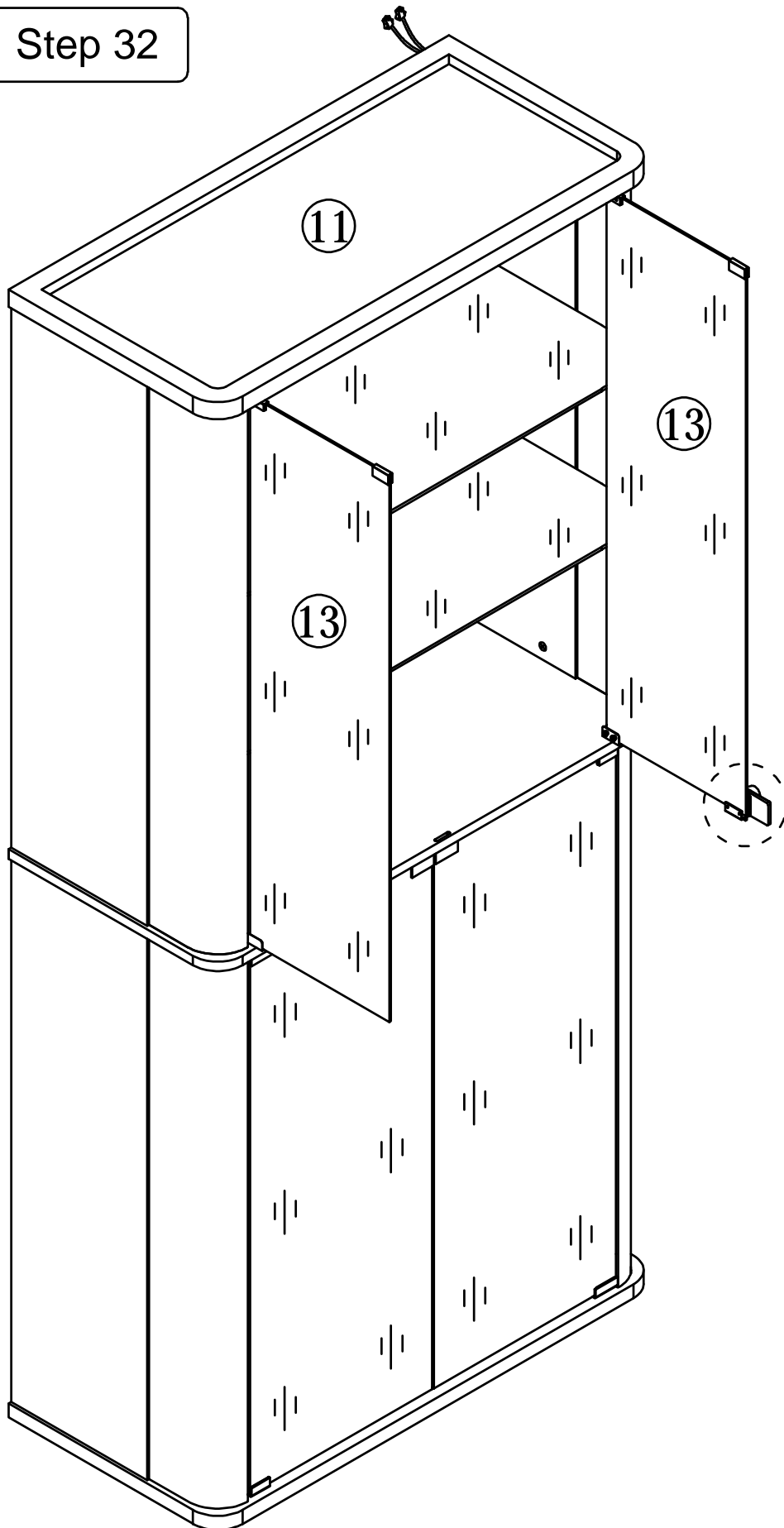
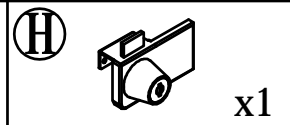
Turn clockwise to lock the door.



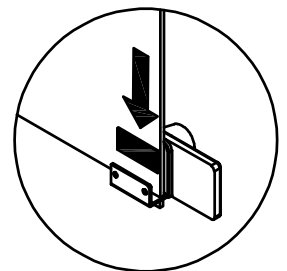
Turn counterclockwise to unlock the door.



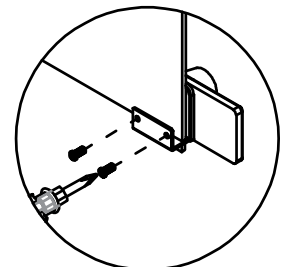
Step 32



first

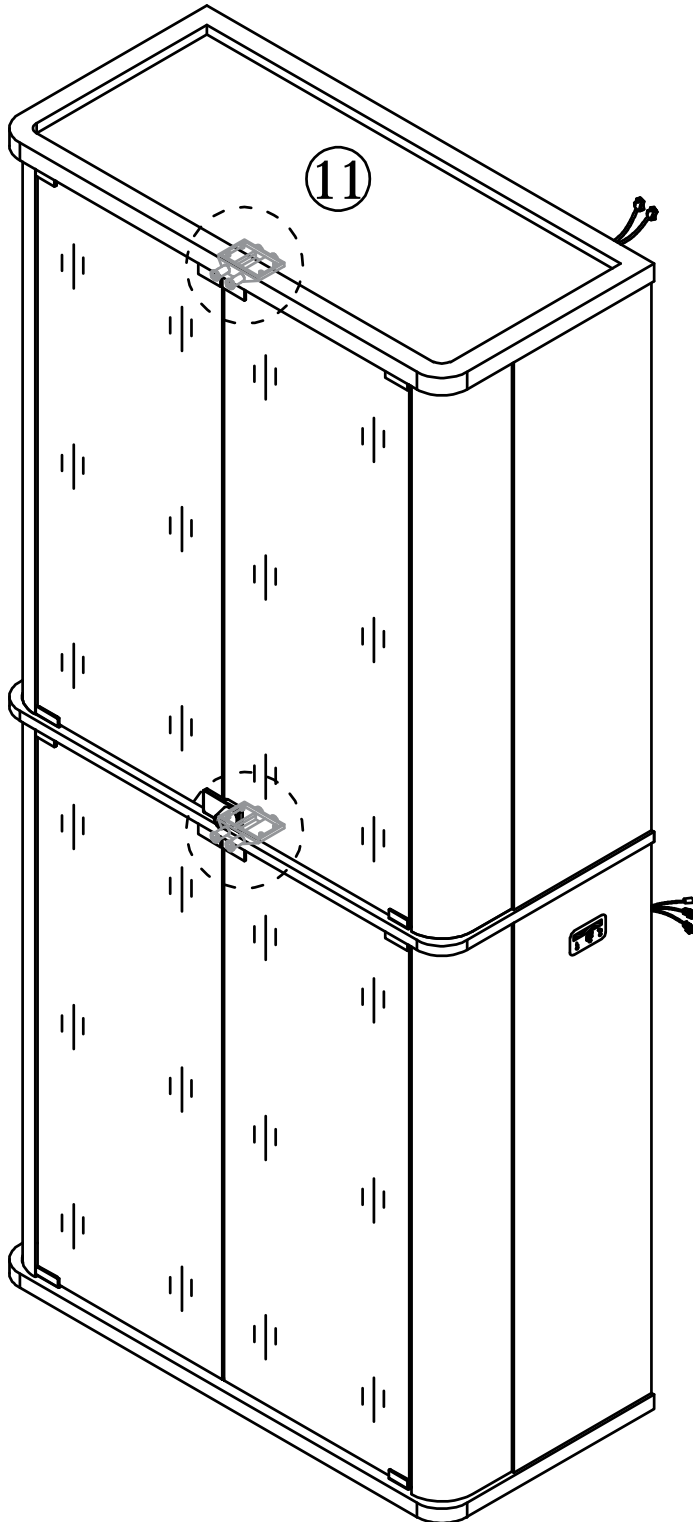


second

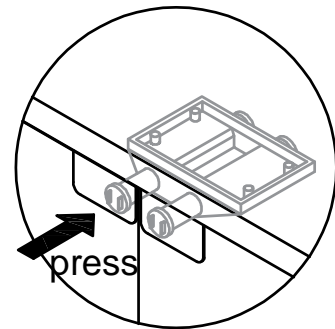


Step 33

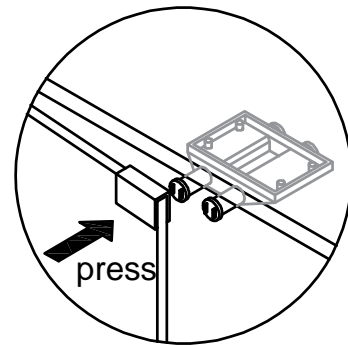
The rebound device automatically opens and closes by pressing





Open the glass door



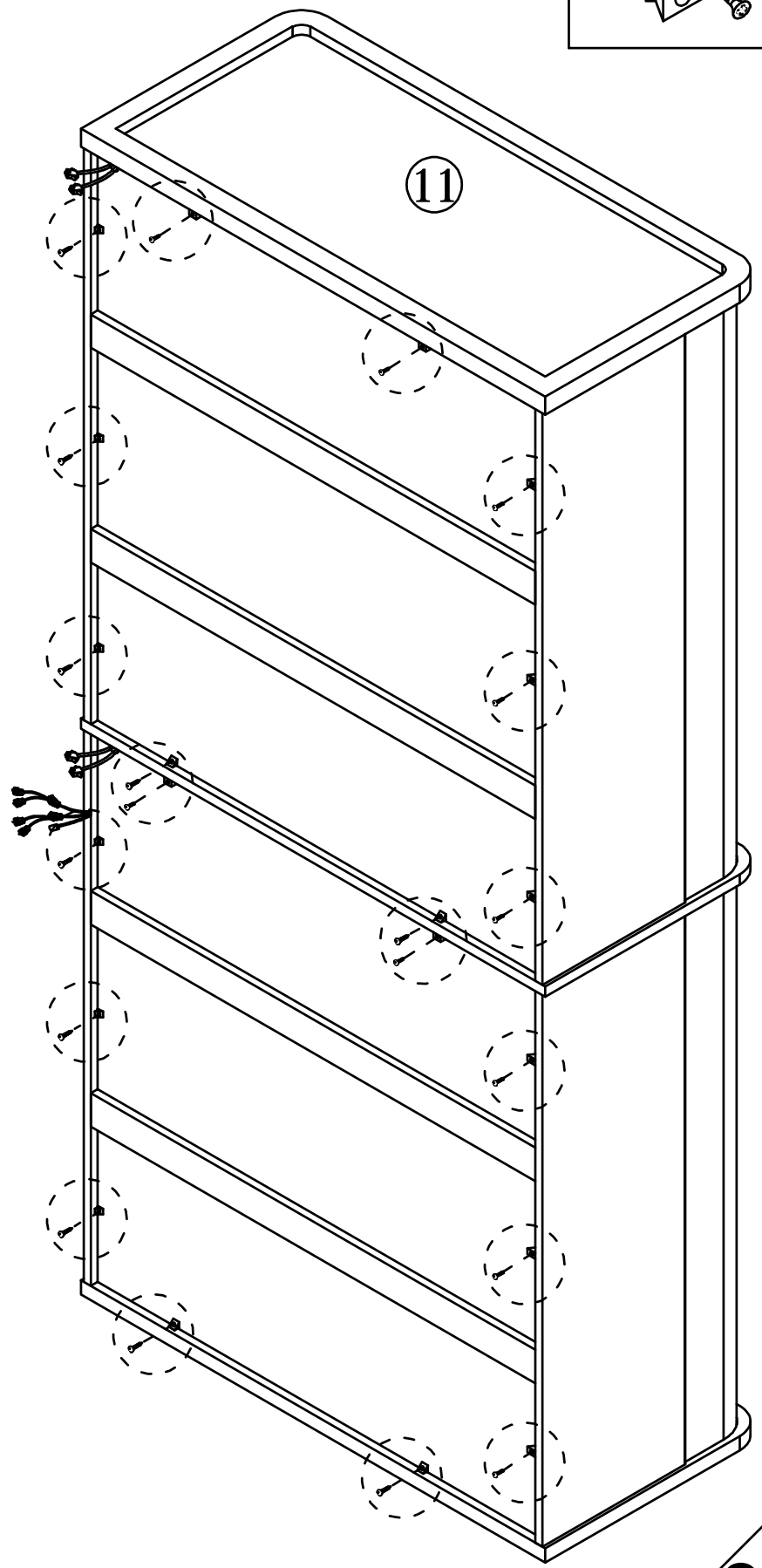
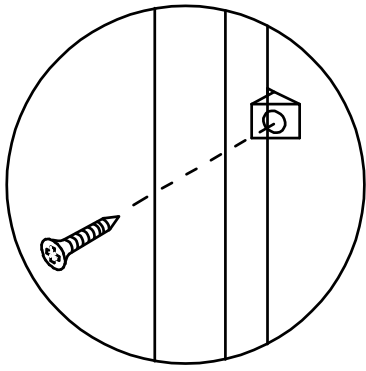
Close the glass door



Step 34

I   x20

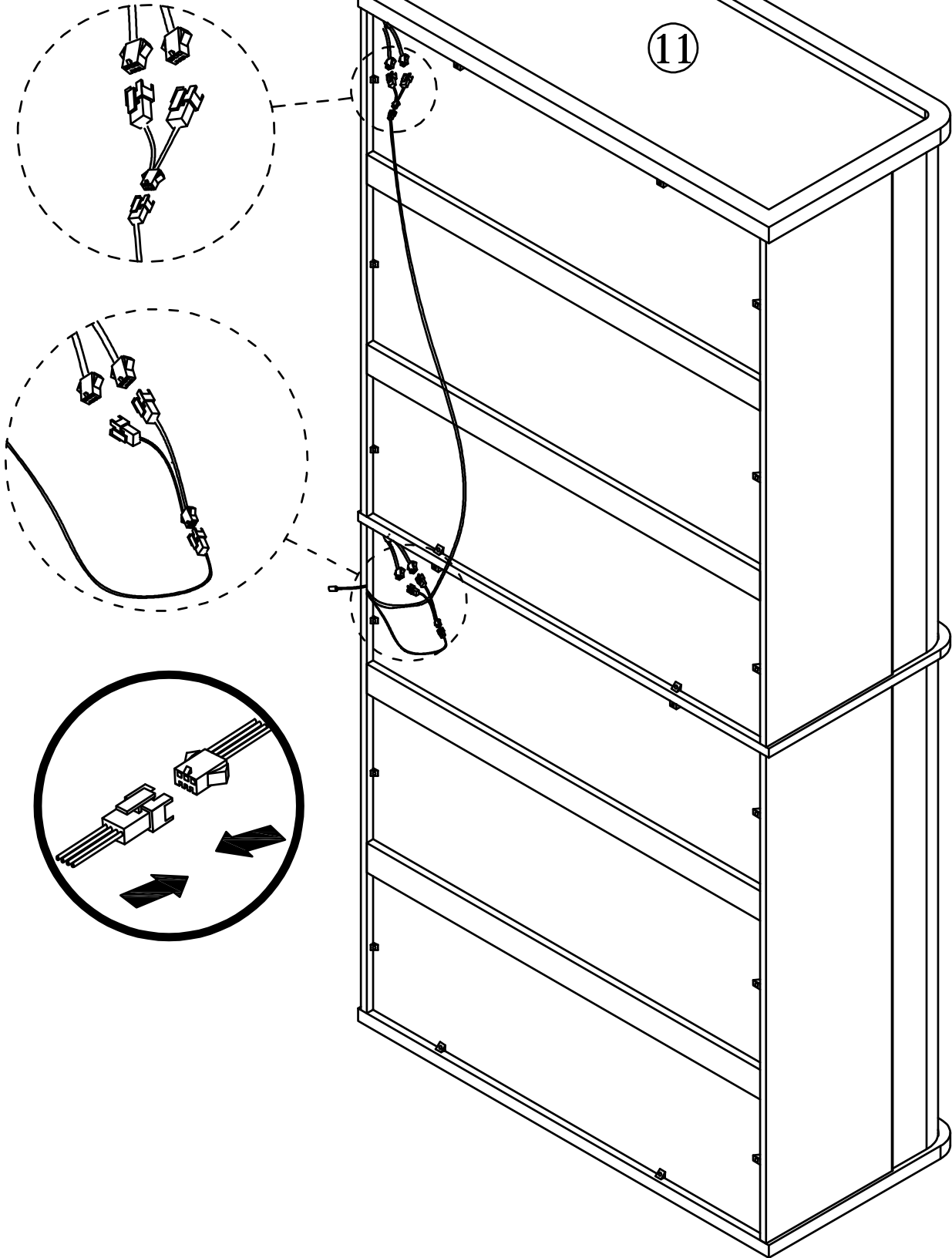
11



31

Step 35

Ⓛ x2

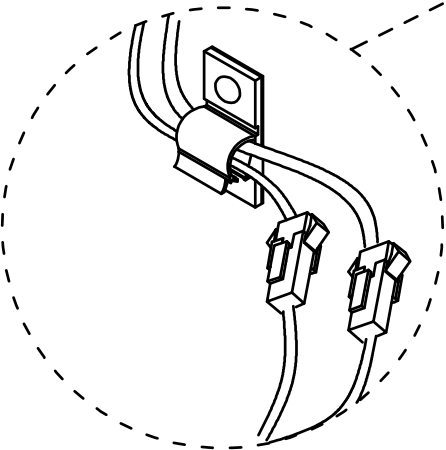
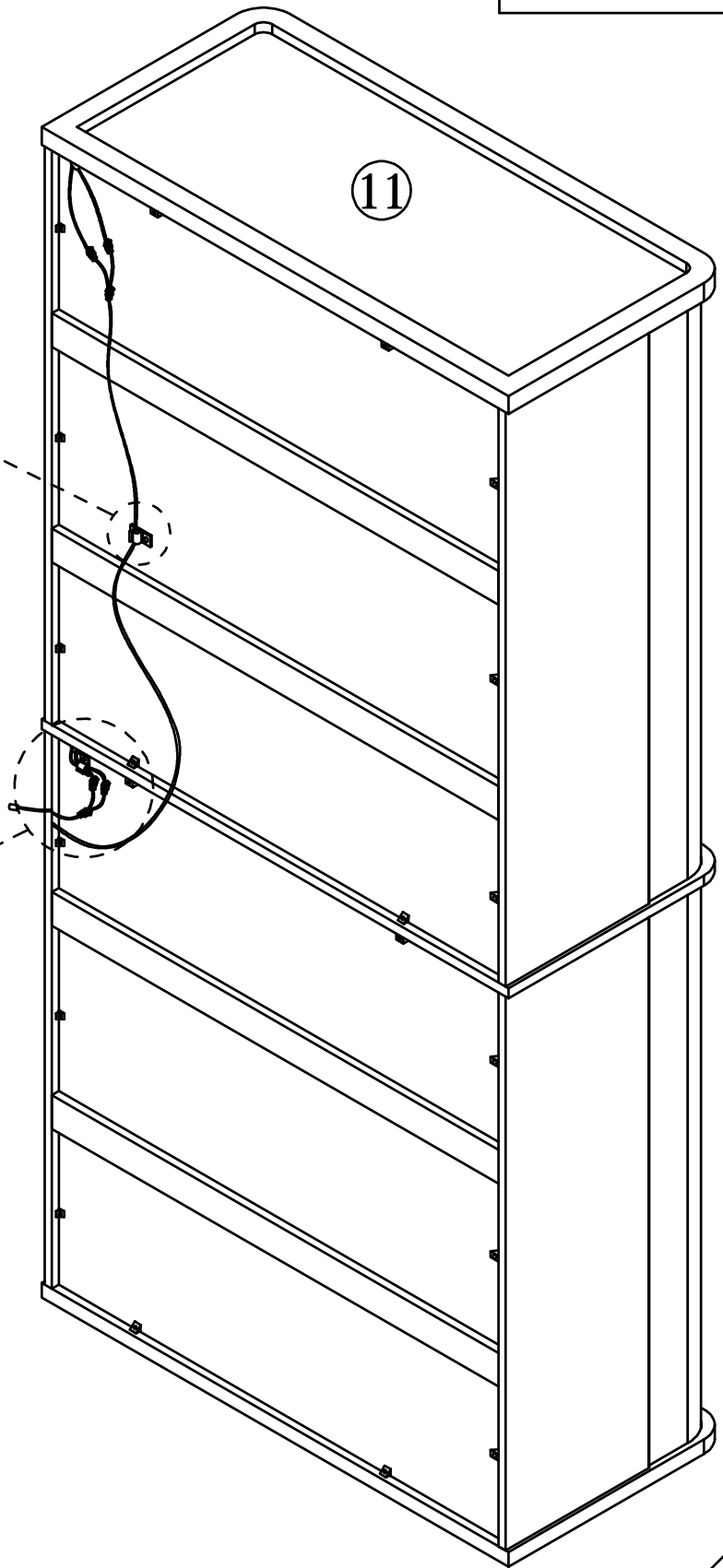
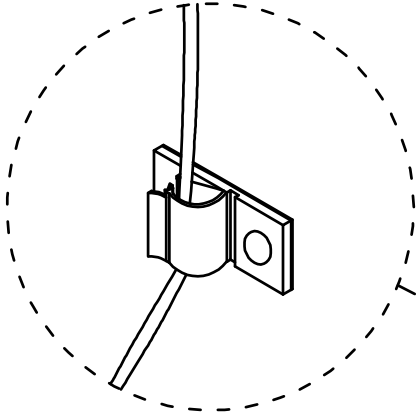


Step 36

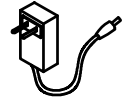
J



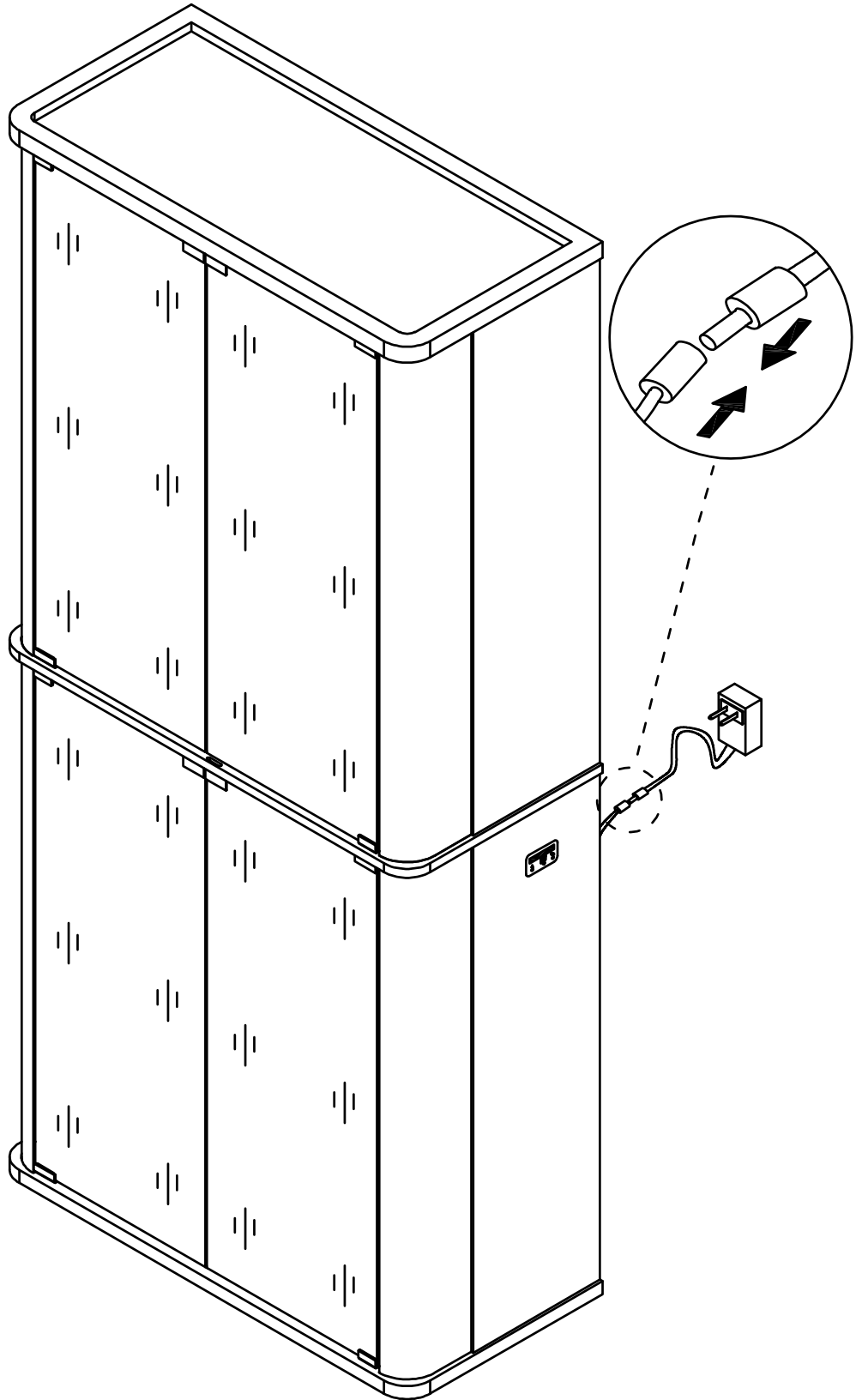
x2



Step 37

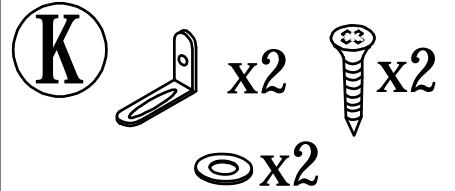


x1



Step 38

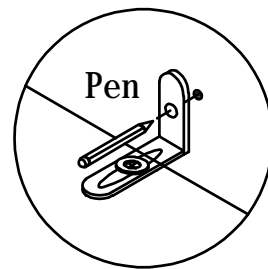
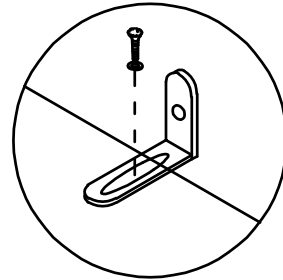
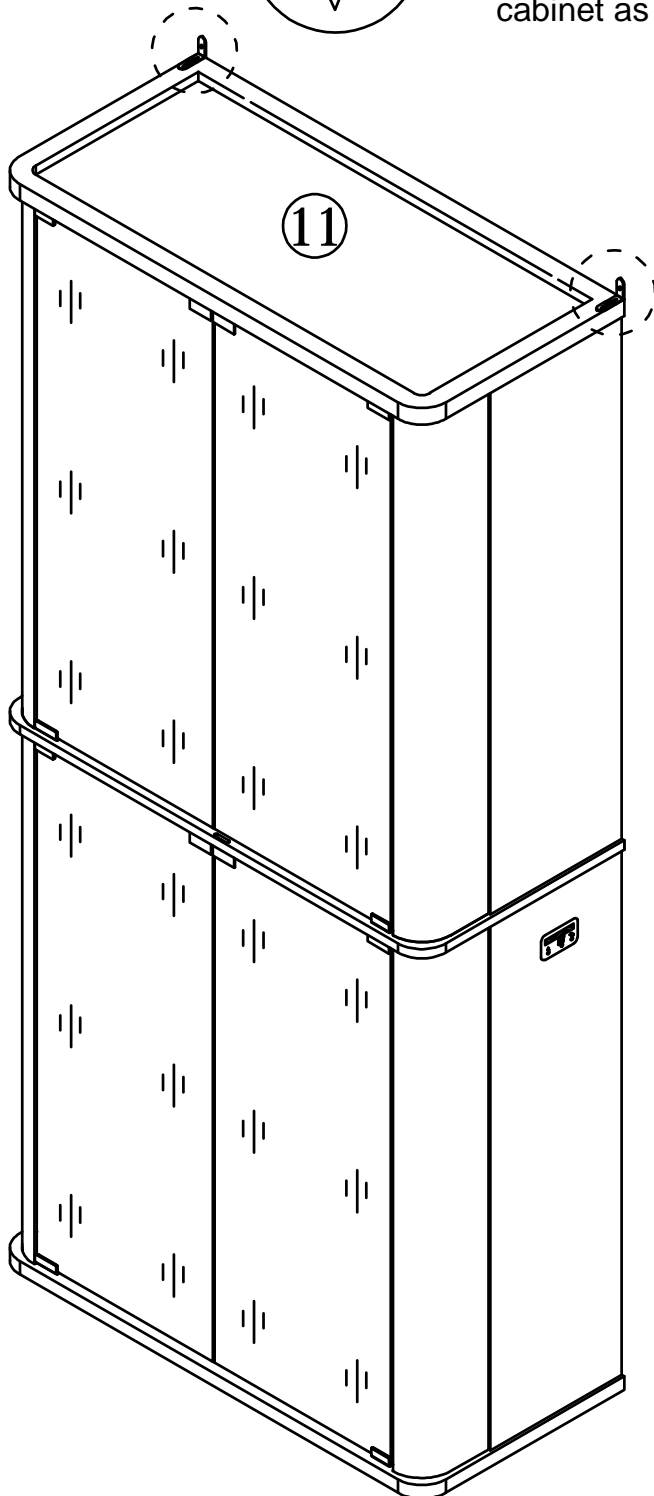
Install as required



3.5x14mm



Install the anti fall hardware on the cabinet as shown in the picture first





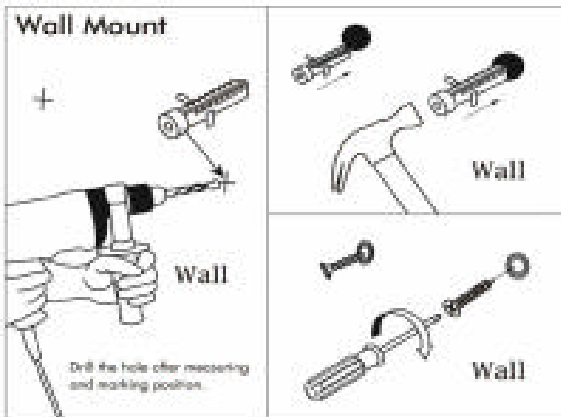
Then mark the wall with a pen through the holes in the anti-fall hardware

Step 39

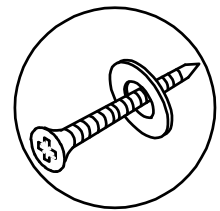
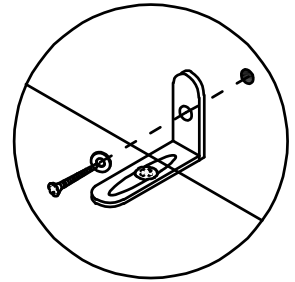
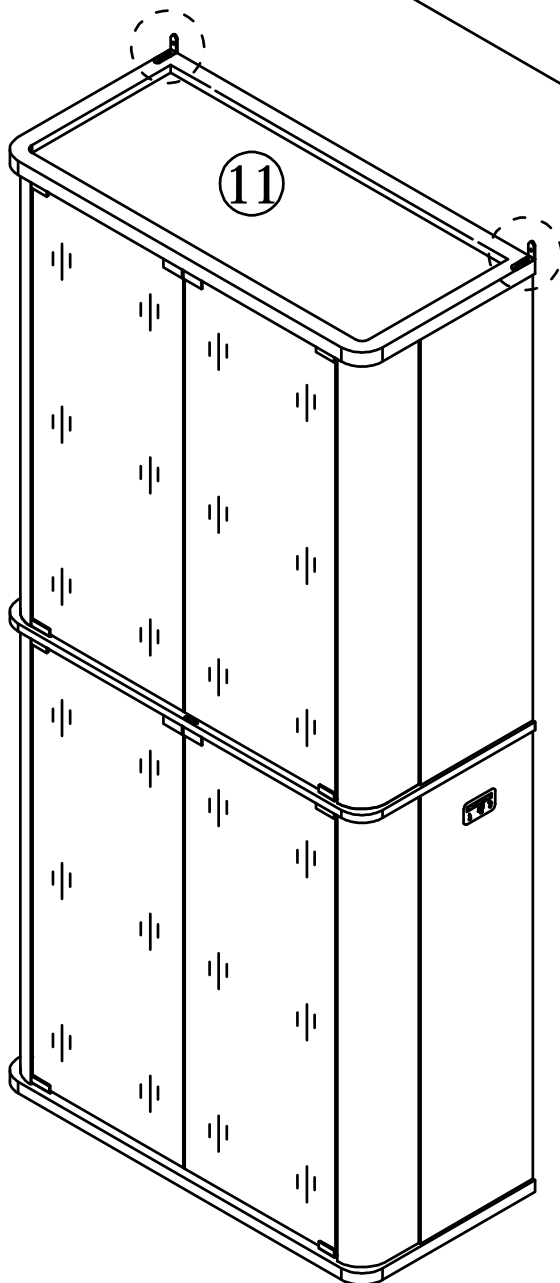
K

 x2

 x2  x2

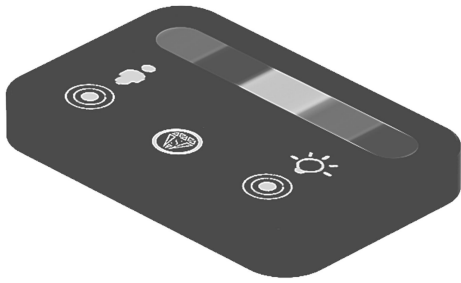


Drill the hole with an electric drill and punch in the colloidal particles



4x45mm

Fix the dressing table to the wall



User's Guide

Thank you for purchasing this product.

To use this product, please plug it into a 12V DC power supply.

Please use if the product works normally after connecting to power.

Introduction

The box is an intelligent controller. With 4 touch buttons, it can turn ON/OFF the light and turn ON/OFF the induction function, change light colors, and adjust the light luminance.

The lights can be controlled through both the touch buttons and a dedicated app.

Operation

This touch button is used to turn the light on/off, adjust brightness, and switch the color of the lights.



i. Single Click: Turn the light on/off.

ii. Quick Double-Click: Switch between 7 static RGB colors.

iii. Long Press (2+ seconds): Adjust the light luminance.

This touch button is used to turn on/off the induction function.



A. touch this button once to turn on the induction function (indicator light on).

After the person leaves or remains stationary for more than 30 seconds, the light strip goes out; people and objects within a range of 1 meters move will light up the light strip.

B. Long press this button for 0.5 seconds to turn off the human body induction function (the indicator light goes out).

At this point, Keep the light strip as it was before turning off and no longer be affected by human and object activities. By default, induction function is enabled when powered on.



This touch button is the Dynamic Phantom Color Mode, which includes 5 magical lighting effects.

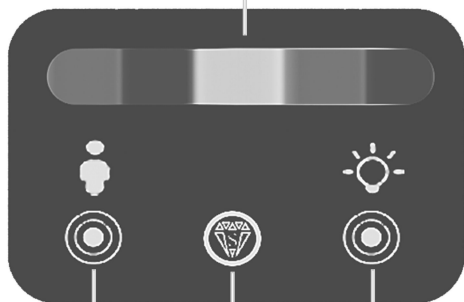
Simply tap to cycle through the options. (Attention: This mode cannot adjust the brightness)



This area controls the color switching function.

You can tap or slide to any color bar position to change the color.

Color Palette



Induction Button

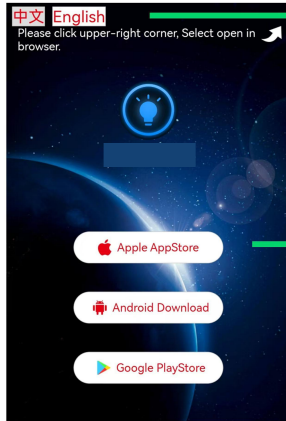
Phantom Color Mode Button

Master Switch Button



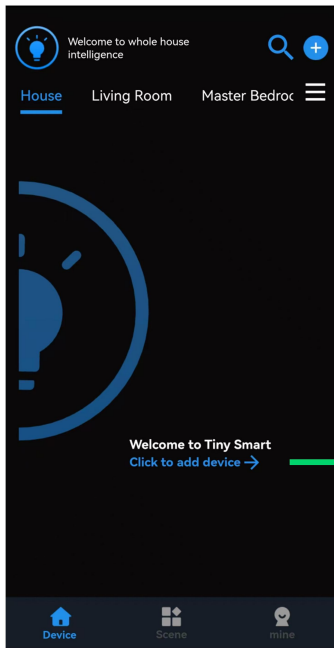
ATTENTION PLEASE

1. If there is no touch response suddenly, Re-plug the power to reset the touch static electricity.
2. If bubbles appear on the panel, remove the protective film.
3. If you have any questions when installing, please feel free to contact us. Thank you.

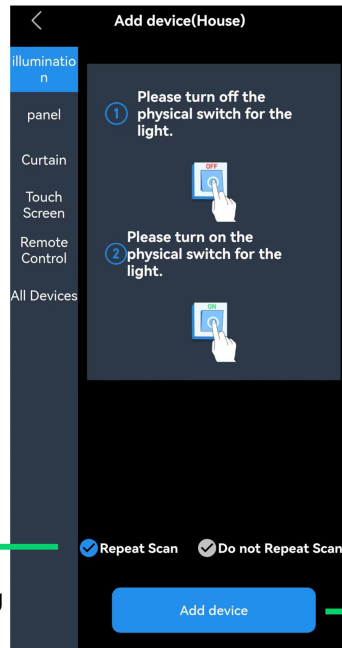


Select English Language

Select the corresponding device to download.
 Note: If the download fails, please turn off the “Enhanced Protection” in the Pure Mode settings of the device.



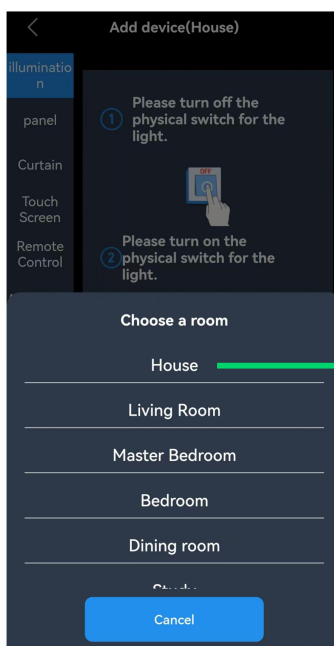
1



2

It turns blue after clicking

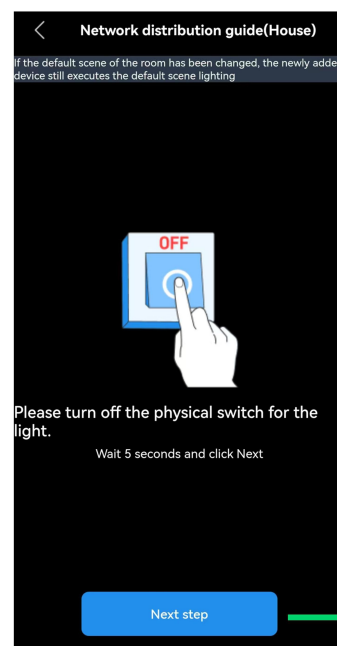
3



4



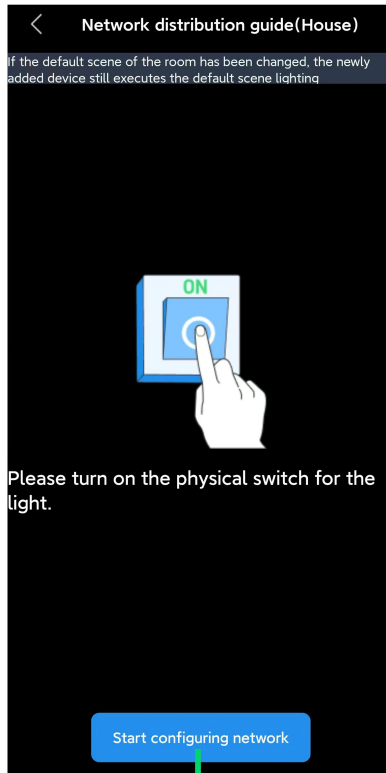
5 Unplug the smart box



6

7 Plug in the smart box power plug.

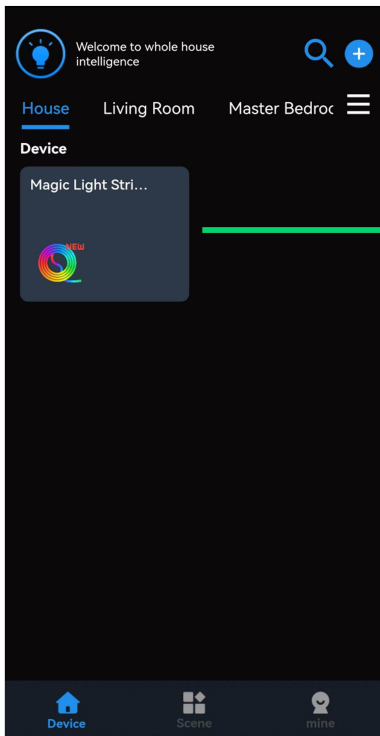
The appearance of this program icon indicates that the matching is complete



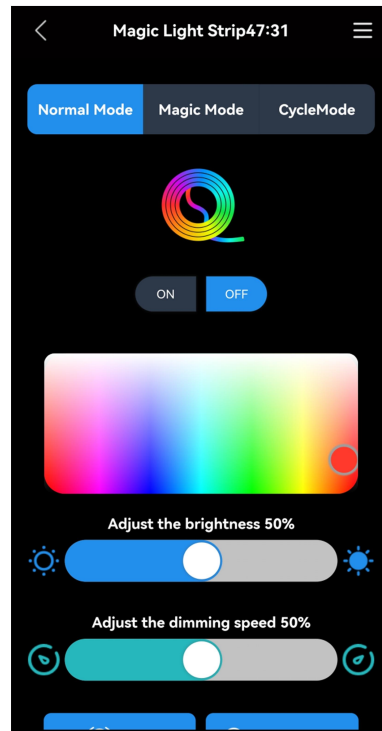
8



9



10



Now you can freely adjust the lighting according to your preferences