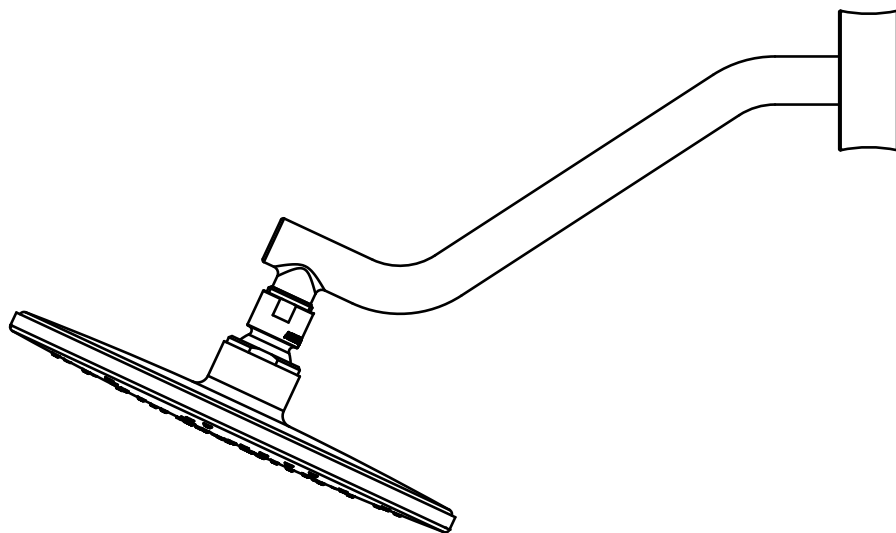


C O O P E R



G R A H A M

## INSTALLATION INSTRUCTIONS

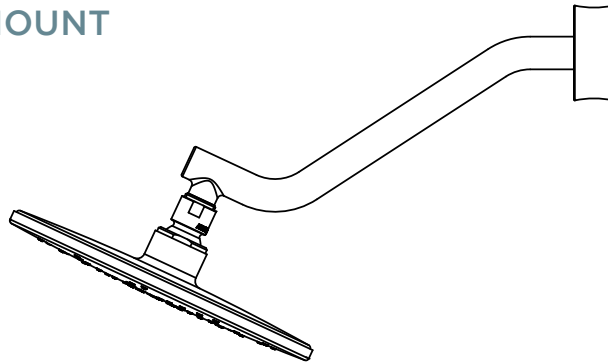


**EMILE 8" ROUND SHOWERHEAD  
WITH WALL MOUNT SHOWER ARM**

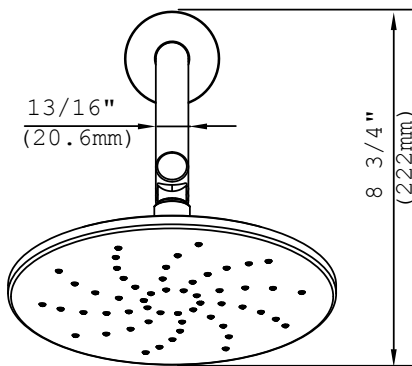
EMI-18100

# DIMENSIONS In Inches & Millimetres

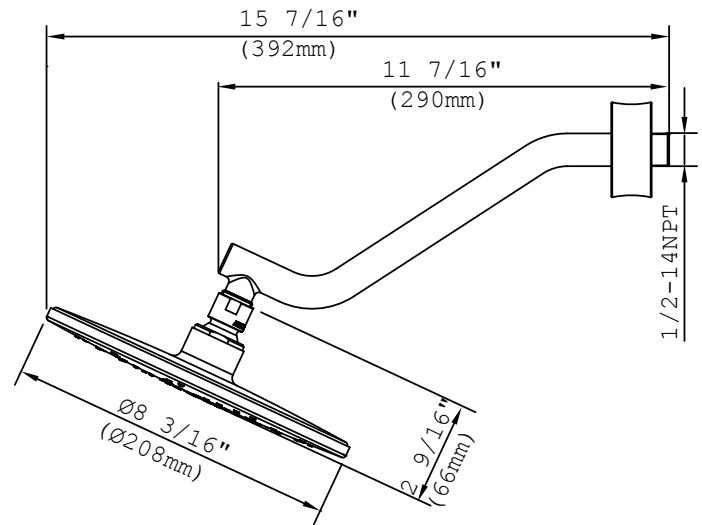
## EMILE 8" ROUND SHOWER-HEAD WITH WALL MOUNT SHOWER ARM



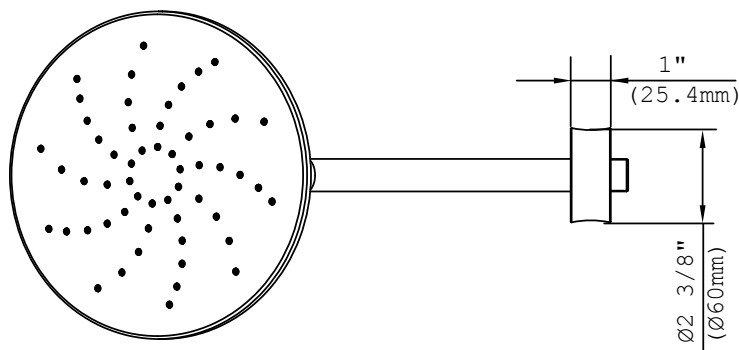
FRONT VIEW



SIDE VIEW



BOTTOM VIEW



# PRODUCT INFORMATION

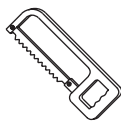
## TOOLS



Groove Joint Pliers



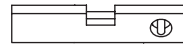
Adjustable Wrench



Hacksaw



Phillips Screwdriver



Level



Pipe Tape



Spatula

## MAINTENANCE

- Your new Cooper and Graham product is designed for years of trouble-free performance.
- Keep it looking new by cleaning it periodically with a soft cloth. Avoid abrasive cleaners, wire wool and harsh chemicals as these will dull the finish and void your warranty.

## IMPORTANT POINTS

- Prior to beginning installation, turn off the cold and hot water lines. If applicable, open the existing valve to release built-up pressure.
- Overtightening nuts may cause damage.
- Wrap all threaded connections with pipe tape available at your local plumbing supply store. Always wrap in clockwise direction. The fittings should be installed by a state licensed plumber.
- Note: When there is a difference in water pressure between hot and cold supplies to the mixing valve, the pressures should be equalized by a plumber in accordance with best practice and legislation.
- Note: This product is designed to function as part of the water system at a supply pressure between 140 and 860 kPa (20 and 125 psi). The leakage test to the water system should be carried out using water as this product contains the components are specifically designed for water, for which the viscosity and surface tension are much greater comparing to air or gas, both of these are unique forces that resist the tendency of water to flow, particularly through a small opening, however at the same condition the air or gas might be able to escape through. In the exceptional circumstances should pneumatic pressure testing using compressed inert gas or air be used, the pressure should be equal or less than 3bar. Conducting the pneumatic pressure test at a higher pressure can be very hazardous not only to the person who does the test, but also to the product itself or the users. Due to the air or gas is very compressible, the same pressure of compressed air or gas contains much more energy than the liquid therefore should a joint, pipe, or any other component fail under test pressure when using compressed air or gas, the energy can be released with dangerous force to human or damaging the system.

## SAFETY TIPS

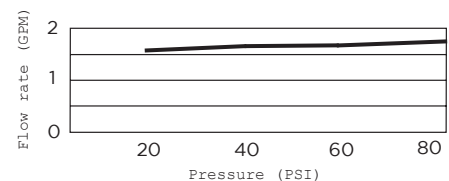
- If you are soldering during faucet installation, remove cartridges, seats, gaskets and washers prior to applying flame, otherwise you will void the warranty.
- When cutting or soldering pipe, use safety glasses to protect your eyes.
- Cover drain openings to avoid losing small parts.

## CODES/STANDARDS

- Certifications: IAPMO(cUPC)
- Certifications: WaterSense(EPA)



## FLOW RATE



### WARNING!

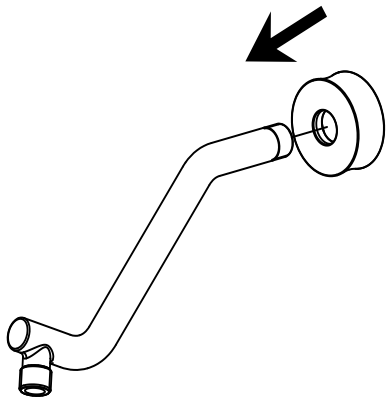
- This product is engineered to meet the EPA WaterSense flow requirement. The flow rate is governed by the aerator or flow controller. If replacement is ever required, be sure to replace it with a WaterSense compliant aerator or flow controller to retain the water conserving flow rate of this product.
- For use with automatic compensating valve rated at 1.5gpm (5.7L/min) or less.

# INSTALLATION METHOD

STEPS 1

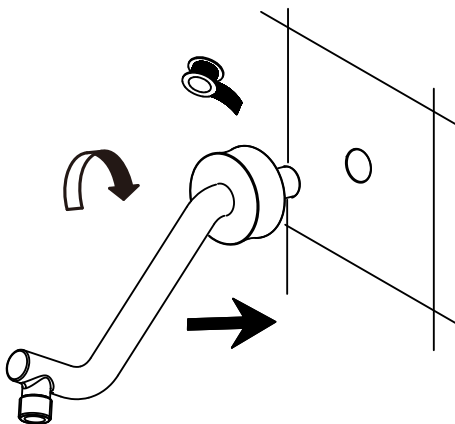
Cooper and Graham always recommends that plumbing products be installed by a licensed professional.

1.



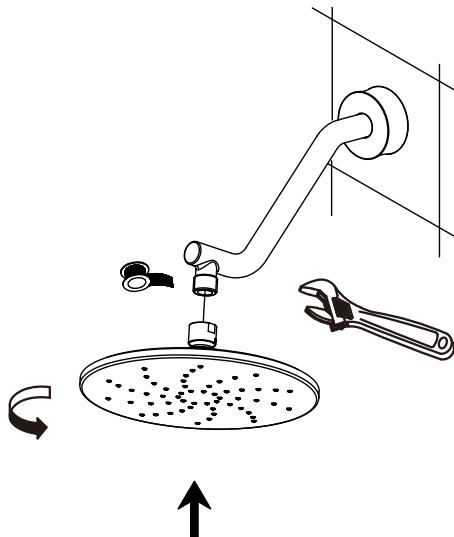
Slide the escutcheon over the shower arm.

2.

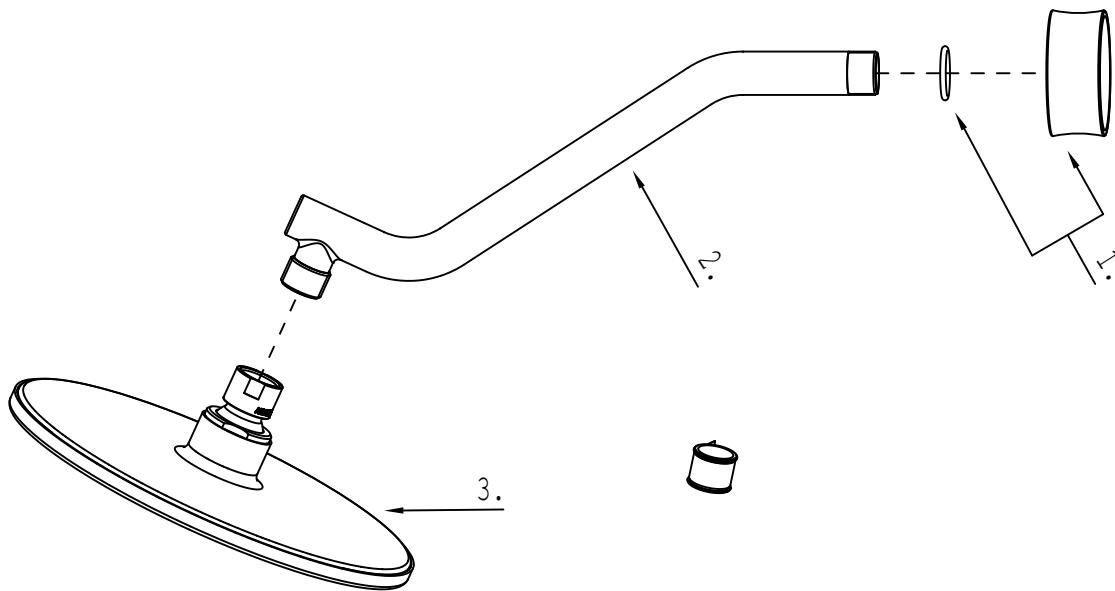


Apply pipe tape to the threads. Thread the shower arm onto the pipe. Slide the escutcheon over the shower arm until it presses against the wall.

3.



Apply pipe tape on the threads of shower arm. Tighten the shower head to shower arm with wrench.



- 1. Escutcheon Assembly (A663A91)
- 2. Shower Arm (A064048)
- 3. 8-Inch Shower Head (S1113813)





C O O P E R



G R A H A M

FOR ADDITIONAL ASSISTANCE OR SERVICE CALL

**T: 929.432.1699 F: 929.432.1833**

[CUSTOMERSERVICE@COOPERANDGRAHAM.COM](mailto:CUSTOMERSERVICE@COOPERANDGRAHAM.COM)

9AM-5PM EST, MONDAY - FRIDAY

**COOPER AND GRAHAM**

1828 TROUTMAN STREET, RIDGEWOOD, NY, 11385

[WWW.COOPERANDGRAHAM.COM](http://WWW.COOPERANDGRAHAM.COM)