

Included Parts

- (1) Vino Pins Neck
- (1) Vino Pins Base
- (2) Vino Series Drywall Collars
- (2) Toggle Bolts
- (2) Wood Lags
- (1) Hex Key

- (2) Nuts
- (1) 8.5"x11" Plotting Guide

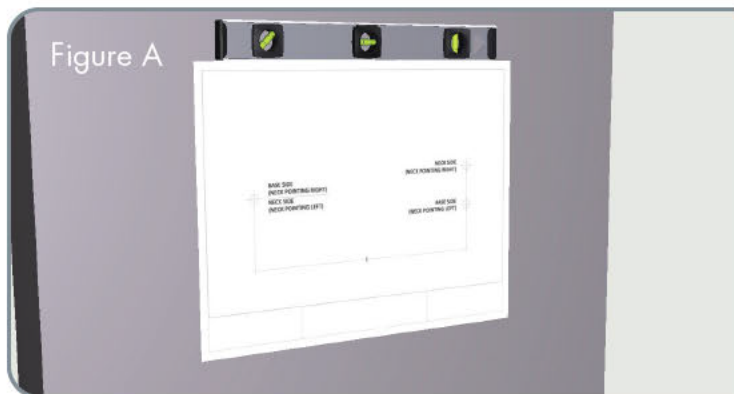
Required Tools

- (1) Level
- (1) Drill

- (1) 5/32" (4mm) Drill Bit
- (1) 5/8" (16mm) Spade Bit
- (2) 10mm or adjustable wrenches
- (1) M6 Driver

Important Note: These installation instructions are only for attaching with a minimum thickness of 1/2" (12.7mm).

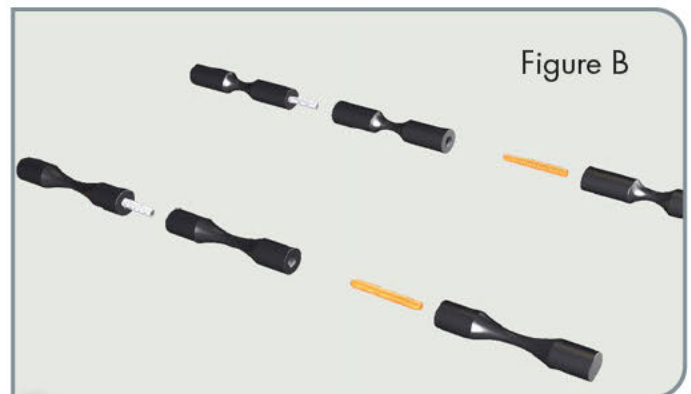
to drywall or wood surfaces



1. MARK MOUNTING HOLE LOCATIONS

Use a level to ensure the printed mounting template is horizontal along the long edge (Figure A), mark hole locations by piercing the template with a pencil or sharp object at the center the two (2) marks corresponding with the bottle direction chosen. Mounting holes will be 5 1/2" (144mm) apart and offset by 5/8" (16mm).

Pro Tip: To plot additional Vino Pins in the same column, mark a minimum of 5" (127mm) above or below each mounting hole for next set of Vino Pins.

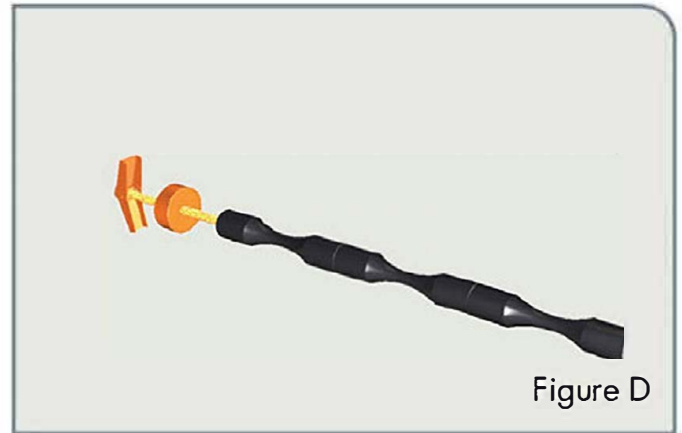
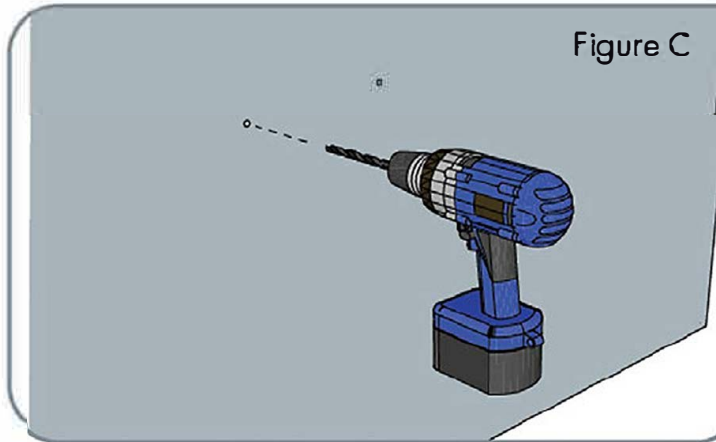


2. (OPTIONAL) EXTEND

If using Vino Pins extensions (sold separately), thread a stud into one end of the base extension Pin and screw the starter base Pin onto the remaining exposed end and firmly hand tighten (Figure B).

Connect any additional extensions (up to three total bottles deep for 750ml bottles; up to two bottles deep for magnum configurations with Vino Pins Magnum Spacer) in a similar fashion and repeat this process for the neck pins.

Instructions



3. CONFIRM WALL SURFACE

Drill two (2) pilot holes using a 5/32" (4mm) Drill Bit (Figure C) to determine whether your installation will be into solid wood or drywall surface.

If one or both of the locations is backed by a wood stud, flip to last page for Steps w4-w5.

NOTE: If it is determined to be wood backed or a wood stud, Collars are optional. Collars are required for all drywall installations.

4. DRILL MOUNTING HOLES

For drywall only

Use the 5/8" Spade Bit to create mounting holes for the Toggle Bolts.

5. ASSEMBLE

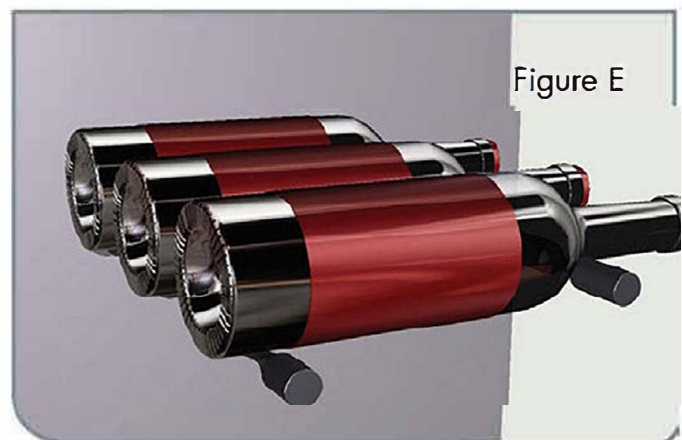
For drywall only

Thread one (1) Expanding Bolt onto one (1) Toggle Bolt followed by the Drywall Collar. The Expanding Bolt should face inward, toward the Collar. Then thread the Vino Pins onto each Toggle Bolt.

6. INSTALL

For drywall only

Ensuring you are installing the Neck Pin into the higher of the two holes, push the Toggle Bolt through the



mounting hole until the Expanding Bolt snaps open. Stabilize the Bolt by lightly pulling toward the wall.

Important: If the Toggle Bolt does not fully expand, the Pins may come out of the wall.

While lightly pulling the with one hand, twist the rack clockwise until firmly hand tightened, taking care not to overtighten. Ensure the Pin remains in the desired position.

Repeat the previous steps to install the remaining

7. ADD WINE

Only the good stuff.

Instructions

INSTALL PIN TO A WOOD STUD

a. Using Hex Key

Using either the provided hex key, drive the Lag Stud into the pilot holes until the coarse threads are no longer visible. When driving the Lag Stud, take care to ensure it remains level.

For larger projects or if a sturdier tool is needed, use an optional M6 Driver.

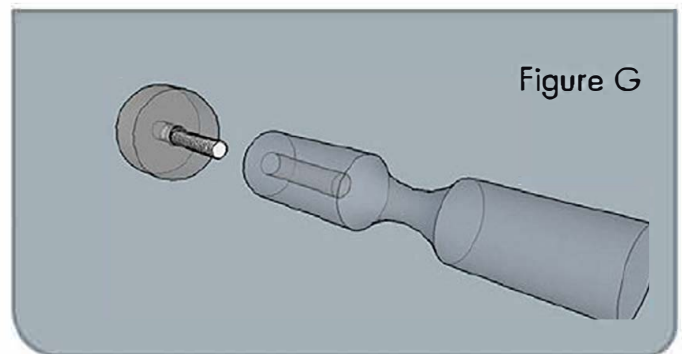
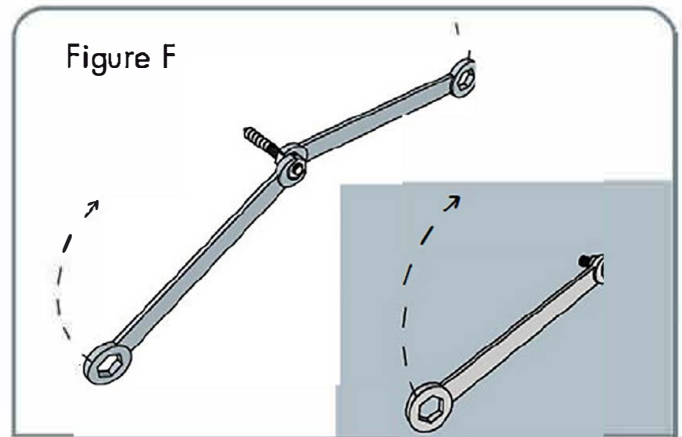
b. Using Nuts

Alternatively, attach two (2) provided nuts onto the fine threaded end of the Lag Stud. Using two 10mm wrenches, tighten the nuts against one another (Figure E), essentially creating a screw head. Then use one wrench on the outer nut and screw the wood lag into the pilot holes until the coarse threads are no longer visible.

INSTALL

Slide collar over the stud, then thread Vino Pin onto the Stud (Figure G). Ensure you are installing either the Neck Pin into the higher of the two holes or the Base Pin into the lower of the two holes.

Firmly hand-tighten taking care not to over tighten. Confirm Pin is level and return to Step 5 to complete process for any Pins being installed into drywall.



Additional Notes:

All installations into drywall require the use of collars and alternate fasteners to properly support. Any application outside of these parameters is not warranted and may result in product and/or installation failure, property damage and/or bodily injury.

Maintenance and Care:

This should be regularly checked for tightness. Should any rack to be found to be loose, tighten by hand until secure. If the face of the wall surface shows signs of breakage, discontinue use immediately until the wall may be adequately repaired. Vino Pins may be cleaned with a damp cloth and mild dish soap -abrasive pads or steel wool should NOT be used as they will damage the finished surfaces of the parts.