

INSTRUCTION SHEET

ASSEMBLY INSTRUCTIONS

656A04M/656B04M Accent Mirror

Thank you for purchasing this quality product. Be sure check all packing material carefully for small parts that may have come loose inside the carton during shipping.



Caution: (1) These parts are cumbersome and heavy. This product can best be assembled with the assistance of one or more persons in order to prevent personal injury and to insure parts are not damaged during the assembly process. If dirty, clean finished parts with mild dishwashing liquid and water solution applied on damp cloth. Cloth should not be excessively wet. Polish finish with soft cloth and an industry recognized furniture polish.

(2) To prevent damage to your floor or carpet, please check the bottom of each piece of furniture for stain residue and rough surfaces and also check for staples or nails left after removing the packaging material. The manufacturer will not be held responsible if preventative steps are not taken prior to installation.

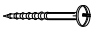

(3) Unpack and dispose of all packing material but be careful not to throw away any assembly parts or hardware. Read the instruction sheet and parts list carefully. Remove all staples and screws used for packaging carefully using pliers and or screwdrivers to prevent injury and scratching or damaging flooring.

(4) During normal use everyday, screws, bolts, nuts and wooden plugs may loosen up. They should be periodically inspected and re-tightened to prevent damage to the furniture and (or) personal property or cause injury. Always check to be sure all hardware on this list and the above mentioned components is attached to the furniture properly and kept tightened at all times.

Parts List:

Description	Sketch	QTY
Mirror (A)		1 pc
Wood bracket (B)		1 pc

Hardware List:

1	Wood screw	#8x2-1/2"		2 pcs
2	Expansion bolt			3 pcs

Assembly Procedure: (Please follow the sketches below.)

Step 1: Drill the holes (around diameter 1/4") on the hollow wall in same level. Put the expansion bolts into the holes, and use screwdriver to lock them tightly to let the anchor expand as shown below. To make sure they are fixed, you can use hand to pull them. And then take the bolts out from expansion bolts, keep them for the next step.

Step 2: Put the wood bracket on the wall, make sure the holes are fitted with the holes on the wall. Then fix it with bolts from **Step 1**.

Step 3: Attach the mirror (A) to the wood bracket (B) that assembled on the wall.

NOTE: If studs are available at the desired location, use 2 wood screws (1) to secure the wood bracket (B) to the wall. Then attached the Mirror to the wood bracket (B).
The mirror is now attached.

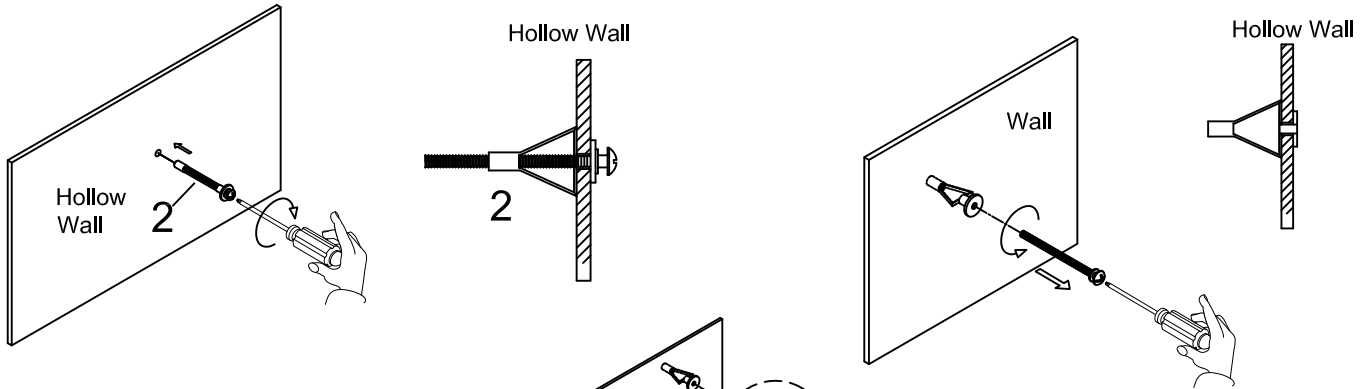
Assembly is now complete.

INSTRUCTION SHEET

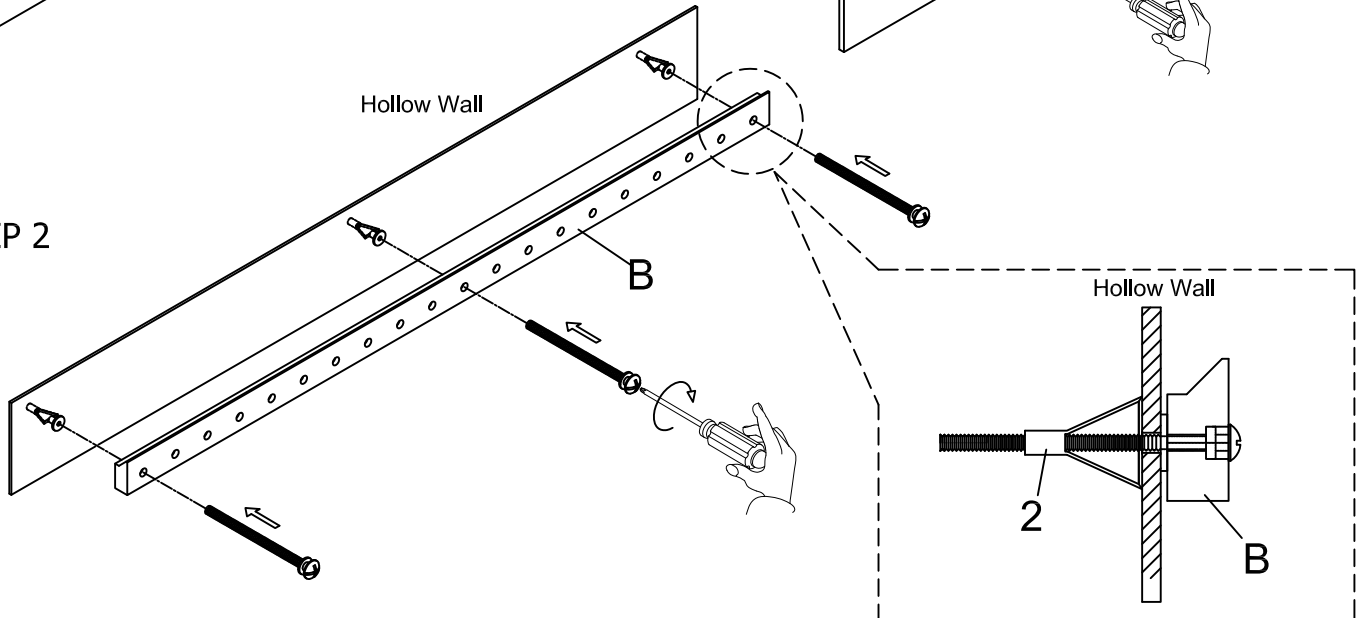
ASSEMBLY INSTRUCTIONS

656A04M/656B04M Accent Mirror

STEP 1



STEP 2



STEP 4

