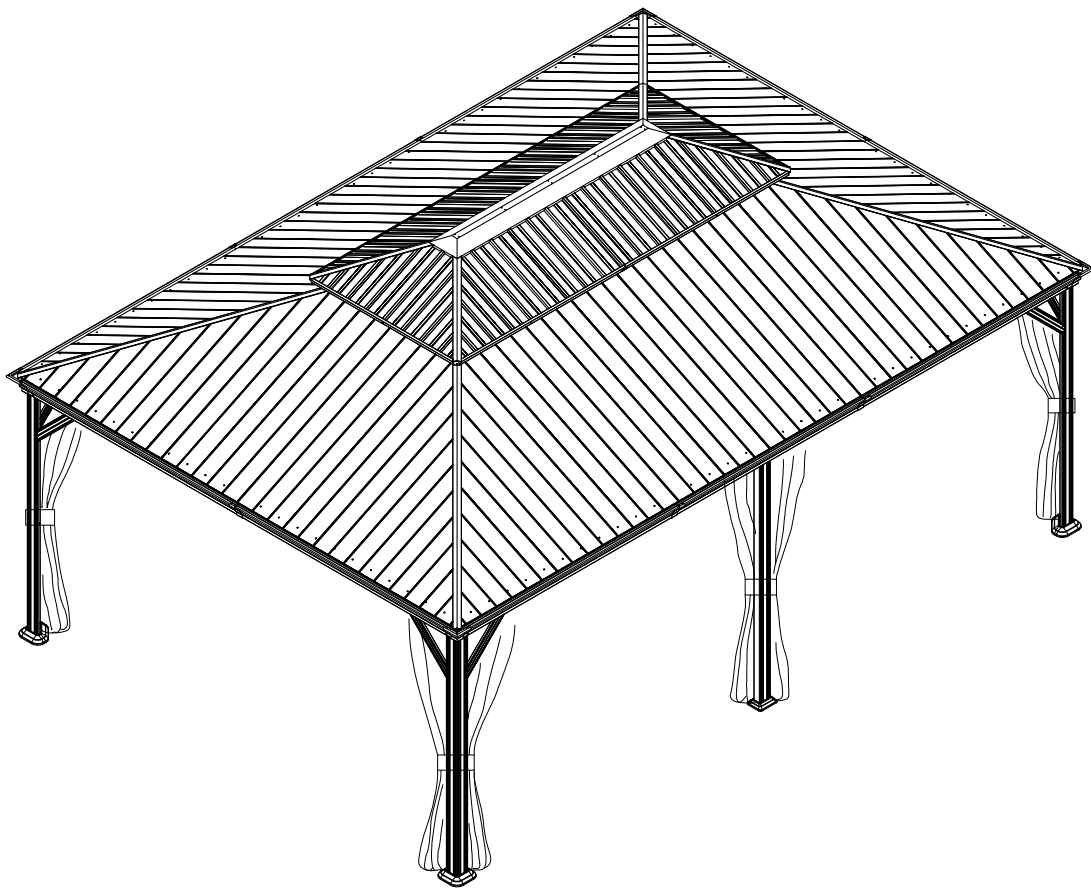




14'x20' Metal Patio Gazebo

ASSEMBLY MANUAL



MODEL#: LGMZ1728

Missing part? Damaged? Contact us via email at

service@domioutdoorliving.com

www.domioutdoorliving.com

Pre-assembly



1. Two or more people are required for assembly.



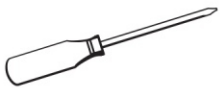
2. You will need one or more stepladders.



3. Wearing protective gloves is recommended.



4. You may need a safety hat.



5. Please use a Phillips screw driver.



6. For ease of construction, you may need a drill.



7. You may need a safety goggle.



8. Do not fully tighten screws prior to complete assembly.

Warning & Attention

-Try to assemble this product on the flat ground, otherwise it is difficult to carry out;

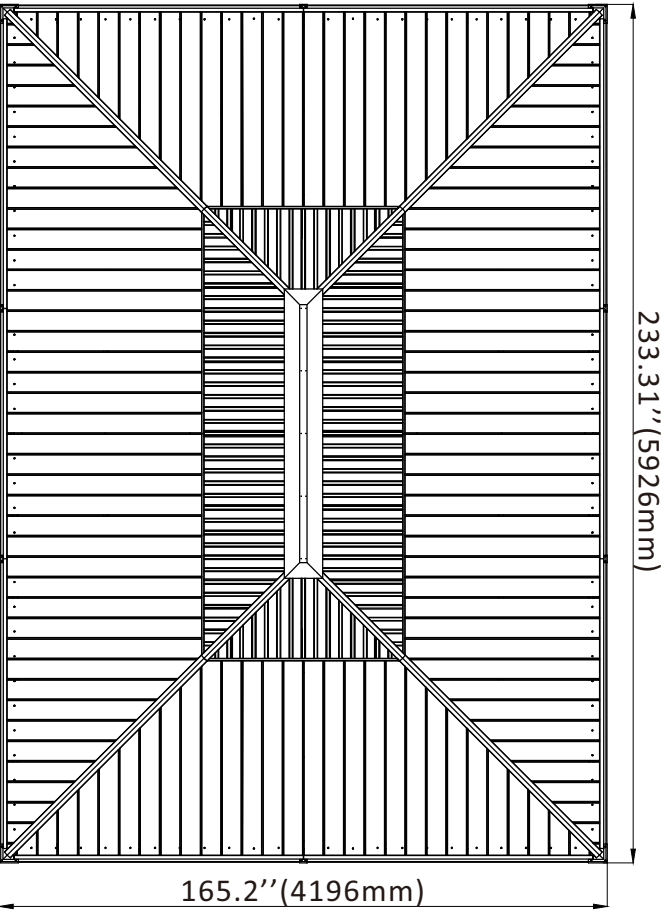
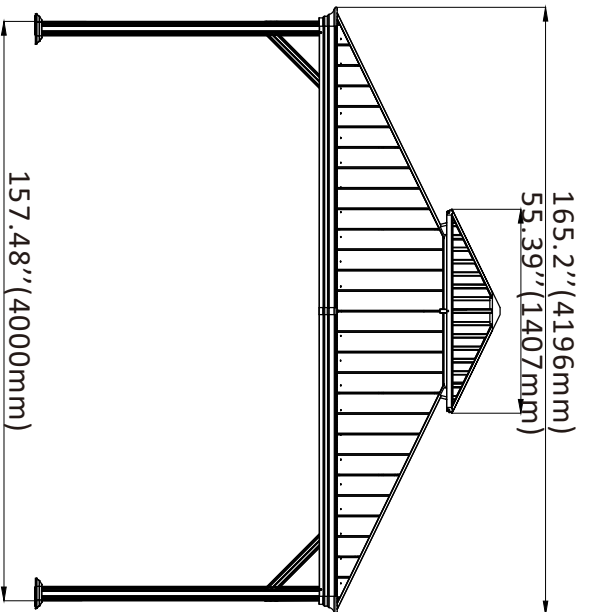
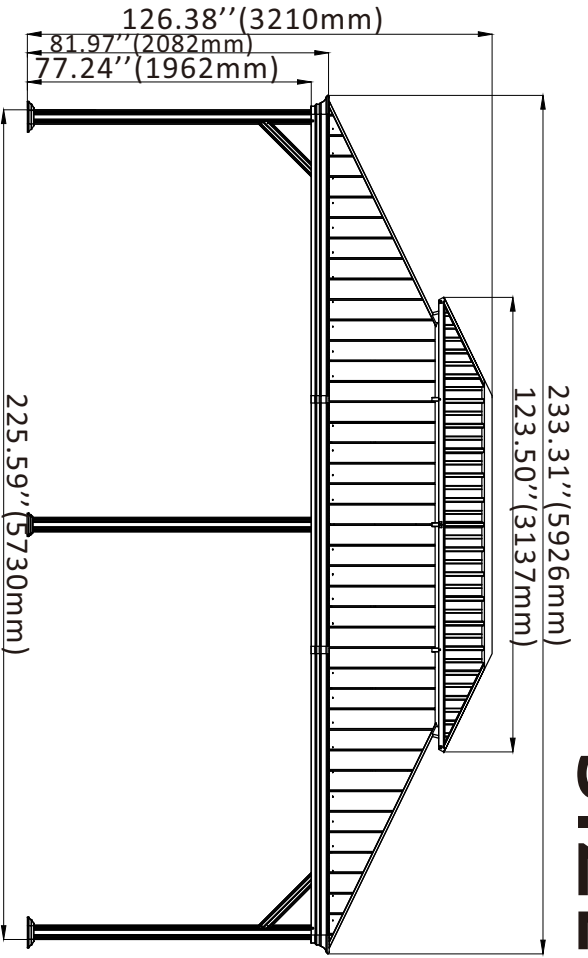
-It would be much easier to assemble the product with three or more people;

-After assembly, please check whether all screws are tightened, to prevent parts from falling apart.

▲ Use bolts to secure the frame to the ground to against the strong wind.

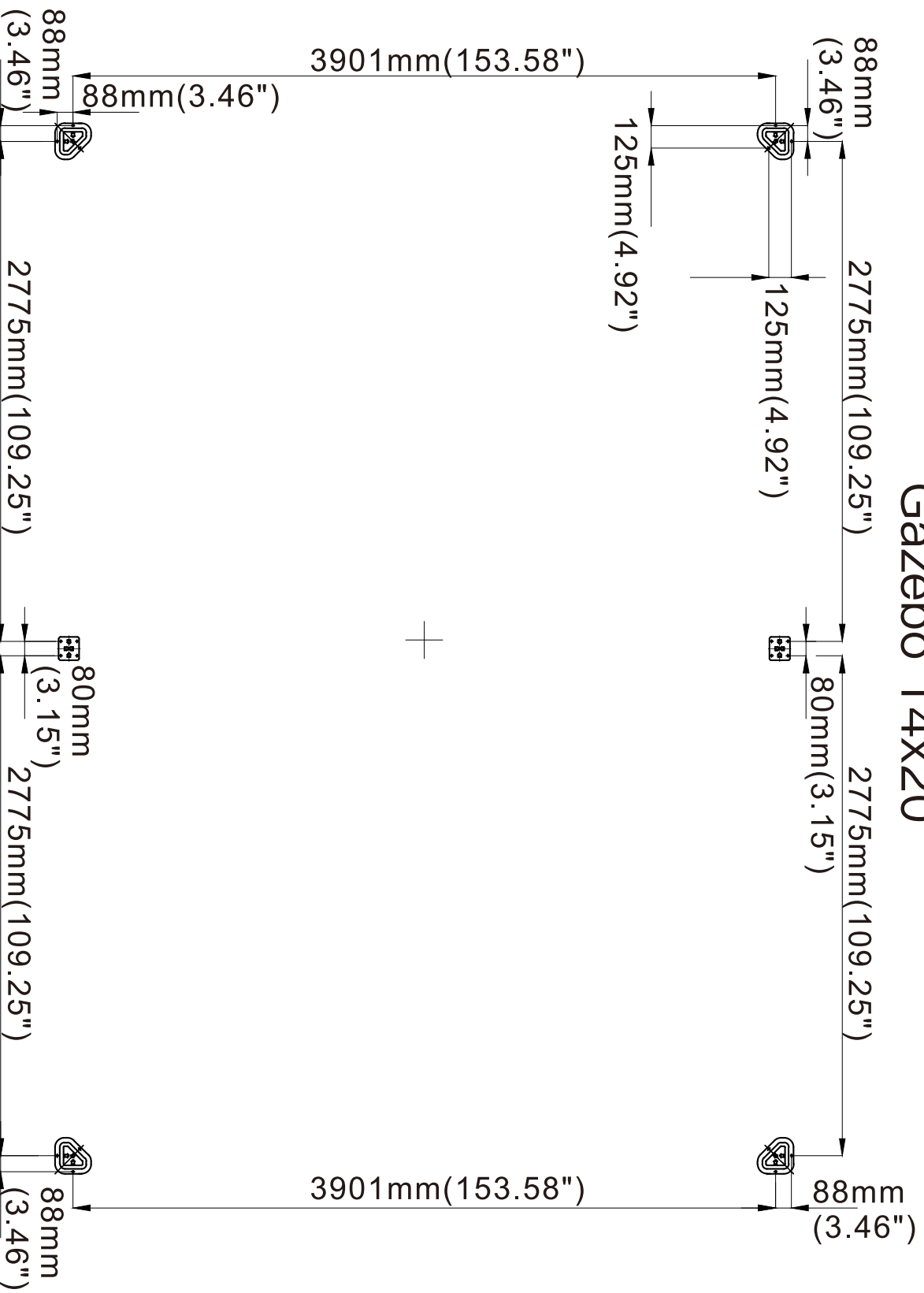
IMPORTANT: A gaze may entail to purchase a municipal permit or be subject to specific building codes. It is the consumer's responsibility to inform themselves of any restrictions.

SIZE

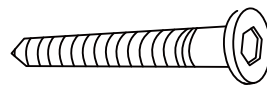
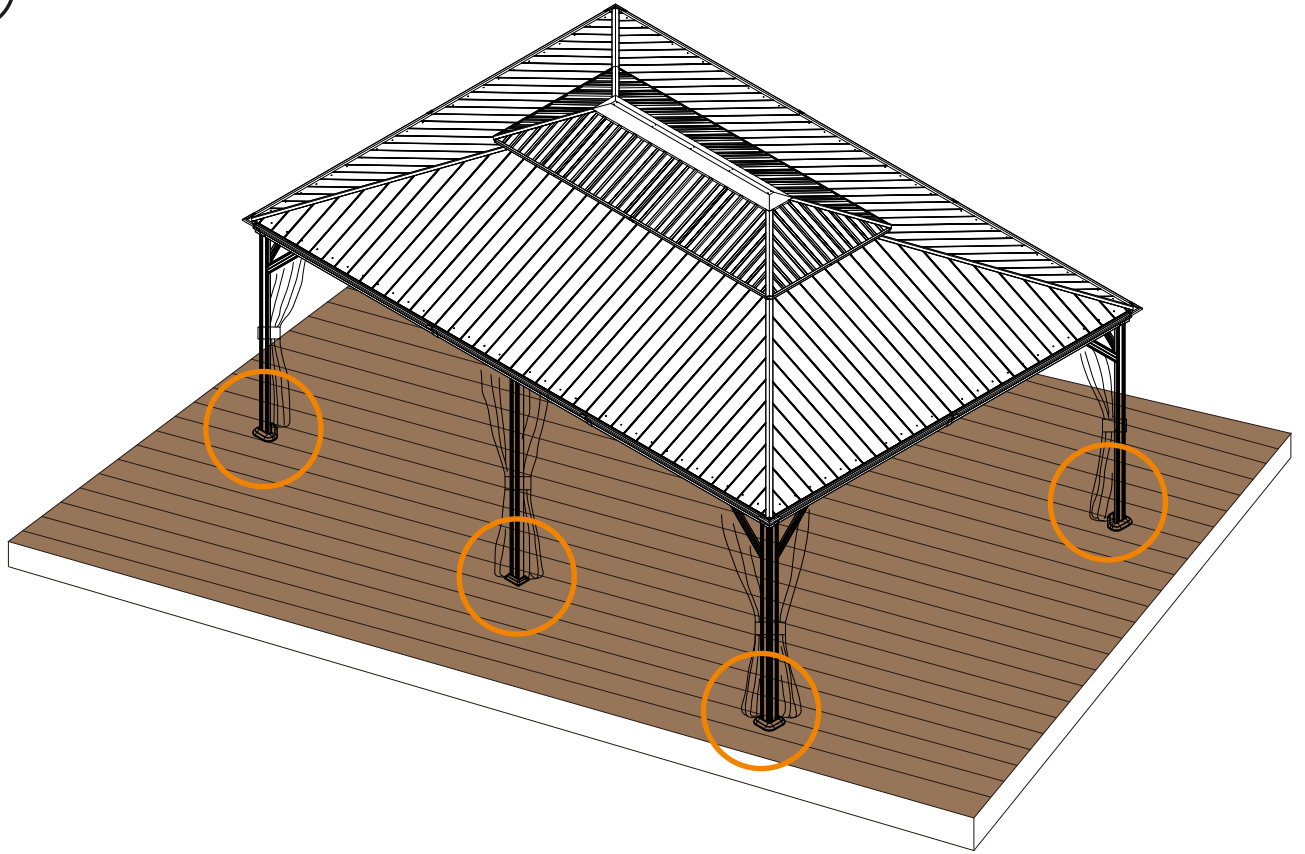


MOUNTING BLUEPRINT

Gazebo 14x20

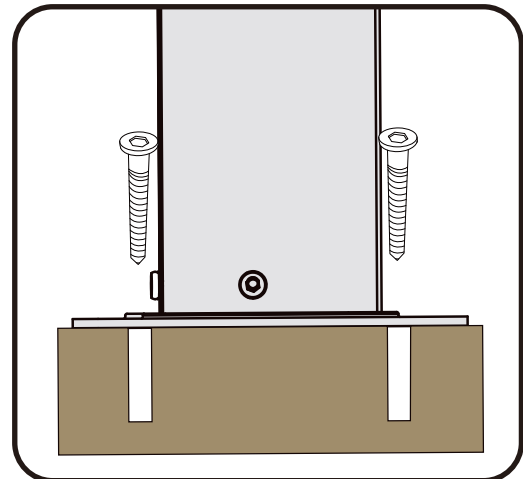
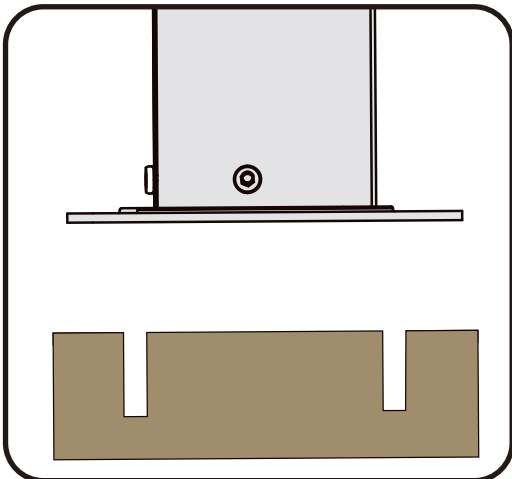


1

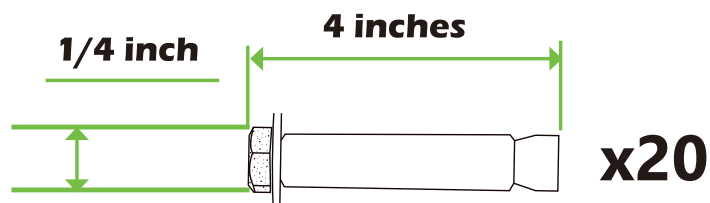
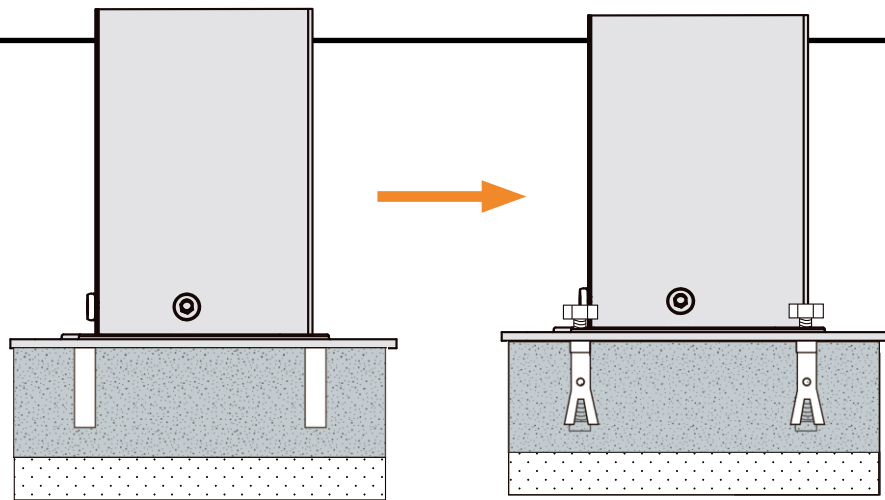


x20

If the deck is hard wood and the depth of it is over 3 inch, you can use **5/16 in. x4 in. Structural Wood Screw** to mount the gazebo.

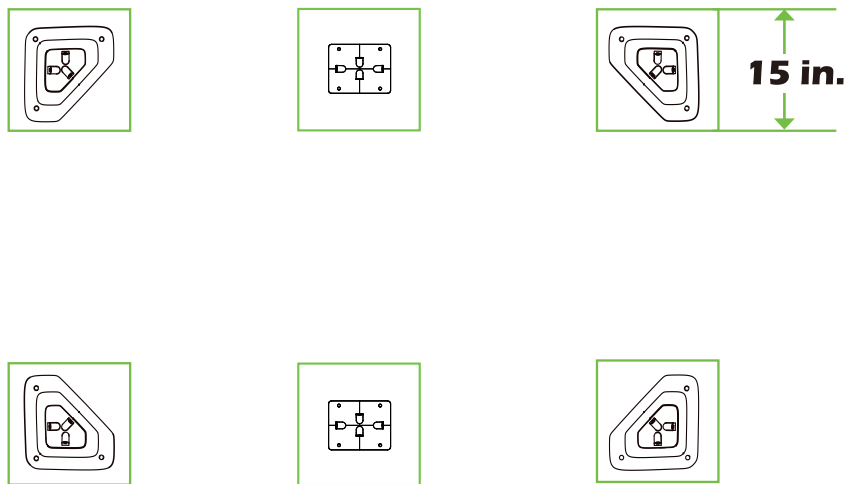


2



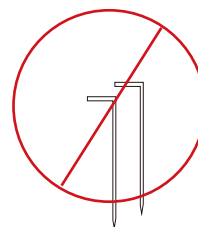
If the ground is concreted and the depth of it is over 3 inch, you can use 1/4 inch expansion bolts to mount the gazebo

3



Or you can make a concrete footing for gazebo, **15×15×15 inches** is recommended. use expansion bolts to mount the pergola like ② shows.

IMPORTANT:
Anchor is not recommended





Pole

A (x4)



Sidewall Track

D2 (x2)



Pole

B (x2)



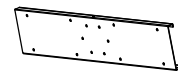
Sidewall Track

D3 (x2)



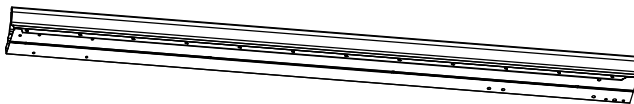
Beam

C1 (x2)



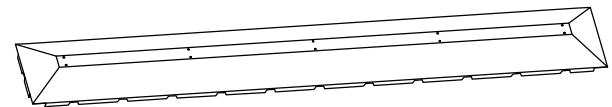
Union Bar

E (x6)



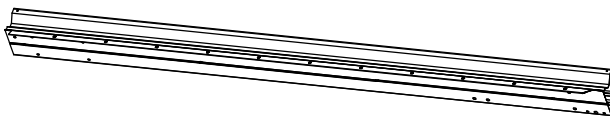
Beam

C2 (x2)



Outside Roof Cover

E1 (x1)



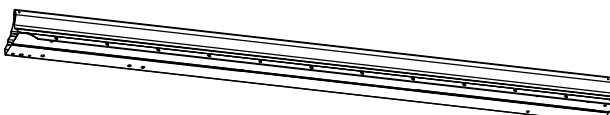
Beam

C3 (x2)



Corner Cover

F (x4)



Beam

C4 (x2)



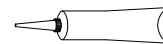
Joint Cover

G (x6)



Beam

C5 (x2)



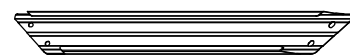
Silicone Sealant

H (x1)



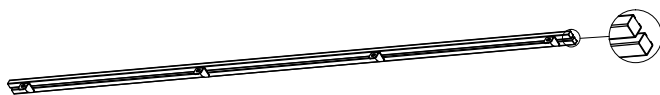
Sidewall Track

D (x4)



Corner Solidifying Bar

I1 (x4)



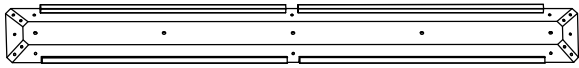
Sidewall Track

D1 (x4)



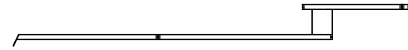
Corner Solidifying Bar

I2 (x4)



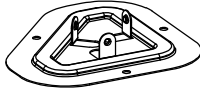
Inside Roof Cover

J (x1)



Middle Roof Tube

N1 (x4)



Base

K (x4)



Middle Roof Tube

N2 (x2)



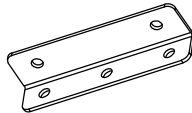
Base Cover

K1 (x4)



Finishing Bar

P (x2)



Bracket

K2 (x8)



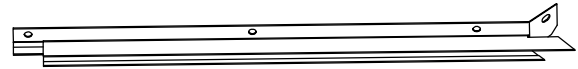
Finishing Bar

L1 (x2)



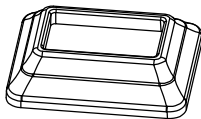
Base

K3 (x2)



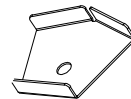
Finishing Bar

L2 (x2)



Base Cove

K4 (x2)



Finishing End

Q (x8)



Corner Roof Tube Connector

M (x4)



Finishing End

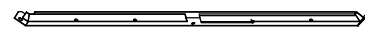
Q1 (x2)



Corner Roof Tube

M1 (x4)

Ma x4



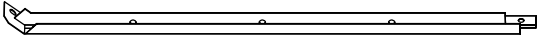
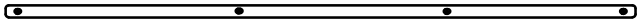
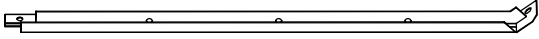
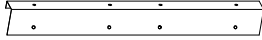
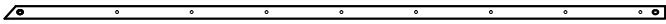

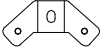

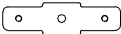
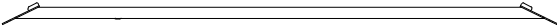

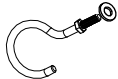
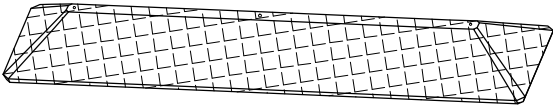


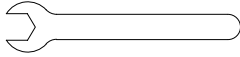
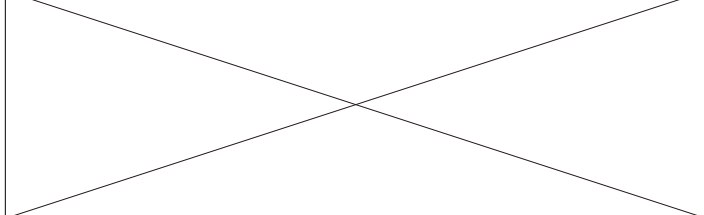

Finishing Bar

T (x2)



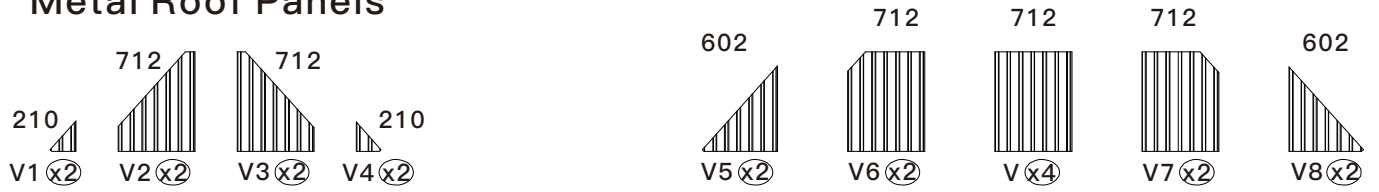
Middle Roof Tube

N (x2)

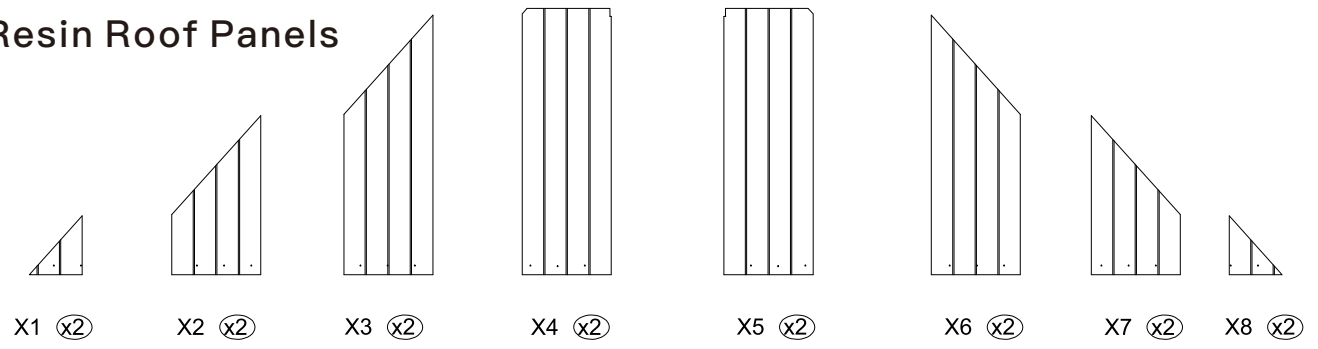
 <p>Finishing Bar T1 (x2)</p>	 <p>Plastic Bar O3 (x4)</p>
 <p>Finishing Bar T2 (x2)</p>	 <p>Middle Support Tube Connector O4 (x2)</p>
 <p>Solidifying Bar U1 (x8)</p>	 <p>Bracket O5 (x2)</p>
 <p>Bracket U3 (x4)</p>	 <p>Middle Support Tube O6 (x2)</p>
 <p>Bracket U4 (x8)</p>	 <p>Solidifying Bar O7 (x3)</p>
 <p>Solidifying Bar U5 (x4)</p>	 <p>Hooks R1 (x3)</p>
 <p>Mesh O (x1)</p>	 <p>Allen Key x1</p>
 <p>Plastic Bar O1 (x2)</p>	 <p>Wrench x1</p>
	 <p>Wrench x1</p>

 <p>Plastic Clips</p> <p>Z $\times 20$</p>	 <p>M6x28</p> <p>5# x108</p>
 <p>Plastic Clips</p> <p>Z1 $\times 4$</p>	 <p>ST4.8x30</p> <p>6# x48</p>
 <p>Plastic Clips</p> <p>Z2 $\times 4$</p>	 <p>ST4.8x35</p> <p>7# x84</p>
 <p>Plastic Clips</p> <p>Z3 $\times 2$</p>	 <p>M5x16</p> <p>8# x6</p>
 <p>Plastic Clips</p> <p>Z4 $\times 2$</p>	 <p>ST4.8x13</p> <p>9# x28</p>
 <p>M6x16</p> <p>1# x287</p>	 <p>4x12</p> <p>10# x8</p>
 <p>M6x20</p> <p>2# x36</p>	 <p>M6x12</p> <p>11# x12</p>
 <p>3# x16</p>	 <p>ST6.3*18</p> <p>12# x20</p>
 <p>Plastic Hooks</p> <p>4# x160</p>	

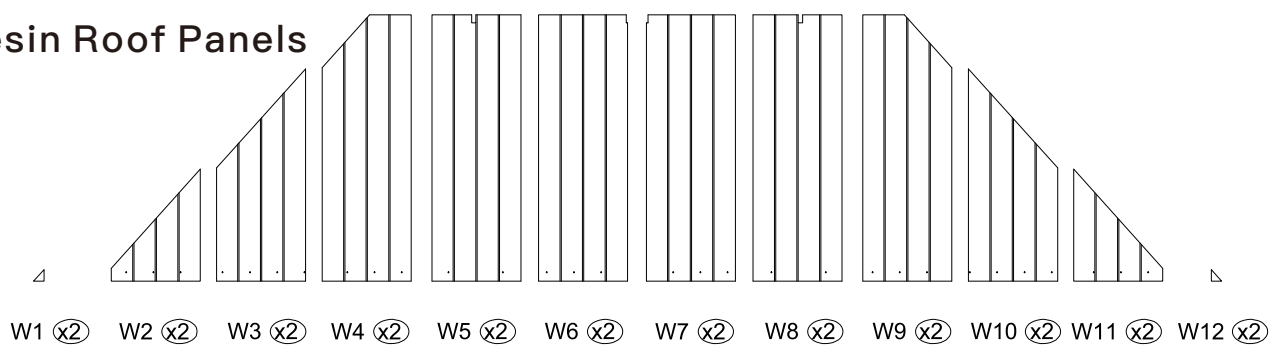
Metal Roof Panels



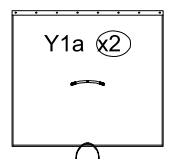
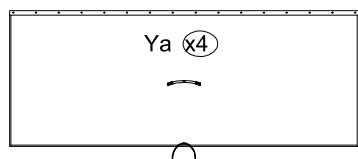
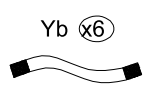
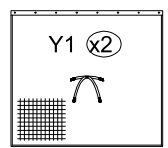
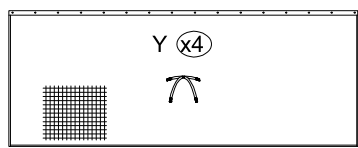
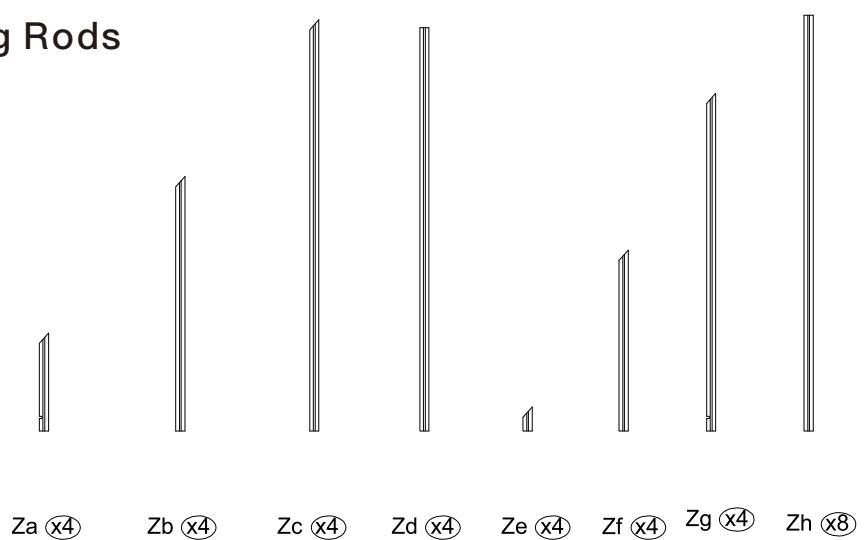
Resin Roof Panels



Resin Roof Panels



Connecting Rods

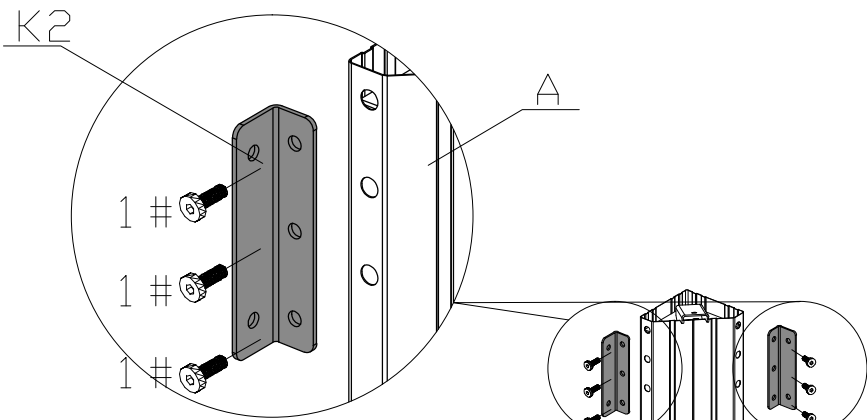
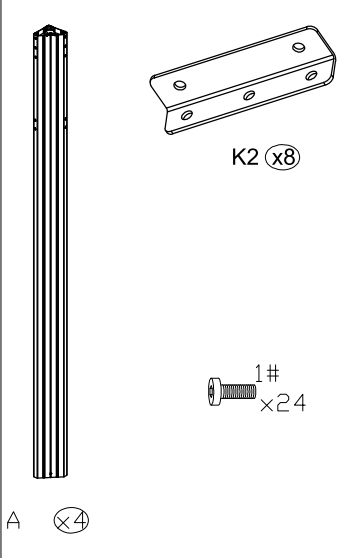


Mosquito Netting

Strap

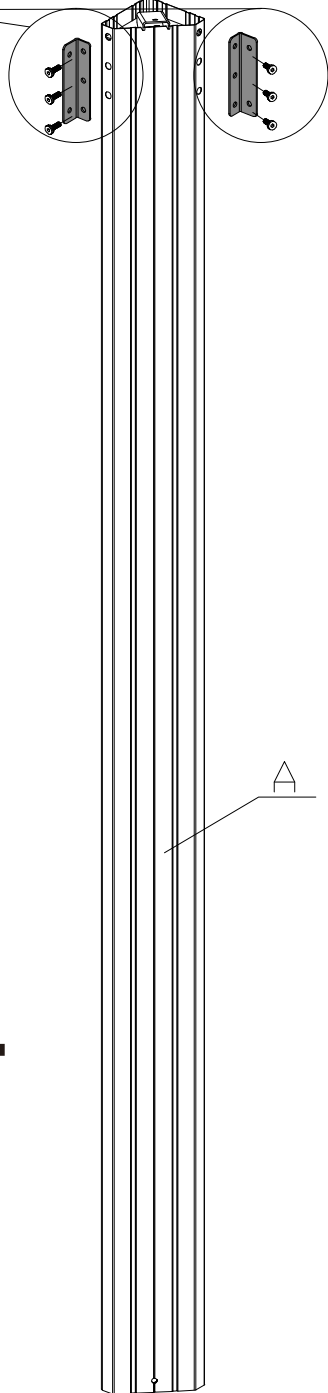
Curtain

POST ASSEMBLY



Attach 2 Part #K2 to Part #A with 6 Bolts #1.

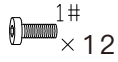
Repeat the above procedures to assemble the other 3 Poles.



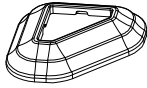
X4



K ⊗4



1#
× 12



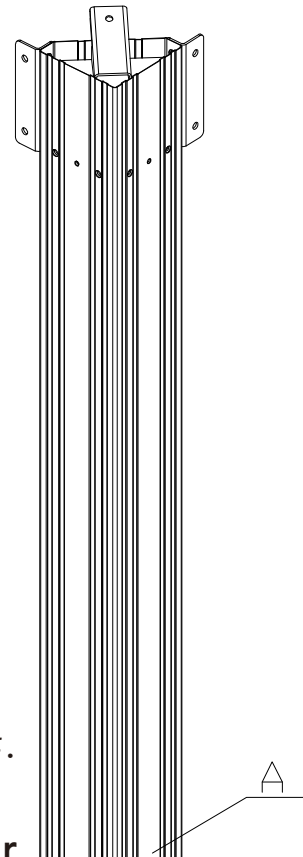
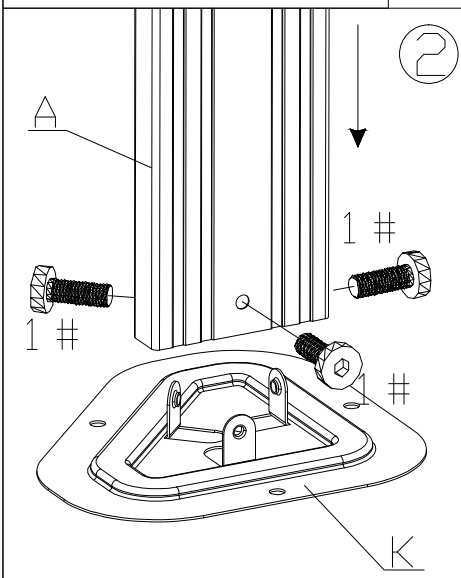
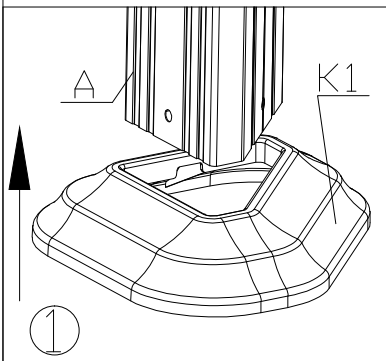
K1 ⊗4

BASE COVER ASSEMBLY

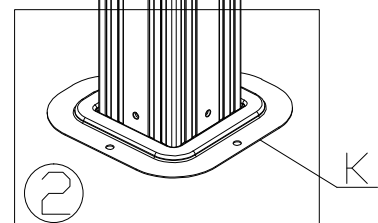
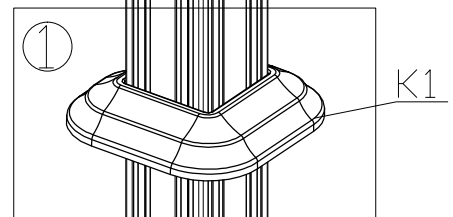
(1) Put on Base Cover #K1 first.

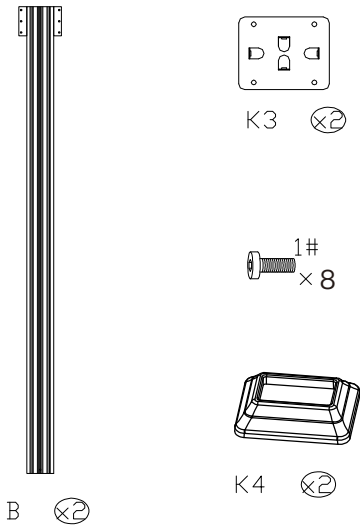
(2) Attach Base #K to the Pole #A with 3 Bolts 1#.

Repeat above procedures to assemble the other Poles #A.



X4

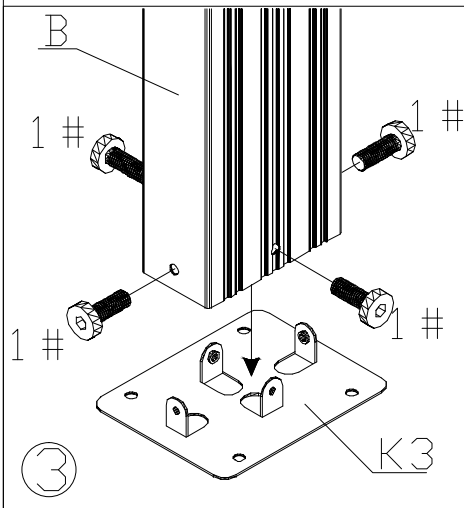
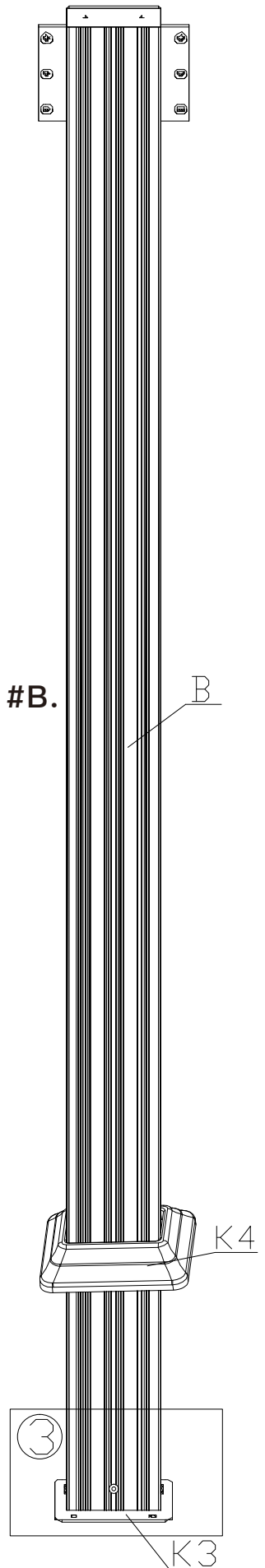


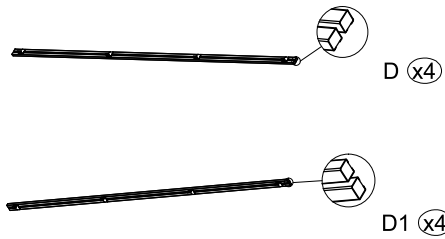


- (1) Put on Base Cover #K4 first.
- (2) Attach Base #K3 to the Pole #B with 4 Bolts #1.

Repeat above procedures to assemble the other Pole #B.

X2

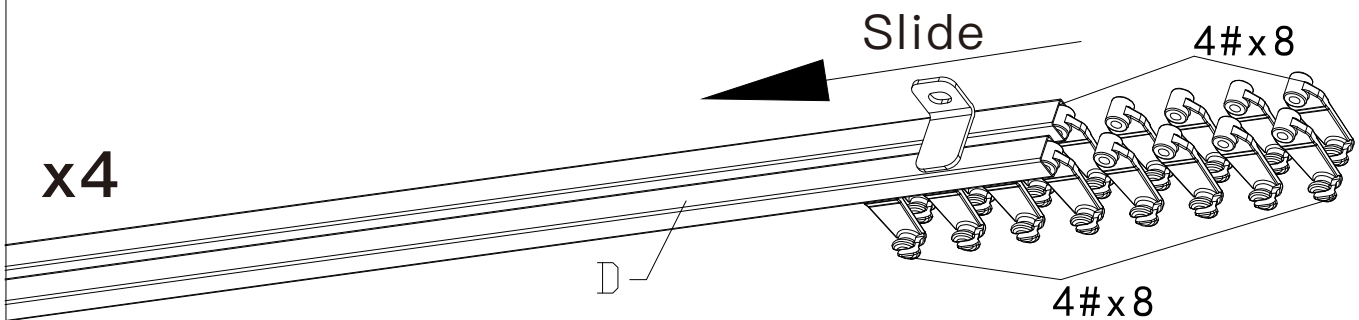




PLASTIC HOOKS ASSEMBLY

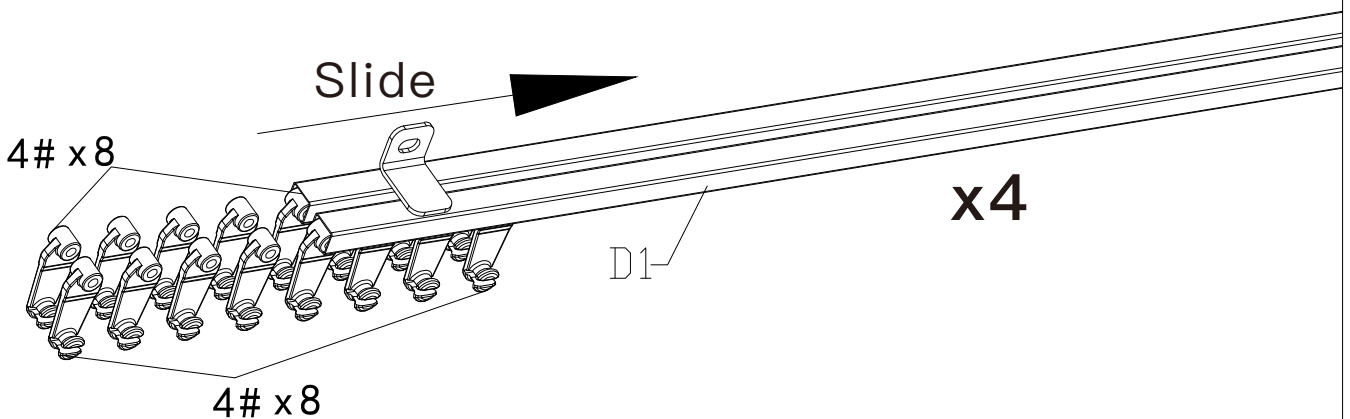
Slide the Plastic Hooks #4 to the double-rail track #D (each slot should slide 8 plastic hooks).

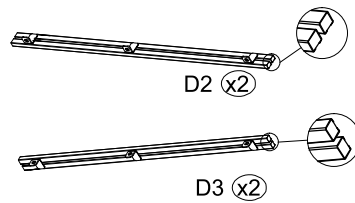
Repeat the above procedures for other 3 tracks D.



Slide the Plastic Hooks #4 to the double-rail track #D1 (each slot should slide 8 plastic hooks).

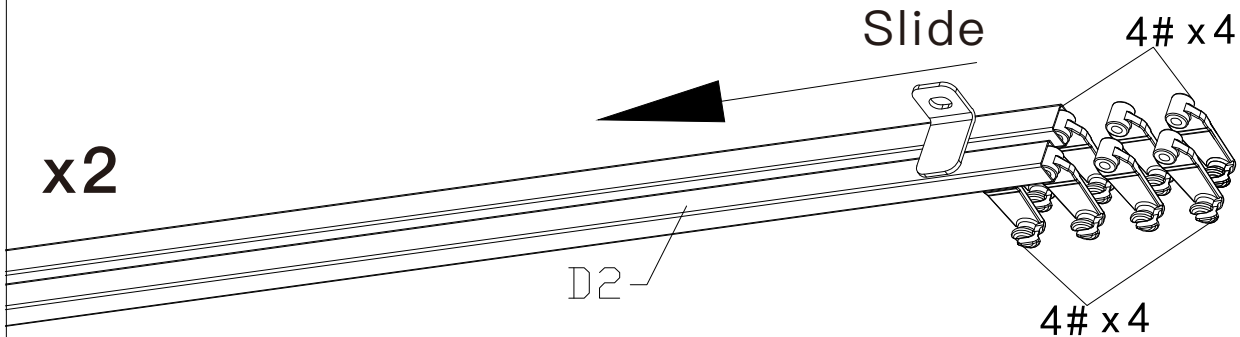
Repeat the above procedures for other 3 tracks D1.





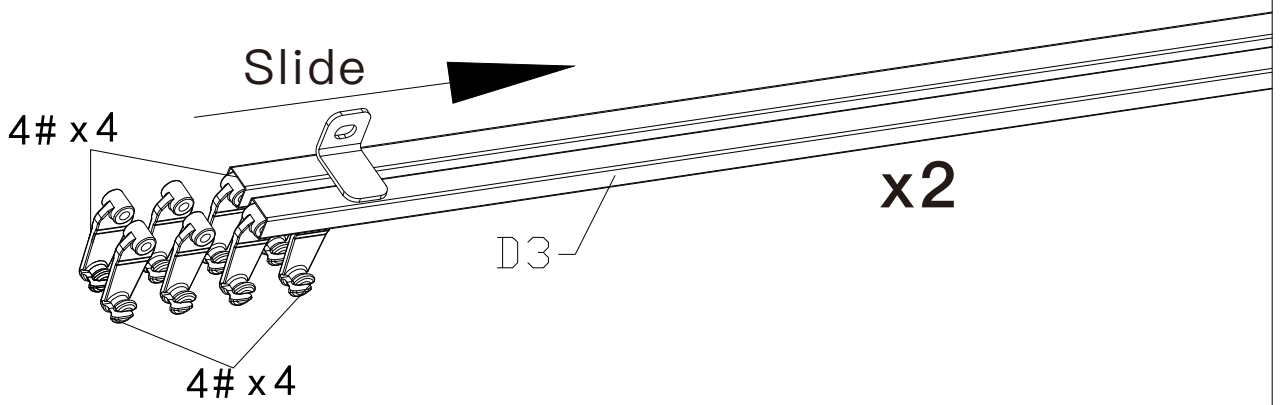
Slide the Plastic Hooks #4 to the double-rail track #D2 (each slot should slide 4 plastic hooks).

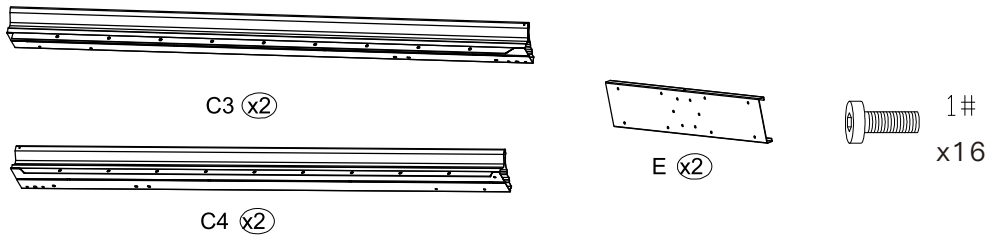
Repeat the above procedures for the other track D2.



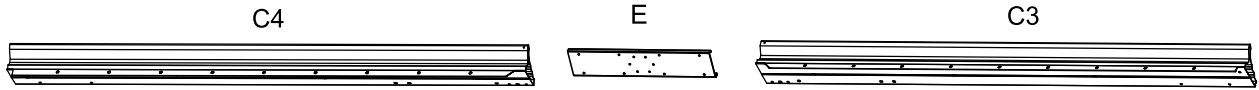
Slide the Plastic Hooks #4 to the double-rail track #D3 (each slot should slide 4 plastic hooks).

Repeat the above procedures for the other track D3.



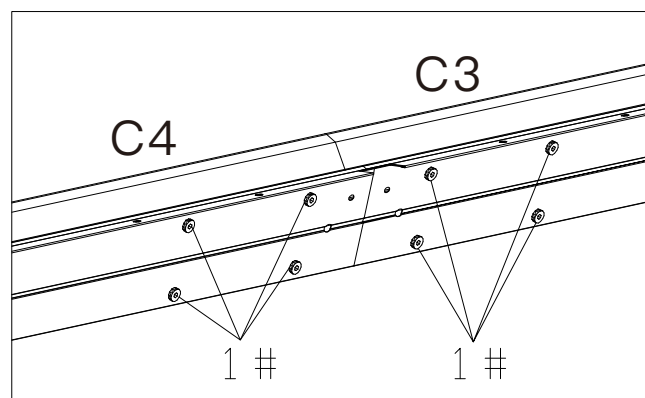
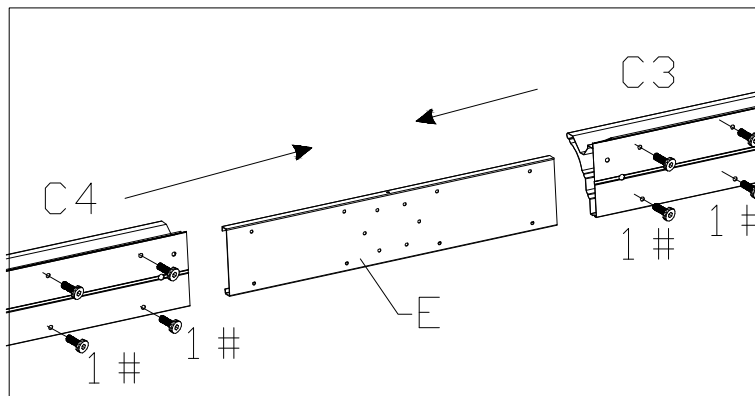


BEAM ASSEMBLY

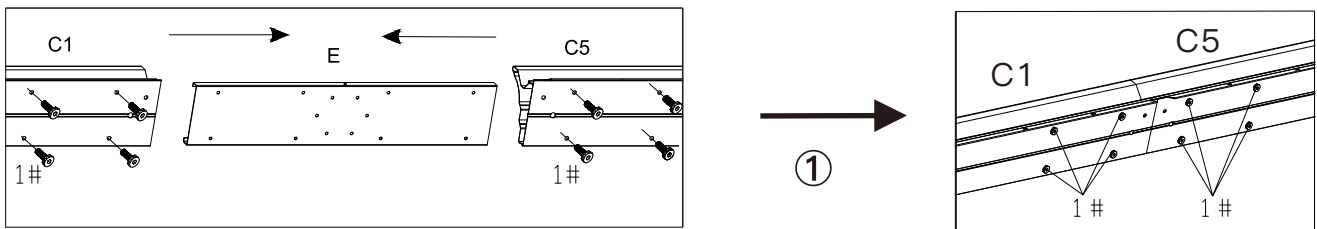
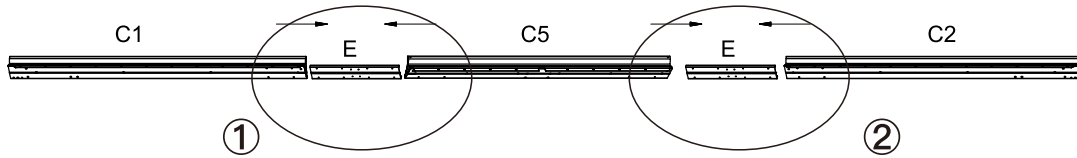
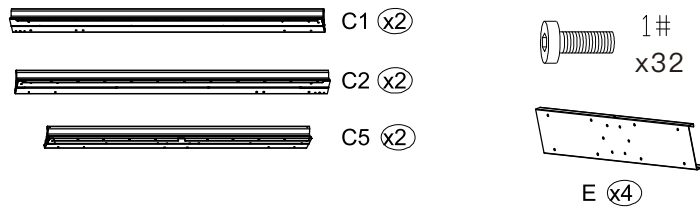


- (1) Insert Union Bar #E into Beam #C4, and secure with 4 Bolts #1.
- (2) Insert the other side of Union Bar #E into Beam #C3 and secure with 4 Bolts #1.

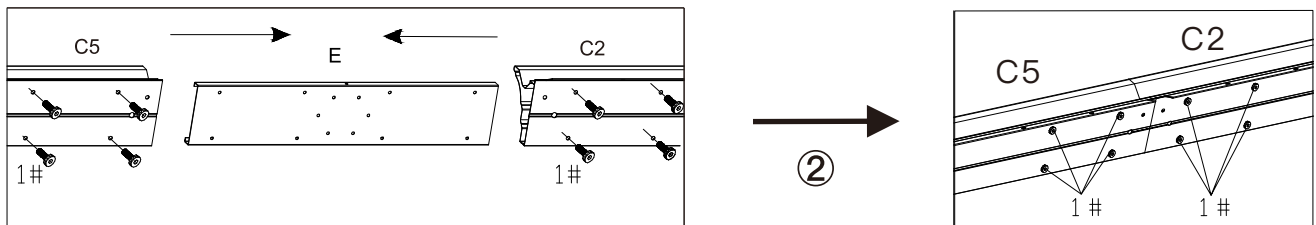
Repeat the above procedures to assemble the other Beams #C3 and #C4.



TIPS: It's a normal situation that there's a gap between the 2 beams, please use silicone sealant (part #H) and Joint Cover #G to affix the gap. (See P9)



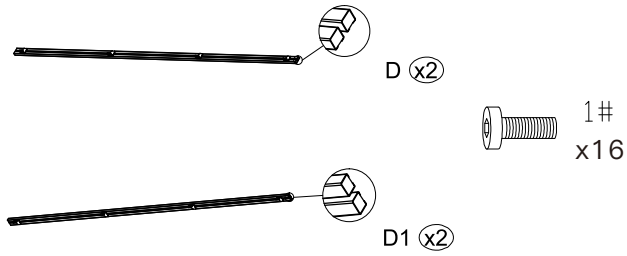
(1) Use Union Bar #E to connect Part #C1 and Part #C5, and secure with 8 Bolts 1#.



(2) Use Union Bar #E to connect Part #C5 and Part #C2, and secure with 8 Bolts 1#.

Repeat above procedures to assemble the other Beams #C1, #C2 and #C5.

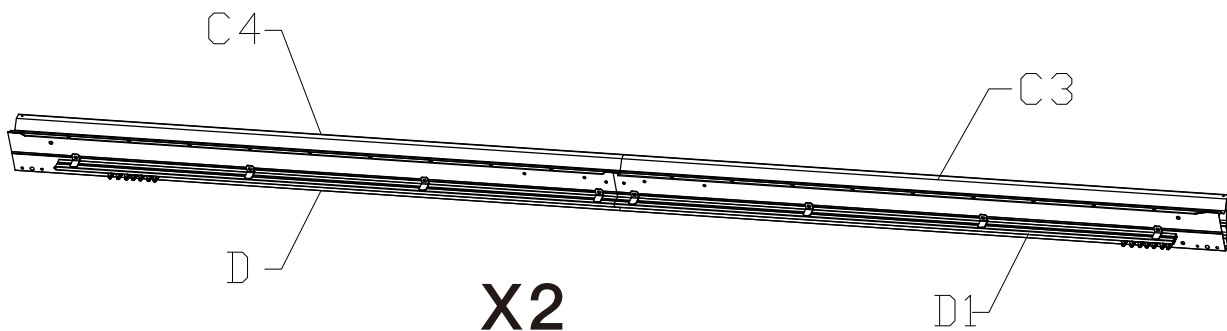
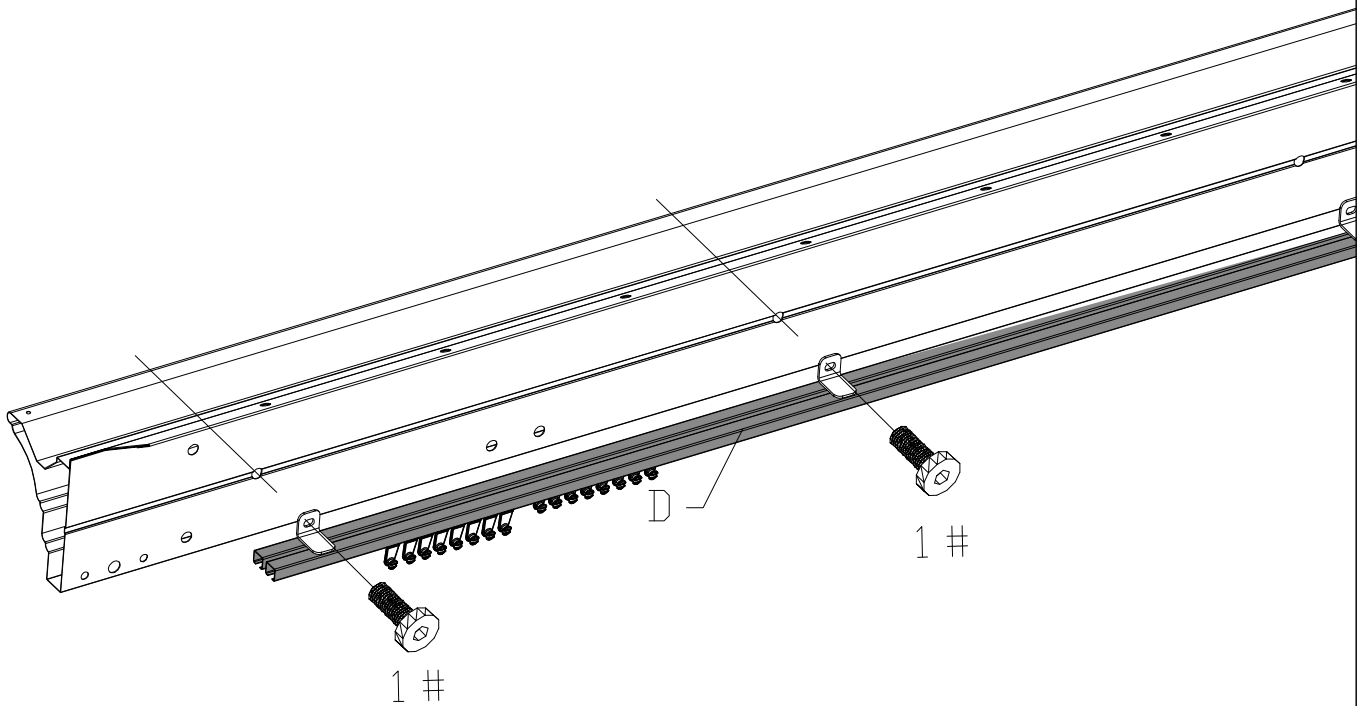
TIPS: It's a normal situation that there's a gap between the 2 beams, please use silicone sealant (part #H) and Joint Cover #G to affix the gap. (See P9)



SIDEWALL TRACKS ASSEMBLY

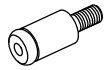
- (1) Secure Sidewall Track #D to Beam #C4 using 4 Bolts #1.
- (2) Secure Sidewall Track #D1 to Beam #C3 using 4 Bolts #1.

Repeat the above procedures for the other tracks #D and #D1.



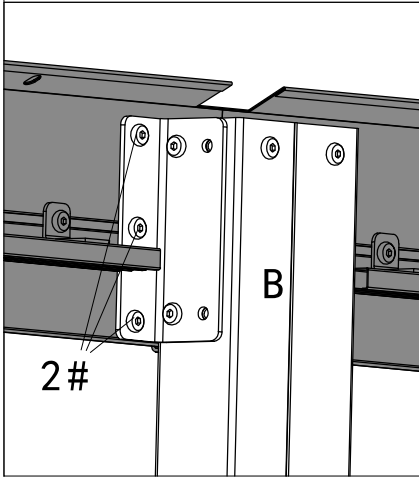


2#
x28



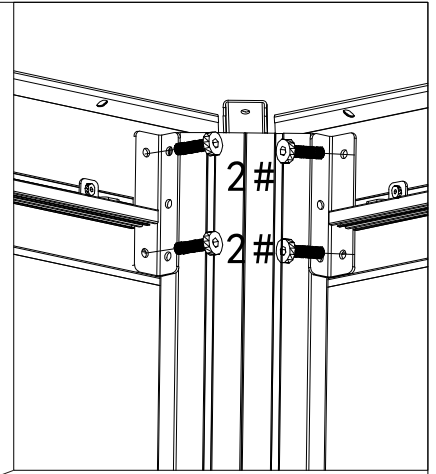
3#
x16

FRAME ASSEMBLY



2#

B

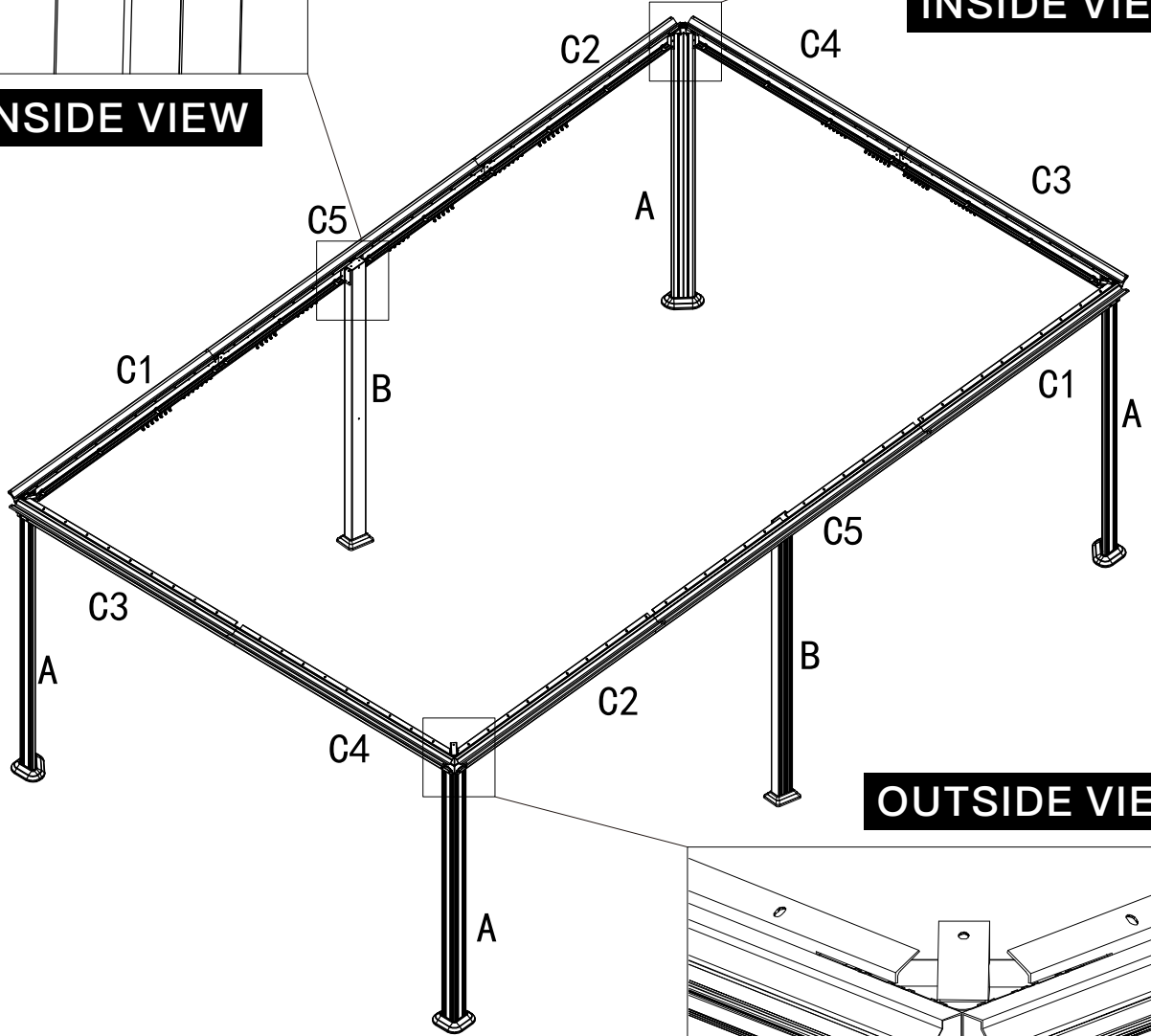


2#

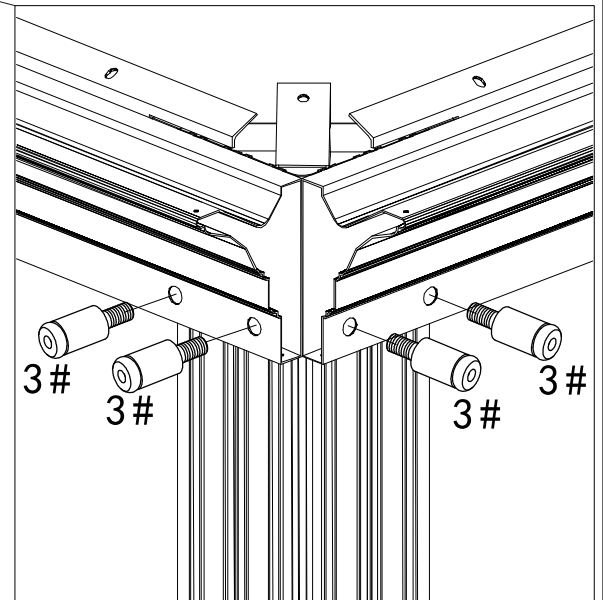
2#

INSIDE VIEW

INSIDE VIEW



OUTSIDE VIEW



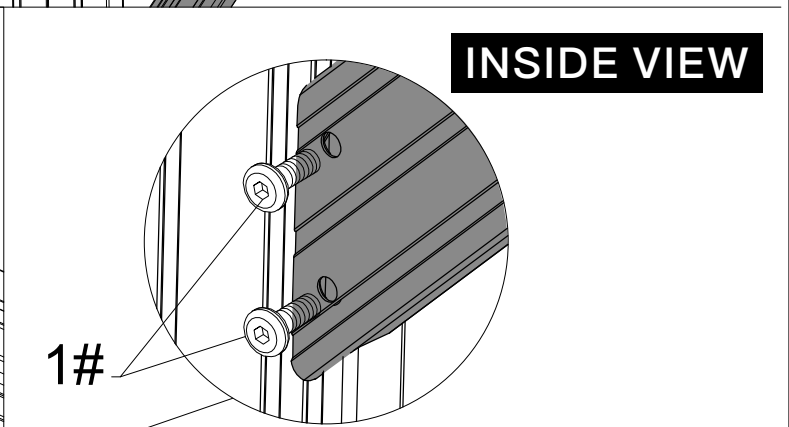
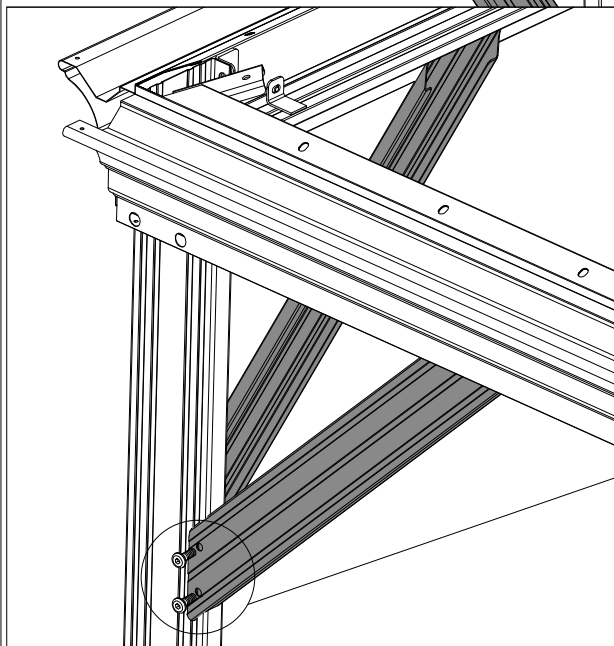
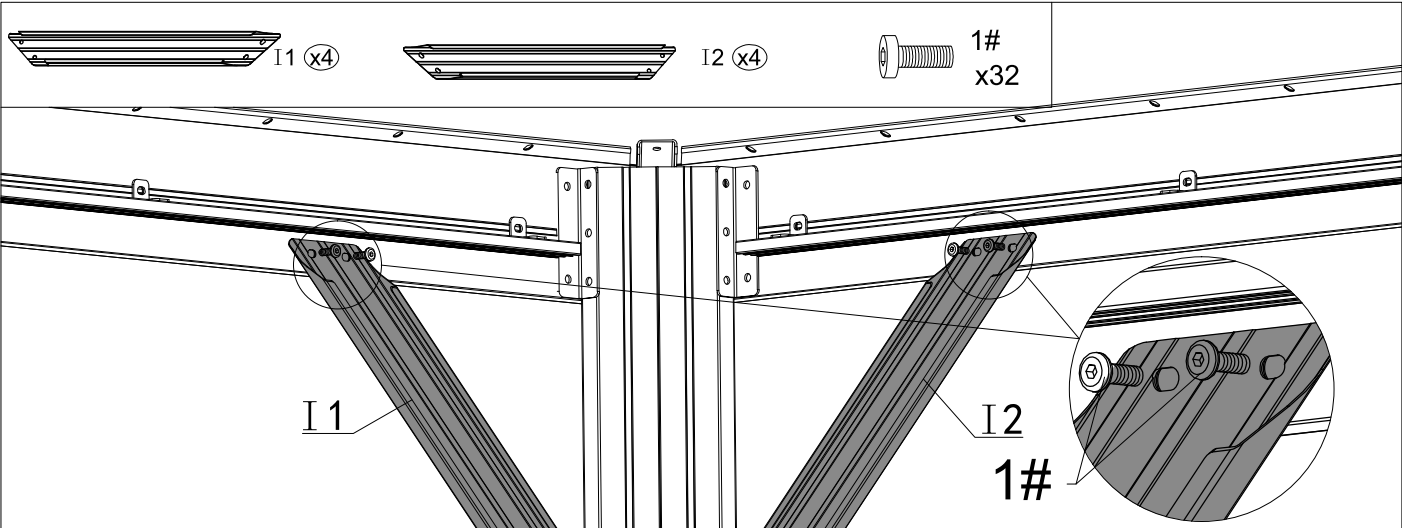
3#

3#

3#

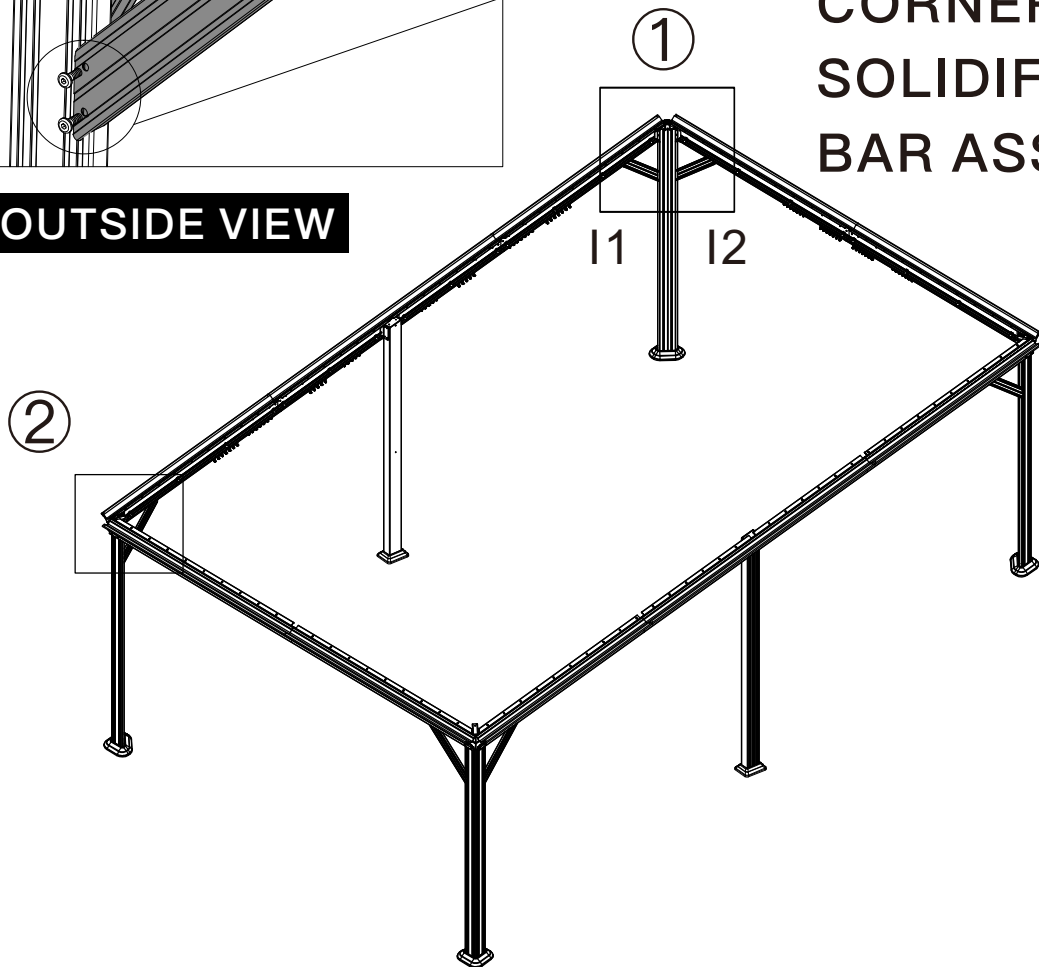
3#

Please don't tighten all bolts.



**CORNER
SOLIDIFYING
BAR ASSEMBLY**

OUTSIDE VIEW

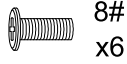




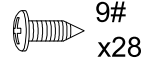
F (x4)



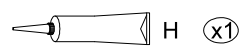
G (x6)



8#
x6

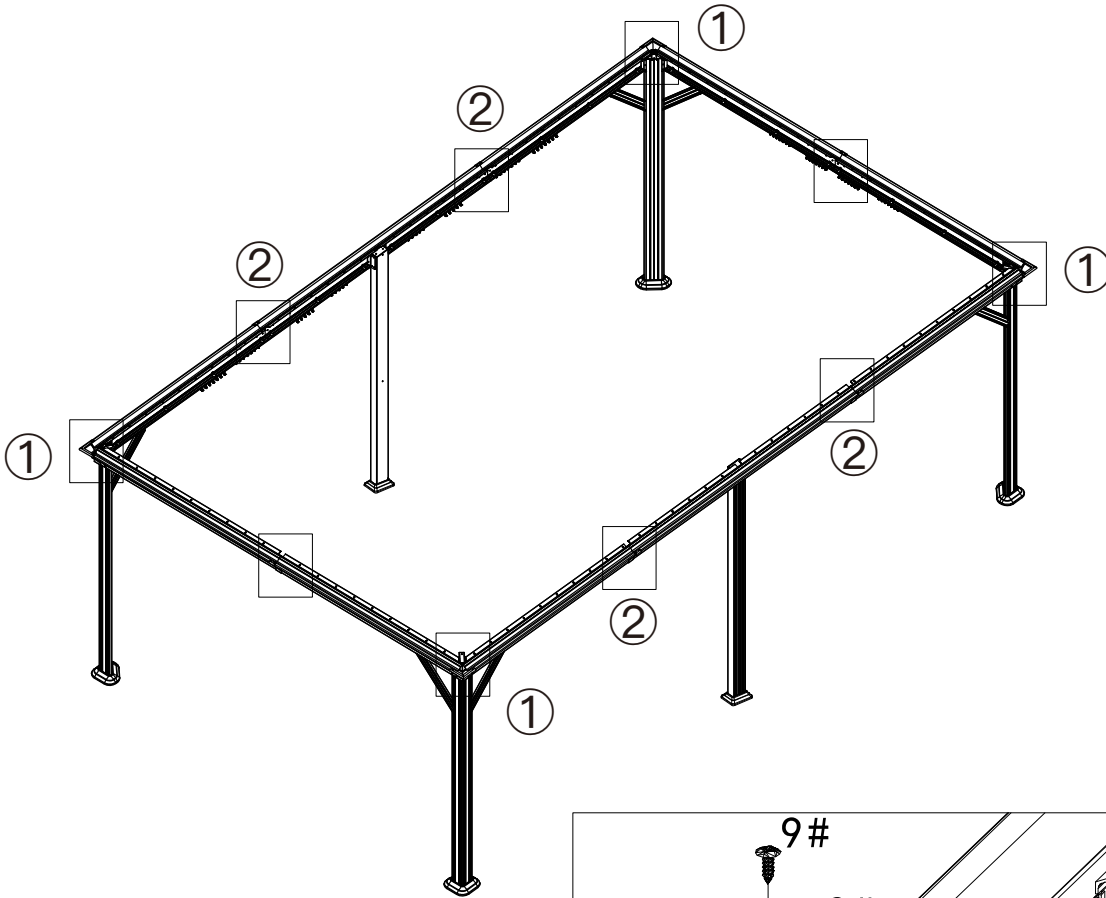


9#
x28

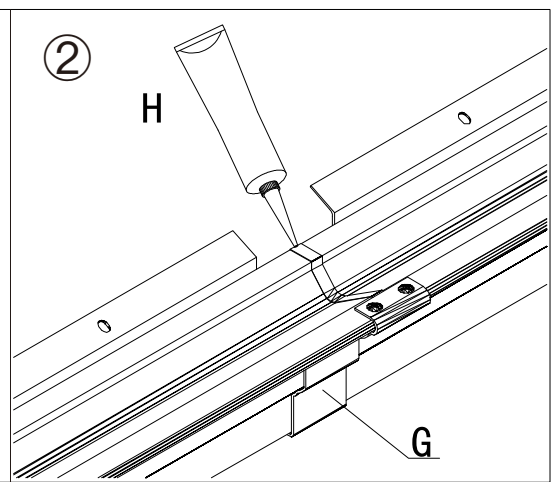
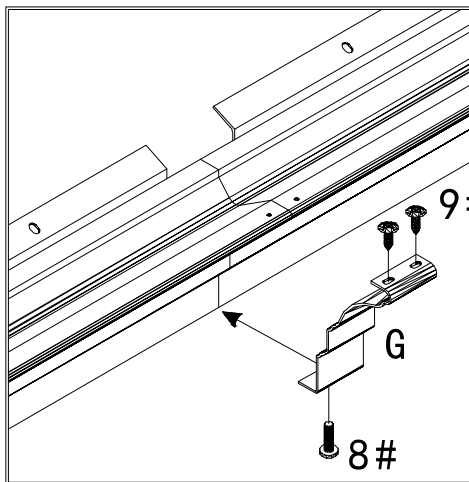
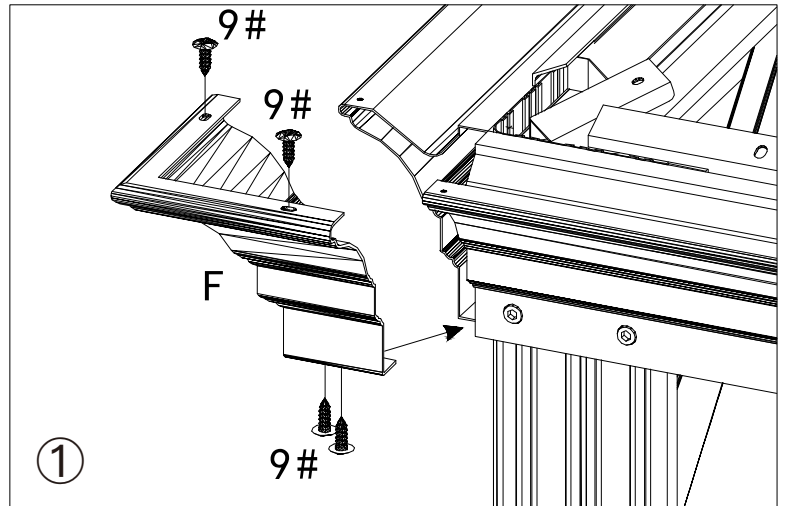


H (x1)

CORNER COVER & JOINT COVER ASSEMBLY



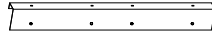
Use 5mm silicone sealant (part #H) and Joint Cover #G to affix the gap.



O6 (x2)



O4 (x2)



O5 (x2)

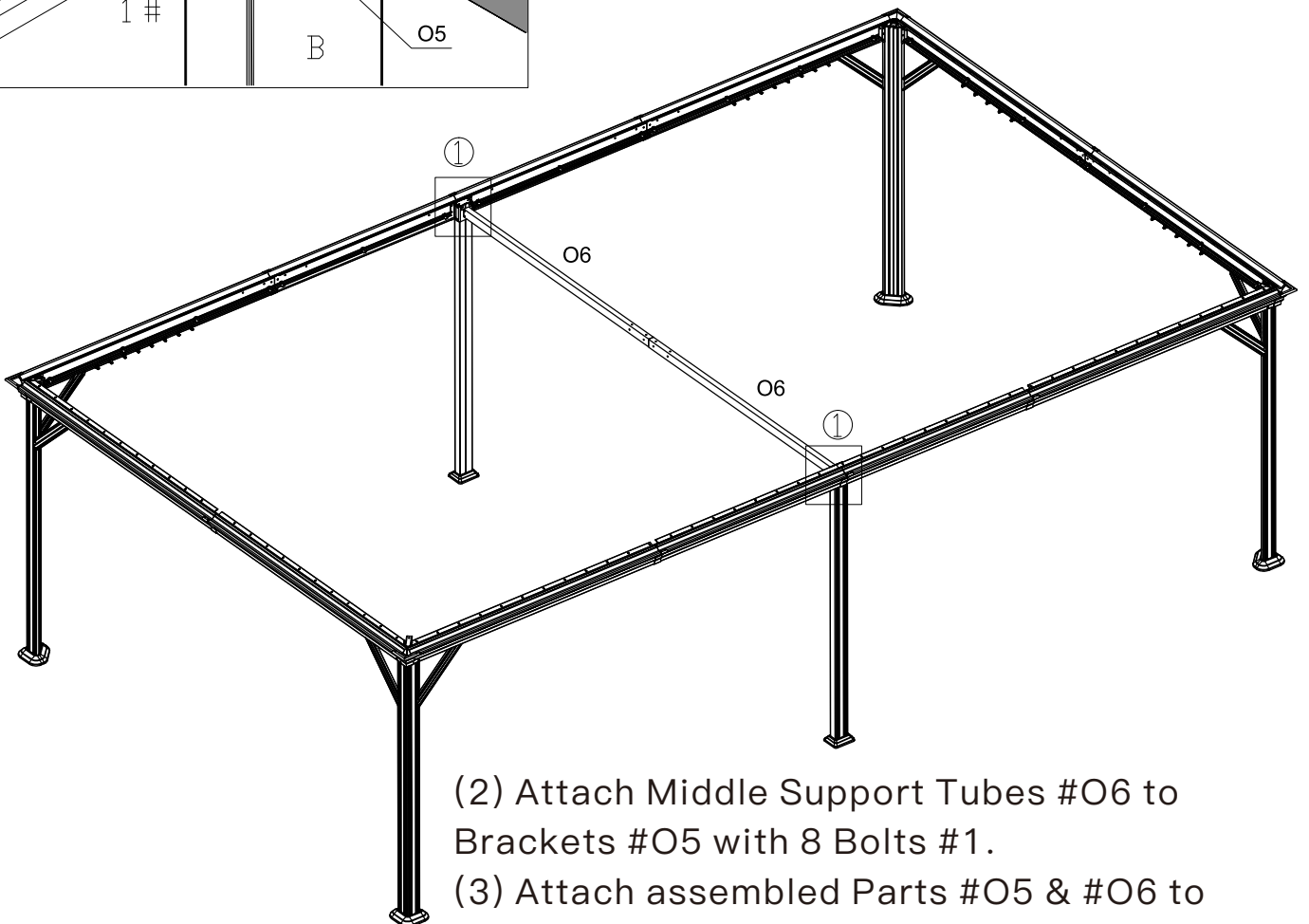
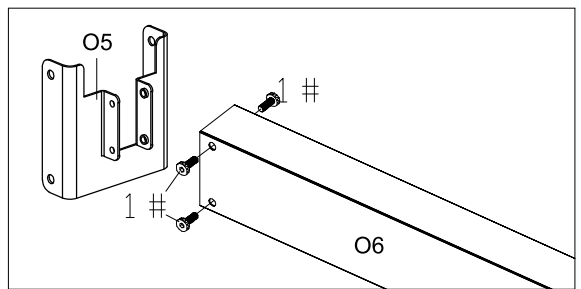
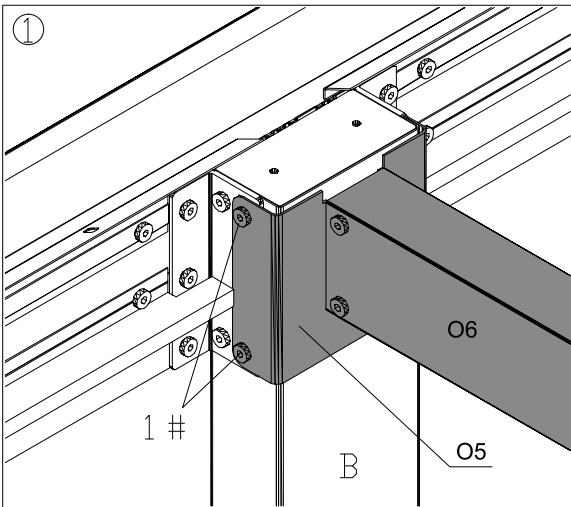
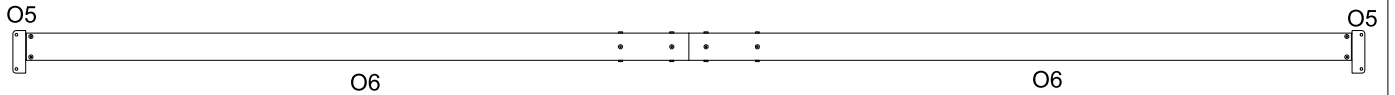
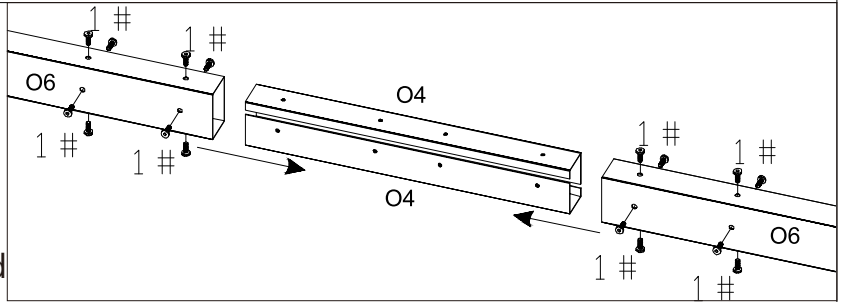


1#
x32



MIDDLE SUPPORT TUBES ASSEMBLY

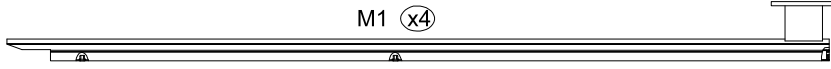
(1) Use Part #O4 to connect 2 Middle Support Tubes #O6, and secure them with 16 Bolts #1.



(2) Attach Middle Support Tubes #O6 to Brackets #O5 with 8 Bolts #1.

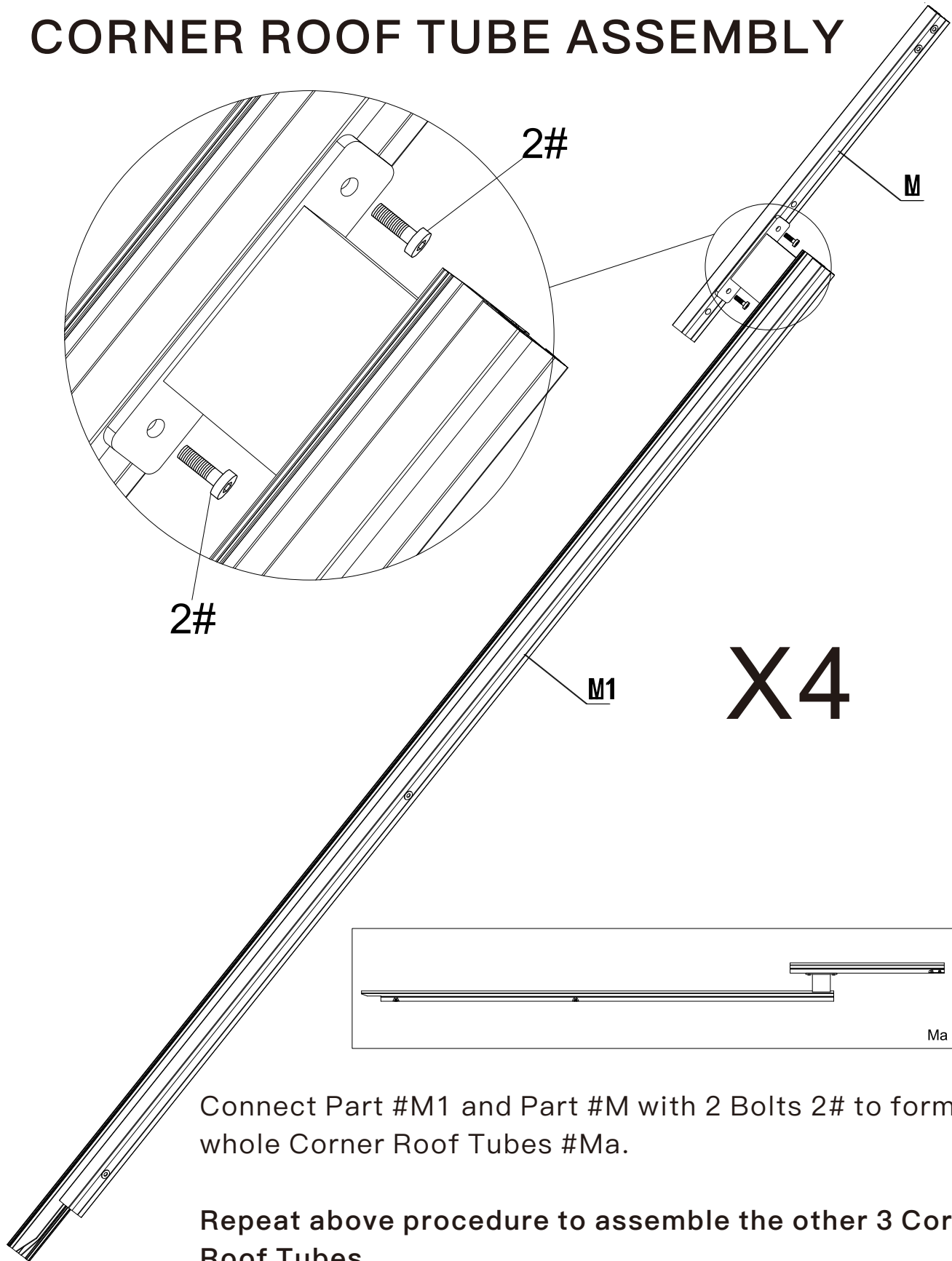
(3) Attach assembled Parts #O5 & #O6 to the Poles #B, and secure them with 8 Bolts #1.

M (x4)



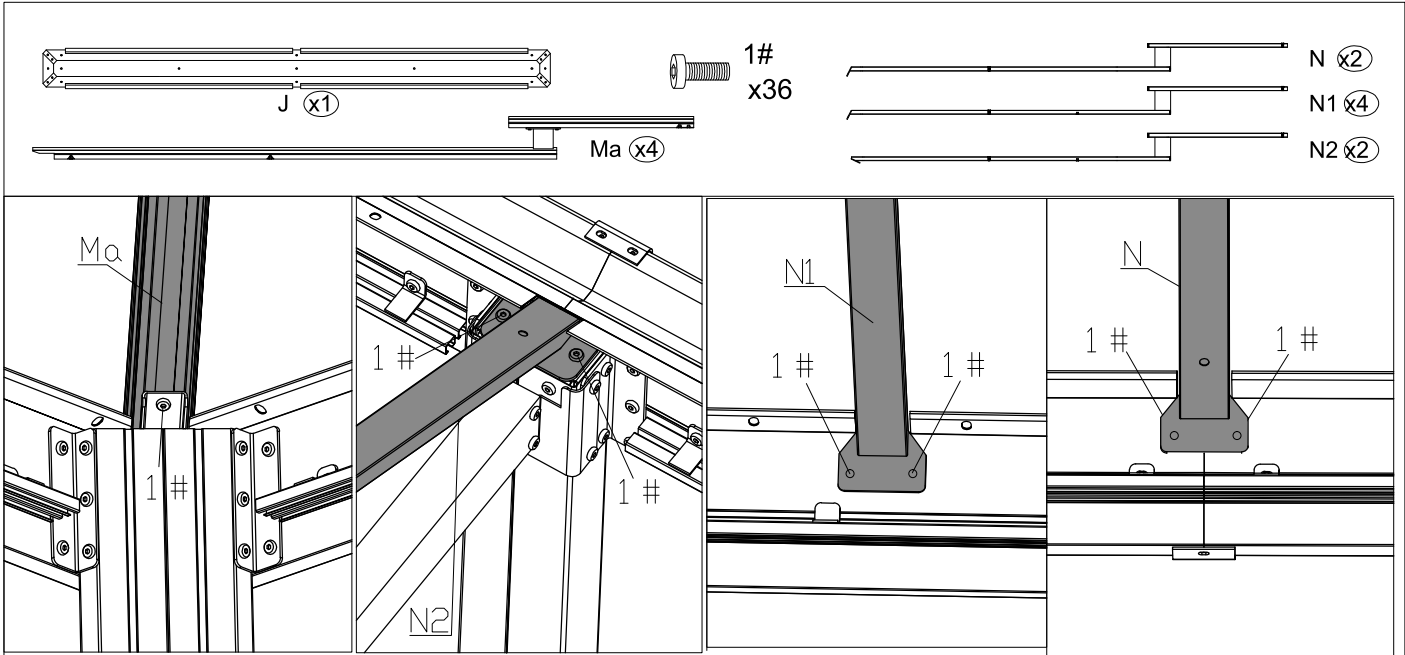
2#
x8

CORNER ROOF TUBE ASSEMBLY

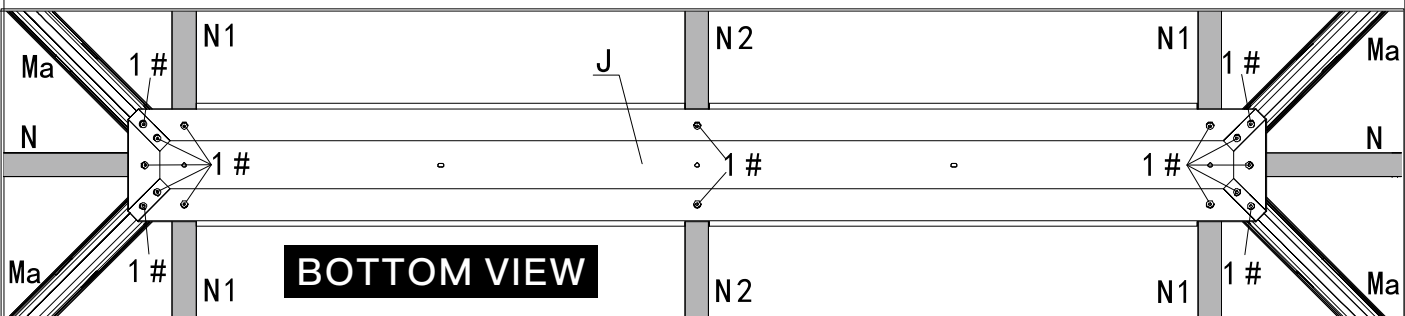
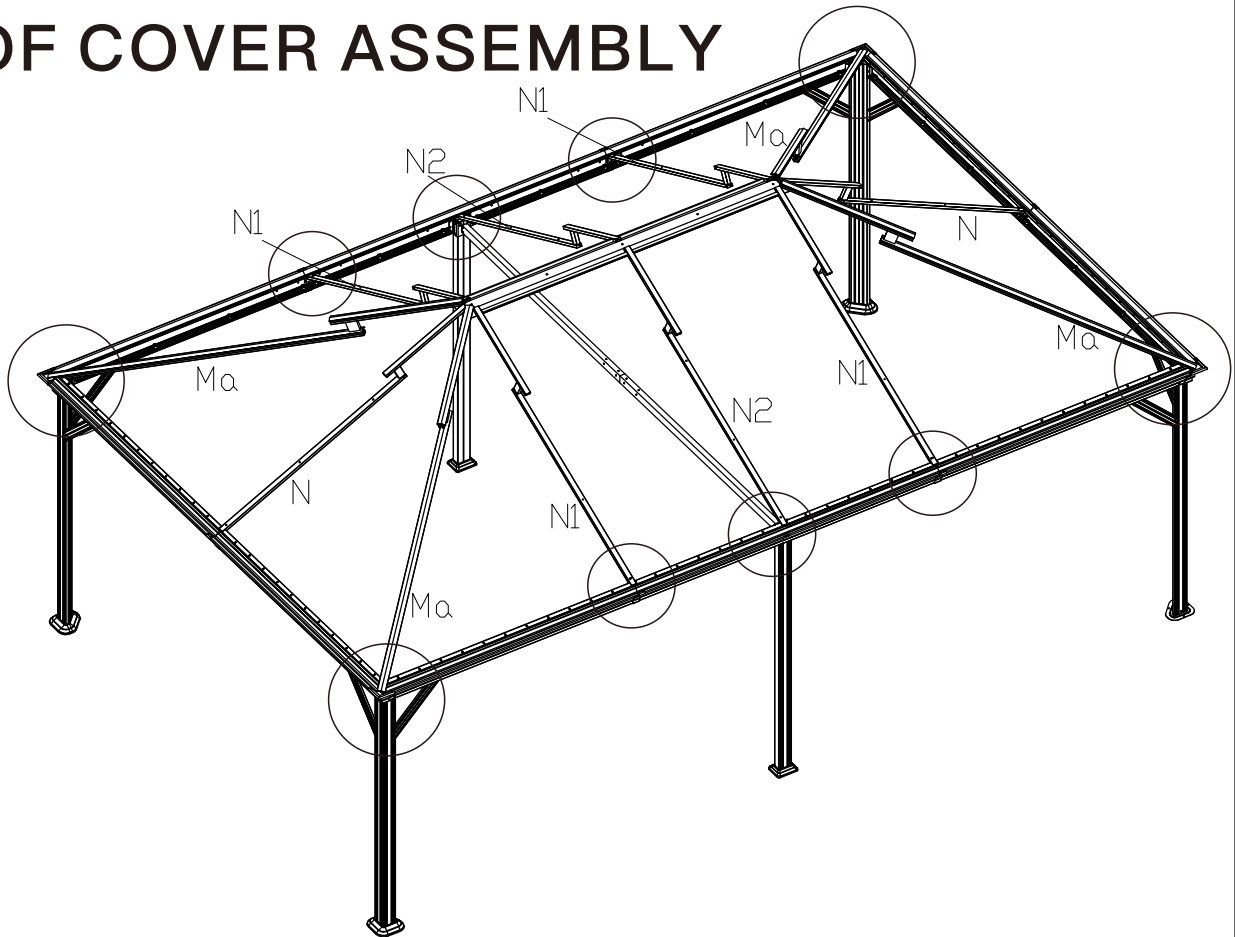


Connect Part #M1 and Part #M with 2 Bolts 2# to form whole Corner Roof Tubes #Ma.

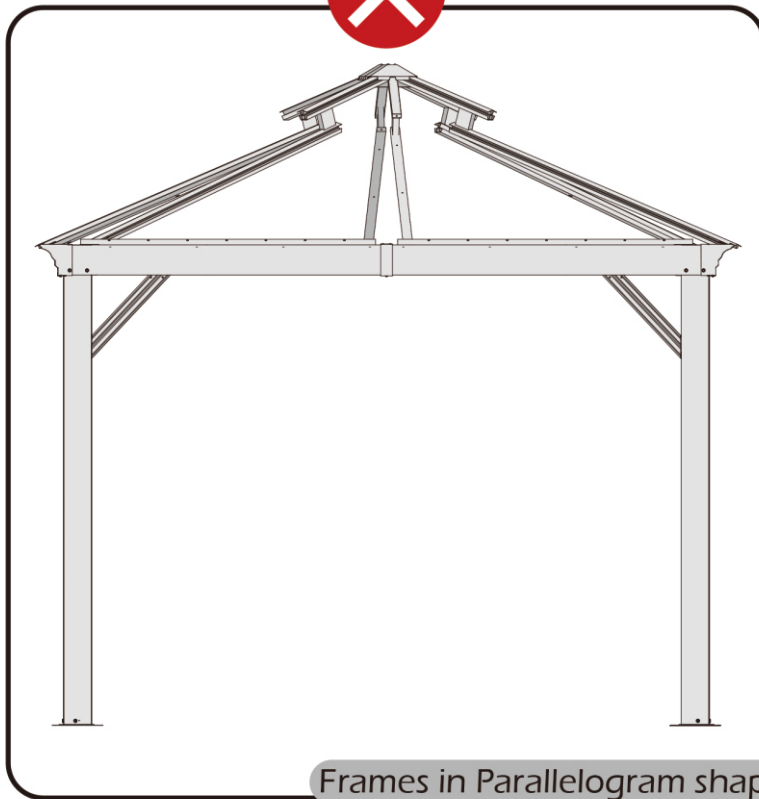
Repeat above procedure to assemble the other 3 Corner Roof Tubes.



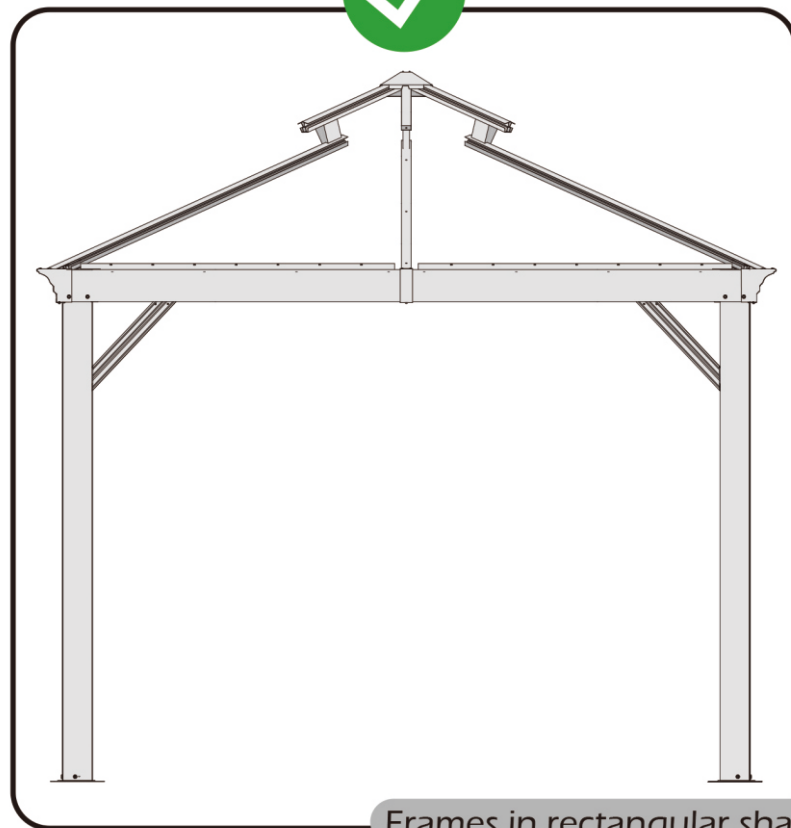
ROOF TUBES AND INSIDE ROOF COVER ASSEMBLY



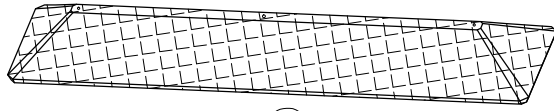
Check the the frame as pictures below shows.



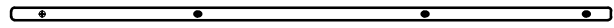
Frames in Parallelogram shape



Frames in rectangular shape



O (x1)

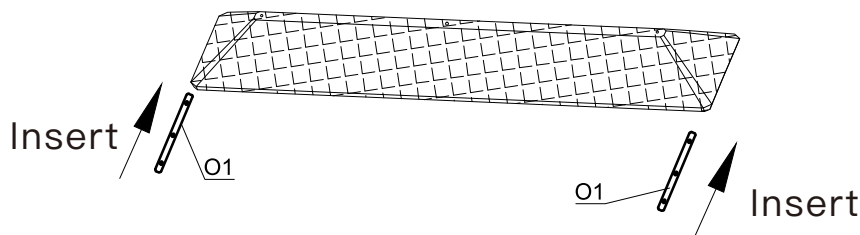
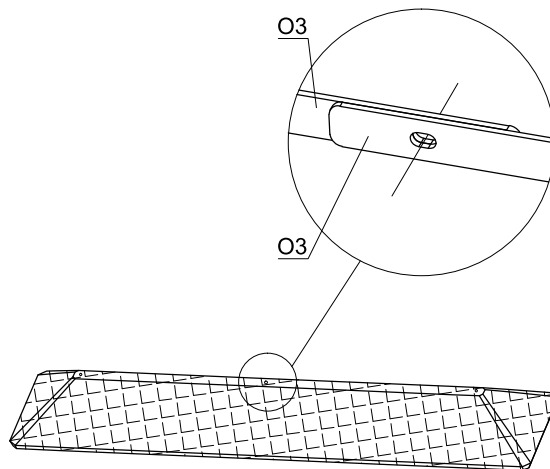
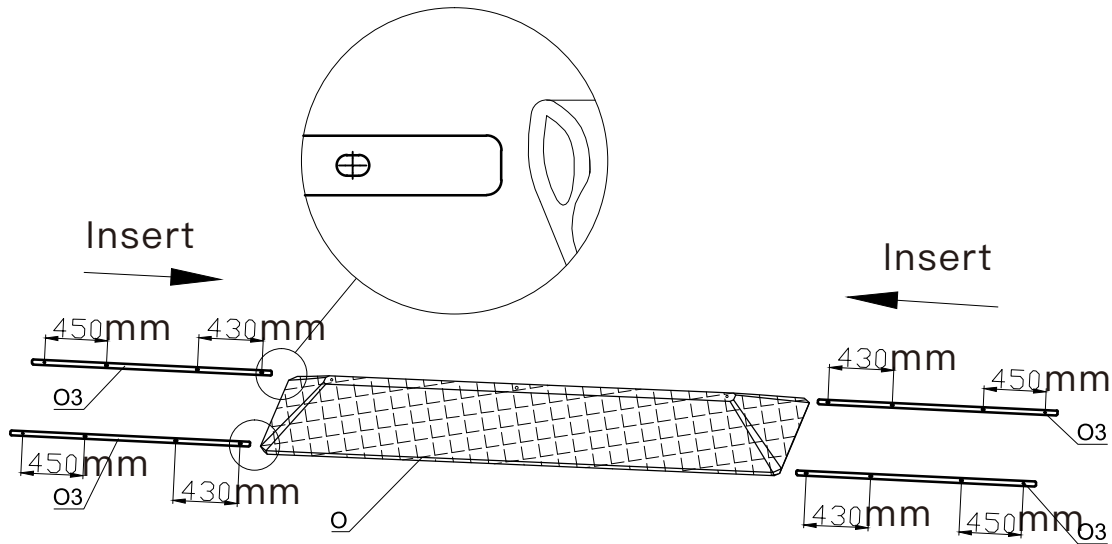


O3 (x4)

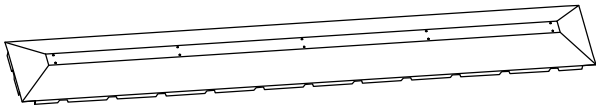


O1 (x2)

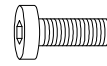
PLASTIC BAR ASSEMBLY



Please pay attention to the installation position of the O3 and do not install it backwards.



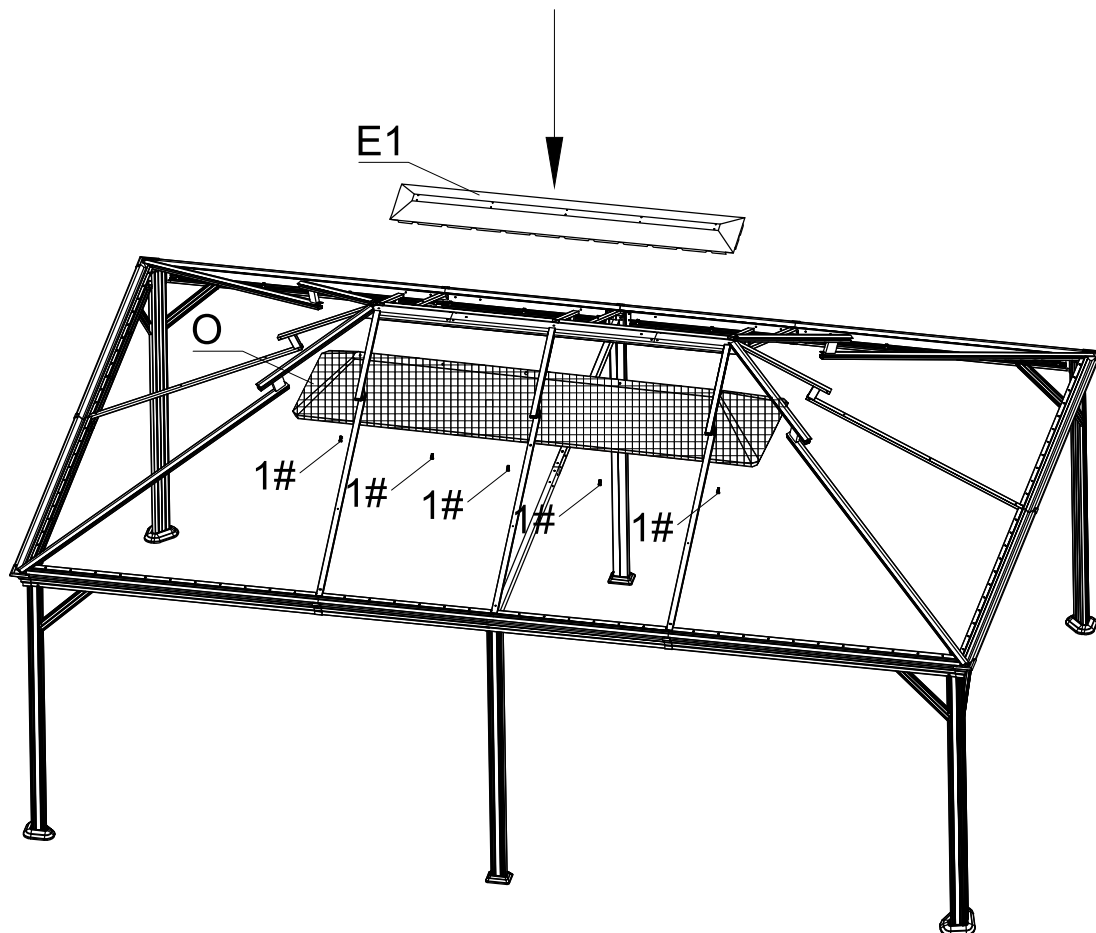
E1 (x1)

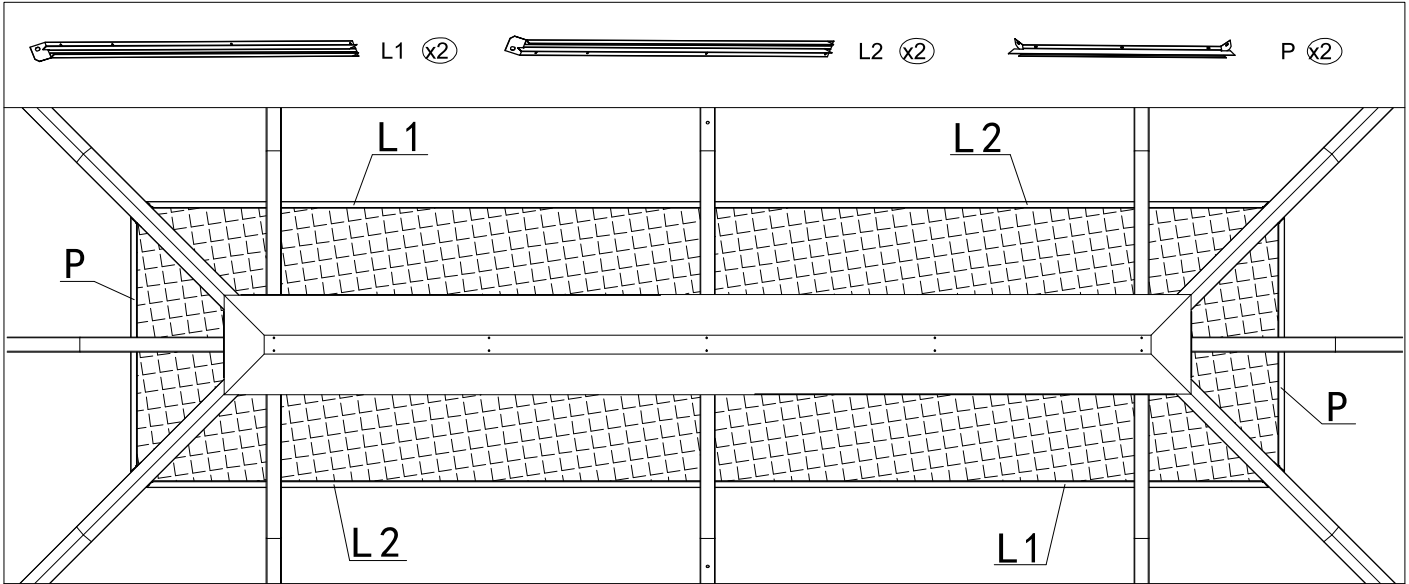


1#
x5

OUTSIDE ROOF COVER AND MESH ASSEMBLY

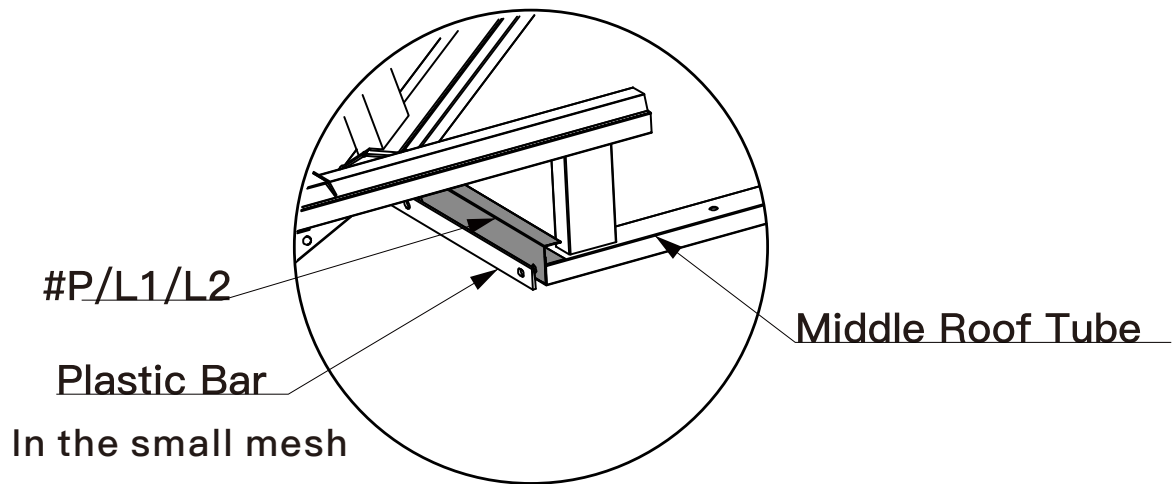
- (1) Place the Outside Roof Cover on the Inside Roof Cover.
- (2) Align the holes and use 5 Bolts 1# to secure Mesh #0 to the Inside Roof Cover (From Bottom to Top).





Extend the small mesh #O

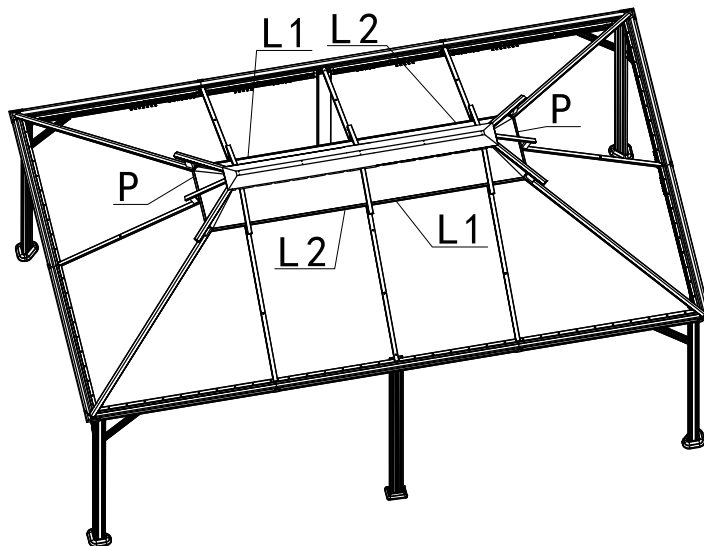
TOP VIEW

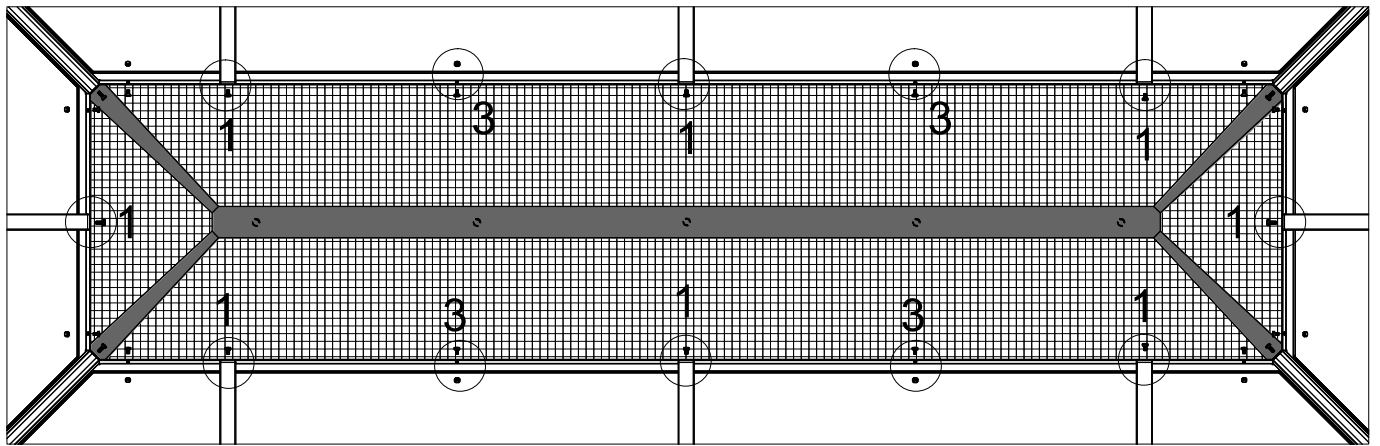
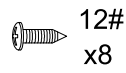
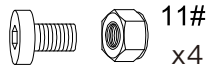


INSIDE VIEW

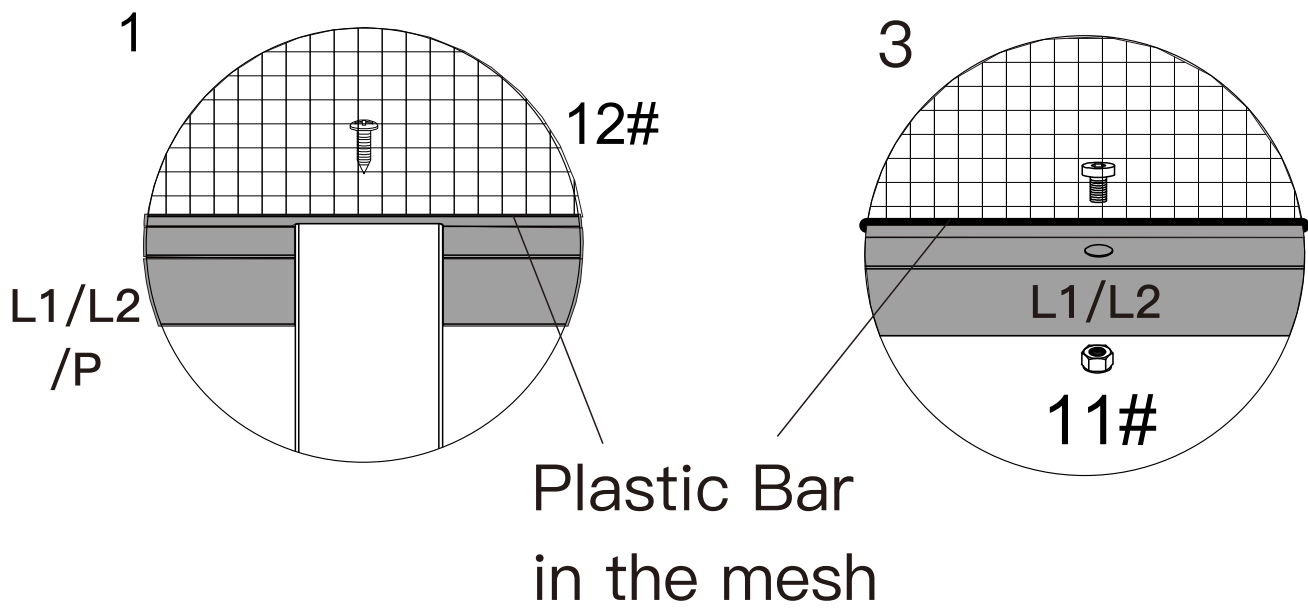


Please do not pull plastic bar out when installing it with #P, L1 & L2 on the middle roof tube.

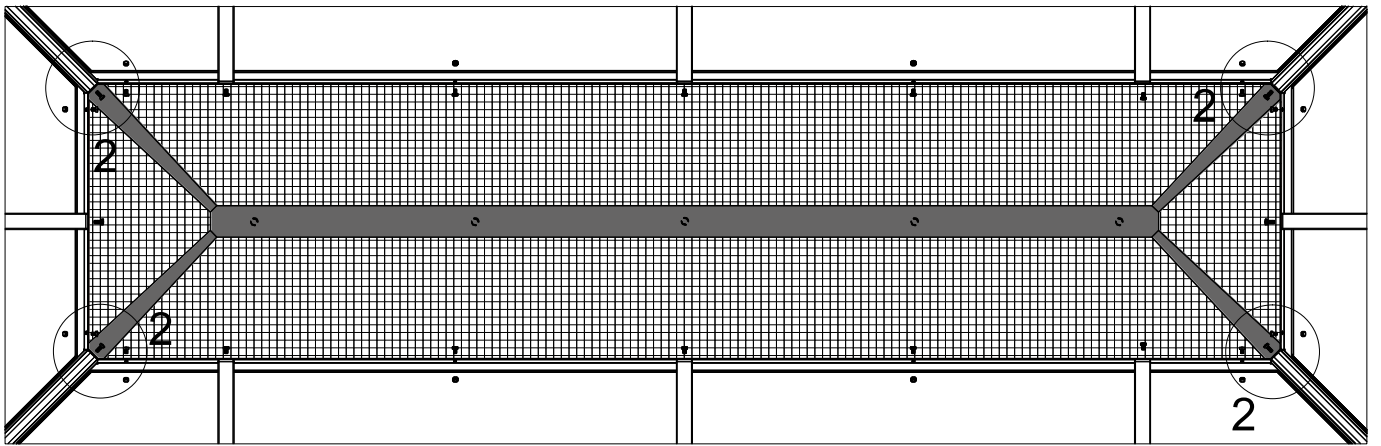
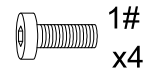
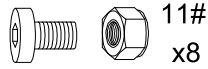




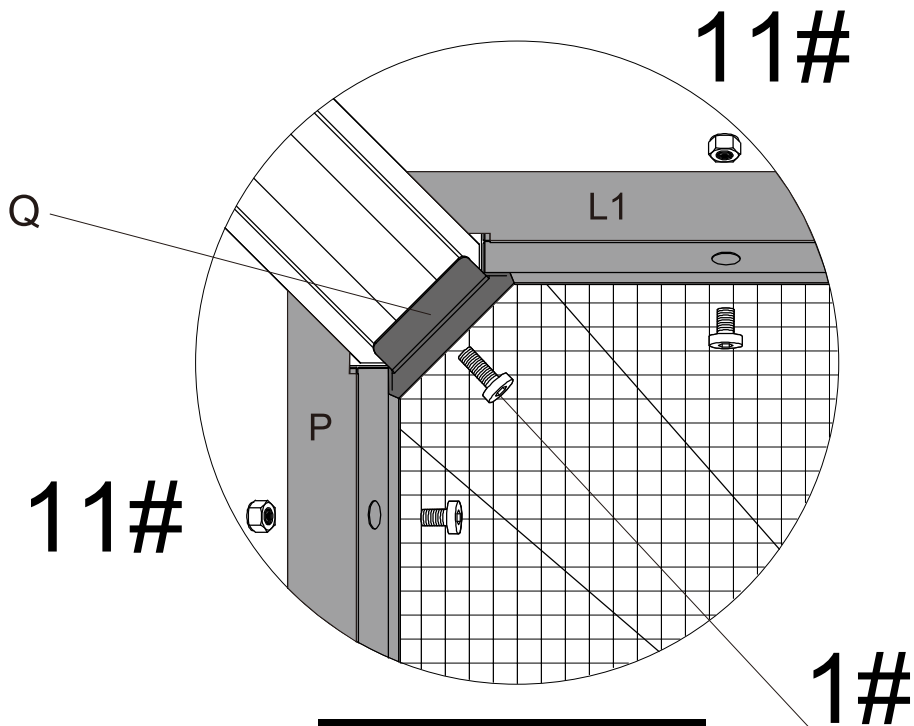
BOTTOM VIEW



Extend the small mesh, then secure the plastic bar (inside the small mesh) and the finishing bar to the roof tube.

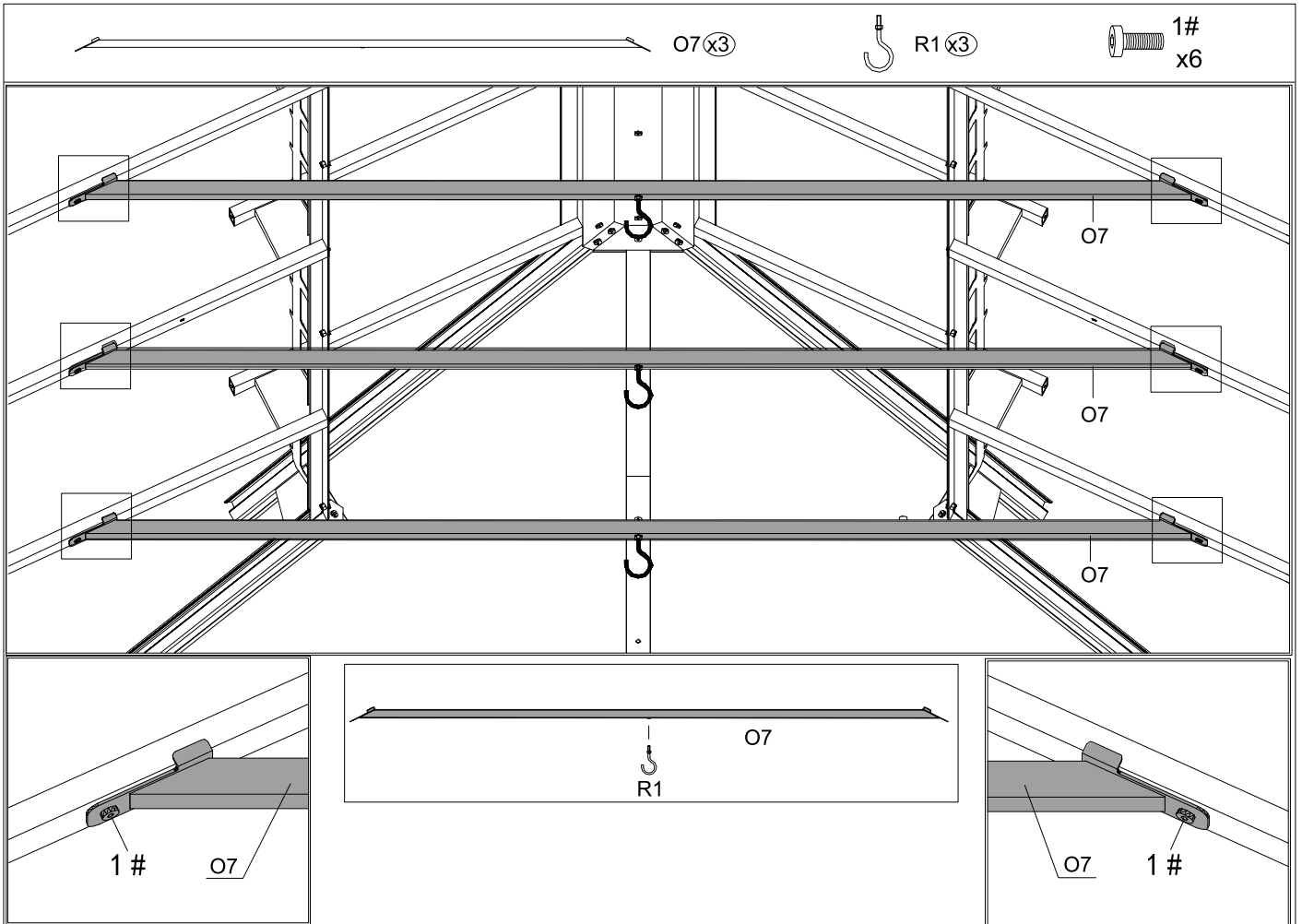


BOTTOM VIEW



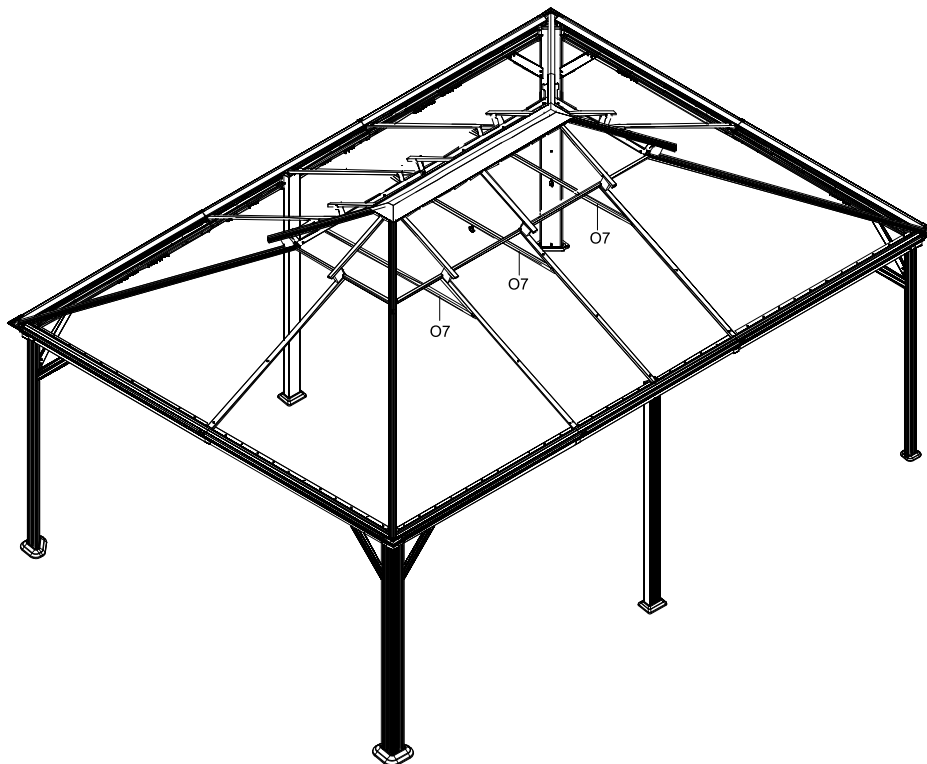
INSIDE VIEW

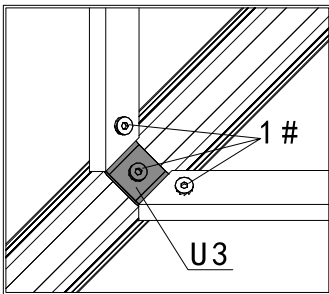
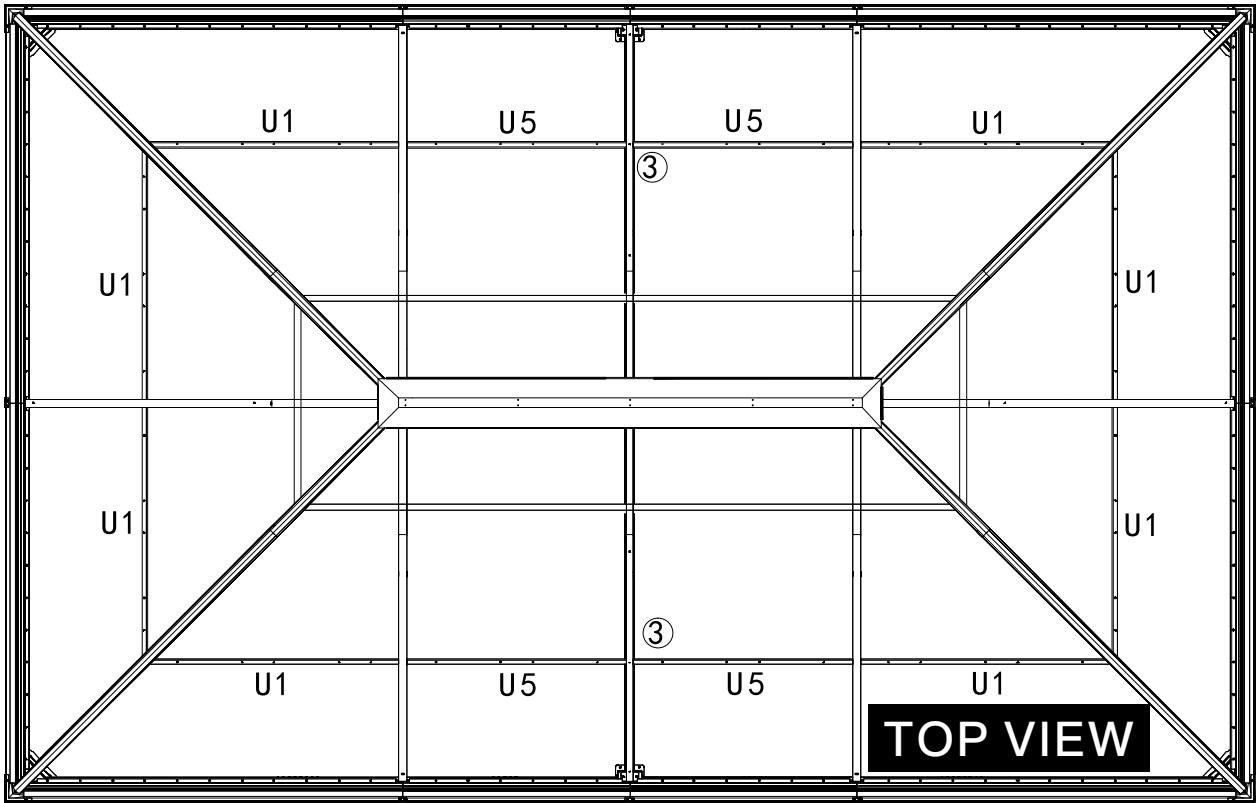
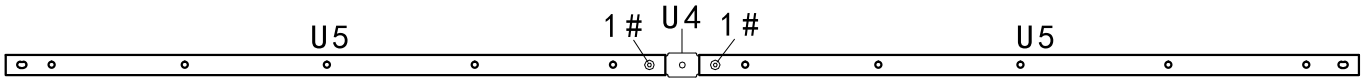
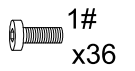
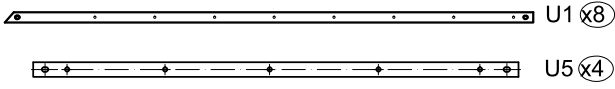
- (1) use 2 bolts and nuts #11 to secure the small mesh, plastic bar to finishing bar.
- (2) Use bolt #1 to secure the small mesh and finishing end #Q to the corner roof tube.
- (3) Repeat above procedures to assemble the other 3 sides.



SOLIDIFYING BARS AND HOOKS ASSEMBLY

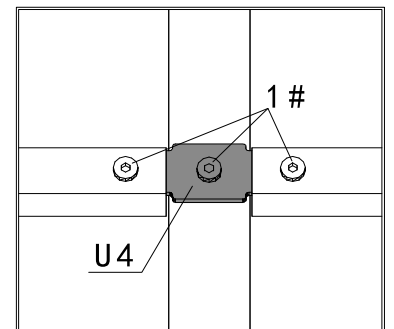
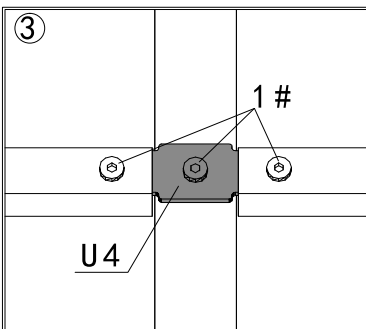
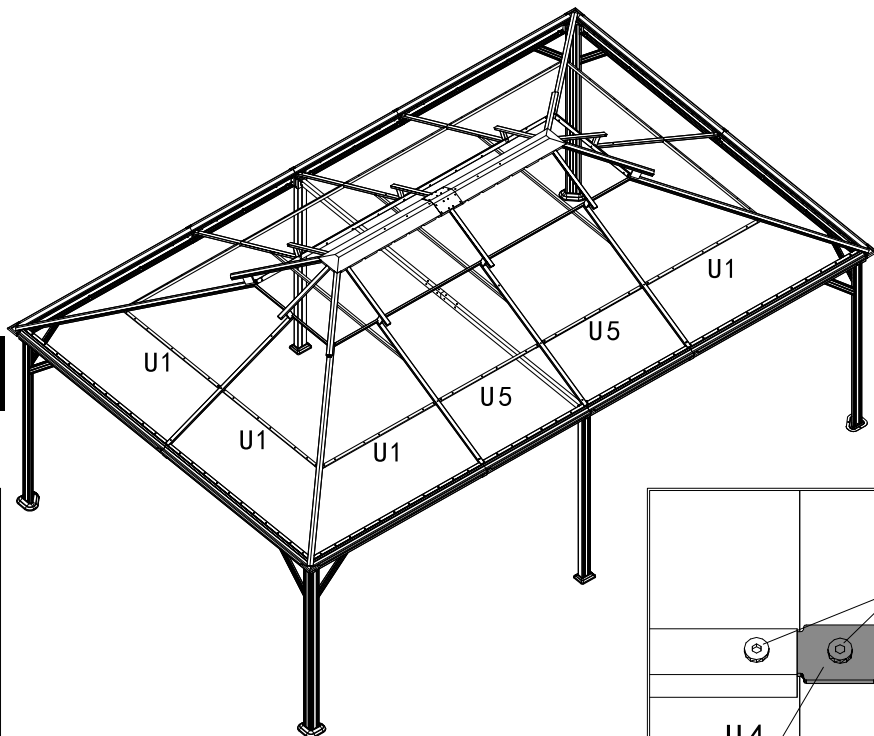
- (1) Attach 3 Part #07 to the frame and use 6 Screws 1# to fix.
- (2) Screw Hooks #R1 onto the Bar Part #07.

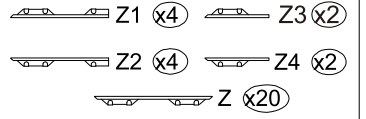
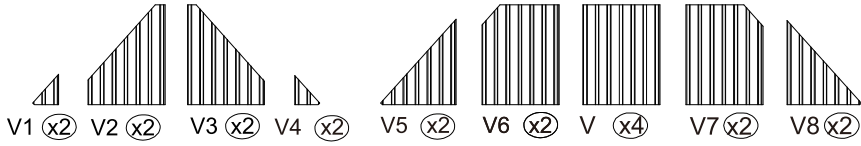




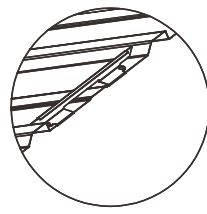
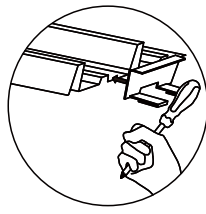
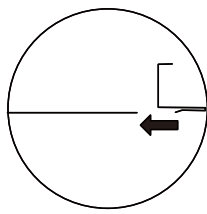
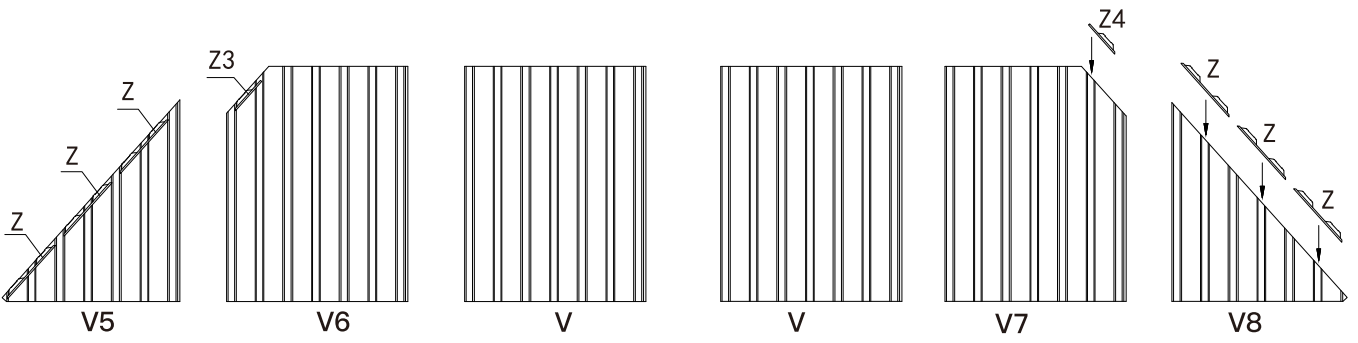
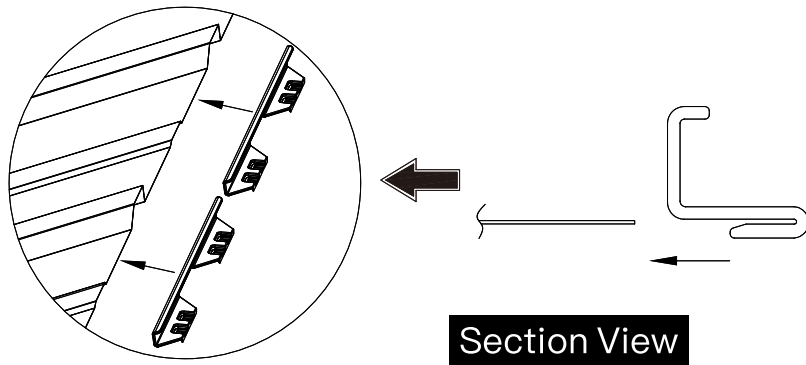
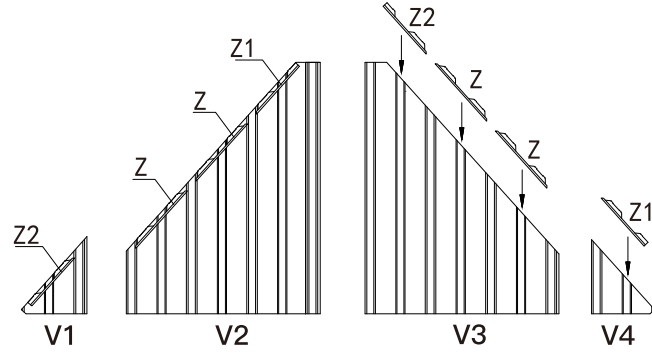
Note: If #U5 does not fit properly, the ends of the Solidifying Bar may be installed in reverse.

INSIDE VIEW

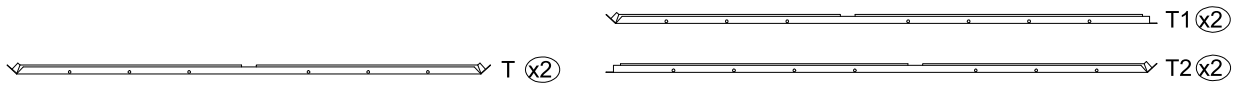




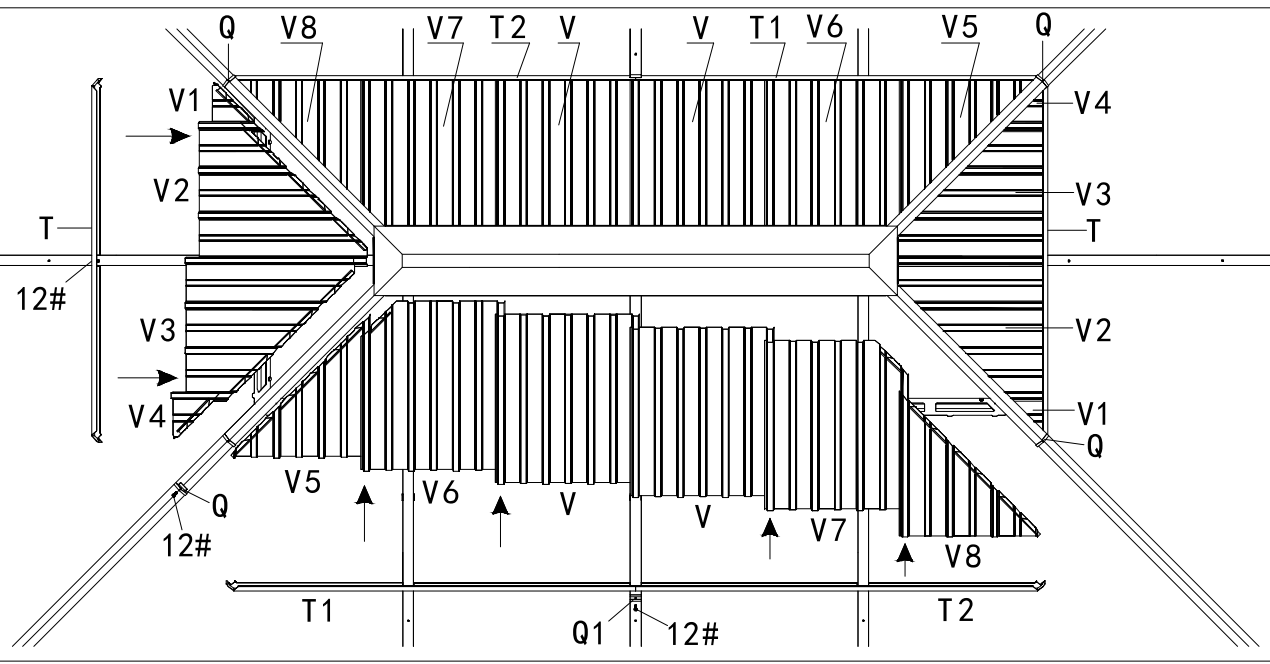
Remove the protective film of the panels before installing the roof panels.
Please install Plastic Clips in strict accordance with the instructions.



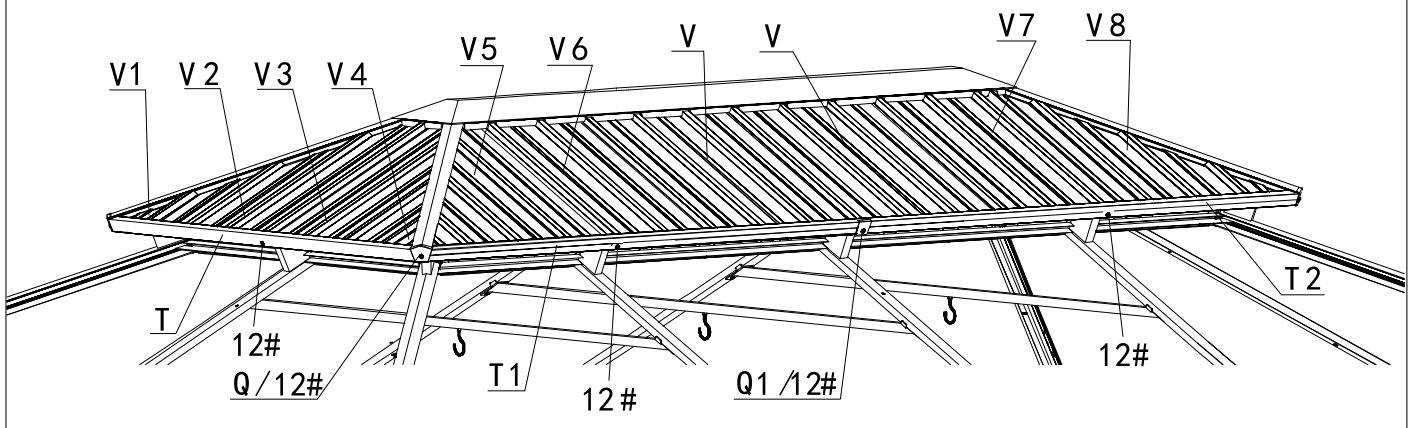
Attach Part #Z,#Z1,#Z2,#Z3& #Z4 by lightly tapping with screwdriver.

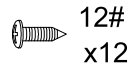
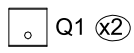
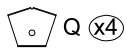


SMALL ROOF ASSEMBLY

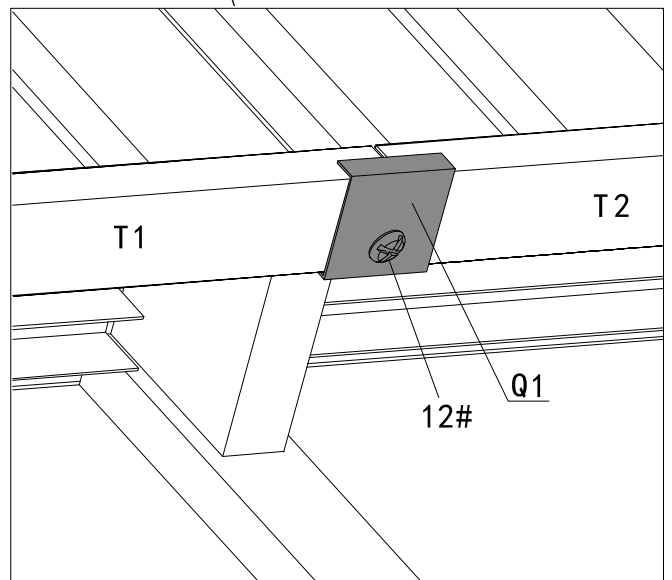
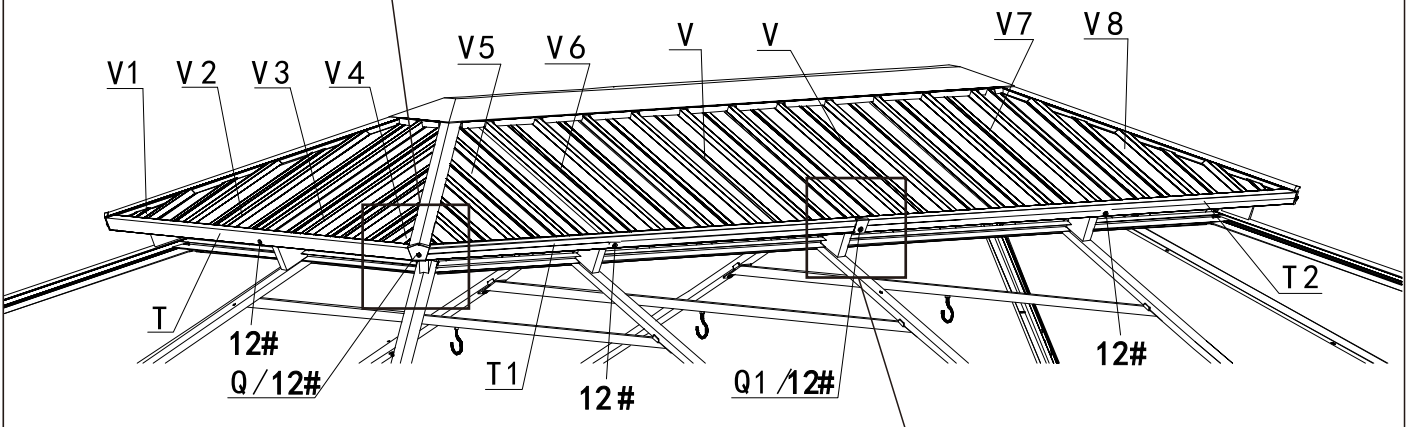
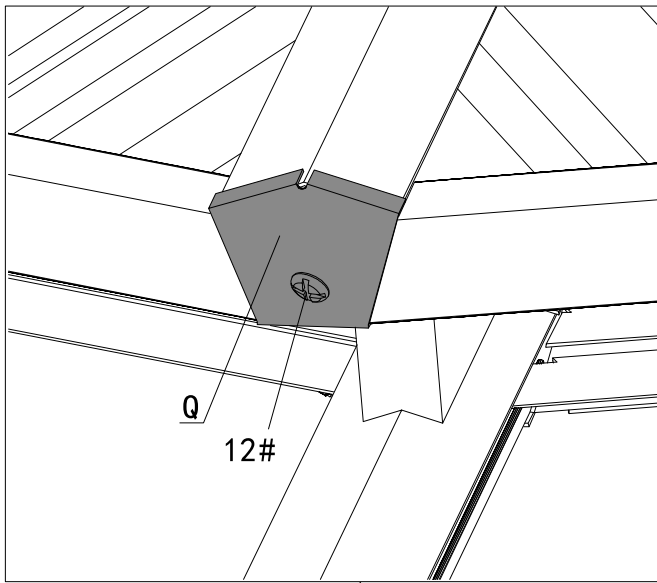


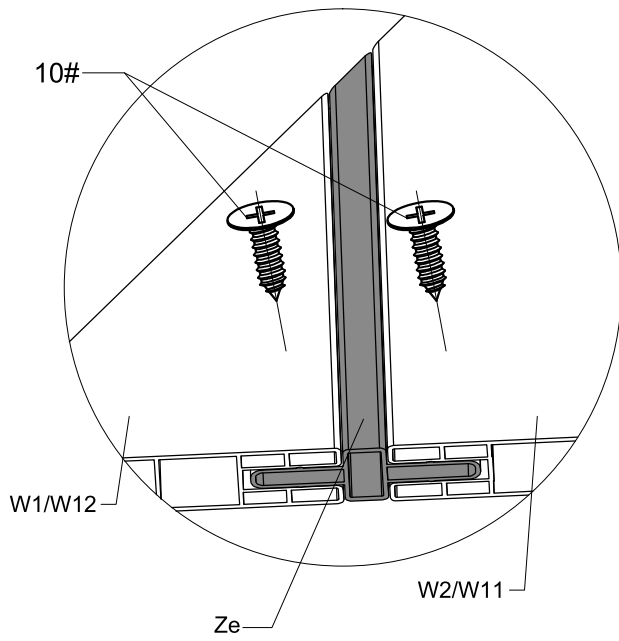
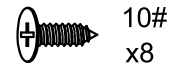
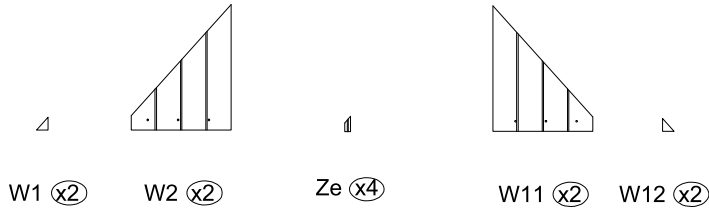
If you can't install #V, push the Outside Roof Cover up and try to insert them again.



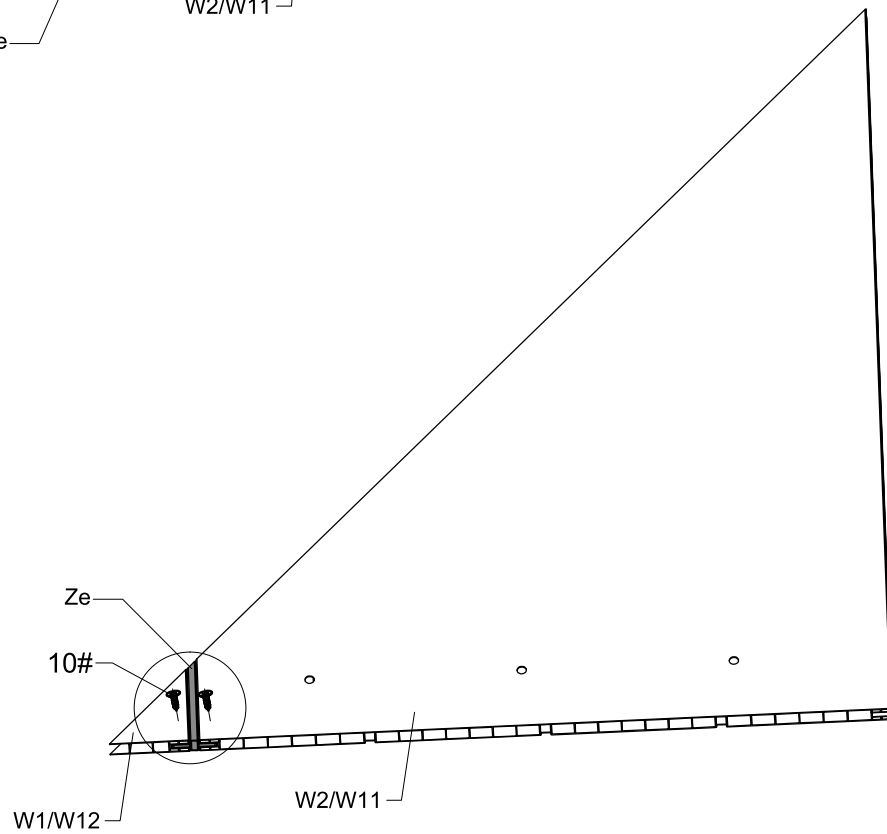


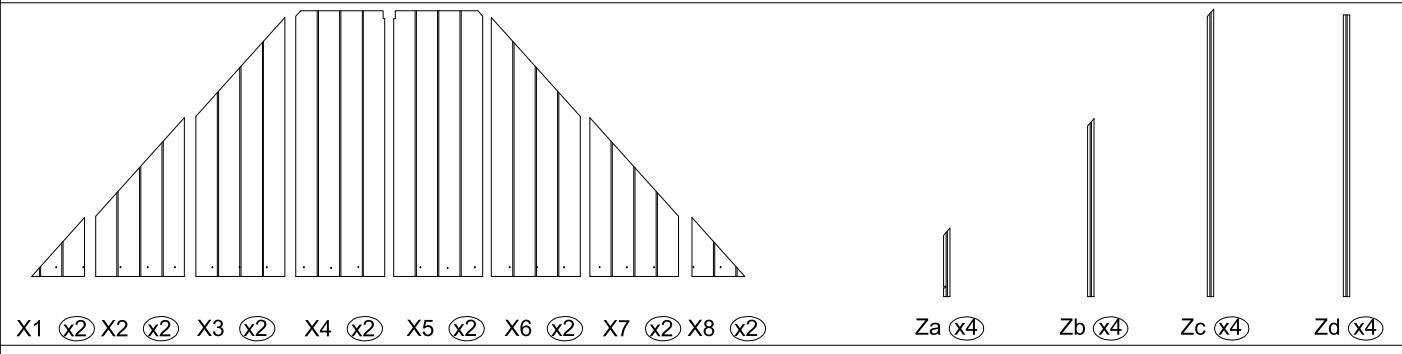
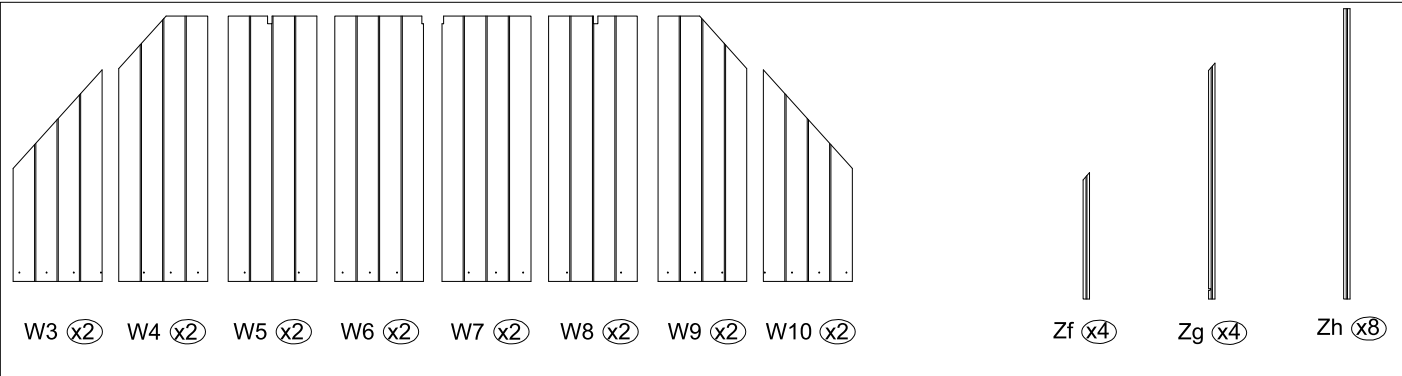
12#
x12



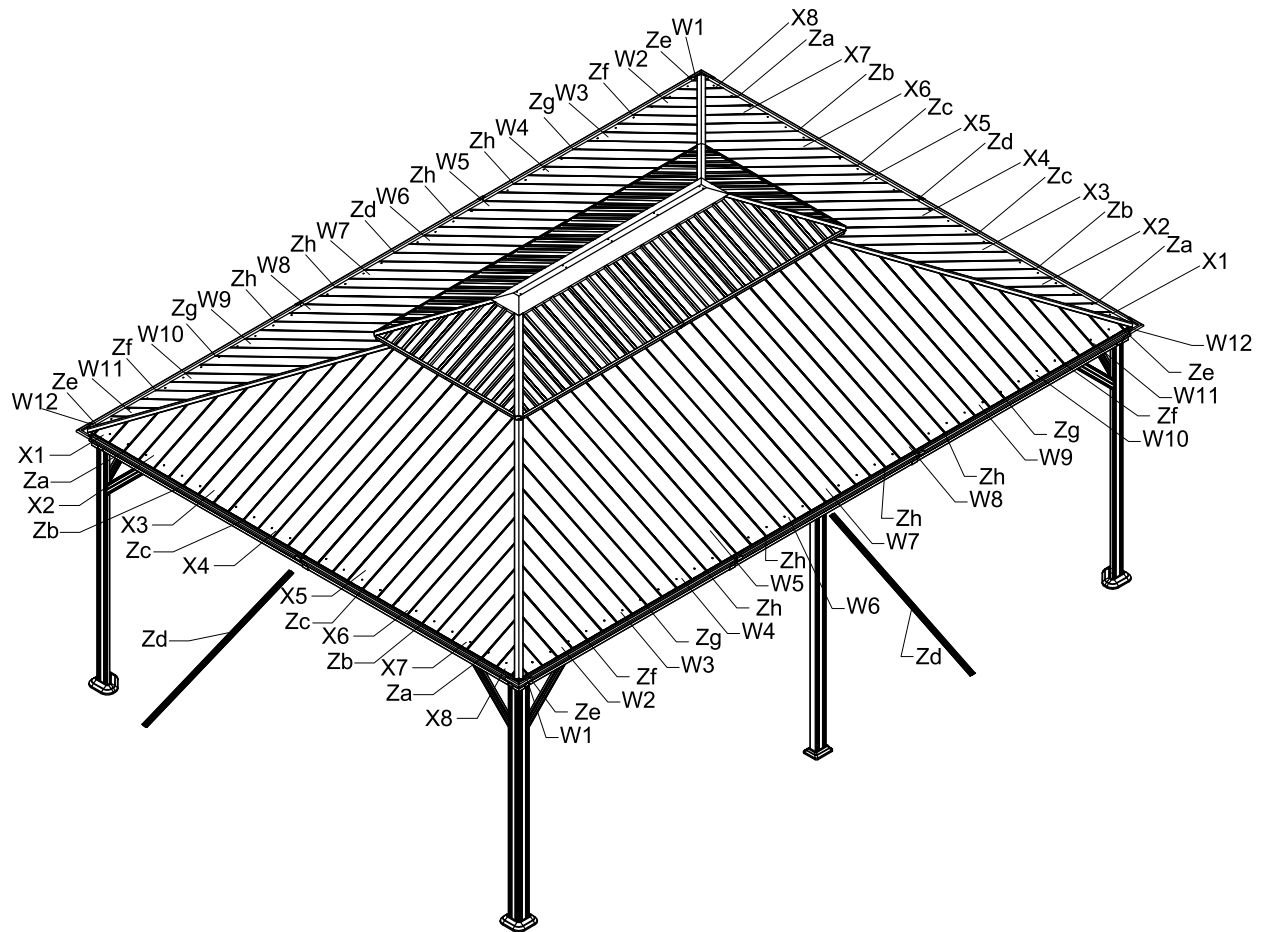


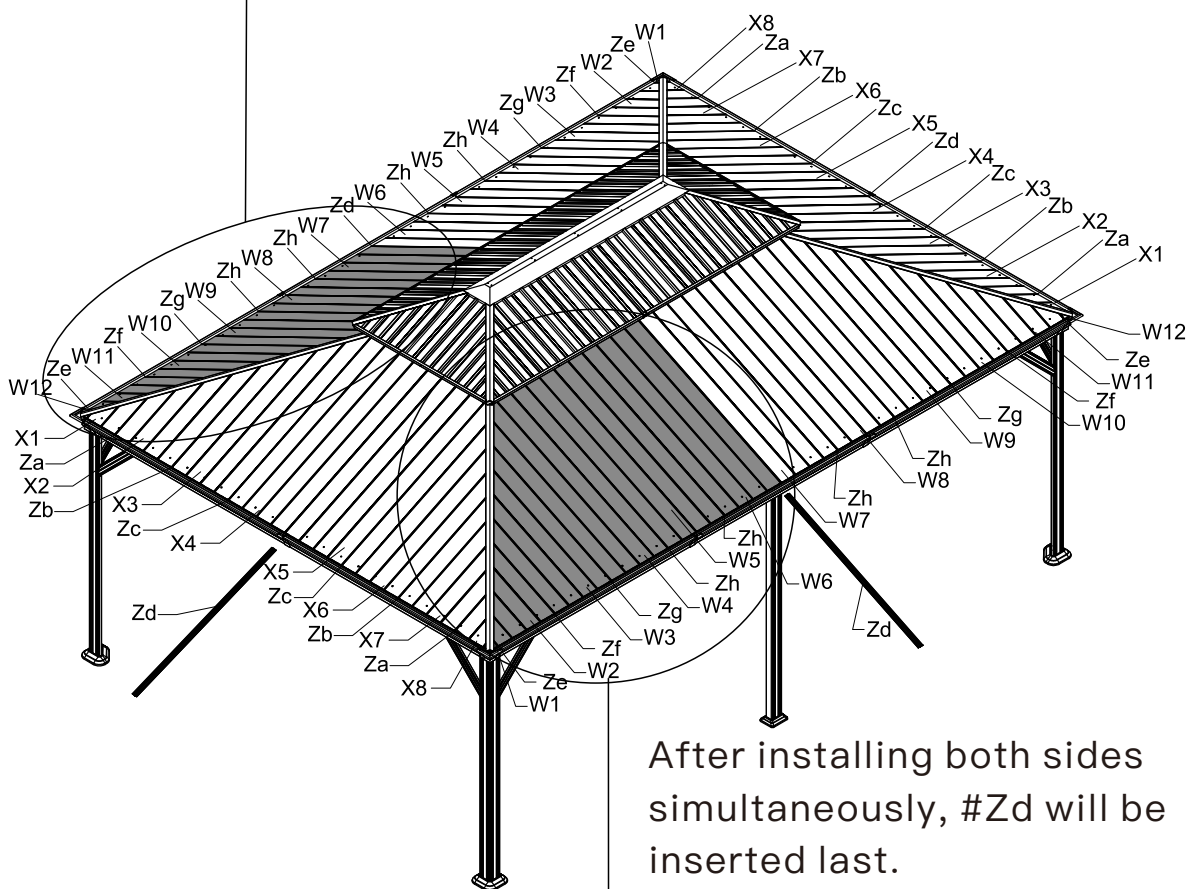
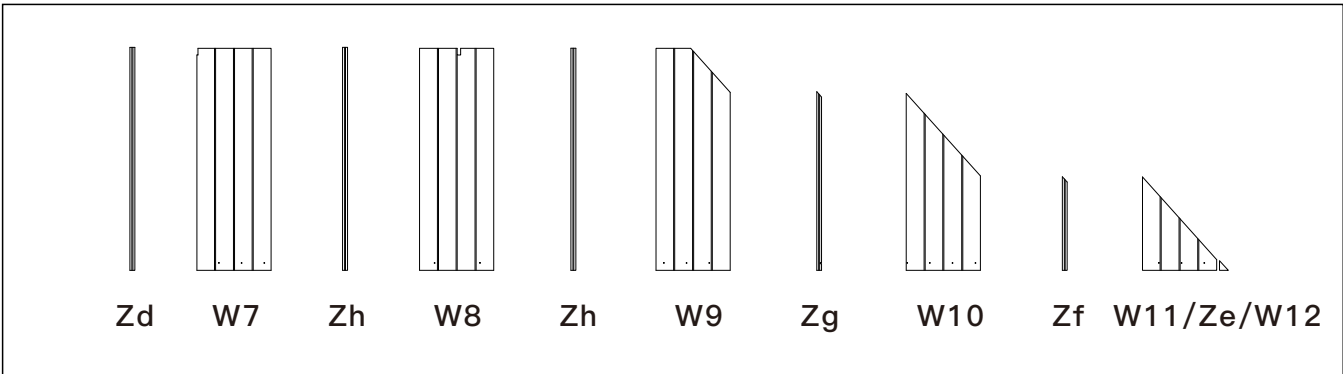
no strips inside



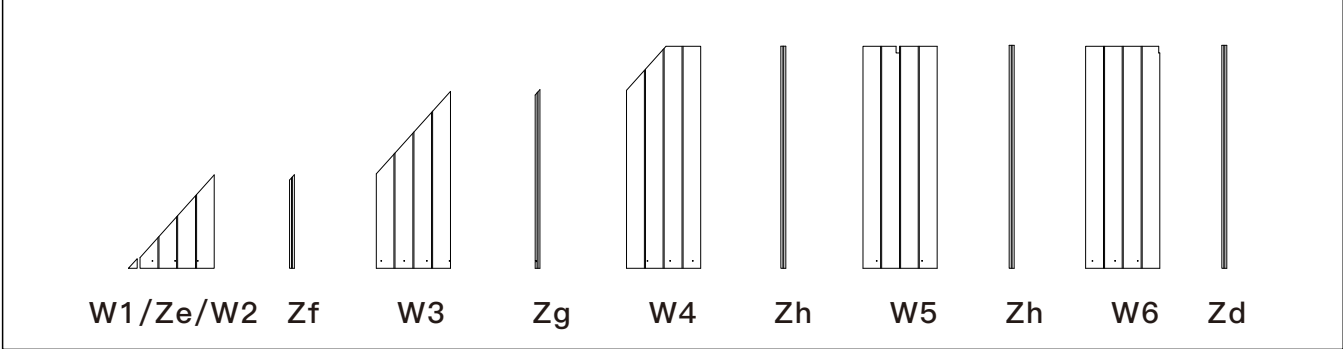


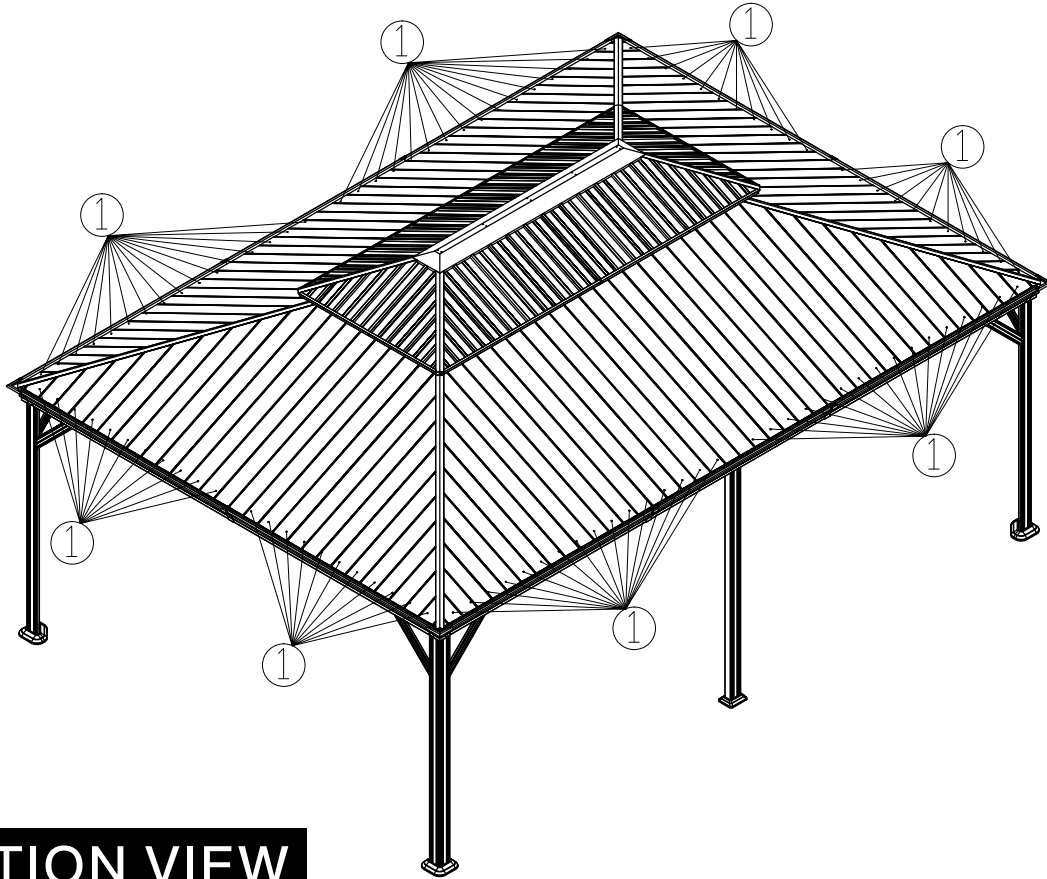
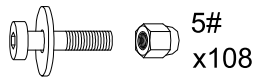
RESIN ROOF ASSEMBLY:



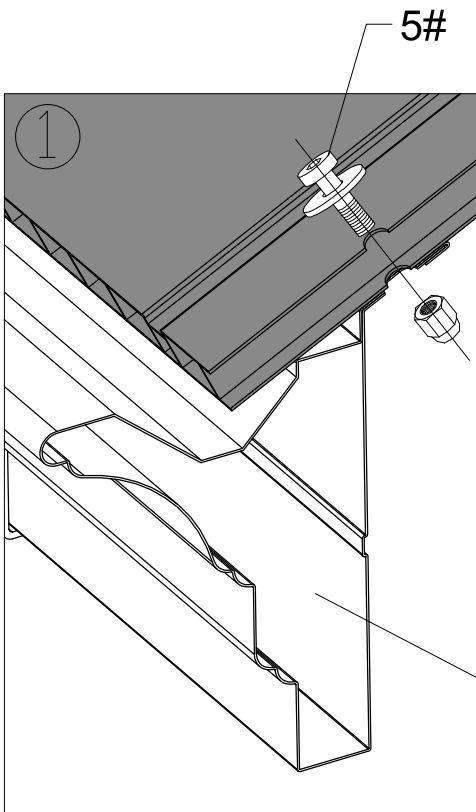


After installing both sides simultaneously, #Zd will be inserted last.
Repeat the above procedures to assemble the opposite side.



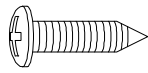


SECTION VIEW

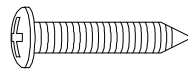


①: Use bolts #5 to secure the roof panel to the beam.

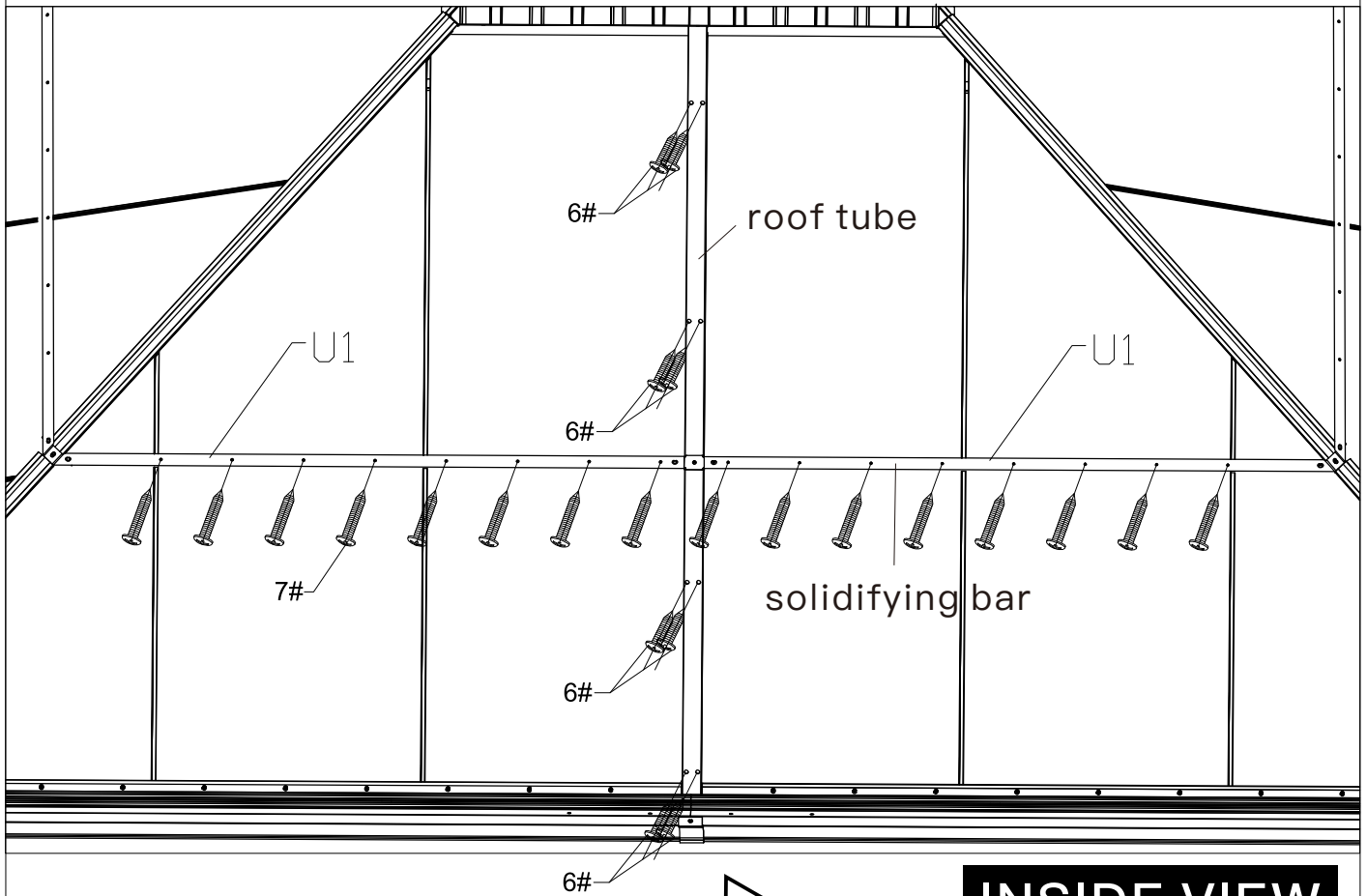
C1/C2/C3/C4/C5



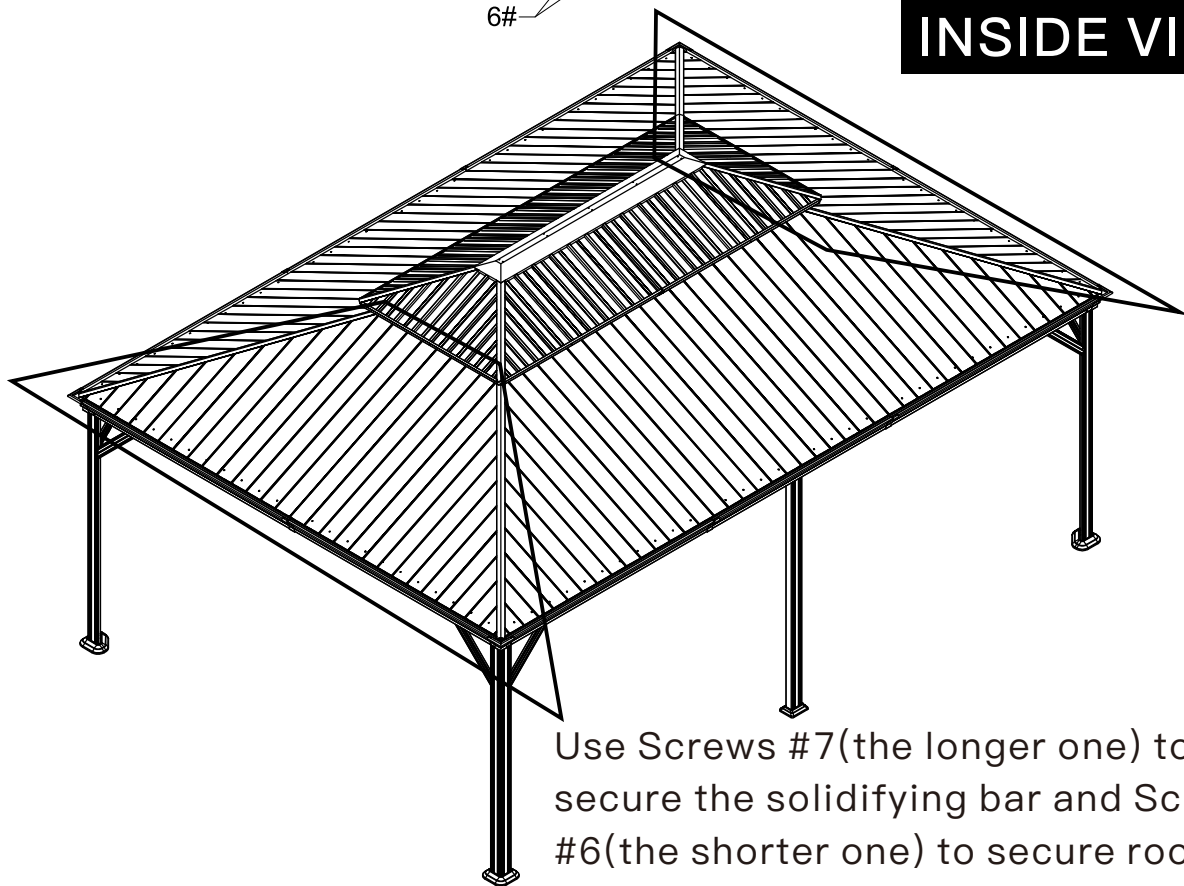
6# x16



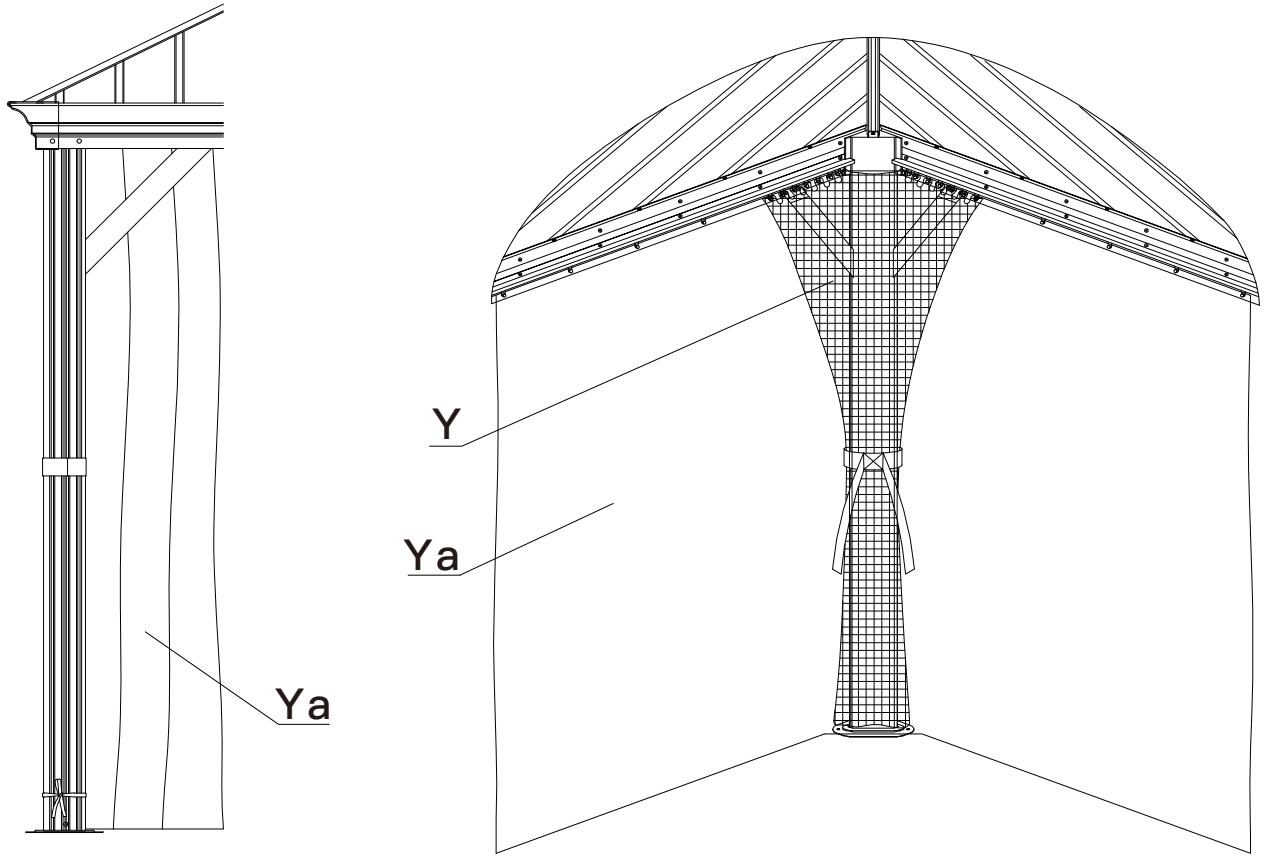
7# x32



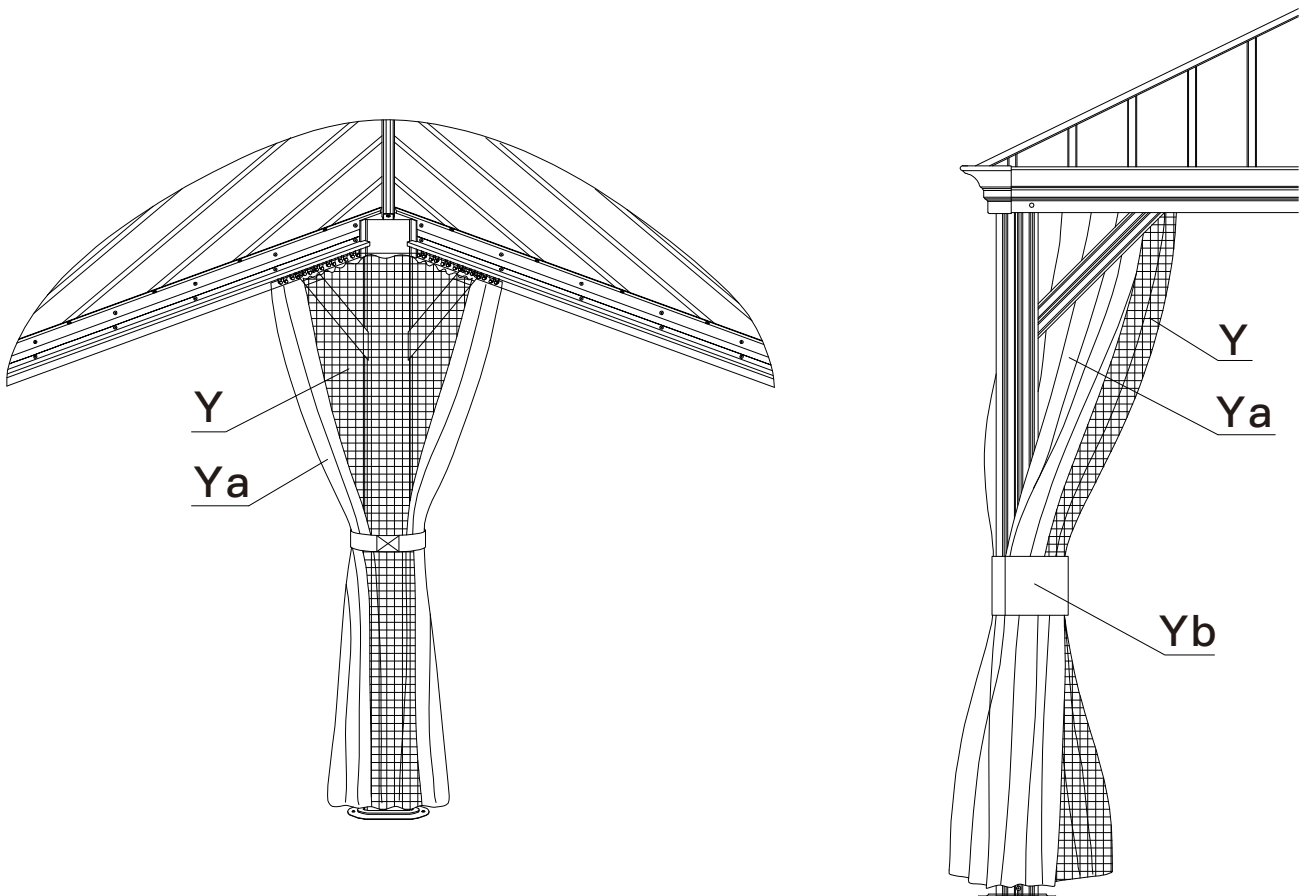
INSIDE VIEW



Use Screws #7 (the longer one) to secure the solidifying bar and Screws #6 (the shorter one) to secure roof tube to the roof panels.



Please open your gazebo curtain when it is incoming over 30 mph wind, and tie with Strap #Yb.





Thanks for your purchase.

At domi outdoor living, we believe in our products.

That's why we provide a 12-month warranty and friendly, easy-to-reach after-sales service. So, if you have any questions about our product or assembly, please feel free to contact us. We are here for you.

Support:  

After-sales contact email:

service@domioutdoorliving.com

Business cooperation contact email:

marketing@domioutdoorliving.com

Please have your order ID available if you reach out for support.

If you have damaged parts or product, please send us photos for an immediate response.