

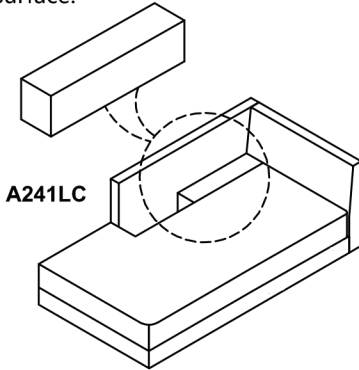
**ASSEMBLY INSTRUCTIONS**

ITEM NO: KJ-09241LC/KJ-09241RC

DESCRIPTION: LONDON LAF CHAISE / RAF CHAISE

Thank you for purchasing this quality product. Be sure to check all packing material carefully for small parts that may have come loose inside the packing during shipment.

**STEP 1** Please find the metal legs and hardware package in the seat, then carefully turn item on to its back onto a soft surface.

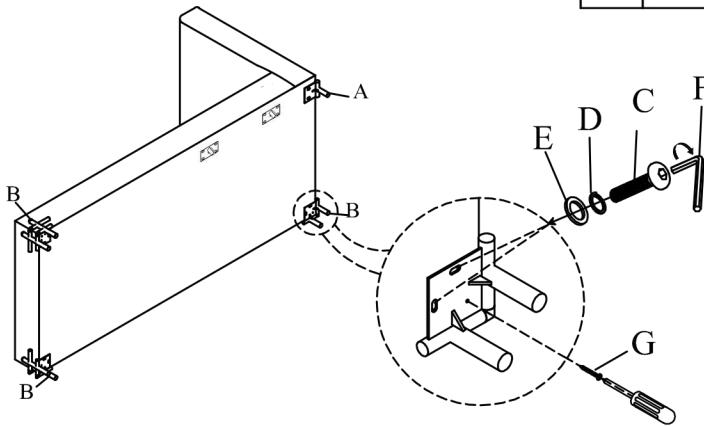
**TOOLS REQUIRED (NOT PROVIDED)**

Description	Sketch
Phillips Screwdriver	

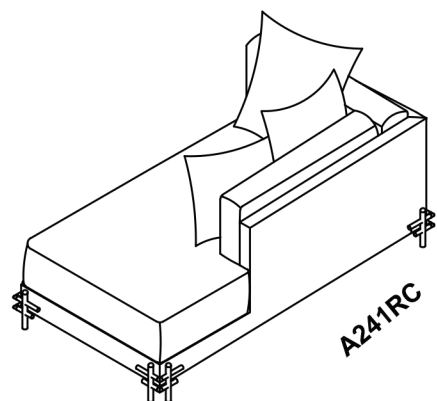
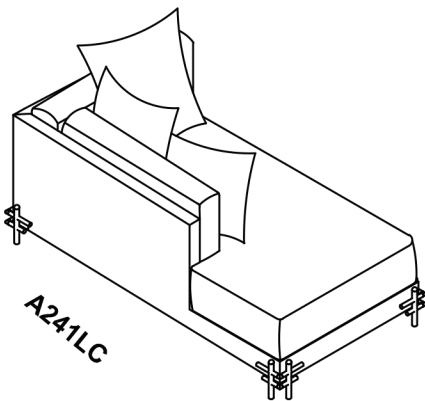
**PARTS LIST**

No.	Description	Sketch	Quantity
A	Metal leg A		1
B	Metal leg B		3
C	Bolt		8
D	Spring Washer		8
E	Flat Washer		8
F	Allen Key		1
G	Screw		4

**STEP 2** Assemble every metal leg (A) and metal Leg (B) tight with 2pcs flat washer (E) + 2pcs spring washer (D) + 2pcs bolt (C) by allen Key (F) and 1pc screw (G) by screwdriver as shown, not over tighten.



**STEP 3** Carefully upright your furniture and set in place by carrying and not pushing or dragging. Put all cushions and pillows on A241LC LAF CHAISE / A241RC RAF CHAISE carefully.



THE ASSEMBLY IS COMPLETED.