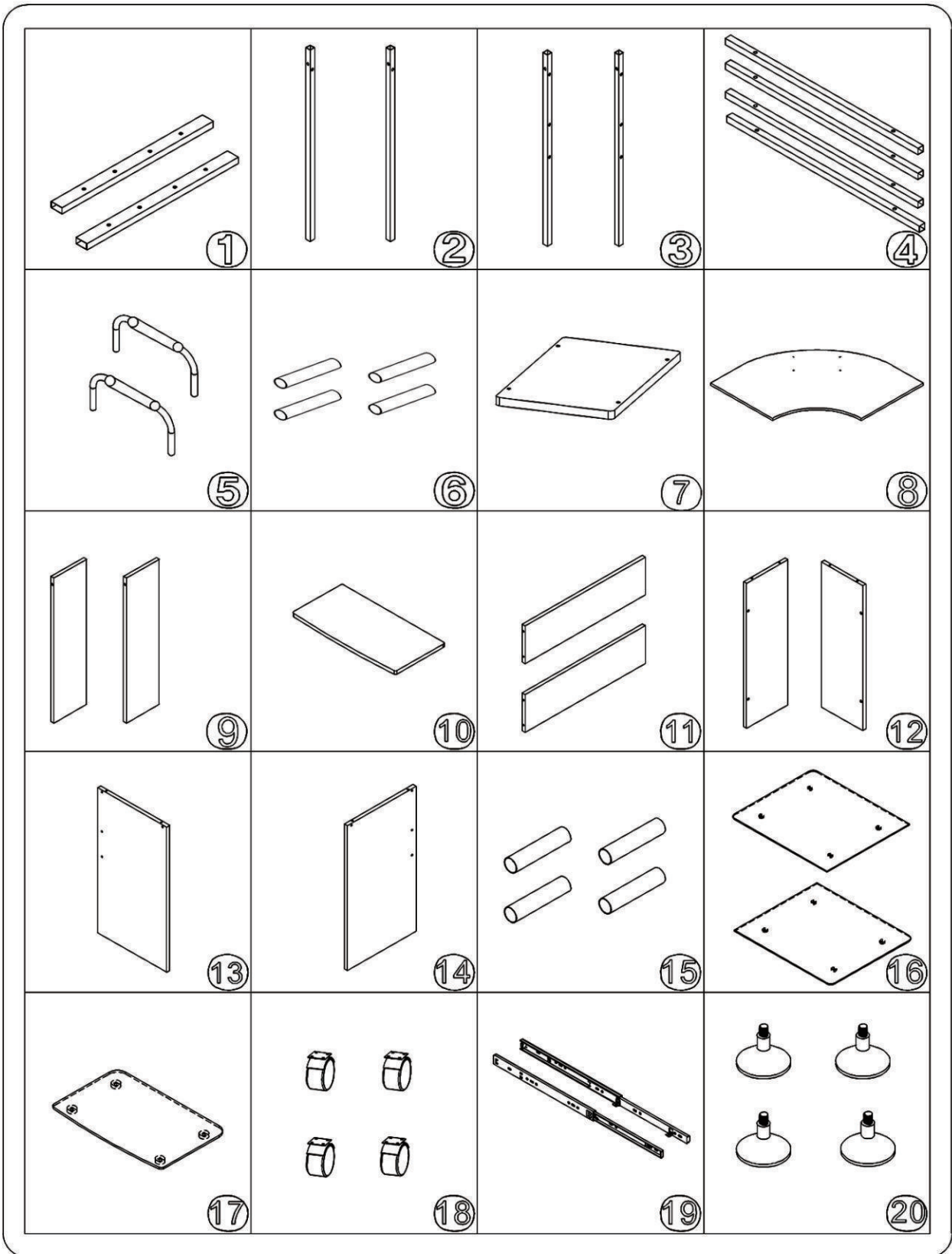












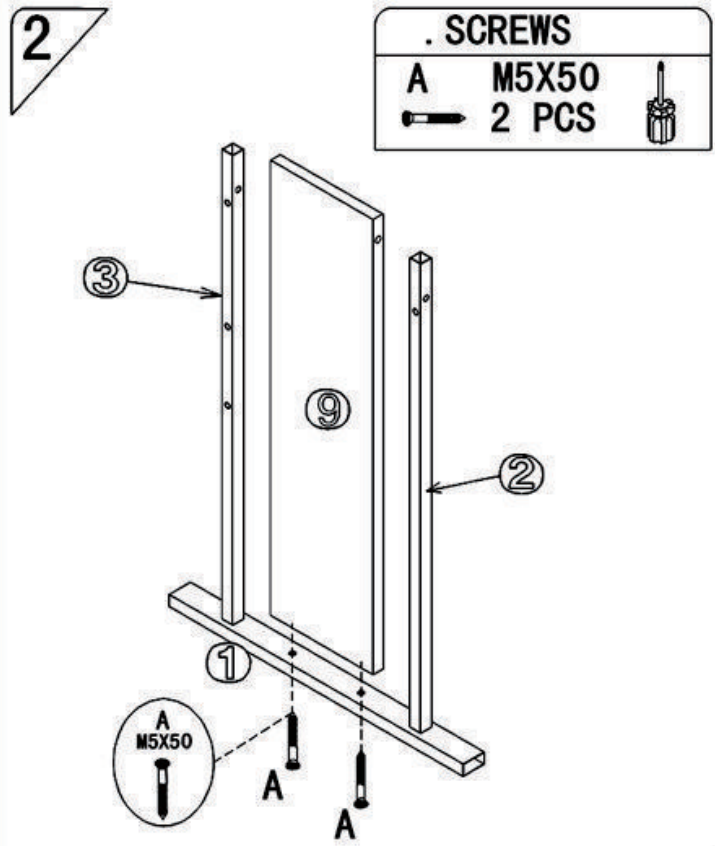
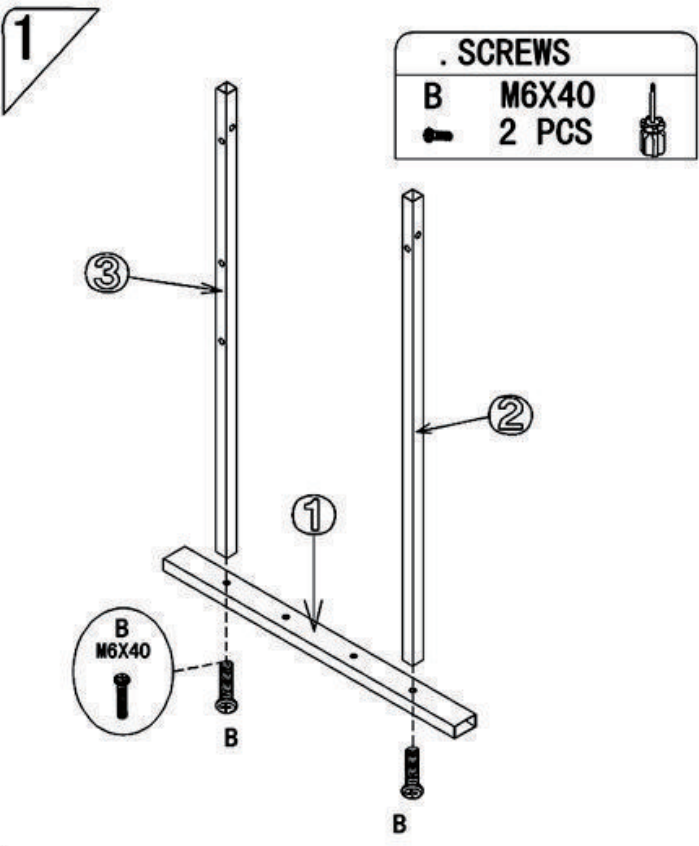
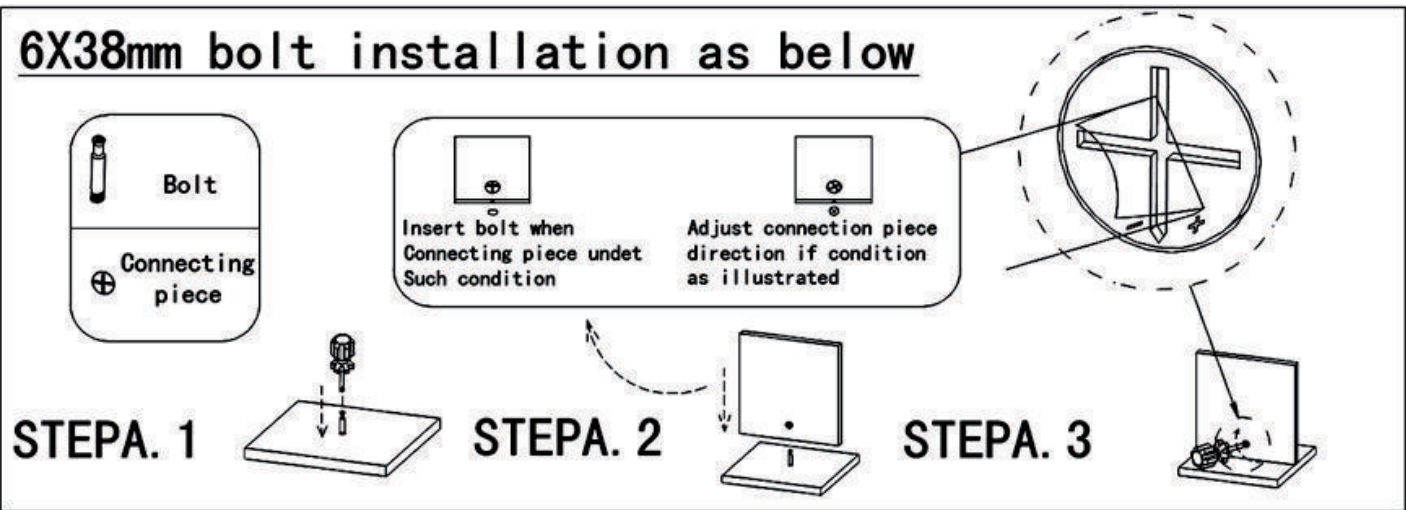
 NEED TWO PEOPLE INSTALL

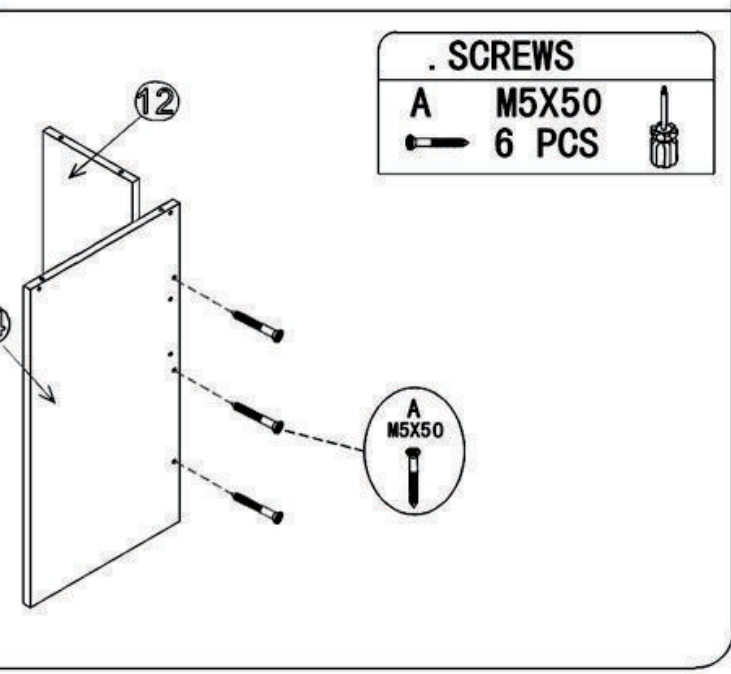
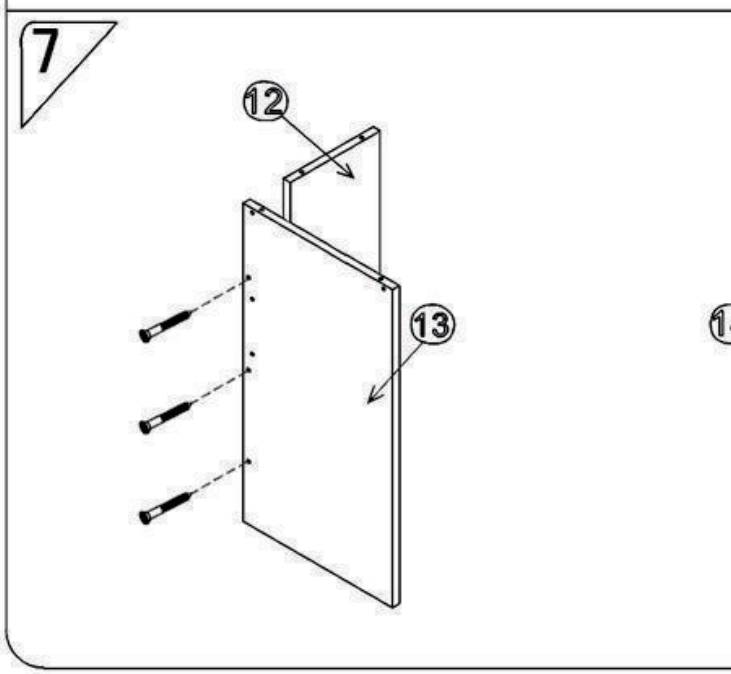
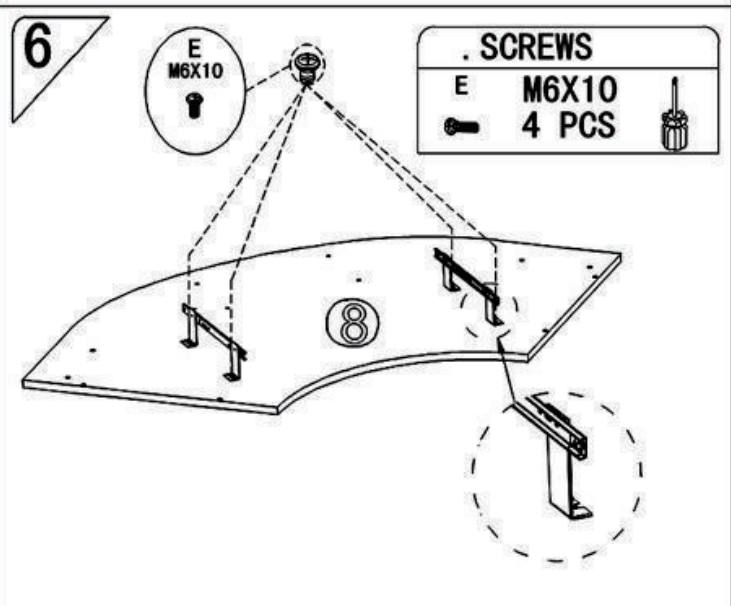
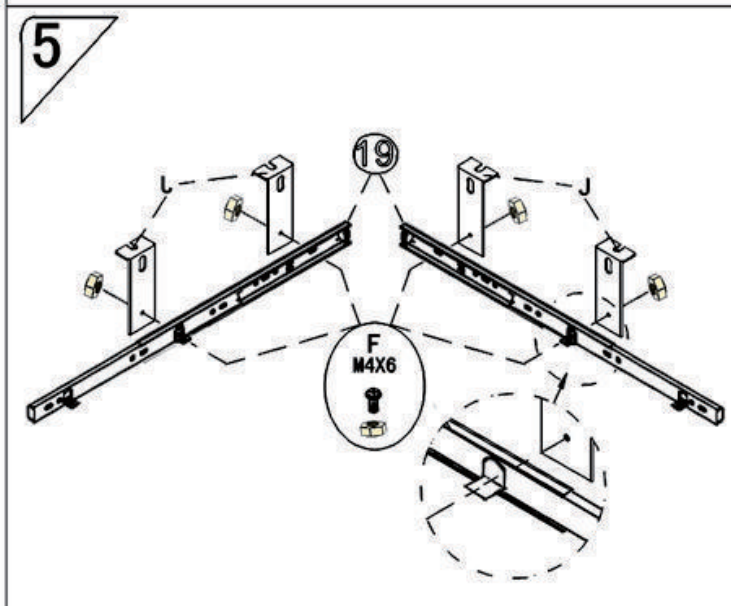
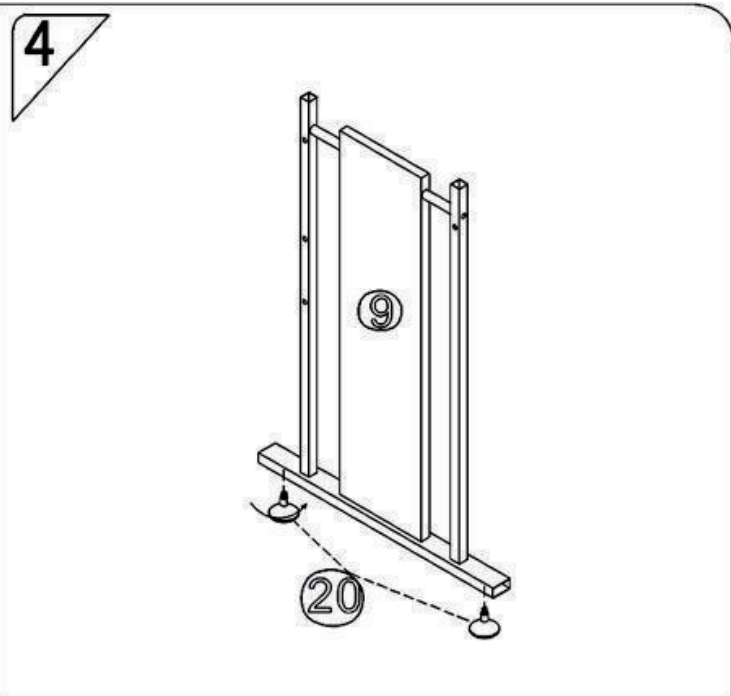
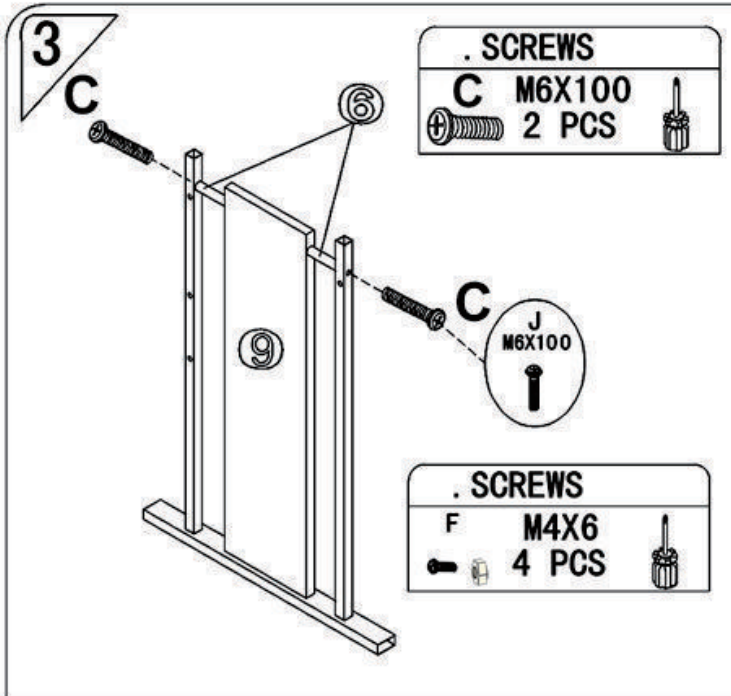
ASSEMBLY INSTRUCTIONS

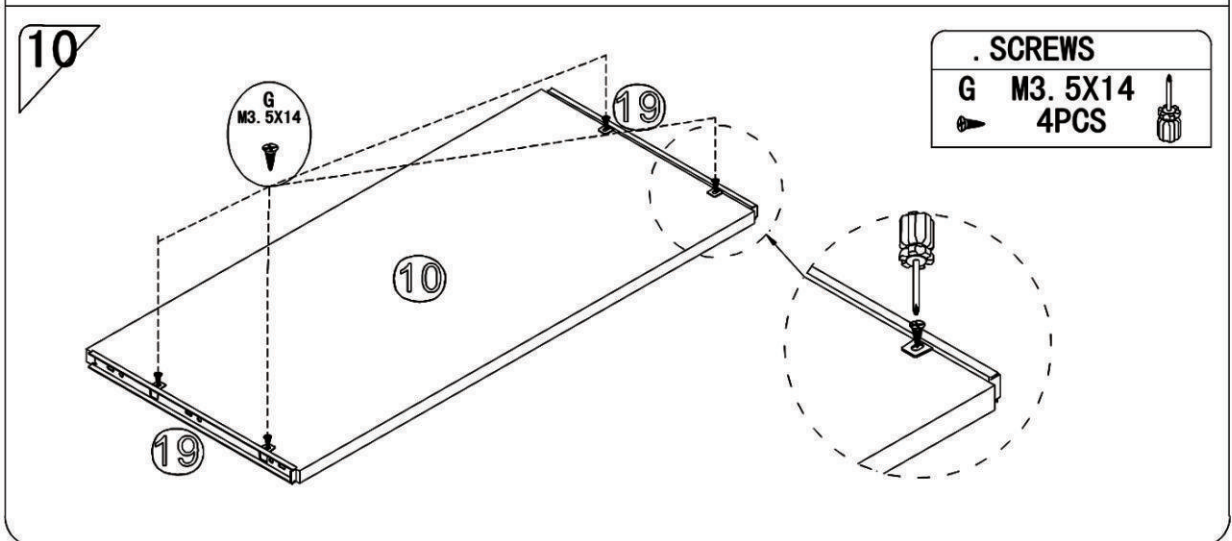
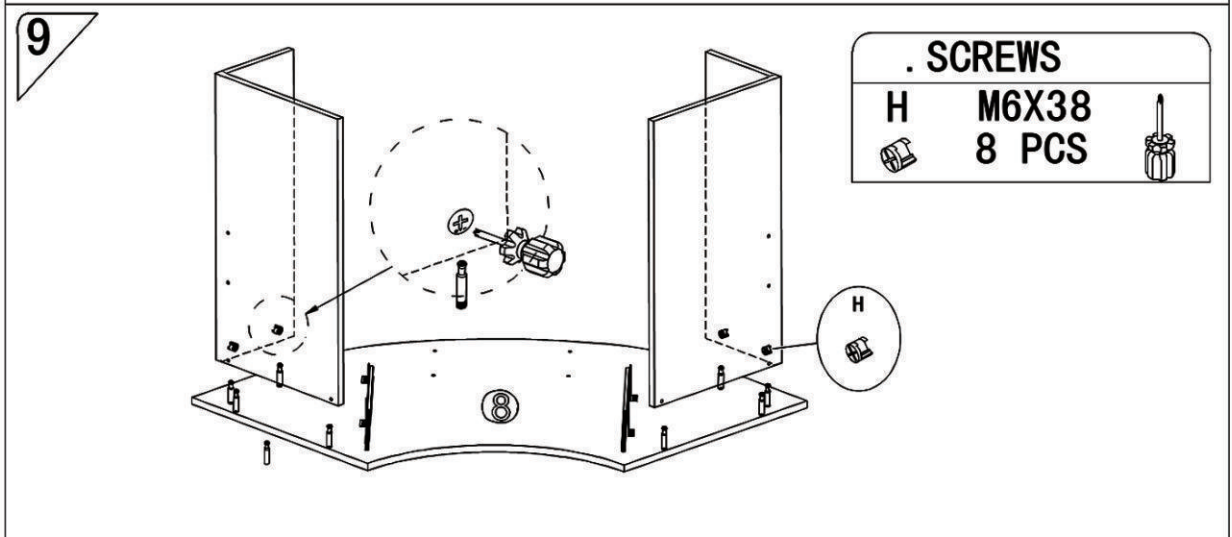
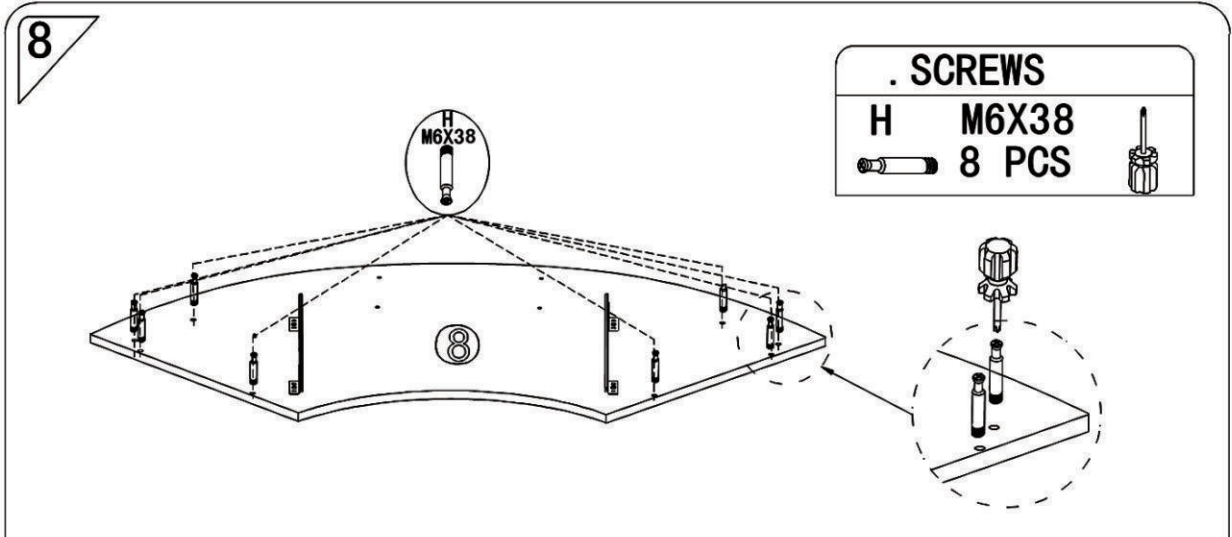


PART	QTY.	ITEM		PART	QTY.	ITEM	
A	18	M5X50		G	20	M3. 5X14	
B	12	M6X40		H	8	M6X38	
C	8	M6X100		I	4	φ16	
D	12	M6X25		J	4		
E	4	M6X10		K			
F	4	M4X6		L			

6X38mm bolt installation as below

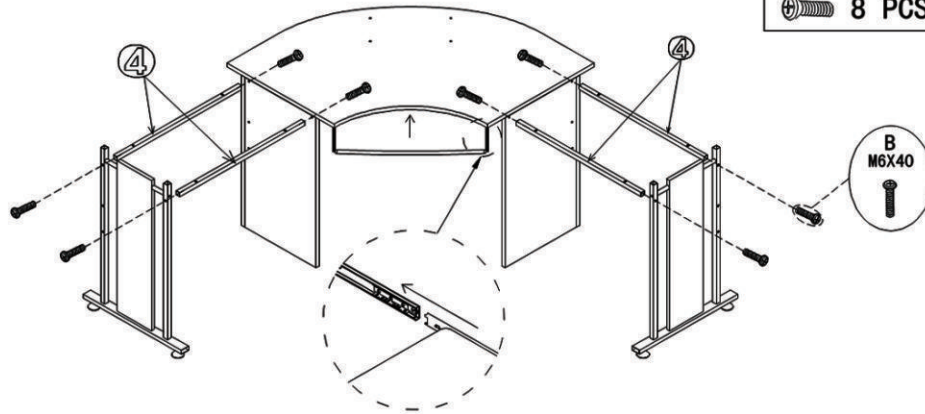






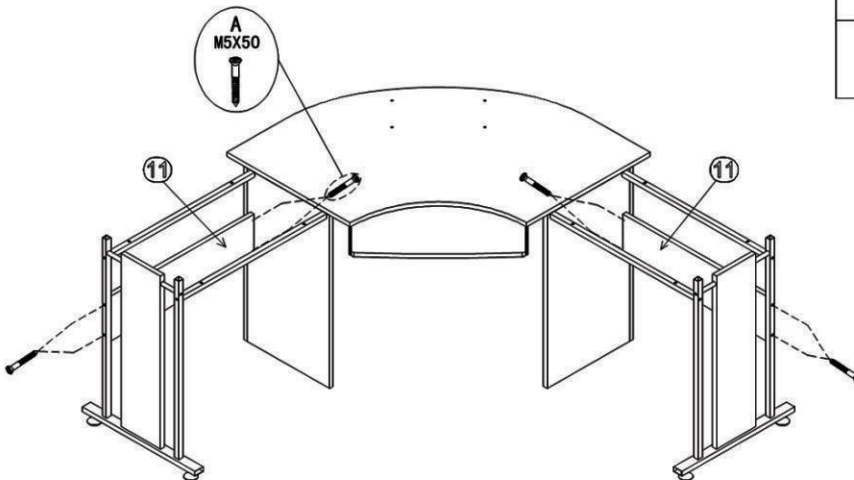
11

. SCREWS
B M6X40
8 PCS



12

. SCREWS
A M5X50
8 PCS



13

. SCREWS
D M6X25
8 PCS

