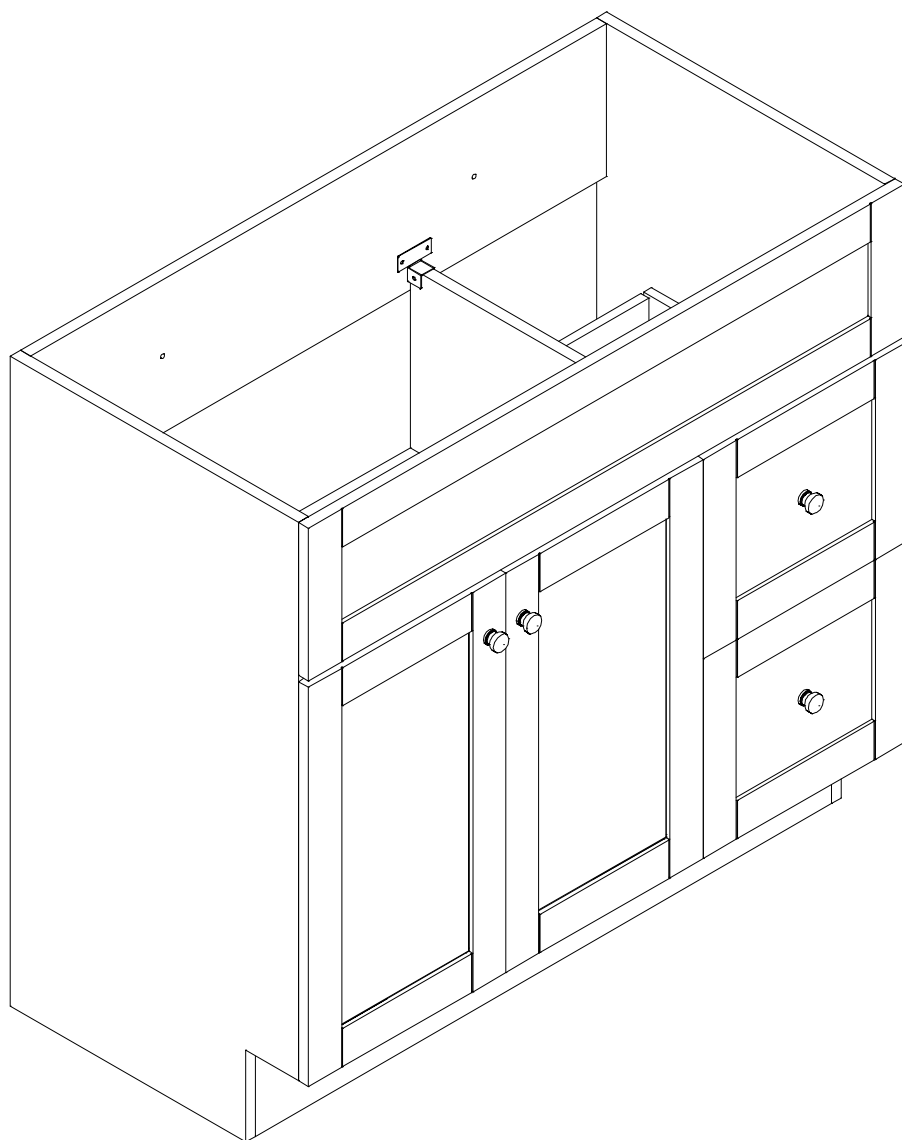


ASSEMBLY INSTRUCTION



IMPORTANT NOTICE

Workspace Safety

Keep the workspace clear of clutter and ensure it's well-lit. A clean, flat surface is essential.

Read Instructions

Read the entire assembly guide before starting. Skipping steps can compromise safety.

Use Proper Tools

Use the tools provided or recommended. Avoid overtightening screws.

Secure Furniture

Anchor tall or heavy furniture to the wall to prevent tipping. This is crucial in homes with children or pets.

Handle Small Parts

Keep small parts away from children and pets to avoid choking hazards.

Get Help

Don't hesitate to ask for help with heavy or complex pieces.

Inspect Regularly

Periodically check for loose screws or wobbly parts and tighten as needed.

Follow these tips for a safe assembly process.

CARE AND CLEANING

Many cleaners contain abrasive and chemical substance which is not suitable for cleaning stainless steel, enamel, plating or plastic products. You may use mild cleansers or soaps to clean the surfaces. Wipe any splashes of cleaner solutions from the surface with a clean soft cloth.

Maintain ventilation in the bathroom and separate the dry area from the damp one if conditions permit. Try to open the door and windows of the bathroom to maintain adequate ventilation.

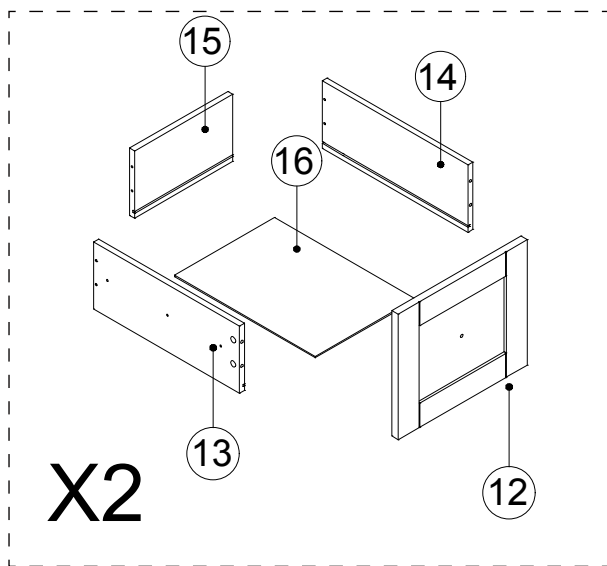
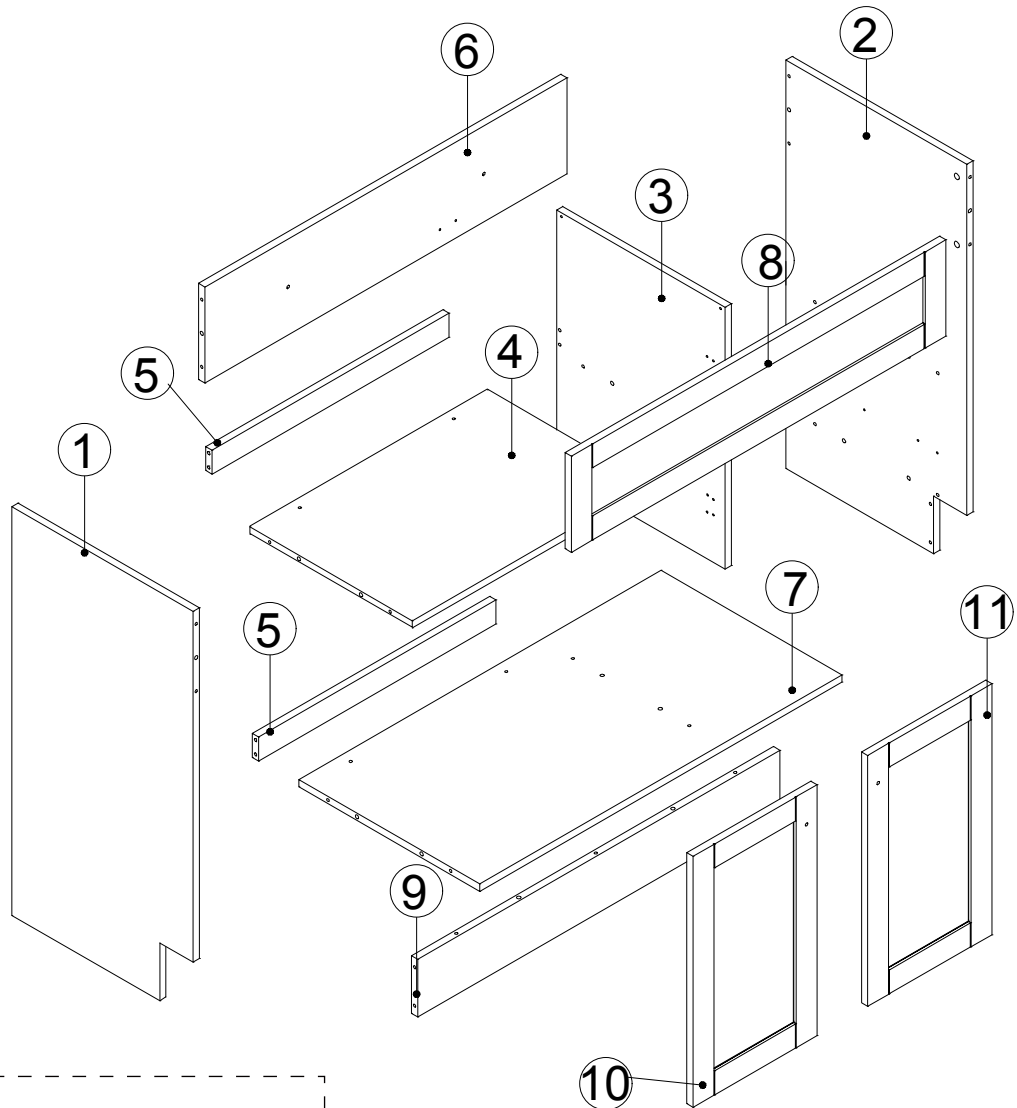
This cabinet is built to withstand normal bathroom humidity. For best results, keep this vanity dry and take necessary steps to minimize bathroom humidity by opening windows and doors and using the exhaust fan (if available).

To maintain the cabinet door, clean and wipe the door regularly with a soft cloth. Wipe condensation with a dry, soft cloth. Keep away from high temperatures.

Please do not sit, lean or step on the basin cabinet.

ASSEMBLY DIAGRAM

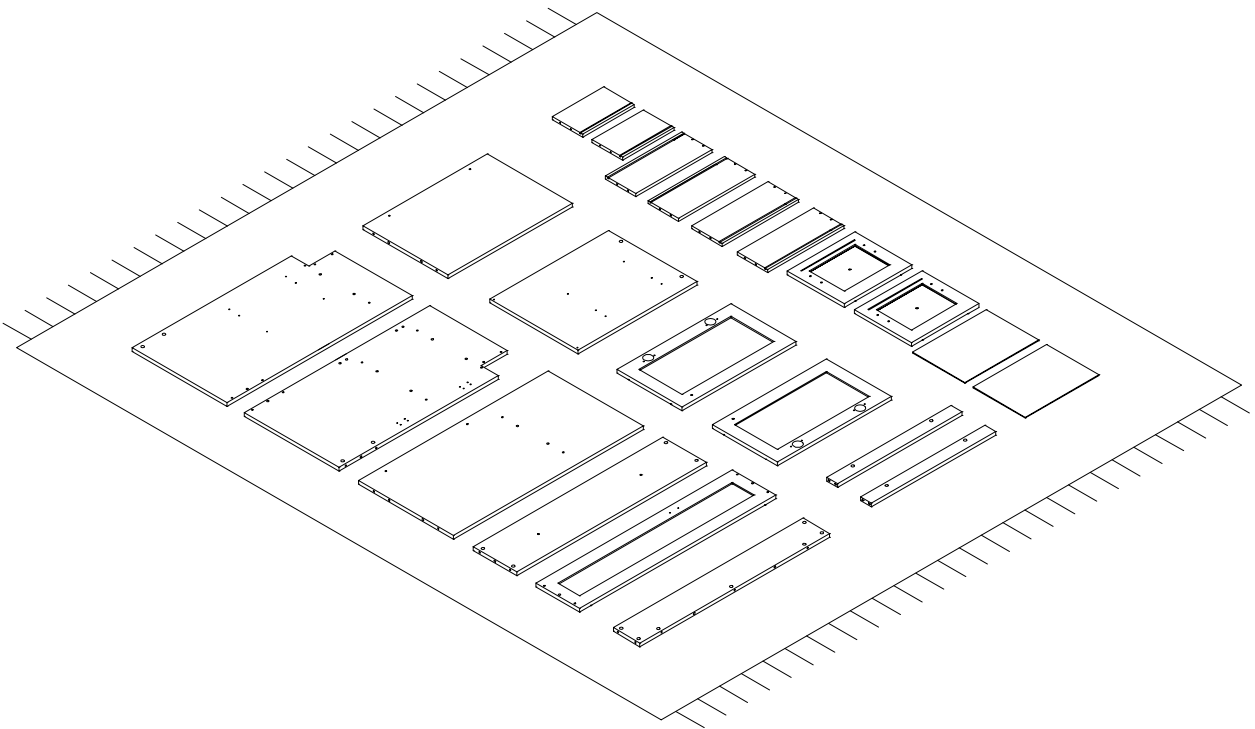
1. Refer to the exploded view below for the approximate location of each component.
2. Each part is labeled for easy identification.
3. Follow the assembly instructions carefully to ensure proper installation.



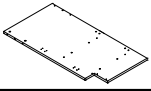
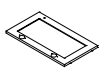
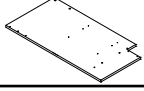

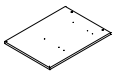
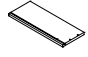
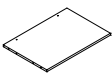
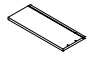

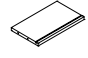
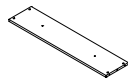
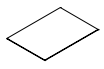
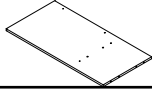
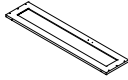

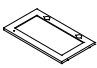


PRE-ASSEMBLY PREPARATION

Before assembly, place all furniture parts on a soft surface, such as a blanket or the original packaging cardboard, to prevent damage to the floor or components from accidental drops and to avoid scratching the surfaces.

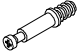



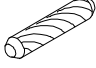
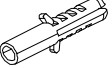
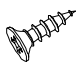
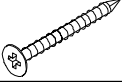




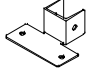


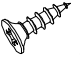


PARTS LIST

No.	Description	QTY	No.	Description	QTY
1		1	11		1
2		1	12		2
3		1	13		2
4		1	14		2
5		2	15		2
6		1	16		2
7		1			
8		1			
9		1			
10		1			

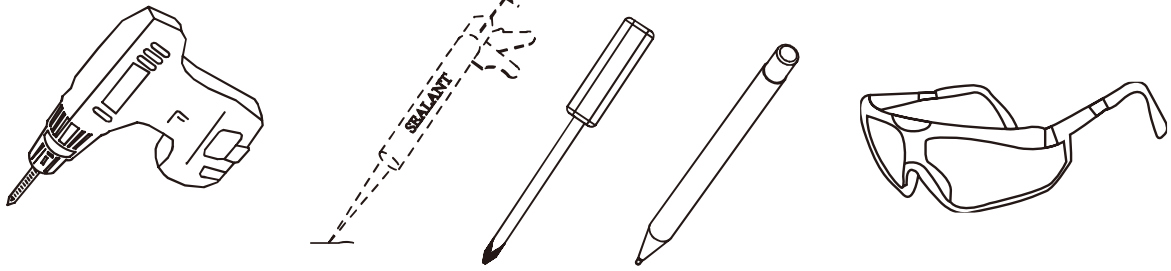
CAUTION: Please confirm the parts list before installtion

HARDWEAR LIST


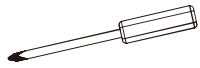
No.	Description	QTY	No.	Description	QTY
A		37	I		4
B		37	J	 ST4*20mm	2
C		24	K		2
D	 BLACK ST3.5*12mm	24	L	 ST4*40mm	2
E	 ST4*30mm	8	M		4
F	 WHITE ST3.5*10mm	8	N		2
G		2	O	 ST4*10mm	2
H		4	P	 BLACK ST4*12mm	24

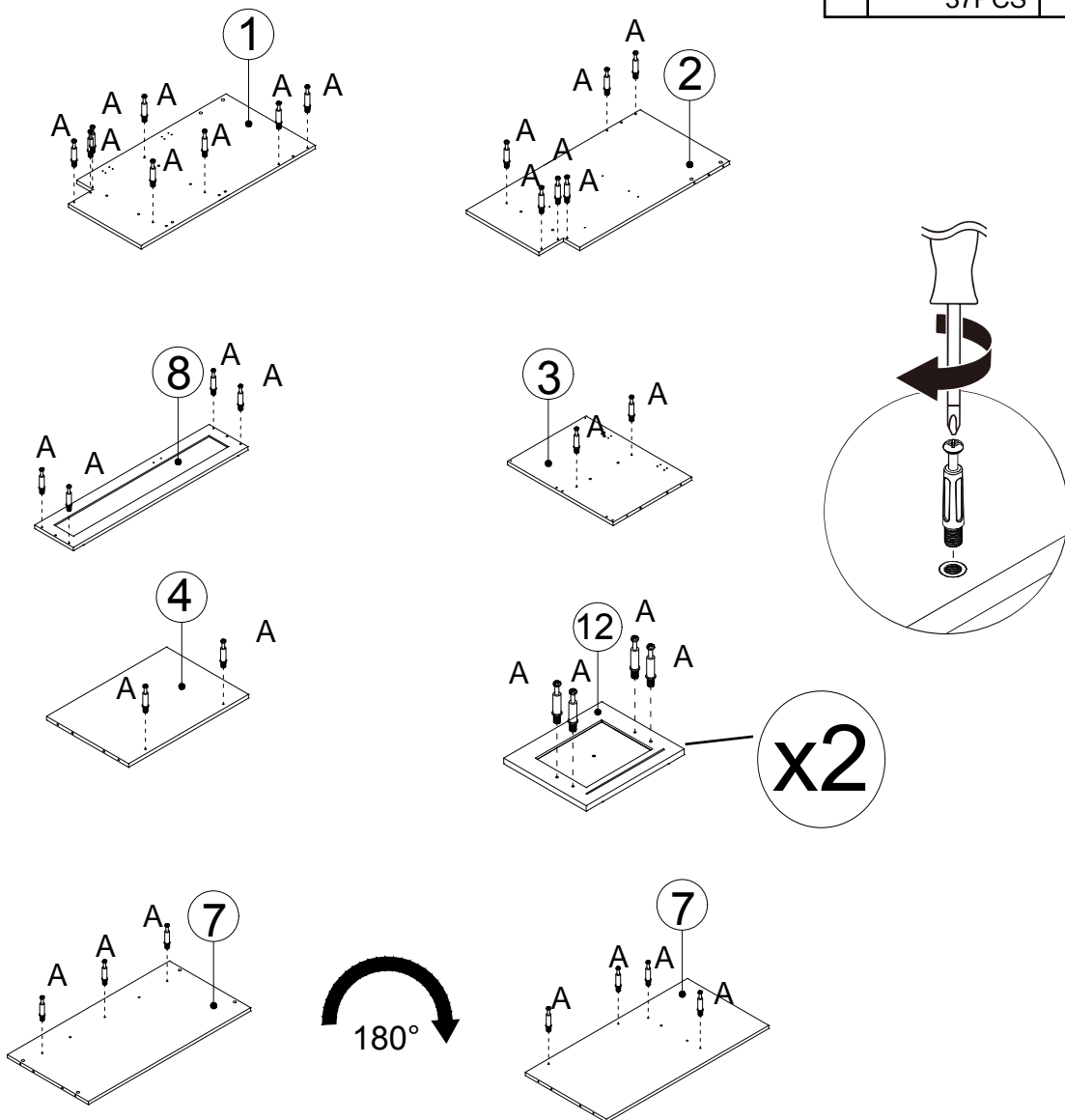
CAUTION: Please confirm the parts list before installtion

YOU MAY NEED (NOT SUPPLIED)



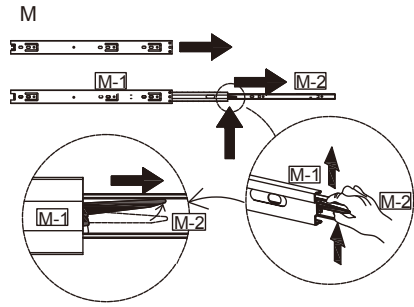
1

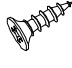
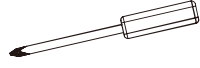

A	 37PCS	
---	--	---

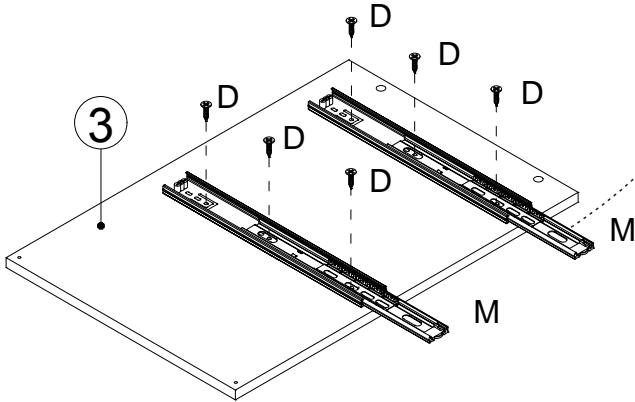
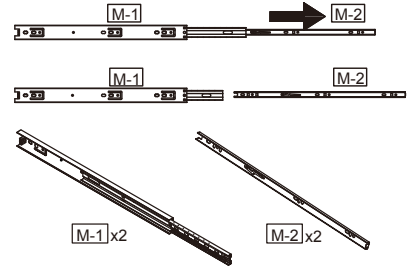
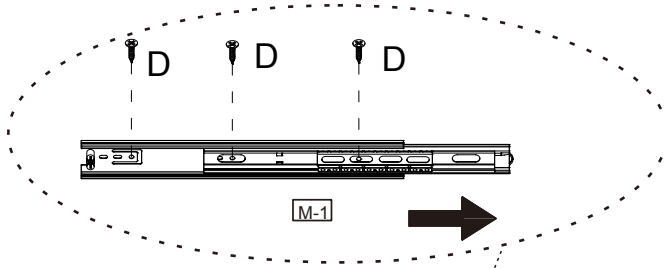


● Insert the Cam Screw into the shelves above.

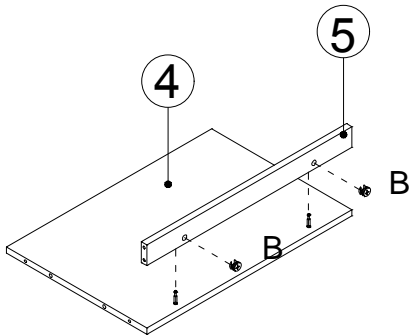
2


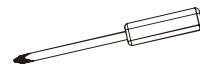
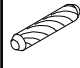


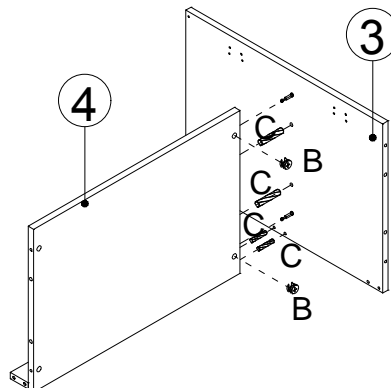
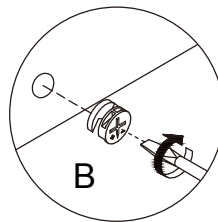
D	 6PCS	
M	 2PCS	



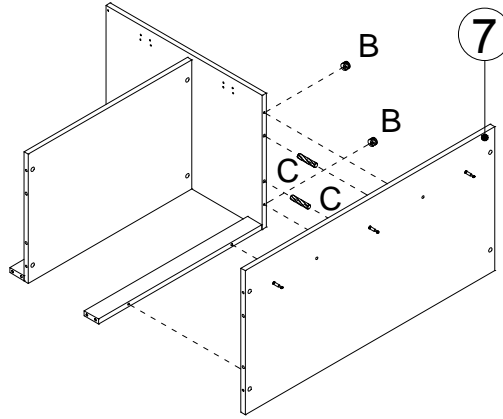
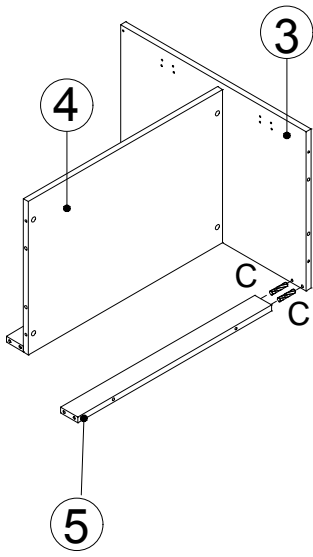
3


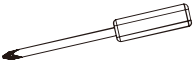



B	 4PCS	
C	 4PCS	

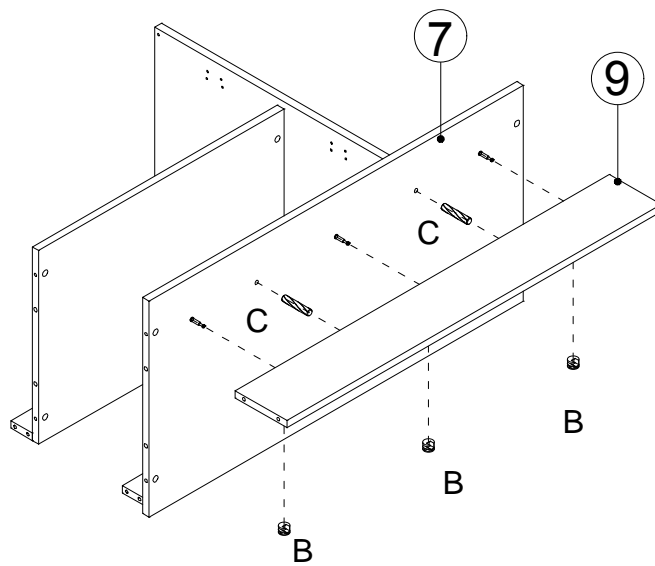



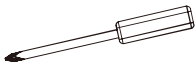

4




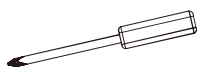
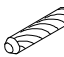
B	 2PCS	
C	 4PCS	

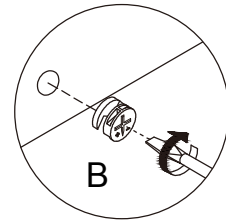
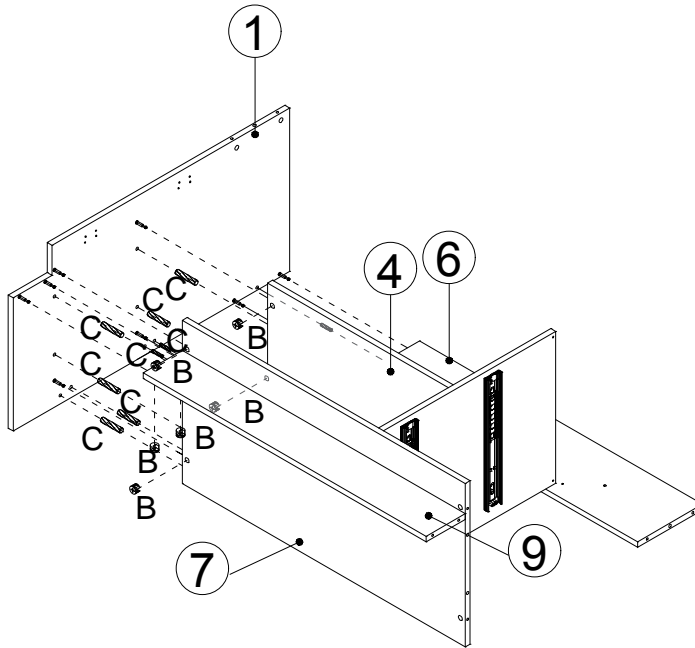
5



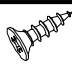
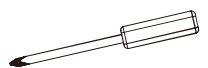

B	 3PCS	
C	 2PCS	

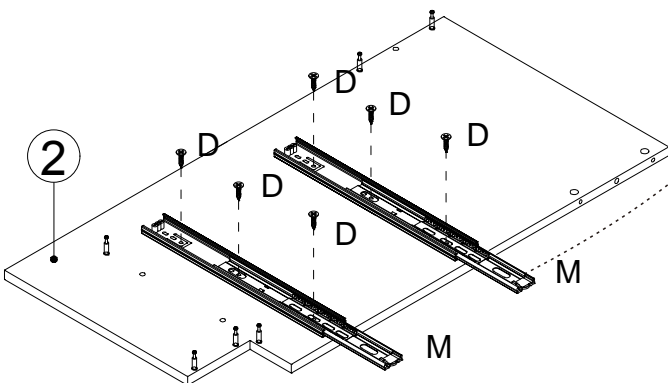
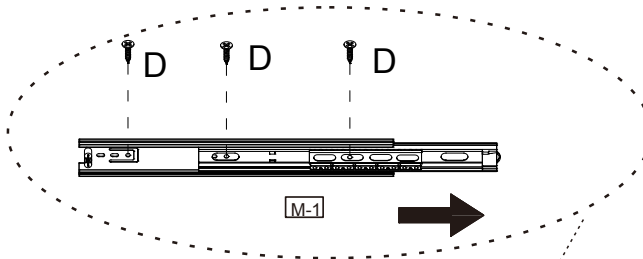
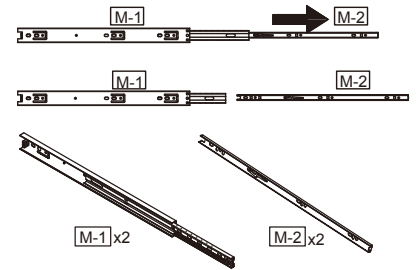
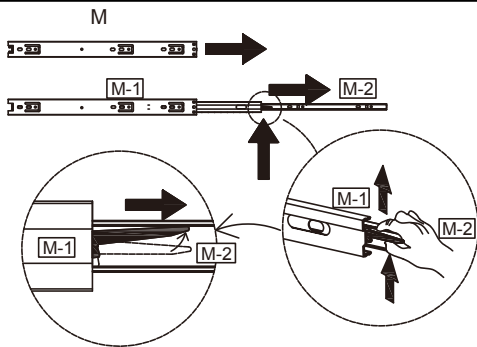
6

B		6PCS	
C		9PCS	


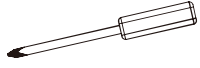



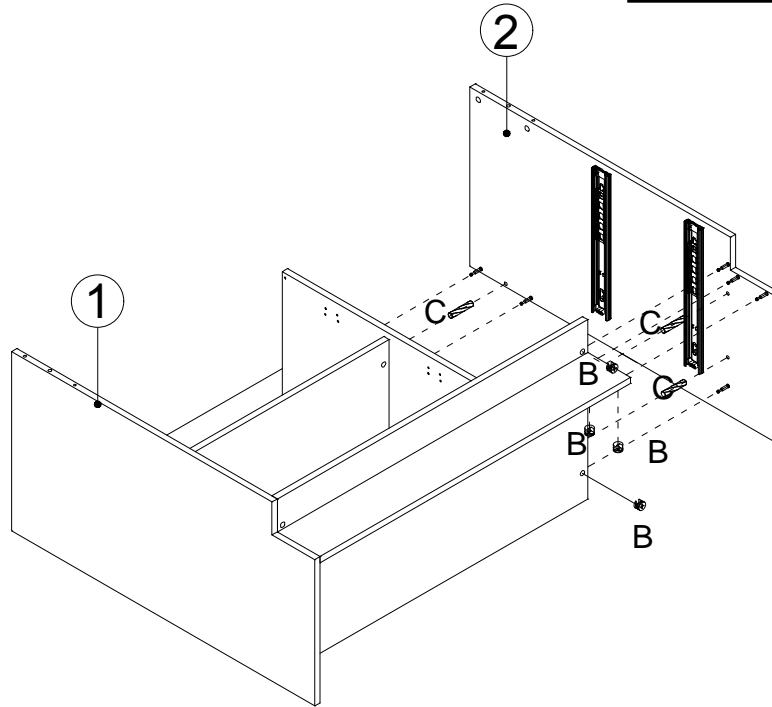
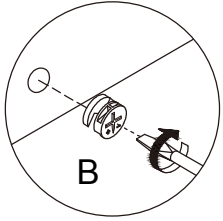
7

D		6PCS	
M		2PCS	


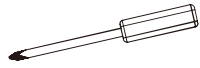



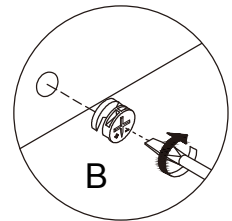
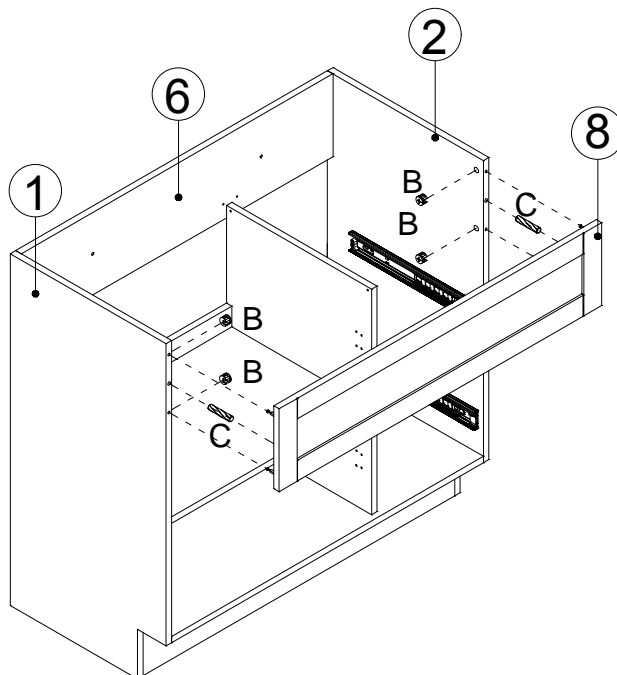
8

B		4PCS	
C		3PCS	

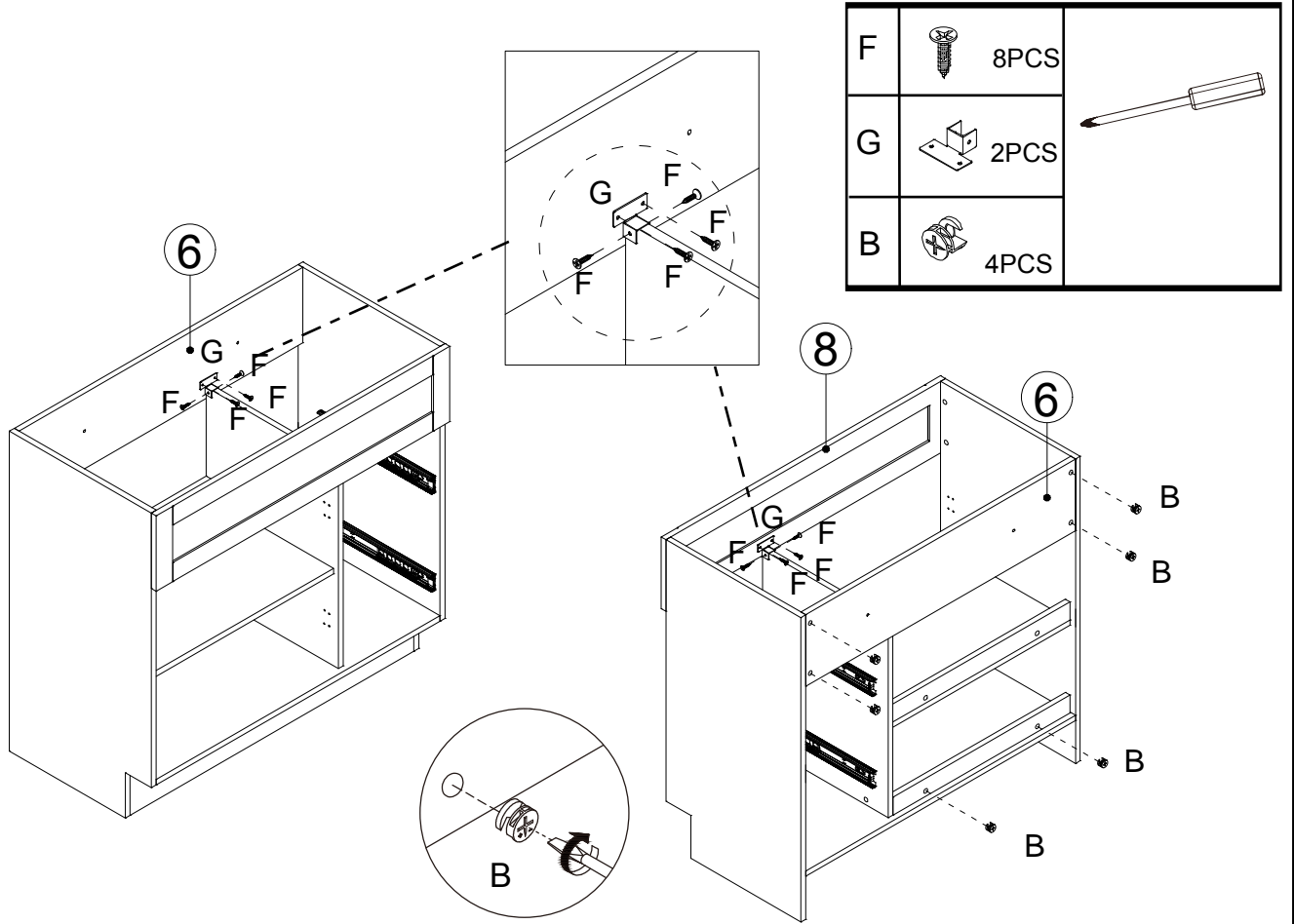


9

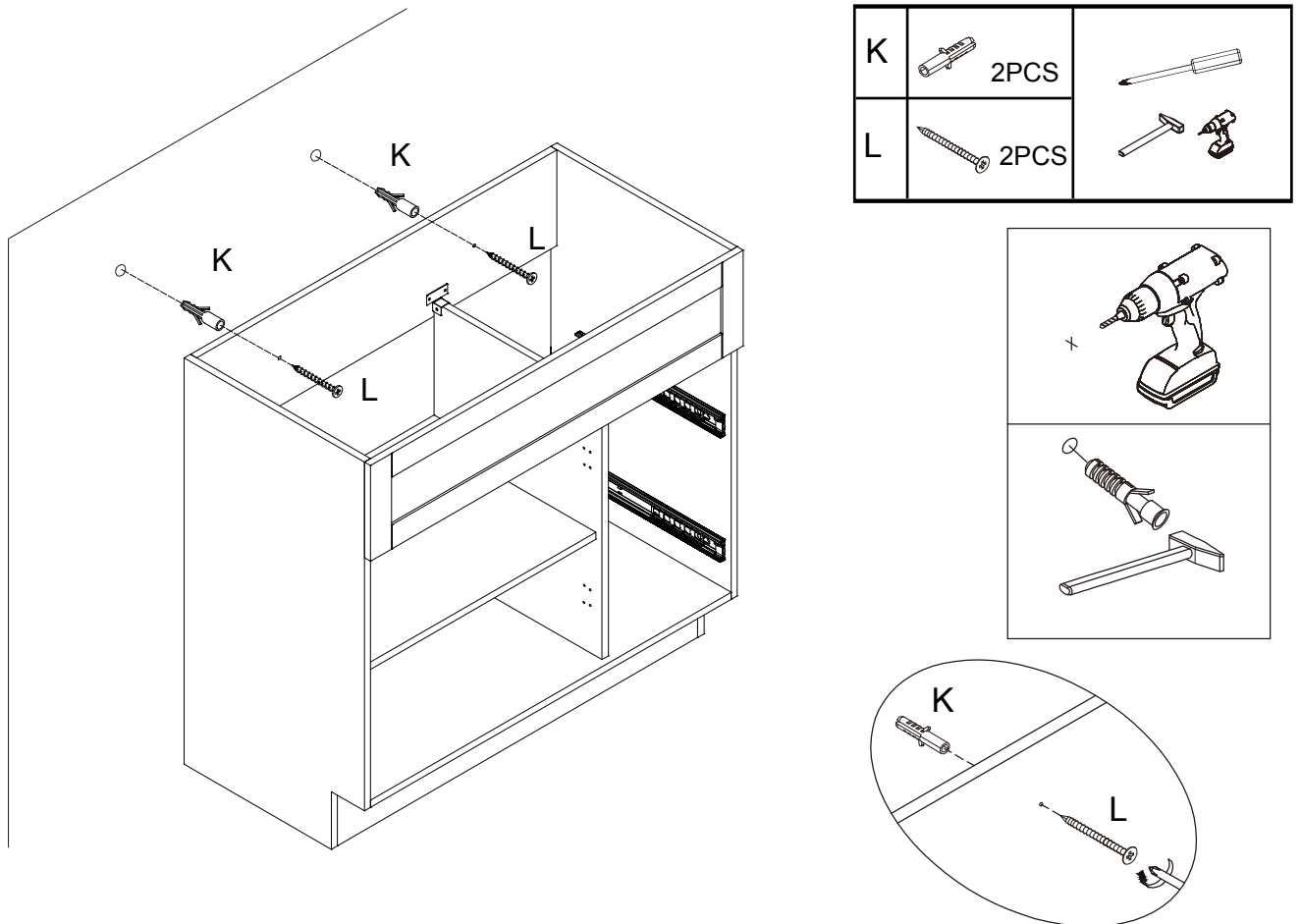
B		4PCS	
C		2PCS	



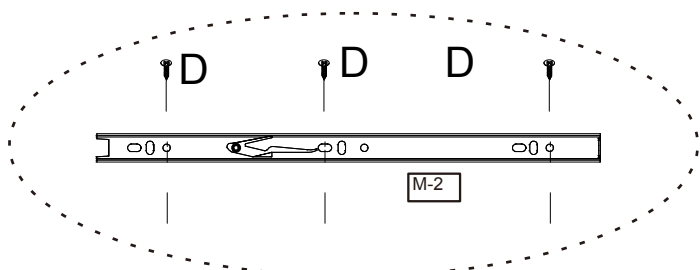
10

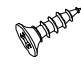
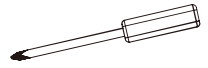


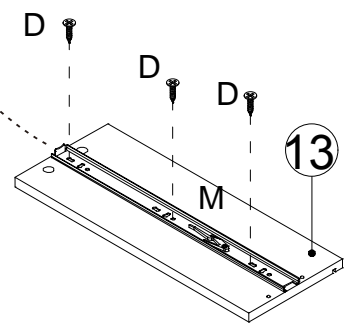
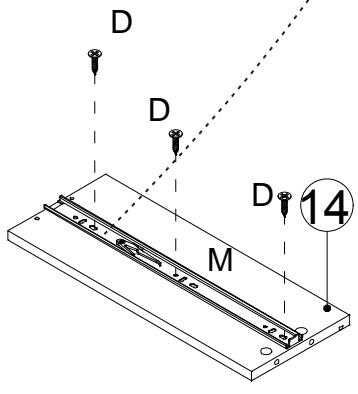
11



12


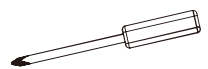


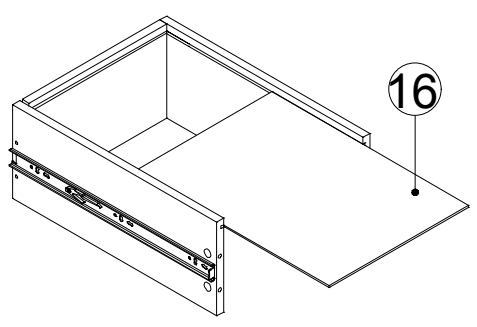
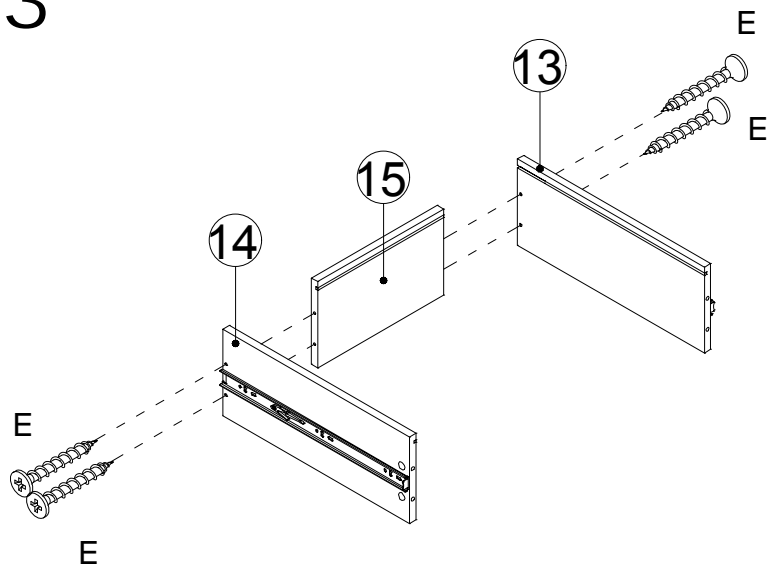
D	 12PCS	
M	M-2 4PCS	



x2

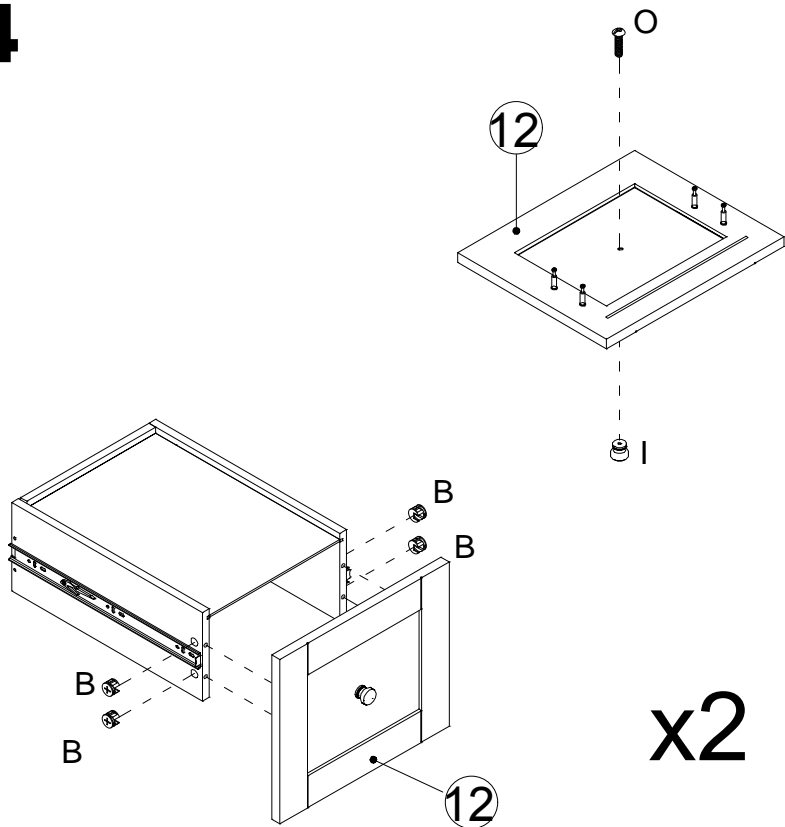
13


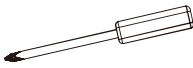


E	 8PCS	
---	--	---



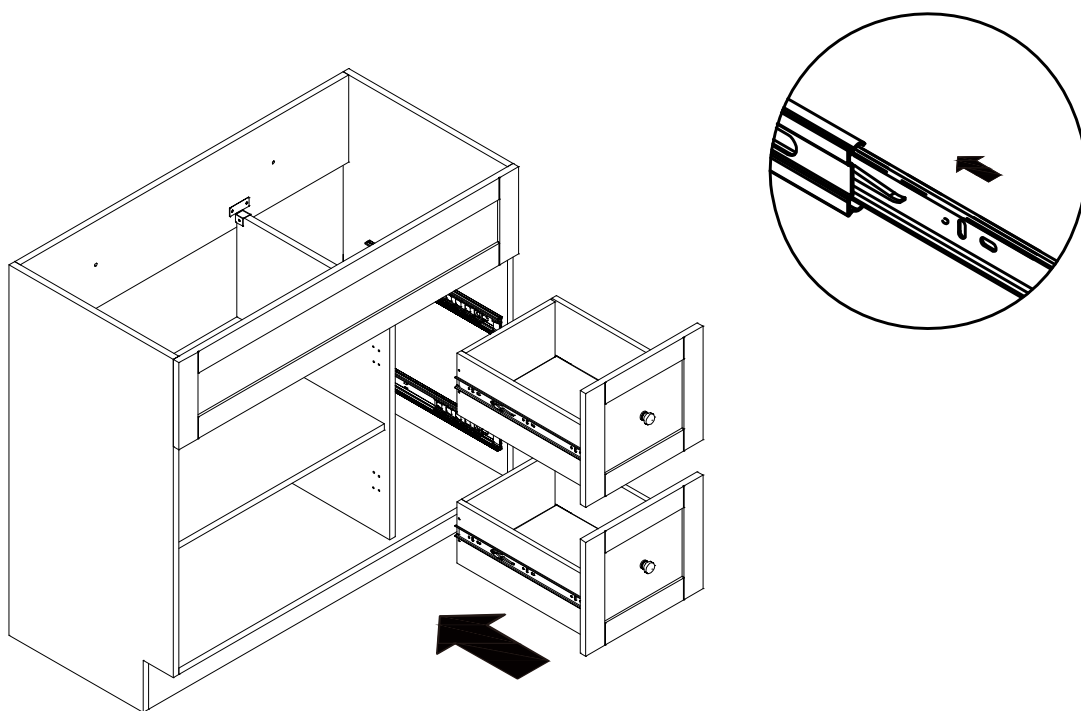
x2

14

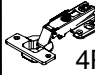
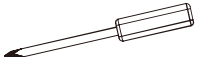
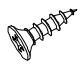




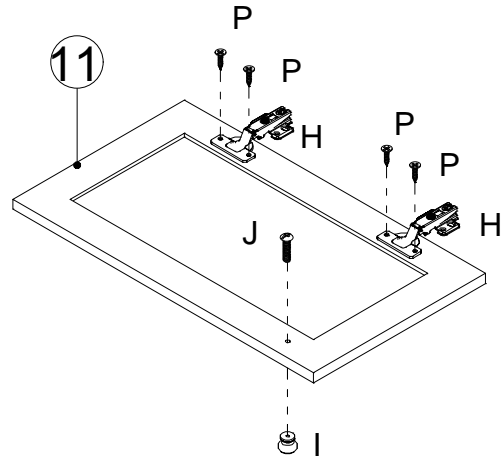
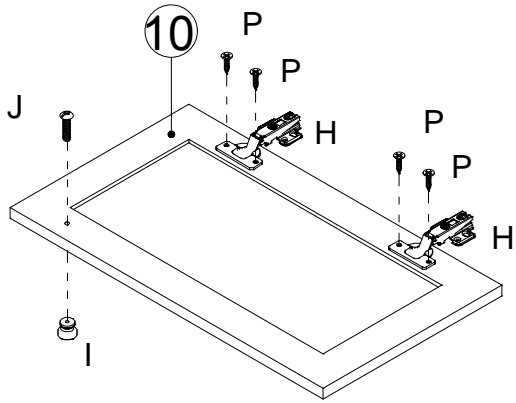
O	 2PCS	
I	 2PCS	
B	 8PCS	

15

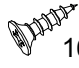
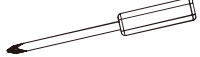



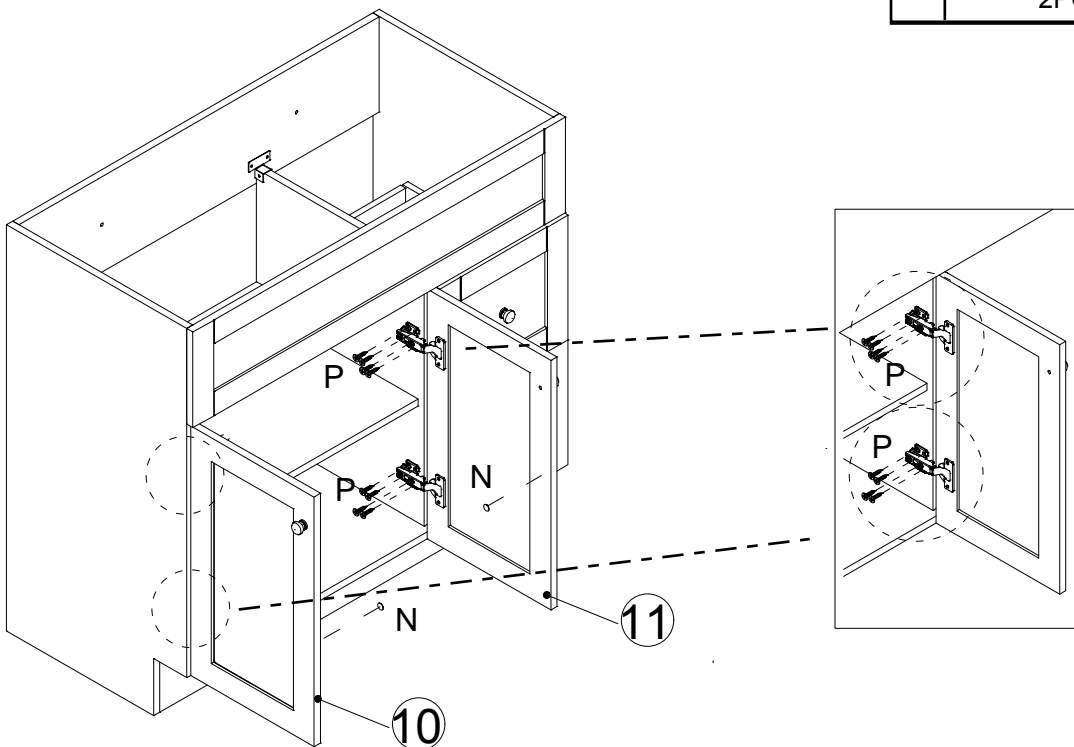
16

H	 4PCS	
P	 8PCS	
I	 2PCS	
J	 2PCS	



17

P	 16PCS	
N	 2PCS	



THANK YOU

Thank you for choosing our product. We sincerely hope that the assembly process has been smooth and enjoyable for you. If you have any questions or suggestions during the use of the product, please feel free to contact us.

