



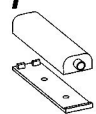







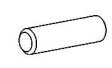
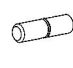


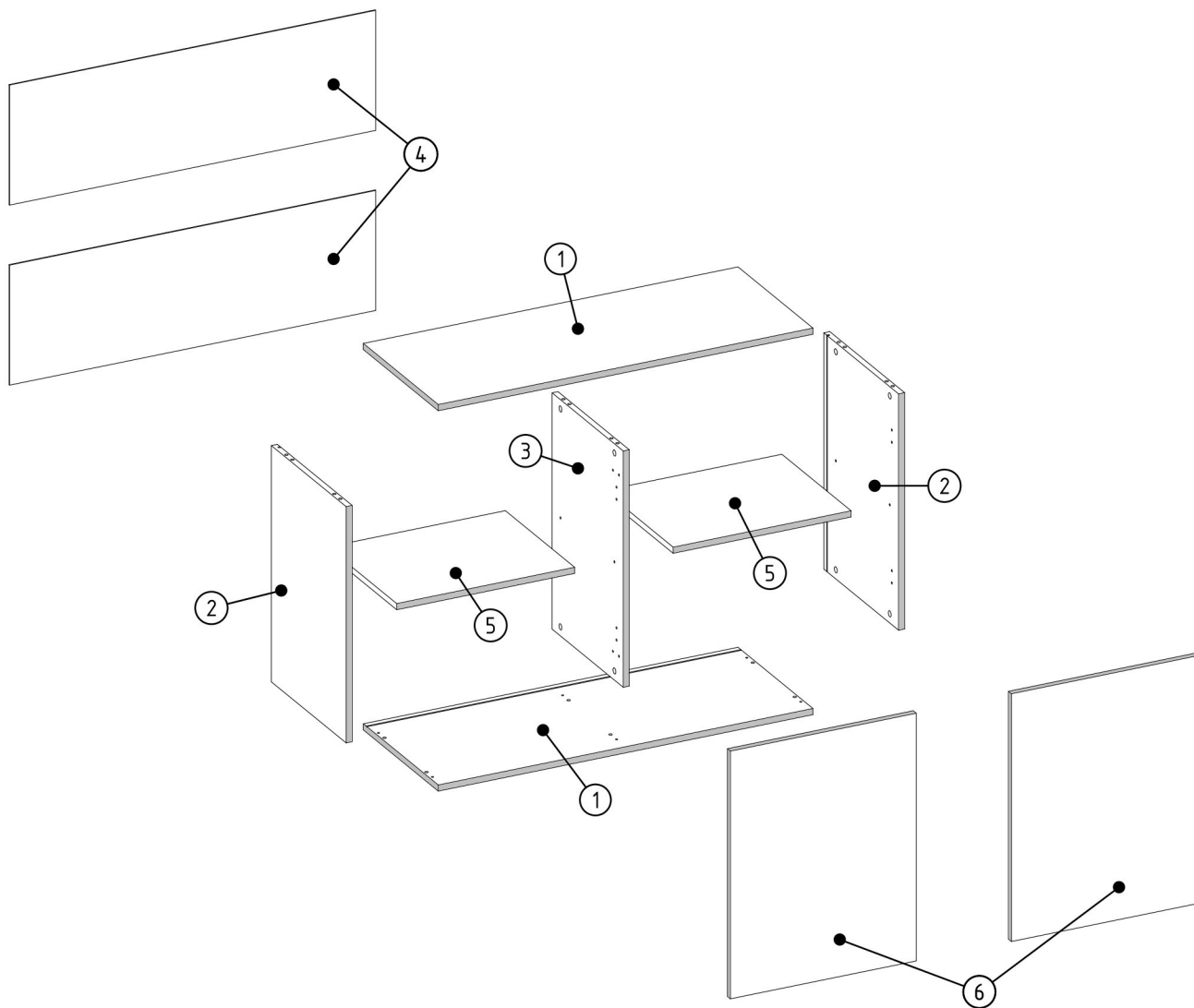


B5  x4	T5  x4	B1  CZ ø17/5-4mm x12	B1  S-A ø17/5-4mm x12	V7  x2	S9  4x16mm x16	V13  x1	V30  x16
Z1  x10	A1  ZP x4	S1  3,5x16mm x8	M1  12x15mm x12	E1  8x30mm x12	V16  5x16mm x8	N1  L=35mm x12	R1  6x8mm x4

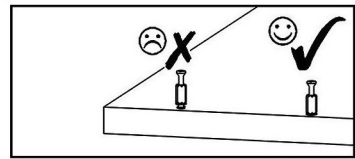
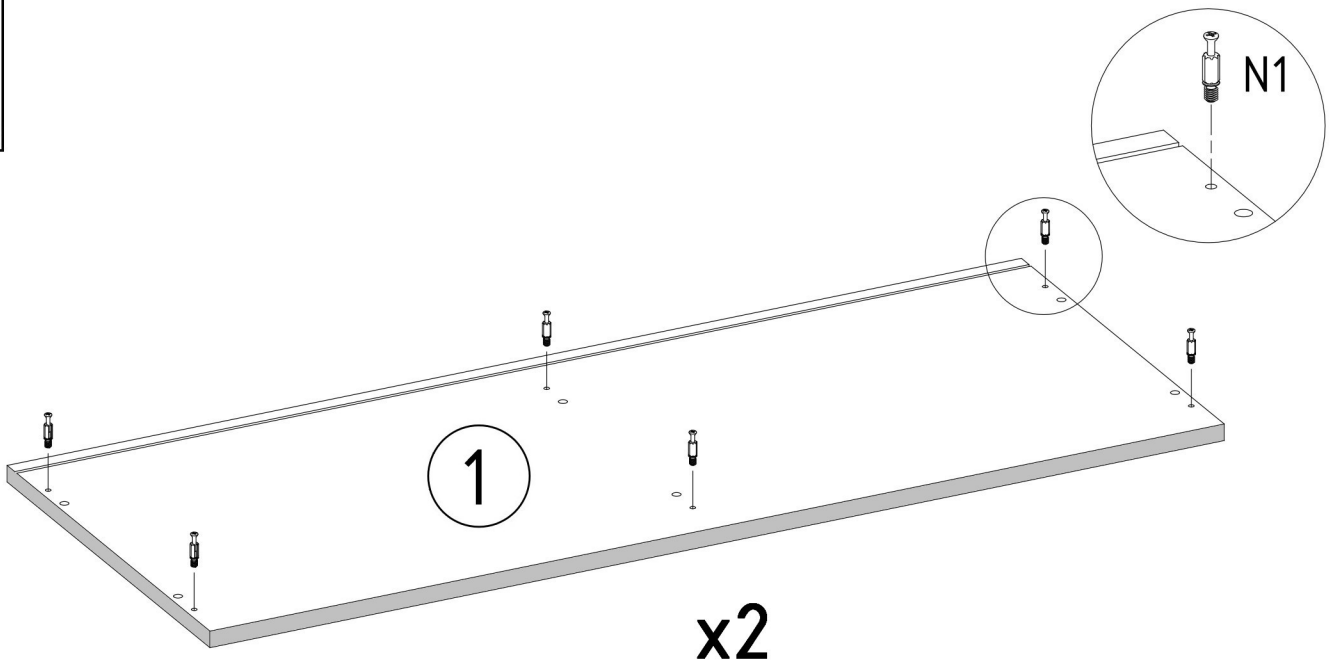



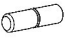
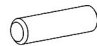
1	x	2
2	x	2
3	x	1
4	x	2
5	x	2
6	x	2

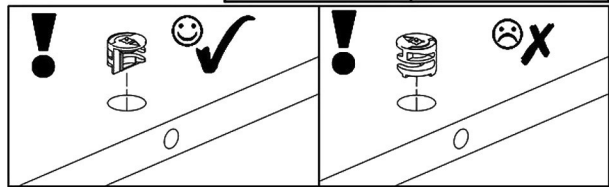
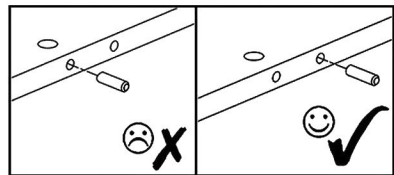
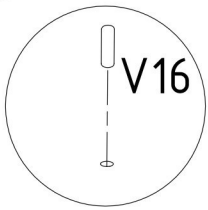
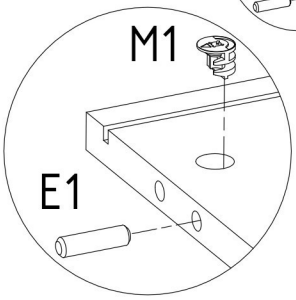
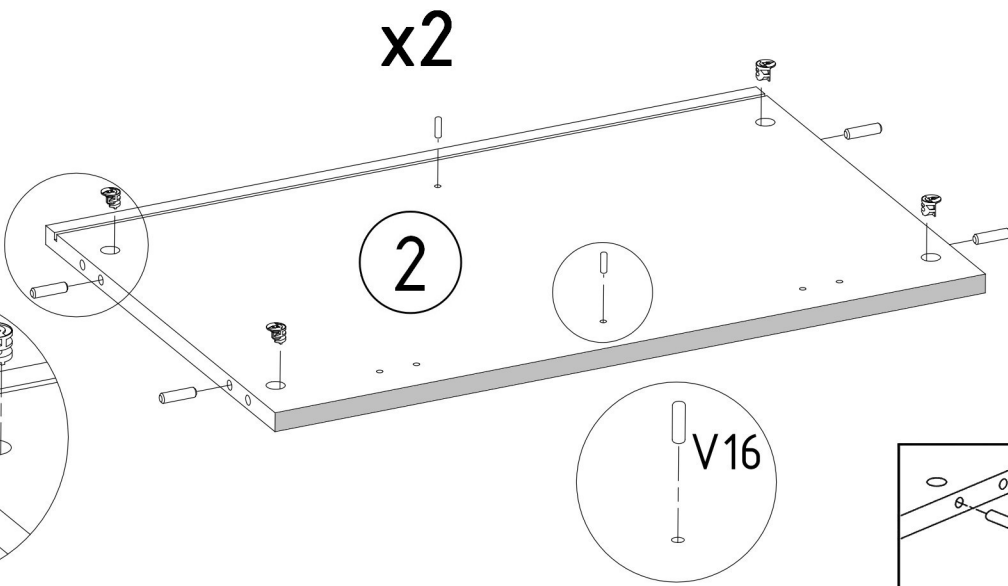
N1



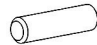


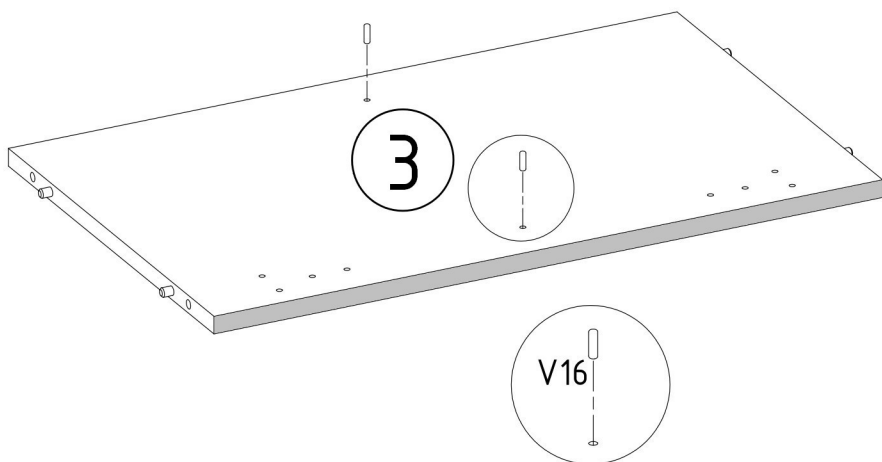
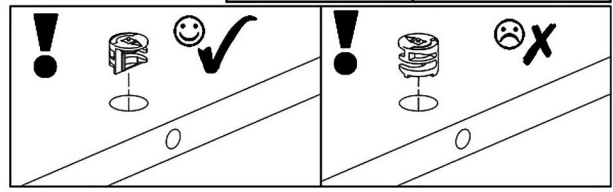
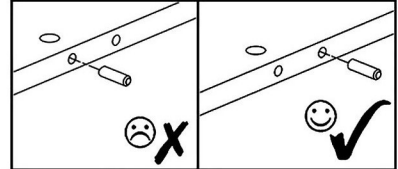
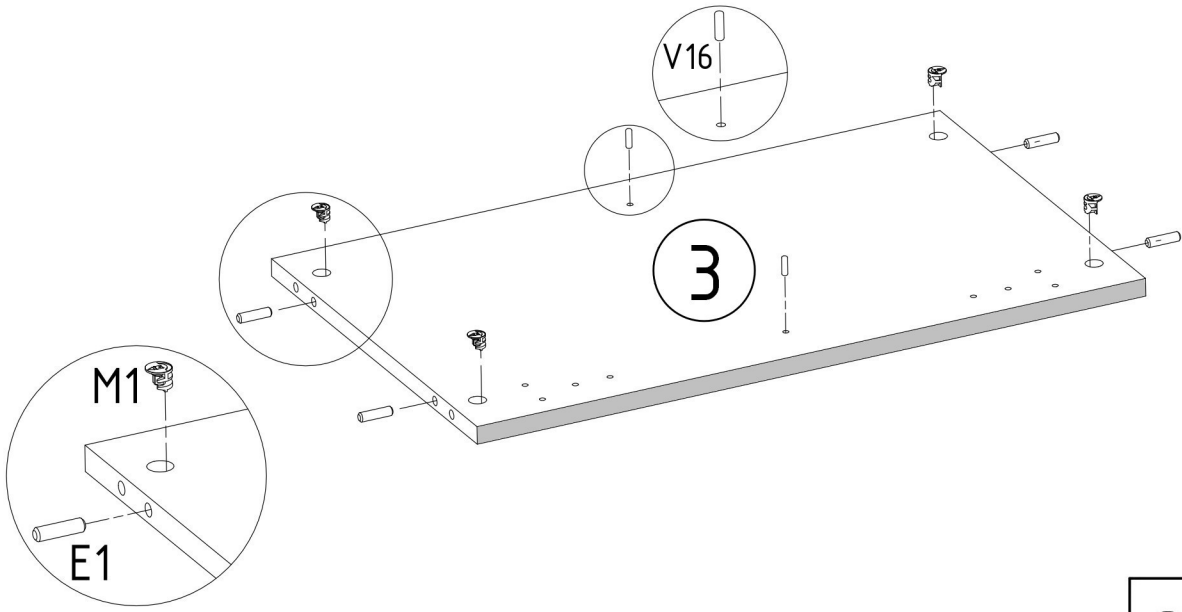
L=35mm x12

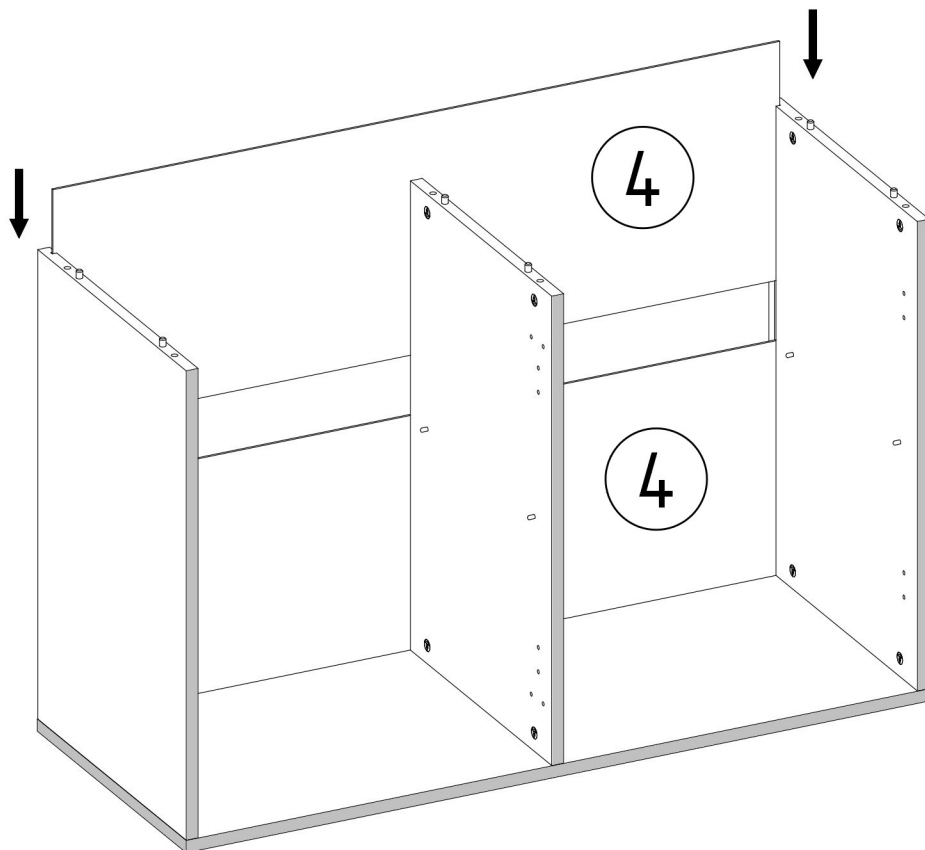
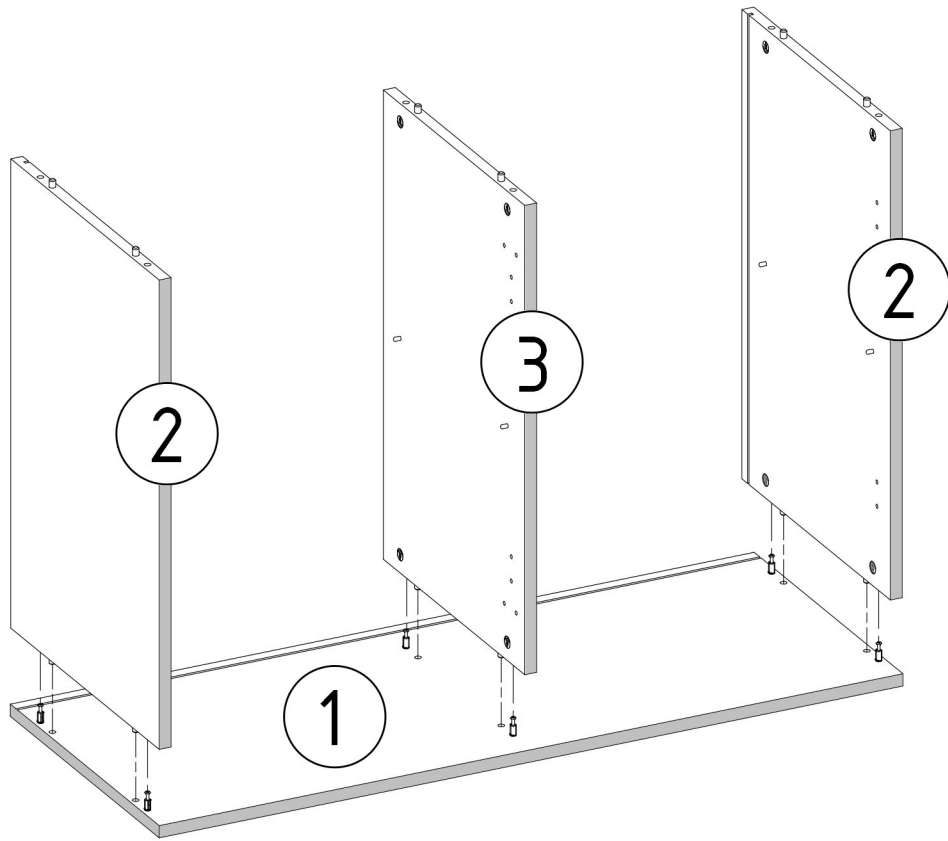


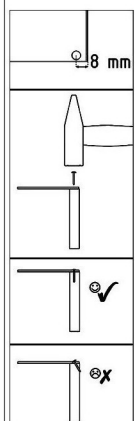
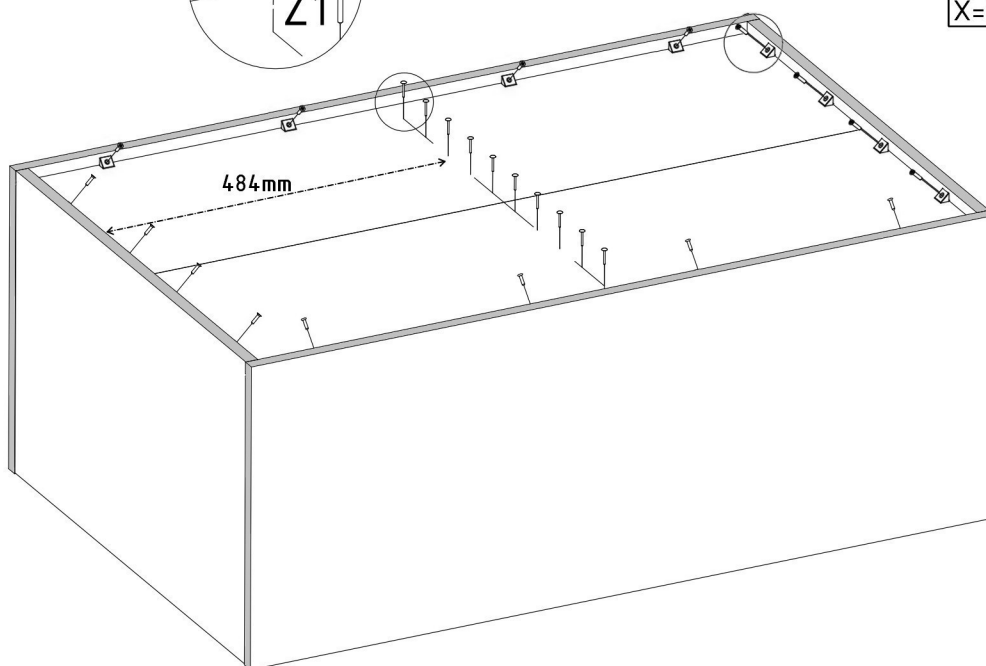
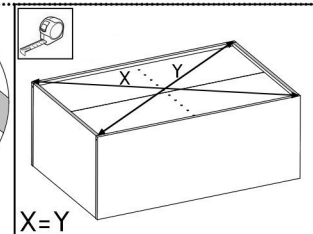
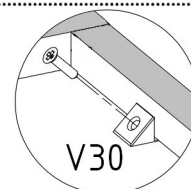
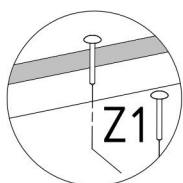
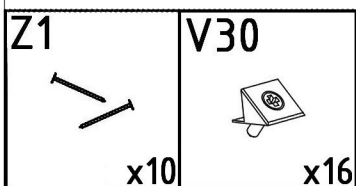
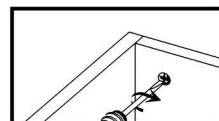
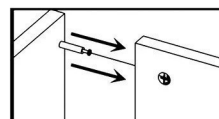
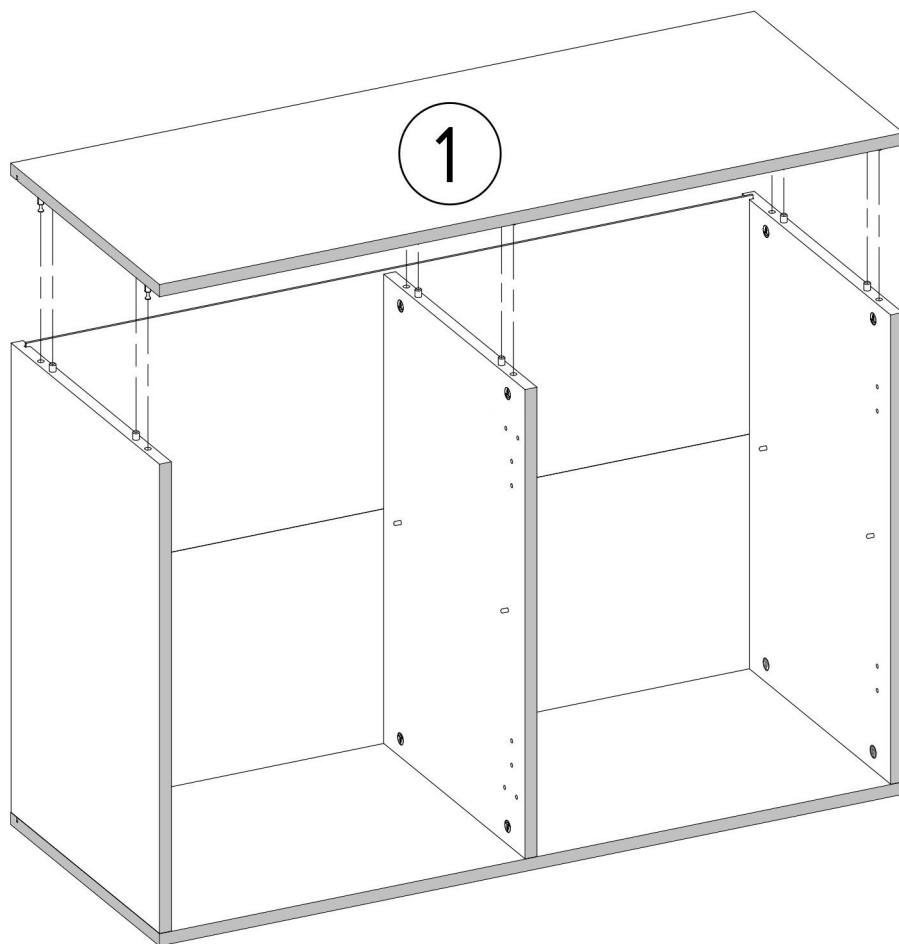
M1	V16	E1
		
12x15mm x8	5x16mm x4	8x30mm x8






M1  12x15mm X4	V16  5x16mm X4	E1  8x30mm X4
---	--	---







B1  ø17/5-4mm x12	S9  4x16mm x16	T5  x4
---	---	--

