



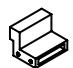





Barn Door Hardware Installation Manual

※Check the Quantities

Note: If you encounter any problem with the package and the following installation, please email us at info@winsoonhardware.com. Please also tell us your “**ORDER ID**,” we will solve any issues for you as soon as possible.

Double Door Hardware Kit Includes								
Part Name	Flat Track	Steel Hanger	Anti-jump Pad	Floor guide	Door Stopper	Lag Bolt	Spacer	Junction Plate
Picture								
4FT	1	4	4	2	4	3	3	0
5FT	2	4	4	2	4	4	4	1
5.5FT	2	4	4	2	4	4	4	1
6FT	2	4	4	2	4	5	5	0
6.6FT	2	4	4	2	4	5	5	0
7FT	2	4	4	2	4	5	5	0
7.5FT	2	4	4	2	4	6	6	1
8FT	2	4	4	2	4	6	6	1
9FT(CA)	3	4	4	2	4	6	6	2
9FT(US)	2	4	4	2	4	6	6	1
10FT	3	4	4	2	4	8	8	2
11FT	3	4	4	2	4	8	8	2
12FT	3	4	4	2	4	9	9	2
13FT	3	4	4	2	4	9	9	2
14FT	3	4	4	2	4	10	10	2
15FT	4	4	4	2	4	12	12	3
16FT	4	4	4	2	4	12	12	3
17FT	4	4	4	2	4	12	12	3
18FT	4	4	4	2	4	14	14	3

Note:  Plastic washer use if door thickness <38mm

● Installation Tools



Ruler



Pencil



Drill



Level



Ratchet

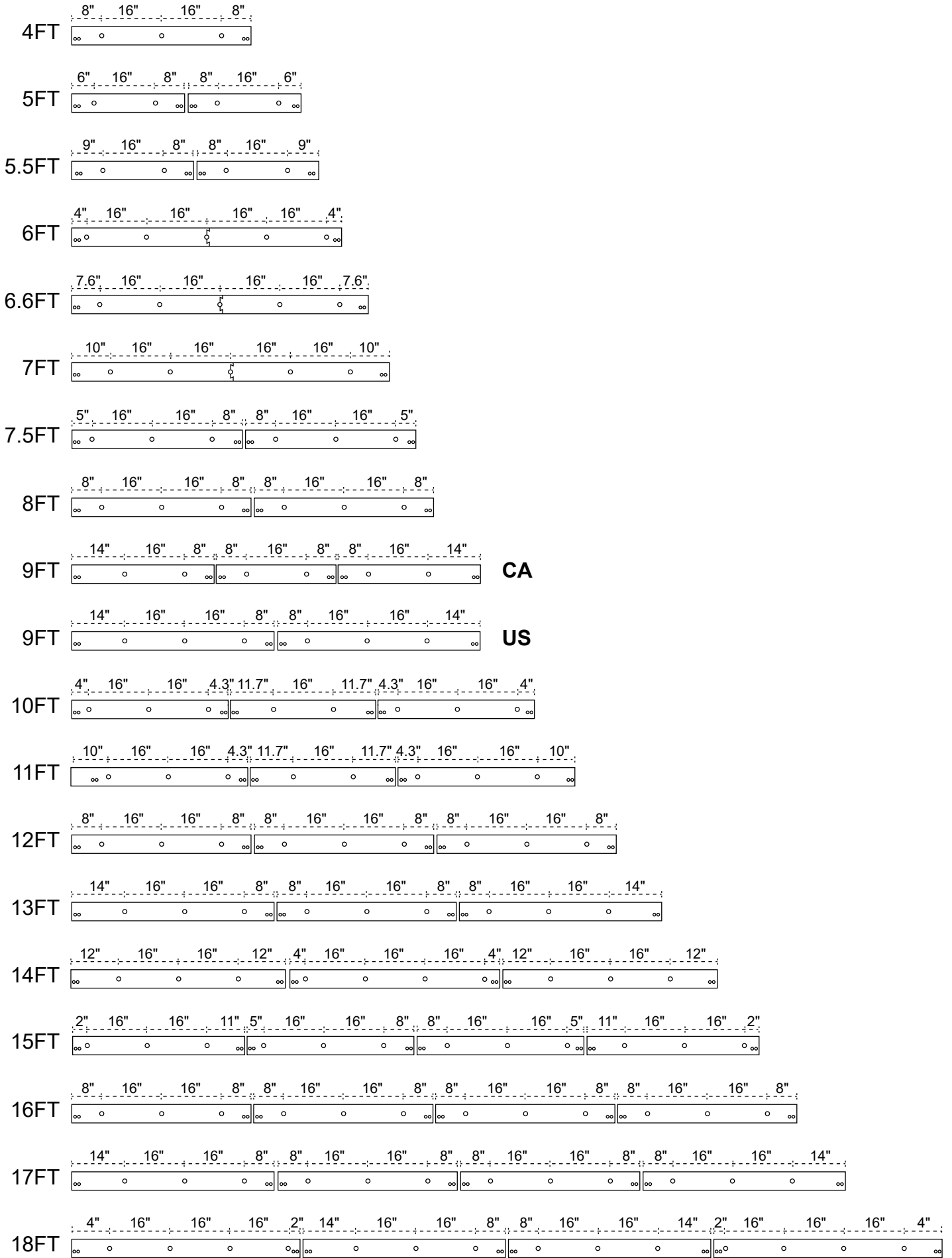


Wrench



Router

※Chart: Track Junction



Prepare Your Doors

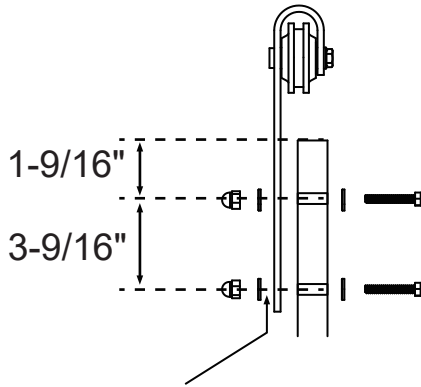
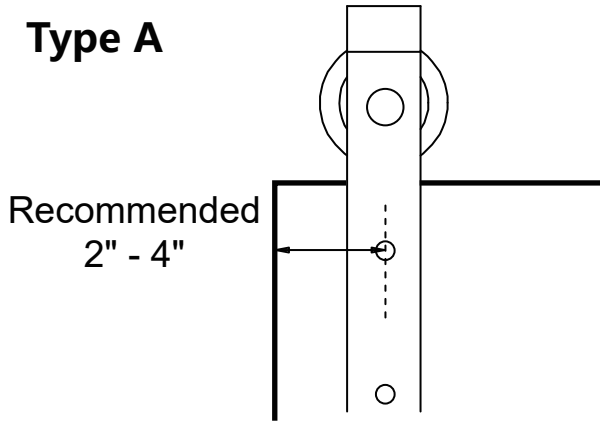
※Hardware Installation


Step 1: Attach Steel Hangers to Your Doors

a. Drill $7/16$ " holes at the distances from the top of the doors shown in the above chart. **Note:** The Hanger Bolts are inserted through the back of the door (i.e. the Hanger and Acorn Nuts attach to the front face of the door).

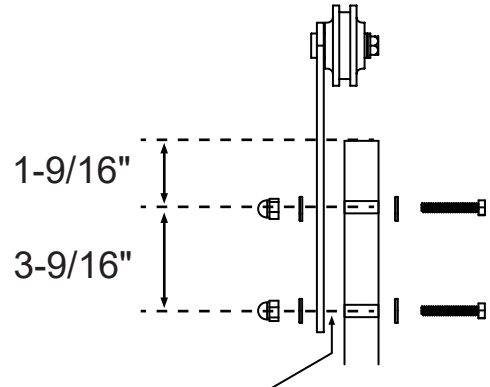
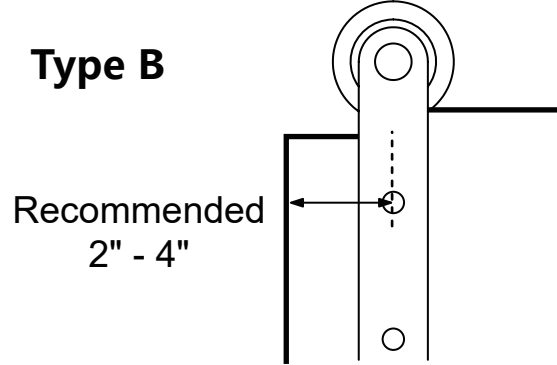
b. Attach Hangers with the Hanger Bolts, Washers and Acorn Nuts as shown below.


Type A



If door thickness <math>< 1-1/2", please use the plastic washer 

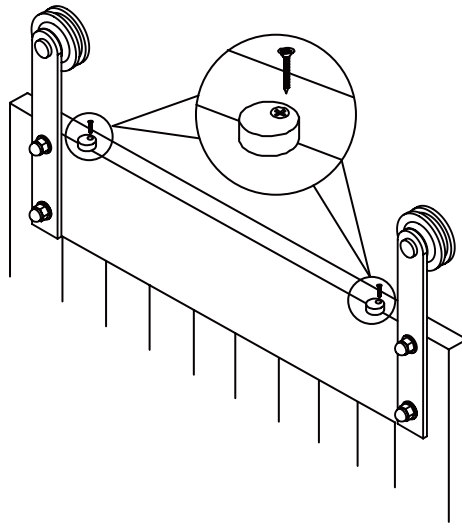
Type B



If door thickness <math>< 1-1/2", please use the plastic washer 

Step 2: Install anti-jump pad

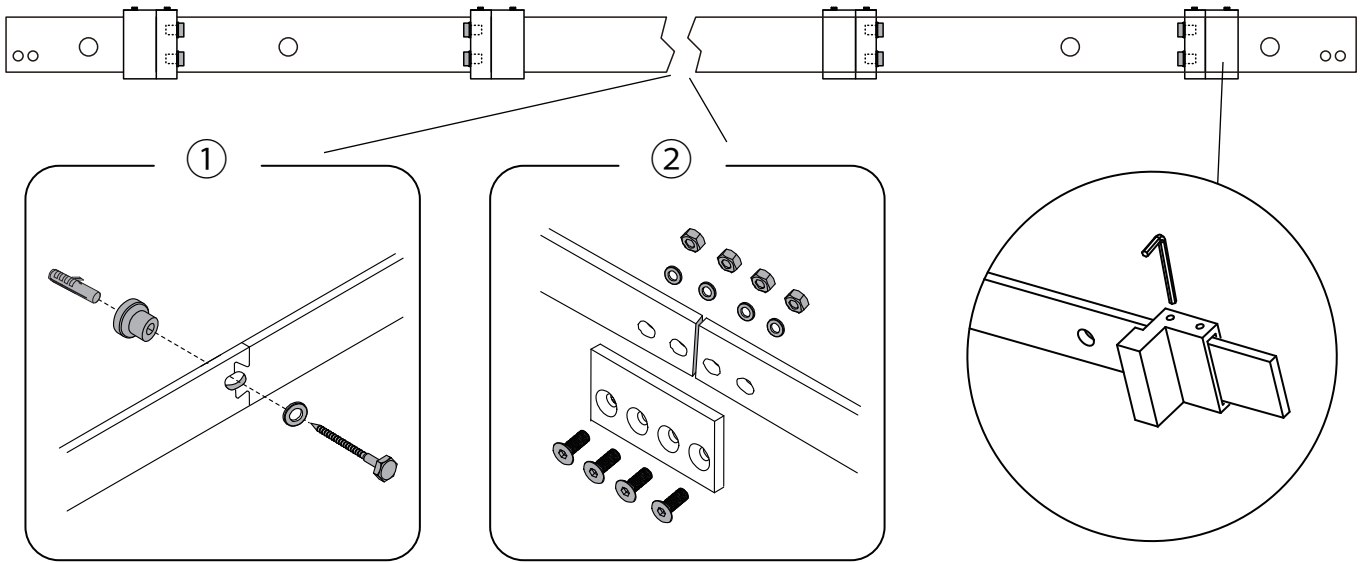
As shown in the illustration, the screw is near the front edge of your door (recommended: drill pilot hole to avoid splitting). Do not over tighten.



Prepare and Install the Tracks

Step 3: Connect Tracks And Install Door Stoppers

- a. Connect your tracks with junction plates if needed.
- b. Loosely install the Door Stoppers near each end of the track (final positioning will be determined at the end of the installation (Step 8)).

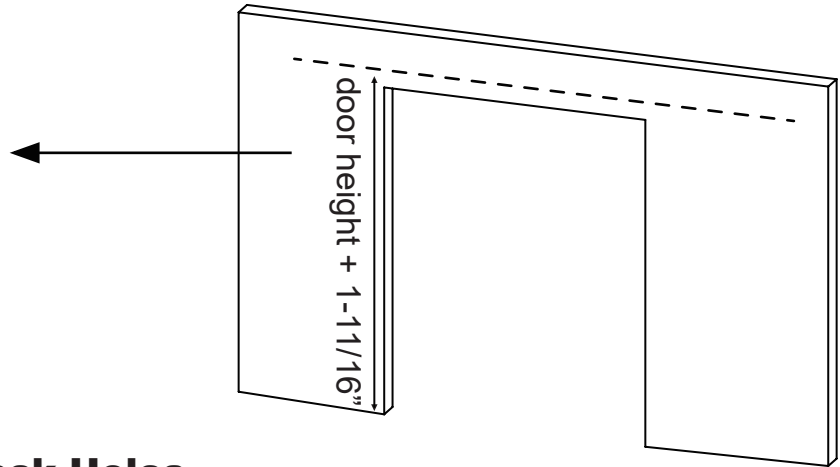


✘ There are 2 ways to the connection according to the length

Step 4: Draw Line for the Track

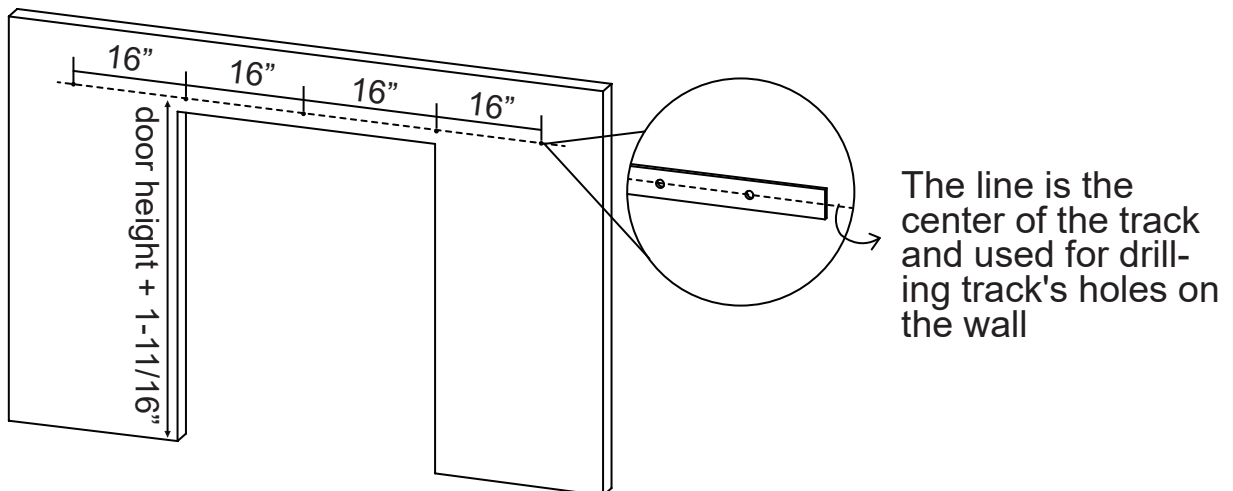
Using a level, draw a line to install the Track, at the door height + 1-11/16" above the floor.

This data includes space for installing floor guide already.
No additional reservation required.



Step 5: Mark and Drill Track Holes

- a. Line up a Track on the line and mark the location of the holes. Note: holes are 16" apart, line up with wall studs if possible.
- b. Concrete wall: Drill holes by using a 3/8" concrete drill bit.
- c. Wood framed wall: Drill out the holes by using a drill with 1/4" drill bit.

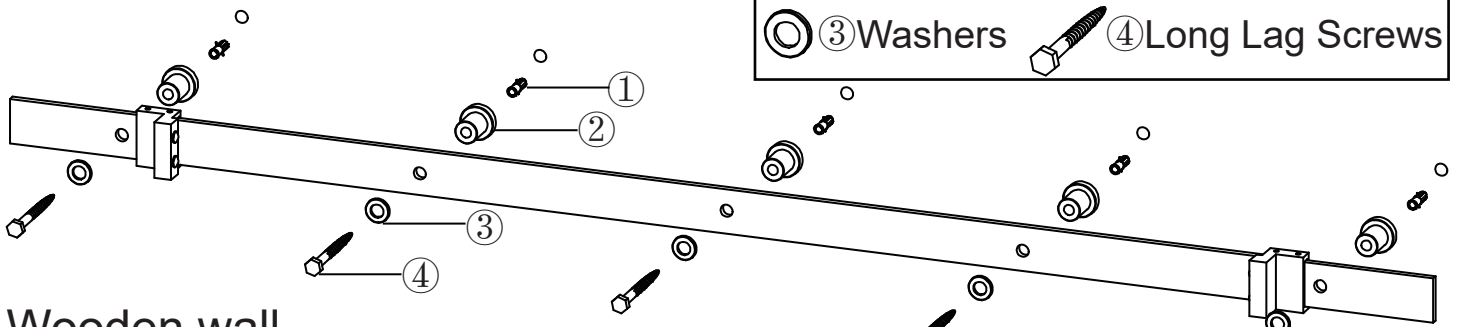


Step 6: Install The Track

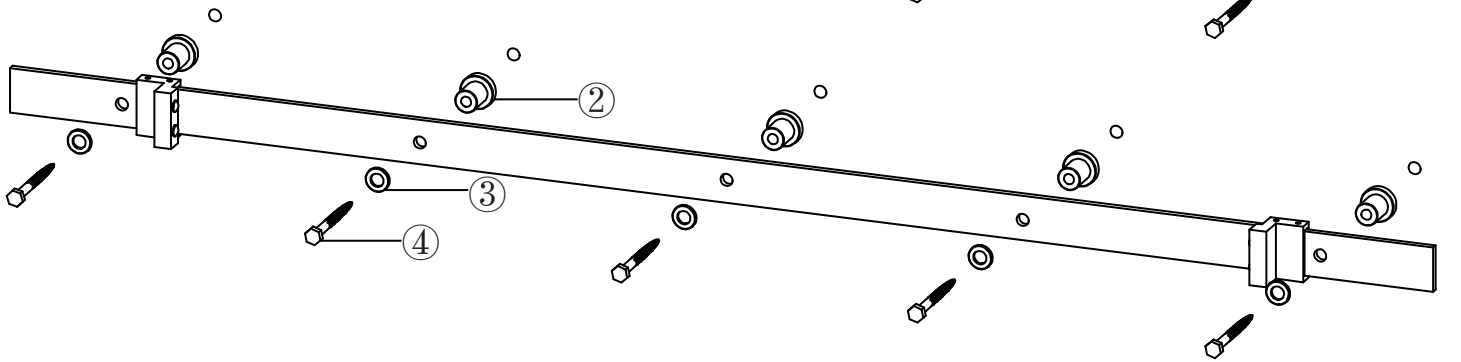
Using the Spacers, Long Lag Screws, and Washers (and hollow wall anchor if necessary), attach the Track to the wall as shown in the illustration below.

Tip: Loosely attach one end of the Track with the other end resting on the ground. Then swing track up and attach other end. Finally, fill in the middle holes.

Concrete wall



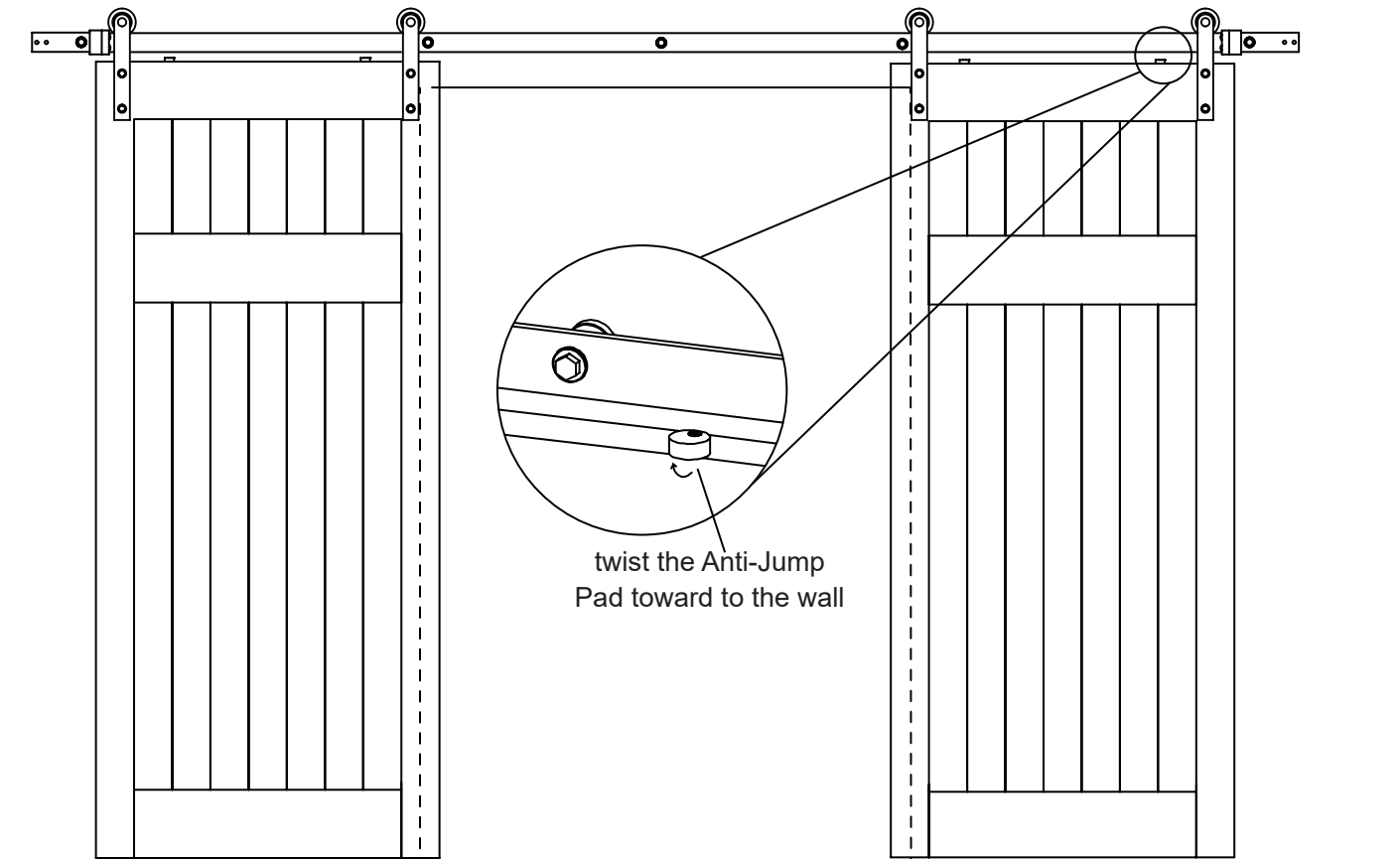
Wooden wall



Hanging and Positioning Doors

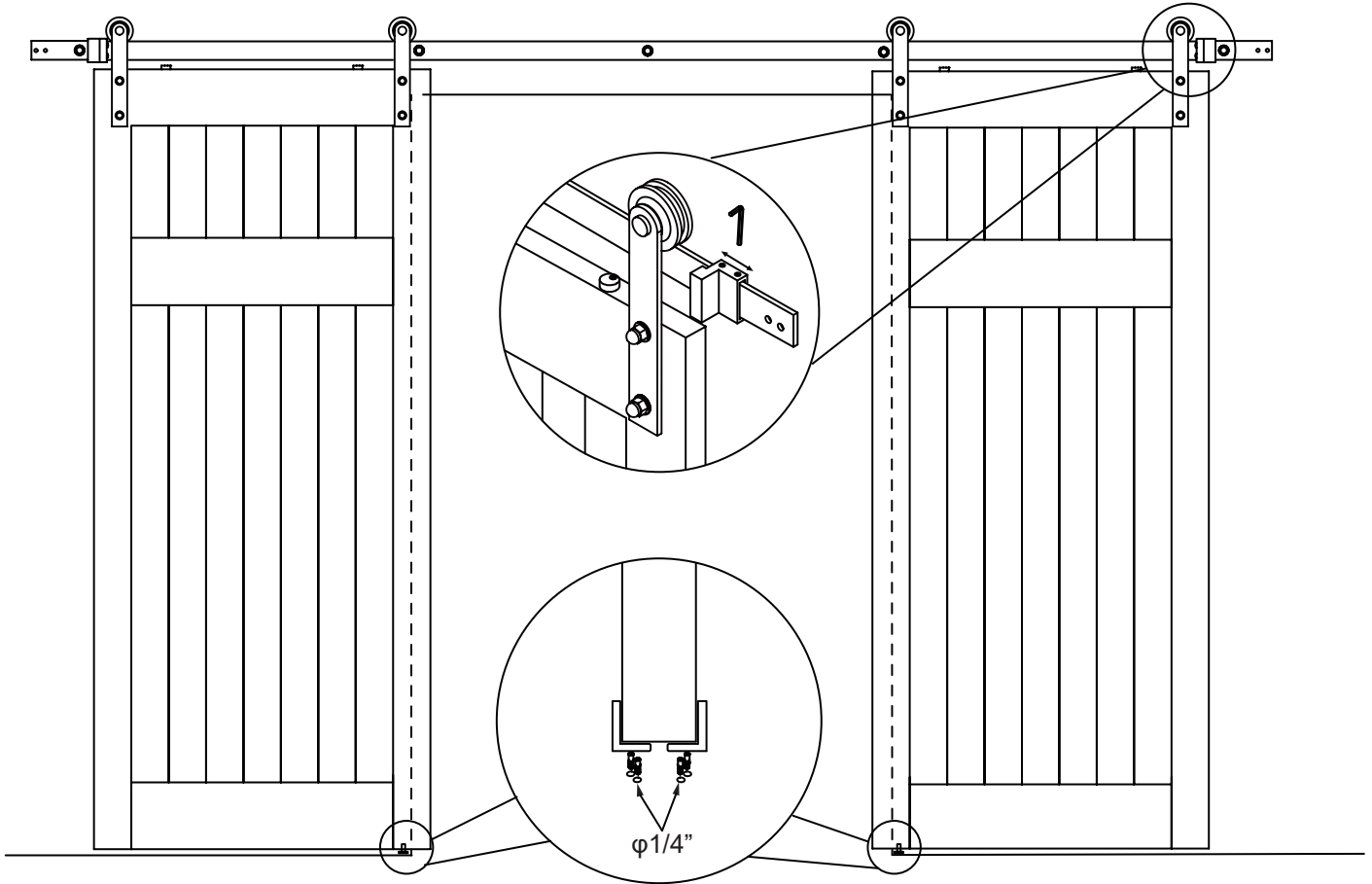
Step 7: Install Your Doors

Hang your Steel Hangers on the Track, and then twist the Anti-Jump Pad toward to the wall so that it is under the Track.



Step 8: Install the Floor Guide

Position the door at your desired close position, put half of the floor guide under the door, mark the location, and then fix guide to the floor. Position doors in your desired closed and open position and adjust Door Stoppers.



WARNING

- Failure to wear proper safety gear (i.e., eye protection) may result in serious injury or death. Always wear proper safety gear before using power tools.
- Improper operation of power tools may result in loss of control, serious injury or death. Always ensure you have complete control of the power tool and the work area is free of hazards before operating a power tool.
- Lack of secure clamping of the door may result in unexpected movement of the door, loss of power tool control and serious injury or death. Always securely clamp the door in place before cutting, or drilling, the door.
- Lack of, or improperly installed Anti-jump Disc may result in the door coming off the track and cause serious injury or death. Installation of Anti-jump Discs are required for safe operation of this hardware. Installed properly, these discs will keep the door securely attached to the track.

CAUTION

- Mishandling of heavy objects (i.e., doors) may cause a loss of balance and serious injury. Always be sure you have a secure hold on the object and are balanced before moving the object. Always wear safety shoes when lifting heavy objects.
- Getting body parts (i.e., hair, fingers) caught in moving parts may cause pinching and serious injury. Do not put fingers in parts that may move and always remove or contain anything on your body that may become entangled with a moving part.
- Closing sliding doors with your hand on the end of the door may result in your hand, or fingers, getting caught between the door and other solid objects (i.e., another door, molding) causing serious injury. Always use the door handle to close doors.

Usage Statement:

Use of excessive force when opening, and closing, the door(s) may result in damage to the hardware. Always hold the handle and gently open and close the door(s).

Warranty Statement:

5 year straight unconditional warranty service enables every single hardware's durability coverage during its life time.

www.winsoonhardware.com