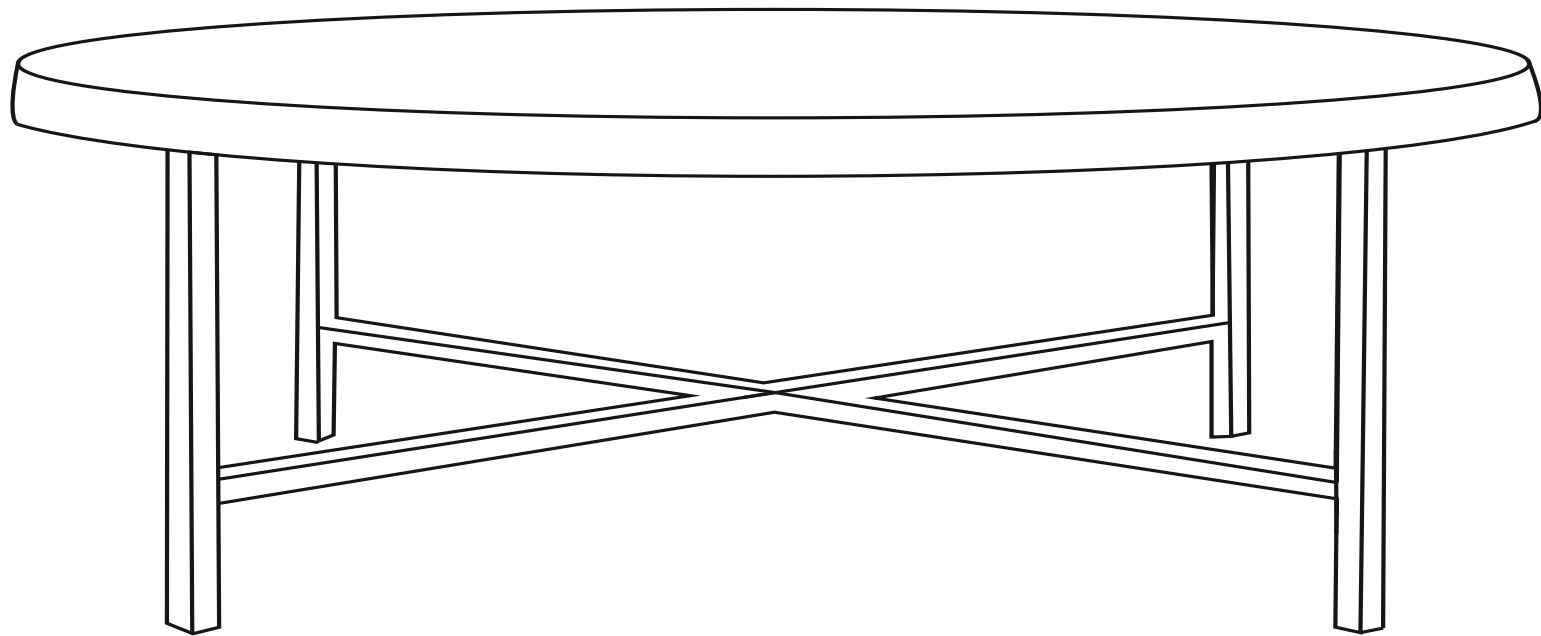


ROUND MARBLE COFFEE TABLE

Assembly Instructions

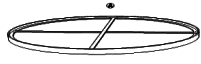


Thanks for bringing Safavieh Couture into your home

Every thing we make is incredibly simple to set up, including your new Coffee Table. You won't need any addition tools.

Parts List

A x 1
Frame Top+ Marble



B x 4
Legs



C x 1
Stretcher



Hardware List

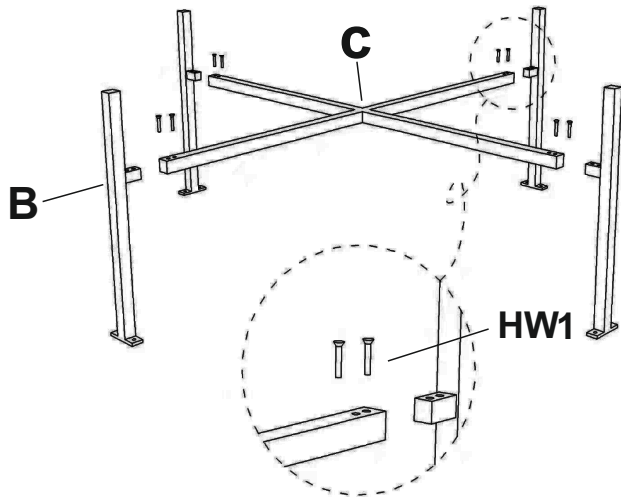
HW1 X16
Allen Bolt
(M6x12mm)



HW2 X1
Allen Key

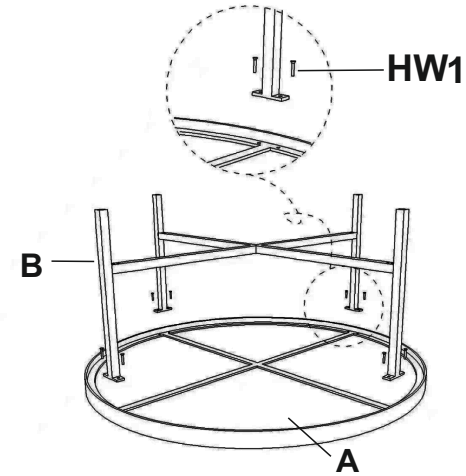


1
Attach the Stretcher (C) to the 4 Legs (B) by using the Allen Key (HW2) to screw in the Allen Bolts (HW1). Fully tighten all the Bolts.



2

Place the Top Frame + Marble (A) upside down on a soft and clean surface. Align the screw holes on the Legs (B) to the screw holes underneath the Top Frame (A). Use the Allen Key (HW2) to screw in the Allen Bolts (HW1). Do not fully tighten the bolts



3

Turn the table upright. Place the coffee table in the place where you will use it. We'd love to see it – just tag us (we're @safavieh) and use the hashtag #safavieh on Instagram!

