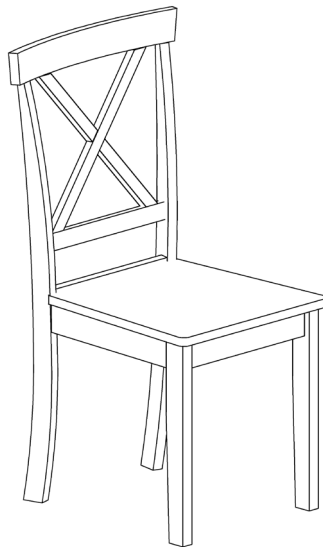


MILLFORD DINING CHAIR

ASSEMBLY GUIDE



SCAN ME

www.furniturebox.co.uk

Scan QR code for more tips,
and advice or visit
furniturebox.co.uk/club/general-club-page



furniturebox

Important - Please read these instructions fully before starting assembly



**SAFETY AND
CARE ADVICE**



NO POWER TOOLS

SAFETY AND CARE ADVICE

- Check you have all the components and tools listed.
- Remove all fittings from the plastic bags and separate them into their groups.
- We do not recommend the use of power drills/drivers for inserting screws, as this could damage the unit. Only use hand screwdrivers and Allen keys.
- Keep children and animals away from the work area, small parts could cause choking if swallowed.
- Make sure you have enough space to lay out the parts before starting.
- Assemble the item as close to its final position (in the same room) as possible.
- Do not overtighten the nuts to avoid causing damage to the threads.
- Only clean using a damp cloth and mild detergent, do not use bleach or abrasive cleaners.
- From time to time check that there are no loose screws on this unit
- This product should not be discarded with household waste. Take to your local authority waste disposal centre



Follow us on Instagram
@furniturebox_uk

IMPORTANT INFORMATION



30 MINUTE
BUILD



TWO
PERSON



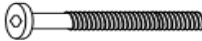

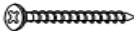


MAXIMUM
CAPACITY
120Kg

PLEASE CHECK CAREFULLY AND MAKE SURE YOU HAVE ALL FITTINGS AND TOOLS LISTED BELOW BEFORE YOU START.

LIST OF PARTS

No	Description	Qty
1	Chair Back	2
2	Front Legs	2
3	Apron	4
4	Seat	2

HARDWARE LIST

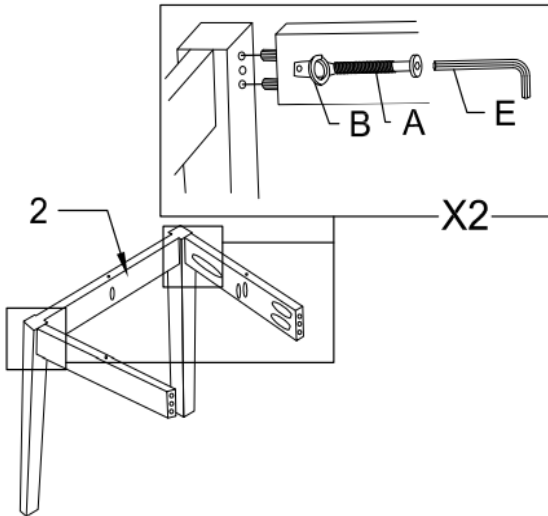
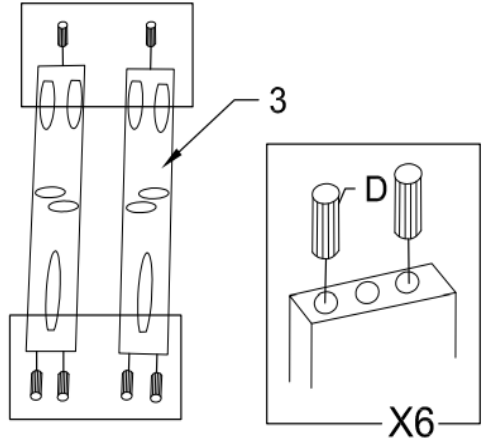
No	Description	Qty
A	JCBC 	12
B	Spring Washer 	12
C	Wood Screw 	6
D	Wood Dowel 	12
E	Allen Key 	1

NOTE: The quantities above are the correct amount to complete the assembly for 2x chairs. In some cases more fittings may be supplied than are required.

STEP 1

Use a clean, flat, soft surface to avoid any bumps or scratches.

Insert 6 x dowels into the ends of 2 x support aprons [3] - 2 in one end and 1 in the other.



STEP 2

Align the dowels on the 2 x support aprons [3] with the pre drilled holes on front leg [2].

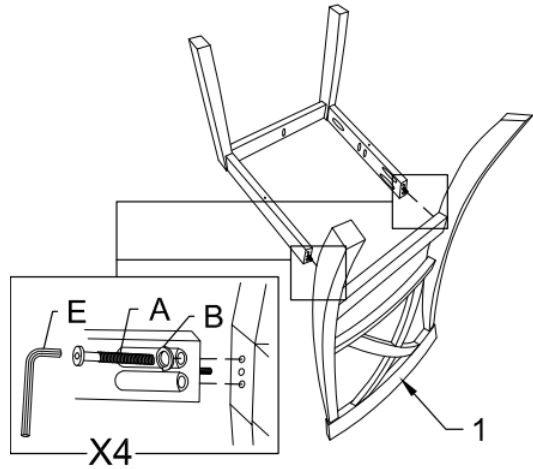
Secure using 2 x spring washer [B] and 2 x bolt [A] into the pre drilled holes. Tighten using allen key [E]



STEP 3

Place the chair back [1] upside down and align the dowel on the other end of the 2 x support aprons [3] with the pre drilled holes.

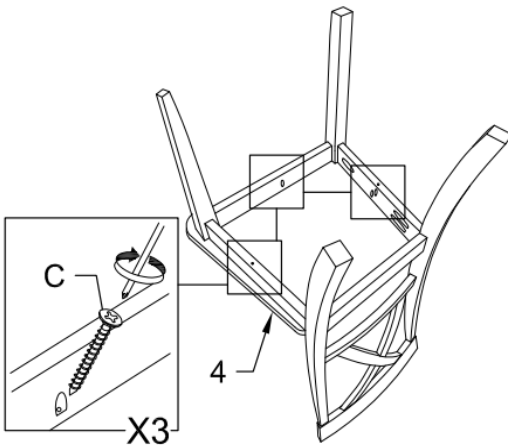
Secure using 2 x spring washer [B] and 2 x bolt [A] into the pre drilled holes. Tighten using allen key [E]



STEP 4

Place seat pad [4] upside down under the seat frame and align with the pre drilled holes.

Secure using 3 x screw [C] and tighten with a screwdriver.



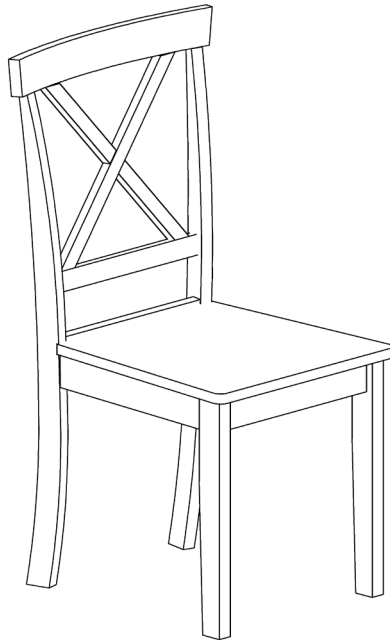
Repeat all steps for the second chair.

STEP 5

Carefully, and with help, flip the chairs upright on to the legs. Check the stability.

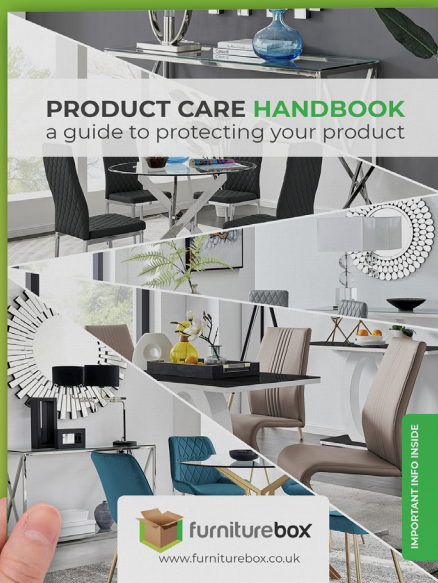
Your Chairs are now ready to use!

NOTE: This chair is not suitable to stand on.



LOOKING GOOD!

Now you've assembled your product find out how to care for your item and keep it looking brand new.



Look for your care guide in the box or visit:
www.furniturebox.co.uk/club/care-guide



OUR 2 YEAR GUARANTEE

our products come with a 2 year guarantee to give you peace of mind shopping at Furniturebox
some garden furniture items have a 1 year guarantee



WHAT THE GUARANTEE COVERS



PRE-INSERTED FIXINGS
e.g. loose metal threads



FAULTY JOINTS
e.g. legs bending



EXTERNAL FIXING FAULTS
e.g. metal discs removing from table top



STRUCTURAL INTEGRITY
e.g. the frame of the product



ACTIVATE YOUR GUARANTEE ONLINE

scan this QR code with your phone to read the full guarantee online and register your product. It only takes a moment to fill out. Or visit: furniturebox.co.uk/our-guarantee

Furniturebox UK, Unit 6 St Modwen's Park,
Chippenham, SN15 5BD
Tel: 01747 863333 Email: sales@furniturebox.co.uk