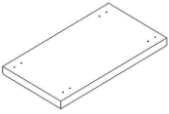

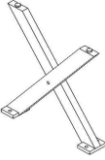

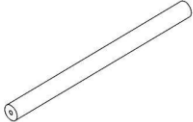

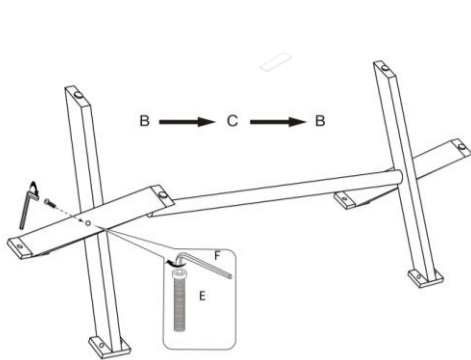


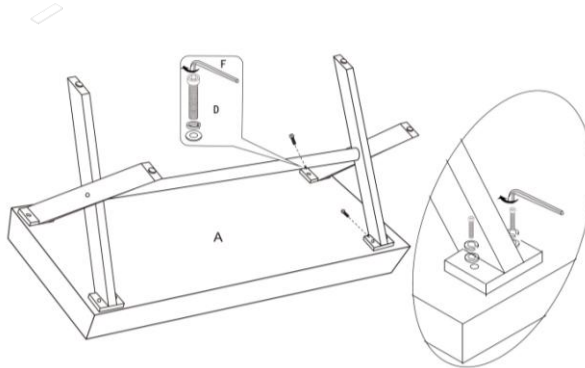
Assembly Instructions

Laying out all the parts and hardware and identifying each part as shown may help you as you assemble the bench.

ITEM	PART	DESC.	QTY	ITEM	PART	DESC.	QTY
A		Bench Top	1 PC	D		Short Screw & Round washer	8 SETS
B		Cross Acrylic Leg	2 PCS	E		Long Screw	2 PCS
C		Round Acrylic Bar	1 PCS	F		Allen Wrench	1 PC



Step 1: Assemble the cross legs (B) and round bar (C) with the long screws. Insert long screw (E) to cross legs (B) and tighten with allen wrench (F). Do the same for the other side.



Step 2: Insert the short screw and round washer (D) to ottoman top (A). Then tighten with allen wrench (F).



FULL VIEW

Finish: Turn the bench over and place on the floor to test bench for stability before use.