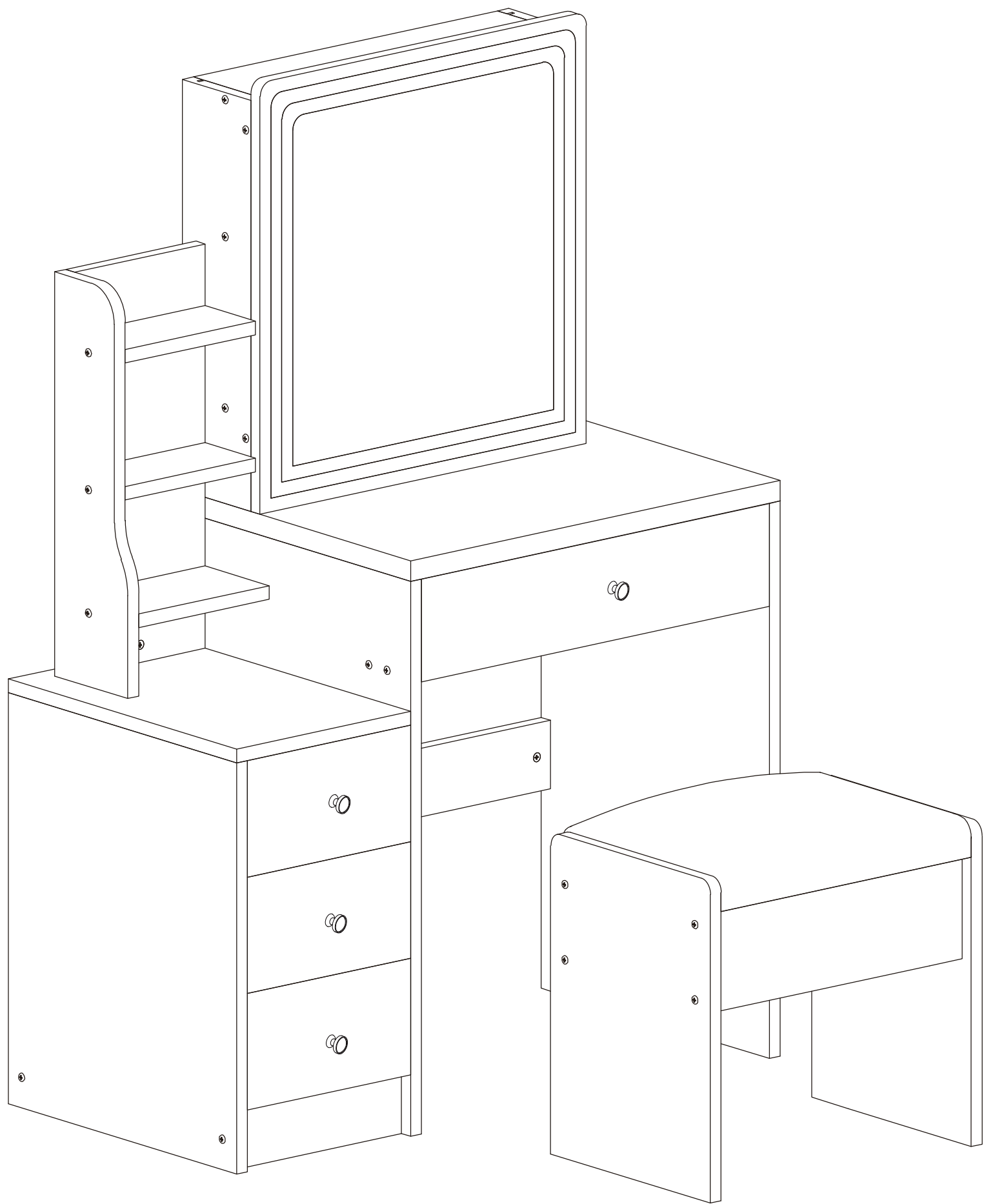


VANITY TABLE

918S-W-L, 918S-B-L
INSTALLATION



918s (small-sized) vanity tables have three version: simple, basic, and luxury.

Simple version: without mirror light, built-in socket, and hair dryer bracket, therefore there is no mirror light power plug, built-in socket, and hair dryer bracket in the accessories.

Basic version: with mirror light, without built-in socket, hair dryer stand. Therefore, there is no built-in socket and hair dryer stand in the accessories.

Luxury version: with mirror light, built-in socket, hair dryer stand, therefore, there are power plug, built-in socket, and hair dryer bracket in the accessories.

This is basic version 918s

Please notice:

Screw C is a drawer positioning pin that prevents the drawer from falling off when opened. After installation, please confirm that all positioning screws C have been installed.





Before assembly please scan the code to get the installation video.



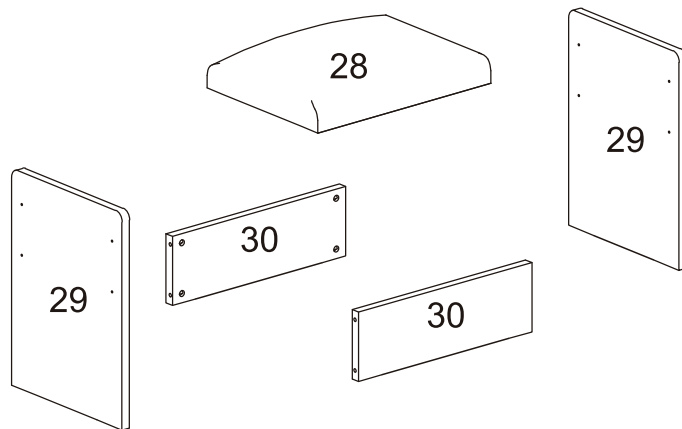
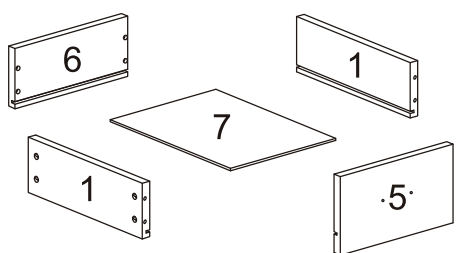
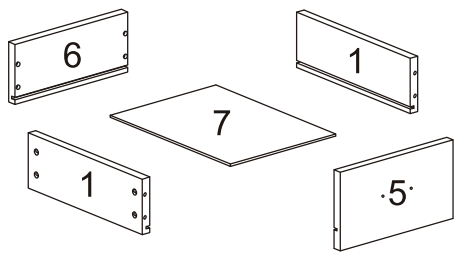
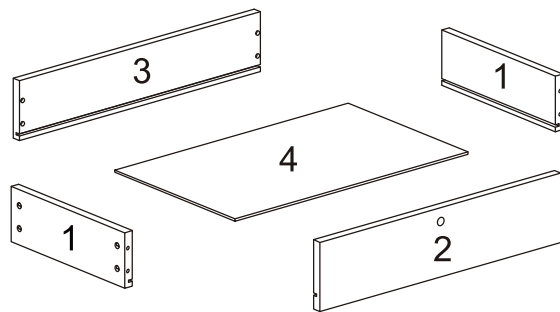
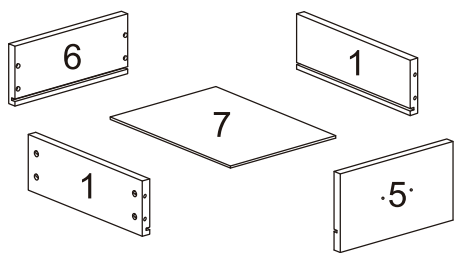
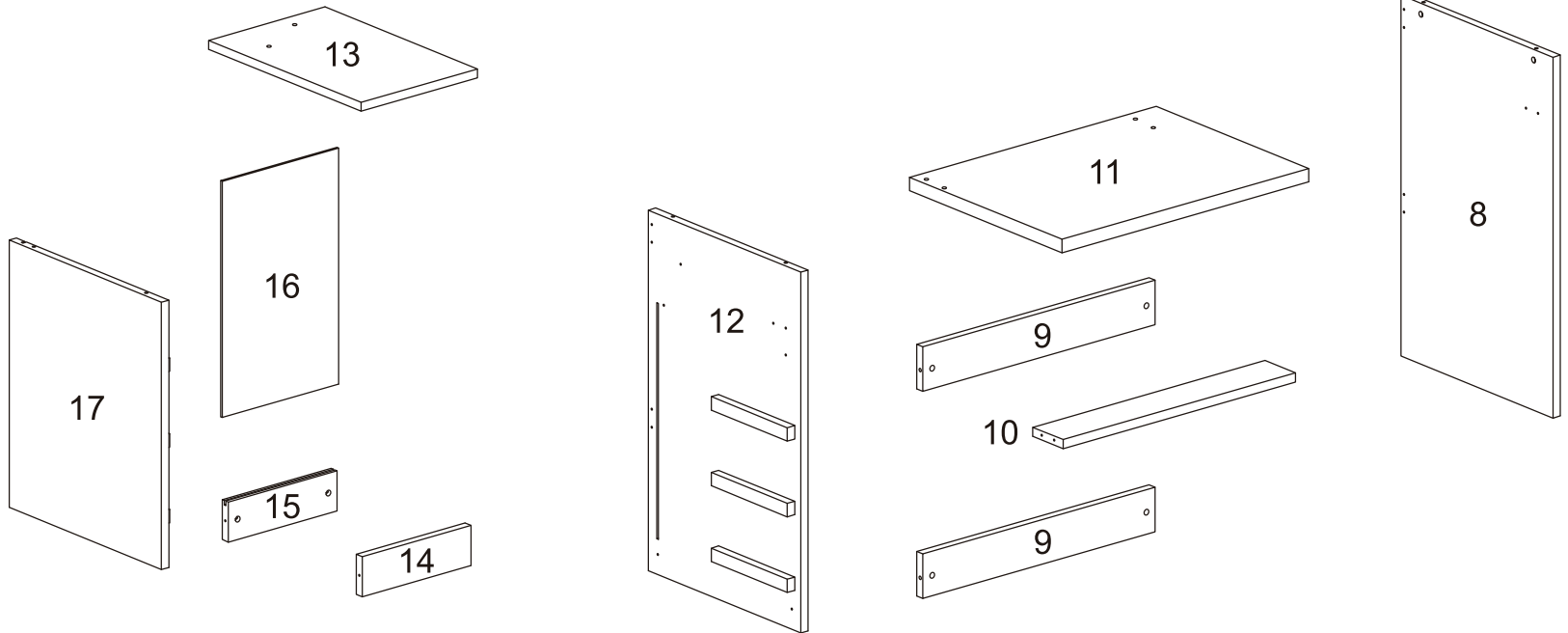
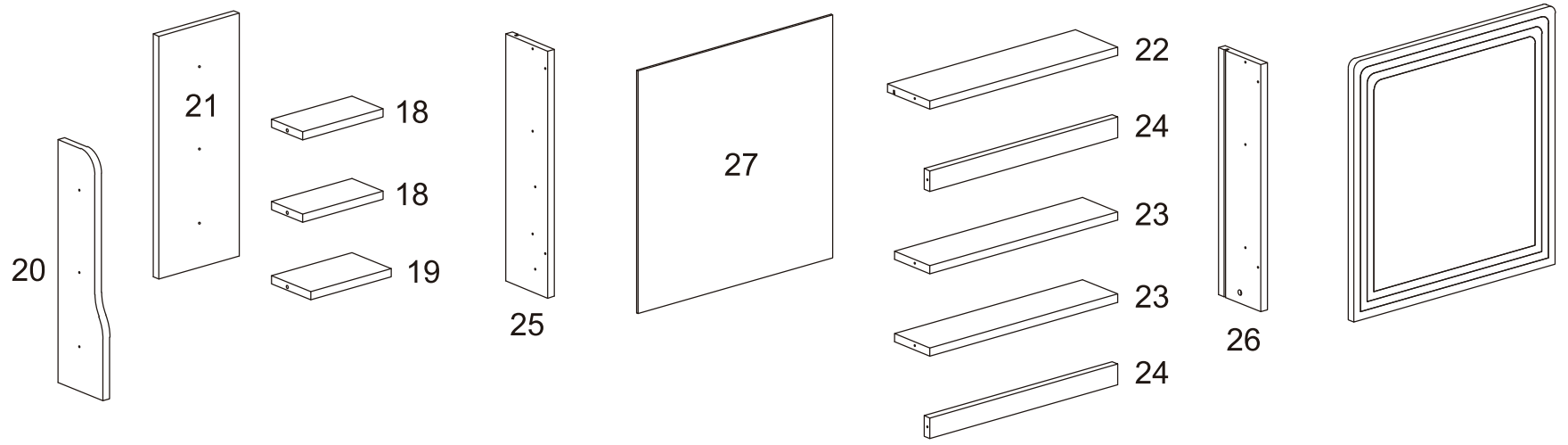
How to install the rail and mirror? please scan the code to get the video.



How to adjust the mirror light? please scan the code to get the video.



918s real show video.



1 - x8	16 - x1
2 - x1	17 - x1
3 - x1	18 - x2
4 - x1	19 - x1
5 - x3	20 - x1
6 - x3	21 - x1
7 - x3	22 - x1
8 - x1	23 - x2
9 - x2	24 - x2
10 - x1	25 - x1
11 - x1	26 - x1
12 - x1	27 - x1
13 - x1	28 - x1
14 - x1	29 - x2
15 - x1	30 - x2



1 -x8



2 -x1



3 -x1



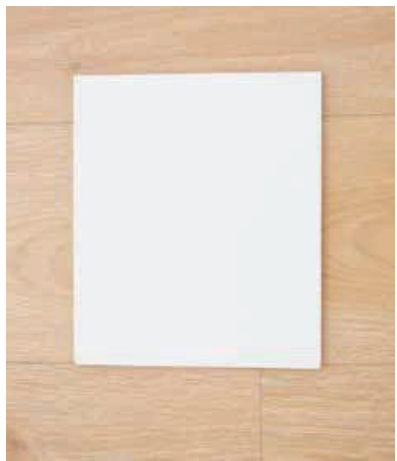
4 -x1



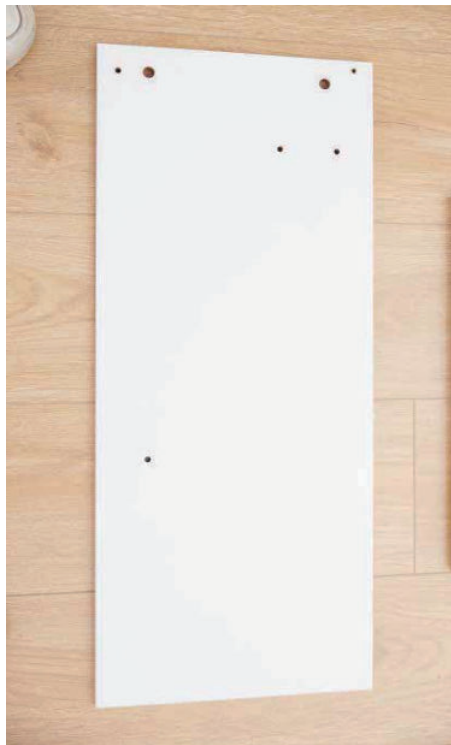
5 -x3



6 -x3



7 -x3



8 -x1



9 -x2



10 -x1



11 -x1



12 -x1



13 -x1



14 -x1



15 -x1



16 -x1



17 -x1



18 -x2



19 -x1



20 -x1



21 -x1



22 -x1



23 -x2



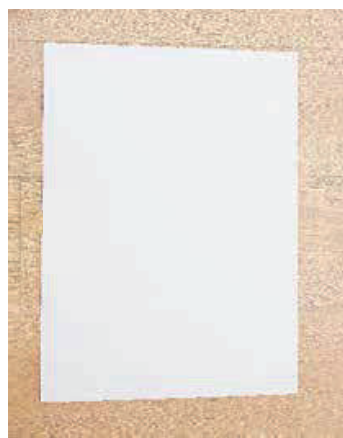
24 -x2



25 -x1



26 -x1



27 -x1



28 -x1



29 -x2



30 -x2



31 -x1

HARDWARE



A	SCREW & PLASTIC LOCK	X 46
---	----------------------	------



B	SCREW & METAL LOCK	X 46
---	--------------------	------



C	SCREW	X 8
---	-------	-----



D	SCREW	X 16
---	-------	------



E	HANDLE	X 4
---	--------	-----



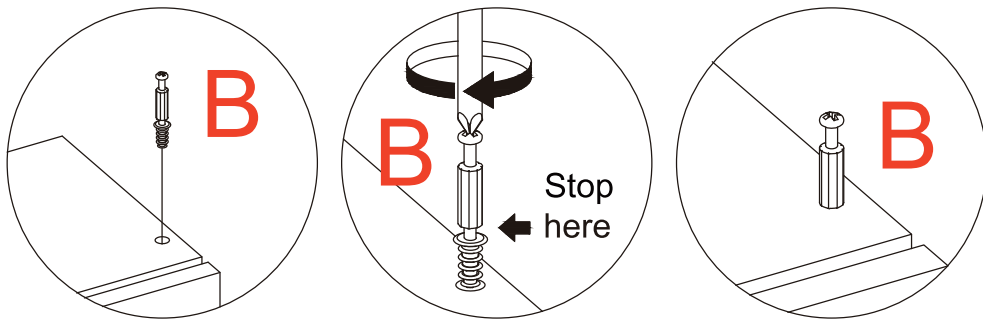
G	L PLATE	X 2
---	---------	-----



J	RAIL	X 2
---	------	-----

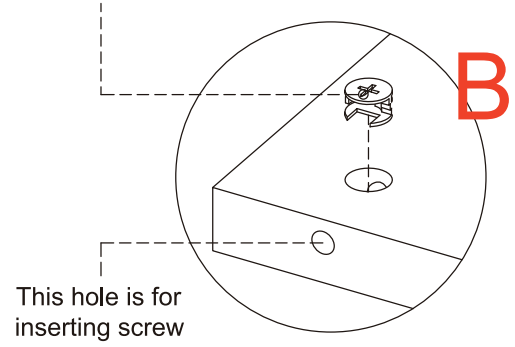
1. Screw installation method

When the screw is installed, please keep it in line with the board, and do not tighten it too tightly

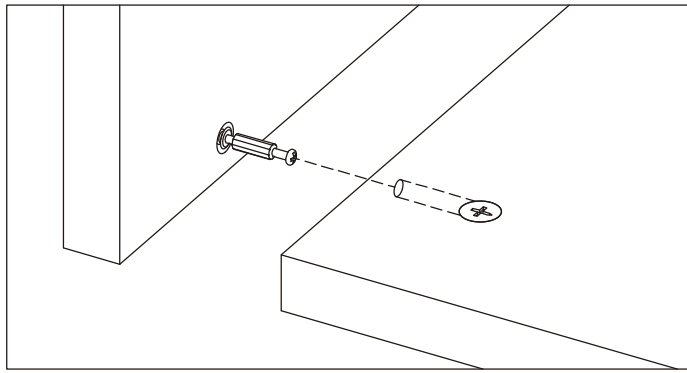


2. Check the Nut direction

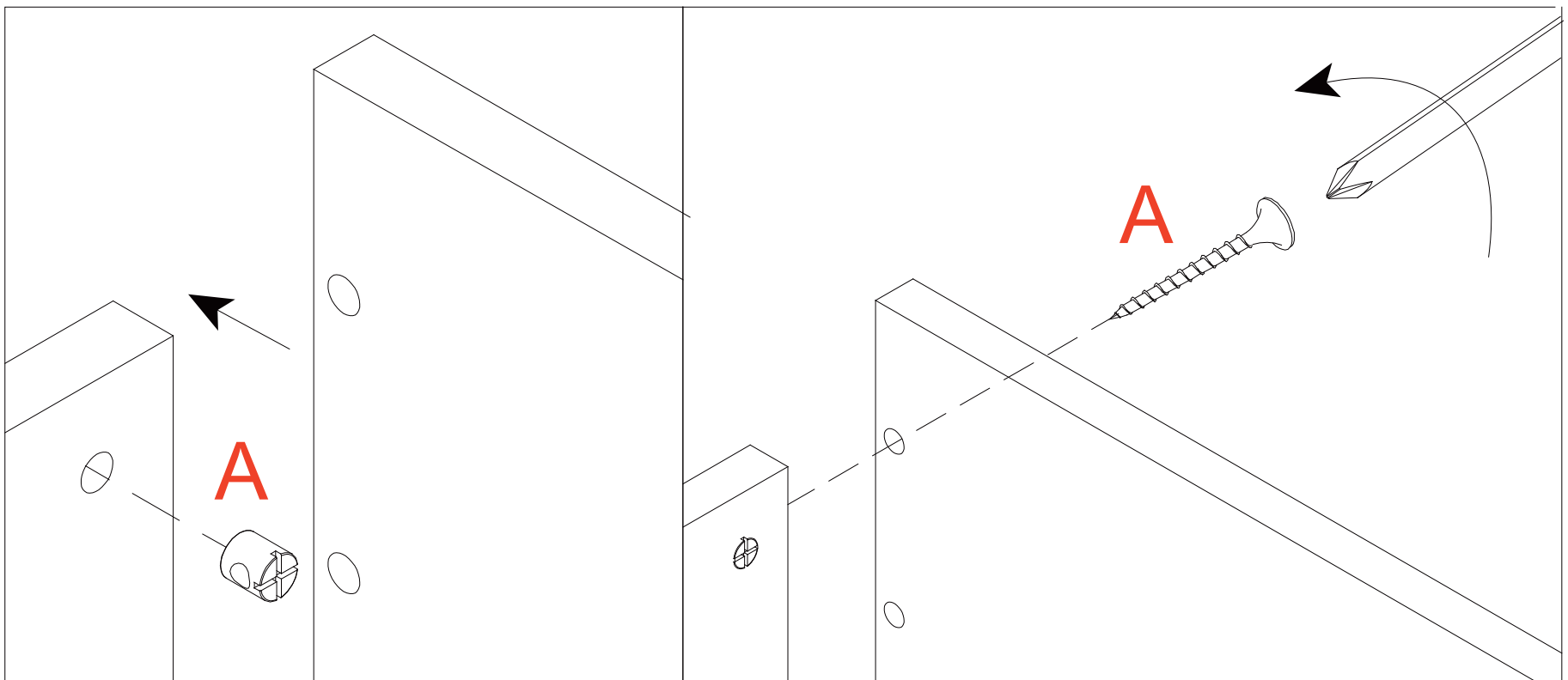
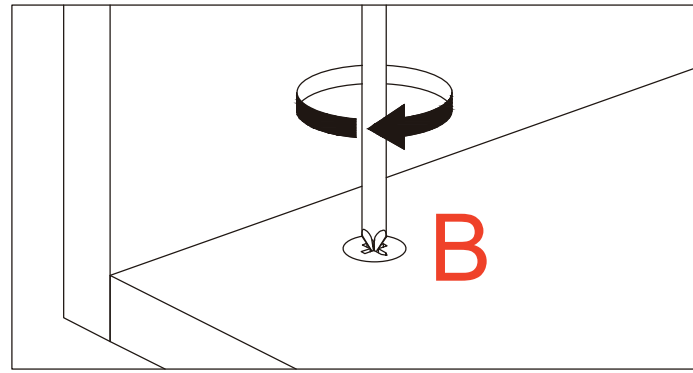
This direction of the marked nut is consistent with the direction in which the screw is inserted



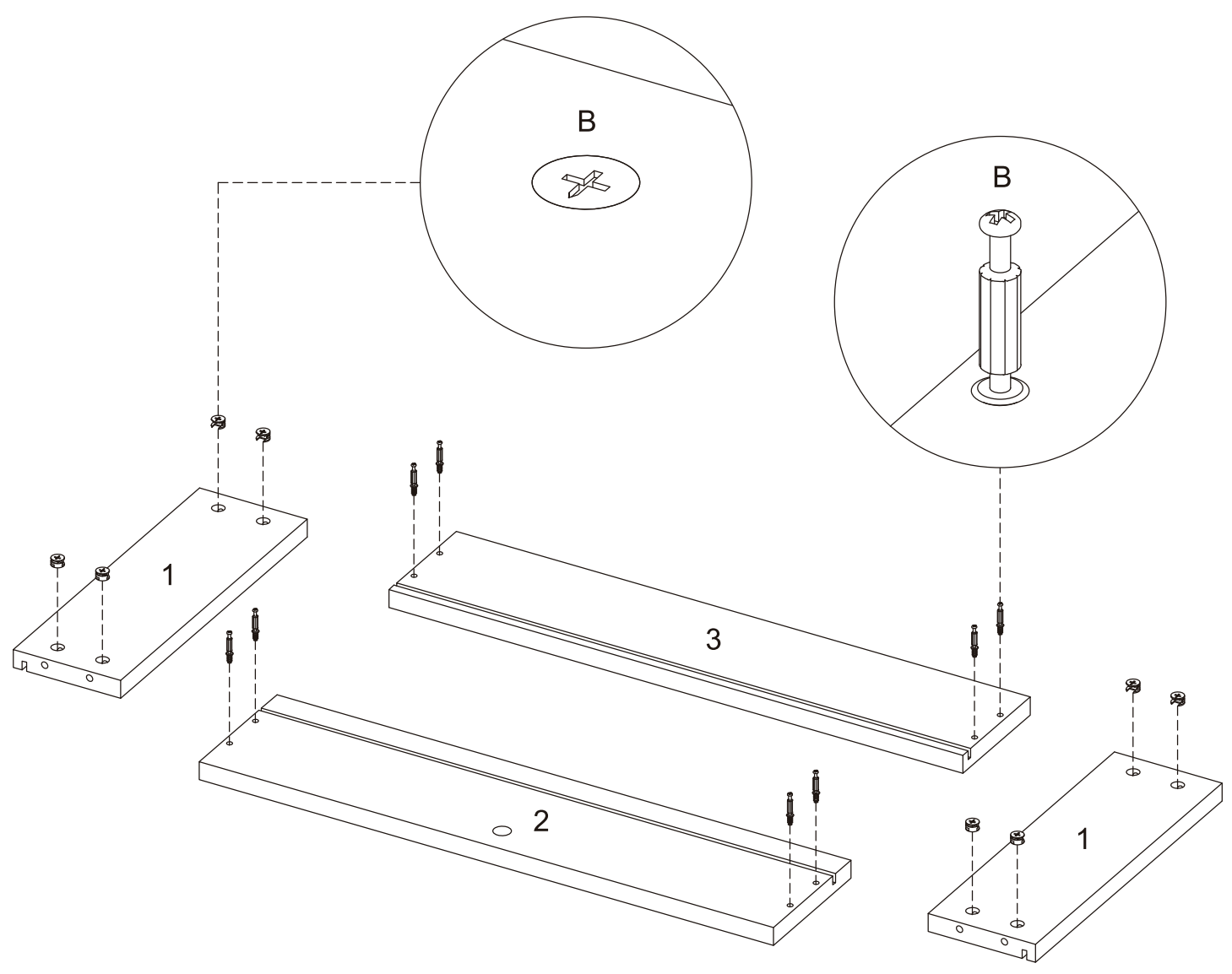
3. Installation on the board with fixing screws



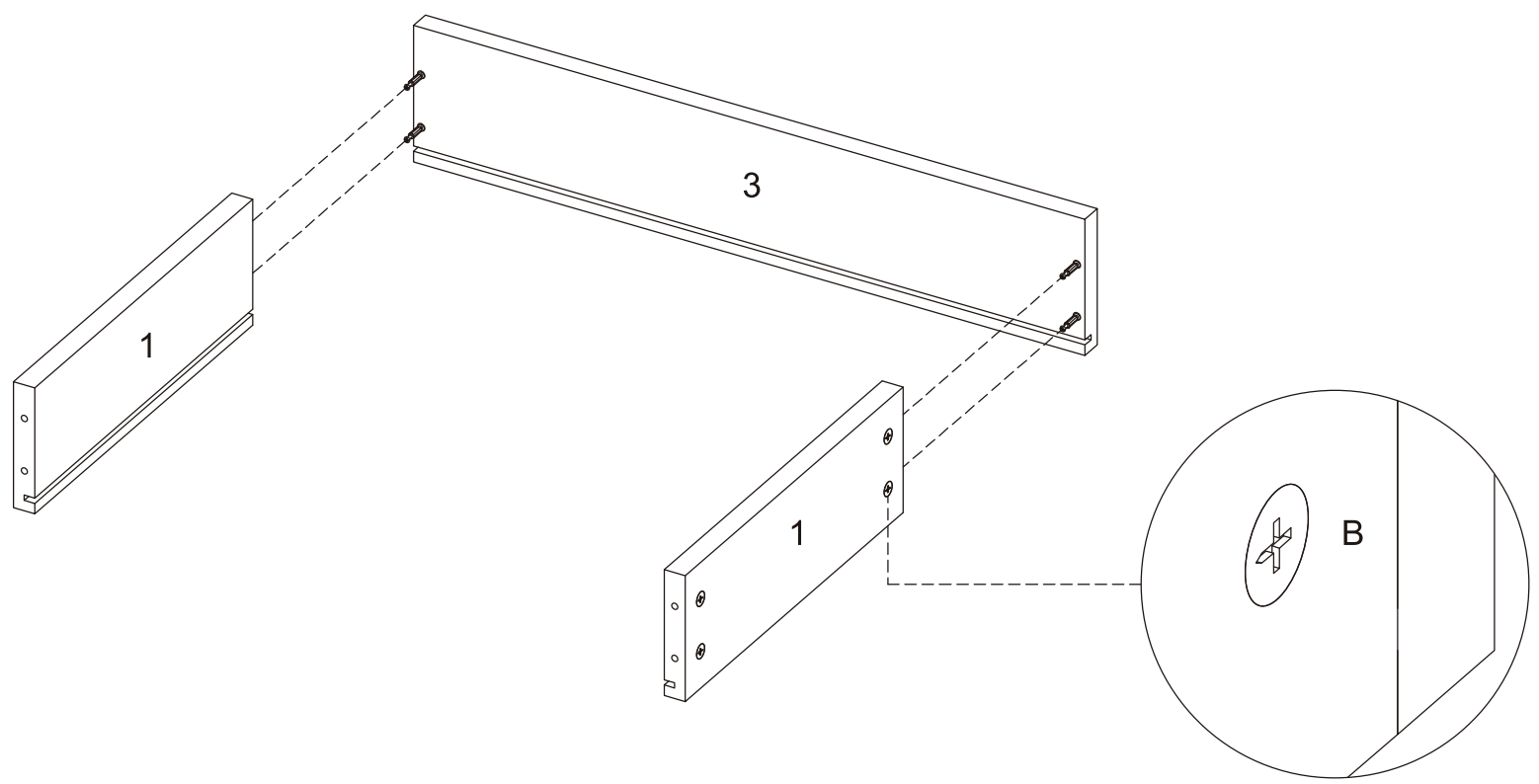
3. Rotate slowly until it stops



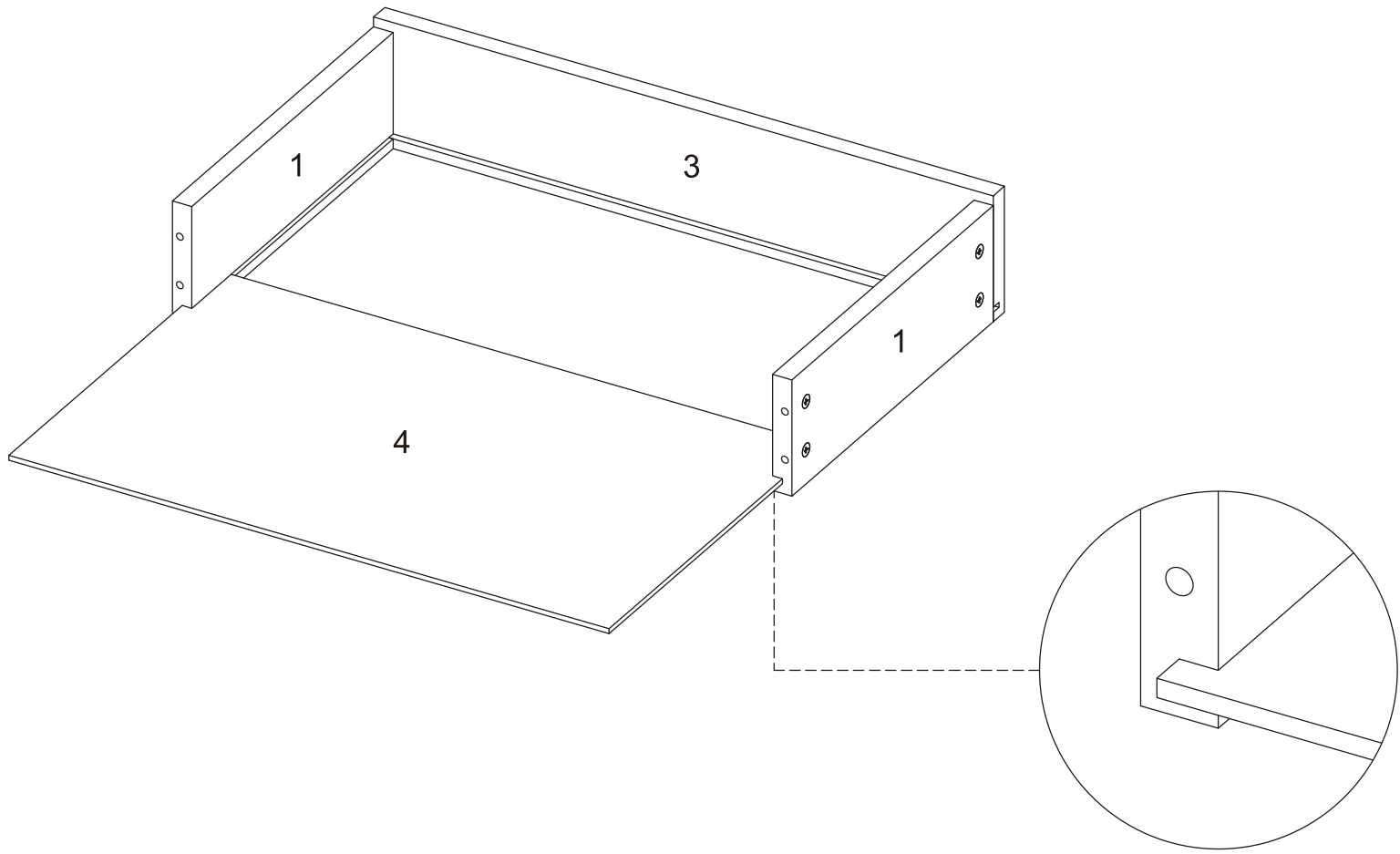
Step 01 pick up ①x2, ②x1, ③x1, ④x1



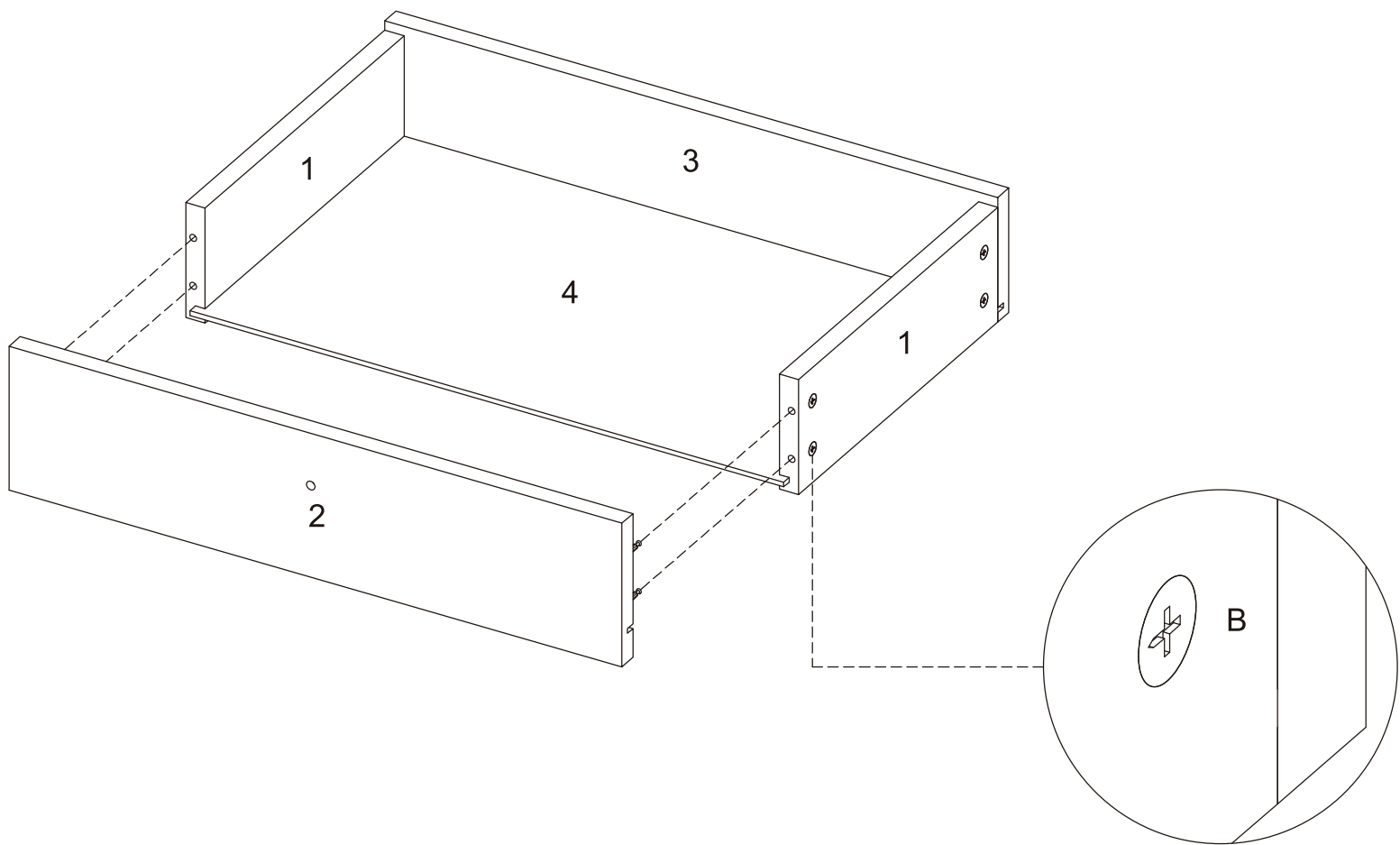
Step 02



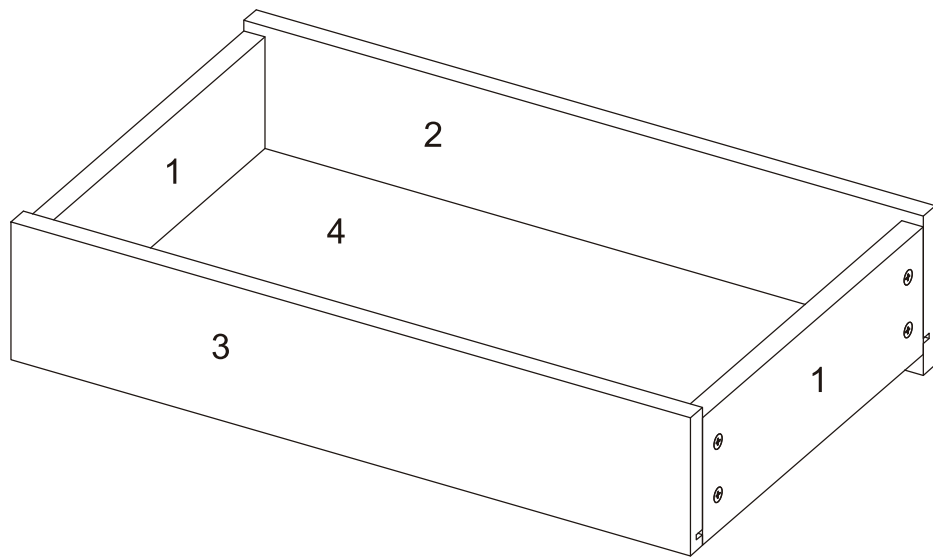
Step 03



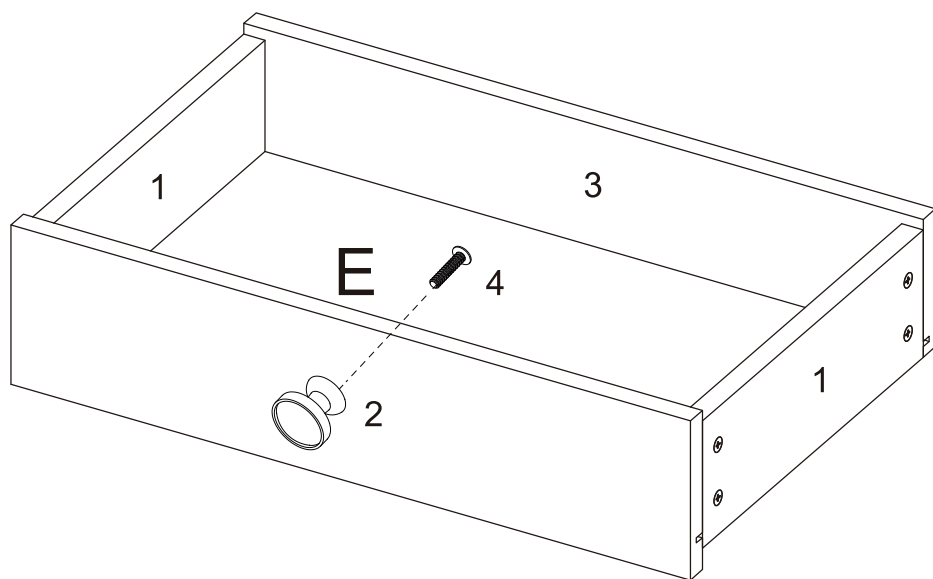
Step 04



Step 05

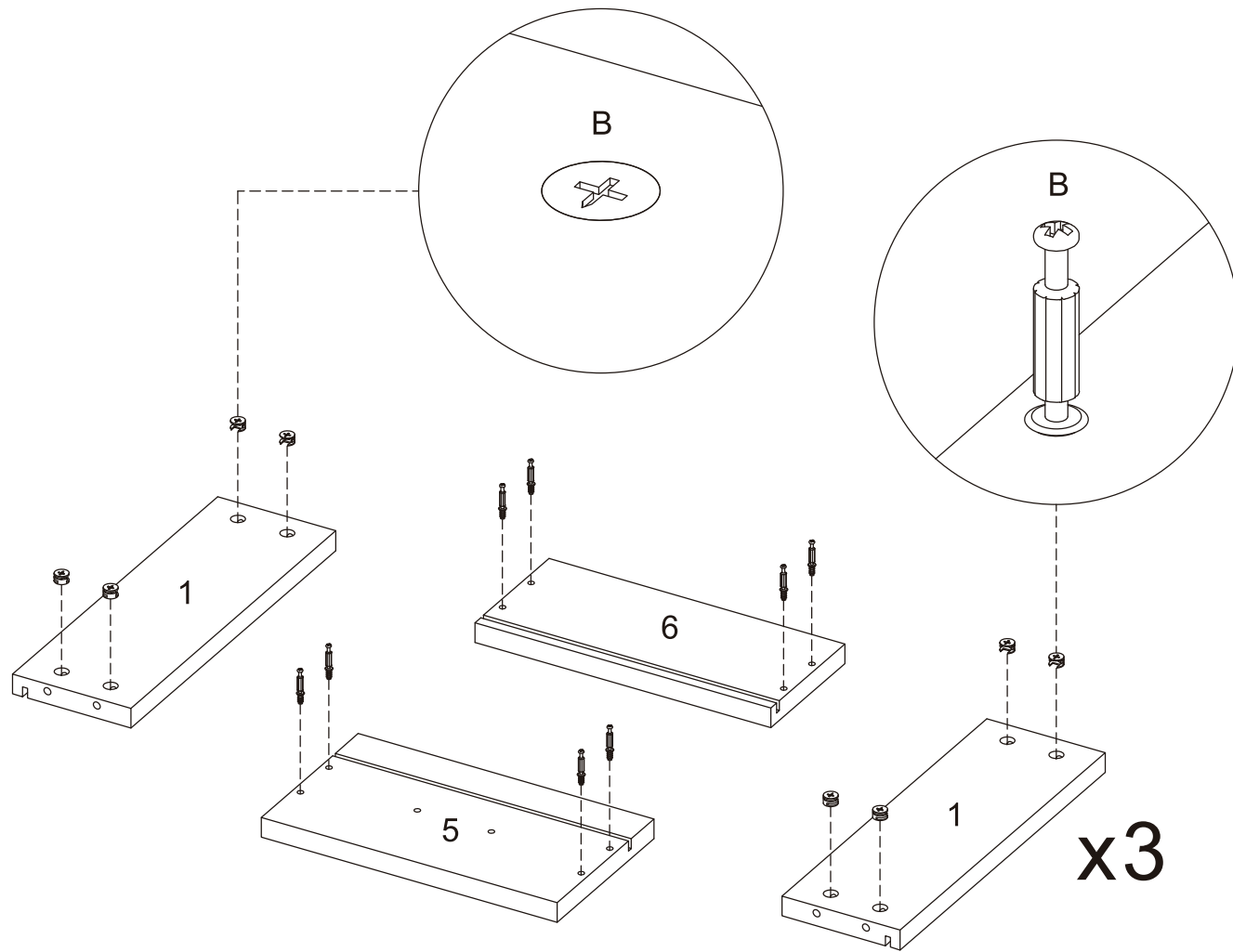


Step 06

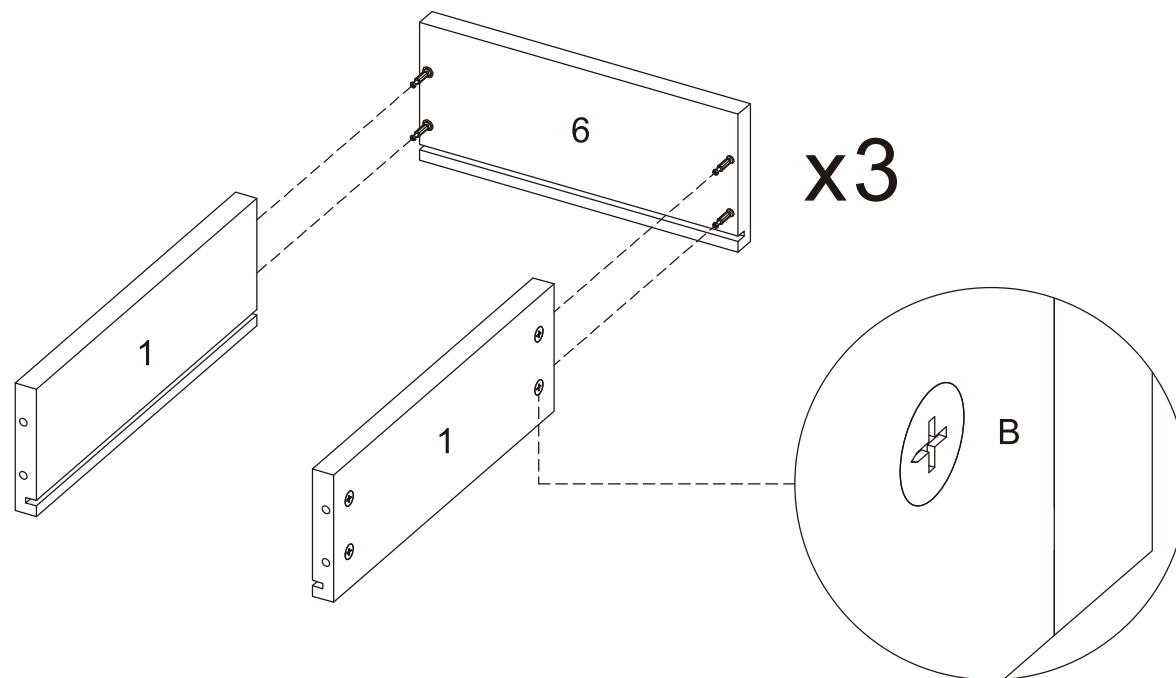


Step 07

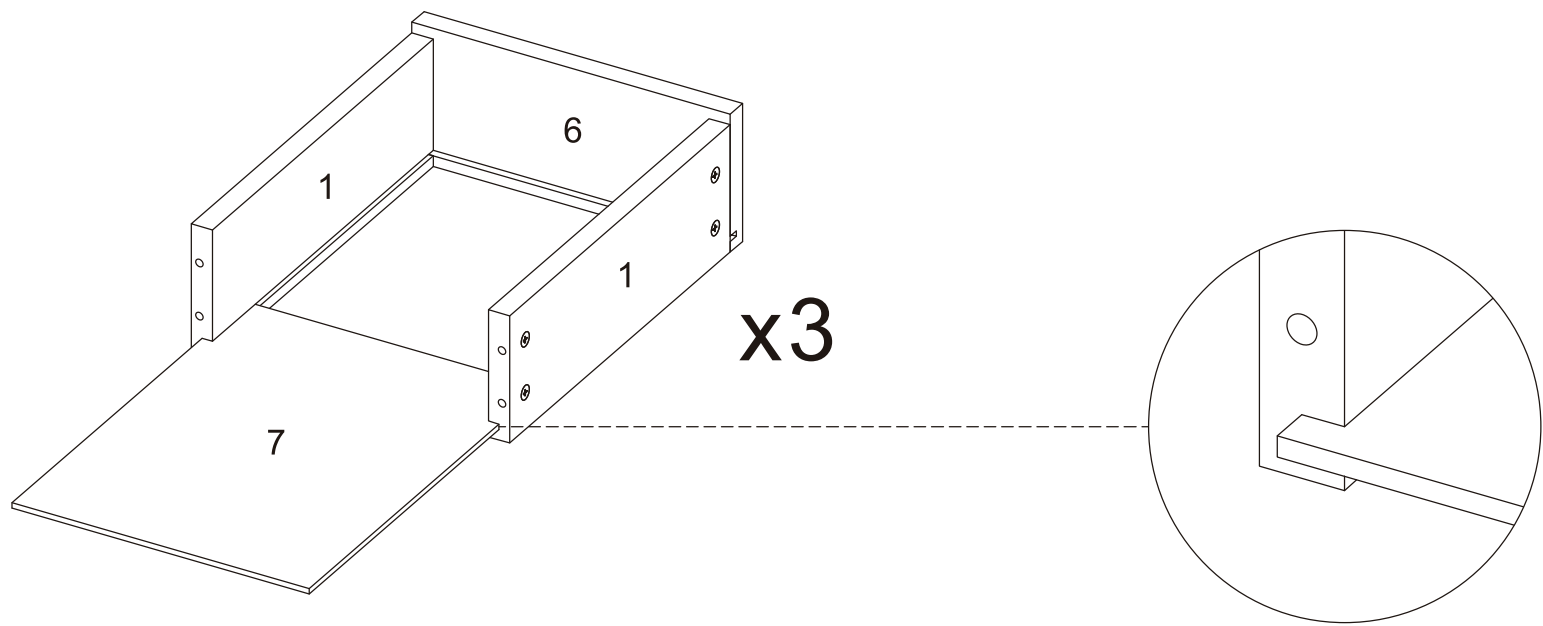
pick up ①x6, ⑤x3, ⑥x3, ⑦x3



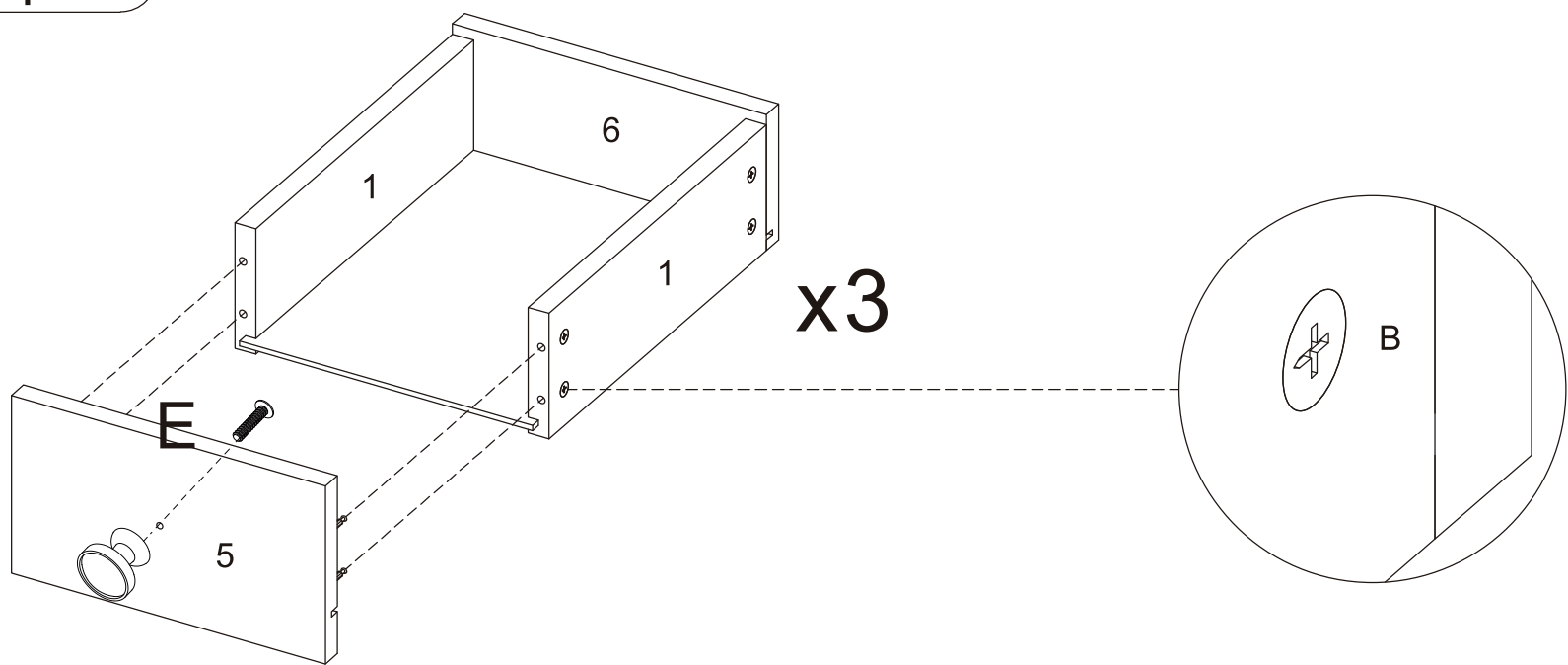
Step 08



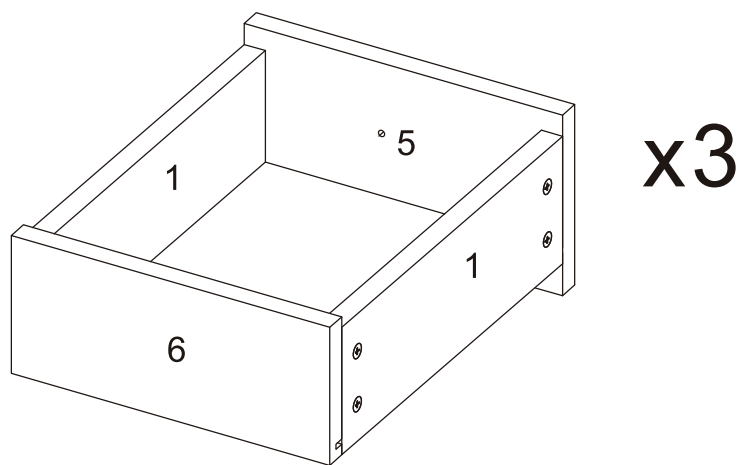
Step 09



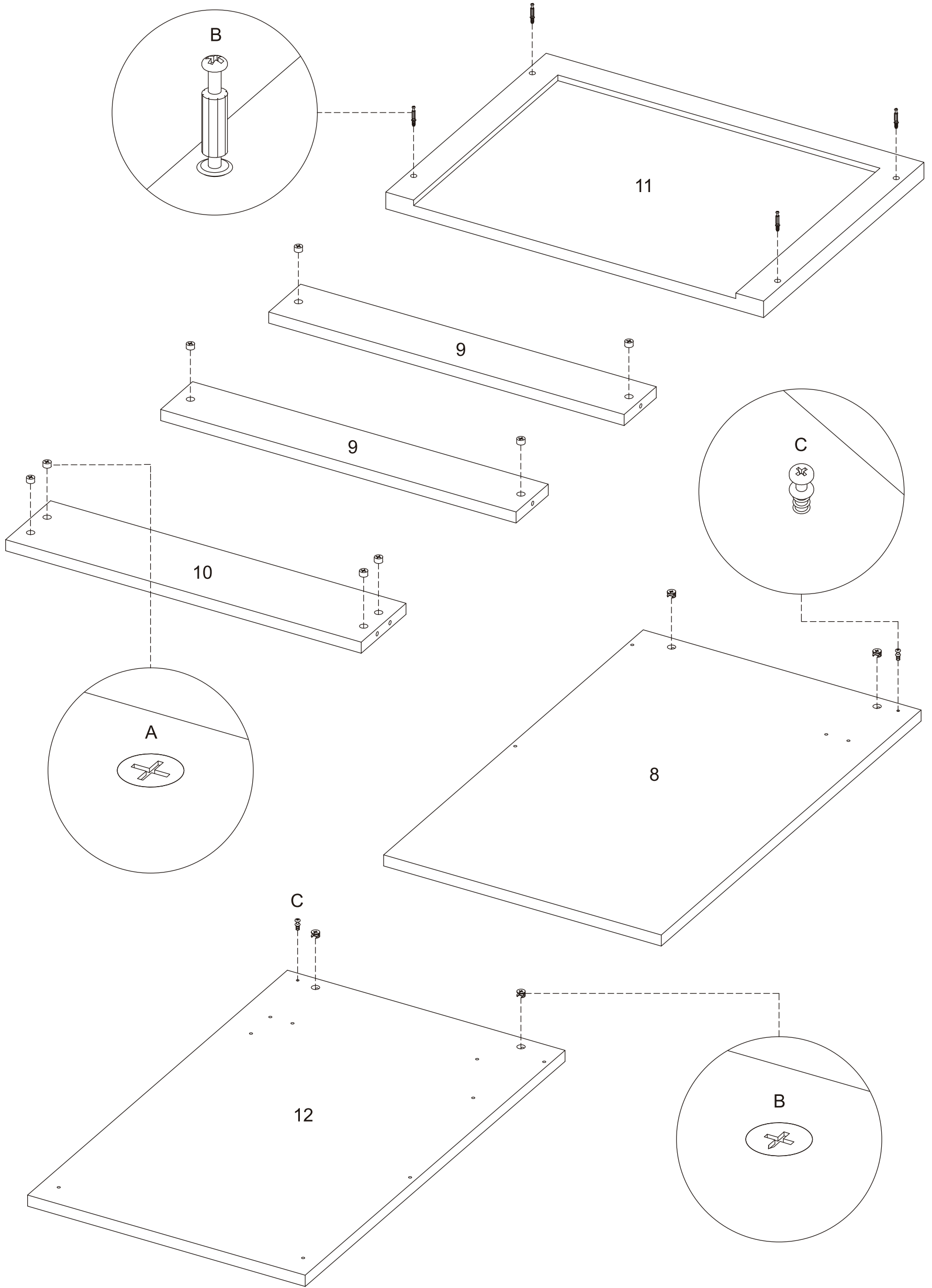
Step 10



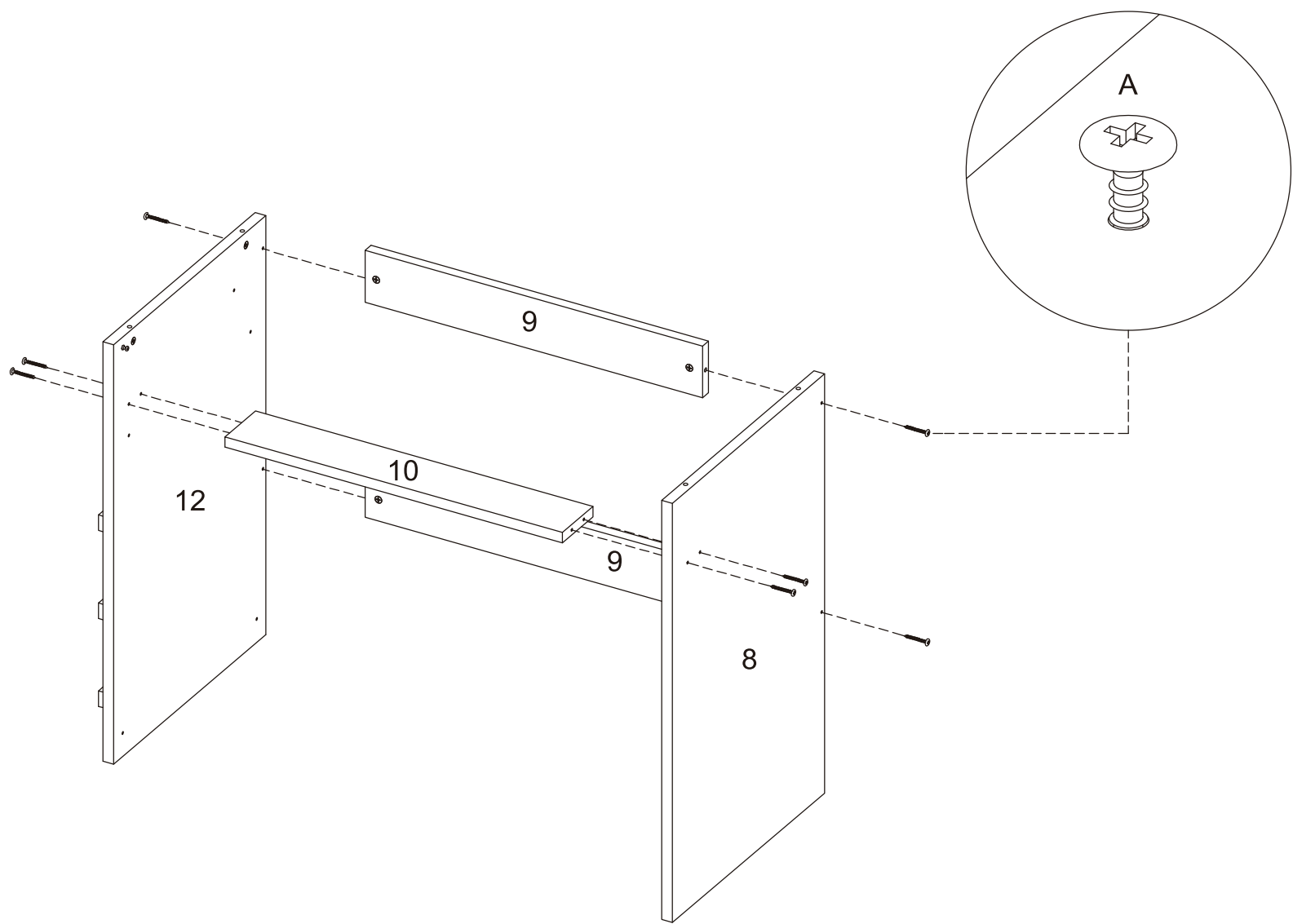
Step 11



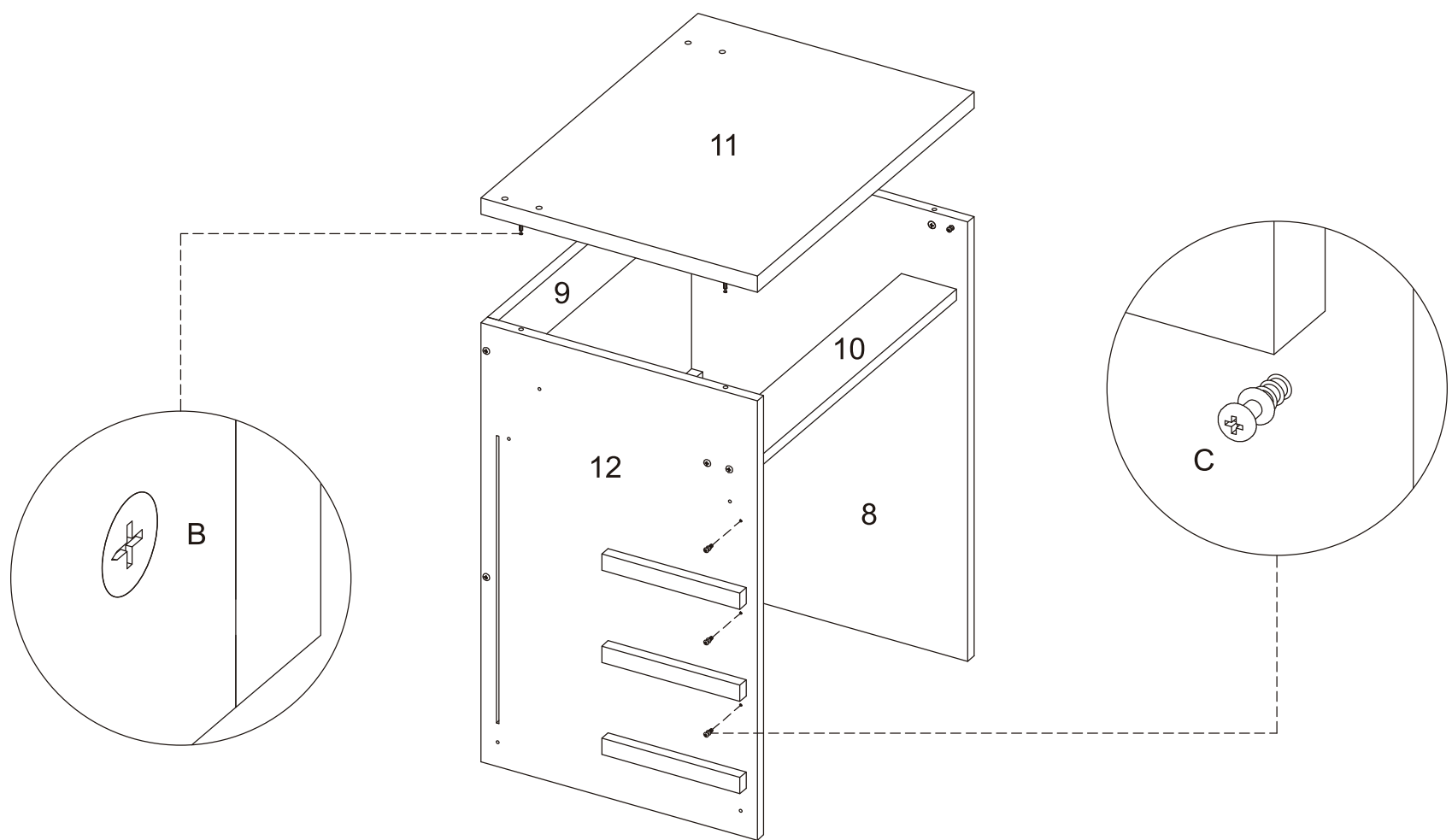
Step 12 pick up ⑧x1, ⑨x2, ⑩x1, ⑫x1, ⑪x1



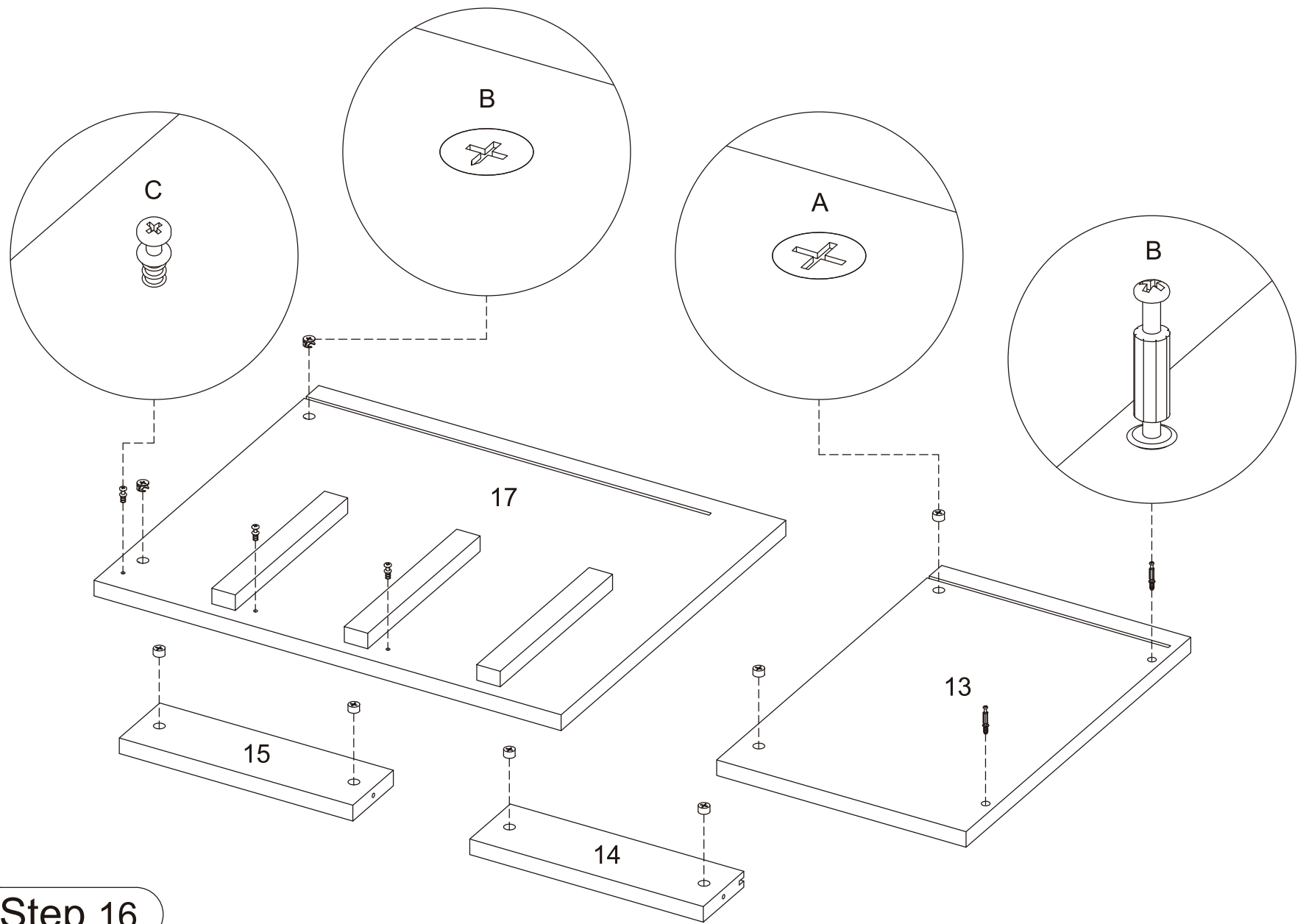
Step 13



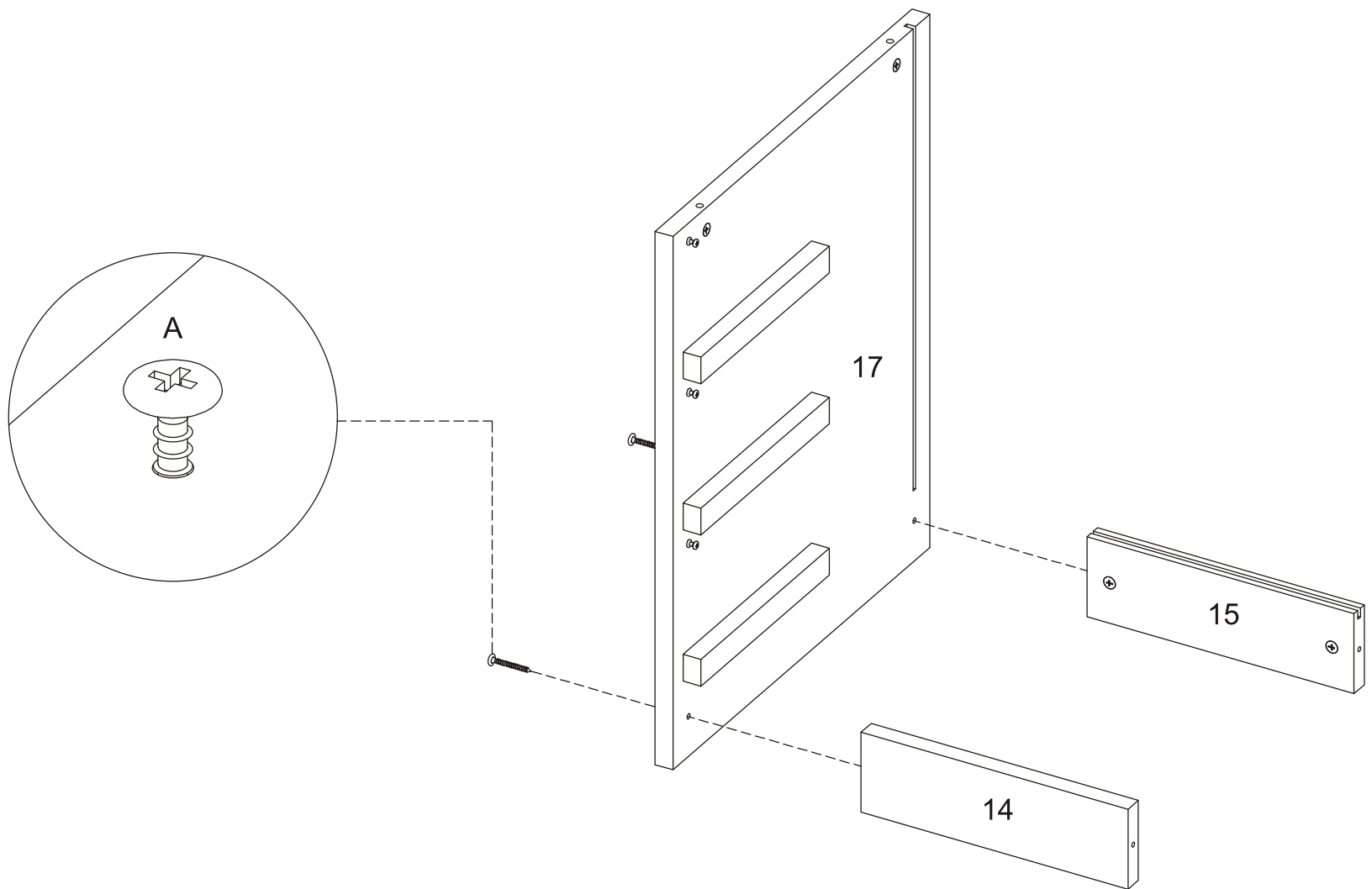
Step 14



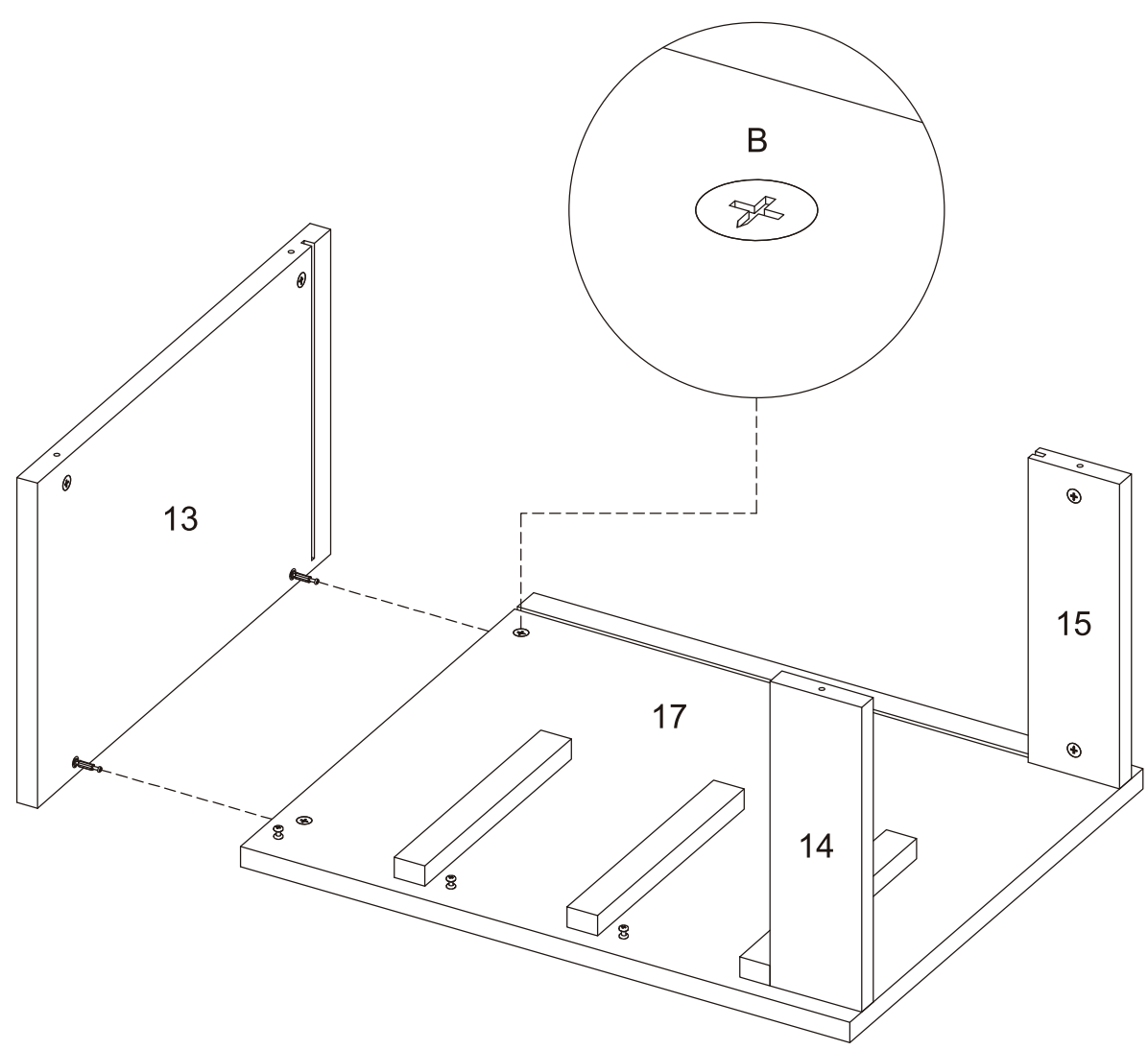
Step 15 pick up (13) x1, (14) x1, (15) x1, (16) x1, (17) x1



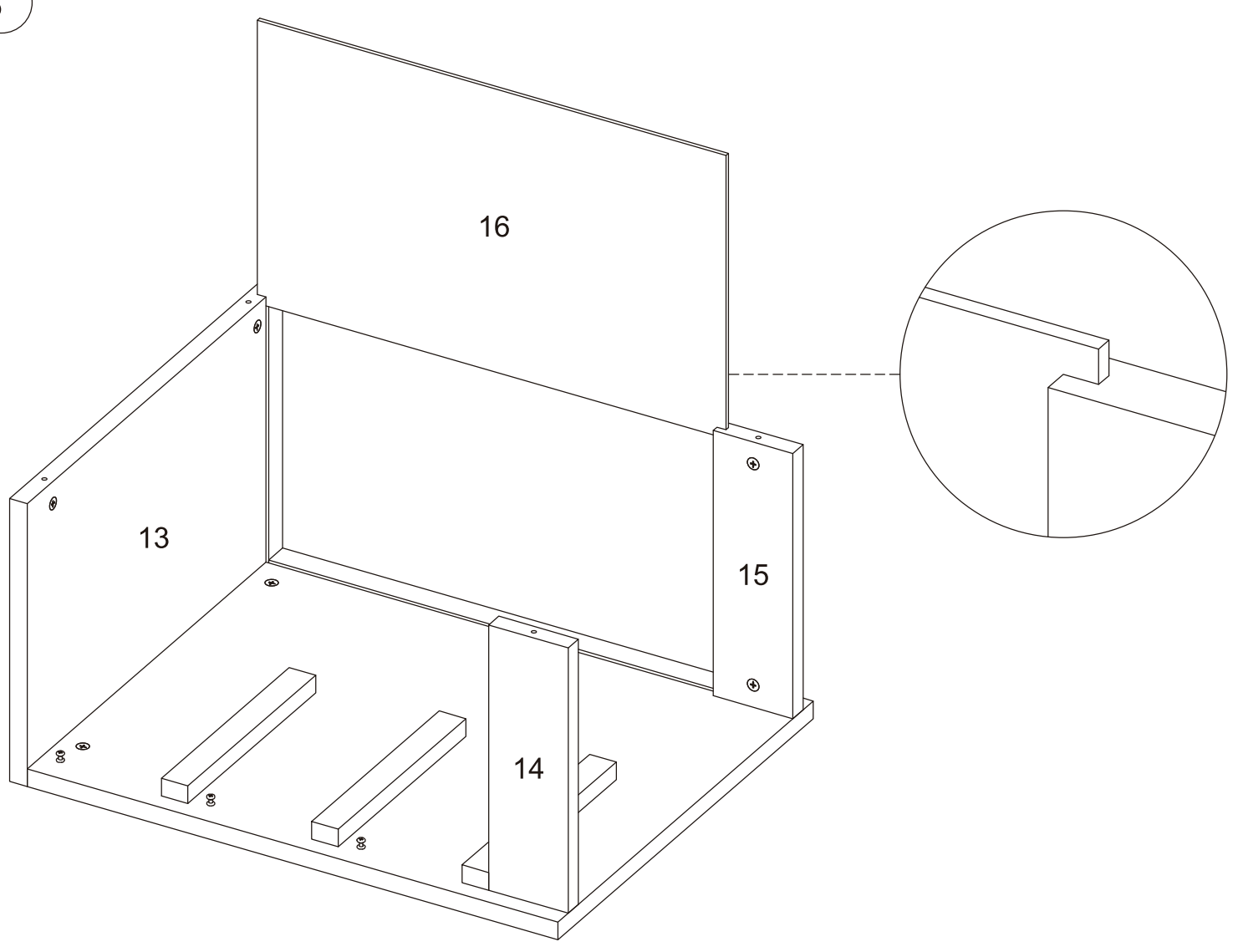
Step 16



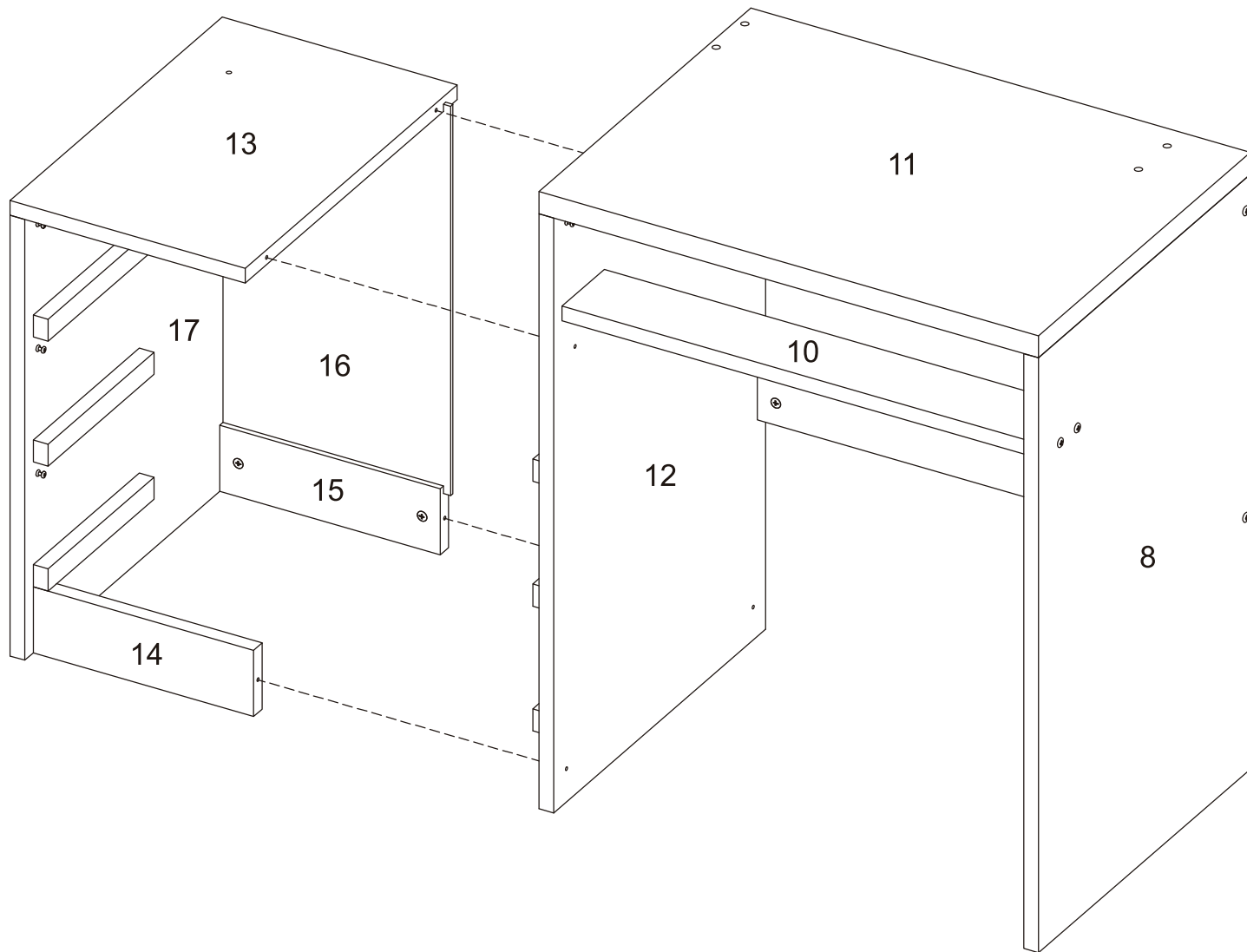
Step 17



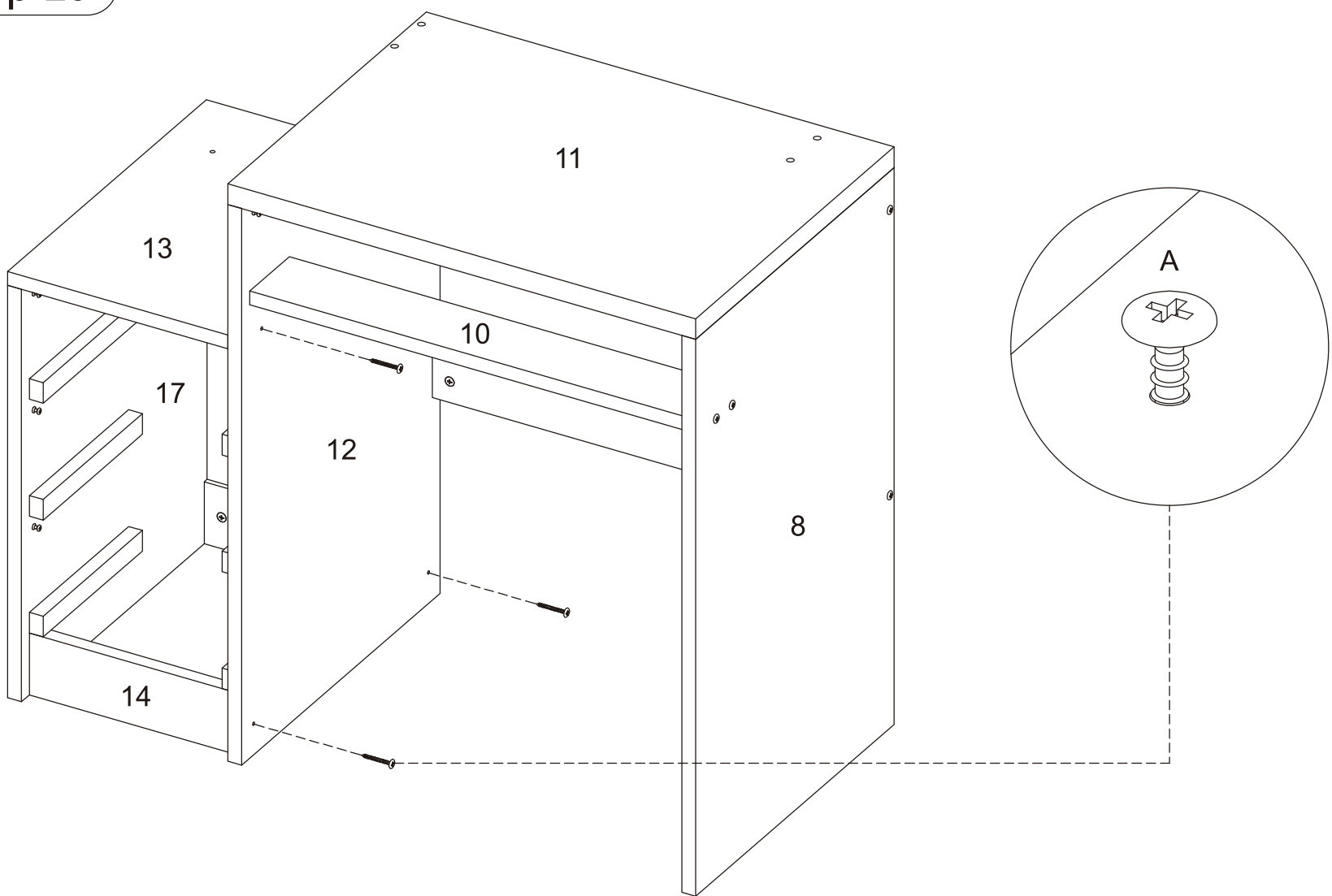
Step 18



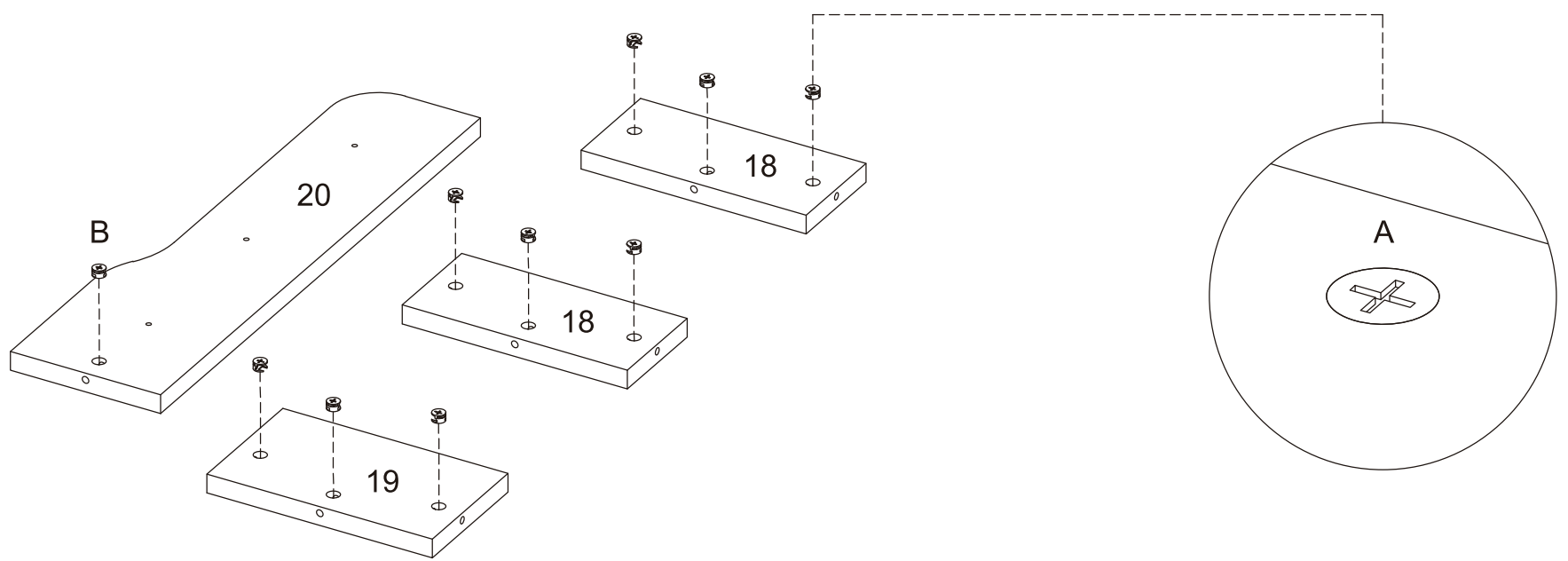
Step 19



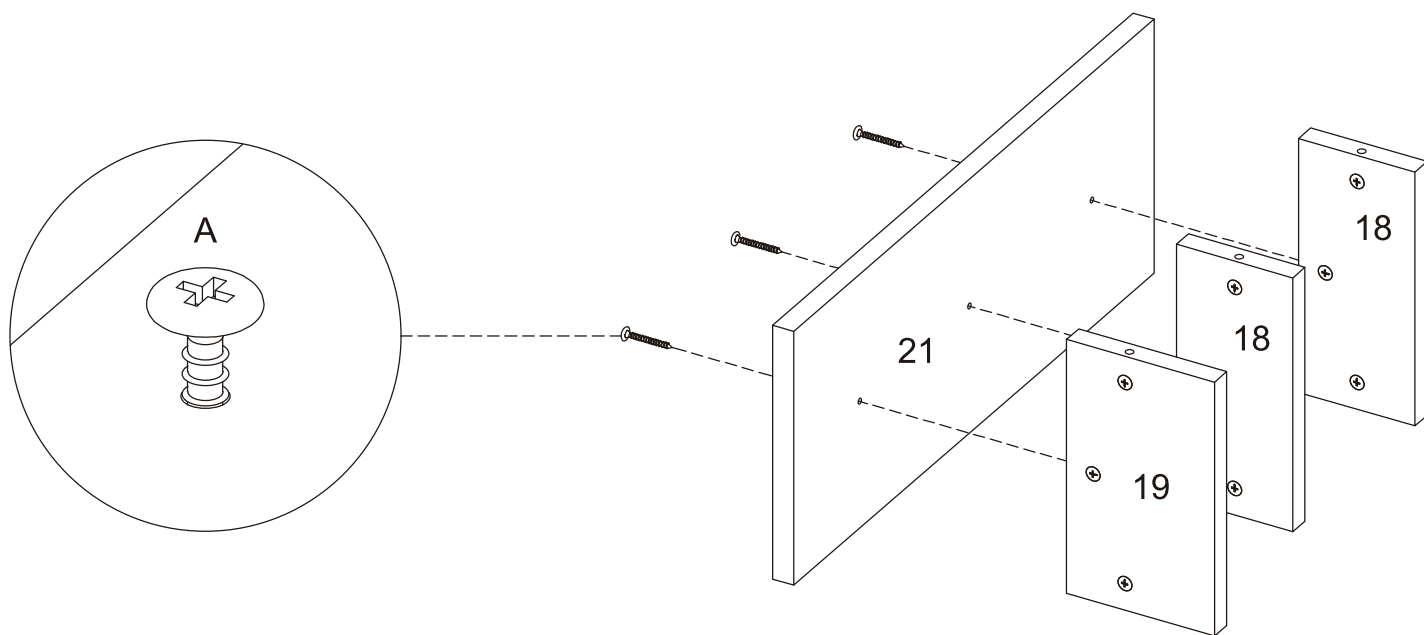
Step 20



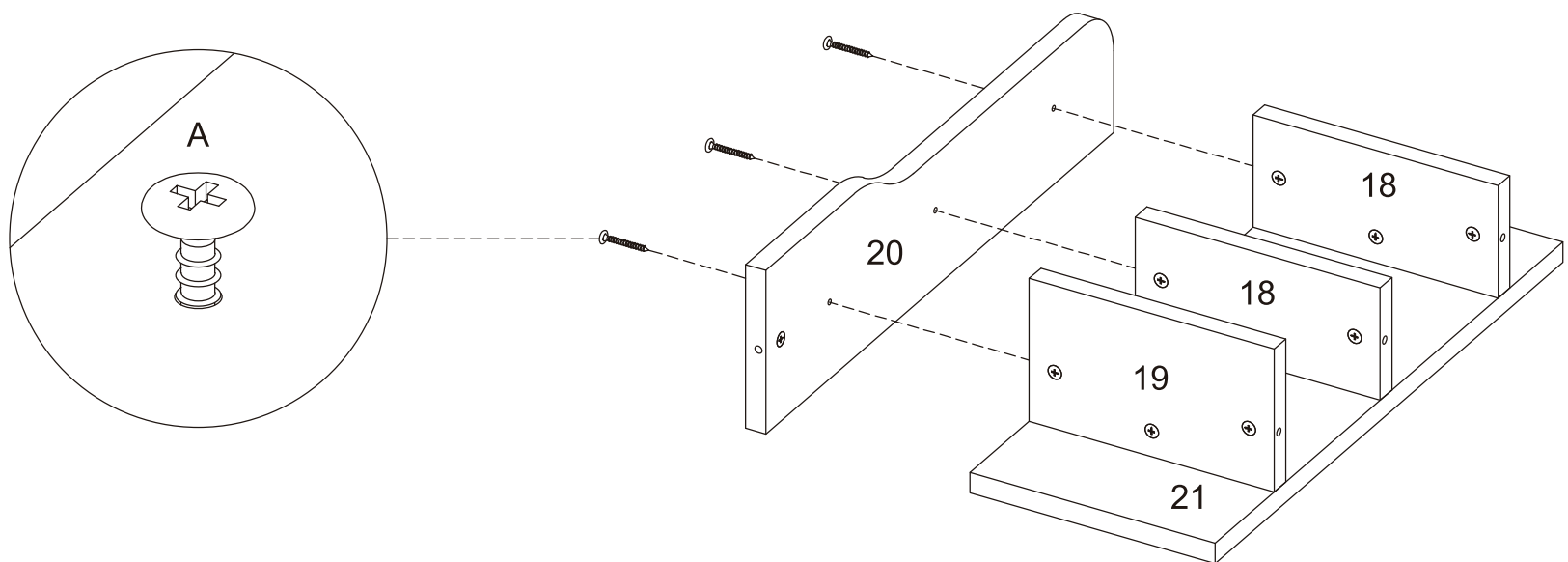
Step 21 pick up (18) x2, (19) x1, (20) x1, (21) x1



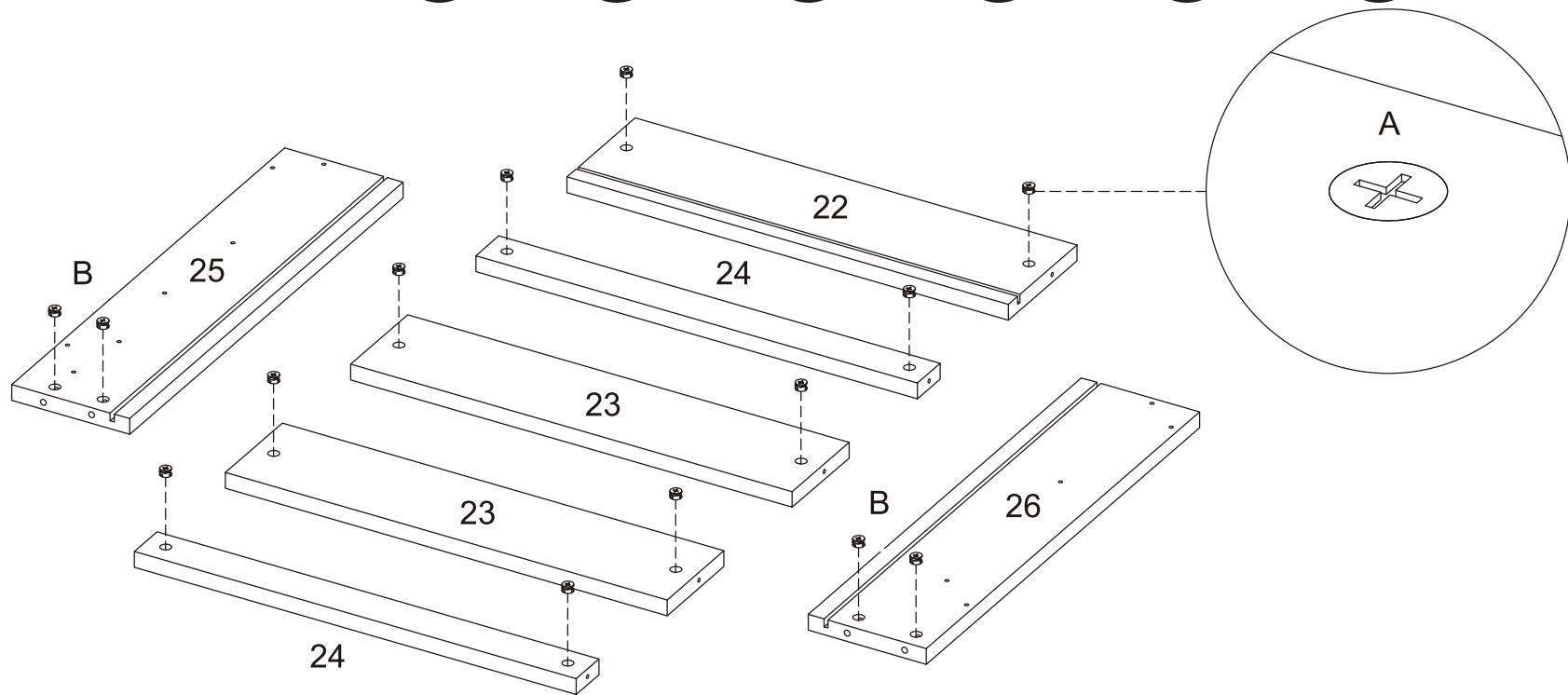
Step 22



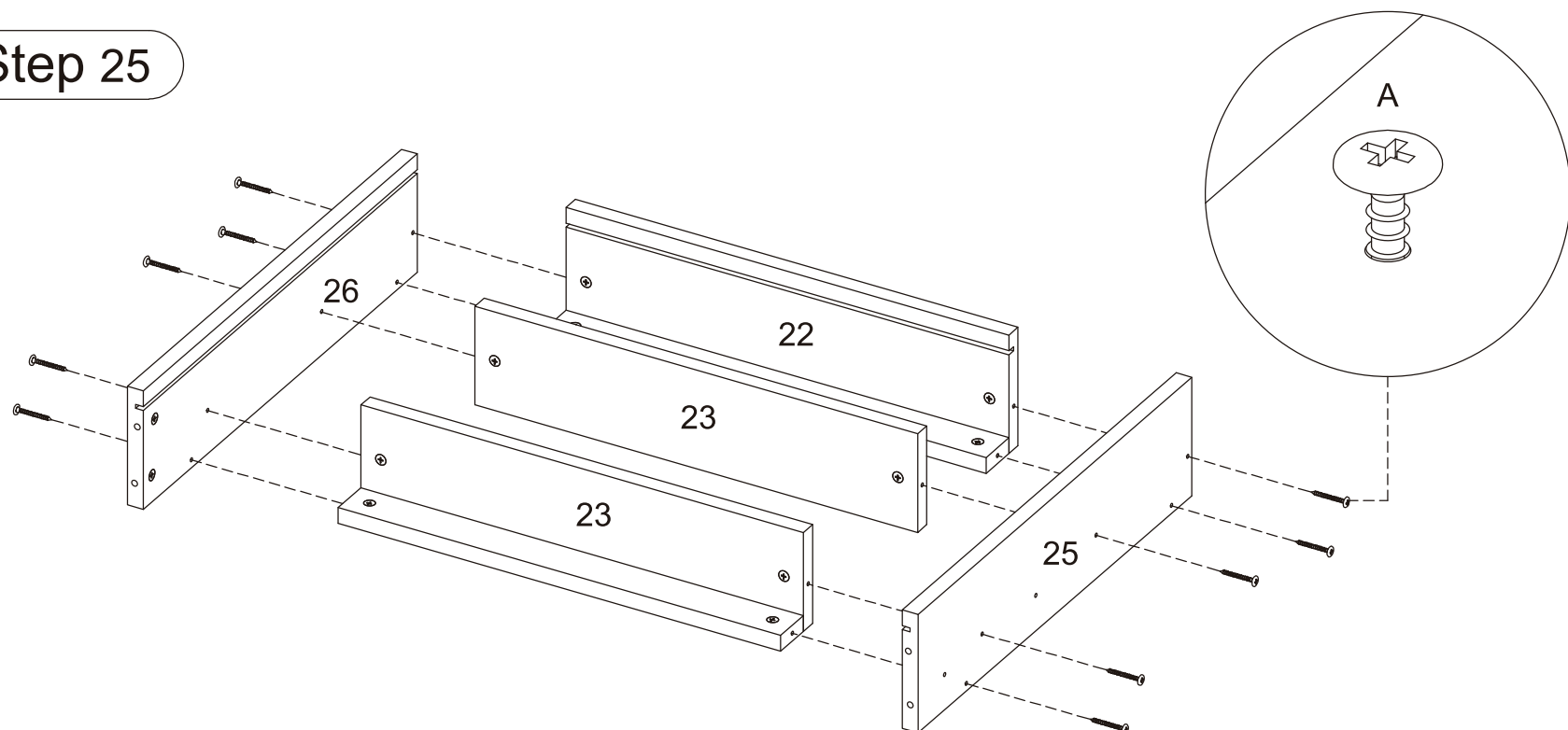
Step 23



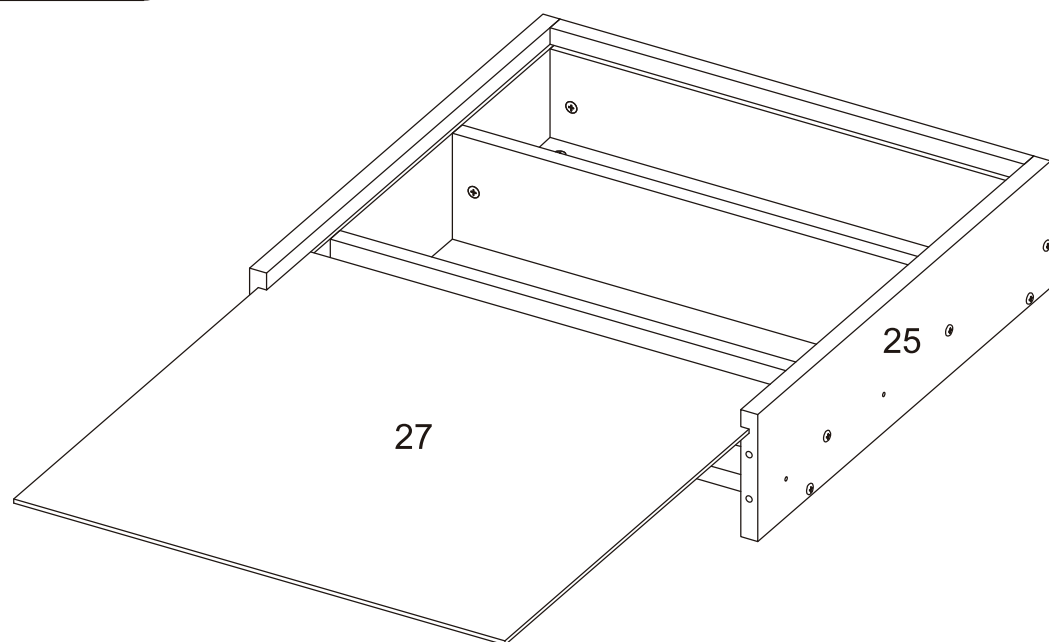
Step 24 pick up (22) x1, (23) x2, (24) x2, (25) x1, (26) x1, (27) x1



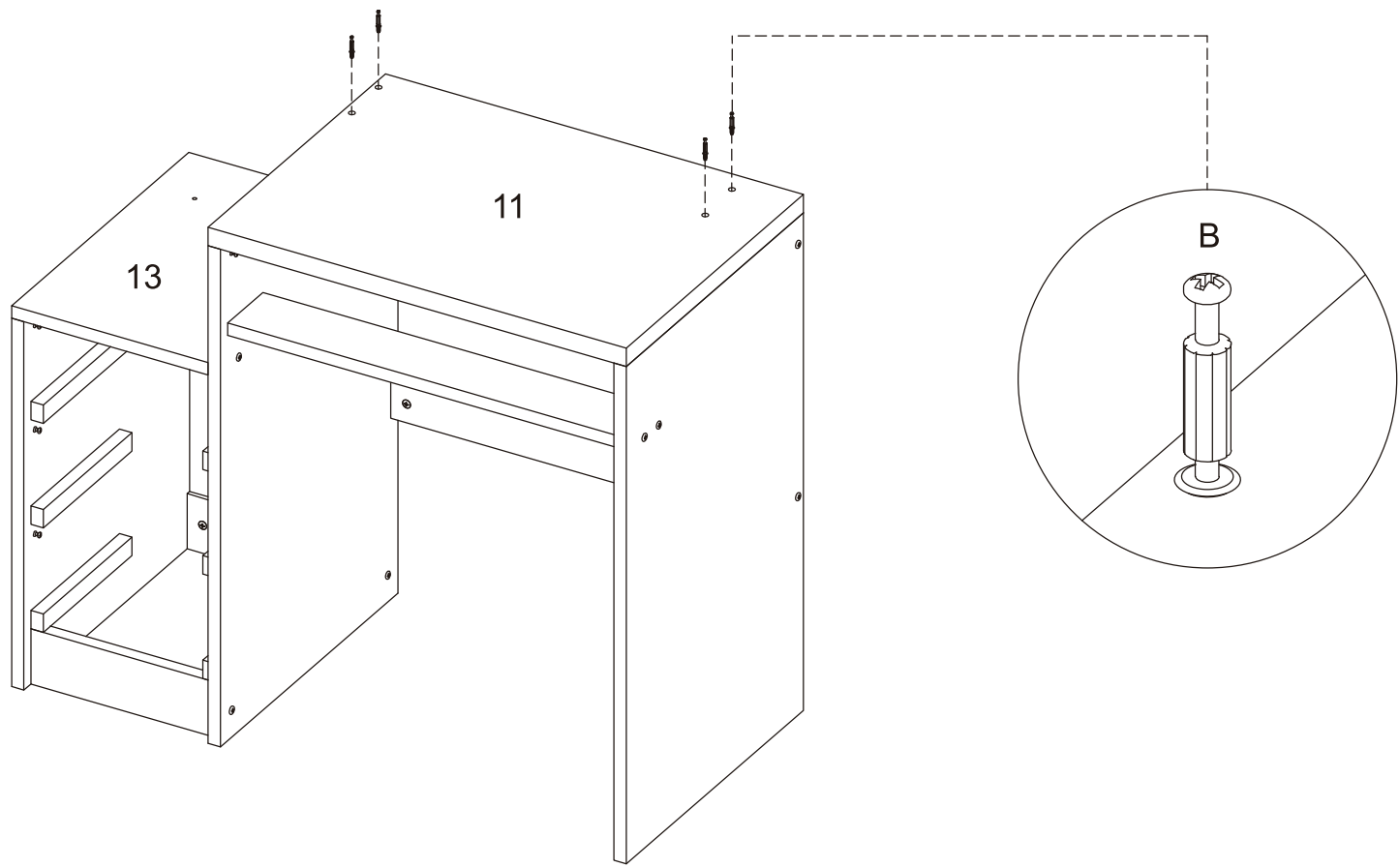
Step 25



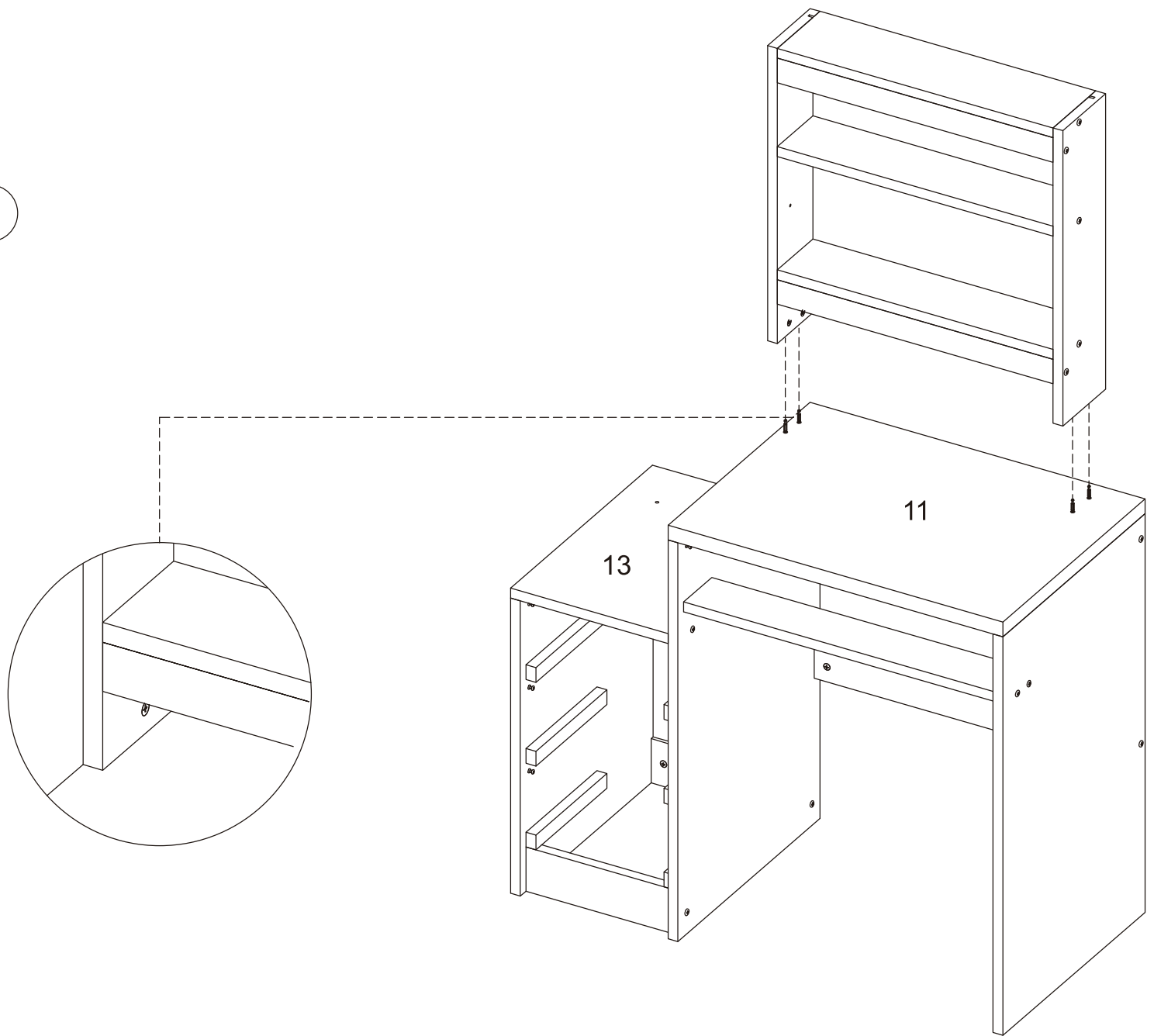
Step 26



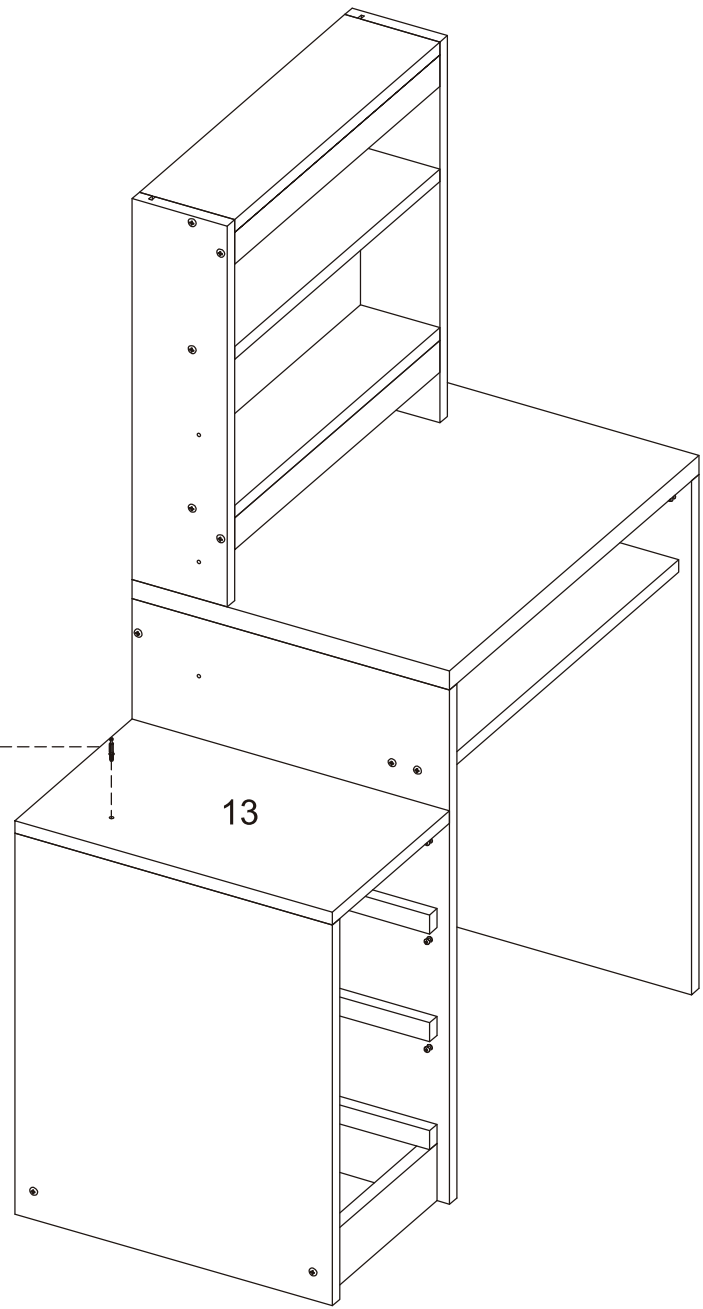
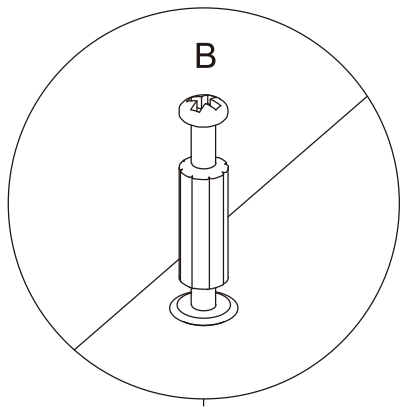
Step 27



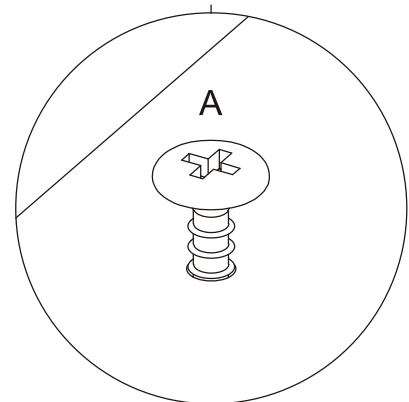
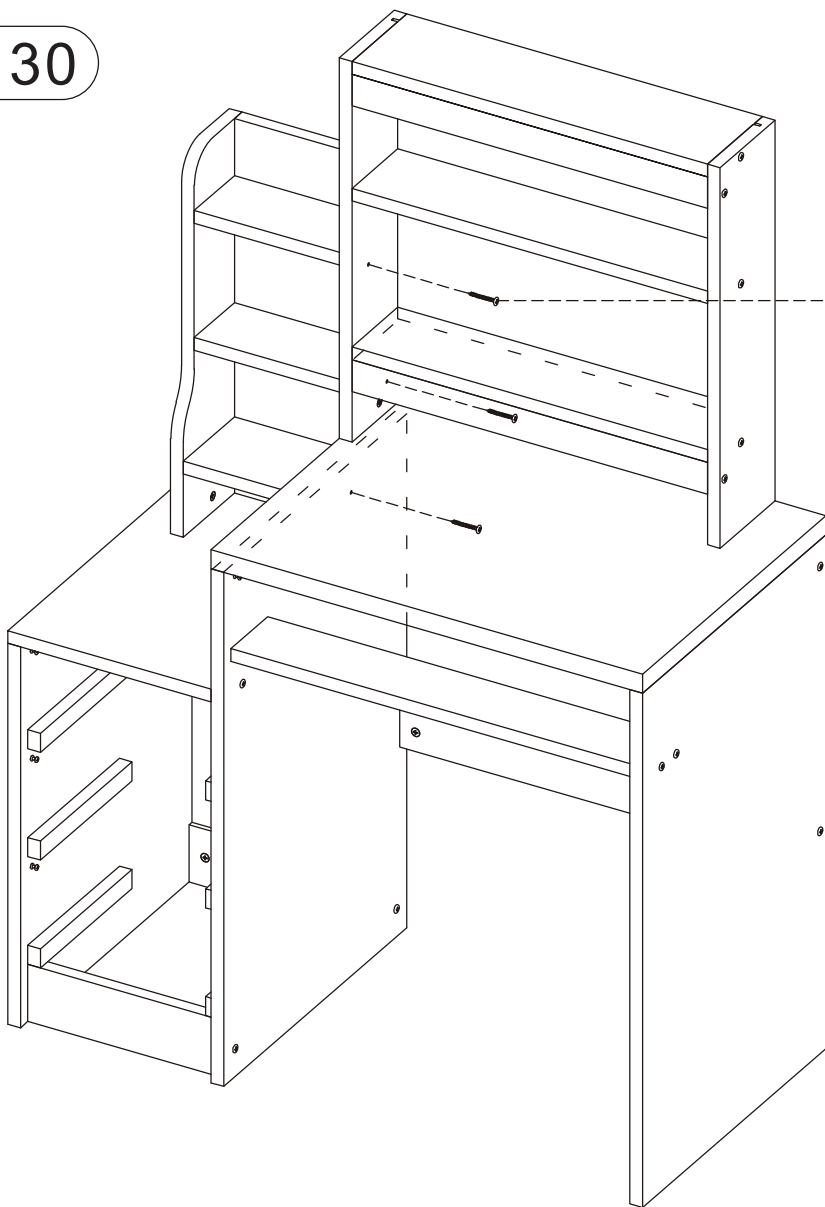
Step 28



Step 29

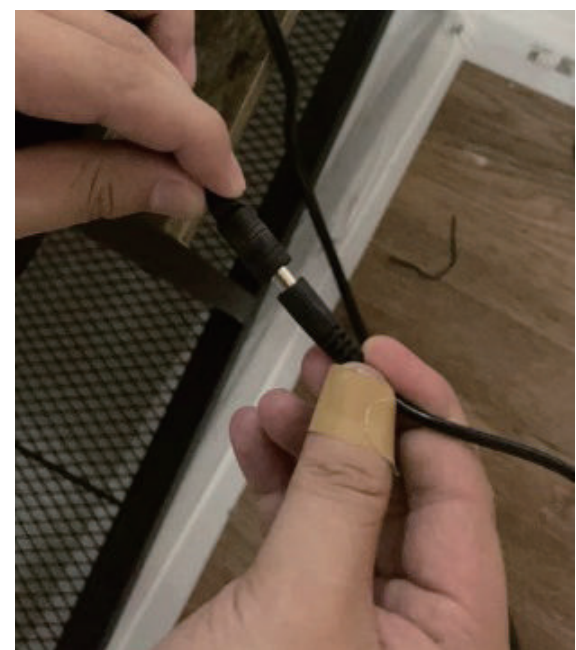
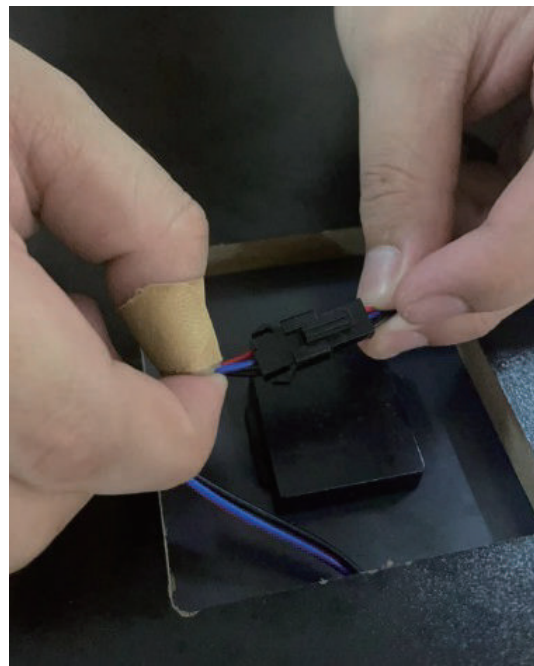
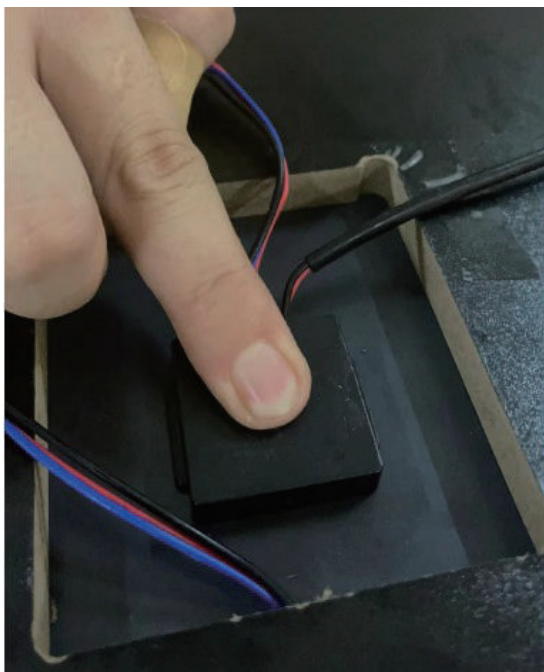
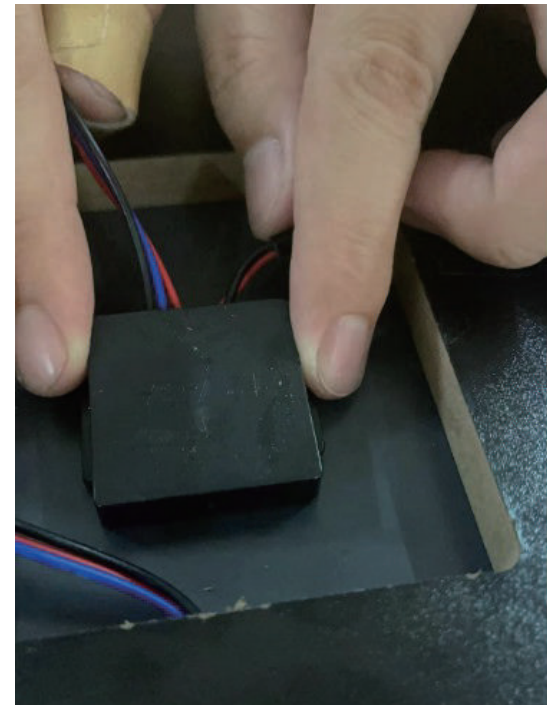
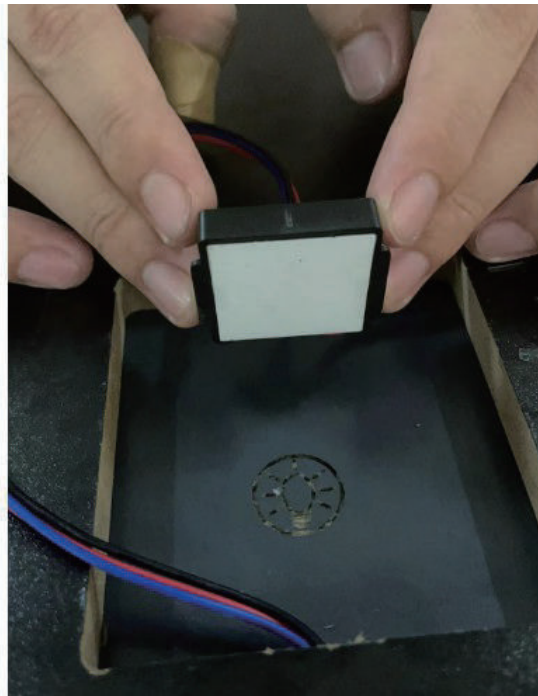
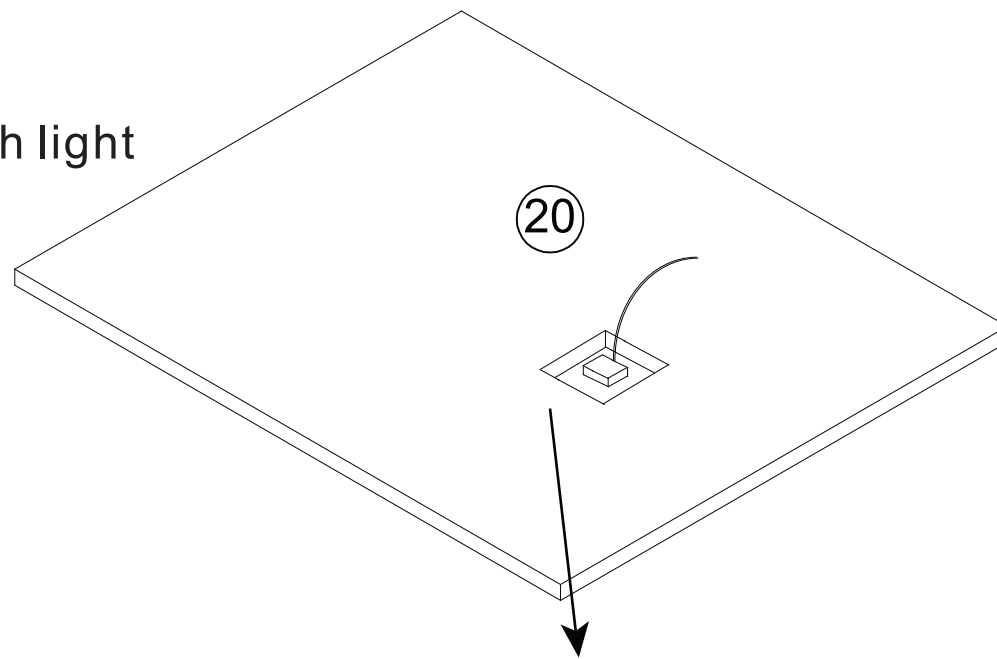


Step 30



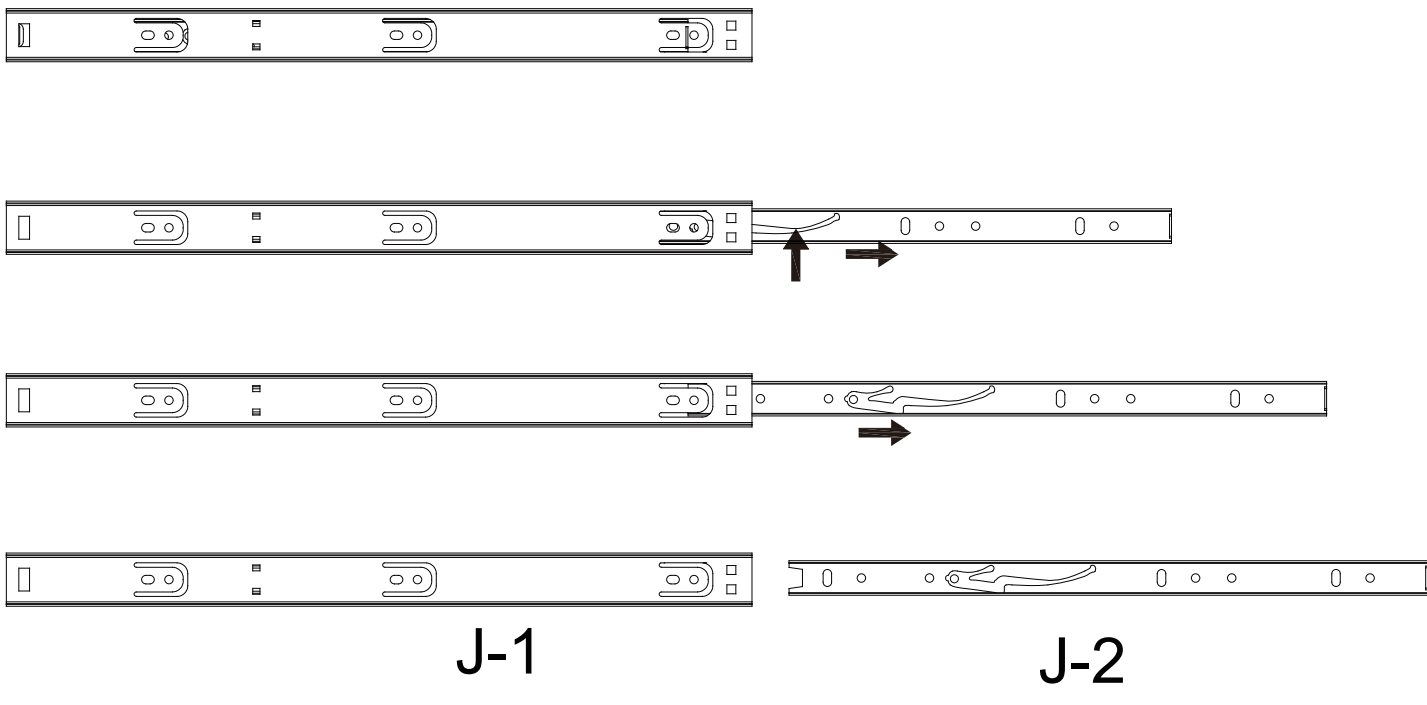
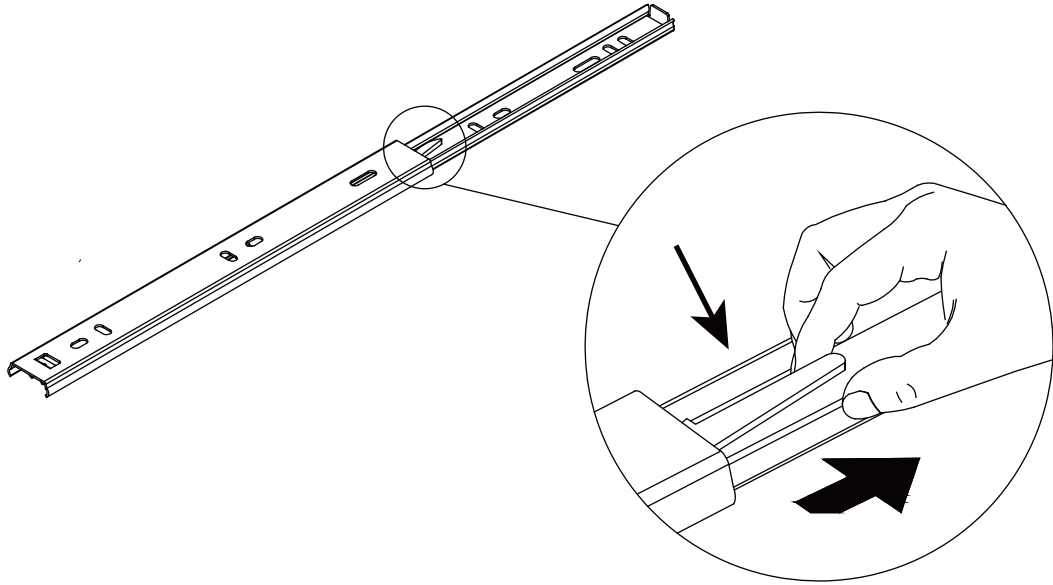
Step 31

For vanity table with light

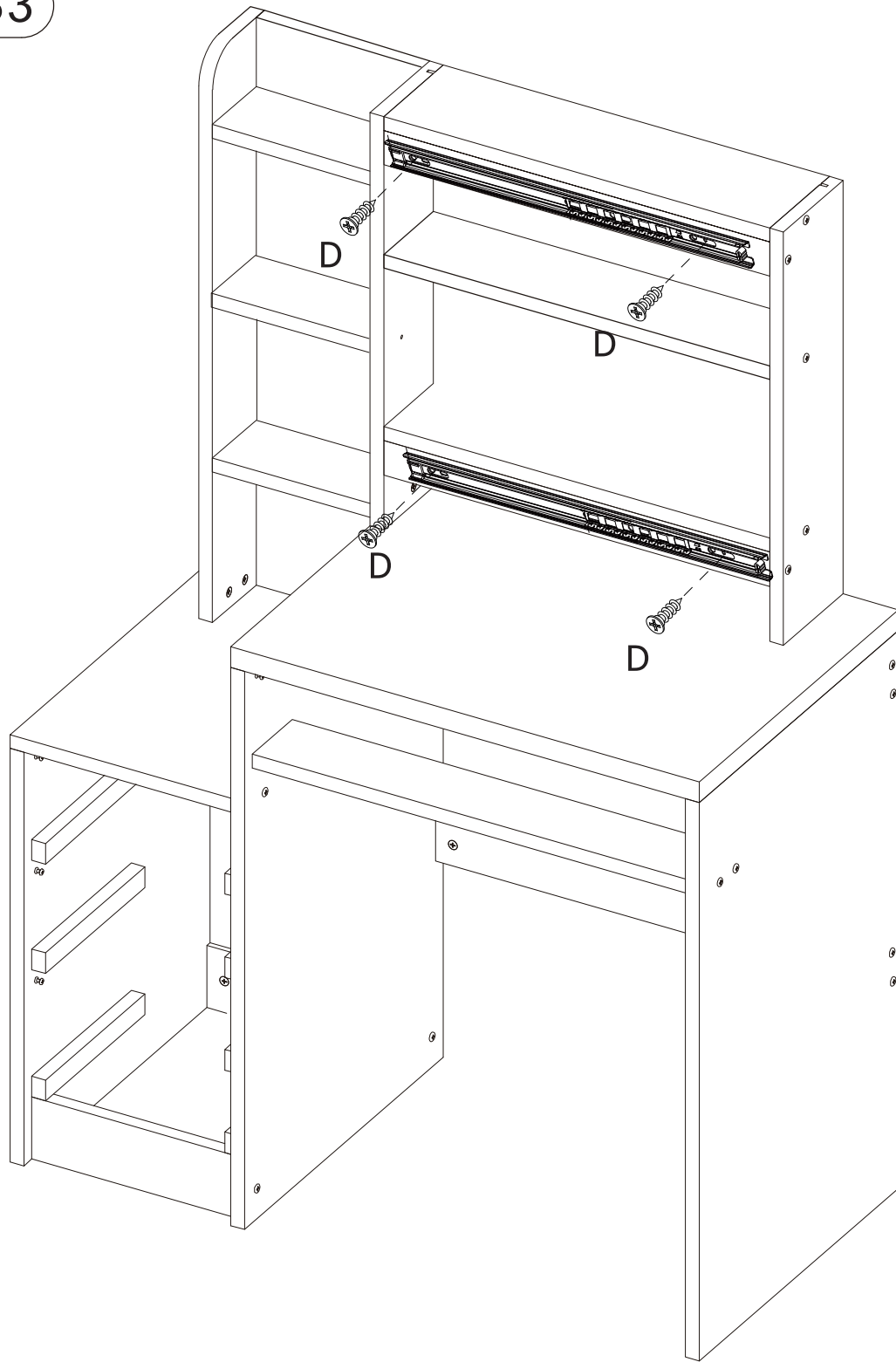


If your vanity table include a LED mirror light, please test the light in this step. Touch the switch button on the mirror to turn on the mirror light, click the switch button to change the color of the light, and long press the switch button to adjust the brightness. If the switch button is not sensitive, you can check whether the touch switch is tightly attached to the mirror back as shown in the diagram. If it is not tightly attached, please use your fingers to press the touch switch to the designated position and check if the connecting wire is OK.

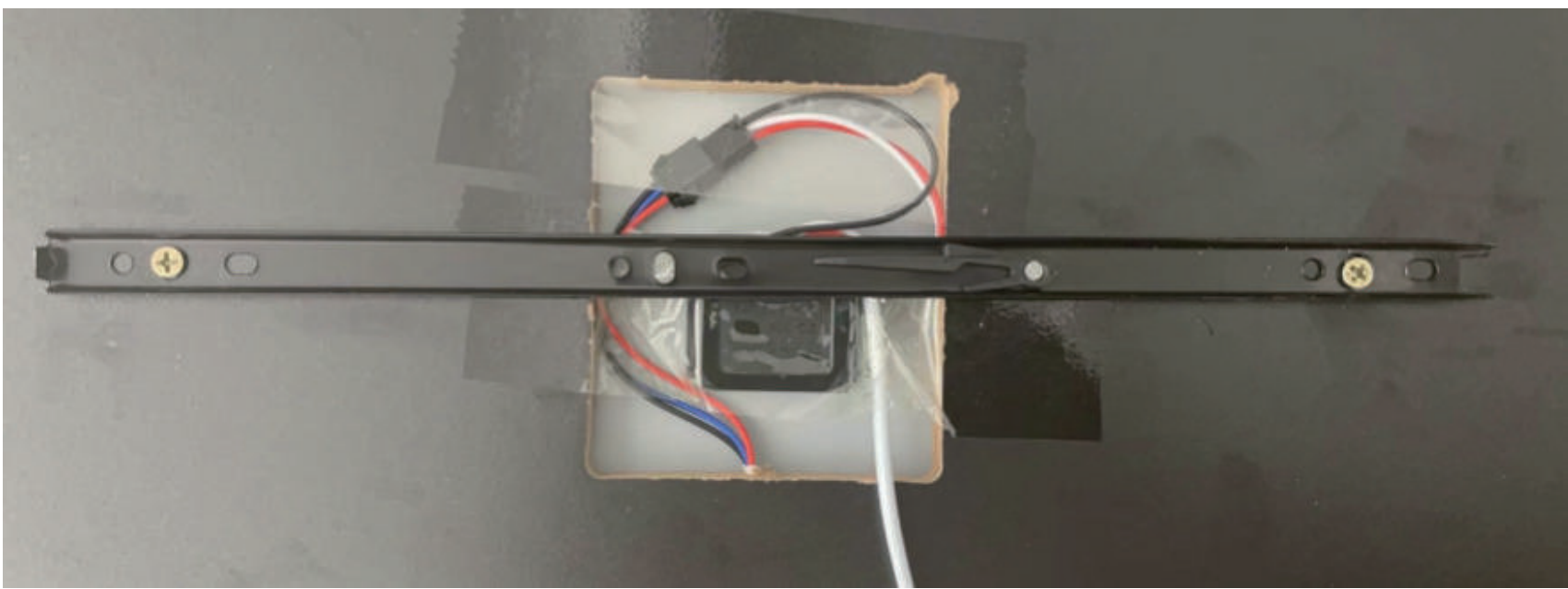
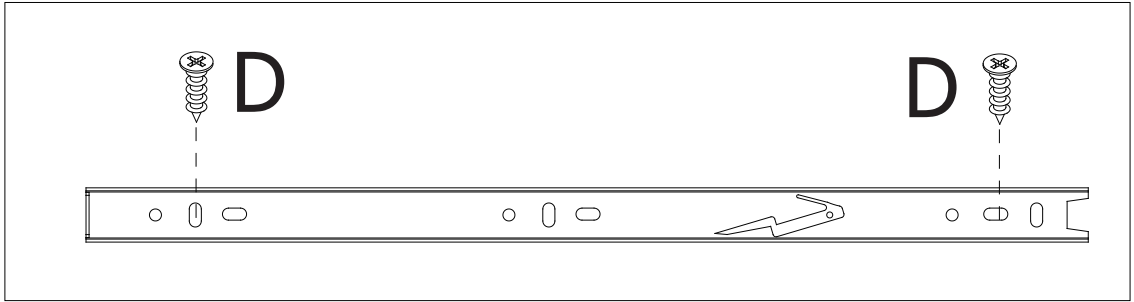
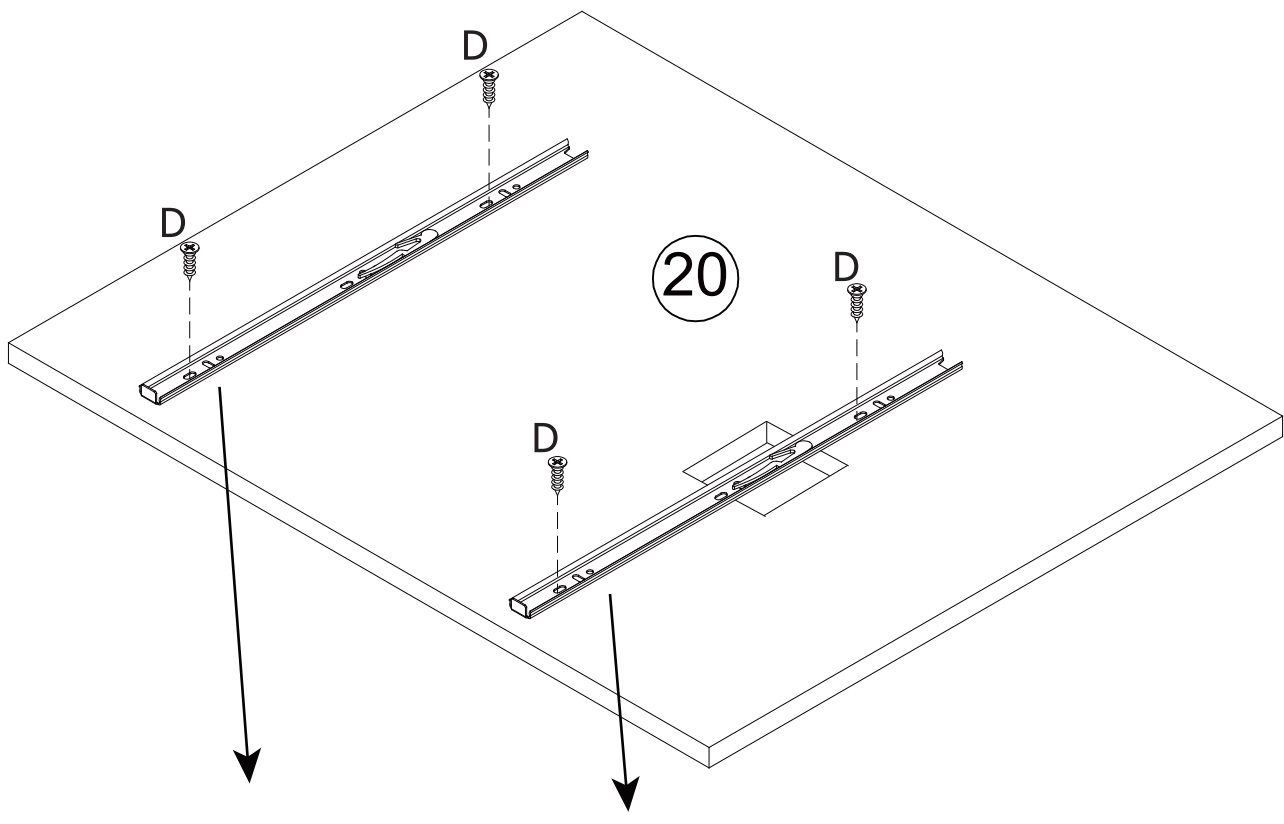
Step 32



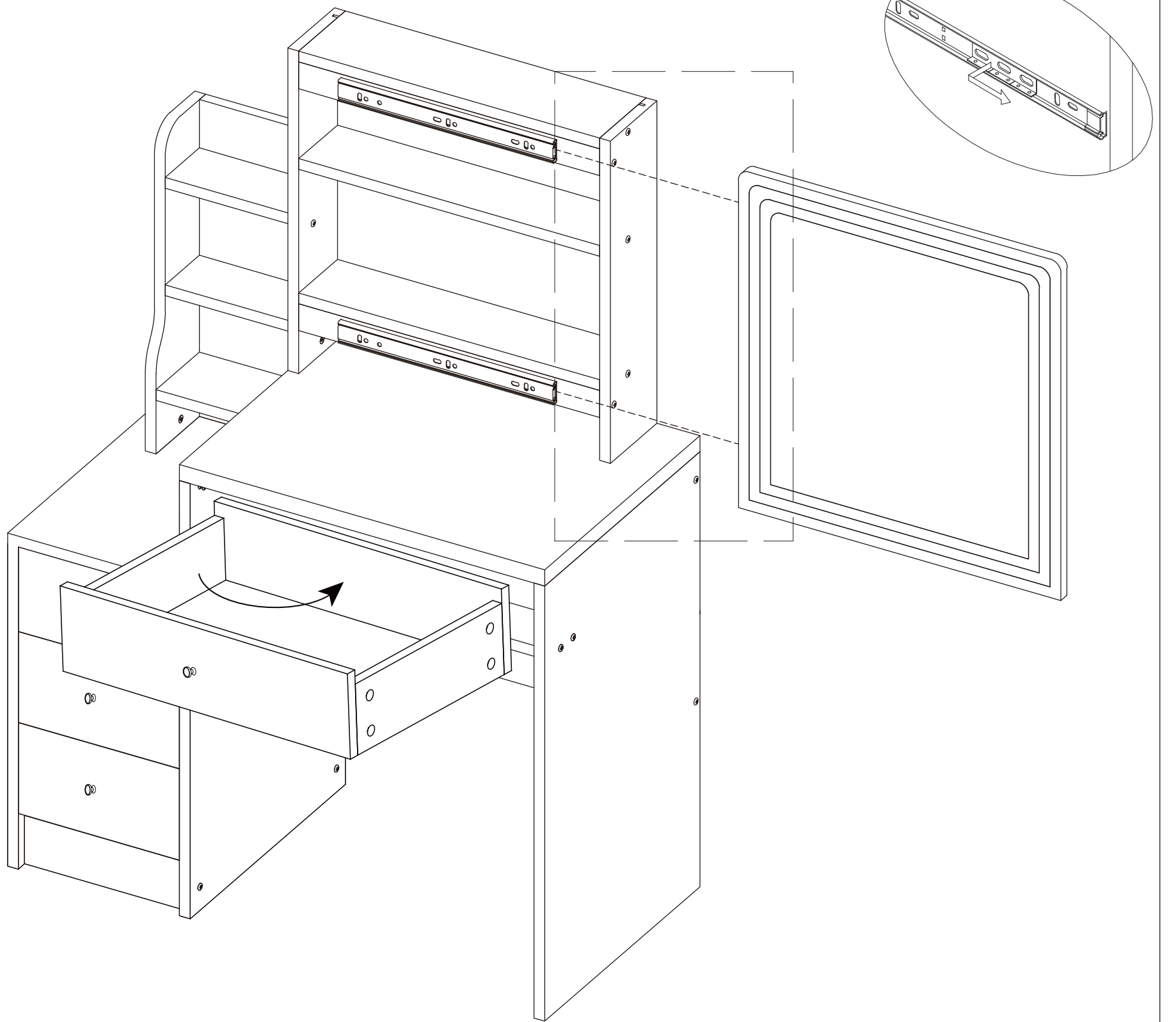
Step 33



Step 34



Step 35

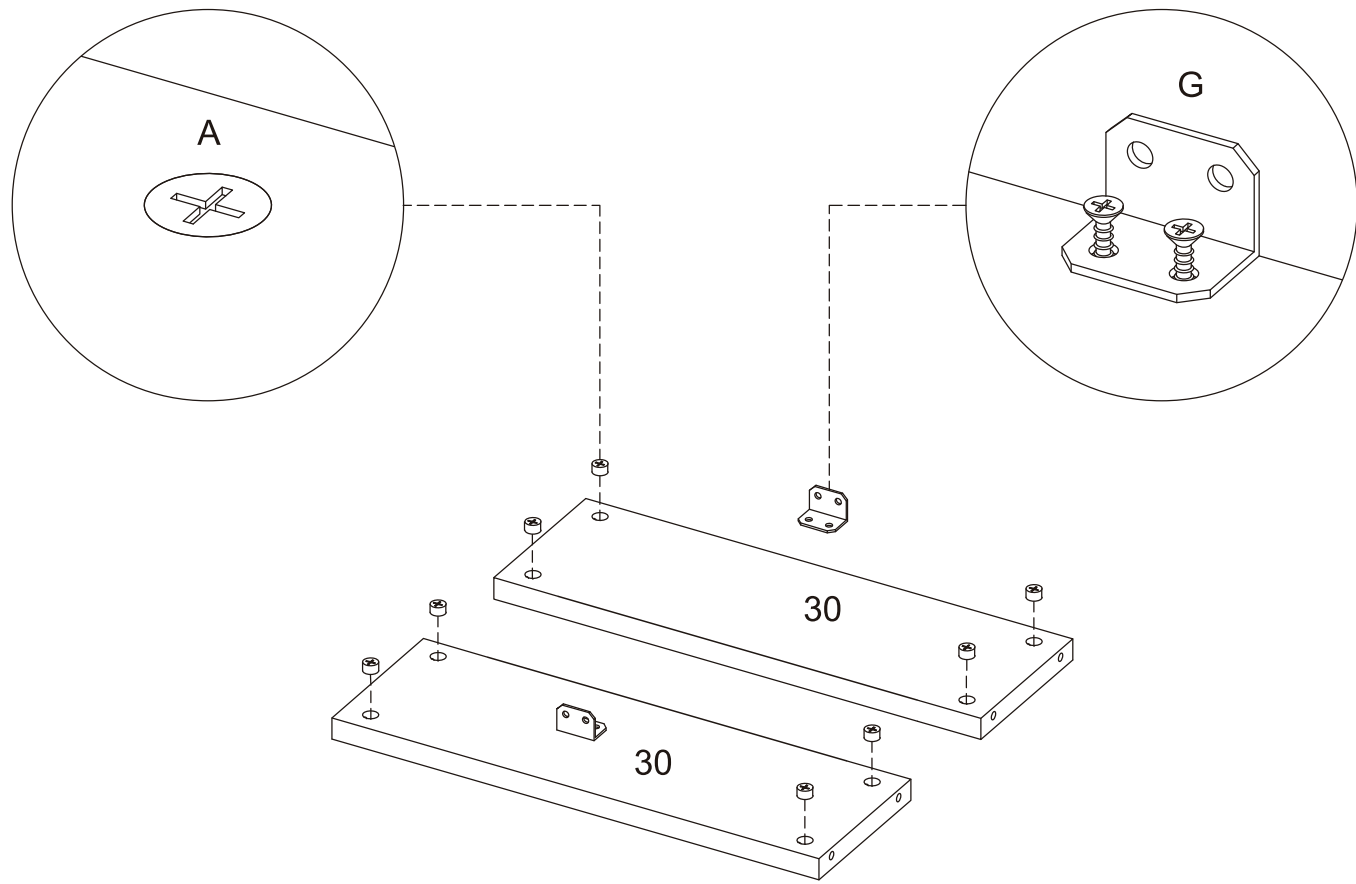


Please note that when placing the drawer in, the drawer positioning pin will block the drawer. Therefore, please follow the diagram to first insert the inner edge of the drawer using a concave method, and then push the drawer flat.

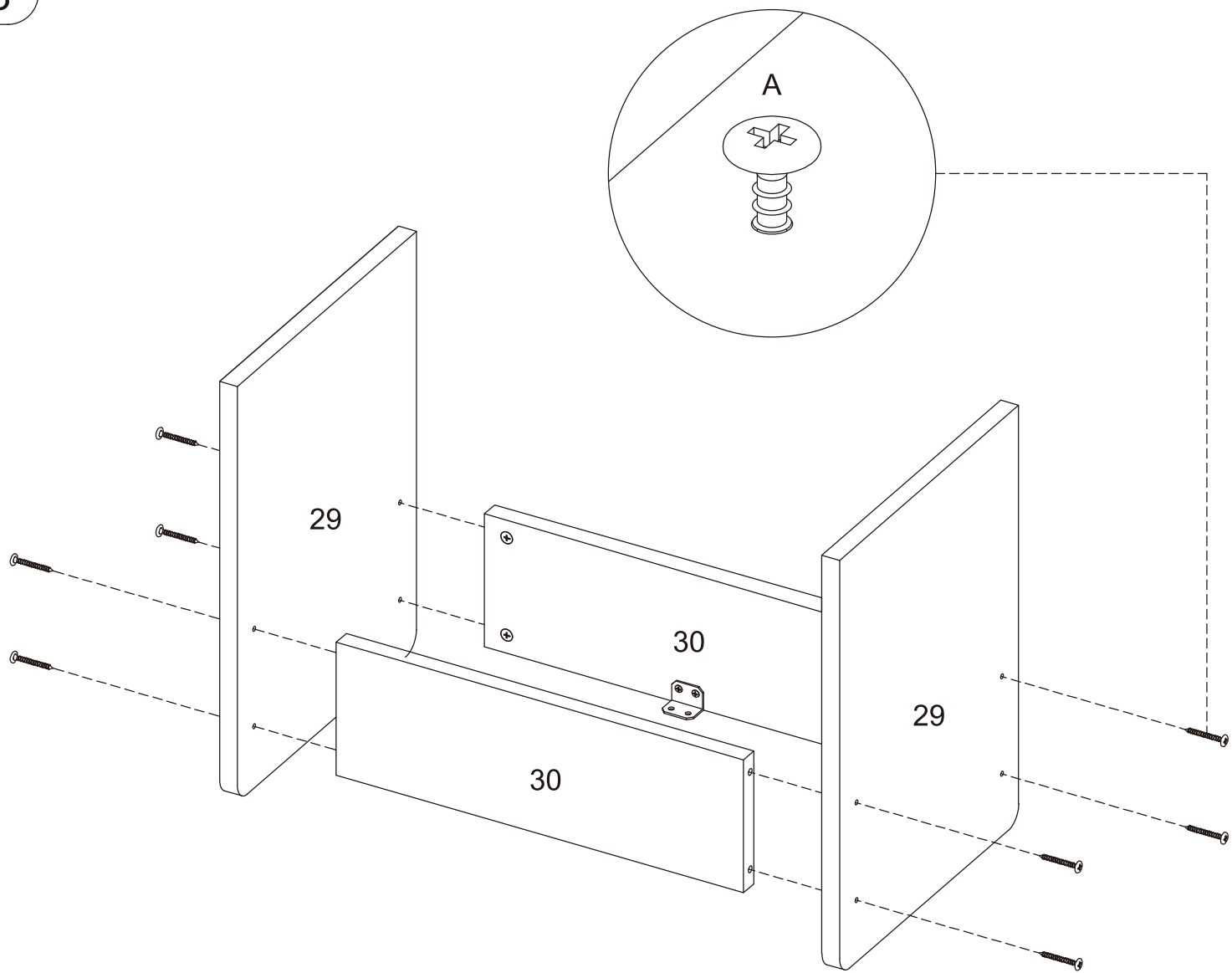
Step 36



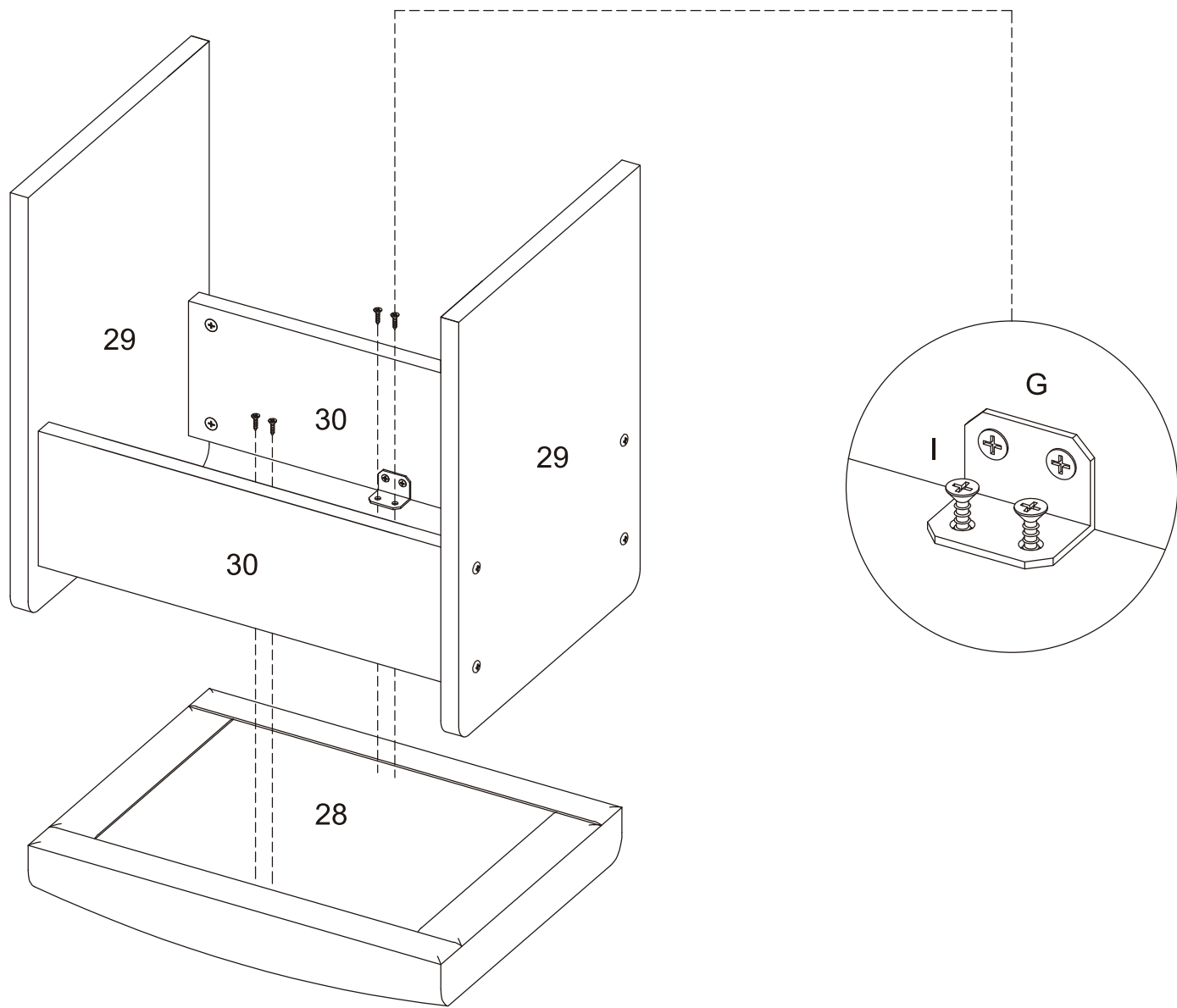
Step 37



Step 38



Step 39



Step 40

